

MicroRAPTOR iMR350-CLI Reference

MICRO RAPTOR®

Intelligent Cyber Secure Platform



Version: 1.50-3, Date: August 2024



© 2024 iS5 Communications Inc. All rights reserved.

Copyright Notice

© 2024 iS5 Communications Inc. All rights reserved.

No Part of this publication may be reproduced in any form without the prior written consent of iS5 Communications Inc. (iS5).

Trademarks

iS5Com is a registered trademark of iS5. All other trademarks belong to their respective owners.

Regulatory Compliance Statement

Product(s) associated with this publication complies/comply with all applicable regulations. For more details, refer to the Technical Specifications.

Warranty

iS5 warrants that all products are free from defects in material and workmanship for a specified warranty period from the invoice date (5 years for most products). iS5 will repair or replace products found to be defective within this warranty period including shipping costs. This warranty does not cover product modifications or repairs done by persons other than iS5-approved personnel, and this warranty does not apply to products that are misused, abused, improperly installed, or damaged by accident. Refer to the Technical Specifications for the actual warranty period(s) of the product(s) associated with this publication. Warranty certificate available at: <https://is5com.com/warranty>

Disclaimer

Information in this publication is intended to be accurate. iS5 shall not be responsible for its use or infringements on third-parties because of the use of this publication. There may occasionally be unintentional errors on this publication. iS5 reserves the right to revise the contents of this publication without notice.

Contact Information

iS5 Communications Inc. 5895 Ambler Dr., Mississauga, Ontario, L4W 5B7 Tel: 1+ 905-670-0004 Website: <http://www.is5com.com/> Technical Support: E-mail: support@is5com.com Sales Inquiries: [Phoenix Contact Sales Subsidiaries](#)

End User License Agreement (EULA)

TERMS AND CONDITIONS FOR SOFTWARE PROGRAMS AND EMBEDDED SOFTWARE IN PRODUCTS

1) EULA

All products which consist of or include software (including operating software for hardware supplied by Supplier and software in object code format that is embedded in any hardware) and/or any documentation shall be subject to the End User License Agreement (“EULA”) attached hereto as Exhibit A. Buyer shall be deemed to have agreed to be bound by all of the terms, conditions and obligations therein and shall ensure that all subsequent purchasers and licensees of such products shall be further bound by all of the terms, conditions and obligations therein. For software and/or documentation delivered in connection with these Terms and Conditions, that is not produced by Supplier and which is separately licensed by a third party, Buyer’s rights and responsibilities with respect to such software or documentation shall be governed in accordance with such third party’s applicable software license. Buyer shall, on request, enter into one or more separate “click-accept” license agreements or third party license agreements in respect thereto. Supplier shall have no further obligations with respect to such products beyond delivery thereof. Where Buyer is approved by Supplier to resell products, Buyer shall provide a copy of the EULA and applicable third party license agreements to each end user with delivery of such products and prior to installation of any software. Buyer shall notify Supplier promptly of any breach or suspected breach of the EULA or third party license agreements and shall assist Supplier in efforts to preserve Supplier’s or its supplier’s intellectual property rights including pursuing an action against any breaching third parties. For purposes of these terms and conditions: “software” shall mean scripts, programs, macros, computer programs, application programming and other interfaces, tools and other instructions and sets of instructions for hardware to follow, including SQL and other query languages, hypertext markup language (“html”) and other computer mark-up languages; “hardware” shall mean mainframes, personal computers, servers, client/server stations, network equipment, routers, semi-conductor chips, communication lines and other equipment; and “documentation” shall mean documentation supplied by Supplier relating to the development, use, installation, implementation, integration, configuration, operation, modification, maintenance or support of any software.

2) INTELLECTUAL PROPERTY

Buyer shall not alter, obscure, remove, cancel or otherwise interfere with any markings (including without limitation any trademarks, logos, trade names, or labelling applied by Supplier). Buyer acknowledges that Supplier is the sole owner of the trademarks used in association with the products and that Buyer has no right, title or interest whatsoever in such trademarks and any goodwill associated therewith and that all goodwill associated with such trademarks is owned by and shall enure exclusively to and for the benefit of Supplier. Further, Buyer shall not represent in any manner that it has acquired any ownership rights in such trademarks or other intellectual property of Supplier. Supplier will defend any claim against Buyer that any iS5Com branded product supplied under these Terms and Conditions infringes third party patents or copyrights (a “Patent Claim”) and will indemnify Buyer against the final judgment entered by a court of competent jurisdiction or any settlements arising out of a Patent Claim, provided that Buyer: (1) promptly notifies Supplier in writing of the Patent Claim; and (2) cooperates with Supplier in the defence of the Patent Claim, and grants Supplier full and exclusive control of the defence and settlement of the Patent Claim and any subse-

quent appeal. If a Patent Claim is made or appears likely, Buyer agrees to permit Supplier to procure for Buyer the right to continue using the affected product, or to replace or modify the product with one that is at least functionally equivalent. If Supplier determines that none of those alternatives is reasonably available, then Buyer will return the product and Supplier will refund Buyer's remaining net book value of the product calculated according to generally accepted accounting principles. Supplier has no obligation for any Patent Claim related to: (1) compliance with any designs, specifications, or instructions provided by Buyer or a third party on Buyer's behalf; (2) modification of a product by Buyer or a third party; (3) the amount or duration of use which Buyer makes of the product, revenue earned by Buyer from services it provides that use the product, or services offered by Buyer to external or internal Buyers; (4) combination, operation or use of a product with non-Supplier products, software or business processes; or (5) use of any product in any country other than the country or countries specifically authorized by Supplier.

3) EXPORT CONTROLS AND SANCTIONS

- a) In these Term and Conditions, "**Export Controls and Sanctions**" means the export control and sanctions laws of each of Canada, the US and any other applicable country, territory or jurisdiction including the United Nations, European Union and the United Kingdom, and any regulations, orders, guides, rules, policies, notices, determinations or judgements issued thereunder or imposed thereby.
- b) Supplier products, documentation and services provided under these Terms and Conditions may be subject to Canadian, U.S. and other country Export Controls and Sanctions. Buyer shall accept and comply with all applicable Export Control and Sanctions in effect and as amended from time to time pertaining to the export, re-export and transfer of Supplier's products, documentation and services. Buyer also acknowledges and agrees that the export, re-export or transfer of Supplier products, documentation and services contrary to applicable Export Controls and Sanctions may be a criminal offence.
- c) For greater certainty, Buyer agrees that (i) it will not directly or indirectly export, re-export or transfer Supplier products, documentation and services provided under these Terms and Conditions to any individual or entity in violation of any aforementioned Export Controls and Sanctions; (ii) it will not directly or indirectly export, re-export or transfer any such products, documentation and services to any country or region of any country that is prohibited by any applicable Export Controls and Sanctions or for any of the following end-uses, or in any of the following forms unless expressly authorized by any applicable government permit issued under or otherwise expressly permitted by applicable Export Controls and Sanctions:
 - i) For use that is directly or indirectly related to the research, design, handling, storage, operation, detection, identification, maintenance, development, manufacture, production or dissemination of chemical, biological or nuclear weapons, or any missile or other delivery systems for such weapons, space launch vehicles, sounding rockets or unmanned air vehicle systems;
 - ii) Technical information relating to the design, development or implementation of the cryptographic components, modules, interfaces, or architecture of any software; or
 - iii) Source code or pseudo-code, in any form, of any of the cryptographic components, modules, or interfaces of any software.
- d) Buyer confirms that it is not (i) listed as a sanctioned person or entity under any Export Controls and Sanctions list of designated persons, denied persons or specially designated

nationals maintained by the Canadian Department of Foreign Affairs, Trade and Development, the Canadian Department of Public Safety and Emergency Preparedness, the U.S. Office of Foreign Assets Control of the U.S. Department of the Treasury, the U.S. Department of State, the U.S. Department of Commerce, United Nations Security Council, the European Union or any EU member state, HM's Treasury, or any other department or agency of any of the aforementioned countries or territories, or the United Nations or any other country's sanctions-related list; (ii) owned or controlled by such person or entity; or (iii) acting in any capacity on behalf of or for the benefit of such person or entity. Buyer also confirms that this applies equally to any of its affiliates, joint venture partners, subsidiaries and to the best of Buyer's knowledge, any of its agents or representatives.

Exhibit A: End User License Agreement

IMPORTANT – READ CAREFULLY: iS5 Communications Inc. (“**iS5Com**”) licenses the iS5Com Materials (as defined below) subject to the terms and conditions of this end user license agreement (the “**EULA**”). BY SELECTING “ACCEPT” OR OTHERWISE EXPRESSLY AGREEING TO THIS EULA, BY DOWNLOADING, INSTALLING OR USING THE SOFTWARE, OR BY USING THE HARDWARE (AS DEFINED BELOW), ALL OF THE TERMS AND CONDITIONS CONTAINED IN THIS EULA BECOME LEGALLY BINDING ON THE CUSTOMER. This End User License Agreement (the “**EULA**”) supplements the Terms and Conditions or such other terms and conditions between iS5Com or, if applicable, a reseller for iS5Com, and the Customer (as defined below) (in either case, the “**Contract**”).

1) DEFINITIONS

*“**Confidential Information**” means all data and information relating to the business and management of iS5Com, including iS5Com Materials, trade secrets, technology and records to which access is obtained hereunder by the Customer, and any materials provided by iS5Com to the Customer, but does not include any data or information which: (a) is or becomes publicly available through no fault of the Customer; (b) is already in the rightful possession of the Customer prior to its receipt from iS5Com; (c) is already known to the Customer at the time of its disclosure to the Customer by iS5Com and is not the subject of an obligation of confidence of any kind; (d) is independently developed by the Customer; (e) is rightfully obtained by the Customer from a third party; (e) is disclosed with the written consent of iS5Com; or (f) is disclosed pursuant to court order or other legal compulsion.*

- *“**Customer**” means the licensee of the iS5Com Software pursuant to the Contract.*
- *“**iS5Com Documentation**” means Documentation supplied by or on behalf of iS5Com under the Contract relating to the development, use, installation, implementation, integration, configuration, operation, modification, maintenance or support of iS5Com Software, or iS5Com Firmware.*
- *“**iS5Com Firmware**” means iS5Com Software in object code format that is embedded in iS5Com Hardware.*
- *“**iS5Com Hardware**” means Hardware supplied by or on behalf of iS5Com under the Contract.*
- *“**iS5Com Materials**” means, collectively, the iS5Com Software and the iS5Com Documentation.*

- **“i5Com Software”** means Software supplied by or on behalf of i5Com under the Contract. For greater certainty, i5Com Software shall include all operating Software for i5Com Hardware, and i5Com Firmware.
- **“Documentation”** means written instructions and manuals of a technical nature.
- **“EULA”** means this End User License Agreement.
- **“Hardware”** means hardware, mainframes, personal computers, servers, client/server stations, network equipment, routers, semi-conductor chips, communication lines and other equipment.
- **“Intellectual Property Rights”** means any and all proprietary rights provided under: (i) patent law; (ii) copyright law (including moral rights); (iii) trade-mark law; (iv) design patent or industrial design law; (v) semi-conductor chip or mask work law; or (vi) any other statutory provision or common law principle applicable to this EULA, including trade secret law, which may provide a right in either Hardware, Software, Documentation, Confidential Information, ideas, formulae, algorithms, concepts, inventions, processes or know-how generally, or the expression or use of such Hardware, Software, Documentation, Confidential Information, ideas, formulae, algorithms, concepts, inventions, processes or know-how trade secret law; any and all applications, registrations, licenses, sub-licenses, franchises, agreements or any other evidence of a right in any of the foregoing; and all licenses and waivers and benefits of waivers of the intellectual property rights set out herein, all future income and proceeds from the intellectual property rights set out herein, and all rights to damages and profits by reason of the infringement of any of the intellectual property rights set out herein.
- **“Software”** means scripts, programs, macros, computer programs, application programming and other interfaces, tools and other instructions and sets of instructions for hardware to follow, including SQL and other query languages, hypertext markup language (“html”) and other computer mark-up languages.
- **“Third Party License Terms”** means additional terms and conditions that are applicable to Third Party Software.
- **“Third Party Software”** means Software owned by any third party, licensed to i5Com and sublicensed to the Customer.
- **“Update”** means a supplemented or revised version of i5Com Software which rectifies bugs or makes minor changes or additions to the functionality of i5Com Software and is designated by i5Com as a higher release number from, for example, 6.06 to 6.07 or 6.1 to 6.2.

2) LICENSE

– 2.1 License Grant

The i5Com hereby grants to the Customer, subject to any Third Party License Terms, a non-exclusive, non-transferable, non-sublicensable right and licence to use i5Com Materials solely in object code format, solely for the Customer’s own business purposes, solely in accordance with this EULA (including, for greater certainty, subject to Section 6.1 of this EULA) and the applicable i5Com Documentation, and, in the case of i5Com Firmware, solely on i5Com Hardware on which i5Com Firmware was installed, provided that Customer may only install i5Com Software on such number of nodes expressly set out in the Contract.

– 2.2 License Restrictions

Except as otherwise provided in Section 2.1 above, the Customer shall not: (a) copy i55Com Materials for any purpose, except for the sole purpose of making an archival or back-up copy; (b) modify, translate or adapt the i55Com Materials, or create derivative works based upon all or part of such i55Com Materials; (c) assign, transfer, loan, lease, distribute, export, transmit, or sublicense i55Com Materials to any other party; (d) use i55Com Materials for service bureau, rent, timeshare or similar purposes; (e) decompile, disassemble, decrypt, extract, or otherwise reverse engineer, as applicable, i55Com Software or i55Com Hardware; (f) use i55Com Materials in a manner that uses or discloses the Confidential Information of i55Com or a third party without the authorization of such person; (g) permit third parties to use i55Com Materials in any way that would constitute breach of this EULA; or (h) otherwise use i55Com Materials except as expressly authorized herein.

– **2.3 Updates and Upgrades**

The license granted hereunder shall apply to the latest version of i55Com Materials provided to the Customer as of the effective date of this EULA, and shall apply to any Updates and Upgrades subsequently provided to the Customer by i55Com pursuant to the terms of this EULA. Customer shall only be provided with Updates and/or Upgrades if expressly set out in the Contract.

– **2.4 Versions**

In the event any Update or Upgrade includes an amended version of this EULA, Customer will be required to agree to such amended version in order to use the applicable i55Com Materials and such amended EULA shall be deemed to amend the previously effective version of the EULA.

– **2.5 Third Party Software**

Customer shall comply with any Third Party License Terms.

3) **OWNERSHIP**

– **3.1 Intellectual Property**

Notwithstanding any other provision of the Contract, i55Com and the Customer agree that i55Com is and shall be the owner of all Intellectual Property Rights in i55Com Materials and all related modifications, enhancements, improvements and upgrades thereto, and that no proprietary interests or title in or to the intellectual property in i55Com Materials is transferred to the Customer by this EULA. i55Com reserves all rights not expressly granted to the Customer under Section 2.1.

– **3.2 Firmware**

i55Com and the Customer agree that any and all i55Com Firmware in or forming a part of i55Com Hardware is being licensed and not sold, and that the words “purchase,” “sell” or similar or derivative words are understood and agreed to mean “license,” and that the word “Customer” as used herein are understood and agreed to mean “licensee,” in each case in connection with i55Com Firmware.

– **3.3 Third Party Software**

Certain of i55Com Software provided by i55Com may be Third Party Software owned by one or more third parties and sublicensed to the Customer. Such third parties retain ownership of and title to such Third Party Software, and may directly enforce the Customer’s obligations hereunder in order to protect their respective interests in such Third Party Software.

4) **CONFIDENTIALITY**

– **4.1 Confidentiality**

The Customer acknowledges that i55Com Materials contain Confidential Information of i55Com and that disclosure of such Confidential Information to any third party could cause great loss to i55Com. The Customer agrees to limit access to i55Com Materials to those employees or officers of the Customer who require access to use i55Com Materials as permitted by the Contract and this EULA and shall ensure that such employees or officers keep the Confidential Information confidential and do not use it otherwise than in accordance with the Contract and this EULA. The obligations set out in this Section 4 shall continue notwithstanding the termination of the Contract or this EULA and shall only cease to apply with respect to such part of the Confidential Information as is in, or passes into, the public domain (other than in connection with the Customer's breach of this EULA) or as the Customer can demonstrate was disclosed to it by a third person who did not obtain such information directly or indirectly from i55Com.

– **4.2 Irreparable Harm**

Without limiting any other rights or remedies available to i55Com in law or in equity, the Customer acknowledges and agrees that the breach by Customer of any of the provisions of this EULA would cause serious and irreparable harm to i55Com which could not adequately be compensated for in damages and, in the event of a breach by the Customer of any of such provisions, the Customer hereby consents to an injunction against it restraining it from any further breach of such provisions.

– **4.3 Security**

*Any usernames, passwords and/or license keys ("**Credentials**") provided to you by i55Com shall be maintained by the Customer and its representatives in strict confidence and shall not be communicated to or used by any other persons. THE CUSTOMER SHALL BE RESPONSIBLE FOR ALL USE OF CREDENTIALS, REGARDLESS OF THE IDENTITY OF THE PERSON(S) MAKING SUCH USE, AND WITHOUT LIMITING THE GENERALITY OF THE FOREGOING, IS5COM SHALL HAVE NO RESPONSIBILITY OR LIABILITY IN CONNECTION WITH ANY UNAUTHORIZED USE OF CREDENTIALS.*

5) **LIMITATION OF LIABILITY**

– **5.1 Disclaimer**

EXCEPT FOR THE EXPRESS WARRANTIES MADE BY IS5COM IN THE CONTRACT, (A) IS5COM MAKES NO AND HEREBY EXPRESSLY DISCLAIMS, AND THE PARTIES HERETO HEREBY EXPRESSLY WAIVE AND EXCLUDE TO THE FULLEST EXTENT PERMITTED BY APPLICABLE LAWS, AND THE CUSTOMER AGREES NOT TO SEEK OR CLAIM ANY BENEFIT THEREOF, IN EACH CASE, ALL WARRANTIES, CONDITIONS, REPRESENTATIONS OR INDUCEMENTS (AND THERE ARE NO OTHER WARRANTIES, CONDITIONS, REPRESENTATIONS OR INDUCEMENTS, ORAL OR WRITTEN, EXPRESS OR IMPLIED, STATUTORY OR OTHERWISE, OF ANY KIND WHATSOEVER SET OUT HEREIN) WITH RESPECT TO THE IS5COM MATERIALS, INCLUDING AS TO THEIR MERCHANTABILITY OR FITNESS FOR A PARTICULAR PURPOSE, DESIGN OR CONDITION, COMPLIANCE WITH THE REQUIREMENTS OF ANY APPLICABLE LAWS, CONTRACT OR SPECIFICATION, NON- INFRINGEMENT OF THE RIGHTS OF OTHERS, ABSENCE OF LATENT DEFECTS, OR AS TO THE ABILITY OF THE IS5COM MATERIALS TO MEET CUSTOMER'S REQUIREMENTS OR TO OPERATE OF ERROR

FREE; AND (B) THE IS5COM MATERIALS ARE PROVIDED “AS IS” WITHOUT WARRANTY OR CONDITION OF ANY KIND.

– **5.2 Limitation of Liability**

EXCEPT AS EXPRESSLY PROVIDED IN THE CONTRACT, IN NO EVENT SHALL IS5COM BE LIABLE TO THE CUSTOMER OR ANY THIRD PARTY FOR ANY DIRECT, INDIRECT, SPECIAL OR CONSEQUENTIAL DAMAGES ARISING UNDER OR IN CONNECTION WITH THIS EULA EVEN IF ADVISED OF THE POSSIBILITY THEREOF. THIS LIMITATION SHALL APPLY IRRESPECTIVE OF THE NATURE OF THE CAUSE OF ACTION, DEMAND OR CLAIM, INCLUDING BREACH OF CONTRACT, NEGLIGENCE, TORT OR ANY OTHER LEGAL THEORY, AND SHALL SURVIVE A FUNDAMENTAL BREACH OR BREACHES AND/OR FAILURE OF THE ESSENTIAL PURPOSE OF THIS EULA.

6) **TERM**

– **6.1 Term**

Customer’s right to use i55Com Materials shall terminate at such time as set out in the Contract or upon termination or expiration of the Contract, in each case at which time this EULA shall be deemed to terminate.

– **6.2 Survival**

Each of Sections 1, 2.4, 3, 4, 5, 6.2, and 7 shall survive termination of the EULA.

7) **MISCELLANEOUS**

– **7.1 Miscellaneous**

This EULA is (together with, as applicable, any click-wrap license agreement or Third Party License Terms pertaining to the use of i55Com Materials) the entire agreement between the Customer and i55Com pertaining to the Customer’s right to access and use i55Com Materials, and supersedes all prior or collateral oral or written representations or agreements related thereto. Notwithstanding anything to the contrary contained in the Contract, to the extent of any inconsistency between this EULA and the Contract, or any such applicable click-wrap agreement, this EULA shall take precedence over the Contract and such click-wrap agreement. In the event that one or more of the provisions is found to be illegal or unenforceable, this EULA shall not be rendered inoperative but the remaining provisions shall continue in full force and effect. The parties expressly disclaim the application of the United Nations Convention for the International Sale of Goods. This EULA shall be governed by the laws of the Province of Ontario, Canada, and federal laws of Canada applicable therein. In giving effect to this EULA, neither party will be or be deemed an agent of the other for any purpose and their relationship in law to the other will be that of independent contractors. Any waiver of any terms or conditions of this EULA: (a) will be effective only if in writing and signed by the party granting such waiver, and (b) shall be effective only in the specific instance and for the specific purpose for which it has been given and shall not be deemed or constitute a waiver of any other provisions (whether or not similar) nor shall such waiver constitute a continuing waiver unless otherwise expressly provided. The failure of either party to exercise, and any delay in exercising, any of its rights hereunder, in whole or in part, shall not constitute or be deemed a waiver or forfeiture of such rights, neither in the specific instance nor on a continuing basis. No single or partial exercise of any such right shall preclude any other or further exercise of such right or the exercise of any other right. Customer shall not assign or transfer this EULA or any of its rights or obligations hereunder, in whole or in part, without the prior written consent of

iS5Com. The division of this EULA into sections and the insertion of headings are for convenience of reference only and shall not affect the construction or interpretation of this EULA. References herein to Sections are to sections of this Agreement. Where the word “include”, “includes” or “including” is used in this EULA, it means “include”, “includes” or “including”, in each case, “without limitation”. All remedies provided for iS5Com under this EULA are non-exclusive and are in addition, and without prejudice, to any other rights as may be available to of iS5Com, whether in law or equity. By electing to pursue a remedy, of iS5Com does not waive its right to pursue any other available remedies. The parties acknowledge that they have required this Agreement to be written in English. Les parties aux présentes reconnaissent qu’elles ont exigé que la présente entente soit rédigée en anglais.

– **7.2 Subject to Change**

*Terms and Conditions are subject to change. For the latest information please visit:
<https://is5com.com/terms-and-conditions/>*

Contents

Chapter: 1	Introduction	1
	Scope	1
	CLI Document Convention	1
	Keyboard Conventions and Shortcuts	2
Chapter: 2	Command Line Interface	3
	Context-Sensitive Help	3
	CLI Command Modes	4
	Stopping Long Running Commands	12
Chapter: 3	System Commands	14
	help	14
	clear screen	15
	configure terminal	15
	listuser	16
	lock	16
	username	17
	enable password	20
	alias	22
	access-list	23
	exec-timeout	26
	logout	26
	end	27
	exit	28
	enableuser	28
	clear line vty	29
	password	29
	set user	31
	set minimum password length	32
	set cli pagination	32
	set banner-name	33
	set prompt-name	34

factory reset35
show privilege35
show line36
show aliases37
show history37
show eula38
show users38
set cli-console access39
set mgmt-port access39
set external-storage access40

Chapter: 4

System Features42
ip address42
switchport47
default ip address allocation protocol47
ip http48
login authentication52
set ip http53
authorized-manager ip-source54
mtu57
loopback local58
archive download-sw58
interface60
mac-addr63
system63
snmp trap link-status64
monitor session65
show monitor67
rspan-vlan68
mirror cpu-port69
show cpu-mirroring71
write71
copy73
set linkup-delay76
linkup-delay76
show linkup-delay77
firmware switch78
firmware upgrade79
clock set80
erase82
cli console82
flowcontrol83
shutdown85
debug interface85
debug-logging88
rollback89

shutdown89
start91
set switch91
hostname95
set designated-uplink95
mac-learn-rate97
ports99
set port-role	100
clear interfaces	100
clear counters	102
show ip interface	103
show authorized-managers	105
show interfaces	105
show system-specific port-id	116
set custom-param	117
show custom-param	118
show env	118
show system	120
show flow-control	121
show debug-logging	122
show debugging	123
show clock	124
show running-config	124
show health status	127
show mac-learn-rate	128
set timer speed	129
audit-logging	129
show audit-logging	132
shutdown ufd	134
set ufd	134
ufd group	135
internal-lan	138
show internal-lan	138
show iftype protocol deny table	139
login block-for	140
show ufd	141
feature telnet	142
show telnet server	143
set http	143
show http	144
http redirect	145
set split-horizon	146
shutdown split-horizon	147
show split-horizon	147
speed	148
sleep	149

rate-limit pause	150
cpu controlled learning	151
traffic-separation control	151
mdix auto	152
set port	153
config-restore	154
set mgmt-port routing	155
set switch-name	155
packet	156
show packet	158
alias	159
port-security-state	159
default-value save	160
set mirroring	161
default	162
port	164
web-session timeout	165
clear http server statistics	166
show web-session timeout	166
show config-restore status	167
clear protocol counters	168
dump core-file	168
dump	169
debug iss	171
show nvram	172
debug np module	174
description	176
counters	177
show l3vlan interfaces counters	177
set entity physical-index	178
show entity	181
gratuitous arp	184
show grat-arp	185
show opensource-packages	187
show firmware information	187
show system information	188
show iss-health status	189
show env all	190
show alarm status	191
set cli pagination on	191
mst	193
Chapter: 5 RADIUS	195
radius-server host	195
set radius	197
show radius	198

	debug radius	199
Chapter: 6	TACACS201
	tacacs-server	201
	show tacacs	204
	debug tacacs	205
Chapter: 7	SSH207
	ssh	207
	show ssh	208
	show ssh-configurations	209
	show ip ssh	209
	ip ssh	210
	ip ssh pubkey-chain	212
	debug ssh	212
Chapter: 8	SSL214
	show ssl server-cert	214
	show ip http	215
	ip http	216
	crypto pki keygen	219
	crypto pki csrgen	221
	crypto pki import	221
	ip http secure crypto key	223
	no crypto pki	224
	show crypto PKI	225
	show crypto map	227
Chapter: 9	SNTP228
	sntp	228
	set sntp	228
	show sntp	236
	debug sntp	238
Chapter: 10	PTP240
	ptp	240
	ptp (interfaces)	244
	show ptp	244
	debug ptp	247
Chapter: 11	SNMPv3249
	Supported MIBs	249
	SNMP Traps	272

disable snmpagent	283
enable snmpagent	284
show mib	284
show snmp	285
show snmp-server	290
snmp	290
snmpget mib	306
snmpgetnext mib	306
snmp-server	307
snmpset mib	309
snmpwalk mib	310

Chapter: 12

Syslog	312
Severity	312
Priority	313
Facility	313
Example of Valid Syslog Message	314
Factory Default Syslog Configuration Values	314
Logging Mechanisms Types and Default Configuration	314
Local Logging Mechanism 1	314
CLI Commands for Local Logging Method 1	315
Local Logging Mechanism 2	316
CLI Commands for Creating Multiple Syslog Files	316
Logging to Flash Files CLI Commands	316
Flash Space Restriction Mechanisms	317
Warning Messages	317
Error Messages	318
USB option for copying logs to external USB flash drive	318
CLI Command for Listing File Contents of Flash	319
Example Configuration For Local (Flash) Logging	319
Firmware Upgrade – Logging of the Progress	319
Remote Logging	320
Remote Logging Syslog CLI Commands	320
Remote Logging Syslog Facility Level Configuration	321
Example 1 for Configuration for Remote Logging	322
Example 2 for Configuration for Remote Logging	322
Syslog List	322
logging	346
syslog format	350
secure logging crypto key	354
mail-server	355
sender	357
cmdbuffs	357
clear logs	358
syslog	358
show logging	361

	show flash logs	362
	show email alerts	362
	show syslog	363
	show logging-server	364
	show logging-file	365
	show mail-server	365
	smtp authentication	366
Chapter: 13	TCP	368
	tcp max retries	368
	show tcp	369
Chapter: 14	UDP	373
	show udp	373
Chapter: 15	STP	375
	Redundant Ring Technology	376
	HSR Protocol	376
	Media Redundancy Protocol	377
	MRP Rings	377
	MRP Ring Size	378
	Media Redundancy Automanager	379
	More Information	379
	clear spanning-tree detected protocols	379
	clear spanning-tree	380
	debug customer spanning-tree	383
	debug spanning-tree	386
	errordisable	390
	instance	391
	name	392
	revision	392
	set performance-data	393
	set performance-data-status	394
	show spanning-tree	394
	shutdown spanning-tree	411
	spanning-tree	411
	spanning-tree	419
Chapter: 16	MRP	428
	Redundancy	428
	MRP	429
	MRP Function	429
	Normal Operation: Ring Closed	430
	Failure Detection: Ring Open	430

	Alarms supported in MRP	431
	MRP status change	432
	MRRM condition/detected	432
	mrp	433
	mrp ringid	433
	mrp vid	434
	mode	435
	priority	436
	uuid	437
	show mrp	438
Chapter: 17	HSR-PRP440
	Configuration Commands	440
	Informational Commands	455
	Clear Commands	461
Chapter: 18	LA463
	channel-group	463
	channel-protocol	465
	debug etherchannel	465
	debug lacp	466
	default port	467
	defaulted-state-threshold	469
	hw-failure recovery-threshold	469
	lacp admin-key	470
	lacp port-identifier	471
	lacp port-priority	472
	lacp rate	473
	lacp system-identifier	474
	lacp system-priority	475
	lacp timeout	476
	lacp wait-time	477
	port-channel max-ports	478
	port-channel	479
	same-state recovery-threshold	484
	set port-channel	485
	show etherchannel	486
	show interfaces etherchannel	491
	show lacp	494
	shutdown port-channel	496
Chapter: 19	LLDP497
	clear lldp	498
	debug lldp	498
	lldp	502

	lldp	505
	set lldp	511
	set lldp-med	512
	show lldp	513
Chapter: 20	PNAC	521
	aaa authentication dot1x default	521
	dot1x	522
	dot1x	526
	dot1x	529
	debug dot1x	536
	show dot1x	537
	set nas-id	541
Chapter: 21	VLAN	543
	base	543
	clear garp counters	544
	clear mac-address-table	545
	clear vlan statistics	547
	debug garp	549
	debug vlan	551
	forward-all	554
	forward-unregistered	557
	group restricted	560
	interface range	561
	mac-address-table	563
	mac-map	567
	map protocol	569
	map subnet	572
	name	574
	port	575
	ports	577
	port-security trap-syslog	581
	port-security violation	582
	protocol-vlan	583
	set filtering-utility-criteria	583
	set garp timer	584
	set gmrp	587
	set gvrp	588
	set mac-learning	589
	set packet-reflection	590
	set port	591
	set sw-stats	594
	set unicast-mac learning	595
	set vlan traffic-classes	596

show forward-all	597
show forward-unregistered	598
show garp timer	599
show gmrp statistics	601
show gvrp statistics	602
show mac-address-table	604
show port-security	611
show unicast port-security	613
show user-defined TPID	615
show vlan	616
shutdown garp	628
shutdown vlan	629
switchport	629
user-defined TPID	641
vlan	642
vlan	646
vlan	648
Nested VLAN with sub-switch CLI command	651
Nested VLAN with elementary CLI commands	653

Chapter: 22

IP	655
arp	655
clear ip arp	659
ip aggregate-route	659
ip arp max-retries	660
ip default-distance	661
ip default-ttl	662
ip directed-broadcast	662
ip echo-reply	663
ip mask-reply	664
ip path	664
ip proxy-arp	665
ip proxyarp-subnetoption	666
ip rarp client	667
ip redirects	667
ip unreachable	668
ipv4 enable	669
maximum-paths	669
ping	670
show ip default-distance	672
show ip proxy-arp	672
traffic-share	673
debug ip arp	674
ip route	675
ip routing	678
show ip arp	678

	show ip information	681
	show ip pmtu	682
	show ip proxy-arp	682
	show ip rarp	683
	show ip route	683
	show ip traffic	685
	traceroute	688
Chapter: 23	OSPF	690
	abr-type	690
	area	691
	ASBR Router	700
	bfd	701
	capability opaque	702
	compatible rfc1583	703
	debug ip ospf	703
	disable bfd	705
	default-information	705
	distance	707
	distribute-list	708
	enable bfd	708
	ip ospf	709
	neighbor	718
	network	720
	nsf ietf	723
	passive-interface	728
	redist-config	731
	redistribute	733
	route-calculation	735
	router ospf	736
	router-id	737
	set nssa asbr-default-route	738
	show ip ospf	739
	summary-address	750
	timers spf	752
Chapter: 24	DHCP	754
	DHCP Client	754
	DHCP Relay	754
	DHCP Server	755
	bootfile config-file	756
	clear ip dhcp client statistics	756
	clear ip dhcp relay statistics	757
	clear ip dhcp server statistics	758
	debug ip dhcp	758

default-router	761
dns-server	762
domain-name	763
excluded-address	764
host hardware-type	765
ip dhcp bootfile	769
ip dhcp client	769
ip dhcp client	773
ip dhcp dns-server	775
ip dhcp excluded-address	776
ip dhcp next-server	777
ip dhcp ntp-server	777
ip dhcp option	778
ip dhcp pool	779
ip dhcp relay	780
ip dhcp server	782
ip dhcp sip-server	783
ip dhcp snooping	784
ip dhcp snooping trust	784
ip dhcp snooping	785
lease	786
netbios-name	788
netbios-node	789
netbios-node-type	790
network	791
ntp-server	793
option	794
release dhcp	795
renew dhcp	796
service dhcp	798
service dhcp-relay	798
service dhcp-server	799
set dhcp-client enable / disable	800
show dhcp server	800
show ip dhcp client	801
show ip dhcp relay	803
show ip dhcp server	804
show ip dhcp snooping	807
show dhcp-client module status	808
sip-server	809
utilization threshold	810
vendor-specific	811
Chapter: 25	
RIP812
auto-summary	812
debug ip rip	813

	default-information	815
	default-metric	815
	distance	816
	distribute-list	817
	ip rip	818
	ip rip	825
	ip split-horizon	827
	neighbor	827
	network	828
	output-delay	830
	passive-interface	831
	redistribute	834
	rip	836
	router rip	837
	show ip rip	838
	timers basic	840
	version	841
Chapter: 26	BGP843
	address-family	843
	aggregate-address	844
	bgp	846
	clear ip bgp	862
	debug ip bgp	864
	default-information	864
	default-metric	865
	distance	866
	distribute-list	867
	do shutdown ip bgp	868
	ip bgp	869
	label-allocation-mode	871
	maximum-paths	871
	neighbor	872
	network	883
	redistribute	884
	restart-reason	887
	restart-support	888
	router bgp	888
	show bgp-version	889
	show ip bgp	890
	synchronization	891
	tcp-ao mkt key-id	892
Chapter: 27	IGMP Snooping894
	debug ip igmp snooping	894

	ip igmp snooping	896
	ip igmp snooping	899
	ip igmp snooping	906
	ip igmp	914
	ip igmp snooping clear counters	915
	mvr	916
	show ip igmp snooping	917
	shutdown snooping	927
	snooping leave-process	928
	snooping report-process	929
Chapter: 28	RMON	930
	rmon alarm	930
	rmon collection	932
	rmon event	935
	set rmon	936
	show rmon	937
Chapter: 29	QoS	942
	class-map	942
	clear meter-stats	943
	debug qos	944
	map	944
	match access-group	947
	meter	948
	meter-type	949
	mls qos	951
	policy-map	952
	priority-map	953
	qos pbit-preference	954
	qos	955
	queue	956
	queue-map	958
	scheduler	959
	set class	960
	set meter	961
	set meter-stats	967
	set policy	968
	shape-template	970
	show class-map	971
	show meter	972
	show policy-map	974
	show qos	975
	show queue	979
	show queue-map	981

	show queue-template	982
	show scheduler	983
	show shape-template	984
Chapter: 30	ACL985
	deny	985
	deny	991
	deny	994
	deny icmp	996
	deny tcp	1001
	deny udp	1007
	egress access-list	1011
	ip access-group	1012
	ip access-list	1013
	mac access-group	1014
	mac access-list	1015
	permit	1016
	permit	1022
	permit	1028
	permit icmp	1031
	permit tcp	1038
	permit udp	1044
	rate-limit	1051
	show access-lists	1052
	show egress access-list mode	1056
	show interfaces rate-limit	1057
	show interfaces storm-control	1057
	storm-control	1058
Chapter: 31	VRRP	1060
	VRRP Definitions	1060
	auth-deprecate	1062
	interface	1062
	router vrrp	1063
	track	1064
	vrrp	1066
	vrrp version	1069
	ip-tracking	1070
	show running vrrp	1073
	show track	1074
	show vrrp	1074
Chapter: 32	Alarms	1078
	Example	1079
	Alarm events supported	1079

set alarm	1081
alarm buffered	1081
alarm config-type	1082
show active alarms	1083
show alarm history	1084
show alarm supported	1086

Chapter: 33

Serial	1090
CLI Serial Command Modes	1090
add slave-id	1096
add udp-host	1097
baud-rate	1098
clear serial config	1099
clear serial counters	1101
connection-map interface	1101
data-bits	1102
debug serial	1103
description	1104
direction	1105
DSCP	1107
dynamic idle-timeout	1107
dynamic packet timeout	1108
dynamic packet char	1109
flow-control	1110
force half-duplex	1111
forward-exception	1112
hold-time	1113
interface serial	1114
keep-alive	1116
local client port	1117
local server	1118
loopback local	1120
max client connections	1120
max connections	1121
max pending messages	1122
max udp connections	1123
mtu	1123
packet char	1124
packet size	1126
packet timeout	1127
packetizing	1128
parity	1129
permanent-client	1130
post-tx delay	1131
re-connect timeout	1132
remote ipv4 address	1133

remove slave-id	1135
remove udp-host	1136
response-timeout	1137
role	1138
rx-to-tx delay	1139
serial connection-type	1139
show interfaces serial	1140
show serial profile	1141
shutdown	1145
stop-bits	1145
tcp buffering	1146
transmit-exception	1147
transport protocol	1148
turnaround delay	1149
enable mirroring interface	1150
disable mirroring	1153
serial-port-offline	1154

Introduction

1. Introduction

This document is designed to provide *MicroRAPTOR*'s users with the web pages' information required to configure the *MicroRAPTOR* product through the web interface. All web configurations and statistics related pages are illustrated with field descriptions and additional information to help the end user.

This document is designed to provide *MicroRAPTOR*'s users with the web pages' information required to configure the *MicroRAPTOR* product through the web interface. All web configurations and statistics related pages are illustrated with field descriptions and additional information to help the end user.

1.1. Scope

This document explains in detail all web screens and fields for the Web UI. It does not include the details of the HTTP (Hyper Text Transfer Protocol) server architecture, backend processing of web screens, or the protocol details.

This document explains in detail all web screens and fields for the Web UI. It does not include the details of the HTTP (Hyper Text Transfer Protocol) server architecture, backend processing of web screens, or the protocol details.

Convention	Usage	DESCRIPTION
Font as shown	Syntax of the CLI command	<code>configure terminal</code>

1.2. CLI Document Convention

CLI commands presentation will follow this CLI Document Convention. To provide a consistent user experience, this CLU document convention adhere to the Industry Standard CLI syntax. The font & format is also updated to show DITA / Structured Framemaker 2019 layout.

Convention	Usage	DESCRIPTION
Font as shown	Syntax of the CLI command	<code>configure terminal</code>

Convention	Usage	DESCRIPTION
< >	Parameter inside the brackets < > indicate the Input fields of syntax	<integer (100-1000)>
[]	Parameter inside [] indicate optional fields of syntax	show split-horizon [all]
{ }	Grouping parameters in the syntax	ip address <ip-address> [secondary {node0 node1}]
	Separating grouped parameters in the syntax	set http authentication-scheme {default basic digest}
Font & format as shown	Example & CLI command outputs	<pre>iS5comm# show split-horizon interface 1 Ingress Port VlanId StorageType Egress List ===== ===== ===== ===== Gi0/1 - Volatile Gi0/2,Gi0/3,Gi0/6</pre>
Note	Notes	NOTE: All commands are case-sensitive

1.3. Keyboard Conventions and Shortcuts

Some Keyboard Conventions and Shortcuts are as shown below:

- **Up Arrow / Down Arrow**—displays the previously executed command.
- **Backspace / Ctrl + H**—removes a single character.
- **TAB**—completes a command without typing the full word.
- **Alt + V**—pastes content.
- **Alt + C**—copies content.
- **Left Arrow / Right Arrow**—traverses the current line.
- **q**—aborts long running text output.

Command Line Interface

2. Command Line Interface

This chapter explains how to access Command Line Interface (*CLI*) for the switch and elaborates on the different *CLI* command modes. It also gives guidelines on context sensitive help.

The *CLI* can be used to configure switch from a console terminal connected to the serial port of the switch or from a remote terminal using TELNET.

The *CLI* supports a simple login authentication mechanism. The authentication is based on a username and password provided by the user during login. The user "admin" is created by default with password "admin".

NOTE: A new user can be created, or an existing user can be deleted, and the own password or password of the other users can be modified, only if login as a admin.

When login process is started, the username and password have to be given at the login prompt to access the *CLI* shell:

```
iS5Comm Login: admin
Password: admin
iS5Comm#
```

The Privileged Exec is now available for the user. The next section provides a detailed description of the various modes available for the switch.

CLI commands are also case sensitive.

CLI commands will be successful only if the dependencies are satisfied for a particular command that is issued. The general dependency is that the module specific commands are available only when the respective module is 'enabled' or they are used only in the suitable mode. Appropriate error messages will be displayed if the dependencies are not satisfied.

2.1. Context-Sensitive Help

The switch's *CLI* framework offers context-sensitive help. The user can type a question mark (?) anytime during a session to get help. The help can be invoked in several ways. It is not displayed as a whole and is available only for the specific token from where it is invoked

Examples of possible scenarios are given below.

When a user types a character followed immediately by a question mark (?), this displays the current possible tokens without a help string.

```
iS5Comm(config)# service?
```

```
dhcp                related configuration
dhcp-relay          DHCP relay related configuration
dhcp-server         DHCP server related configuration
```

Some of the basic concepts implemented for context-sensitive help are:

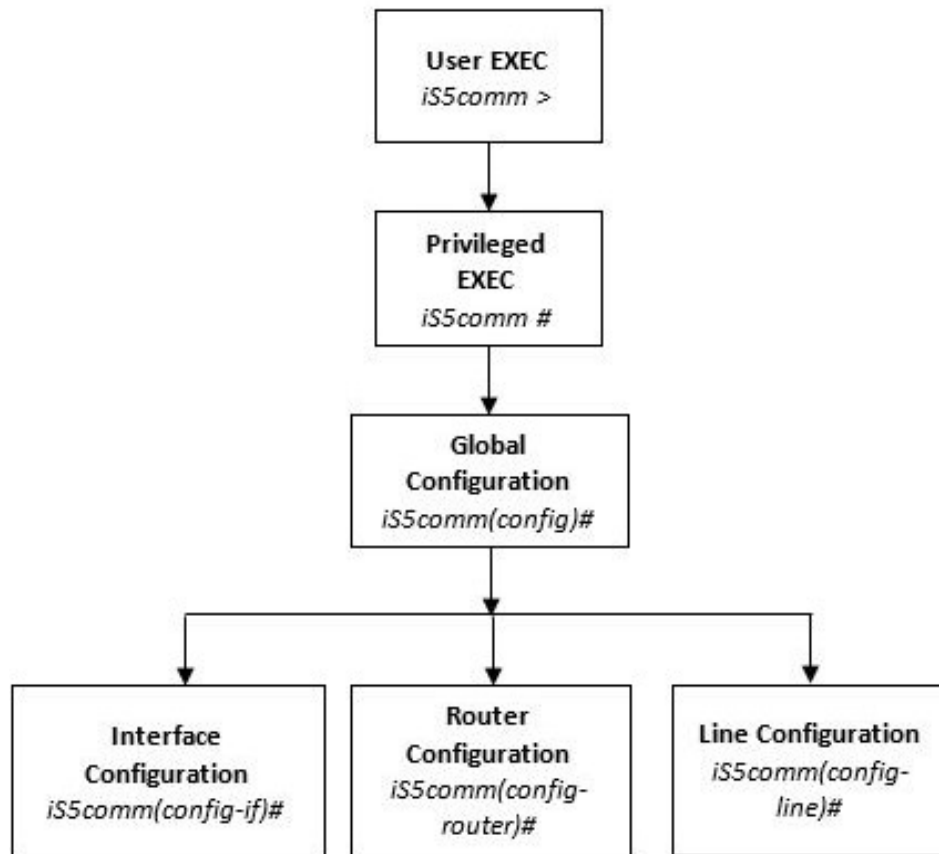
- The next possible tokens are listed only in the lexical order and not in the order as available in the syntax or command structure.
- All possible tokens are listed along with the help string, even though the command is ambiguous. Any ambiguous command and value range errors are taken care only during the execution of the command.
- The help tokens provided within <> brackets denote that the user should input values of specified format. For example, <string(32)> represents that the user should input a string of size varying from 1 to 32.
- The help tokens provided within () brackets denotes that the user should input only the values represented. For example, (1-4094) represents that the user should input value within the mentioned range alone.
- The format is directly provided as help token for some non-keyword such as IP address, IP mask, MAC address and so on. For example, aa:aa:aa:aa:aa:aa represents that a MAC address of this Format should be provided.
- Only the most commonly used format is provided as help token for some non-keywords such as IPv6 address. But the command supports most of the valid formats. For example, AAAA::BBBB represents the IPv6 address, but the command will accept the format AAAA:B::BBBB.
- The help token <CR> along with help string explaining the operation of the command is displayed if the command can be executed at that point (errors are handled only during the execution).

2.2. CLI Command Modes

Depending on the *CLI* mode, iS5Comm prompt will be specific. This cannot be changed by the end user. For example, when the command mode is Global Configuration, the prompt display will be `iS5Comm(config)#`.

The Hierarchical structure of the command modes is shown below. See them in the figure below.

Figure 1: CLI Command Modes



User Exec Mode

Prompt	Access method	Exit Method
iS5Comm>	This is the initial mode to start a session.	logout

Privileged Exec Mode

Prompt	Access method	Exit Method
iS5Comm#	The User EXEC mode command <code>enable</code> is used to enter the Privileged EXEC Mode	To return from the Privileged EXEC mode to User EXEC mode, the command <code>disable</code> is used.

Global Configuration Mode

Prompt	Access method	Exit Method
iS5Comm (config) #	The Privileged EXEC mode command <code>configure terminal</code> is used to enter the Global Configuration Mode.	To return from the Global Configuration Mode to Privileged Mode, the command <code>exit</code> is used.

Interface Configuration Mode

Prompt	Access method	Exit Method
iS5Comm (config-if) #	The Global Configuration mode command <code>interface <interface-type><interface-id></code> is used to enter the Interface Configuration Mode.	To return from the Interface Configuration mode to Global Configuration Mode, the command <code>exit</code> is used. To exit from the Interface Configuration mode to Privileged EXEC Mode, the command <code>end</code> is used.

Port Channel Interface Configuration

Prompt	Access method	Exit Method
iS5Comm (config-if) #	The Global Configuration mode command <code>interface port <port channel-id></code> is used to enter the Port Channel Interface Configuration Mode.	To return from the Port Channel Interface Configuration mode to Global Configuration Mode, the command <code>exit</code> is used. To exit from the Port Channel Interface Configuration mode to Privileged EXEC Mode, the command <code>end</code> is used.

VLAN Interface Configuration Mode

Prompt	Access method	Exit Method
iS5Comm (config-if) #	The Global Configuration mode command <code>interface vlan <vlan id></code> is used to enter the Port Channel Interface Configuration Mode.	To return from the VLAN Interface Configuration mode to Global Configuration Mode, the command <code>exit</code> is used. To exit from the VLAN Interface Configuration mode to Privileged EXEC Mode, the command <code>end</code> is used.

UFD Configuration Mode

Prompt	Access method	Exit Method
iS5Comm (config-if) #	The Global Configuration mode command <code>ufd group <group-id (1-65535)></code> is used to enter the UFD Interface Configuration Mode.	To return from the UFD Configuration mode to Global Configuration Mode, the command <code>exit</code> is used. To exit from the UFD Configuration mode to Privileged EXEC Mode, the command <code>end</code> is used.

Privilege Levels and Command Access

The following table will list out the commands available for the different user levels in Privileged and User Exec levels.

Command	First Param	Guest	Tech	Admin	Description
archive	download-sw		x	x	Downloads software image

Command	First Param	Guest	Tech	Admin	Description
clear					Clears the specified parameters
	alarm	x	x	x	Alarm related information
	au-message	x	x	x	Address update messages related information
	cfa	x	x	x	CFA module related information
	interfaces	x	x	x	Protocol specific configuration of the interface
	meter-stats	x	x	x	Specific configuration for meter
	poe	x	x	x	PoE related configuration
	screen	x	x	x	Screen information
	ip		x	x	IP related configuration
	line		x	x	Configures line information
	logs		x	x	Log information
	protocol		x	x	Clears the specified protocol counters
	spanning-tree		x	x	Spanning tree related configuration
	tcp		x	x	TCP related configuration
clock	set		x	x	Sets the system clock value
config-restore					Configures the restore option
	flash		x	x	File in flash to be used for restoration
	norestore		x	x	No configuration restore
	remote		x	x	Remote location configuration
configure	terminal		x	x	Configures the terminal
copy			x	x	Various copy options
debug					Configures trace for the protocol
	ip	x	x	x	IP related configuration
	show	x	x	x	Show mempool status
	sntp	x	x	x	SNTP related configuration
	crypto		x	x	Crypto related information
	cybsec		x	x	Cybsec related information

Command	First Param	Guest	Tech	Admin	Description
	dot1x		x	x	PNAC related configuration
	etherchannel		x	x	Etherchannel related information
	firewall		x	x	Firewall related configuration
	garp		x	x	GARP related configuration
	interface		x	x	Configures trace for the interface management
	lACP		x	x	LACP related configuration
	lldp		x	x	LLDP related configuration
	lms		x	x	LCD notification server
	nat		x	x	Network Address Translation related configuration
	np		x	x	NPAPI configuration
	ptp		x	x	Precision time protocol related configuration
	qos		x	x	QOS related configuration
	security		x	x	Security related configuration
	spanning-tree		x	x	Spanning tree related protocol configuration
	ssh		x	x	SSH related configuration
	tacm		x	x	Transmission and admission control related configuration
	vlan		x	x	VLAN related configuration
display firewall rules				x	Display firewall rules
dot1x	clear	x	x	x	Clear dot1x configuration
	initialize		x	x	State machine and fresh authentication configuration
	re-authenticate		x	x	Re-authentication
dump					Display memory content from the given memory location

Command	First Param	Guest	Tech	Admin	Description
	mem		x	x	Dump memory
	que		x	x	Show the queue related information
	sem		x	x	Show the semaphore related information
	task		x	x	Show the task related information
egress bridge			x	x	
end			x	x	Exit to the privileged Exec (#) mode
erase			x	x	Clears the contents of the startup configuration
exit		x	x	x	Logout
factory reset				x	Reset to factory default configuration
factory reset	users			x	Reset all users on switch
firmware			x	x	Upgrades firmware
generate	tech		x	x	Generate the tech report of various system resources and protocol states for debugging
help		x	x	x	Displays help for commands
ip	igmp snooping clear counters	x	x	x	Clears the IGMP snooping statistics
	clear counters		x	x	Clear operation
	dhcp		x	x	DHCP related configuration
	pim		x	x	PIM related configuration
	ssh		x	x	SSH related information
listuser			x	x	List the user, mode and groups
lock			x	x	Lock the console
logout		x	x	x	Logout
memtrace			x	x	Configures memtrace
mst					
	instance-port- mapping		x	x	Enables and disables the multiple STP.

Command	First Param	Guest	Tech	Admin	Description
no ip					IP related information
	dhcp		x	x	DHCP related configuration
	ssh		x	x	SSH related information
no debug					Configures trace for the module
	ip	x	x	x	Stops debugging on IGMP or PIM
	sntp	x	x	x	Stops debugging on SNTP related configurations
	additional options...		x	x	Stops debugging for other options
ping					
	A.B.C.D	x	x	x	Ping host
	ip dns host name	x	x	x	Ping host
	ip A.B.C.D	x	x	x	Ping host
readarpfromHardware ip	A.B.C.D		x	x	Reads the arp for the given IP
readregister			x	x	Reads the value of the register from the hardware
release dhcp			x	x	Performs release operation
reload			x	x	Restarts the switch
renew dhcp			x	x	Performs renew operation
run script			x	x	Runs CLI commands
shell				x	Shell to Linux prompt
show		x	x	x	Shows configuration or information
sleep		x	x	x	Puts the command prompt to sleep
ssl				x	Configures secure sockets layer related parameters
snmpwalk mib					Allows the user to view Management Information Base related configuration.
	name	x	x	x	

Command	First Param	Guest	Tech	Admin	Description
	oid	x	x	x	
traceroute					Traces route to the destination IP
	A.B.C.D		x	x	
traffic					
	en		x	x	Traffic generation command
write			x	x	Writes the running-config to a flash file
writeregister			x	x	writes in the specified register

Configuration Terminal Access

The Guest user level does not have access to the configuration terminal.

The Administration level has access to all commands in the configuration terminal.

The Technical level has access to all commands in the configuration terminal with the following exceptions listed below.

- bridge-mode

2.3. Stopping Long Running Commands

Some *CLI* commands generate a long series of screen output. Typing 'q' will abort this text and quickly return the user to the command prompt.

This section will describe how to manage the text flow for commands that generate screens worth of text output. Examples will be provided using the **show running-config** command.

When a command generates more than one screen worth of text, the user will be prompted to advance the screen when the following text appears **--More--**.

```
iS5Comm# show running-config

#Building configuration...!!
syslog localstorage
syslog relay
syslog filename-one "syslog.log"
logging local flash emergencies file syslog.log
logging local flash alerts file syslog.log
!
!
ip pim component 1
```

```
!  
set gvrp disable  
set gmrp disable  
spanning-tree mode rst  
interface gigabitethernet 0/1  
!  
interface gigabitethernet 0/2  
!  
interface gigabitethernet 0/3  
!  
interface gigabitethernet 0/4  
--More--
```

In order to advance the text the user should hit the **spacebar**.

If the user would like to stop the text from scrolling and abort the output from the command, the user should type **q**.

Typing **q** will return the user to the prompt.

System Commands

3. System Commands

The System Commands are the commands used to manage access permissions, mode access, and terminal configuration.

3.1. help

To display a brief description for any given command, use the **help** command in the mode where command is used.

help

```
help [<command>]
```

Parameters

Parameter	Type	Description
<command>		Enter the name for the particular command for which help should be displayed. To display help description for commands with more than one word, do not provide any space between the words. The examples below show how help command is used in any of the modes.

Mode

Any Mode

Examples

```
iS5Comm# help configure terminal
```

```
EXEC commands :
```

```
configure terminal
```

```
[Desc]: Enter configuration mode.
```

iS5Comm(config)# help interface

CONFIGURE commands :

```
interface range { <interface-type> <slot/port-port> | vlan <vlan-id
(1-4094)>- <vlan-id (1-4094)>} [Desc]: Selects the range of L2 and IVR
interfaces to be configured interface {mgmt0 | vlan <vlan-id/vfi-id>
[switch <switch-name>]| port-channel<port-channel-id (1-65535)> | tunnel
<tunnel-id (0-128)> | <interface-type> <interface-id> | linuxvlan
<interface-name> | loopback <interface-id (0-100)> | ppp<1-128> | pw
<interface-id (1-65535)> | ac <integer (1-65535)>| s-channel <integer
(1-65535)>}
```

[Desc]: Select an interface to configure.

iS5Comm(config-crypto-map)# help setipv6peer

VPN commands :

```
set ipv6 peer <peer-ipv6 address>
```

[Desc]: This IPv6 address is the destination address in the packet during authentication and encryption of outbound datagrams.

3.2. clear screen

To clear all contents from the screen, use the **clear screen** command in any mode.

clear screen

Mode

Any Mode

3.3. configure terminal

To enter Global Configuration Mode, use the **configure terminal** command in Privileged EXEC Mode.

configure terminal

Mode

Privileged EXEC Mode

Examples

```
iS5Comm# configure terminal
```

```
iS5Comm(config)#
```

3.4. listuser

To list the user modes and privilege levels, use the command **listuser** in Privileged EXEC Mode.

listuser

Mode

Privileged EXEC Mode

Examples

```
iS5Comm# listuser
```

USER	MODE	PRIVILEGE
root	/	16
admin	/	15
guest	/	1

3.5. lock

To lock the CLI console, use the **lock** command in Privileged EXEC Mode. The command allows the user/system administrator to lock the console to prevent unauthorized users from gaining access to the CLI command shell. Enter the login password to release the console lock and access the CLI command shell.

lock

Mode

Privileged EXEC Mode

Examples

```
iS5Comm # lock
```

3.6. username

To create a user and sets the password and the privilege level for the user, use the **username** command in Global Configuration Mode. The no form of the command deletes the specified user.

username

```
username <user-name> {password [0 | 7 | LINE] <passwd>}  
  [privilege {<1-15 | tech | guest}} {confirm-password [0 | 7 | LINE]  
<passwd>}  
  [status {enable | disable}]
```

no username

```
no username <user-name>
```

Parameters

Parameter	Type	Description																																																																																																																																																																																																																																																																																																																																																																																																																																																																														
<user-name>		<p>Specify the login user name to be created. It must be a a minimum of 8 and maximum of 64 characters.</p> <ul style="list-style-type: none"> An user name is allowed to have any printable ASCII character (range 33-126) except colon character. <table border="1"> <thead> <tr> <th>Dec</th> <th>Hex</th> <th>Name</th> <th>Char</th> <th>Ctrl-char</th> <th>Dec</th> <th>Hex</th> <th>Char</th> <th>Dec</th> <th>Hex</th> <th>Char</th> <th>Dec</th> <th>Hex</th> <th>Char</th> </tr> </thead> <tbody> <tr><td>0</td><td>0</td><td>Null</td><td>NUL</td><td>CTRL-@</td><td>32</td><td>20</td><td>Space</td><td>64</td><td>40</td><td>@</td><td>96</td><td>60</td><td></td></tr> <tr><td>1</td><td>1</td><td>Start of heading</td><td>SOH</td><td>CTRL-A</td><td>33</td><td>21</td><td>!</td><td>65</td><td>41</td><td>A</td><td>97</td><td>61</td><td>a</td></tr> <tr><td>2</td><td>2</td><td>Start of text</td><td>STX</td><td>CTRL-B</td><td>34</td><td>22</td><td>"</td><td>66</td><td>42</td><td>B</td><td>98</td><td>62</td><td>b</td></tr> <tr><td>3</td><td>3</td><td>End of text</td><td>ETX</td><td>CTRL-C</td><td>35</td><td>23</td><td>#</td><td>67</td><td>43</td><td>C</td><td>99</td><td>63</td><td>c</td></tr> <tr><td>4</td><td>4</td><td>End of xmit</td><td>EOT</td><td>CTRL-D</td><td>36</td><td>24</td><td>\$</td><td>68</td><td>44</td><td>D</td><td>100</td><td>64</td><td>d</td></tr> <tr><td>5</td><td>5</td><td>Enquiry</td><td>ENQ</td><td>CTRL-E</td><td>37</td><td>25</td><td>%</td><td>69</td><td>45</td><td>E</td><td>101</td><td>65</td><td>e</td></tr> <tr><td>6</td><td>6</td><td>Acknowledge</td><td>ACK</td><td>CTRL-F</td><td>38</td><td>26</td><td>&</td><td>70</td><td>46</td><td>F</td><td>102</td><td>66</td><td>f</td></tr> <tr><td>7</td><td>7</td><td>Bell</td><td>BEL</td><td>CTRL-G</td><td>39</td><td>27</td><td>'</td><td>71</td><td>47</td><td>G</td><td>103</td><td>67</td><td>g</td></tr> <tr><td>8</td><td>8</td><td>Backspace</td><td>BS</td><td>CTRL-H</td><td>40</td><td>28</td><td>(</td><td>72</td><td>48</td><td>H</td><td>104</td><td>68</td><td>h</td></tr> <tr><td>9</td><td>9</td><td>Horizontal tab</td><td>HT</td><td>CTRL-I</td><td>41</td><td>29</td><td>)</td><td>73</td><td>49</td><td>I</td><td>105</td><td>69</td><td>i</td></tr> <tr><td>10</td><td>0A</td><td>Line feed</td><td>LF</td><td>CTRL-J</td><td>42</td><td>2A</td><td>*</td><td>74</td><td>4A</td><td>J</td><td>106</td><td>6A</td><td>j</td></tr> <tr><td>11</td><td>0B</td><td>Vertical tab</td><td>VT</td><td>CTRL-K</td><td>43</td><td>2B</td><td>+</td><td>75</td><td>4B</td><td>K</td><td>107</td><td>6B</td><td>k</td></tr> <tr><td>12</td><td>0C</td><td>Form feed</td><td>FF</td><td>CTRL-L</td><td>44</td><td>2C</td><td>,</td><td>76</td><td>4C</td><td>L</td><td>108</td><td>6C</td><td>l</td></tr> <tr><td>13</td><td>0D</td><td>Carriage feed</td><td>CR</td><td>CTRL-M</td><td>45</td><td>2D</td><td>-</td><td>77</td><td>4D</td><td>M</td><td>109</td><td>6D</td><td>m</td></tr> <tr><td>14</td><td>0E</td><td>Shift out</td><td>SO</td><td>CTRL-N</td><td>46</td><td>2E</td><td>.</td><td>78</td><td>4E</td><td>N</td><td>110</td><td>6E</td><td>n</td></tr> <tr><td>15</td><td>0F</td><td>Shift in</td><td>SI</td><td>CTRL-O</td><td>47</td><td>2F</td><td>/</td><td>79</td><td>4F</td><td>O</td><td>111</td><td>6F</td><td>o</td></tr> <tr><td>16</td><td>10</td><td>Data line escape</td><td>DLE</td><td>CTRL-P</td><td>48</td><td>30</td><td>0</td><td>80</td><td>50</td><td>P</td><td>112</td><td>70</td><td>p</td></tr> <tr><td>17</td><td>11</td><td>Device control 1</td><td>DC1</td><td>CTRL-Q</td><td>49</td><td>31</td><td>1</td><td>81</td><td>51</td><td>Q</td><td>113</td><td>71</td><td>q</td></tr> <tr><td>18</td><td>12</td><td>Device control 2</td><td>DC2</td><td>CTRL-R</td><td>50</td><td>32</td><td>2</td><td>82</td><td>52</td><td>R</td><td>114</td><td>72</td><td>r</td></tr> <tr><td>19</td><td>13</td><td>Device control 3</td><td>DC3</td><td>CTRL-S</td><td>51</td><td>33</td><td>3</td><td>83</td><td>53</td><td>S</td><td>115</td><td>73</td><td>s</td></tr> <tr><td>20</td><td>14</td><td>Device control 4</td><td>DC4</td><td>CTRL-T</td><td>52</td><td>34</td><td>4</td><td>84</td><td>54</td><td>T</td><td>116</td><td>74</td><td>t</td></tr> <tr><td>21</td><td>15</td><td>Neg acknowledge</td><td>NAK</td><td>CTRL-U</td><td>53</td><td>35</td><td>5</td><td>85</td><td>55</td><td>U</td><td>117</td><td>75</td><td>u</td></tr> <tr><td>22</td><td>16</td><td>Synchronous idle</td><td>SYN</td><td>CTRL-V</td><td>54</td><td>36</td><td>6</td><td>86</td><td>56</td><td>V</td><td>118</td><td>76</td><td>v</td></tr> <tr><td>23</td><td>17</td><td>End of xmit block</td><td>ETB</td><td>CTRL-W</td><td>55</td><td>37</td><td>7</td><td>87</td><td>57</td><td>W</td><td>119</td><td>77</td><td>w</td></tr> <tr><td>24</td><td>18</td><td>Cancel</td><td>CAN</td><td>CTRL-X</td><td>56</td><td>38</td><td>8</td><td>88</td><td>58</td><td>X</td><td>120</td><td>78</td><td>x</td></tr> <tr><td>25</td><td>19</td><td>End of medium</td><td>EM</td><td>CTRL-Y</td><td>57</td><td>39</td><td>9</td><td>89</td><td>59</td><td>Y</td><td>121</td><td>79</td><td>y</td></tr> <tr><td>26</td><td>1A</td><td>Substitute</td><td>SUB</td><td>CTRL-Z</td><td>58</td><td>3A</td><td>:</td><td>90</td><td>5A</td><td>Z</td><td>122</td><td>7A</td><td>z</td></tr> <tr><td>27</td><td>1B</td><td>Escape</td><td>ESC</td><td>CTRL-[</td><td>59</td><td>3B</td><td>;</td><td>91</td><td>5B</td><td>[</td><td>123</td><td>7B</td><td>{</td></tr> <tr><td>28</td><td>1C</td><td>File separator</td><td>FS</td><td>CTRL-\</td><td>60</td><td>3C</td><td><</td><td>92</td><td>5C</td><td>\</td><td>124</td><td>7C</td><td> </td></tr> <tr><td>29</td><td>1D</td><td>Group separator</td><td>GS</td><td>CTRL-]</td><td>61</td><td>3D</td><td>=</td><td>93</td><td>5D</td><td>]</td><td>125</td><td>7D</td><td>}</td></tr> <tr><td>30</td><td>1E</td><td>Record separator</td><td>RS</td><td>CTRL-^</td><td>62</td><td>3E</td><td>></td><td>94</td><td>5E</td><td>^</td><td>126</td><td>7E</td><td>~</td></tr> <tr><td>31</td><td>1F</td><td>Unit separator</td><td>US</td><td>CTRL-`</td><td>63</td><td>3F</td><td>?</td><td>95</td><td>5F</td><td>`</td><td>127</td><td>7F</td><td>DEL</td></tr> </tbody> </table>	Dec	Hex	Name	Char	Ctrl-char	Dec	Hex	Char	Dec	Hex	Char	Dec	Hex	Char	0	0	Null	NUL	CTRL-@	32	20	Space	64	40	@	96	60		1	1	Start of heading	SOH	CTRL-A	33	21	!	65	41	A	97	61	a	2	2	Start of text	STX	CTRL-B	34	22	"	66	42	B	98	62	b	3	3	End of text	ETX	CTRL-C	35	23	#	67	43	C	99	63	c	4	4	End of xmit	EOT	CTRL-D	36	24	\$	68	44	D	100	64	d	5	5	Enquiry	ENQ	CTRL-E	37	25	%	69	45	E	101	65	e	6	6	Acknowledge	ACK	CTRL-F	38	26	&	70	46	F	102	66	f	7	7	Bell	BEL	CTRL-G	39	27	'	71	47	G	103	67	g	8	8	Backspace	BS	CTRL-H	40	28	(72	48	H	104	68	h	9	9	Horizontal tab	HT	CTRL-I	41	29)	73	49	I	105	69	i	10	0A	Line feed	LF	CTRL-J	42	2A	*	74	4A	J	106	6A	j	11	0B	Vertical tab	VT	CTRL-K	43	2B	+	75	4B	K	107	6B	k	12	0C	Form feed	FF	CTRL-L	44	2C	,	76	4C	L	108	6C	l	13	0D	Carriage feed	CR	CTRL-M	45	2D	-	77	4D	M	109	6D	m	14	0E	Shift out	SO	CTRL-N	46	2E	.	78	4E	N	110	6E	n	15	0F	Shift in	SI	CTRL-O	47	2F	/	79	4F	O	111	6F	o	16	10	Data line escape	DLE	CTRL-P	48	30	0	80	50	P	112	70	p	17	11	Device control 1	DC1	CTRL-Q	49	31	1	81	51	Q	113	71	q	18	12	Device control 2	DC2	CTRL-R	50	32	2	82	52	R	114	72	r	19	13	Device control 3	DC3	CTRL-S	51	33	3	83	53	S	115	73	s	20	14	Device control 4	DC4	CTRL-T	52	34	4	84	54	T	116	74	t	21	15	Neg acknowledge	NAK	CTRL-U	53	35	5	85	55	U	117	75	u	22	16	Synchronous idle	SYN	CTRL-V	54	36	6	86	56	V	118	76	v	23	17	End of xmit block	ETB	CTRL-W	55	37	7	87	57	W	119	77	w	24	18	Cancel	CAN	CTRL-X	56	38	8	88	58	X	120	78	x	25	19	End of medium	EM	CTRL-Y	57	39	9	89	59	Y	121	79	y	26	1A	Substitute	SUB	CTRL-Z	58	3A	:	90	5A	Z	122	7A	z	27	1B	Escape	ESC	CTRL-[59	3B	;	91	5B	[123	7B	{	28	1C	File separator	FS	CTRL-\	60	3C	<	92	5C	\	124	7C		29	1D	Group separator	GS	CTRL-]	61	3D	=	93	5D]	125	7D	}	30	1E	Record separator	RS	CTRL-^	62	3E	>	94	5E	^	126	7E	~	31	1F	Unit separator	US	CTRL-`	63	3F	?	95	5F	`	127	7F	DEL
Dec	Hex	Name	Char	Ctrl-char	Dec	Hex	Char	Dec	Hex	Char	Dec	Hex	Char																																																																																																																																																																																																																																																																																																																																																																																																																																																																			
0	0	Null	NUL	CTRL-@	32	20	Space	64	40	@	96	60																																																																																																																																																																																																																																																																																																																																																																																																																																																																				
1	1	Start of heading	SOH	CTRL-A	33	21	!	65	41	A	97	61	a																																																																																																																																																																																																																																																																																																																																																																																																																																																																			
2	2	Start of text	STX	CTRL-B	34	22	"	66	42	B	98	62	b																																																																																																																																																																																																																																																																																																																																																																																																																																																																			
3	3	End of text	ETX	CTRL-C	35	23	#	67	43	C	99	63	c																																																																																																																																																																																																																																																																																																																																																																																																																																																																			
4	4	End of xmit	EOT	CTRL-D	36	24	\$	68	44	D	100	64	d																																																																																																																																																																																																																																																																																																																																																																																																																																																																			
5	5	Enquiry	ENQ	CTRL-E	37	25	%	69	45	E	101	65	e																																																																																																																																																																																																																																																																																																																																																																																																																																																																			
6	6	Acknowledge	ACK	CTRL-F	38	26	&	70	46	F	102	66	f																																																																																																																																																																																																																																																																																																																																																																																																																																																																			
7	7	Bell	BEL	CTRL-G	39	27	'	71	47	G	103	67	g																																																																																																																																																																																																																																																																																																																																																																																																																																																																			
8	8	Backspace	BS	CTRL-H	40	28	(72	48	H	104	68	h																																																																																																																																																																																																																																																																																																																																																																																																																																																																			
9	9	Horizontal tab	HT	CTRL-I	41	29)	73	49	I	105	69	i																																																																																																																																																																																																																																																																																																																																																																																																																																																																			
10	0A	Line feed	LF	CTRL-J	42	2A	*	74	4A	J	106	6A	j																																																																																																																																																																																																																																																																																																																																																																																																																																																																			
11	0B	Vertical tab	VT	CTRL-K	43	2B	+	75	4B	K	107	6B	k																																																																																																																																																																																																																																																																																																																																																																																																																																																																			
12	0C	Form feed	FF	CTRL-L	44	2C	,	76	4C	L	108	6C	l																																																																																																																																																																																																																																																																																																																																																																																																																																																																			
13	0D	Carriage feed	CR	CTRL-M	45	2D	-	77	4D	M	109	6D	m																																																																																																																																																																																																																																																																																																																																																																																																																																																																			
14	0E	Shift out	SO	CTRL-N	46	2E	.	78	4E	N	110	6E	n																																																																																																																																																																																																																																																																																																																																																																																																																																																																			
15	0F	Shift in	SI	CTRL-O	47	2F	/	79	4F	O	111	6F	o																																																																																																																																																																																																																																																																																																																																																																																																																																																																			
16	10	Data line escape	DLE	CTRL-P	48	30	0	80	50	P	112	70	p																																																																																																																																																																																																																																																																																																																																																																																																																																																																			
17	11	Device control 1	DC1	CTRL-Q	49	31	1	81	51	Q	113	71	q																																																																																																																																																																																																																																																																																																																																																																																																																																																																			
18	12	Device control 2	DC2	CTRL-R	50	32	2	82	52	R	114	72	r																																																																																																																																																																																																																																																																																																																																																																																																																																																																			
19	13	Device control 3	DC3	CTRL-S	51	33	3	83	53	S	115	73	s																																																																																																																																																																																																																																																																																																																																																																																																																																																																			
20	14	Device control 4	DC4	CTRL-T	52	34	4	84	54	T	116	74	t																																																																																																																																																																																																																																																																																																																																																																																																																																																																			
21	15	Neg acknowledge	NAK	CTRL-U	53	35	5	85	55	U	117	75	u																																																																																																																																																																																																																																																																																																																																																																																																																																																																			
22	16	Synchronous idle	SYN	CTRL-V	54	36	6	86	56	V	118	76	v																																																																																																																																																																																																																																																																																																																																																																																																																																																																			
23	17	End of xmit block	ETB	CTRL-W	55	37	7	87	57	W	119	77	w																																																																																																																																																																																																																																																																																																																																																																																																																																																																			
24	18	Cancel	CAN	CTRL-X	56	38	8	88	58	X	120	78	x																																																																																																																																																																																																																																																																																																																																																																																																																																																																			
25	19	End of medium	EM	CTRL-Y	57	39	9	89	59	Y	121	79	y																																																																																																																																																																																																																																																																																																																																																																																																																																																																			
26	1A	Substitute	SUB	CTRL-Z	58	3A	:	90	5A	Z	122	7A	z																																																																																																																																																																																																																																																																																																																																																																																																																																																																			
27	1B	Escape	ESC	CTRL-[59	3B	;	91	5B	[123	7B	{																																																																																																																																																																																																																																																																																																																																																																																																																																																																			
28	1C	File separator	FS	CTRL-\	60	3C	<	92	5C	\	124	7C																																																																																																																																																																																																																																																																																																																																																																																																																																																																				
29	1D	Group separator	GS	CTRL-]	61	3D	=	93	5D]	125	7D	}																																																																																																																																																																																																																																																																																																																																																																																																																																																																			
30	1E	Record separator	RS	CTRL-^	62	3E	>	94	5E	^	126	7E	~																																																																																																																																																																																																																																																																																																																																																																																																																																																																			
31	1F	Unit separator	US	CTRL-`	63	3F	?	95	5F	`	127	7F	DEL																																																																																																																																																																																																																																																																																																																																																																																																																																																																			
		<ul style="list-style-type: none"> Usernames are allowed to have special characters. All printable characters are supported except the following: <ul style="list-style-type: none"> Colon(:)—this is because colon is used as a delimiter in the users file. A username with colon character will affect the parsing of the users file and corrupt the database. Single(') and Doubt Quote(")—this is an escape sequence character which shall not be parsed by the implementation Backslash(\)—this is an escape sequence character which shall not be parsed by the implementation Semi-Colon(;) Pipe() Question mark(?) 																																																																																																																																																																																																																																																																																																																																																																																																																																																																														

Parameter	Type	Description
<user-name> (cont)		NOTE: a factory reset must be performed in order to downgrade from a version that supports 64 character username to a version that supports only 20 characters. Without the reset, if there was a username configured with greater than 20 characters, post downgrade the version would crash.
password		Specifies the password to be entered by the user to login to the system, and password encryption to be used. The password parameter is made a mandatory parameter when creating a new user. The size password entered must be a minimum of 8 and maximum of 20 characters containing at least one uppercase, one lowercase, one number and one special character. The password encryption options are as follows:
0	Integer	Uses an unencrypted password.
7	Integer	Uses a hidden password.
LINE		Uses the Line password; This feature is currently not supported
<passwd>		Enter a password. The size of password entered must be a minimum of 8 and maximum of 64 characters.
privilege <1-15>	integer	Applies restriction to the user for accessing the CLI commands. This values ranges between 1 and 15. For example, a user ID configured with privilege level s 4 can access only the commands having privilege ID lesser than or equal to 4.
tech		Specifies an user type technician (privilege 7).
guest		Specifies an user with guest privileges.
confirm-passw ord		Specifies the password to be entered by the user to login to the system, and password encryption to be used. The password encryption options are as follows:
0	Integer	Uses the unencrypted password
7	Integer	Uses the hidden password
LINE		Uses the Line password; This feature is currently not supported
<passwd>		Enter the confirmation password.
status		Specifies the status of the user name.
enable		Enables the user name.
disable		Disables the user name.

Mode

Global Configuration Mode

Prerequisites

- Only the root user can create new users using this command.
- When a new users are created, the user can login with any username and the respective password.
- Privilege ID is set as zero for all show commands and is set as 15 for all configuration commands, in the def files. Root users can access all commands and other users can access only the show commands. Users can change the privilege IDs of the commands in the def file to customize and segregate the commands as per the needs

Examples

```
iS5Comm (config)# username products password Prod@1234 privilege 15
```

NOTE: The user products are created with the privilege level 15. Hence, the user will be visible to view all commands.

```
iS5Comm (config)# username support password Supp@123 privilege 1
```

NOTE: The user support is created with the privilege level 1. Hence, the user will be visible to view only the below commands.

- Show - Show commands related to all features.
- Enable - Enables the privilege level.
- Exit
- Logout
- Clear
- Debug
- No Debug

3.7. enable password

To enable privilege level for the password, use the command **enable password** in Global Configuration Mode. The no form of the command disables the password or privilege level for the password.

enable password

```
enable password level < 1 | 7 | 15 > <password (20)>
```

no enable password

```
no enable password level < 1 | 7 | 15 >
```

Parameters

Parameter	Type	Description																																																																																																																																																																																																																																																																																																																																																																																																																																																																														
level		Specify level related configuration. There 3 predefined levels of privilege as shown by the parameters below:																																																																																																																																																																																																																																																																																																																																																																																																																																																																														
1	Integer	Guest																																																																																																																																																																																																																																																																																																																																																																																																																																																																														
7	Integer	Tech																																																																																																																																																																																																																																																																																																																																																																																																																																																																														
15	Integer	Admin																																																																																																																																																																																																																																																																																																																																																																																																																																																																														
<password(20)>	String	<p>Specify the password to be enabled. The size of password entered must be a maximum of 20 characters. It should follow password configuration conventions. It should contain at least one uppercase, one lowercase, one number and one special character. Privilege level related configuration</p> <p>NOTE: CLI framework does not allow the following characters/strings to be used in passwords</p> <ul style="list-style-type: none"> '?', ';', ' ', "!" <table border="1"> <thead> <tr> <th>Dec</th> <th>Hex</th> <th>Name</th> <th>Char</th> <th>Ctrl-char</th> <th>Dec</th> <th>Hex</th> <th>Char</th> <th>Dec</th> <th>Hex</th> <th>Char</th> <th>Dec</th> <th>Hex</th> <th>Char</th> </tr> </thead> <tbody> <tr><td>0</td><td>0</td><td>Null</td><td>NUL</td><td>CTRL-@</td><td>32</td><td>20</td><td>Space</td><td>64</td><td>40</td><td>@</td><td>96</td><td>60</td><td></td></tr> <tr><td>1</td><td>1</td><td>Start of heading</td><td>SOH</td><td>CTRL-A</td><td>33</td><td>21</td><td>!</td><td>65</td><td>41</td><td>A</td><td>97</td><td>61</td><td>a</td></tr> <tr><td>2</td><td>2</td><td>Start of text</td><td>STX</td><td>CTRL-B</td><td>34</td><td>22</td><td>"</td><td>66</td><td>42</td><td>B</td><td>98</td><td>62</td><td>b</td></tr> <tr><td>3</td><td>3</td><td>End of text</td><td>ETX</td><td>CTRL-C</td><td>35</td><td>23</td><td>#</td><td>67</td><td>43</td><td>C</td><td>99</td><td>63</td><td>c</td></tr> <tr><td>4</td><td>4</td><td>End of xmit</td><td>EOT</td><td>CTRL-D</td><td>36</td><td>24</td><td>\$</td><td>68</td><td>44</td><td>D</td><td>100</td><td>64</td><td>d</td></tr> <tr><td>5</td><td>5</td><td>Enquiry</td><td>ENQ</td><td>CTRL-E</td><td>37</td><td>25</td><td>%</td><td>69</td><td>45</td><td>E</td><td>101</td><td>65</td><td>e</td></tr> <tr><td>6</td><td>6</td><td>Acknowledge</td><td>ACK</td><td>CTRL-F</td><td>38</td><td>26</td><td>&</td><td>70</td><td>46</td><td>F</td><td>102</td><td>66</td><td>f</td></tr> <tr><td>7</td><td>7</td><td>Bell</td><td>BEL</td><td>CTRL-G</td><td>39</td><td>27</td><td>'</td><td>71</td><td>47</td><td>G</td><td>103</td><td>67</td><td>g</td></tr> <tr><td>8</td><td>8</td><td>Backspace</td><td>BS</td><td>CTRL-H</td><td>40</td><td>28</td><td>(</td><td>72</td><td>48</td><td>H</td><td>104</td><td>68</td><td>h</td></tr> <tr><td>9</td><td>9</td><td>Horizontal tab</td><td>HT</td><td>CTRL-I</td><td>41</td><td>29</td><td>)</td><td>73</td><td>49</td><td>I</td><td>105</td><td>69</td><td>i</td></tr> <tr><td>10</td><td>0A</td><td>Line feed</td><td>LF</td><td>CTRL-J</td><td>42</td><td>2A</td><td>*</td><td>74</td><td>4A</td><td>J</td><td>106</td><td>6A</td><td>j</td></tr> <tr><td>11</td><td>0B</td><td>Vertical tab</td><td>VT</td><td>CTRL-K</td><td>43</td><td>2B</td><td>+</td><td>75</td><td>4B</td><td>K</td><td>107</td><td>6B</td><td>k</td></tr> <tr><td>12</td><td>0C</td><td>Form feed</td><td>FF</td><td>CTRL-L</td><td>44</td><td>2C</td><td>,</td><td>76</td><td>4C</td><td>L</td><td>108</td><td>6C</td><td>l</td></tr> <tr><td>13</td><td>0D</td><td>Carriage feed</td><td>CR</td><td>CTRL-M</td><td>45</td><td>2D</td><td>-</td><td>77</td><td>4D</td><td>M</td><td>109</td><td>6D</td><td>m</td></tr> <tr><td>14</td><td>0E</td><td>Shift out</td><td>SO</td><td>CTRL-N</td><td>46</td><td>2E</td><td>.</td><td>78</td><td>4E</td><td>N</td><td>110</td><td>6E</td><td>n</td></tr> <tr><td>15</td><td>0F</td><td>Shift in</td><td>SI</td><td>CTRL-O</td><td>47</td><td>2F</td><td>/</td><td>79</td><td>4F</td><td>O</td><td>111</td><td>6F</td><td>o</td></tr> <tr><td>16</td><td>10</td><td>Data line escape</td><td>DLE</td><td>CTRL-P</td><td>48</td><td>30</td><td>0</td><td>80</td><td>50</td><td>P</td><td>112</td><td>70</td><td>p</td></tr> <tr><td>17</td><td>11</td><td>Device control 1</td><td>DC1</td><td>CTRL-Q</td><td>49</td><td>31</td><td>1</td><td>81</td><td>51</td><td>Q</td><td>113</td><td>71</td><td>q</td></tr> <tr><td>18</td><td>12</td><td>Device control 2</td><td>DC2</td><td>CTRL-R</td><td>50</td><td>32</td><td>2</td><td>82</td><td>52</td><td>R</td><td>114</td><td>72</td><td>r</td></tr> <tr><td>19</td><td>13</td><td>Device control 3</td><td>DC3</td><td>CTRL-S</td><td>51</td><td>33</td><td>3</td><td>83</td><td>53</td><td>S</td><td>115</td><td>73</td><td>s</td></tr> <tr><td>20</td><td>14</td><td>Device control 4</td><td>DC4</td><td>CTRL-T</td><td>52</td><td>34</td><td>4</td><td>84</td><td>54</td><td>T</td><td>116</td><td>74</td><td>t</td></tr> <tr><td>21</td><td>15</td><td>Neg acknowledge</td><td>NAK</td><td>CTRL-U</td><td>53</td><td>35</td><td>5</td><td>85</td><td>55</td><td>U</td><td>117</td><td>75</td><td>u</td></tr> <tr><td>22</td><td>16</td><td>Synchronous idle</td><td>SYN</td><td>CTRL-V</td><td>54</td><td>36</td><td>6</td><td>86</td><td>56</td><td>V</td><td>118</td><td>76</td><td>v</td></tr> <tr><td>23</td><td>17</td><td>End of xmit block</td><td>ETB</td><td>CTRL-W</td><td>55</td><td>37</td><td>7</td><td>87</td><td>57</td><td>W</td><td>119</td><td>77</td><td>w</td></tr> <tr><td>24</td><td>18</td><td>Cancel</td><td>CAN</td><td>CTRL-X</td><td>56</td><td>38</td><td>8</td><td>88</td><td>58</td><td>X</td><td>120</td><td>78</td><td>x</td></tr> <tr><td>25</td><td>19</td><td>End of medium</td><td>EM</td><td>CTRL-Y</td><td>57</td><td>39</td><td>9</td><td>89</td><td>59</td><td>Y</td><td>121</td><td>79</td><td>y</td></tr> <tr><td>26</td><td>1A</td><td>Substitute</td><td>SUB</td><td>CTRL-Z</td><td>58</td><td>3A</td><td>:</td><td>90</td><td>5A</td><td>Z</td><td>122</td><td>7A</td><td>z</td></tr> <tr><td>27</td><td>1B</td><td>Escape</td><td>ESC</td><td>CTRL-[</td><td>59</td><td>3B</td><td>;</td><td>91</td><td>5B</td><td>[</td><td>123</td><td>7B</td><td>{</td></tr> <tr><td>28</td><td>1C</td><td>File separator</td><td>FS</td><td>CTRL-\</td><td>60</td><td>3C</td><td><</td><td>92</td><td>5C</td><td>\</td><td>124</td><td>7C</td><td> </td></tr> <tr><td>29</td><td>1D</td><td>Group separator</td><td>GS</td><td>CTRL-]</td><td>61</td><td>3D</td><td>=</td><td>93</td><td>5D</td><td>]</td><td>125</td><td>7D</td><td>}</td></tr> <tr><td>30</td><td>1E</td><td>Record separator</td><td>RS</td><td>CTRL-^</td><td>62</td><td>3E</td><td>></td><td>94</td><td>5E</td><td>^</td><td>126</td><td>7E</td><td>~</td></tr> <tr><td>31</td><td>1F</td><td>Unit separator</td><td>US</td><td>CTRL-`</td><td>63</td><td>3F</td><td>?</td><td>95</td><td>5F</td><td>`</td><td>127</td><td>7F</td><td>DEL</td></tr> </tbody> </table>	Dec	Hex	Name	Char	Ctrl-char	Dec	Hex	Char	Dec	Hex	Char	Dec	Hex	Char	0	0	Null	NUL	CTRL-@	32	20	Space	64	40	@	96	60		1	1	Start of heading	SOH	CTRL-A	33	21	!	65	41	A	97	61	a	2	2	Start of text	STX	CTRL-B	34	22	"	66	42	B	98	62	b	3	3	End of text	ETX	CTRL-C	35	23	#	67	43	C	99	63	c	4	4	End of xmit	EOT	CTRL-D	36	24	\$	68	44	D	100	64	d	5	5	Enquiry	ENQ	CTRL-E	37	25	%	69	45	E	101	65	e	6	6	Acknowledge	ACK	CTRL-F	38	26	&	70	46	F	102	66	f	7	7	Bell	BEL	CTRL-G	39	27	'	71	47	G	103	67	g	8	8	Backspace	BS	CTRL-H	40	28	(72	48	H	104	68	h	9	9	Horizontal tab	HT	CTRL-I	41	29)	73	49	I	105	69	i	10	0A	Line feed	LF	CTRL-J	42	2A	*	74	4A	J	106	6A	j	11	0B	Vertical tab	VT	CTRL-K	43	2B	+	75	4B	K	107	6B	k	12	0C	Form feed	FF	CTRL-L	44	2C	,	76	4C	L	108	6C	l	13	0D	Carriage feed	CR	CTRL-M	45	2D	-	77	4D	M	109	6D	m	14	0E	Shift out	SO	CTRL-N	46	2E	.	78	4E	N	110	6E	n	15	0F	Shift in	SI	CTRL-O	47	2F	/	79	4F	O	111	6F	o	16	10	Data line escape	DLE	CTRL-P	48	30	0	80	50	P	112	70	p	17	11	Device control 1	DC1	CTRL-Q	49	31	1	81	51	Q	113	71	q	18	12	Device control 2	DC2	CTRL-R	50	32	2	82	52	R	114	72	r	19	13	Device control 3	DC3	CTRL-S	51	33	3	83	53	S	115	73	s	20	14	Device control 4	DC4	CTRL-T	52	34	4	84	54	T	116	74	t	21	15	Neg acknowledge	NAK	CTRL-U	53	35	5	85	55	U	117	75	u	22	16	Synchronous idle	SYN	CTRL-V	54	36	6	86	56	V	118	76	v	23	17	End of xmit block	ETB	CTRL-W	55	37	7	87	57	W	119	77	w	24	18	Cancel	CAN	CTRL-X	56	38	8	88	58	X	120	78	x	25	19	End of medium	EM	CTRL-Y	57	39	9	89	59	Y	121	79	y	26	1A	Substitute	SUB	CTRL-Z	58	3A	:	90	5A	Z	122	7A	z	27	1B	Escape	ESC	CTRL-[59	3B	;	91	5B	[123	7B	{	28	1C	File separator	FS	CTRL-\	60	3C	<	92	5C	\	124	7C		29	1D	Group separator	GS	CTRL-]	61	3D	=	93	5D]	125	7D	}	30	1E	Record separator	RS	CTRL-^	62	3E	>	94	5E	^	126	7E	~	31	1F	Unit separator	US	CTRL-`	63	3F	?	95	5F	`	127	7F	DEL
Dec	Hex	Name	Char	Ctrl-char	Dec	Hex	Char	Dec	Hex	Char	Dec	Hex	Char																																																																																																																																																																																																																																																																																																																																																																																																																																																																			
0	0	Null	NUL	CTRL-@	32	20	Space	64	40	@	96	60																																																																																																																																																																																																																																																																																																																																																																																																																																																																				
1	1	Start of heading	SOH	CTRL-A	33	21	!	65	41	A	97	61	a																																																																																																																																																																																																																																																																																																																																																																																																																																																																			
2	2	Start of text	STX	CTRL-B	34	22	"	66	42	B	98	62	b																																																																																																																																																																																																																																																																																																																																																																																																																																																																			
3	3	End of text	ETX	CTRL-C	35	23	#	67	43	C	99	63	c																																																																																																																																																																																																																																																																																																																																																																																																																																																																			
4	4	End of xmit	EOT	CTRL-D	36	24	\$	68	44	D	100	64	d																																																																																																																																																																																																																																																																																																																																																																																																																																																																			
5	5	Enquiry	ENQ	CTRL-E	37	25	%	69	45	E	101	65	e																																																																																																																																																																																																																																																																																																																																																																																																																																																																			
6	6	Acknowledge	ACK	CTRL-F	38	26	&	70	46	F	102	66	f																																																																																																																																																																																																																																																																																																																																																																																																																																																																			
7	7	Bell	BEL	CTRL-G	39	27	'	71	47	G	103	67	g																																																																																																																																																																																																																																																																																																																																																																																																																																																																			
8	8	Backspace	BS	CTRL-H	40	28	(72	48	H	104	68	h																																																																																																																																																																																																																																																																																																																																																																																																																																																																			
9	9	Horizontal tab	HT	CTRL-I	41	29)	73	49	I	105	69	i																																																																																																																																																																																																																																																																																																																																																																																																																																																																			
10	0A	Line feed	LF	CTRL-J	42	2A	*	74	4A	J	106	6A	j																																																																																																																																																																																																																																																																																																																																																																																																																																																																			
11	0B	Vertical tab	VT	CTRL-K	43	2B	+	75	4B	K	107	6B	k																																																																																																																																																																																																																																																																																																																																																																																																																																																																			
12	0C	Form feed	FF	CTRL-L	44	2C	,	76	4C	L	108	6C	l																																																																																																																																																																																																																																																																																																																																																																																																																																																																			
13	0D	Carriage feed	CR	CTRL-M	45	2D	-	77	4D	M	109	6D	m																																																																																																																																																																																																																																																																																																																																																																																																																																																																			
14	0E	Shift out	SO	CTRL-N	46	2E	.	78	4E	N	110	6E	n																																																																																																																																																																																																																																																																																																																																																																																																																																																																			
15	0F	Shift in	SI	CTRL-O	47	2F	/	79	4F	O	111	6F	o																																																																																																																																																																																																																																																																																																																																																																																																																																																																			
16	10	Data line escape	DLE	CTRL-P	48	30	0	80	50	P	112	70	p																																																																																																																																																																																																																																																																																																																																																																																																																																																																			
17	11	Device control 1	DC1	CTRL-Q	49	31	1	81	51	Q	113	71	q																																																																																																																																																																																																																																																																																																																																																																																																																																																																			
18	12	Device control 2	DC2	CTRL-R	50	32	2	82	52	R	114	72	r																																																																																																																																																																																																																																																																																																																																																																																																																																																																			
19	13	Device control 3	DC3	CTRL-S	51	33	3	83	53	S	115	73	s																																																																																																																																																																																																																																																																																																																																																																																																																																																																			
20	14	Device control 4	DC4	CTRL-T	52	34	4	84	54	T	116	74	t																																																																																																																																																																																																																																																																																																																																																																																																																																																																			
21	15	Neg acknowledge	NAK	CTRL-U	53	35	5	85	55	U	117	75	u																																																																																																																																																																																																																																																																																																																																																																																																																																																																			
22	16	Synchronous idle	SYN	CTRL-V	54	36	6	86	56	V	118	76	v																																																																																																																																																																																																																																																																																																																																																																																																																																																																			
23	17	End of xmit block	ETB	CTRL-W	55	37	7	87	57	W	119	77	w																																																																																																																																																																																																																																																																																																																																																																																																																																																																			
24	18	Cancel	CAN	CTRL-X	56	38	8	88	58	X	120	78	x																																																																																																																																																																																																																																																																																																																																																																																																																																																																			
25	19	End of medium	EM	CTRL-Y	57	39	9	89	59	Y	121	79	y																																																																																																																																																																																																																																																																																																																																																																																																																																																																			
26	1A	Substitute	SUB	CTRL-Z	58	3A	:	90	5A	Z	122	7A	z																																																																																																																																																																																																																																																																																																																																																																																																																																																																			
27	1B	Escape	ESC	CTRL-[59	3B	;	91	5B	[123	7B	{																																																																																																																																																																																																																																																																																																																																																																																																																																																																			
28	1C	File separator	FS	CTRL-\	60	3C	<	92	5C	\	124	7C																																																																																																																																																																																																																																																																																																																																																																																																																																																																				
29	1D	Group separator	GS	CTRL-]	61	3D	=	93	5D]	125	7D	}																																																																																																																																																																																																																																																																																																																																																																																																																																																																			
30	1E	Record separator	RS	CTRL-^	62	3E	>	94	5E	^	126	7E	~																																																																																																																																																																																																																																																																																																																																																																																																																																																																			
31	1F	Unit separator	US	CTRL-`	63	3F	?	95	5F	`	127	7F	DEL																																																																																																																																																																																																																																																																																																																																																																																																																																																																			

Mode

Global Configuration Mode

Prerequisites

- Only the root user can enable the password for any other blocked user using this command
- This command allows the root user to enable a password for other users to access the commands in the specified privilege level. The other users can access commands in the privilege level using the password enabled for that level.

Examples

iS5Comm (config)# enable password level 1 Ad@1231

1. Switch-3(config)# snmp user user1 auth sha Abcd1234!@ priv DES Abcd1234!@

Switch-3(config)# snmp user user2 auth sha Abcd1234!!#\$% priv DES Abcd1234!!#\$%

% Invalid token at input

2. Switch-3(config)# snmp user user2 auth sha Abcd1234!@#\$%^&()_+{}|:~';<> priv DES Abcd1234!@#\$%^&()_+{}|:~';<>

% Invalid Command

% Invalid Command

% Invalid Command

3. Switch-3(config)# snmp user user3 auth sha ZXvbngH!@#\$%^&*()-+={[]\|:~';<>./?`

% Invalid Command

Switch-3(config)# snmp user user3 auth sha ZXvbngH!@#\$%^&*()-+={[]\|:~';<>./?`

% Invalid Command

4. Switch-3(config)# snmp user user3 auth sha ZXvbngH!@#\$%^&*()-+={[]\|:~';<>./?` priv DES ZXvbngH!@#\$%^&*()-+={[]\|:~';<>./?`

% Invalid Command

% Invalid Command

Switch-3(config)#

5. Switch-3(config)# snmp user user3 auth sha test!@#\$%^&()_+={[]\|:~';<>./?` priv DES test!@#\$%^&()_+={[]\|:~';<>./?`

% Invalid Command

NOTE: As we can see from the examples above, the characters not to be used are marked in red.

3.8. alias

To replace a given token / command by a string, use the **alias** command in Global Configuration Mode. The no form of the command removes the alias created for the given string.

alias

```
alias {interface | configure} <alias-name> <token to be replaced> | token
```

no alias

```
no alias <alias-name>
```

Parameters

Parameter	Type	Description
interface		Enter for Interface Mode commands
configure		Enter for Global Mode commands
<alias-name>	String	Enter abbreviated/short form string to be used.
<token to be replaced>	String	Enter command for which alias name should be configured. <max 10 tokens>
token		Specify the token for which alias name should be configured.

Mode

Global Configuration Mode

Examples

```
iS5Comm(config)# alias int interface
iS5Comm(config)# alias config ct configure terminal
iS5Comm(config)# exit
iS5Comm# show aliases
    ct -> configure terminal
    int -> interface
iS5Comm(config)# exit
iS5Comm(config)# no alias ct
iS5Comm(config)# exit
iS5Comm# show aliases
    int -> interface
```

3.9. access-list

To create an IP access-list and specify packets to be forwarded depending on associated parameters, trigger provisioning of active filter rules to hardware based on configured priority, or configure the provi-

sion mode for the access list, use the command **access-list** in Global Configuration Mode. The no form of the command deletes the IP access-list with a specified access-list number.

access-list

```
access-list <access list> {permit | deny} {any | host <uicast_addr> |  
A.B.C.D(<uicast_addr>) <ip_mask>} |  
commit |  
provision mode {consolidated | immediate}
```

no access-list

```
no access-list <access list>
```

Parameters

Parameter	Type	Description
<access list>		Enter an access list number- a number from 1 to 65535.
permit		Permits access if conditions are matched
deny		Deny access if conditions are matched
any		Enter to permit or deny packets from all addresses
host		Permits or denies packets from the source
<ucast_addr>	A.B.C.D	Enter unicast IP address of the source
A.B.C.D <ucast_addr>	A.B.C.D	Enter unicast IP address of the destination
<ip_mask>	A.B.C.D	Enter IP mask of the destination
commit		Specify to trigger provisioning of active filter rules to hardware based on configured priority. This command is applicable only when provision mode is consolidated. Traffic flow would be impacted when filter-rules are reprogrammed to hardware
provision mode		Enter to specify provisioning mode
consolidated		Enter to specify consolidated provisioning mode. When the provision mode is set to consolidated, the active filter rules are programmed to the hardware based on configured priority only when a commit trigger is issued.
immediate		Enter to specify immediate provisioning mode. In the immediate mode, the active filter rules are programmed immediately in the order of creation.

Mode

Global Configuration Mode

Examples

```
iS5Comm(config)# access-list 2 permit any
```

```
iS5Comm(config)# access-list provision mode consolidated
```

```
iS5Comm(config)# access-list commit
```

```
iS5Comm(config)# no access-list 2
```

3.10. exec-timeout

To set time (in seconds) for EXEC line disconnection with a value ranging from 1 to 18000 seconds, use the **exec-timeout** command in Line Configuration Mode. The no form of the command resets the EXEC timeout to its default value of 1800 seconds.

exec-timeout

```
exec-timeout <integer (1-18000)>
```

no exec-timeout

Parameters

Parameter	Type	Description
<integer (1-18000)>	Integer	Enter time (in seconds) for EXEC line disconnection. This value ranges from 1 to 18000 seconds.

Mode

Line Configuration Mode

Default

Integer - 18000 seconds

Examples

```
iS5Comm# configure terminal
iS5Comm(config)# line console
iS5Comm(config-line)# exec-timeout 18000
iS5Comm(config-line)# end
iS5Comm#
```

3.11. logout

To exit from Privileged EXEC/ User EXEC mode to iS5Comm login prompt in case of console session, use the **logout** command in Privileged EXEC/ User EXEC Mode. In case of a Telnet session, this command terminates the session.

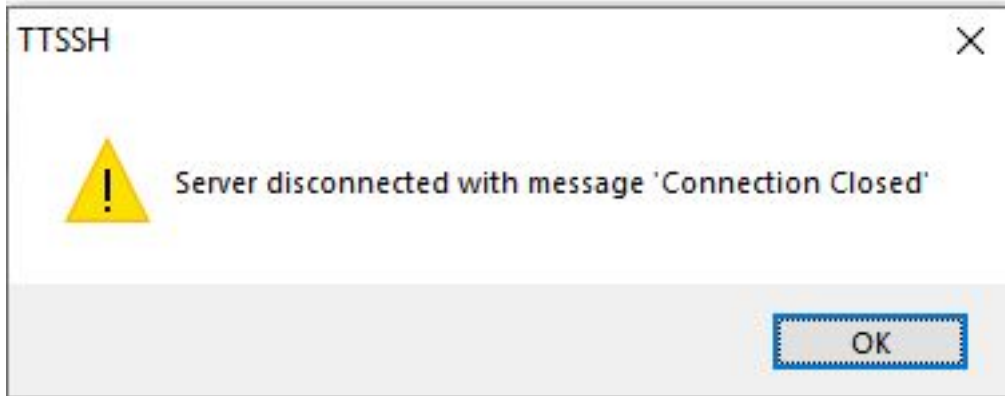
logout

Mode

Privileged EXEC/ User EXEC Mode

Examples

iS5Comm # logout



iS5Comm login:

3.12. end

To exit from the current mode to the Privileged EXEC mode, use the **end** command in all modes.

end

Mode

All modes

Examples

```
iS5Comm(config-if)# end
```

```
iS5Comm#:
```

```
iS5Comm (config)# end
```

```
iS5Comm#:
```

3.13. exit

To exit from the current mode and revert to the mode used prior to this mode, use the **exit** command in all modes.

exit

Mode

All modes

Examples

```
iS5Comm(config-if)# exit
```

```
iS5Comm(config)#:
```

3.14. enableuser

To release a blocked user specified by the user name string, use the **enableuser** command in Global Configuration Mode.

enableuser

```
enableuser <username>
```

Parameters

Parameter	Type	Description
<username>	String	Enter the user ID of the blocked user.

Mode

Global Configuration Mode

Examples

```
iS5Comm (config)# enableuser user1
```

3.15. clear line vty

To clear the virtual terminal line (vty) to an idle stat, use the **clear line vty** command in Global Configuration Mode.

clear line vty

```
clear line vty {2 | all}
```

Parameters

Parameter	Type	Description
vty		Enter to clear the virtual terminal line information related configuration.
2	Integer	Enter 2 for ID of a Telnet session
all		Enter to clear all vty information

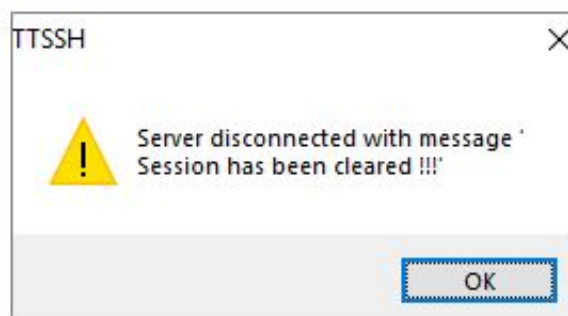
Mode

Global Configuration Mode

Examples

```
i5Comm# clear line vty all
```

The following message appears. Click OK.



3.16. password

To set the maximum life time after which the password has to be expired or determine a password validation mask, use the **password** command in Global Configuration Mode.

password

```
password max-life-time [<days (0-366)>] | validate char [lowercase] [upper-
case] [numbers] [symbols]
```

Parameters

Parameter	Type	Description
max-life-time		Enter to configure the time after which the user password has to expire.
<days (0-366)>		Enter expiry date in days. This value ranges from 0 to 366 days. The default value of password-max-life-time is 0 days, indicates the password does not expire.
validate	String	Enter to configure the type of characters to be considered for password validation rules; takes values as bitmask.
char	String	Enter to create password rules.
lowercase		Specify to configure the minimum number of lower case characters that are to be present in the password. If the given password has less than the configured number of lower case characters, it will not be allowed. This value ranges from 0 to 20. The default value is 1.
uppercase		Specify to configure the minimum number of upper case characters that are to be present in the password. If the given password has less than the configured number of upper case characters, it will not be allowed. This value ranges from 0 to 20. The default value is 1.
numbers		Specify to configure the minimum number of numbers that are to be present in the password. If the given password has less than the configured number of upper case characters, it will not be allowed. This value ranges from 0 to 20. The default value is 1.
symbols		Specify to configure the minimum number of symbols to be present in the password. If the given password has less than the configured number of numerical characters, it will not be allowed. This value ranges from 0 to 20. The default value is 1. The list of supported symbols are as follows: !@#\$%^&*()_+~:;{} \`~

Mode

Global Configuration Mode

Examples

```
iS5Comm(config)# password max-life-time 1
iS5Comm(config)# password validate lowercase 1
iS5Comm(config)# password validate uppercase 1
iS5Comm (config) # password validate numbers 1
iS5Comm (config) # password validate symbols 1
```

3.17. set user

To modify user status and enable/disable a user or enable/disable forced password reset, use the command **set user** in Global Configuration Mode.

set user

```
set user <username string (8-64)> [status {enable | disable}] [password-reset {enable | disable}]
```

Parameters

Parameter	Type	Description
<username string (8-64)>		Enter a user name. This is a string with a minimum of 8 and maximum of 64 characters.
status		Enter to set the state of user account.
enable		Enter to enable the account for use.
disable		Enter to disable the account for logging in.
password-reset		Enter to force a user to reset or not reset his /her password upon subsequent login depending on the selected option.
enable		Enter to force a user to reset his /her password upon subsequent login.
disable		Enter to not prompt a user to reset his /her password upon subsequent login.

Mode

Global Configuration Mode

Examples

```
iS5Comm(config)# set user guestonly status enable
```

To disable an user, use the following command

```
iS5Comm(config)# set user tech status disable
```

Maximum Number of Users Allowed

Maximum number of users allowed is 15.

3.18. set minimum password length

To configure minimum password length, use the **set minimum password length** command in Global Configuration Mode. If the given password has less than the configured password length, it will not be allowed.

set minimum password length

```
set minimum password length <minimum-len>
```

Parameters

Parameter	Type	Description
<minimum-len> (8-20)	Integer	Enter the minimum password length value which ranges from 8 to 20. The default value is 8.

Mode

Global Configuration Mode

Examples

```
iS5Comm(config)# set minimum password length 8
```

3.19. set cli pagination

To enable and disable CLI pagination, use the **set cli pagination** command in Global Configuration Mode. The no form of the command **no pagination** disables the pagination as well. The pagination setting is

saved as part of the NVRAM settings and remains persistent across reboots/restarts. After changing the settings executing the “write startup-config” command is not required.

set cli pagination

```
set cli pagination {on | off}
```

no pagination

```
no pagination
```

Parameters

Parameter	Type	Description
on		Enter the enable pagination.
off		Enter the disable pagination.

Mode

Global Configuration Mode

Examples

```
iS5Comm(config)# set cli pagination off
```

```
iS5Comm(config)# set cli pagination on
```

```
iS5Comm(config)# no pagination
```

3.20. set banner-name

To configure the switch’s banner name, use the **set banner-name** command in Global Configuration Mode.

set banner-name

```
set banner-name <string (50)>
```

Parameters

Parameter	Type	Description
<code><string (50)></code>	String	Enter a banner name. The banner name is a string with maximum size of 128.

Mode

Global Configuration Mode

Examples

```
iS5Comm (config)# set banner-name bannername
```

3.21. set prompt-name

To configure the switch's CLI prompt name, use the **set prompt-name** command in Global Configuration Mode.

set prompt-name

```
set prompt-name <string (50)>
```

Parameters

Parameter	Type	Description
<code><string (50)></code>	String	Enter a prompt name. The banner name is a string with maximum size of 128.

Mode

Global Configuration Mode

Examples

```
iS5Comm (config)# set prompt-name promptname
```

3.22. factory reset

To reset to the default configuration of the switch and erase user privileges and group flash files, use the **factory reset** command in Privileged EXEC Mode.

factory reset

```
factory reset users
```

Parameters

Parameter	Type	Description
users		Enter to erase user privileges and group flash files.

Mode

Privileged EXEC Mode

Examples

```
iS5Comm # factory reset
```

```
Factory reset will erase following configurations..
```

1. Startup-config
2. NVRAM settings
3. Flash files

- users
- privil
- groups

```
Are you sure you want to reset device to factory default settings? (Y/N)
[N]?
```

3.23. show privilege

To show current user privilege level, use the **show privilege** command in Privileged EXEC Mode.

show privilege

```
show privilege
```

Mode

Privileged EXEC Mode

Examples

```
iS5Comm# show privilege
```

3.24. show line

To display TTY line information such as EXEC timeout, use the **show line** command in Privileged EXEC Mode.

show line

```
show line {console | vty <line>}
```

Parameters

Parameter	Type	Description
console		Enter to display the console information
vty		Enter to display information for the virtual terminal line
<line>	Integer	Enter the ID of a specific Telnet session for which the information will be displayed. The range is from 2 to 9.

Mode

Privileged EXEC Mode

Examples

```
iS5Comm# show line console
```

```
Current Session Timeout (in secs) = 180
Default Telnet Session Timeout (in secs) = 180
```

```
iS5Comm# show line vty 3
```

```
Current Session Timeout (in secs) = 180
Default Telnet Session Timeout (in secs) = 180
% Line 2 not active
```

```
iS5Comm# show line vty 2
```

```
% Line 2 not active
```

3.25. show aliases

To display all aliases, use the **show aliases** command in Privileged EXEC Mode.

show aliases

```
show aliases
```

Mode

Privileged EXEC Mode

Examples

```
iS5Comm# show aliases
  ct -> configure terminal
  int -> interface
```

3.26. show history

To display a list of recently executed commands, use the **show history** command in Privileged EXEC Mode.

show history

```
show history
```

Mode

Privileged EXEC Mode

Examples

```
iS5Comm# show history
  3  show privilege
  4  show line vty 3
  5  show vty 2
  6  show line vty 2
  7  show line console
  8  show aliases
  9  c t
 10  alias ct configure terminal
 11  alias config ct configure terminal
```



```
12  alais int interface
13  alias int interface
14  exit
15  show aliases
16  show users
17  show history
```

3.27. show eula

To display the information about the end user license agreement (eula), use the **show eula** command in Privileged EXEC Mode.

show eula

```
show eula
```

Mode

Privileged EXEC Mode

Examples

```
iS5Comm# show eula
```

3.28. show users

To display the information about the current user, use the **show users** command in Privileged EXEC Mode.

show users

```
show users
```

Mode

Privileged EXEC Mode

Examples

```
iS5Comm# show users
```

Line	User	Peer-Address
3 ssh	admin	192.168.10.10

3.29. set cli-console access

To enable or disable the switch's CLI console port

set cli-console

```
set cli-console access {enable | disable }
```

Parameters

Parameter	Type	Description
enable / disable	String	Used to enable or disable access to the cli console port

Mode

Global Configuration Mode

Examples

```
iS5Comm (config)# set cli-console access enable
```

Related Commands

```
iS5Comm# show nvram
```

3.30. set mgmt-port access

To enable or disable the switch's management port

set mgmt-port

```
set mgmt-port access {enable | disable }
```

NOTE: This command is not supported on both the iMR320 and iMR920

Parameters

Parameter	Type	Description
enable / disable	String	Used to enable or disable access to the management port

Mode

Global Configuration Mode

Examples

```
iS5Comm (config)# set mgmt-port access enable
```

Related Commands

```
iS5Comm# show nvram
```

3.31. set external-storage access

To enable or disable the switch's storage peripherals

set external-storage

```
set external-storage access {enable | disable}
```

Parameters

Parameter	Type	Description
enable / disable	String	Used to enable or disable access to the storage peripherals such as the SD Card and USB port.

Mode

Global Configuration Mode

Examples

```
iS5Comm (config)# set external-storage access enable
```

Related Commands

iS5Comm# show nvram

System Features

4. System Features

A rich set of system features are available to the user, such as login services, copying / writing facilities, duplex / negotiation support, and many other capabilities.

Some features have special hardware requirements, and others have special design considerations.

4.1. ip address

To set the IP address for an interface, use the command **ip address** in Interface Configuration Mode. The **no** form of the command delete the IP Address configured on the given interface, resets the IP address of the interface to its default value, and deletes the IP address used in VPN and firewall.

ip address

```
ip address <ucast_addr> <ip_mask> [secondary {node0 | node1}] | dhcp
{client-id (FastEthernet <string(32)> | GigabitEthernet <string(32)> |
Port-channel <string(32)> | Vlan <string(32)>)} | hostname <string(32)>} |
rarp {client-id (FastEthernet | GigabitEthernet | Port-channel | Vlan) |
hostname <string(32)>}
```

no ip address

```
no ip address {<ucast_addr> | cybsec}
```

Parameters

Parameter	Type	Description
<uicast_addr>	A.B.C. D	Sets the IP address for an interface. If the network in which the switch is implemented contains a server such as DHCP server, dynamically allocating IP address, the configured IP address should not be within the range of the addresses that will be allocated by the server to the other switches. This precaution avoids creation of IP address conflicts between the switches.
<ip_mask>	A.B.C. D	Sets the subnet mask for the configured IP address. The configured subnet mask should be in the same subnet of the network in which the switch is placed.
secondary	A.B.C. D	Sets the configured IP address as an additional IP address for the interface (the configured address is used as secondary address instead of primary address). NOTE: this parameter is not supported on OOB and PPP interface.
node0	A.B.C. D	Specifies the secondary IP address associated with the OOB interface of Node0.
node1	A.B.C. D	Specifies the secondary IP address associated with the OOB interface of Node1.
dhcp		Enter to allow the client device to obtain configuration parameters such as network address, from the DHCP server.
client-id		Enter to set the client identifier that specifies the interface type and hexadecimal MAC address of the specified interface. The various interface types that can be specified areas shown below.
FastEthernet		Enter to set FastEthernet client-id. FastEthernet is officially referred to as 100BASE-T standard. This is a version of LAN standard architecture that supports data transfer up to 100 Megabits per second.
<string(32)>		Enter string for interface name. This value is a combination of slot number and port number separated by a slash, for interface type other than port-channel and VLAN. Only VLAN or port-channel ID is provided, for interface types VLAN and port-channel. Use comma as a separator without space while configuring list of interfaces. Example: 0/1,0/3 or 1,3.
GigabitEthernet		Enter to set GigabitEthernet client-id. GigabitEthernet is a version of LAN standard architecture that supports data transfer up to 1 Gigabit per second.

Parameter	Type	Description
<string(32)>		Enter string for interface name. This value is a combination of slot number and port number separated by a slash, for interface type other than port-channel and VLAN. Only VLAN or port-channel ID is provided, for interface types VLAN and port-channel. Use comma as a separator without space while configuring list of interfaces. Example: 0/1,0/3 or 1,3.
Port-channel		Enter to set Port-channel client-id. Port-channel is a logical interface that represents an aggregator that contains several ports aggregated together.
<string(32)>		Enter string for interface name. This value is a combination of slot number and port number separated by a slash, for interface type other than port-channel and VLAN. Only VLAN or port-channel ID is provided, for interface types VLAN and port-channel. Use comma as a separator without space while configuring list of interfaces. Example: 0/1,0/3 or 1,3.
Vlan		Enter to set Vlan client-id. Vlan is a logical interface that specifies a group of hosts that can communicate with each other as in the same broadcast domain.
<string(32)>		Enter string for interface name. This value is a combination of slot number and port number separated by a slash, for interface type other than port-channel and VLAN. Only VLAN or port-channel ID is provided, for interface types VLAN and port-channel. Use comma as a separator without space while configuring list of interfaces. Example: 0/1,0/3 or 1,3.
hostname		Enter to set Port-channel client-id. Port-channel is a logical interface that represents an aggregator that contains several ports aggregated together.
<string(32)>		Enter string for interface name. This value is a combination of slot number and port number separated by a slash, for interface type other than port-channel and VLAN. Only VLAN or port-channel ID is provided, for interface types VLAN and port-channel. Use comma as a separator without space while configuring list of interfaces. Example: 0/1,0/3 or 1,3.
rarp		Enter to set Port-channel client-id. Port-channel is a logical interface that represents an aggregator that contains several ports aggregated together.
client-id		Enter to set the client identifier that specifies the interface type and hexadecimal MAC address of the specified interface. The various interface types that can be specified areas shown below:

Parameter	Type	Description
FastEthernet		Enter to set FastEthernet client-id. FastEthernet is officially referred to as 100BASE-T standard. This is a version of LAN standard architecture that supports data transfer up to 100 Megabits per second.
<string(32)>		Enter string for interface name. This value is a combination of slot number and port number separated by a slash, for interface type other than port-channel and VLAN. Only VLAN or port-channel ID is provided, for interface types VLAN and port-channel. Use comma as a separator without space while configuring list of interfaces. Example: 0/1,0/3 or 1,3.
GigabitEthernet		Enter to set GigabitEthernet client-id. GigabitEthernet is a version of LAN standard architecture that supports data transfer up to 1 Gigabit per second.
<string(32)>		Enter string for interface name. This value is a combination of slot number and port number separated by a slash, for interface type other than port-channel and VLAN. Only VLAN or port-channel ID is provided, for interface types VLAN and port-channel. Use comma as a separator without space while configuring list of interfaces. Example: 0/1,0/3 or 1,3.
Port-channel		Enter to set Port-channel client-id. Port-channel is a logical interface that represents an aggregator that contains several ports aggregated together
<string(32)>		Enter string for interface name. This value is a combination of slot number and port number separated by a slash, for interface type other than port-channel and VLAN. Only VLAN or port-channel ID is provided, for interface types VLAN and port-channel. Use comma as a separator without space while configuring list of interfaces. Example: 0/1,0/3 or 1,3.
Vlan		Enter to set Vlan client-id. Vlan is a logical interface that specifies a group of hosts that can communicate with each other as in the same broadcast domain.
<string(32)>		Enter string for interface name. This value is a combination of slot number and port number separated by a slash, for interface type other than port-channel and VLAN. Only VLAN or port-channel ID is provided, for interface types VLAN and port-channel. Use comma as a separator without space while configuring list of interfaces. Example: 0/1,0/3 or 1,3.
hostname		Enter to set Port-channel client-id. Port-channel is a logical interface that represents an aggregator that contains several ports aggregated together.

Parameter	Type	Description
<string(32)>		Enter string for interface name. This value is a combination of slot number and port number separated by a slash, for interface type other than port-channel and VLAN. Only VLAN or port-channel ID is provided, for interface types VLAN and port-channel. Use comma as a separator without space while configuring list of interfaces. Example: 0/1,0/3 or 1,3.
cybsec		Enter IP address used in VPN and firewall.

Mode

Interface Configuration Mode

This command is applicable in VLAN Interface Mode/Router Interface / OOB Interface Mode / PPP mode

Default

- IP address specified in nvram.txt is taken as default for the default VLAN identifier.
- IP address is assigned as 0.0.0.0 and subnet mask as 255.255.255.255 for other interfaces.

Prerequisites

- The interface should be shut down before executing this command.
- The primary and secondary IP addresses should be different.
- The primary address should be configured before configuring the secondary address.
- The connection to the switch is lost if the IP address of the connected interface is modified.
- When the same network interface is used for OOB and NFS mounting, the operation done on OOB will have impact on NFS.
- For PPP mode, PPP interface should be attached to the physical interface first.

Examples

```
iS5Comm(config-if)# ip address 10.0.0.3 255.255.255.0
```

```
iS5Comm(config-if)# ip address 10.0.0.2 255.255.255.0 secondary
```

```
iS5Comm (config-ppp)# ip address 17.0.0.100 255.255.255.
```

```
iS5Comm(config-if)# ip address dhcp
```

```
iS5Comm(config-if)# ip address rarp
```

4.2. switchport

To configure the port as switch port, use the command **switchport** in Interface Configuration Mode. Switch port-related commands are made available for the interface, only when the port is configured as switch port. The no form of the command resets the port as a router port. Only router port related commands are made available for the interface, when the port is configured as router port.

switchport

```
switchport
```

no switchport

```
no switchport
```

Mode

Interface Configuration Mode

Default

- switchport

Prerequisites

- The interface should be shut down before executing this command

Examples

```
iS5Comm(config-if)# switchport
```

```
iS5Comm(config-if)# no switchport
```

4.3. default ip address allocation protocol

To configure the protocol used by the default interface for acquiring its IP address, use the command **default ip address allocation protocol** in Global Configuration Mode. This configuration takes effect only on rebooting the system.

default ip address allocation protocol

```
default ip address allocation protocol {bootp | rarp | dhcp}
```

Parameters

Parameter	Type	Description
bootp		Enter to allow the client device to obtain its own IP address, address of a server host and name of a boot file to be executed from a BOOTP server.
rarp		Enter to allow the client device to dynamically find its IP address from RARP server, when it has only its hardware address such as MAC address
dhcp		Enter to allow the client device to obtain configuration parameters such as network address, from the DHCP server.

Mode

Global Configuration Mode

Default

dhcp

Prerequisites

- This command executes only if the default mode is configured as Dynamic.
- If the default interface is configured as OOB and if the same network interface is used for OOB and NFS mounting, then the operation done on OOB will have impact on NFS.

Examples

```
iS5Comm(config)# default ip address allocation protocol bootp
```

4.4. ip http

To set the *HTTP* port, use the command **ip http** in Global Configuration Mode. The no form of the command resets the *HTTP* port to its default value.

ip http

```
ip http {port <port-number (1-65535)> | secure (ciphersuite {TLS_ECDHE_RSA_WITH_AES_256_GCM_SHA384 | TLS_ECDHE_RSA_WITH_CHACHA20_POLY1305_SHA256 | TLS_AES_256_GCM_SHA384 | TLS_CHACHA20_POLY1305_SHA256 | TLS_AES_128_GCM_SHA256 } | port (1-65535) | minimum version {TLSv1_2 | TLSv1_3} | crypto key RSA2048 {default | current | string values } server)}
```

no ip http

```
no ip http port | secure
```

Parameters

Parameter	Type	Description
port		Enter to configure HTTP port. his port is used to configure the router using the Web interface. The available port numbers are from 1 to 65535
<port-number (1-65535)>	Integer	Enter a port number. The available port numbers are from 1 to 65535 NOTE: TACACS user will be given root privilege by default or local user privilege if the user exists in local database
secure		Enter for SSL secure server related configuration. The options are as follows:
ciphersuite		Enter for Cipher-suites list options.
CR		Enter to disable SSL server on the device and also to disable ciphersuites and crypto key configuration. If you want to specify an encryption algorithm, enter one of the shown below options.
TLS_ECDHE_RSA_W ITH_AES_256_GCM _SHA384		Enter for this encryption algorithm.
TLS_ECDHE_RSA_W ITH_CHACHA20_PO LY1305_SHA256		Enter for this encryption algorithm.
TLS_AES_256_GCM _SHA384		Enter for this encryption algorithm.
TLS_CHACHA20_PO LY1305_SHA256		Enter for this encryption algorithm.
TLS_AES_128_GCM _SHA256		Enter for this encryption algorithm.
minimum version		This is used to specify the minimum level of TLS to be used. The choices are as follows.
TLSv1_2		TLS version 1.2
TLSv1_3		TLS version 1.3
rsa-with-aes-25 6-cbc-sha		Enter for this encryption algorithm.
crypto		Enter a name of the created list.

Parameter	Type	Description
key		
RSA2048		Enter for RSA algorithm.
default		This option will use the default RSA 2048 certificate values. A carriage return is entered after this option.
current		Use the current certificate subject name
Certificate Values are entered	A series of Strings	Up to 2 characters for the country code string Up to 100 characters for the state/province value Up to 100 characters for the city/locality value Up to 100 characters for the organization value Up to 100 characters for the organizational unit name Up to 100 characters for the common name
server		Enter to enable the SSL server on the device and also to configure the ciphersuites.
port		The port option when used after secure. For example “ip http secure port” allows the user to specify the port number of the HTTPS server. It is followed by a port number.
<port-number (1-65535)>	Integer	Value of the port number to be used by the HTTPS server.

Mode

Global Configuration Mode

Default

80

Prerequisites

HTTP port number configuration takes effect only when HTTP is disabled and enabled again

Examples

```
iS5Comm(config)# ip http port 90
```

```
iS5Comm(config)# ip http secure ciphersuite
```

For a new certificate to be used, the HTTP service must be disabled and then re-enabled.

```
(config)# no ip http secure server  
iS5Comm(config)# ip http secure server
```

4.5. login authentication

To configure the authentication method for user logins for accessing the GUI to manage the switch, use the command **login authentication** in Global Configuration Mode. Few network routers and other network equipment allows access to a server or a managing computer to determine if the user attempting to log in has the proper rights or is in the user database. The no form of the command resets the authentication method for user logins to its default values. Changing login authentication from default to another value may disconnect the telnet session.

login authentication

```
login authentication {radius | tacacs | local | default <string(32)>}
```

no login authentication

```
no login authentication default <string(32)>
```

Parameters

Parameter	Type	Description
radius		Enter to set the RADIUS server to be used as an authentication server. Enables remote access servers to communicate with a central server to authenticate dial-in users and authorize their access to the requested system or service. NOTE: RADIUS user will be given privilege based on service type attribute value received in access accept packet from radius server
tacacs		Enter to set the TACACS server to be used as an authentication server. It communicates with the authentication server commonly used in networks. RADIUS user will be given privilege based on service type attribute value received in access accept packet from radius server NOTE: TACACS user will be given root privilege by default or local user privilege if the user exists in local database
local		Enter to set local authentication. The user identification, authentication, and authorization method is chosen by the local system administration and does not necessarily comply with any other profiles.
default		Enter to set the default authentication method for User Login.
<string 932)>		Enter a name of the created list.

Mode

Global Configuration Mode

Default

local

Examples

```
iS5Comm(config)# login authentication radius
```

```
iS5Comm(config)# login authentication default
```

4.6. set ip http

To enable / disable HTTP in the switch, use the command **set ip http** in Global Configuration Mode.

set ip http

```
set ip http {enable | disable}
```

Parameters

Parameter	Type	Description
enable		Enter to enable HTTP in the switch.
disable		Enter to disable HTTP in the switch.

Mode

Global Configuration Mode

Default

enable

Examples

```
iS5Comm(config)# set ip http disable
```

4.7. authorized-manager ip-source

To configure an IP authorized manager, use the command **authorized-manager ip-source** in Global Configuration Mode. The no form of the command removes manager from authorized managers list.

authorized-manager ip-source

```
authorized-manager ip-source <ip_addr> [<subnet-mask> |
<prefix-length(1-32)>] | [interface {[fastethernet interface-type <0/a-b,
0/c, ...>] | [gigabitethernet interface-type <0/a-b, 0/c, ...>] |
[extreme-ethernet <interface-type <a,b or a-b or a,b,c-d...>] | [vlan [vlan
<a,b or a-b or a,b,c-d>] [cpu0] [service [snmp] | [service [snmp] | [telnet]
| [http] | [https] | [ssh]] | port-channel <port_channel list (a,b or a-b or
a,b,c-d)>]
```

no authorized-manager ip-source

```
no authorized-manager ip-source <ip_addr> [<subnet-mask> |
<prefix-length(1-32)>]
```

Parameters

Parameter	Type	Description
ip_addr	A.B.C.D	Enter to set the network or host address from which the switch is managed. An address 0.0.0.0 indicates 'Any Manager'.
<subnet-mask>		Enter to set the subnet mask for the configured IP address. The configured subnet mask should be in the same subnet of the network in which the switch is placed
<prefix-length (1-32)>	Integer	Enter to configure the number of high-order bits in the IP address. These bits are common among all hosts within a network. This value ranges from 1 to 32.
interface		Configures the network or host address for the specified interface. The details to be provided are:
fastethernet		Enter for fastethernet. Officially referred to as 100BASE-T standard. This is a version of LAN standard architecture that supports data transfer up to 100 Megabits per second.
interface-type <0/a-b, 0/c, ...>		Enter to set the list of interfaces or a specific interface identifier. This value is a combination of slot number and port number separated by a slash. Use comma as a separator without space while configuring list of interfaces. Example: 0/1,0/3 or 1,3.
gigabitethernet		Enter for gigabitethernet.
interface-type <0/a-b, 0/c, ...>		Enter to set the list of interfaces or a specific interface identifier. This value is a combination of slot number and port number separated by a slash. Use comma as a separator without space while configuring list of interfaces. Example: 0/1,0/3 or 1,3.
extreme-ethernet		Enter for extreme-ethernet.
interface-type <a,b or a-b or a,b,c-d...>		Enter to set the list of interfaces or a specific interface identifier. This value is a combination of slot number and port number separated by a slash. Use comma as a separator without space while configuring list of interfaces. Example: 0/1,0/3 or 1,3.
vlan		Enter for vlan. It set the list of VLANs or a single specific VLAN in which the IP authorized manager can reside
vlan <a,b or a-b or a,b,c-d>		Enter to determine the set of vlan interfaces.
cpu0		Enter to configure the access rights for the manager of the switch through OOB Port

Parameter	Type	Description
<code>service</code>		Enter to configure the type of service to be used by the IP authorized manager. The values can be
<code>snmp</code>		Enter for snmp. It manages complex networks. SNMP works by sending messages, called PDUs, to different parts of a network. SNMP-compliant devices, called agents, store data about themselves in MIBs and return this data to the SNMP requesters
<code>http</code>		Enter for HTTP service. It defines how messages are formatted and transmitted, and what actions Web servers and browsers should take in response to various commands. For example, when you enter a URL in your browser, this actually sends an HTTP command to the Web server directing it to fetch and transmit the requested Web page
<code>https</code>		Enter for HTTPS service. It transmits data securely over the World Wide Web. S-HTTP is designed to transmit individual messages in a secured manner.
<code>ssh</code>		Enter for SSH service. It logs into another computer over a network, to execute commands in a remote machine, and to move files from one machine to another. It provides strong authentication and secure communications over insecure channels. It is a replacement for rlogin, rsh, rcp, and rdist. SSH protects a network from attacks such as IP spoofing, IP source routing, and DNS spoofing. An attacker who has managed to take over a network can only force ssh to disconnect. He or she cannot play back the traffic or hijack the connection when encryption is enabled
<code>telnet</code>		Enter for Telnet service.
<code>port-channel</code>		Enter for port-channel.
<code>port_channel list (a,b or a-b or a,b,c-d)</code>		Enter a combination for port_channel list. This value is a combination of numbers separated by a slash. Use comma as a separator without space while configuring list.

Mode

Global Configuration Mode

Default

All services are allowed for the configured manager

Examples

```
iS5Comm(config)# authorized-manager ip-source 10.203.113.5 255.255.255.255 inter face gigabiteth-
ernet 0/1
```

4.8. mtu

To configure the Maximum Transmission Unit (MTU) frame size for all frames transmitted and received on all interfaces in a switch, use the command **mtu** in Interface Configuration Mode. The no form of this command sets the maximum transmission unit to the default value in all interfaces.

mtu

```
mtu <frame-size (46-9216)>
```

Parameters

Parameter	Type	Description
<frame-size (46-9216)>	Integer	Enter a size of the MTU frame. The value ranges from 46 to 9216 and defines the largest PDU that can be passed by the interface without any need for fragmentation. This value is shown to the higher interface sub-layer and should not include size of the encapsulation or header added by the interface. This value represents the IP MTU over the interface, if IP is operating over the interface

Mode

Interface Configuration Mode

Default

1500

Examples

```
iS5Comm (config-if)# mtu 900
```

4.9. loopback local

To enable loopback on a physical interface, use the command **loopback local** in Interface Configuration Mode. The **no loopback local** command disables the loopback on a physical interface.

loopback local

no loopback local

Mode

Interface Configuration Mode

Examples

```
iS5Comm (config-if)# loopback local
```

4.10. archive download-sw

To perform an image download operation on a switch stack or download a new image from a TFTP or SFTP from a remote location to the switch and to overwrite or keep the existing image, use the command **archive download-sw** in Privileged EXEC Mode.

archive download-sw

```
archive download-sw /overwrite {<tftp://server/filename> |  
<sftp://<user-name>:<pass-word>@server/filename> | <flash://}
```

Parameters

Parameter	Type	Description
<code>/overwrite</code>		Enter to overwrites the software image in flash with the downloaded one. This option should be specified only if the flash device has sufficient space to hold two images.
<code>tftp://server/filename startup-config</code>		Enter to configure the source URL and filename used to overwrite / update the existing image. The file is transferred using TFTP.
<code><sftp://<user-name>:<pass-word>@server/filename></code>		Enter to configure the source URL, user name, password and filename used to overwrite / update the existing image. The file is transferred using SFTP.
<code>user-name</code>		Enter for the user name of remote host or server
<code>pass-word</code>		Enter for the password for the corresponding user name of remote host or server
<code>server</code>	A.B.C.D	Enter for the IP address or host name of the server
<code>filename</code>		Enter for filename in which we are copying
<code>flash</code>		Enter to configure the name of the flash file used to overwrite / update the existing image

Mode

Privileged EXEC Mode

Prerequisites

Filenames and directory names are case sensitive

Examples

```
iS5Comm# archive download-sw /overwrite tftp://20.0.0.1/FILENAME.exe
```

```
Download is in Progress...
```

4.11. interface

To configure interface features, such as out of band management, port channel, tunnel, etc., use the command **interface** in Global Configuration Mode. The no form of the command deletes interface such as VLAN, port-channel, tunnel interface, etc.

interface

```
interface {Extreme-Ethernet <interface-id> | gigabitethernet <interface-id>]  
| ac <integer (1-65535)> | linuxvlan <interface name> | loopback <loopback  
(1-1000)> | mgmt0 | port-channel <port-channel-id (1-65535)> | ppp <inter-  
face-id(1-128)> | pw <interface-id (1-65535)> | range {Extreme-Ethernet |  
fastethernet | gigabitethernet} | s-channel <s-channel-id (1-65535)> |  
tunnel <interface-id(1-128)> | {vlan <vlan-id(1-4094)> [switch default]}
```

no interface

```
interface {Extreme-Ethernet <interface-id> | gigabitethernet <interface-id>]  
| ac <integer (1-65535)> | linuxvlan <interface name> | loopback <loopback  
(1-1000)> | port-channel <port-channel-id (1-65535)> | ppp <inter-  
face-id(1-128)> | pw <interface-id (1-65535)> | range {Extreme-Ethernet |  
fastethernet | gigabitethernet} | tunnel <interface-id(1-128)> | {vlan  
<vlan-id(1-4094)>}
```

Parameters

Parameter	Type	Description
Gigabitethernet		Enter to configure gigabitethernet type of interface. Gigabitethernet is a version of LAN standard architecture that supports data transfer up to 1 Gigabit per second.
<interface-id>		Enter to configure a specific slot number / port number. The format is <0>/<1-28> without spaces between Slot Number/Port Number. For example, 0/1.
Extreme-Ethernet		Enter to configure the Extreme-Ethernet type of interface. Extreme Ethernet is a version of Ethernet that supports data transfer up to 10 Gigabits per second and only full duplex links
ac		Enter to configure the Attachment Circuit identifier in the system. Attachment Circuit (AC) is a physical or virtual circuit attaching a Customer Edge to a Provider Edge port.
<integer (1-65535)>	Integer	Enter a specific ac ID. This value ranges from 1 to 65535.
linuxvlan		Enter to configure the interface name of the Linux VLAN Interface.
<interface name>	Integer	Enter a specific Linux VLAN ID. This value ranges from 1 to 65535.
loopback		Enter to display the IP interface configuration for the specified loopback ID
<loopback-id (0-100)>	Integer	Enter a specific loopback ID. This is a unique value that represents the specific loopback created that ranges from 0 to 100.
mgmt0		Enter for Out of Band management interface.
port-channel		Enter to display the Port channel interface configuration for the specified port channel ID
<port-channel-id (1-65535)>	Integer	Enter a specific port channel ID. This value ranges from 1 to 65535.
ppp		Enter to configure the PPP interface configuration.
<interface-id (1-128)>	Integer	Enter a PPP ID. This value ranges from 1 to 128.
pw		Enter to configure the Pseudo wire interface
<interface-id (1-65535)>	Integer	Enter a specific pw ID. This value ranges from 1 to 65535.

Parameter	Type	Description
range		Enter to configure interface range configuration
Gigabitethernet		Enter to configure gigabitethernet type of interface. Gigabitethernet is a version of LAN standard architecture that supports data transfer up to 1 Gigabit per second.
fastethernet		Enter to configure fastethernet type of interface or as referred to as 100BASE-T standard. This is a version of LAN standard architecture that supports data transfer up to 100 Megabits / second.
Extreme-Ethernet		Enter to display the Extreme-Ethernet type of interface. Extreme Ethernet is a version of Ethernet that supports data transfer up to 10 Gigabits per second and only full duplex links
s-channel		Enter to configure S-channel interface or the specified S-channel ID.
<interface-id (1-65535)>	Integer	Enter a specific s-channel ID. This value ranges from 1 to 65535.
tunnel		Enter to display the tunnel interface configuration for the specified tunnel ID
<tunnel-id (1-128)>	Integer	Enter a tunnel ID. This value ranges from 1 to 128.
vlan		Enter a specific VLAN ID. This is a unique value that represents the specific VLAN created that ranges from 1 to 4094.
<vlan-id(1-4094)>	Integer	Enter a specific VLAN ID. This is a unique value that represents the specific VLAN created that ranges from 1 to 4094.
switch default		Enter to specify default switch.

Mode

Global Configuration Mode

Prerequisites

- The command no shutdown must be executed for the interface to be active.
- Logical interfaces cannot be created in the switch, if the base bridge mode is configured as transparent bridging.

Examples

```
iS5Comm# interface tunnel 0
iS5Comm(config-if)#
```

4.12. mac-addr

To configure unicast MAC address for the interface, use the command **mac-addr** in Interface Configuration Mode.

mac-addr

```
mac-addr <aa:aa:aa:aa:aa:aa>
```

Mode

Interface Configuration Mode

Default

MAC address of the switch is assigned as MAC address for the interface.

Prerequisites

- The MAC address can be set only when `ifMainAdminStatus` for the interface is down.
- The object is valid only for interfaces that have the `ifMainType` set as `ethernetCsmacd(6)` or `ieee8023ad(161)`

Examples

```
iS5Comm (config-if)# mac-addr 00:22:33:44:55:66
```

4.13. system

To configure the Maximum Transmission Unit (MTU) frame size for all frames transmitted and received on all interfaces in a switch, to assign system contact information, name, and location, use the command **system** in Global Configuration Mode. The `no` form of this command sets the maximum transmission unit to the default value in all interfaces

system

```
system [mtu <frame-size(46-9216)>] [contact <string(255)>] [location
<string(255)>] [name <string(255)>]
```

no system mtu**Parameters**

Parameter	Type	Description
mtu		Enter to configure the Maximum Transmission Unit (MTU) frame size.
<frame-size (46-9216)>	Integer	Enter a size of the MTU frame. The value ranges from 46 to 9216. This value defines the largest PDU that can be passed by the interface without any need for fragmentation. This value is shown to the higher interface sub-layer and should not include size of the encapsulation or header added by the interface. This value represents the IP MTU over the interface if IP is operating over the interface.
contact		Enter to configure the system contact information.
<string(255)>		Enter a string for contact information / location / system name respectively
location		Enter to configure the system location.
name		Enter to configure the system name.

Mode

Global Configuration Mode

Examples

```
iS5Comm(config)# system mtu 200
iS5Comm(config)# system contact support@x.com
iS5Comm(config)# system location Controls
iS5Comm(config)# system name My_switch
```

4.14. snmp trap link-status

To enable snmp trap link-status, use the command **snmp trap link-status** in Global Configuration Mode. The interface generates linkUp or linkDown trap. The linkUp trap denotes that the communication link is

available and ready for traffic flow. The linkDown trap denotes that the communication link failed and is not ready for traffic flow. The no form of this command disables trap generation on the interface.

snmp trap link-status

no snmp trap link-status

Mode

Interface Configuration Mode

Default

SNMP trap link status is enabled

Prerequisites

- This configuration can be done, only if the interface is administratively down.
- Any messages larger than the MTU are divided into smaller packets before transmission

Examples

```
iS5Comm (config-if)# snmp trap link-status
```

4.15. monitor session

To configure port mirroring, monitor traffic on the source switch from a remote switch across the LAN or to create a new RSPAN destination session, use the command **monitor session** in Global Configuration Mode. The no form of this command cancels the specified session.

monitor session

```
monitor session <session-id (1-7)>
```

```
  {destination {interface <interface-type> <interface-id> | remote vlan
<integer (1-4094)>} interface <ifXtype> <ifnum>}} [COMP]
```

```
  | {source {interface <interface-type> <interface-id> | {both | rx | tx} |
remote vlan <integer (1-4094)>}} [COMP]
```

no monitor session

```
no monitor session local | range <port_list> | {destination {interface
<interface-type> <interface-id> | remote vlan <integer (1-4094)>} interface
<ifXtype> <ifnum>}} [COMP]
```

```
  | {source {interface <interface-type> <interface-id> | {both | rx | tx} |
remote vlan <integer (1-4094)>}} [COMP]
```

Parameters

Parameter	Type	Description
<session-id (1-7)>	Integer	Enter a number for monitoring session. The scope is from 1 to 7.
local		Enter to remove all local mirroring configuration sessions.
<port_list>	Integer	Enter a number for monitoring session to be removed.
destination		Enter for destination port related configuration.
interface		Enter for interface for the RSPAN session.
<interface-type>		Specify the interface type.
<interface-id>		Enter a number combination for interface. For example, 0/1.
source		Enter for source port related configuration.
both		Enter to mirror both received and transmitted traffic.
rx		Enter to mirror received traffic.
tx		Enter to mirror transmitted traffic.
remote		Enter for remote VLAN ID.
vlan		Enter for remote VLAN ID.
<integer (1-4094)>	Integer	Specify the VLAN ID. The scope is from 1 to 4094.
interface		Enter for destination interface for RSPAN session.
<ifXtype>		Specify the destination interface for RSPAN session type.
<ifnum>	Integer	Specify the destination interface for RSPAN session number.
COMP		Enter for Compatibility Mode.

Mode

Global Configuration Mode

Examples

```
i5Comm # configure terminal
```

```
i5Comm (config)# vlan 100
```

```
i5Comm (config - vlan)# ports add gigabitethernet 0/18
```

```
iS5Comm (config - vlan)# exit
```

```
iS5Comm (config)# monitor session 1 source interface gigabitethernet 0/17
```

```
iS5Comm (config)# monitor session 1 destination remote vlan 100 interface gigabitethernet 0/18
```

4.16. show monitor

To display the mirroring Information present in the system, use the command **show monitor** in Privileged EXEC Mode.

show monitor

```
show monitor {session <session-id (1-7)> | local [detail] | range
<session-list> | all} [detail]
```

Parameters

Parameter	Type	Description
session		Enter to display the mirroring information for a session.
<session-id (1-7)>	Integer	Enter a number of an session for which the mirroring information will be displayed. The scope is from 1 to 7.
local		Enter to display the Mirroring information for the Flash.
detail		Enter Displays the detailed information regarding the session.
range		Enter to display the mirroring information for the specified range of sessions.
<session-list>	Integer	Enter a number of a range of sessions for which the mirroring information will be displayed.
all		Enter to display mirroring information for all sessions.

Mode

Privileged EXEC Mode

Examples

```
iS5Comm# show monitor all
```

```
Mirroring is globally Enabled.
Session      : 1
-----
```

```

Source Ports
Rx           : None
Tx           : None
Both        : None
Destination Ports : Gi0/1
Session Status : Inactive
Rspan Disabled

```

4.17. rspan-vlan

To enable and disable the Remote Switch Port Analyzer (RSPAN) feature, use the **rspan-vlan** command in VLAN Configuration Mode.

rspan-vlan

```

rspan-vlan
  { enable | disable }

```

Parameters

Parameter	Type	Description
enable		Enter to enable the RSPAN feature.
disable		Enter to disable the RSPAN feature.

Mode

VLAN Configuration Mode

Examples

For Intermediate Switch Configuration

```

iS5Comm # configure terminal
iS5Comm (config)# vlan 100
iS5Comm (config - vlan)# ports add gigabitethernet 0/12
iS5Comm (config - vlan)# ports add gigabitethernet 0/3
iS5Comm (config - vlan)# rspan-vlan enable
iS5Comm (config - vlan)# end

```

4.18. mirror cpu-port

To configure the type of mirroring and mirror-to port for CPU traffic, use the command **mirror cpu-port** in Global Configuration Mode.

mirror cpu-port

```
mirror cpu-port {both | both_meta | rx | rx_meta | tx | tx_meta} destination  
{interface (Extreme-Ethernet <ifnum (0/1-28)> | Gigabitethernet <ifnum  
(0/1-28)>)}
```


Parameters

Parameter	Type	Description
both		Enter to configure mirroring of both egress and ingress traffic over CPU port to the CPU mirrored-to port in the system.
both_meta		Enter to configure mirroring of both egress and ingress traffic over CPU port to the CPU mirrored-to port in the system with meta data.
rx		Enter to configure mirroring of ingress traffic over CPU port to the CPU mirrored-to port in the system.
rx_meta		Enter to configure mirroring of ingress traffic over CPU port to the CPU mirrored-to port in the system with meta data.
tx		Enter to configure mirroring of egress traffic over CPU port to the CPU mirrored-to port in the system.
tx_meta		Enter to configure mirroring of egress traffic over CPU port to the CPU mirrored-to port in the system with meta data.
interface		Enter for Interface related configuration.
Extreme-E thernet		Enter for Extreme Ethernet interface.
<ifnum (0/1-28)>		Enter a number combination for interface. For example, 0/1 or port channel ID.
Gigabitet hernet		Enter for Gigabit Ethernet interface.
<ifnum (0/1-28)>		Enter a number combination for interface. For example, 0/1 or port channel ID.

Mode

Global Configuration Mode

Examples

```
iS5Comm (config)# mirror cpu-port both destination interface gi 0/1
```

4.19. show cpu-mirroring

To display the CPU mirroring information present in the system, use the command **show cpu-mirroring** in Privileged EXEC Mode.

show cpu-mirroring

```
show cpu-mirroring
```

Mode

Privileged EXEC Mode

Examples

```
iS5Comm# show cpu-mirroring
```

```
  CPU Traffic Mirror-To port : Gi0/1  
  CPU Traffic Mirroring Type : Ingress & Egress
```

4.20. write

To write the running-config in a flash, startup-configuration file or to a remote site, use the command **write** in Global Configuration Mode.

write

```
write <flash:filename> | <sftp://<user-name>:<pass-word>@server/filename> |  
<tftp://server/filename> | startup-config
```

Parameters

Parameter	Type	Description
flash		Enter to write the configuration to a flash drive.
filename		Enter to configure the name of the file to which the configuration is to be saved. This file is present in the flash drive.
sftp		Enter to configure the SFTP option to be used for writing the configuration to a file in SFTP server.
user-name		Enter the username of remote host or server.
password		Enter the password for the corresponding username of remote host or server.
server		Enter the IP address or host name of the server in which configuration should be maintained.
filename		Enter the name of the file in which the configuration should be written.
tftp		Enter to configure the TFTP related details for writing the configuration to a file in TFTP server.
server		Enter the IP address or host name of the server in which configuration should be maintained.
filename		Enter the name of the file in which the configuration should be written.
startup-config		Enter to start the switch with the saved configuration during reboot.

Mode

Privileged EXEC Mode

Prerequisites

- Filenames and directory names are case sensitive

Examples

```
iS5Comm# write startup-config
```

4.21. copy

To copy the configuration from a remote site to flash, make a backup of the initial configuration in flash or at a remote location, or write the system logs to a remote site, SD card or USB, use the command **copy** in Privileged EXEC Mode.

copy

```
copy <flash_url>
| <sftp://<user-name>:<pass-word>@server/filename>
| <tftp://server/filename> startup-config
| flash {coredump <file_name> (<tftp_url> | SD-Card | usb) <file_name>}
| log <file_name> (<sftp_url> | <tftp_url> | SD-Card | usb) <file_name>
| tech_report (<sftp_url> | <tftp_url> | SD-Card | usb) <file_name>
| seminfo (<sftp_url> | <tftp_url> | SD-Card | usb)
| startup-config {<flash://> {<flash://> | <tftp://server/filename> |
<sftp://<user-name>:<pass-word>@server/filename> | usb}
| running-config startup-config
```

Parameters

Parameter	Type	Description
<flash_url>		Enter to copy to flash or remote site.
<sftp://<user-name>:<password>@server/filename>		Enter to configure the name of the file in remote location to be copied (downloaded) into configuration file (iss.conf). This option configures the SFTP server details.
user-name		Enter for the user name of remote host or server
pass-word		Enter for the password for the corresponding user name of remote host or server
server	A.B.C.D	Enter for the IP address or host name of the server
filename		Enter for filename in which we are copying
tftp://server/filename startup-config		Enter to configure the address from which the file is to be copied and the file name from which configuration is to be copied. This option configures the TFTP server details
flash		Enter for flash related configuration
coredump		Enter for coredump file in flash
seminfo		Enter for semaphore information in flash
<file_name>		Enter file name of size (1-128) characters
<tftp_url>		Enter for a file in remote location using the TFTP option.
SD-Card		Enter for SD-Card file transfer operation
usb		Enter for a USB file transfer operation
<file_name>		Enter file name of size (1-128) characters
<file_name>		Enter file name of size (1-128) characters
SD-Card		Enter for SD-Card file transfer operation
usb		Enter for a USB file transfer operation
tech_report		Enter for tech.report file in flash
<sftp_url>		Enter for a file in remote location to be copied using the SFTP option.

Parameter	Type	Description
<tftp_url>		Enter for a file in remote location to be copied using the TFTP option.
SD-Card		Enter for SD-Card file transfer operation
usb		Enter for a USB file transfer operation
startup-con fig		Enter to copy the running configuration to the startup configuration file in NVRAM, where the running-config is the current configuration in the router and the startup config is the configuration that is loaded when the router boots up
<flash://		Enter to configure the name of the file in which the initial configuration should be stored. This file is available in the Flash.
running-con fig		Enter to copy running-configuration to startup-configuration. This command copies the variables from the running configuration to the startup configuration file in NVRAM, where the running-config is the current configuration in the router and the startup config is the configuration that is loaded when the router boots up

Mode

Privileged EXEC Mode

Prerequisites

Filenames and directory names are case sensitive

Examples

```
iS5Comm# copy flash:clcliser startup-config
```

```
iS5Comm# copy startup-config flash:clcliser
```

```
iS5Comm# copy running-config startup-config
```

```
iS5Comm# copy logs tftp://12.100/log.txt standby
Log Upload Successful
```

```
iS5Comm# copy tftp://12.0.0.2/clclirel flash:clcliser
```

```
iS5Comm# copy flash log file_name SD-Card myfile
```

```
iS5Comm# copy flash seminfo usb myfile
```

4.22. set linkup-delay

To enable / disable the Linkup-delay of the interface, use the command **set linkup-delay** in Global Configuration Mode.

set linkup-delay

```
set linkup-delay {enable | disable}
```

Parameters

Parameter	Type	Description
enable		Enter to enable linkup delay in the system by suspending operational status of the link for a configured delay time
disable		Enter to disable linkup delay in the system by not delaying and indicating the operational status of the link to the higher layers immediately.

Mode

Global Configuration Mode

Prerequisites

- Linkup-delay configurations are supported only on physical interfaces.
- Linkup-delay configurations are not supported for the logical interfaces like port-channel, router ports.

Examples

```
iS5Comm (config)# set linkup-delay enable
```

4.23. linkup-delay

To enable the Linkup-delay of the interface, use the command **linkup-delay** in Interface Configuration Mode. The no form of the command disables the Linkup-delay of the interface or resets the Linkup-delay Timer.

linkup-delay

```
linkup-delay [timer] <integer (1-1000)>
```

no linkup-delay

```
no linkup-delay [timer]
```

Parameters

Parameter	Type	Description
timer		Enter to set up timer for Linkup-delay
<integer (1-1000)>	Integer	Enter a number for timer value. The scope is from 1 to 1000.

Mode

Interface Configuration Mode

Prerequisites

- The command **linkup-delay** executes only if LinkUp Delay is enabled in the system Configuration Mode. See command **set linkup-delay**.
- The command **linkup-delay timer** executes only if LinkUp Delay is enabled in the system Configuration Mode. Execute first the command **linkup-delay**.

Examples

```
iS5Comm (config)# set linkup-delay enable
iS5Comm (config-if)# linkup-delay
iS5Comm (config-if)# linkup-delay timer 10
```

4.24. show linkup-delay

To display the mirroring Information present in the system, use the command **show linkup-delay** in Privileged EXEC Mode.

show linkup-delay

```
show linkup-delay [interface {gigabitethernet <ifnum (0/1-28)> |
extreme-ethernet] <ifnum (0/1-28)>}]
```


Parameters

Parameter	Type	Description
interface		Enter to display the mirroring information for a session.
gigabitethernet		Enter for interface type.
<ifnum (0/1-28)>		Enter an interface combination. The format is <0>/<1-28> which stands for slot number / port number.
extreme-etherne t		Enter for interface type.

Mode

Privileged EXEC Mode

Examples

```
iS5Comm# show linkup-delay interface gi 0/9
```

```
LinkUp Delay Table
-----
Interface Id                : Gi0/9
Link Up Delay System Status : ENABLED
Link Up Delay Port Status   : ENABLED
Link Up Delay Port Time     : 10 SecondsLink Up Delay
Remaining Time              : 0 Seconds
```

4.25. firmware switch

To perform switch firmware primary or secondary partition, use the command **firmware switch** in Privileged EXEC Mode.

firmware switch

```
firmware switch partition
```

Mode

Privileged Mode

Examples

iS5Comm # firmware switch partition

4.26. firmware upgrade

To perform firmware upgrade using TFTP from a remote location, SFTP, or from a USB flash drive, use the command **firmware upgrade** in Privileged EXEC Mode.

firmware upgrade

```
firmware upgrade <tftp://ip_addr//File-path/file-name.tgz-name> |
sftp://<user_name>:<pass_word>@ip_addr//File-path/file-name.tgz | usb
file-name.tgz
```

Parameters

Parameter	Type	Description
tftp://		Enter for upgrade by TFTP from a remote location.
ip_addr	A.B.C.D	Enter for IP address or host name of the TFTP server.
File-path		Enter for the file path to be used for firmware upgrade.
file-name		Enter for the file name of the upgrade software.
sftp://		Enter for upgrade by TSFTP.
<user_name>		Enter for user name of remote host or server.
pass-word		Enter for password for the corresponding username of remote host or server.
ip_addr	A.B.C.D	Enter for IP address or host name of the server.
File-path		Enter for name of the file path where the information is to be copied.
usb		Enter for upgrade from a USB flash drive.
file-name		Enter for the file name of the upgrade software.

Mode

Privileged EXEC Mode

Prerequisites

Filenames and directory names are case sensitive

Examples

```
iS5Comm# firmware upgrade tftp: //192.168.10.10//UpgradeFolder/firmware_upgrade.tgz
```

4.27. clock set

To manage the system clock, use the command **clock set** in Privileged EXEC Mode.

clock set

```
clock set hh:mm:ss <day (1-31)> <month (01-12)> {january | february | march  
| april | may | june | july | august | september | october | november |  
december} <year (2000 - 2037)>
```

Parameters

Parameter	Type	Description
hh:mm:ss://		Enter to set the current time.
<day (1-31)>		Enter to set the current day. This value ranges from 1 to 31.
<month (01-12)>		Enter the month. This value ranges from 01 (January) to 12 (December)..
january		Enter to set the month as January.
february		Enter to set the month as February.
march		Enter to set the month as March.
april		Enter to set the month as April.
may		Enter to set the month as May.
june		Enter to set the month as June.
july		Enter to set the month as July.
august		Enter to set the month as August.
september		Enter to set the month as September.
october		Enter to set the month as October.
november		Enter to set the month as November.
december		Enter to set the month as December.
<year (2000 - 2037)>		Enter to set the year. This value ranges from 2000 to 2037

Mode

Privileged EXEC Mode

Examples

iS5Comm# clock set 4:42:55 9 july 2019

4.28. erase

To clear the contents of the startup configuration or set parameters in NVRAM to default values or erase the syslog file from an internal flash, use the command **erase** in Privileged EXEC Mode.

erase

```
erase {startup-config | nvram: | flash log | <flash_url>}
```

Parameters

Parameter	Type	Description
startup-config		Enter to clear the startup configuration file.
nvram:		Enter to clear the content from NVRAM.
flash		Enter to clear the content from flash files.
log		Enter to clear the content of the log file.
<flash_url>		Enter to clear the content from the local system flash file.

Mode

Privileged EXEC Mode

Examples

```
iS5Comm# clock erase startup-config
```

4.29. cli console

To enable the console CLI through a serial port, use the command **cli console** in Privileged EXEC Mode. The no form of the command disables console CLI.

cli console

no cli console

Mode

Privileged EXEC Mode

Default

Enabled

Examples

```
iS5Comm# cli console
```

4.30. flowcontrol

To set the send or receive flow-control value for an interface, use the command **flowcontrol** in Interface Configuration Mode.

- If flowcontrol send is on for a device and if it detects any congestion at its end, then it notifies the link partner or the remote device of the congestion by sending a pause frame.
- If flowcontrol receive is on for the remote device and it receives a pause frame, then it stops sending any data packets. This prevents any loss of data packets during the congestion period.
- PAUSE is a flow control mechanism that is implied on full duplex Ethernet link segments. The mechanism uses MAC control frames to carry the PAUSE commands.

flowcontrol

```
flowcontrol {send | receive} {on | off | desired}
```

Parameters

Parameter	Type	Description
send		Enter to set the interface to send flow control packets to a remote device.
receive		Enter to set the interface to receive flow control packets from a remote device.
on		Enter for “on” option. If used with “receive”, it allows an interface to operate with the attached device to send flow control packets. If used with “send”, the interface sends flowcontrol packets to a remote device if the device supports it.
off		Enter to turn-off the attached devices (when used with receive) or the local ports (when used with send) ability to send flow-control packets to an interface or to a remote device respectively.
desired		Enter to allow a local port to operate with an attached device that is required to send flow control packets or that may send the control packets, when used with receive option. Allows the local port to send administrative status to a remote device if the remote device supports it, when used with send option

Mode

Interface Configuration Mode

Prerequisites

Interface must first be made administratively down before setting flow control status.

Default

The default flow control for the interfaces are

- flowcontrol receive on
- flowcontrol send on

Examples

```
iS5Comm# (config-if)# flowcontrol send on
```

4.31. shutdown

To disable a physical interface / VLAN interface / port-channel interface / tunnel interface / OOB interface, use the command **shutdown** in Interface Configuration Mode. The no form of the command enables a physical interface / VLAN interface / port-channel interface / tunnel interface / OOB interface.

shutdown

no shutdown

Mode

Interface Configuration Mode for physical interface / port-channel/tunnel interface/OOB Interface / VLAN Interface Mode for VLAN interface

Prerequisites

- All functions on the specified interface are disabled by the shutdown command
- if OOB interface is enabled, then the Physical Interface eth0 is disabled.
- When the same network interface is used for OOB and NFS mounting, the operation done on OOB will have impact on NFS. For example, when interface eth0 is used for OOB and NFS mounting, executing shutdown command on the OOB interface will make the admin down and the NFS communication will be lost.

Default

- The Physical Interface eth0 is enabled
- The interface VLAN 1 is enabled
- The Port-channel interface is disabled

Examples

```
iS5Comm# (config-if)# shutdown
```

4.32. debug interface

To set the debug traces for the specified level and severity for all interfaces, use the command **debug interface** in Privileged EXEC Mode. The no form of the command resets the configured debug traces.

debug interface

```
debug interface [track] [enetpkt dump] [ippkt dump] [arppkt dump] [trcerror]
[os] [failall] [buffer] [all {<short (0-7)> | alerts | critical | debugging
| emergencies | errors | informational | notification | warnings}]
```

no debug interface

```
debug interface [track] [enetpkt dump] [ippkt dump] [arppkt dump] [trcerror]
[os] [failall] [buffer] [all]
```

Parameters

Parameter	Type	Description
track		Enter to generate debug messages for all track messages.
enetpkt dump		Enter to generate debug messages for Ethernet packet dump messages.
ippkt dump		Enter to generate debug messages for IP protocol related packet dump messages.
arppkt dump		Enter to generate debug messages for address resolution protocol related packet dump messages.
trcerror		Enter to generate debug messages for trace error messages.
os		Enter to generate debug messages for OS resources. For example, when there is a failure in mem pool creation / deletion, this trace level is used.
failall		Enter to generate debug messages for all failures including packet validation.
buffer		Enter to generate debug messages for buffer trace levels where packet buffer is used.i.e in cases where packet is enqueued .
all		Enter to generate debug messages for buffer trace levels where packet buffer is used.i.e in cases where packet is enqueued .
<short (0-7)>		Enter to generate debug statements for the specified severity level. This value ranges from 0 to 7.
alerts		Enter to generate debug statements for alert messages.
critical		Enter to generate debug statements for critical conditions.
debugging		Enter to generate debug statements for debugging messages.
emergencies		Enter to generate debug statements when system is unusable.
errors		Enter to generate debug statements for error conditions.
informational		Enter to generate debug statements for informational messages.
notification		Enter to generate debug statements for normal but significant messages.
warnings		Enter to generate debug statements for warning conditions.

Mode

Privileged EXEC Mode

Examples

```
iS5Comm# debug interface trcerror critical
```

4.33. debug-logging

To configure the debug logging option in the system and specifies whether the logging is to be done at console, to a file (system buffer), or through flash, use the command **debug-logging** in Global Configuration Mode. The no form of the command displays debug logs in the console.

debug-logging

```
debug-logging <flash_url> {console | file | flash} [standby]
```

no debug-logging

```
no debug-logging [standby]
```

Parameters

Parameter	Type	Description
<flash_url>		Enter to debug logs in a flash URL
console		Enter to configure debugging logs in console.
file		Enter to debug logs in a flash URL.
flash		Enter to specify that the traces are logged into a file.
standby		Enter for logs in standby node as file or flash.

Mode

Global Configuration Mode

Default

console

Examples

```
iS5Comm(config)# debug-logging flash standby
```

```
iS5Comm(config)# debug-logging console standby
```

4.34. rollback

To enable /disable the rollback function, use the command **rollback** in Global Configuration Mode.

rollback

```
rollback {enable | disable}
```

Parameters

Parameter	Type	Description
enable		Enter to enable the rollback function.
disable		Enter to disable the rollback function.

Mode

Global Configuration Mode

Default

enable

Examples

```
iS5Comm(config)# rollback enable
```

4.35. shutdown

To shut down all ports in the corresponding modules and releases all allocated memory, use the command **shutdown** in Global Configuration Mode.

shutdown

```
shutdown {bgp | dot1x | garp | isis | ldp | lldp | ospf | ospf3 |  
port-channel | ptp | rsvte | snooping | spanning-tree | split-horizon |  
switch-instance-shared-port | ufd | vlan}
```

Parameters

Parameter	Type	Description
bgp		Enter to shut down the Border Gateway Protocol (BGP) module.
dot1x		Enter to shut down the PNAC related configuration.
garp		Enter to shut down the GARP related configuration.
isis		Enter to shut down the ISIS protocol.
ldp		Enter to shut down the LDP protocol.
lldp		Enter to shut down the LLDP related configuration.
ospf		Enter to shut down the Open Shortest Path First (OSPF) module.
ospf3		Enter to shut down the Open Shortest Path First version 3 (OSPFv3) module.
port-channel		Enter to shut down the port channel related configuration.
ptp		Enter to shut down the ptp configuration.
rsvte		Enter to shut down the Resource Reservation Protocol with Traffic Engineering (RSVPTE) module.
snooping		Enter to shut down the snooping related configuration.
spanning-tree		Enter to shut down the Spanning tree related protocol configuration.
split-horizon		Enter to shut down the Split-Horizon related configuration.
switch-instance-shared-port		Enter to shut down the Switch instance shared port related configuration.
ufd		Enter to shut down the UFD related configuration.
vlan		Enter to shut down the VLAN related configuration.

Mode

Global Configuration Mode

Prerequisites

BGP, OSPF, ISIS, RSVPTE, LDP shutdown command implementations are applicable only for stack environment

Examples

```
iS5Comm(config)# shutdown ospf
```

4.36. start

To start and enable the corresponding modules and allocate the required resources to the corresponding module, use the command **start** in Global Configuration Mode.

start

```
start {bgp | ospf | ospf3 | isis | rsvte | ldp}
```

Parameters

Parameter	Type	Description
bgp		Enter to start and enable the Border Gateway Protocol (BGP) module.
ospf		Enter to start and enable the Open Shortest Path First (OSPF) module.
ospf3		Enter to start and enable the Open Shortest Path First version 3 (OSPFv3) module.
isis		Enter to start and enable the ISIS protocol.
rsvte		Enter to start and enable the Resource Reservation Protocol with Traffic Engineering (RSVPTE) module.
ldp		Enter to start and enable the LDP protocol.

Mode

Global Configuration Mode

Examples

```
iS5Comm(config)# start ospf
```

4.37. set switch

To set the switch maximum threshold values of RAM, CPU, and Flash, or the maximum and minimum temperature threshold values of the switch in Celsius, or the maximum and minimum threshold values of the switch power supply in volts, use the command **set switch** in Global Configuration Mode.

set switch

```
set switch [<string(15)>] [maximum {RAM | CPU | flash} threshold <percentage  
(1-100)>] [temperature {min | max} threshold <celsius ((-15)-35)/(30-40)>]  
[power {min | max} threshold <volts (100-230)>]
```

Parameters

Parameter	Type	Description
<code><string(15)></code>		Enter a switch name (Example: my-switch)
<code>maximum</code>		Enter to set maximum threshold values of RAM, CPU, and Flash for the switch. When the current resource usage rises above the threshold limit, the SNMP trap message with maximum severity will be sent for the specified resource and the syslog message will be displayed. This threshold value is represented as percentage and ranges between 1 and 100 percent.
<code>RAM</code>		Enter to indicate the maximum RAM usage of the switch in percentage. When the RAM usage crosses the threshold percentage, an SNMP trap with maximum severity will be sent to the manager.
<code>CPU</code>		Enter to indicate the maximum CPU usage of the switch in percentage. When the CPU usage crosses the threshold percentage, an SNMP trap with maximum severity will be sent to the manager.
<code>flash</code>		Enter to indicate the maximum flash usage of the switch in percentage. When the flash usage crosses the threshold percentage, an SNMP trap with maximum severity will be sent to the manager.
<code>threshold</code>		Enter to configure the threshold.
<code><percentage(1-100)></code>		Enter to configure the threshold value as percentage. This value ranges from 1 to 100 percents.
<code>temperature</code>		Enter to indicate the maximum and minimum temperature threshold values of the switch in Celsius. When the current temperature drops below the threshold, an SNMP trap with maximum severity will be sent to the manager.
<code>min</code>		Enter to indicate the minimum temperature threshold value for the switch. When the current temperature drops below the threshold, an SNMP trap with maximum severity will be sent to the manager. This threshold value ranges between from -15 to 30 degree Celsius.
<code>max</code>		Enter to indicate the maximum temperature threshold value for the switch. When the current temperature rises above the threshold, an SNMP trap with maximum severity will be sent to the manager. This threshold value ranges between from 30 to 40 degree Celsius
<code>threshold</code>		Enter to configure the temperature threshold.

Parameter	Type	Description
<celsius ((-15) -35) / (30-40) >		Enter to configure the temperature threshold value in Celsius.
power		Enter to indicate the maximum and minimum threshold values of the switch power supply in volts. When the current temperature drops below the threshold, an SNMP trap with maximum severity will be sent to the manager. This threshold value ranges between 100 and 230 V.
min		Enter to indicate the minimum threshold power supply for the switch. When the voltage drops below the threshold, an SNMP trap with maximum severity will be sent to the manager.
max		Enter to indicate Sets the maximum threshold power supply for the switch. When the voltage rises above the threshold, an SNMP trap with maximum severity will be sent to the manager.
threshold		Enter to configure the power supply threshold.
<volts (100-230) >		Enter to configure the threshold value in volts.

Mode

Global Configuration Mode

Default

Switch defaults

- RAM - 100%
- CPU - 100 %
- flash - 100%

Temperature

- min - 10 degree Celsius
- max - 40 degree Celsius

Power Supply

- min - 100 V
- max - 230 V

Examples

iS5Comm(config)# set switch maximum RAM threshold 98

```
iS5Comm(config)# set switch temperature min threshold -10
iS5Comm(config)# set switch temperature max threshold 37
iS5Comm(config)# set switch power min threshold 110
iS5Comm(config)# set switch power max threshold 220
```

4.38. hostname

To configure the name of the switch, use the command **hostname** in Global Configuration Mode.

hostname

```
hostname <switchname>
```

Parameters

Parameter	Type	Description
<switchname>		This is a string with maximum size of 15.

Mode

Global Configuration Mode

Examples

```
iS5Comm(config)# hostname switch1
```

4.39. set designated-uplink

To configure the name of the switch, use the command **set designated-uplink** in UFD Configuration Mode.

set designated-uplink

```
set designated-uplink <ifXtype> {fastethernet <ifnum> | gigabitethernet
<ifnum> | extreme-ethernet <ifnum>} | port-channel <integer <1-65535>>
```

Parameters

Parameter	Type	Description
<ifXtype>		Enter to set the type of interface. The interface can b
fastethernet		Enter for fastethernet. Officially referred to as 100BASE-T standard. This is a version of LAN standard architecture that supports data transfer up to 100 Megabits per second.
gigabitethernet		Enter for gigabitethernet. A version of LAN standard architecture that supports data transfer up to 1 Gigabit per second.
extreme-ethernet		Enter for extreme-ethernet. A version of Ethernet that supports data transfer up to 10 Gigabits per second. This Ethernet supports only full duplex links.
<ifnum>		Enter to set the interface identifier for the specific interface type. This is a unique value that represents the specific interface. This value is a combination of slot number and port number separated by a slash
port-channel		Enter to set the port-channel for the designated-uplinks.
<integer (1-65535)>	Integer	Enter a port channel identifier. This is a unique value that represents the specific port-channel created. This value ranges from 1 to 65535.

Mode

UFD Configuration Mode

Prerequisites

This command executes only if,

- UFD group is configured
- uplink port is added in the group

Examples

```
iS5Comm (config-ufd)# set designated-uplink gigabitethernet 0/6
```

4.40. mac-learn-rate

To configure the maximum number of unicast dynamic MAC (L2) MAC entries hardware can learn in the system, in a configured time interval, use the command **mac-learn-rate** in Global Configuration Mode. The no form of the command removes the limit on number of unicast MAC entry indications (limit value is set as 0) and resets the configured time interval to default value.

In next subsequent time interval, hardware can learn number of previously learnt MAC entries plus present MAC entries, this cycle will continue until MAC learning reaches to maximum number of L2 unicast dynamic entries learning capacity of the system. If rate limit is changed while timer is running, new rate limit value takes effect on next timer restart. This limit is to control the number of MAC entries indication to control plane from hardware, when hardware MAC learning is enabled. Configuration value '0' disables this feature in the system.

mac-learn-rate

```
mac-learn-rate <no of MAC entries(0-2147483647)> [interval <millisec-  
onds(1-100000)>]
```

no mac-learn-rate**Parameters**

Parameter	Type	Description
<code><no of MAC entries (0-2147483647)></code>		Enter to configure the maximum number of unicast dynamic MAC (L2) entries that can be learned in the switch within the specified time interval. The configured value takes effect on next timer restart if this value is changed while the timer is running. This value is used to control the number of MAC entries indicated to control plane from the hardware, when hardware MAC learning is enabled and ranges from 0 to 2147483647. The value 0 represents that no limit is set in the switch. This limit value does not impose any restrictions on multicast / broadcast and dynamic / static / protocol (MMRP) MAC learning capability limits.
<code>interval</code>		Enter to configure the time interval (in milli-seconds) for maximum number of MAC entries to be learned in the switch. The configured value takes effect from the next timer restart. This value ranges from 1 to 100000 milli-seconds..
<code><milliseconds (1-100000)></code>		Enter an interval value. The configured value takes effect from the next timer restart and ranges from 1 to 100000 milli-seconds.

Mode

Global Configuration Mode

Default

This command executes only if,

- `<no of MAC entries(0-2147483647)>` - 1000
- `interval` - 1000

Examples

iS5Comm (config)# mac-learn-rate 100 interval 500

4.41. ports

To configure the ports for the UFD group, use the command **ports** in UFD Configuration Mode.

ports

```
ports {add | delete} [fastethernet <interface-id> | gigabitethernet <inter-
face-id> | Extreme-Ethernet <interface-id> | port channel <port channel ID>]
counters
```

Parameters

Parameter	Type	Description
add		Enter to add ports to the UFD group.
delete		Enter to delete ports from the UFD group.
Gigabitethernet		Enter to set to gigabitethernet type of interface. Gigabitethernet is a version of LAN standard architecture that supports data transfer up to 1 Gigabit per second.
<interface-id>		Enter a specific slot number / port number. The format is <0>/<1-28> without spaces between Slot Number/Port Number. For example, 0/1.
Extreme-Etherne t		Enter to set to Extreme-Ethernet type of interface. Extreme Ethernet is a version of Ethernet that supports data transfer up to 10 Gigabits per second and only full duplex links.
fastethernet		Enter to set to fastethernet type of interface. Fast Ethernet is officially referred to as 100BASE-T standard. This is a version of LAN standard architecture that supports data transfer up to 100 Megabits per second.
port-channel		Enter to set to port channel interface. This is a logical interface that represents an aggregator which contains several ports aggregated together.
<port channel ID>	Integer	Enter a number for port channel ID. The range is from 1 to 65535.

Mode

UFD Configuration Mode

Prerequisites

This command executes only if UFD group is configured.

Examples

```
iS5Comm (config-ufd)# ports add gigabitethernet 0/1
```

4.42. set port-role

To configure the ports for the UFD group, use the command **set port-role** in Interface Configuration Mode.

set port-role

```
set port-role {uplink [designated] | downlink}
```

Parameters

Parameter	Type	Description
uplink		Enter to set the port role for an interface as uplink.
designated		Enter to set the port role for an interface as designated uplink.
downlink		Enter to set the port role for an interface as downlink

Mode

Interface Configuration Mode

Examples

```
iS5Comm (config-if)# set port-role uplink
```

4.43. clear interfaces

To clear current interface counters for all interfaces or for only specific interface types and numbers, use the command **clear interfaces** in Global Configuration Mode. When used in Privileged EXEC Mode, the command can be used to clear port channel interface counters as well.

clear interfaces

```
clear interfaces [gigabitethernet <interface-id> | Extreme-Ethernet <inter-  
face-id>] counters
```

When used in Privileged EXEC Mode

clear interfaces

```
clear interfaces [gigabitethernet <interface-id> | Extreme-Ethernet <inter-
face-id>] [port channel <port channel ID>] counters
```

Parameters

Parameter	Type	Description
Gigabitethernet		Enter to clear gigabitethernet type of interface. Gigabitethernet is a version of LAN standard architecture that supports data transfer up to 1 Gigabit per second.
<interface-id>		Enter a specific slot number / port number. The format is <0>/<1-28> without spaces between Slot Number/Port Number. For example, 0/1.
Extreme-Ethernet		Enter to clear Extreme-Ethernet type of interface. Extreme Ethernet is a version of Ethernet that supports data transfer up to 10 Gigabits per second and only full duplex links
counters		Enter to clear all interface counters
port-channel		Enter to clear port channel interface.
<port channel ID>	Integer	Enter a number for port channel ID. The range is from 1 to 65535.

Mode

Privileged EXEC Mode / Global Configuration Mode

Examples

```
iS5Comm# clear interfaces counters
```

```
iS5Comm# clear interfaces port-channel 1 counters
```

```
iS5Comm(config)# clear interfaces counters
```

```
iS5Comm(config)# clear interfaces gigabitethernet 0/1 counters
```


4.44. clear counters

To clear current interface counters for all interfaces or for only specific interface types and numbers, use the command **clear counters** in Global Configuration Mode. When used in Privileged EXEC Mode, the command can be used to clear port channel interface counters as well.

clear counters

```
clear counters [gigabitethernet <interface-id> | Extreme-Ethernet <inter-
face-id>] counters
```

When used in Privileged EXEC Mode

clear interfaces

```
clear counters [fastethernet <interface-id> | gigabitethernet <interface-id>
| Extreme-Ethernet <interface-id>] [port channel <port channel ID>] counters
```

Parameters

Parameter	Type	Description
Gigabitethernet		Enter to clear gigabitethernet type of interface. Gigabitethernet is a version of LAN standard architecture that supports data transfer up to 1 Gigabit per second.
<interface-id>		Enter a specific slot number / port number. The format is <0>/<1-28> without spaces between Slot Number/Port Number. For example, 0/1.
Extreme-Ethernet		Enter to clear Extreme-Ethernet type of interface. Extreme Ethernet is a version of Ethernet that supports data transfer up to 10 Gigabits per second and only full duplex links
fastethernet		Enter to clear fastethernet type of interface. Fast Ethernet is officially referred to as 100BASE-T standard. This is a version of LAN standard architecture that supports data transfer up to 100 Megabits per second.
counters		Enter to clear all interface counters
port-channel		Enter to clear port channel interface.
<port channel ID>	Integer	Enter a number for port channel ID. The range is from 1 to 65535.

Mode

Privileged EXEC Mode / Global Configuration Mode

Examples

```
iS5Comm# clear counters
```

```
iS5Comm# clear counters port-channel 1
```

```
iS5Comm(config)# clear counters
```

```
iS5Comm(config)# clear interfaces gigabitethernet 0/1
```

4.45. show ip interface

To display the IP interface configuration, use the command **show ip interface** in Privileged EXEC Mode.

show ip interface

```
show ip interface [vlan <vlan-id(1-4094)>] [switch default]] [gigabitethernet  
<interface-id>] [Extreme-Ethernet <interface-id>] [loopback <loopback ID  
(1-1000)>] [vlan-counters]
```

Parameters

Parameter	Type	Description
vlan		Enter to display the IP interface configuration for the specified VLAN ID.
<vlan-id(1-4094)>		Enter a specific VLAN ID. This is a unique value that represents the specific VLAN created that ranges from 1 to 4094.
switch default		Enter to specify default switch.
Gigabitethernet		Enter to display gigabitethernet type of interface. Gigabitethernet is a version of LAN standard architecture that supports data transfer up to 1 Gigabit per second.
<interface-id>		Enter to display a specific slot number / port number. The format is <0>/<1-28> without spaces between Slot Number/Port Number. For example, 0/1.
Extreme-Ethernet		Enter to display the Extreme-Ethernet type of interface. Extreme Ethernet is a version of Ethernet that supports data transfer up to 10 Gigabits per second and only full duplex links
loopback		Enter to display the IP interface configuration for the specified loopback ID.
<loopback-id(0-100)>	Integer	Enter a specific loopback ID. This is a unique value that represents the specific loopback created that ranges from 0 to 100.
vlan-counters		Enter to display VLAN counters related configuration.

Mode

Privileged EXEC Mode

Examples

```
iS5Comm# show ip interface vlan 1
  vlan1 is up, line protocol is up
  Internet Address is 192.168.10.1/24
  Broadcast Address 192.168.10.255
  Vlan counters disabled
```

4.46. show authorized-managers

To display the configured authorized managers' related information available in the switch, use the command **show authorized-managers** in Privileged EXEC Mode.

show authorized-managers

```
show authorized-managers [ip-source <ip_addr>]
```

Parameters

Parameter	Type	Description
ip-source		Enter to display a Network or Host address
<ip_addr>	A.B.C.D	Enter an IP Address for a network or host

Mode

Privileged EXEC Mode

Examples

```
iS5Comm# show authorized-managers
```

```
Ip Authorized Manager Table
-----
Ip Address       : 12.0.0.1
Ip Mask          : 255.255.255.255
Services allowed : ALL
Ports allowed    : Gi0/1
On cpu0          : Deny
Vlans allowed    : All Available Vlans
```

4.47. show interfaces

To display the interface status and configuration, use the command **show interfaces** in Privileged EXEC Mode.

show interfaces

```
show interfaces
[<interface-type> <interface-id>] etherchannel
```

```

| [[{<interface-type> <interface-id>}] [{description | storm-control | flow-
control | capabilities | status | port-security-state | rate-limit}] | {vlan
<vlan_vfi_id> | [{switch <switch-name>}] }| tunnel <tunnel ID (1-128)>}]
| [bridge port-type [{port-channel <port-channel ID(1-65535)>] <inter-
face-id> <ifnum> | pw <integer (1-65535)>] [s-channel <integer (1-65535)>]]
| configuration hardware
| hardware
| mcounters [{gigabitethernet | extreme-ethernet} <ifnum> | redundant
<integer (1-8)>}]
| mtu [{vlan <vlan_vfi_id> [{switch <switch-name>}] | port-channel
<port-channel ID(1-65535)>] | <interface-type> <interface-id>}]
| port-role
| redundant [<integer (1-8)>] {configuration | nodes-table |
proxy-node-table | link-stats | trap-mapping | port mapping | quad-box
{configuration | nodes-table}}
| redundant fast-recovery
[counters [gigabitethernet <interface-id>]
| statistics
| transceivers
| trap-mapping
| {counters | HC-counters} [{ppp <PPP-id range (1-4094)>] | <interface-ty
p
<interface-id> | {vlan <vlan_vfi_id> | [switch <switch-name>] }| tunnel
<tunnel ID (1-128)>}] | redundant {[<number (1-8)>]}]

```

Parameters

Parameter	Type	Description
<interface-type>		<ul style="list-style-type: none"> Enter Gigabitethernet to display gigabitethernet type of interface. Gigabitethernet is a version of LAN standard architecture that supports data transfer up to 1 Gigabit per second. Enter Extreme-Ethernet to display the Extreme-Ethernet type of interface. Extreme Ethernet is a version of Ethernet that supports data transfer up to 10 Gigabits per second and only full duplex link
<interface-id>		Enter to display a specific slot number / port number. The format is <0>/<1-28> without spaces between Slot Number/Port Number. For example, 0/1.
etherchannel		Enter to display the interface specific port-channel information
description		Enter to display the interface description.
storm-control		Enter to display the broadcast, multicast, and unicast storm control suppression levels for the specified interface.
flowcontrol		Enter to display the flow control related statistics information for the specified interface.
capabilities		Enter to display the interface type, interface speed, duplex operation and flow control status for the specified interface.
status		Enter to display the status, duplex details, speed and negotiation mode of the specified interface.
port-security-state		Enter to display the state of the port security option.
rate-limit		Enter to display the rate limit burst size and rate-limit value of the interface.
vlan		Enter to display the IP interface configuration for the specified VLAN ID.
<vlan-id(1-4094)>		Enter a specific VLAN ID. This is a unique value that represents the specific VLAN created that ranges from 1 to 4094.
switch		Enter to display by switch name.
<switch-name>	Integer	Enter a specific switch name.
tunnel		Enter to display Tunnel interface configuration

Parameter	Type	Description
<tunnel IP (1-128)>	Integer	Enter a specific tunnel ID. The range is from 1 to 128.
bridge port-type		Enter to display the bridge port type of interfaces.
port-channel		Enter to display the port channel interfaces.
<port-channel ID(1-65535)>		Enter a specific port channel ID that ranges from 1 to 65535.
bridge port-type		Enter to display the bridge port type of interfaces.
port-channel		Enter to display the port channel interfaces.
<integer(1-65535)>		Enter a specific port channel ID that ranges from 1 to 65535.
pw		Enter to display the pseudo wire interface.
<integer(1-65535)>		Enter a specific pw ID that ranges from 1 to 255.
s-channel		Enter to display the s-channel interfaces.
<integer(1-65535)>		Enter a specific s-channel ID that ranges from 1 to 65535.
configuration		Enter to display the configuration-related statistics information for the specified interface.
hardware		Enter to display the hardware-related statistics information for the specified interface.
mcounters		Enter to display MIB counters obtained directly from hardware. Full resolution counters can be obtained to get better insight into the traffic patterns and issues.
gigabitethernet		Enter to select gigabitethernet interface.
extreme-ethernet		Enter to select extreme-ethernet interface.
ifnum		Enter to display a specific slot number / port number. The format is <0>/<1-28> without spaces between Slot Number/Port Number. For example, 0/1.
redundant		Enter for HSR/PRP Redundant Interface
<integer (1-8)>		Enter a number for the HSR/PRP Redundant Interface.
mtu		Enter to display the Maximum Transmission Unit (MTU) of interfaces in the switch.
port-role		Enter to display the interface port role configuration details and detailed information of UFD mapped in the interface.

Parameter	Type	Description
redundant		Enter to display the <i>HSR-PRP</i> redundancy-related configuration.
<integer (1-8)>		Enter to display the <i>RED</i> interface identification number.
configuration		Enter to display the hsp-prp specific configuration.
nodes-table		Enter to display the node table information.
proxy-node-table		Enter to display the proxy node table information.
link-stats		Enter to display the HSR/PRP redundancy links stats.
trap-mapping		Enter to display interfaces trap mapping indexes.
port-mapping		Enter to display the port mapping.
quad-box-table		Enter to display the Quad-Box node table information.
fast-recovery		Enter to display the HSR/PRP redundancy links stats.
counters		Enter to display the counter statistics for specified interface.
statistics		Enter to display the <i>UFD</i> global configuration details.
transceivers		Enter to display the transceiver related live diagnostic information.
trap-mapping		Enter to display interfaces trap mapping indexes.
HC-counters		Enter to display the HC interface counters related information.
ppp		Enter to display the Protocol Packet Processing (<i>PPP</i>) interface related configuration.
<PPP-id range (1-4094)>	Integer	Enter a specific <i>PPP</i> ID. The range is from 1 to 4094.

Mode

Privileged EXEC Mode

Examples

```
iS5Comm# show interfaces gigabitethernet 0/1
```

```
Gi0/1 up, line protocol is up (connected)
Bridge Port Type: Customer Bridge Port
Interface SubType: Gigabit Ethernet
Interface Alias: interfacel
```



```

Hardware Address is 00:03:02:03:04:01
MTU 200 bytes,
Error in Duplex status
100 Mbps, Auto-Negotiation
HOL Block Prevention disabled.
CPU Controlled Learning disabled.
Auto-MDIX on

```

```
Link Up/Down Trap is enabled
```

Reception Counters

```

Octets : 0
Unicast Packets : 0
Multicast Packets : 0
Broadcast Packets : 0
Discarded Packets : 0
Error Packets : 0
Unknown Protocol : 0

```

Transmission Counters

```

Octets : 158406
Unicast Packets : 0
Multicast Packets : 1702
Broadcast Packets : 0
Discarded Packets : 0
Error Packets : 0

```

iS5Comm # show interfaces mcounters

```

MIB RECEIVE COUNTERS
Port          Octets  Unicast Multicast Broadcast  Discards
Errors
-----
-----
Gi0/1         915185      44      2869      1373       0
0
Gi0/2         546837       0      1967       759       0
0
Gi0/3         184609       0       702        70       0
0
Gi0/4         531967       0      1891       762       0
0

```

Gi0/5 0	4641423	59	55635	1375	0
Gi0/6 0	5412423	101	60671	2129	0
i0/7	4641564	59	55636	1375	0
0Gi0/8 0	5412561	101	60672	2129	0
Gi0/9 0	3845022	58	44602	1384	0
Gi0/10 0	0	0	0	0	0
Gi0/11 0	7879751	43	106674	745	0
Gi0/12 0	0	0	0	0	0
Red-3A 0	522786	0	1734	754	0
Red-3B 0	3359316	58	43141	630	0
Red-3I 0	7915993	43	106935	745	0
Red-4A 0	4638829	59	55637	1375	0
Red-4B 0	4638959	59	55638	1375	0
Red-4I 0	3848156	58	44413	1384	0

MIB TRANSMIT COUNTERS

Port	Octets	Unicast	Multicast	Broadcast	Discards
Errors					
-----	-----	-----	-----	-----	-----
Gi0/1 0	47441	43	259	1	0
Gi0/2 0	998346	87	3389	1374	0
Gi0/3 0	5398732	99	60907	1914	0
Gi0/4 0	10030182	160	115852	3494	0
Gi0/5 0	5401602	101	60620	2124	0

Gi0/6 0	4638959	59	55638	1375	0	
Gi0/7 0	5401954	101	60620	2125	0	
Gi0/8 0	4638959	59	55638	1375	0	
Gi0/9 0	7915993	43	106935	745	0	
Gi0/10 0	0	0	0	0	0	
Gi0/11 0	3848156	58	44413	1384	0	
i0/12	0	0	0	0	0	0
Red-3A 0	4911845	101	59405	1232	0	
Red-3B 0	4487972	43	57941	672	0	
Red-3I 0	3845022	58	44602	1233	0	
Red-4A 0	5412701	101	60674	2129	0	
Red-4B 0	5412701	101	60674	2129	0	
Red-4I 0	7879751	43	106674	745	0	

iS5Comm # show interfaces mcounters gigabitethernet 0/4

Gi0/4 MIB Counters	Receive	Transmit
-----	-----	-----
Good Octets	533372	10057124
Bad Octets	0	
Unicast	0	160
Multicast	1896	116189
Broadcast	763	3494
Flow Control	0	0
Bad Flow Control	0	
Fragmentation	0	
Collisions		0
Late Collisions		0
Multiple Send		0
Deffered Send		0
MAC Errors	0	0

CRC Errors	0	
Undersized Packets	0	
Oversized Packets	0	
Drop Packets	0	
Jabber Packets	0	
Excessive Collisions		0
64 Octets	561	
65-127 Octets	116406	
128-255 Octets	2692	
256-511 Octets	683	
512-1023 Octets	2150	
1024-max Octets	10	

iS5Comm # show interfaces mcounters redundant 4

Red 4 MIB Counters	RX-A	RX-B	RX-I	TX-A	TX-B
TX-I					
-----	-----	-----	-----	-----	-----
Enabled	1	1	1	1	1
1					
Bytes	4668639	4668769	3872054	5445535	5445535
7935679					
Frames	51077	51147	40971	63344	63344
108252					
CRC errors	0	0	0		
64	0	0	498	0	0 0
65-127	55746	55746	43933	60688	60688
107356					
128-255	853	854	861	1222	1222
347					
256-511	173	173	171	344	344
173					
512-1023	700	700	714	1085	1085
371					
1024+	5	5	0	5	5
5					
Unicast	59	59	58	101	101
43					
Multicast	56039	56040	44731	61108	61108
107462					
Broadcast	1379	1379	1388	2135	2135
747					
VLAN	0	0	0	0	0
0					

PTP	0	0	0	0	0
0					
Control	0	0	0	0	0
0					
Pause	0	0	0	0	0
0					
Oversize	0	0	0	0	0
0					
Undersize	0	0	0		
Error frames				0	0
0					
Fragmented	0	0	0		
Drop (mem issue)	0	0	0	0	0
0					
HSR-PRP	57215	57215	43885	63344	63344
108252					
Own HSR	0	0	0		
HSR-PRP dup	48539	52519	0		
PRP wrong LanID	0	0	0		

iS5Comm # show interfaces port-role

Gi0/1	Downlink
Gi0/2	Downlink
Gi0/3	Downlink
Gi0/6	Uplink
vlan1	Uplink

iS5Comm # show interfaces statistics

Interface	DownlinkEnabledCount	DownlinkDisabledCount
Gi0/1	1	1
Gi0/2	0	0
Gi0/3	0	0
Ex0/1	0	0
Ex0/2	0	0
Ex0/3	0	0
Ex0/4	0	0
vlan1	0	0

iS5Comm # show interfaces status

Port	Status	Duplex	Speed	Negotiation
Capability				
----	-----	-----	-----	-----
Gi0/1	not connected	-	-	Auto Auto-MDIX on
Gi0/2	not connected	-	-	Auto Auto-MDIX on

```

Gi0/3      not connected  -      -      Auto Auto-MDIX on
Gi0/4      connected      Full   1 Gbps Auto Auto-MDIX on
Gi0/5      not connected  -      -      Auto Auto-MDIX on
Gi0/6      not connected  -      -      Auto Auto-MDIX on
Gi0/7      not connected  -      -      Auto Auto-MDIX on
not connected -      -      Auto Auto-MDIX on
Gi0/9(I)   admin down    -      -      Auto Auto-MDIX on
Gi0/11(I)  admin down    -      -      Auto Auto-MDIX on
Red3
Red3A      not connected  -      -      Auto Auto-MDIX on
Red3B      not connected  -      -      Auto Auto-MDIX on
Red4
Red4A      not connected  -      -      Auto Auto-MDIX on
Red4B      not connected  -      -      Auto Auto-MDIX on

```

iS5Comm(config-if)# speed automax100

iS5Commend

iS5Comm # show interfaces gigabit 0/17

Gi0/17 up, line protocol is down (not connect)

Bridge Port Type: Customer Bridge Port

Interface SubType: gigabitEthernet

Interface Alias: Slot0/17

Hardware Address is e8:e8:75:90:35:92

MTU 1500 bytes, Half duplex, 1 Gbps, Auto-Negotiation-Max100

HOL Block Prevention enabled.

CPU Controlled Learning disabled.

Auto-MDIX on

Input flow-control is off, output flow-control is on

Link Up/Down Trap is enabled

iS5Comm # show interfaces show interfaces trap-mapping

Interface Trap Index

```

Gi0/1      1
Gi0/2      2
Gi0/3      3
Gi0/4      4
Gi0/5      5

```

Gi0/6	6
Gi0/7	7
Gi0/8	8
Gi0/9	9
Gi0/10	10
Gi0/11	11
Gi0/12	12
Gi0/13	13
Gi0/14	14
Gi0/15	15
Gi0/16	16
Gi0/17	17
Gi0/18	18
Gi0/19	19
Gi0/20	20
Gi0/21	21
Gi0/22	22
Gi0/23	23
Gi0/24	24
Ex0/1	25
Ex0/2	26
Ex0/3	27
Ex0/4	28

4.48. show system-specific port-id

To display the custom-parameters configurations, use the command **show system-specific port-id** in Privileged EXEC Mode.

show system-specific port-id

```
show system-specific port-id
```

Mode

Privileged EXEC Mode

Examples

```
iS5Comm# show system-specific port-id
```

```
Interface PortID
```

```
-----
```

Slot0/1 45

4.49. set custom-param

To configure the custom parameters for a particular port, use the command **set custom-param** in Interface Configuration Mode. The no form of the command deletes the custom parameter configuration.

set custom-param

```
set custom-param {type <integer> | length <integer> | value <string>} |
attribute <integer (1-4)> | value <integer (0-4294967295)>}
```

no set custom-param

```
no set custom-param [type <integer>] [attribute <integer (1-4)>]
```

Parameters

Parameter	Type	Description
type		Enter to set the type of TLV information.
integer	Integer	Enter a specific TLV information type value.
length		Enter to set the length of TLV information.
integer	Integer	Enter a specific TLV information length value.
value		Enter to set the value of TLV information.
string		Enter a specific TLV information value
attribute		Enter to set the opaque attribute ID configured on the port.
integer (1-4)	Integer	Enter a specific opaque attribute ID. This value ranges from 1 to 4.
value		Enter to set the value for the Opaque attribute.
integer (0-4294967295)	Integer	Enter a specific Opaque attribute value. This value ranges from 0 to 4294967295.

Mode

Interface Configuration Mode

Default

value -0

Examples

```
iS5Comm (config-if)# set custom-param attribute 2 value 40
```

4.50. show custom-param

To display the custom-parameters configurations, use the command **show custom-param** in Privileged EXEC Mode.

show custom-param

```
show custom-param
```

Mode

Privileged EXEC Mode

Examples

```
iS5Comm# show custom-param
```

```
Slot0/1
AttrID   AttrValue
-----
4        5454
Slot0/2
AttrID   AttrValue
-----
2        2424
Type     Length   Value
-----
2        4        root
5        4        root
```

4.51. show env

To display the configured authorized managers' related information available in the switch, use the command **show env** in Privileged EXEC Mode.

show env

```
show env {all | temperature | RAM | CPU | flash | power}
```

Parameters

Parameter	Type	Description
all		Enter to display the threshold information of all resources such as CPU, Flash, RAM, power and temperature
temperature		Enter to display temperature threshold values of the switch in Celsius
RAM		Enter to display maximum RAM usage of the switch in percentage
CPU		Enter to display maximum CPU usage of the switch in percentage
flash		Enter to display the maximum flash usage of the switch in percentage
power		Enter to display power supply(ies) for the switch

Mode

Privileged EXEC Mode

Examples

iS5Comm# show env all

```

CPU Threshold                : 80%
Current CPU Usage            : 3%
RAM Threshold                : 80%
Current RAM Usage            : 37%
Flash App Threshold          : 80%
Flash Dedicated for App      : 95%
Dedicated Flash Usage by App : 19%
Flash Size                   : 8GByte
Power Supply 1 Presence      : Unknown
Power Supply 2 Presence      : Unknown
Switch Thermal Limit         : 85C
Switch High Threshold        : 80C
Switch Low Threshold         : -35C
Switch Current Temperature   : 36C
Core Temperature             : 58C
Line Module 1 Temperature    : 42C
Line Module 2 Temperature    : 45C

```

```

Line Module 3 Temperature      : 39C
Line Module 4 Temperature      : 37C
                               : Disabled
                               : 37CMgmt Port Routing

```

4.52. show system

To display the configured authorized managers' related information available in the switch, use the command **show system** in Privileged EXEC Mode.

show system

```
show system {acknowledgement | information | port-id}
```

Parameters

Parameter	Type	Description
acknowledgement		Enter to display acknowledgment for open sources used in the system
information		Enter to display the system information
port-id		Enter to custom-parameters configuration

Mode

Privileged EXEC Mode

Examples

```
iS5Comm# show system acknowledgement
```

```

Product Name: U-Boot 2016.09
License      : GPLv2
Description  : U-Boot Boot Loader

```

```

Product Name: NXP SDK v2.0-1703
License      : GPLv2
Description  : Linux Drivers, Linux Kernel-4.1.3

```

```

Product Name: OpenSSL v1.1.1
License      : OpenSSL License and the original SSLeay license
Description  : OpenSSL is a toolkit for the Transport Layer Security an

```

Secure Sockets Layer protocols.

Product Name: libssh v0.8.90

License : LGPL

Description : Multiplatform C library implementing the SSHv2 protocol on client and server side

Product Name: Marvell CPSS v4.1.622 Components

License : GPLv2

Description : Buildroot and Patches Linux cross compilation tool.

iS5Comm#show system information

4.53. show flow-control

To display the flow-control information, use the command **show flow-control** in Privileged EXEC Mode.

show flow-control

```
show flow-control [interface {gigabitethernet <interface-id>]  
[Extreme-Ethernet <interface-id>] [port-channel <port-channel ID  
(1-65535)>]}
```

Parameters

Parameter	Type	Description
<code>interface</code>		Enter to display the protocol-specific configuration of the interface.
<code>Gigabitethernet</code>		Enter to display gigabitethernet type of interface. Gigabitethernet is a version of LAN standard architecture that supports data transfer up to 1 Gigabit per second.
<code><interface-id></code>		Enter to display a specific slot number / port number. The format is <code><0>/<1-28></code> without spaces between Slot Number/Port Number. For example, <code>0/1</code> .
<code>Extreme-Ethernet</code>		Enter to display the Extreme-Ethernet type of interface. Extreme Ethernet is a version of Ethernet that supports data transfer up to 10 Gigabits per second and only full duplex links
<code>port-channel</code>		Enter to display the IP interface configuration for the specified loopback ID
<code><port-channelID (1-65535)></code>	Integer	Enter a specific port-channel ID. This is a unique value that represents the specific loopback created that ranges from 0 to 65535.

Mode

Privileged EXEC Mode

Examples

iS5Comm# show flow-control Interface gigabitethernet 0/1

```

Port      Admin      Oper      Tx Pause  Rx Pause  HC TxPause  HC RxPause
Tx       Rx       Tx       Rx
-----
Gi0/1    off off    on  off    0          0          0          0

```

4.54. show debug-logging

To display the debug logs stored in file or the standby lob file, use the command **show debug-logging** in Privileged EXEC Mode.

show debug-logging

```
show debug-logging [standby]
```

Parameters

Parameter	Type	Description
standby		Enter to display the standby log file.

Mode

Privileged EXEC Mode

Examples

```
iS5Comm# show debug-logging standby
Creating log file fsir.log.4693
iS5Comm# show debug-logging standby
% File does not exist
```

4.55. show debugging

To display the state of each debugging option, use the command **show debugging** in Privileged EXEC Mode.

show debugging

```
show debugging
```

Mode

Privileged EXEC Mode

Examples

```
iS5Comm# show debugging
LLDP :
LLDP critical debugging is on
```

4.56. show clock

To display the system date and time, use the command **show clock** in Privileged EXEC Mode.

show clock

```
show clock
```

Mode

Privileged EXEC Mode

Examples

```
iS5Comm# show clock
```

```
Mon Jan 20 23:54:44 2020 (UTC +00:00)
```

4.57. show running-config

To display the configuration information currently running on the router, the configuration for a specific interface, or map class information and this configuration is lost if the system is restarted, use the command **show running-config** in Privileged EXEC Mode. The command is useful when there are multiple interfaces and you want to look at the configuration of a specific interface

show running-config

Mode

Privileged EXEC Mode

Examples

```
iS5Comm# show running config ?
```

<CR>	Command to enable or disable
memtrace	
<CR>	Displays the currently operating
configuration in the system	
<CR>	show memtrace
Openflow	Client related configuration
acl	ACL related configuration
alarm	alarm related configuration
beep-server	BEEP-SERVER related configuration
bfd	BFD related configuration

bgp	BGP related configuration
clkiwf	CLKIWF related configuration
cn	CN related configuration
cru	Common routing utilities
dcbx	DCBX related configuration
dhcp	DHCP related configuration
dhcp6	DHCP6 related configuration
disable	Disable memtrace
dns	DNS related configuration
dsmon	DSMON related configuration
dvmrp	DVMRP related configuration
ecfm	ECFM related configuration
elmi	ELMI related configuration
elps	ELPS related configuration
enable	Enable memtrace
entity-mib	ENTITY-MIB related configuration
eoam	EOAM related configuration
erps	ERPS related configuration
firewall	FIREWALL related configuration
fm	FM related configuration
fsb	FSB related configuration
hb	Heartbeat related configuration
hs	HS related configuration
http	HTTP related configuration
icch	ICCH related configuration
igmp	IGMP related configuration
igmp-proxy	IGMP-PROXY related configuration
igs	IGS related configuration
interface	Interface related configuration
ip	IP related configuration
ipsourceguard	IPSOURCEGUARD related configuration
ipv6	IPv6 related configuration
isis	ISIS related configuration
l2dhcsnp	L2Dhcsnp related configuration
la	LA related configuration
lldp	LLDP related configuration
mbsm	MBSM related configuration
mef	MEF related configuration
mempool	Mempool related information
memtrace	Memtrace related information

mld	MLD related configuration
mlds	MLD Snooping related configuration
mpls	MPLS related configuration
msdp	MSDP related configuration
msdpv6	MSDPV6 related configuration
nat	NAT related configuration
network-clock	network-clock related configuration
ospf	OSPF related configuration
ospf3	OSPF3 related configuration
ospfte	OSPFTE related configuration
pbb	PBB related configuration
pim	PIM related configuration
pimv6	PIMV6 related configuration
pnac	PNAC related configuration
poe	POE related configuration
ppp	PPP related configuration
ptp	PTP related configuration
qosxtd	QOSXTD related configuration
radius	Radius related configuration
rbridge	RBridge related configuration
rip	RIP related configuration
rip6	RIP6 related configuration
rm	RM related configuration
rmon	RMON related configuration
route-map	ROUTE-MAP related configuration
rsna	RSNA related configuration
snmp	SNMP related configuration
sntp	SNTP related configuration
split-horizon	Split-Horizon related configuration
ssh	SSH related configuration
ssl	SSL related configuration
status	Memtrace status
stp	STP related configuration
switch	Switch related configuration
syslog	Syslog related configuration
system	System related configuration
tac	TAC related configuration
tacacs	TACACS related configuration
tlm	TLM related configuration
ufd	Uplink Failure Detection(UFD)
related configuration	

vlan	VLAN related configuration
vrrp	VRRP related configuratio
wss	WSS related configuration

iS5Comm# show running-config

```
#Building configuration...
!
!
syslog localstorage
syslog relay
syslog filename-one "syslog_file"
logging local flash emergencies file syslog_file
logging local flash alerts file syslog_file
!
!
interface gigabitethernet 0/1
!
interface gigabitethernet 0/2
!
interface gigabitethernet 0/3
.....
interface gigabitethernet 0/17
no shutdown
!
interface gigabitethernet 0/17
speed automax100
.....
set banner-name "RAPTOR iBiome OS"
system contact "my_name"
system name "my_system"
system location "my_location"
username root password xxxxxxxx privilege 16
username guest password xxxxxxxx privilege 1
!
end
```

4.58. show health status

To display the device's health status and error reasons, use the command **show health status** in Privileged EXEC Mode.

This command displays the device's health status and error reason. The list of health-check status for device is as follows:

- `upAndRunning` - Indicates that device is up and running.
- `downNonRecoverableErr` - Indicates that the health status of device is down due to occurrence of some critical error.
- `upRecoverableRuntimeErr` - Indicates that the health status of device is up but indicates the occurrence of a runtime error that is recoverable.

The list of error reasons for is as follows;

- `None` - Indicates no errors
- `nonRecovTaskInitializationFailure` - Indicates the occurrence of non-recoverable failure during Task initialization.
- `nonRecovInsufficientStartupMemory` - Indicates that there is insufficient memory for successful startup. This error is non-recoverable and requires sufficient memory to be available in the system for successful device startup.
- `recovCruBuffExhausted` - Indicates that CRU Buffer Exhausted.
- `recovConfigRestoreFailed` - Indicates that config-restore failed. This is a recoverable error.
- `recovProtocolMemPoolExhausted` - Indicates that a mem-pool associated with a specific module in the device has drained out. This error may affect the functioning of the specific protocol alone and is treated as a recoverable error

show health status

Mode

Privileged EXEC Mode

Examples

```
iS5Comm# show health status
```

```
SWITCH HEALTH STATUS-----
```

4.59. show mac-learn-rate

To display the maximum number of unicast dynamic MAC (L2) MAC entries hardware can learn in the system, in MAC learning limit rate interval, use the command **show mac-learn-rate** in Privileged EXEC Mode.

show mac-learn-rate

```
show mac-learn-rate
```

Mode

Privileged EXEC Mode

Examples

```
iS5Comm# show mac-learn-rate
```

```
Switch MAC Learn Limit Rate : 100
```

```
Switch MAC Learn Limit Rate Interval: 1000
```

4.60. set timer speed

To configure the system timer speed, use the command **set timer speed** in Global Configuration Mode.

set timer speed

```
set timer speed <timer-speed(1-1000)>
```

Parameters

Parameter	Type	Description
<timer-speed(1-1000)>	Integer	Enter a value for the timer. This value ranges from 1 to 1000.

Mode

Global Configuration Mode

Examples

```
iS5Comm(config)# set timer speed 100
```

4.61. audit-logging

Audit logging uses Syslog platform as tools to send/store Audit logs. So for allowing the Audit-logging to work, the Syslog should configured and working. Audit-logging uses configuration, supported by Syslog. Audit logging provides two ways to save audit messages: local and remote. Both ways work independently between each other. Both local and remote logging are disabled by default.

audit-logging

```
audit-logging { [ local [ enable | filename <string(128)> ] | remote [ enable |
[ipv4-address <ip_addr>] [port <integer(1-65535)>] [{ tcp | udp | tls}] ] }
```

Parameters

Parameter	Type	Description
local enable		enable the local audit-logging
local filename <string (128)>		set the local audit-logging file name
remote enable		enable the remote audit-logging
remote [ipv4-address <ip_addr>] [port <integer(1-65535)>] [{ tcp udp tls}]		set the remote server parameters

Mode

Global Configuration Mode

Examples

Audit messages are saved to the local file, which can be default file or user defined file.

Local file name can not be changed if the local audit-logging enabled.

The way to change the file name is:

- 1) disable the local audit-logging (if enabled)
- 2) change the file name
- 3) enable the local audit-logging (if required)

Example

```
iS5Comm(config)# no audit-logging local
```

```
iS5Comm(config)# audit-logging local filename LOCAL_FILE.txt
```

```
iS5Comm(config)# audit-logging local enable
```

Default paramters:

1. local logging status: disabled
2. local file name is "audit.txt"

Remote Logging Example

Remote audit-logging is done by sending the audit messages to the remote server by tcp or udp protocol. To enable the remote audit logging user should configure the server ip , port and protocol first.

The way to change the server parameters is:

- 1) disable the remote audit-logging (if enabled)
- 2) To enable TLS use the “ **secure logging crypto key**” command.
- 3) change the remote server parameters
- 4) enable the remote audit-logging (if required)

```
iS5Comm(config)# no audit-logging remote
```

```
iS5Comm(config)# audit-logging remote ipv4-address 192.168.0.100 port 5000 tls
```

```
iS5Comm(config)# audit-logging remote enable
```

```
iS5Comm(config)#
```

NOTE: To enable TLS protocol, the certificates should be present

Default parameters:

- 1) remote logging status: disabled
- 2) remote server ipv4 address: NOT_VALID (0.0.0.0)
- 3) remote server tcp/udp port number: 514
- 4) remote server tls port number: 6514
- 5) protocol: udp

Disabling Audit-Logging

```
iS5Comm(config)# no audit-logging remote
```

```
iS5Comm(config)# no audit-logging local
```

Seeing all available local files including current

All audit-logging files can be shown by “show audit-logging loglist”

example:

```
iS5Comm# show audit-logging loglist
```

```
Audit Directory name: /mnt/log/audit/
```

```
Name: audit.txt , Size: 0 , Updated: Wed Nov 6 03:12:05 2019
```

```
Name: audit_new.txt , Size: 152 , Updated: Wed Nov 6 20:42:48 2019
```

```
iS5Comm#
```

Seeing content of the local file

Content of the current local audit file can be shown by the “show audit-logging” command.

example:

```
iS5Comm# show audit-logging file
```

To view a specific number of lines:

```
iS5Comm# show audit-logging file lines 3
```

To view a specific audit log file

```
iS5Comm# show audit-logging file audit.txt lines 3
```

Viewing the audit logging configuration

example:

```
iS5Comm# show audit-logging config
```

```
Audit Local Status : Enabled
```

```
Audit Local File : audit_new.txt
```

```
Audit Remote Status : Enabled
```

```
Audit Remote Config : tcp, 192.168.0.100:5000
```

```
iS5Comm#
```

4.62. show audit-logging

Audit logging uses Syslog platform as tools to send/store Audit logs. So for allowing the Audit-logging to work, the Syslog should be configured and working. Audit-logging uses configuration, supported by Syslog. Audit logging provides two ways to save audit messages: local and remote. Both ways work independently between each other. Both local and remote logging are disabled by default.

show audit-logging

```
show audit-logging [ config | file [ lines <integer(1-65535)> ] ]
```

Parameters

Parameter	Type	Description
config		show the current local and remote status and configuration
file [lines <integer(1-65535)>]		show the content of the local audit-logging file, default number of lines: 20

Mode

Privileged Exec Mode

Examples

Content of the local audit file can be shown by “show command”

Example 1

```
iS5Comm# show audit-logging file
```

```
<134>Jul 27 02:19:52 ISS[2102]: AUDIT : admin audit-logging local enable #012 SUCCESS CONSOLE
```

```
<134>Jul 27 02:22:53 ISS[2102]: AUDIT : admin Idle Timer expired, Logging out ...! SUCCESS CONSOLE
```

```
<134>Jul 27 02:26:35 ISS[2102]: AUDIT : Attempt to login as admin via console Succeeded
```

```
<134>Jul 27 02:19:52 ISS[2102]: AUDIT : admin audit-logging local enable #012 SUCCESS CONSOLE
```

Example 2

An user can choose to see specific number of lines.

```
iS5Comm# show audit-logging file lines 3
```

```
<134>Jul 27 02:26:35 ISS[2102]: AUDIT : admin Logging in ...! SUCCESS CONSOLE
```

```
<134>Jul 27 02:28:25 ISS[2102]: AUDIT : admin show audit-logging file #012 SUCCESS CONSOLE
```

Example 3

For audit-Logging MRP for WebUI and CLI, see below:

```
iS5Comm# show audit-logging file
```

```
<134>Oct 18 16:31:33 ISS: WEBNM : MRP Global Settings AUDIT : admin <Global Status>='Enable';
```

```
<129>Oct 18 16:31:33 ISS: AUDIT : Attempt to logi as admin via console Succeeded
```

```
<129>Oct 18 16:31:33 ISS: AUDIT : admin Logging in ...! SUCCESS CONSOLE
```

```
<134>Oct 18 16:31:33 ISS: AUDIT : admin sh run SUCCESS CONSOLE
```



```
<134>Oct 18 16:31:33 ISS: AUDIT : admin sh sudit-logging filename SW3 SUCCESS CONSOLE
<134>Oct 18 16:31:33 ISS: WEBNM : MRP Global Settings AUDIT : admin <Global Status>='DISABLE';
```

4.63. shutdown ufd

To disable Uplink Failure Detection (UFD) feature in the system, use the command **shutdown ufd** in Global Configuration Mode. The no form of the command enables UFD feature in the system.

shutdown ufd

no shutdown ufd

Mode

Global Configuration Mode

Examples

```
iS5Comm (config)# no shutdown ufd
```

4.64. set ufd

To enable or disable Uplink Failure Detection (UFD) feature in the system, use the command **set ufd** in Global Configuration Mode. UFD is a network path redundancy feature that works in conjunction with Network Interface Card (NIC) teaming functionality. It monitors the link state of the uplink port(s) and when failure on uplink ports is detected, it disables the downlink port(s) (a.k.a Error Disabled).

set ufd

```
set ufd {enable | disable}
```

Parameters

Parameter	Type	Description
enable		Enter to enable UFD.
disable		Enter to disable UFD

Mode

Global Configuration Mode

Examples

```
iS5Comm(config)# set ufd enable
```

4.65. ufd group

To configure a UFD group that is identified by the group ID, use the command **ufd group** in Global Configuration Mode. Each group has uplink interfaces to monitor and downlink interfaces to disable.

ufd group

```
ufd group <integer(1-65535)> [groupname <string(32)>]
```

no ufd group

```
no ufd group <integer(1-65535)> [groupname <string(32)>]
```

Parameters

Parameter	Type	Description
<integer(1-65535)>		Enter a group ID for the UFD group. This value ranges from 1 to 65535.
groupname		Enter to add a group name.
<string(32)>		Enter configure the name of the UFD group. This groupname is a string of maximum size 32. Note that the groupname should be only characters - no numerals allowed.

Mode

Global Configuration Mode

Examples

```
iS5Comm(config)# no shutdown ufd
```

```
iS5Comm(config)# set ufd enable
```

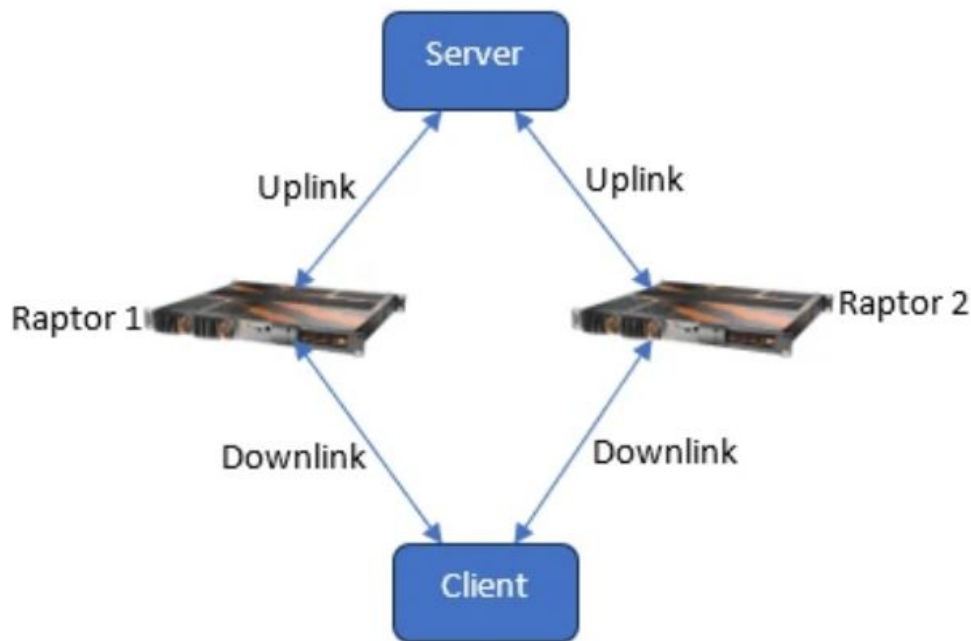
```
iS5Comm(config)# ufd group 2 groupname group
```

```
iS5Comm(config-ufd)
```

UFD Configuration

In the above topology Raptor 1 and Raptor 2 are configured with one uplink and one down link respectively. A UFD group is created and both uplink ports and down link ports are added to the group for monitoring.

In a typical scenario as shown above where client can reach server from primary and backup links i.e. via Raptor 1 and Raptor 2, when Raptor 1 detects the link failure with its uplink with server, it shall make downlink with client disable. This shall switch the client to the backup link, i.e. with server reachable via Raptor 2.



Configuration on Raptor 1

```

iS5Comm(config)# no shutdown ufd
iS5Comm(config)# set ufd enable
iS5Comm(config)# ufd group 1 groupname raptor
iS5Comm(config-ufd)# ports add gigabitethernet 0/1
iS5Comm(config-ufd)# exit
iS5Comm(config)# int gi 0/2
iS5Comm(config-if)# set port-role uplink
iS5Comm(config)# ufd group 1
iS5Comm(config-ufd)# ports add gigabitethernet 0/2
iS5Comm(config-ufd)# end
iS5Comm# show ufd group 1
  
```

UFD Configurations

UFD Status : Enabled

Group Id: 1

Group Name: raptor

Group Status : UP

Interface	Role	UFD Status
-----------	------	------------

Gi0/1	Downlink	Up
-------	----------	----

Gi0/2	Uplink	Up
-------	--------	----

Output of making uplink down**iS5Comm# show ufd group 1**

UFD Configurations

UFD Status : Enabled

Group Id: 1

Group Name: raptor

Group Status : DOWN

Interface	Role	UFD Status
-----------	------	------------

Gi0/1	Downlink	Error Disabled
-------	----------	----------------

Gi0/2	Uplink	Down
-------	--------	------

iS5Comm# show logging

EXEC commands :

show logging

show logging-file

show logging-server

4.66. internal-lan

To add an internal LAN interface and its parameters, use the command **internal-lan** in Global Configuration Mode. The no form of the command deletes the internal LAN interface.

internal-lan

```
internal-lan <ilan-id (1-65535)> [add interface virtual <iface_list> |
delete interface virtual <iface_list>]
```

no internal-lan

```
no internal-lan <ilan-id (1-65535)>
```

Parameters

Parameter	Type	Description
<ilan-id (1-65535)>	Integer	Enter to specify the internal LAN ID. This value ranges from 1 to 65535.
add interface virtual		Enter to add the internal LAN interface and its parameters. Specifies the virtual interface.
<iface_list>		Enter to enable UFD.
delete interface virtual		Enter to delete the internal LAN interface and its parameters.

Mode

Global Configuration Mode

Prerequisites

This command executes only if virtual interface is created in the system.

Examples

```
iS5Comm(config)# internal-lan 1 add interface virtual 1
```

4.67. show internal-lan

To display the internal LAN parameters, use the command **show internal-lan** in Privileged EXEC Mode.

show internal-lan

```
show internal-lan <iface_list>
```

Parameters

Parameter	Type	Description
<iface_list>	A.B.C.D	Enter an IP Address for a network or host

Mode

Privileged EXEC Mode

Prerequisites

This command executes only if virtual interface is created in the system.

Examples

```
iS5Comm# show internal-lan 1
  Intra Bridge Connections
  -----
  I-LAN : internal-lan1
  Switch :          Port : virtuell          Bridge Port Type: Customer
  Bridge Port
```

4.68. show iftype protocol deny table

To display the entries of iftype protocol deny table, use the command **show iftype protocol deny table** in Privileged EXEC Mode.

show iftype protocol deny table

```
show iftype protocol deny table [switch default]
```

Parameters

Parameter	Type	Description
switch default		Enter to displays iftype for the specified context. This value is default.

Mode

Privileged EXEC Mode

Prerequisites

This command executes only if virtual interface is created in the system.

Examples

```
iS5Comm# show iftype protocol deny table
```

```
Switch default
IfType          BridgePortType      Protocol
-----
Pip             PropCustomerEdgePortlldp
Pip             PropCustomerEdgePortqos
Pip             CustomerBackbonePortecfm
Pip             CustomerBackbonePortbridge
```

4.69. login block-for

To configure the maximum number of successful login attempts and the lock out time to block the user, use the command **login block-for** in Global Configuration Mode.

login block-for

```
login block-for <seconds (30-600)> attempts <tries (1-10)>
```

Parameters

Parameter	Type	Description
<seconds (30-600)	Integer	Enter to specify the lock out time in seconds for which a user is blocked following unsuccessful logins. This value ranges from 30 to 600
attempts		Enter to configure number of login attempts.
<tries (1-10)>	Integer	Enter to configure login attempts. This is the number of times a user is allowed to login using wrong password in the login prompt. This value ranges from 1 to 10.

Mode

Global Configuration Mode

Defaults

- seconds - 30
- tries - 3

Examples

```
iS5Comm(config)# login block-for 60 attempts 4
```

4.70. show ufd

To display the detailed UFD configuration, use the command **show ufd** in Privileged EXEC Mode.

show ufd

```
show ufd [brief] [group <integer(1-65535)>]
```


Parameters

Parameter	Type	Description
brief		Enter to display the related UFD configuration.
group		Enter to display the UFD configurations of the specified UFD group.
<integer (1-65535)>	Integer	Enter a group identifier. The range is from 1 to 65535.

Mode

Privileged EXEC Mode

Examples

```
iS5Comm# show ufd group 2
```

```
UFD Configurations
-----
UFD Status : Enabled
Group Id: 2
Group Name: group
Group Status : UP
Designated Uplink Port : Gi0/6
Interface   Role           UFD Status
-----
Gi0/1       Downlink      Up
Gi0/6       Uplink        Up
```

4.71. feature telnet

To enable the Telnet service in the system, use the command **feature telnet** in Global Configuration Mode. The no form of the command disables the Telnet service.

feature telnet

no feature telnet

Mode

Global Configuration Mode

Default

Enabled

Examples

```
iS5Comm (config)# feature telnet
```

4.72. show telnet server

To display the Telnet server status, use the command **show telnet server** in Privileged EXEC Mode.

show telnet server

Mode

Privileged EXEC Mode

Examples

```
iS5Comm# show telnet server
telnet service enabled
```

4.73. set http

To configure the HTTP authentication scheme or its redirection related parameters, use the command **set http** in Global Configuration Mode. The no form of the command disables the HTTP redirection feature.

set http

```
set http authentication-scheme {default | basic | digest} | redirection
enable
```

no http

```
no http redirection enable
```

Parameters

Parameter	Type	Description
authentication -scheme		Enter to specify the HTTP authentication scheme.
default		Enter to set the configurable HTTP authentication scheme to default.
basic		Enter to set the configurable HTTP authentication scheme to the legacy authentication scheme.
digest		Enter to set the configurable HTTP authentication scheme to digest.
redirection		Enter to specify the HTTP redirection feature.
enable		Enter to enable the HTTP redirection feature

Mode

Global Configuration Mode

Default

- Authentication scheme - default
- Redirection - enable

Examples

```
iS5Comm(config)# set http authentication-scheme basic
```

```
iS5Comm (config)# set http redirection enable
```

4.74. show http

To display the operational and configurable authentication scheme values, all redirection entries or filtered by URL, or HTTP server and port status, use the command **show http** in Privileged EXEC Mode.

show http

```
show http authentication-scheme | redirection [URL] | server status
```

Parameters

Parameter	Type	Description
authentication-scheme		Enter to display the operational and configurable authentication scheme values.
redirection		Enter to display all redirection entries or filtered by URL.
URL		Enter to display the URL for which the redirection entry has to be displayed.
server status		Enter to display the HTTP server and port status.

Mode

Privileged EXEC Mode

Examples

iS5Comm# show http authentication-scheme

```
The Operational HTTP authentication scheme is Default
The Configured HTTP authentication scheme is Basic
```

iS5Comm# show http redirection

```
HTTP Redirection Entries
-----
URL                               Server IP/DomainName
---                               -
% No Entries Found
```

iS5Comm# show http server status

```
HTTP server status                : Enabled
HTTP port is                       : 80
HTTP Requests In                   : 0
HTTP Invalids                      : 0
```

4.75. http redirect

To configure the alternate server for the URL specified, use the command **http redirect** in Global Configuration Mode. The no form of the command removes the redirection entry added to the server specified for the URL.

http redirect

```
http redirect <URL to be redirected> server {<Domain name> | <IPv4 Address>
| <IPv6 Address>}
```

no http redirect

```
no http redirect <URL to be redirected>
```

Parameters

Parameter	Type	Description
<URL to be redirected>	/url	Enter to specify the URL which has to be redirected. On receiving request for the URL, a redirection status is sent as response for the request.
server		Enter to set the server for the URL which is redirected. The options are:
<Domain name>		Enter to set the domain name of the alternate server.
<IPv4 Address>		Enter to set the IP address of the alternate server in v4 format.
<IPv6 Address>		Enter to specify the IP address of the alternate server in v6 format.

Mode

Global Configuration Mode

Default

- Authentication scheme - default
- Redirection - enable

Examples

```
iS5Comm(config)# http redirect /sample/ server 12.0.0.2
```

4.76. set split-horizon

To enable or disable split horizon feature in the system, use the command **set split-horizon** in Global Configuration Mode.

set split-horizon

```
set split-horizon {enable | disable}
```

Parameters

Parameter	Type	Description
enable		Enter to enable the split horizon feature in the system.
disable		Enter to disable the split horizon feature in the system.

Mode

Global Configuration Mode

Prerequisites

To execute this command Split Horizon should be started in the system

Examples

```
iS5Comm(config)# set split-horizon enable
```

4.77. shutdown split-horizon

To disable split horizon feature in the system, use the command **shutdown split-horizon** in Global Configuration Mode. The no form of the command enables the split horizon feature in the system.

shutdown split-horizon

no shutdown split-horizon

Mode

Global Configuration Mode

Examples

```
iS5Comm(config)# no shutdown split-horizon
```

4.78. show split-horizon

To display the detailed information of the split horizon on the interface, use the command **show split-horizon** in Privileged EXEC Mode.

show split-horizon

```
show split-horizon [all] [interface [gigabitethernet <interface-id> |
Extreme-Ethernet <interface-id>]
```

Parameters

Parameter	Type	Description
all		Enter to display all configurations.
interface		Enter to display the interface-related configuration.
Gigabitethernet		Enter to display gigabitethernet type of interface. Gigabitethernet is a version of LAN standard architecture that supports data transfer up to 1 Gigabit per second.
<interface-id>		Enter a specific slot number / port number. The format is <0>/<1-28> without spaces between Slot Number/Port Number. For example, 0/1.
Extreme-Ethernet		Enter to display Extreme-Ethernet type of interface. Extreme Ethernet is a version of Ethernet that supports data transfer up to 10 Gigabits per second and only full duplex links

Mode

Privileged EXEC Mode

Examples

```
iS5Comm# show split-horizon interface 1
```

```
  Ingress Port      VlanId      StorageType      Egress List
  =====          =====          =====          =====
  Gi0/1             -            Volatile         Gi0/2,Gi0/3,Gi0/6
```

4.79. speed

To set the speed of the interface, use the command **speed** in Interface Configuration Mode. The no form of the command sets the speed of the interface to its default value.

speed

```
speed {10 | 100 | 1000 | 10000 | 2500 | 25000 | 40000 | 50000 | auto | auto-
max100 | nonegotiate}
```

Parameters

Parameter	Type	Description
10		Enter to set the port to run at 10 Mbps.
100		Enter to set the port to run at 100 Mbps.
1000		Enter to set the port to run at 1000 Mbps.
10000		Enter to set the port to run at 10000 Mbps.
2500		Enter to set the port to run at 2500 Mbps.
25000		Enter to set the port to run at 25000 Mbps.
40000		Enter to set the port to run at 40000 Mbps.
auto		Enter to have the speed of the port automatically detected and set based on the peer switch
automax100		Enter to have the speed of the port automatically detected max to 100 Mbps - it must run based on the peer switch.
nonegotiate		Enter to disable negotiation on the ports.

Mode

Interface Configuration Mode

Prerequisites

To execute this command, Split Horizon should be started in the system.

Examples

```
iS5Comm(config-if)# speed 10
```

4.80. sleep

To make the CLI idle for a specified time, use the command **sleep** in Privileged EXEC Mode.

sleep

```
sleep <seconds (1-65535)>
```


Parameters

Parameter	Type	Description
<seconds (1-65535) >		Enter a value to specify idle time. This value ranges from 1 to 65535 in seconds.

Mode

Privileged EXEC Mode

Examples

```
iS5Comm# sleep 5
```

4.81. rate-limit pause

To enable the pause ingress rate limit above which PAUSE frames are transmitted on the interface, use the command **rate-limit pause** in Interface Configuration Mode.

rate-limit pause

```
rate-limit pause [<high-watermark>] [<low-watermark>]
```

Parameters

Parameter	Type	Description
[<high-watermark>]		Enter a value to configure the ingress rate equal to or above which PAUSE frames are transmitted. This value ranges from 1 to 2800.
[<low-watermark>]		Enter a value to configure the ingress rate below which transmission of PAUSE frames are not sent. This value ranges from 1 to 2800.

Mode

Interface Configuration Mode (Physical)

Examples

```
iS5Comm (config-if)# rate-limit pause 400000 300000
```

4.82. cpu controlled learning

To enable software learning of MAC Address from the packets arriving on the interface instead of hardware learning of MAC address, use the command **cpu controlled learning** in Interface Configuration Mode. The no form of the command disables CPU controlled learning of MAC Address on the interface

cpu controlled learning

no cpu controlled learning

Mode

Interface Configuration Mode (Physical)

Examples

```
iS5Comm (config-if)# cpu controlled learning
```

4.83. traffic-separation control

To configure the method for receiving control packets by CPU, use the command **traffic-separation control** in Global Configuration Mode. This control ensures that the CPU processing capacity is utilized appropriately, according to the need of the protocol.

traffic-separation control

```
traffic-separation control {system_default | user_defined | none}
```

Parameters

Parameter	Type	Description
system_default		Enter to configure the method for receiving control packets by CPU as system default. This implies that the software can automatically install the ACL and QoS rules for all control packets. NOTE: If the configuration is changed from 'system_default' to 'user_defined' option, then all default ACL/QoS rules for carrying protocol control packets to CPU are removed. Then user has to install the specific ACL/QoS rules, to carry the intended control packets to CPU for the processing.
user_defined		Enter to configure the method for receiving control packets to CPU as user defined. This implies that the software cannot automatically install the ACL and QoS rules for all control packets. Only the administrator can install the required rules for receiving control packets to CPU
none		Enter to indicate only ACL rules. NOTE: If the configuration is changed from 'none' to 'system_default' option, then all default ACL filters for carrying protocol control packets to CPU are removed and new set of filters will be installed. Each filter will be associated with Qos rules NOTE: If the configuration is changed from 'none' to 'user_defined' option, then all default ACL filters for carrying protocol control packets to CPU are removed. Then user has to install the specific ACL/QoS rules, to carry the intended control packets to CPU for the processing

Mode

Global Configuration Mode

Examples

```
iS5Comm (config)# traffic-separation control system_default
```

4.84. mdix auto

To enable the MDI/MDIX Auto Crossover of the interface, use the command **mdix auto** in Interface Configuration Mode. The no form of the command disables the MDI/MDIX Auto Crossover of the interface and sets the port as MDIX port.

mdix auto**no mdix auto****Mode**

Interface Configuration Mode (Physical)

Default

AutoCross is disabled

Examples

iS5Comm (config-if)# mdix auto

4.85. set port

To set the port to MDI or MDIX mode, use the command **set port** in Interface Configuration Mode. This command is hardware specific and MDIX is the vice versa of MDI.

set port

set port {mdi | mdix}

Parameters

Parameter	Type	Description
mdi		Enter to set the port to MDI mode. This is hardware specific where transmit pair are pins 1,2 and the receive pair are 3,6 pins respectively for the particular port.
mdix		Enter to set the port to MDIX mode. This is hardware specific where transmit pair are pins 3, 6 and the receive pair are 1, 2 pins respectively for the particular port. MDIX is the vice versa of mdi.
downlink		Enter to indicate downlink interface.
uplink		Enter to indicate uplink interface.

Mode

Interface Configuration Mode

Examples

```
iS5Comm (config)# traffic-separation control system_default
```

4.86. config-restore

To configure the startup configuration restore option, use the command **config-restore** in Privileged EXEC Mode.

config-restore

```
config-restore {flash | remote <ucast_addr> file <filename> | norestore}
```

Parameters

Parameter	Type	Description
flash		Enter for restoring the flash file that is to be used for restoration when the system is restarted
remote		Enter for restoring the Unicast IP address of the remote system from where the switch configurations have to be downloaded to the 'Startup Configuration File' in the flash.
ucast_addr	A.B.C.D	Enter the Unicast IP address to be used.
file		Enter for restoring the specified remote location file.
filename		Enter a file name for the remote location file—a string with a maximum size of 12.
norestore		Enter to specify that the switch configurations need not be restored when the system is restarted

Mode

Privileged EXEC Mode

Default

norestore

Examples

```
iS5Comm# config-restore flash
```

4.87. set mgmt-port routing

To enable or disable the management port routing function, use the command **set mgmt-port routing** in Global Configuration Mode.

set mgmt-port routing

```
set mgmt-port routing {enable | disable}
```

Parameters

Parameter	Type	Description
enable		Enter to enable the routing function over the Management Interface. This object can be configured only if the Management Port is used for IP Access.
disable		Enter to disable the routing function over the Management Interface. This object can be configured only if the Management Port is used for IP Access

Mode

Global Configuration Mode

Default

disable

Examples

```
iS5Comm(config)# set mgmt-port routing enable
```

4.88. set switch-name

To set a name for the switch, use the command **set switch-name** in Global Configuration Mode.

set switch-name

```
set switch-name string <15>
```

Parameters

Parameter	Type	Description
string <15>		Enter to set a Switch Name (e.g. my-Switch). The value is a string with maximum size of 15.

Mode

Global Configuration Mode

Examples

```
iS5Comm(config)# set switch-name default
```

4.89. packet

To configure the packet pattern and mask for pattern matching on the received packets, set the port and value for the packet transmitter and transmit the packet provided the packet pattern is configured, or set the packet pattern for the packet transmitter and transmits the packet, provided the interface is configured, use the command **packet** in Global Configuration Mode.

packet

```
packet {receive index <integer (0-4)> {value | mask | port <port_list>} |
{send index <integer (0-4)> {port <port_list> [count <integer (0-65536)>
[interval <integer (1-65535)>] | value}}
```

no packet

```
no packet receive index <integer (0-4)> [mask] | send index <integer (0-4)>
```

Parameters

Parameter	Type	Description
receive		Enter to configure received packets.
index		Enter to configure the index for the Pattern Analyzer / Pattern Transmitter row.
<integer (0-4)>	Integer	Enter to configure the packet receive / send index value which uniquely identifies a pattern to be matched. This value ranges from 0 to 4.
value		Enter to set a value for the pattern to be matched with the received packets
mask		Enter to set a value for the mask the received packets. This value is the mask for the pattern to be matched by the Pattern Analyzer and ranges from 1 to 1600.
port		Enter to configure the port / list of ports of the pattern receiver. This is the complete set of ports over which the pattern is to be matched by the packet
<port_list>		Enter a value for the ports list. This value ranges from 1 to 320. The syntax is a,b a-b a,b,c-d. Use comma as a separator without space while configuring list of interfaces. Example: 1,3.
send		Enter to set the port and value for the packet transmitter and transmit the packet provided the packet pattern is configured.
count		Enter to configure the number of packets to send.
<integer (0-65536)>	Integer	Enter an integer for number of packets.
interval		Enter to configure the time interval for the Pattern Transmitter.
<integer (1-65535)>	Integer	Enter an integer for time interval.
value	Integer	Enter to configure the value of the packet for Packet Transmitter. The packet send value ranges between 1 and 1600. Enter a value when prompted.

Mode

Global Configuration Mode

Examples

```
iS5Comm(config)# packet receive index 0 port 223
```

```
iS5Comm(config)# packet send index 1 port 5
```

```
iS5Comm(config)# packet send index 1 value
```

```
    Enter Value: 4
```

4.90. show packet

To display the values of the packet receiver table and packet transmitter table, use the command **show packet** in Privileged EXEC Mode.

show packet

```
show packet {receive [index <integer (0-4)>] | send [index <integer (0-4)>]}
```

Parameters

Parameter	Type	Description
receive		Enter to configure received packets.
index		Enter to configure the index for the Pattern Analyzer row.
<integer (0-4)>	Integer	Enter to configure the packet receive / send index value which uniquely identifies a pattern to be matched. This value ranges from 0 to 4.
send		Enter to set the port and value for the packet transmitter and transmit the packet provided the packet pattern is configured.

Mode

Privileged EXEC Mode

Examples

```
iS5Comm# show packet receive index 1
```

```
    Packet Analyzer
```

```
iS5Comm# show packet send
```

```
    Index           : 1
    Value of the Pkt :
    Ports to send Pkt :
    No of Pkts to send : 1
```

Time Interval : 1

4.91. alias

To configure the alias name for the interface, use the command **alias** in Interface Configuration Mode.

alias

```
alias string <63>
```

Parameters

Parameter	Type	Description
string <15>		Enter an alias name for the interface. The value is a string with maximum size of 63.

Mode

Interface Configuration Mode

Examples

```
iS5Comm (config-if)# alias interface1
```

4.92. port-security-state

To configure the port security state of the interface, use the command **port-security-state** in Interface Configuration Mode. The interface port security state specifies whether the port is connected to trusted hosts or not.

port-security-state

```
port-security-state {trusted | untrusted}
```

Parameters

Parameter	Type	Description
trusted		Enter to set a port security state as trusted. This specifies that packets coming on these ports will be trusted.
untrusted		Enter to set a port security state as untrusted.

Mode

Interface Configuration Mode

Default

trusted

Examples

```
iS5Comm (config-if)# port-security-state trusted
```

4.93. default-value save

To specify whether default values needs to be saved or not when incremental save option is enabled, use the command **default-value save** in Global Configuration Mode. On configuring this command, `issvram.txt` file is updated. The configured value is effective only after rebooting the system.

default-value save

```
default-value save {enable | disable }
```

Parameters

Parameter	Type	Description
trusted		Enter to enable the default value save option. This specifies that MSR stores default values also when Incremental save is enabled.
untrusted		Enter to disable the default value save option. This specifies MSR does not store default values when Incremental save is enabled.

Mode

Global Configuration Mode

Default

disable

Examples

```
iS5Comm(config)# default-value save enable
```

4.94. set mirroring

To enable or disable the mirroring in the system, use the command **set mirroring** in Global Configuration Mode.

set mirroring

```
set mirroring {enable | disable}
```

Parameters

Parameter	Type	Description
enable		Enter to enable mirroring in the system. When set as enabled all mirroring configurations present will be programmed in hardware.
disable		Enter to disable mirroring in the system and remove all configuration from the hardware.

Mode

Global Configuration Mode

Examples

```
iS5Comm(config)# set mirroring enable
```

4.95. default

To configure the default exec-timeout value for line disconnection, use the command **default** in Global Configuration Mode.

default

```
default exec-timeout <integer (1-18000)>
| ip address <ip-address> [subnet-mask <subnet mask>] [interface <inter-
face-type> <interface-id>]
| ip address allocation protocol {bootp | rarp | dhcp}
| mode {manual |dynamic}
| redistribute-policy [vrf <vrf-name>] {permit | deny}
| restore-file <filename>
| restore-type {msr | csr}
| vlan id <count(1-4094)>
```

Parameters

Parameter	Type	Description
exec-timeout		Enter to select default exec-timeout.
<integer (1-18000)>		Enter to a default exec-timeout value for line disconnection. This value ranges from 1 to 18000 seconds
ip address		Enter to select default ip address.
<ucast_addr>	A.B.C.D	Enter to a Unicast IP address.
subnet-mask		Enter to select default ip address.
<subnet-mask>	A.B.C.D	Enter to a Unicast IP address.
interface		Enter to select interface.
<interface-type>		<ul style="list-style-type: none"> Enter Gigabitethernet to display gigabitethernet type of interface. Gigabitethernet is a version of LAN standard architecture that supports data transfer up to 1 Gigabit per second. Enter Extreme-Ethernet to display the Extreme-Ethernet type of interface. Extreme Ethernet is a version of Ethernet that supports data transfer up to 10 Gigabits per second and only full duplex link
<interface-id >		Enter to display a specific slot number / port number. The format is <0>/<1-28> without spaces between Slot Number/Port Number. For example, 0/1.
allocation		Enter to select allocation.
protocol		Enter for protocol-related configuration.
bootp		Enter for bootp server
dhcp		Enter for DHCP server.
rarp		Enter for RARP server.
mode		Enter for protocol-related configuration.
dynamic		Enter for the default interface to get the IP address through dynamic IP address configuration protocol.
manual		Enter for the default interface to take the issDefaultIpAddr in the system.
originate		Enter to enable redistribution and advertisement of the default route.
vrf		Enter for VRF related configuration.

Parameter	Type	Description
redistribute-policy		Enter to enable redistribution and advertisement of the default route.
vrf		Enter for VRF related configuration.
<vrf-name>		Enter a VRF name.
deny		Enter to set the default rule for all prefixes to “deny”.
permit		Enter to set the default rule for all prefixes to “permit”.
restore-file		Enter to set the default rule for all prefixes to “permit”.
<filename>		Enter a file path (e.g.:/home/iss/restore.conf)
restore-file		Enter to set the default rule for all prefixes to “permit”.
msr		Enter to set the configuration restore to be in the format of MIB OID.
csr		Enter to set the configuration restore to be in the format of CLI commands.
vlan		Enter to VLAN-related configuration.
id		Enter to set a VLAN id.
<count (1-4094)>		Enter a VLAN ID value - it is from 1 to 4094.

Mode

Global Configuration Mode

Examples

```
iS5Comm(config)# default exec-timeout 5
```

4.96. port

To configure port and CVLAN id to AC interface, use the command **port** in Interface Configuration Mode.

port

```
port {gigabitethernet <interface-id> | Extreme-Ethernet <interface-id>} |
fastethernet <interface-id> | port-channel <interface-id>} | vlan <integer
(1-65535)>
```

Parameters

Parameter	Type	Description
Gigabitethernet		Enter for gigabitethernet type of interface. Gigabitethernet is a version of LAN standard architecture that supports data transfer up to 1 Gigabit per second.
<interface-id>		Enter for a specific slot number / port number. The format is <0>/<1-28> without spaces between Slot Number/Port Number. For example, 0/1.
Extreme-Ethernet		Enter for the Extreme-Ethernet type of interface. Extreme Ethernet is a version of Ethernet that supports data transfer up to 10 Gigabits per second and only full duplex links
fastethernet		Enter for fastethernet. fastethernet is referred to as 100BASE-T standard and is a version of LAN standard architecture that supports data transfer up to 100 Megabits per second.
port-channel		Enter for port-channel. This is the logical interface that represents an aggregator which contains several ports aggregated together.
vlan <integer (1-65535)>		Enter an integer for vlan id number. It configures the specified customer VLAN for the AC interface. This value ranges between 1 and 65535.

Mode

AC Interface Configuration Mode

Examples

```
iS5Comm (config-if)# port 1 gi 0/1
```

```
iS5Comm (config-if)# port gigabitethernet 0/1
```

4.97. web-session timeout

To configure the web-session timeout in seconds after which the session expires, use the command **web-session timeout** in Global Configuration Mode.

web-session timeout

```
web-session timeout <integer (30-1800)>
```

Parameters

Parameter	Type	Description
<integer (30-1800) >		Enter a web-session timeout value in seconds. This value ranges from 30 to 1800 seconds.

Mode

Global Configuration Mode

Default Value

300 seconds

Examples

```
iS5Comm(config)# web-session timeout 1800
```

4.98. clear http server statistics

To clear the HTTP server requests received and discarded statistics, use the command **clear http server statistics** in Global Configuration Mode.

```
clear http server statistics
```

Mode

Global Configuration Mode

Examples

```
iS5Comm(config)# clear http server statistics
```

4.99. show web-session timeout

To display web-session timeout, use the command **show web-session timeout** in Privileged EXEC Mode.

show web-session timeout

Mode

Privileged EXEC Mode

Examples

```
iS5Comm# show web-session timeout
```

4.100. show config-restore status

To display the config-restore status, use the command **show config-restore status** in Privileged EXEC Mode.

The list of health-restore status for the device is as follows;

- configRestoreSuccess—indicates that configuration restore operation is successfully done.
- configRestoreFailed—indicates that configuration restoration is unsuccessful.
- configRestoreInProgress—indicates that configuration restore operation is in-progress.
- configRestoreDefault—indicates the absence of config-restore file (iss.conf) and that the device has started with default values.

show config-restore status

Mode

Privileged EXEC Mode

Default

```
configRestoreDefault
```

Examples

```
iS5Comm# show config-restore status
```

```
SWITCH CONFIGURATION RESTORE STATUS
```

```
-----
```

```
Config Restore Status      : default configuration-restore
```

4.101. clear protocol counters

To clear the iS5Com counters for all protocols or only specified protocols, use the command **clear protocol counters** in Privileged EXEC Mode.

clear protocol counters

```
clear protocol counters [bgp] [ospf] [rip] [rip6] [ospf3] [ipv4] [ipv6]
```

Parameters

Parameter	Type	Description
bgp		Enter to clear the counters for BGP.
ospf		Enter to clear the counters for OSPF
rip		Enter to clear the counters for RIP.
rip6		Enter to clear the counters for RIP6.
ospf3		Enter to clear the counters for OSPF3.
ipv4		Enter to clear the counters for IPv4.
ipv6		Enter to clear the counters for IPv6.

Mode

Privileged EXEC Mode

Examples

```
iS5Comm (config)# clear protocol counters
```

4.102. dump core-file

To configure the location where the dump core file has to be stored, use the command **dump core-file** in Global Configuration Mode.

dump core-file

Mode

Global Configuration Mode

Examples

```
iS5Comm (config)# dump core-file flash:/home/twg
```

4.103. dump

To display memory content from the given memory location, use the command **dump** in Privileged EXEC Mode.

dump

```
dump {mem <integer(1-0xffffffff)> [len <integer(1-256)>] | que name  
[<string(4)>] | sem name [<string(4)>] | task name [<string(4)>]}
```

Parameters

Parameter	Type	Description
mem		Enter to configure the memory location
<integer (1-0xffffffffff) >		Enter an Hex (0x<address>) to specify memory location.
len		Enter to configure the byte length.
<integer (1-256) >		Enter a value for byte length. This value ranges from 1 to 256.
que		Enter to display queue-related information.
name		Enter to specify string name for queue-related information to be displayed.
<string (4) >		Enter a string for name for queue, semaphore/ task. This value is a string with maximum size 4.
sem		Enter to display semaphore-related information.
name		Enter to specify string name for semaphore related information to be displayed.
task		Enter to display task-related information.
name		Enter to specify string name for task-related information to be displayed.

Mode

Privileged EXEC Mode

Examples

```
iS5Comm # dump mem 0x0ae07880 len 8
```

```
0x7d 0x00 0x68 0xdf 0x4d 0x0a
```

```
dump sem name
```

```

Name          Num Tasks
Blocked
MEMU          0
BUFS          0
000m          0

```

001m	0
002m	0
TMMU	0
IMSM	0
001r	0
002r	0
SNDB	0
TRIE	0
003m	0
004m	0
005m	0
tris	0
006m	0
007m	0
008m	0
TRRP	0
TRLP	0 & the list continues

4.104. debug iss

To enable the tracing as per the configured debug levels, use the command **debug iss** in Global Configuration Mode. The trace statements are generated for the configured trace levels. The `no` form of the command disables the tracing of as per the configured debug levels. The trace statements are not generated for the configured trace levels.

debug iss

```
debug iss {enable | disable} [init-shut] [management-trc] [data-path-trc]
[cntrl-plane-trc] [dump-trc] [os-resource-trc] [all-fail]
```

no debug iss**Parameters**

Parameter	Type	Description
enable		Enter to enable debug traces for ISS
disable		Enter to disable debug traces for ISS
init-shut		Enter to generate debug statements for init and shutdown traces
management-trc		Enter to generate debug statements for management traces
data-path-trc		Enter to generate debug statements for data path traces
cntrl-plane-trc		Enter to generate debug statements for control plane traces
dump-trc		Enter to generate debug statements for dump traces
os-resource-trc		Enter to generate debug statements for OS resource traces
all-fail		Enter to generate debug statements for failure traces

Mode

Global Configuration Mode

Examples

```
iS5Comm(config)# debug iss enable init-shut
```

4.105. show nvram

To display the current information stored in the NVRAM (nonvolatile random-access memory), use the command **show nvram** in Privileged EXEC Mode.

show nvram

Mode

Privileged EXEC Mode

Examples

```
iS5Comm# show nvram
```

```
Switch-3# sh nvram
Default IP Address           : 192.168.10.1
Default Subnet Mask         : 255.255.255.0
Default IP Address Config Mode : Manual
Default IP Address Allocation Protocol : DHCP
Switch Base MAC Address     : e8:e8:75:80:01:eb
Switch Secondary MAC Address : e8:e8:75:80:01:ea
Default Interface Name      : Gi0/1
Config Restore Option       : Restore
Config Save Option          : Startup save
Config Save IP Address      : 0.0.0.0
Config Save Filename        : iss.conf
Config Restore Filename     : iss.conf
PIM Mode                    : Sparse Mode
IGS Forwarding Mode         : IP based
Cli Serial Console          : Yes
Mgmt Port Access            : Yes
External Storage Access    : Yes
SNMP EngineID               : 80.00.08.1c.04.46.53
SNMP Engine Boots           : 132
Default VLAN Identifier     : 1
Stack PortCount             : 0
ColdStandby                 : Disable
Store Default Value         : Disable
Vrf Unique Mac              : Disable
Factory Software Version    : 1.19.01A01
Firmware Revision           : 1.41
UBoot Software Version      : U-Boot 2016.09 ver 3.16
Switch Name                  : Raptor
Prompt Name                  : Switch-3
Banner Name                  : iBiome OS
TimeStamp Method             : TransHardware
Restore Flag                 : Disabled
Dynamic Port Count          : 28
Restore Option               : Enabled
Bridge Mode                  : Customer Bridge
Debugging Log File Location : /mnt/log/
Automatic Port Create Flag  : Enabled
Restore Type                 : MSR
CLI Pagination               : Off
IMG_DUMP_PATH                :
Switch-3#
```

NOTE: The CLI pagination behavior is changed to be with global settings rather than session-specific.

Pagination settings are saved as part of the NVRAM settings (see CLI Pagination as shown above) and remains persistent across reboot. After changing the settings, write startup config is not required.

If multiple CLI sessions are opened via Telnet, SSH and Console, change in one session shall reflect in the other session.

4.106. debug np module

To enable tracing and generates debug statements for NPAPI traces for the specified module, use the command **debug np module** in Privileged EXEC Mode. The no form of this command disables the NPAPI trace levels for the specified module.

debug np module

```
debug np module {see list of available parameters} severity {<integer (1-8)>
| alerts | critical | debugging | emergencies | errors | informational |
notification | warnings
```

no debug np module

```
no debug np module {see list of available parameters} severity {<integer
(1-8)> | alerts | critical | debugging | emergencies | errors | informa-
tional | notification | warnings
```

Parameters

The list of parameters are as follows:

- acl ACL related NP programming
- bcmx BCMX related NP programming
- bfd BFD related NP programming
- brg BRG related NP programming
- cfa CFA related NP programming
- cpss CPSS related NP programming
- diffserv DIFFSERV related NP programming
- dsmon DSMON related NP programming
- ecfm ECFM related NP programming
- elps ELPS related NP programming
- eoam EOAM related NP programming
- erps ERPS related NP programming
- ether ETHER related NP programming
- fmn FMN related NP programming
- igmp IGMP related NP programming
- p6 IPv6 related NP programming
- ipmc IPMC related NP programming
- iss ISS related NP programming
- la LA related NP programming
- lion LION related NP programming
- mau MAU related NP programming
- mbs MBS related NP programming

- mld MLD related NP programming
- mlds MLDS related NP programming
- mpls MPLS related NP programming
- mrp MRP related NP programming
- mstp MSTP related NP programming
- np NP related NP programming
- ofc OFC related NP programming
- pbb PBB related NP programming
- pnac PNAC related NP programming
- poe POE related NP programming
- ppp PPP related NP programming
- ptp PTP related NP programming
- pvrst PVRST related NP programming
- qos QOS related NP programming
- rbr RBR related NP programming
- red RED related NP programming
- rm RM related NP programming
- rmon RMON related NP programming
- rport RPORT related NP programming
- rstp RSTP related NP programming
- srcmv SRCMV related NP programming
- synce SYNCE related NP programming
- tac TAC related NP programming
- vcm VCM related NP programming
- vlan VLAN related NP programming

Parameter	Type	Description
see list of available parameters	Integer	Select a parameter from the list shown above.
<integer(1-8)>	Integer	Enter a number to determine severity level.
alerts		Enter to set the severity to alerts or immediate action needed.
critical		Enter to set the severity to critical or critical conditions.
debugging		Enter to set the severity to debugging or debugging messages.
emergencies		Enter to set the severity to emergencies or system is unusable.
errors		Enter to set the severity to errors or errors conditions.

Parameter	Type	Description
informational		Enter to set the severity to informational or information messages.
notification		Enter to set the severity to notification or normal but significant messages.
warnings		Enter to set the severity to warnings or warning conditions.

Mode

Privileged EXEC Mode

Examples

```
iS5Comm # debug np module red severity informational
```

4.107. description

To set the description of an interface, use the command **description** in Interface Configuration Mode.

description

```
description <description of this interface>
```

Parameters

Parameter	Type	Description
<description of this interface>		Enter a string for description of the interface. This value is a string with a maximum size of 127.

Mode

Interface Configuration Mode

Examples

```
iS5Comm (config-if)# description Interface1
```

```
iS5Comm# show interfaces description
```

```
Interface      Status  Protocol  Description
```

```

-----
Gi0/1      up      down    interface1
Gi0/2      up      down

```

4.108. counters

To enable or disable the statistics collection status for the interface, use the command **counters** in Interface Configuration Mode.

counters

```
counters {enable | disable}
```

Parameters

Parameter	Type	Description
enable		Enter to enable the statistics collection for the interface.
disable		Enter to disable the statistics collection for the interface.

Mode

Interface Configuration Mode (Vlan)

Examples

```
iS5Comm(config)# interface vlan 1
iS5Comm(config-if)# counters enable
```

4.109. show l3vlan interfaces counters

To display the statistics counters for the L3 vlan interface, use the command **show l3vlan interfaces counters** in Privileged EXEC Mode.

show l3vlan interfaces counters

```
show l3vlan interfaces counters [vlan <vlan_vfi_id>
```

Parameters

Parameter	Type	Description
vlan		Enter a string for description of the L3 VLAN interface.
<vlan_vfi_id>		<p>Enter a value for an interface to be displayed.</p> <ul style="list-style-type: none"> <vlan -id> - VLAN ID is a unique value that represents the specific VLAN. This value ranges from 1 to 4094. vfi-id>. - VFI ID is a VLAN created in the system which contains Pseudo wires and Attachment Circuits as member ports . This creates a logical LAN for the VPLS service. This value ranges from 4096 to 65535. <p>NOTE: The VLAN ID 4095 is reserved and may be used to indicate a wildcard match for the VID in management operations or Filtering Database entries. For example if 100 VFIs are supported, the maximum number of VFI supported will be restricted to maximum number of VLANs + 100. An error message is displayed for any value beyond this range.</p> <p>NOTE: VFI IDs 4096 and 4097 are reserved identifiers used in MPLS PW.</p> <p>NOTE: The theoretical maximum for the maximum number of VFI is 65535 but the actual number of VFI supported is a sizing constant. Based on this, the maximum number of VFI ID accepted in the management interface is restricted.</p>

Mode

Privileged EXEC Mode

Examples

```
iS5Comm # show l3vlan interfaces counters vlan 1 switch default
```

```

Port          InPkt      InOctets
----          -
vlan1         1          229

```

4.110. set entity physical-index

To configure the read-write objects of the physical components present in the system which defines a greater than zero value used to identify a physical entity, use the command **set entity physical-index** in Global Configuration Mode. The no form of the command deletes the configuration.

Managed objects are accessed via a virtual information store, termed the Management Information Base or MIB. MIB objects are generally accessed through the Simple Network Management Protocol (SNMP).

Entity MIB is a standardized way of representing a single agent that supports multiple instances of one MIB. With the entity MIB support in iss, all instances of the MIBs registered with agent are identifiable, so that the NMS (Network Management System) can easily communicate with the particular instance / logical entity. MIB also provides the complete hierarchal hardware component view to the user.

The single agent present in each of these cases implies a relationship binds these entities. Effectively, there is some "overall" physical entity which houses the sum of the things managed by that one agent, i.e., there are multiple "logical" entities within a single physical entity.

A "physical entity" or "physical component" represents an identifiable physical resource within a managed system. Zero or more logical entities may utilize a physical resource at any given time. Determining which physical components are represented by an agent in the EntPhysicalTable is an implementation-specific matter. Typically, physical resources (e.g., communications ports, backplanes, power supplies, the overall chassis) that can be managed via functions associated with one or more logical entities, are included in the MIB. Reference, RFC 4133.

The physical index is an arbitrary value that uniquely identifies the physical entity which can be small positive integer.

set entity physical-index

```
set entity physical-index <integer (1-2147483647)> [asset-id <SnmpAdmin-String (1-32)>] [serial-number <SnmpAdminString (1-32)>] [alias-name <SnmpAdminString (1-32)>] [uris <OCTET-STRING (1-255)>]
```

no set entity physical-index

```
no set entity physical-index <integer (1-2147483647)> [asset-id] [serial-number] [alias-name] [uris]
```

Parameters

Parameter	Type	Description
<integer (1-2147483647)>		Enter to specify the Index of the physical entity. This value ranges from 1 to 2147483647
asset-id		Enter to specify the asset tracking identifier for the physical entity.
<SnmpAdminString (1-32)>	Integer	Enter a value for asset tracking identifier. This value is a string of size varying between 1 and 32 characters. Asset tracking identifier is not needed for the physical entities (such as repeater ports within a repeater module) that are not considered as a field replaceable unit by the vendor. A zero-length string is returned for these entities.
serial-number		Enter to specify the vendor-specific serial number string for the physical entity.
<SnmpAdminString (1-32)>	Integer	Enter a value for serial-number identifier. This value is a string of size varying between 1 and 32 characters. Serial number string is not needed for the physical entities (such as repeater ports within a repeater module) that are not considered as a field replaceable unit by the vendor. A zero-length string is returned for these entities
alias-name		Enter to specify the alias name for the physical entity.
<SnmpAdminString (1-32)>	Integer	Enter a value for alias-name identifier. This value provides a non-volatile handle for the entity and is a string of size varying between 1 and 32 characters.
uris		Enter to specify the additional identification information (URI-Uniform Resource Indicator) about the physical entity.
<OCTET-STRING (1-255)>	Integer	Enter a value for URI. This value ranges from 1 to 255

Mode

Global Configuration Mode

Default

- assetId - Zero-length string, on initial instantiation of the physical entity.

- Zero-length string, on initial instantiation of the physical entity, if a serial number is unknown or non-existent. Correct vendor-assigned serial number, on initial instantiation of the physical entity, if the serial number is available to the SNMP agent
- alias-name - Zero-length string, on initial instantiation of the physical entity. The SNMP agent may also set the value to a locally unique default value.

Prerequisites

- If write access is implemented for an instance of asset ID and a value is written into the instance, SNMP agent should retain the value as long as the entity associated with the instance remains instantiated. This instantiation includes the instantiation across all re-initialization / reboot of the NMS. and instantiation resulting in a change of the physical entity's index value.
- If write access is implemented for an instance of the serial number string and a value is written into the instance, SNMP agent should retain the value as long as the entity associated with the instance remains instantiated. This instantiation includes the instantiation across all re-initialization / reboot of the NMS. and instantiation resulting in a change of the physical entity's index value.
- If the agents cannot provide non-volatile storage for the serial number string, then the agents are not required to implement write access for the the serial number string object.
- Implementations that can correctly identify the serial numbers of all installed physical entities are not required to provide write access to the serial number string object
- If write access is implemented for an instance of the alias name and a value is written into the instance, SNMP agent should retain the value as long as the entity associated with the instance remains instantiated. This instantiation includes the instantiation across all re-initialization / reboot of the NMS. and instantiation resulting in a change of the physical entity's index value.

Examples

```
iS5Comm (config)# set entity physical-index 2222222 asset-id 8 serial-number 7 alias-name GJG uris yg
```

4.111. show entity

To display details about MIB entity configuration of physical entities, logical entities, logical and physical entities mapping, mapping of logical and physical entities with external identifiers, or containment relationship details of physical components, use the command **show entity** in Privileged EXEC Mode.

show entity

```
show entity {physical [index <integer (1-2147483647)>] | logical [index  
<integer (1-2147483647)>] | lp-mapping | alias-mapping [index <integer  
(1-2147483647)>] phy-containment [index <integer (1-2147483647)>]}
```


Parameters

Parameter	Type	Description
<code>physical</code>		Enter to specify displaying of the physical entities which are physical components that represents an identifiable physical resource within a managed system. Zero or more logical entities may utilize a physical resource at any given time.
<code>index</code>		Enter to a value for the physical entity, logical entity, mapping of logical and physical entities with external identifiers, or containment relationship details of physical components respectively. This value ranges from 1 to 2147483647.
<code><integer (1-2147483647)></code>		Enter to display the IP interface configuration for the specified VLAN ID.
<code>logical</code>		Enter to specify displaying of multiple logical entities within a single physical entity. The overall physical entity contains multiple (smaller) physical entities and each logical entity is associated with a particular physical entity.
<code>lp-mapping</code>		Enter to specify displaying of the mapping of logical and physical entities, interfaces, and non-interface ports managed by a single agent. The LPMapping contains mappings between logical entities and physical components supporting that entity. A logical entity can map to more than one physical component, and more than one logical entity can map to the same physical component.
<code>alias-mapping</code>		Enter to specify displaying of the mapping of logical and physical entity with alias external object identifiers values. This allows resources managed with other MIBs (e.g. repeater ports, bridge ports, physical and logical interfaces) to be identified in the physical entity hierarchy.
<code>phy-containment</code>		Enter to specify displaying of the simple mapping between the physical contained values for each container / containee relationship in the managed system.

Mode

Privileged EXEC Mode

Examples

iS5Comm# show entity physical index 1

```

Physical Index: 1
Physical Descr: Network Element
Physical VendorType:
Physical ContainedIn: 0
Physical Class: Chassis
Physical ParentRelPos: 0
Physical Name: iS5Com
Physical HardwareRev: 1531-0001-B04
Physical FirmwareRev: 6.7.2
Physical Serial Num: not available
Physical MfgName: iS5Com
Physical ModelName: not available
Physical Alias: DummyName
Physical AssetID: DummyId
Physical MfgDate: 2009-8-6,13:30:30.1
Physical Uris: not available
Physical FRU Status: True

```

iS5Comm# show entity logical index 1

```

Logical Index: 1
Logical Description: iS5Com
Logical Description: iS5Com
Logical Type:
Logical Community: default
Logical Transport Address: 192.168.10.1:161
Logical Transport Domain:
Logical Context Engine Id: 80:00:08:1c:04:46:53
Logical Context Name: default

```

iS5Comm# show entity lp-mapping

Logical Entity	Mapped Physical Entity
-----	-----
1 ()	10 (Port)
2 ()	12 (Port)

iS5Comm# show entity alias-mapping

Physical Entity	Logical Entity	Mapped External Identifier
-----	-----	-----
10 (Port)	all	
1 (Port)	all	
12 (Port)	all	
13 (Port)	all	
14 (Port)	all	

```
15 (Port)          all
```

```
iS5Comm# show entity phy-containment
```

```
Containment Relationship
```

```
-----
```

```
Physical Entity      : 1 (Chassis)
```

```
Member Physical Entities : 2 (CPU), 3 (Power Supply), 4 (Fan)
```

```
5 (Fan), 6 (Fan), 7 (Fan)
```

```
8 (Fan), 9 (Module)
```

```
Physical Entity      : 9 (Module)
```

```
Member Physical Entities : 10 (Port), 11 (Port), 12 (Port)
```

```
13 (Port), 14 (Port), 15 (Port)
```

```
16 (Port), 17 (Port), 18 (Port)
```

```
19 (Port), 20 (Port), 21 (Port)
```

```
22 (Port), 23 (Port), 24 (Port)
```

```
25 (Port), 26 (Port), 27 (Port)
```

```
28 (Port), 29 (Port), 30 (Port)
```

```
31 (Port), 32 (Port), 33 (Port)
```

```
34 (Port), 35 (Port), 36 (Port)
```

```
37 (Port)-----
```

4.112. gratuitous arp

This command is used to enable the gratuitous arp feature on an interface.

ip arp gratuitous

no parameters are used for this command.

Parameters

None

Mode

Privileged EXEC Mode

Example: Enabling Gratuitous ARP

```
iS5Comm# configure terminal
```

```
iS5Comm (config)# interface gigabitethernet 0/1
```

```
iS5Comm (config-if)# shutdown
```

```
iS5Comm (config-if)# no switchport
iS5Comm (config-if)# ip arp gratuitous
iS5Comm (config-if)# no shutdown
iS5Comm (config-if)# exit
iS5Comm (config)# exit
iS5Comm#
```

Example: Disabling Gratuitous ARP

Enabling Gratuitous ARP

```
iS5Comm# configure terminal
iS5Comm (config)# interface gigabitethernet 0/1
iS5Comm (config-if)# shutdown
iS5Comm (config-if)# no switchport
iS5Comm (config-if)# no ip arp gratuitous
iS5Comm (config-if)# no shutdown
iS5Comm (config-if)# exit
iS5Comm (config)# exit
iS5Comm#
```

4.113. show grat-arp

This command is used to enable the gratuitous arp feature on an interface.

show grat-arp

```
show grat-arp
  [<interface-type> <interface-id>]
```

Parameters

Parameter	Type	Description
interface-type		Valid entries are either “Extreme-Ethernet” or “Gigabitethernet”.
interface-id		For the “Gigabitethernet” interface type valid entries are <0>/<1-28> For the “Extreme-Ethernet” interface type valid entries are <0>/<1-4>

Mode

Privileged EXEC Mode

Example: Show Gratuitous ARP

```
iS5Comm# show grat-arp
```

```
iS5Comm# show grat-arp gigabitethernet 0/1
```

Figure 1: Output from show grat-arp gigabitethernet 0/1

```
Gratuitous Arp Details
-----
Record #1
  Interface                : gigabitethernet 0/1
  Gratuitous Arp Status    : Enable

  Gratuitous Arp Transmission Details

  Gratuitous Arp Request Tx Source IP      : 0.0.0.0
  Gratuitous Arp Response Tx Source IP     : 0.0.0.0
  Gratuitous Arp Request Tx Reason        : None Transmitted
  Gratuitous Arp Response Tx Reason       : None Transmitted
  Gratuitous Arp Request Tx Count         : 0
  Gratuitous Arp Response Tx Count        : 0

  Gratuitous Arp Received Details

  Gratuitous Arp Request Rx Source IP      : 0.0.0.0
  Gratuitous Arp Response Rx Source IP     : 0.0.0.0
  Gratuitous Arp Request Source MAC       : 00:00:00:00:00:00
  Gratuitous Arp Response Source MAC      : 00:00:00:00:00:00
  Gratuitous Arp Request Rx Count         : 0
  Gratuitous Arp Response Rx Count        : 0
iS5comm# █
```

4.114. show opensource-packages

To display the list of open source packages, use the command **show opensource-packages** in Privileged EXEC Mode.

show opensource-packages

```
show opensource-packages
```

Mode

Privileged EXEC Mode

Examples

```
iS5Comm# show opensource-packages
  Name                | Version
  -----|-----
  OpenSSL              | 3.0.12
  LibSSH               | 0.9.6-2
  LibCurl              | 8.5.0-DEV
  Rsyslog              | 8.2206.0
  Libcrypto            | 1.9.4-beta25
```

4.115. show firmware information

To display the software revision number stored in Active and Backup partitions and active partition status, use the command **show firmware information** in Privileged EXEC Mode.

show firmware information

```
show firmware information
```

Mode

Privileged EXEC Mode

Examples

```
iS5Comm# show firmware information
  Active Partition Firmware Rev      : 1.15.12.1008-2023.03.02_is5 [iMX]
  Active Partition Build Date/Time   : 2023.03.02-12:09:38
```

```

Active Partition           : secondary
Backup Partition Firmware Rev : 1.13.05.651-2022.05.16_is5 [iMX]
Backup Partition Build Date/Time : 1.13.05.651-2022.05.16_is5show

```

4.116. show system information

To differentiate between firmware for different type of products, use the command **show environment all** in Privileged EXEC Mode.

show system information

```
show system information
```

Mode

Privileged EXEC Mode

Examples

```
iS5Comm# show system information
```

The product type is shown appended in [] brackets next to the firmware revision. The product definitions are iMX - for iMX950/iMX350, iMR- for iMR920/iMR320, and iMR350 - for iMR350.

```

Firmware Revision:           : 1.41
Factory Software Version:    : 1.18.05 [iMX]
Model Name                   :
iMX950-HV-HV-XX-XX-8GSFP-8GSFP-4TGSFP
Serial Number                 : MX354818-00005
Factory Name                  : iMX950
Factory Version               : 1531-0001-B05
Factory Sub revision          : 001
Factory S/N                   : 1531-0001-B05-27-20-0191
Factory Chassis Part Number   : N/A
Line Module 1 Name            : iRM-8GSFP
Line Module 1 Version         : 1031-0010-A03.001
Line Module 2 S/N             : R8GSFP4318-0018
Line Module 2 Name            : iRM-8GSFP
Line Module 2 Version         : 1031-0010-A03.001
Line Module 3 S/N             : R8GSFP4318-0017
Line Module 3 Name            : iRM-8GSFP
Line Module 3 Version         : 1031-0010-A03.001
Line Module 3 S/N             : R8GSFP4318-0020

```

```

Primary Software Version      : 9.2.9
FPGA Firmware Version        : 3.15
UBoot Software Version       : U-Boot 2016.09 ver 3.19
Linux Software Version       : Linux iS3000 Local version v1.20
CPLD Version                 : N\A
PSM Version                  : N\A
Switch Name                  : iS5com
Prompt Name                  : iS5comm
Banner Name                  : RAPTOR iBiome OS
System Contact               : iS5com
System Name                  : iS5com
System Location              : iS5com
Logging Option               : Console Logging
Device Uptime                : 2 Days, 11 Hrs, 3 Mins, 50 Secs
Login Authentication Mode    : Local
Config Save Status          : Not Initiated
Remote Save Status          : Not Initiated
Config Restore Status       : Not Initiated
Traffic Separation Control   : none

```

4.117. show iss-health status

For AU message (New Address) storm detection and to show the interface on which storm is detected, use the command **show iss-health status** in Privileged EXEC Mode.

show iss-health status

```
show iss-health status
```

Mode

Privileged EXEC Mode

Examples

```
iS5Comm# show iss-health status
```

```

SWITCH HEALTH HISTORY INFO
=====
ISS Status           : Up & Recoverable Runtime Event
Error Status        : AU storm detected on EX0/1, rate limit applied

```


4.118. show env all

For AU message (New Address) storm detection, use the command **show env all** in Privileged EXEC Mode.

show env all

```
show env all
```

Mode

Privileged EXEC Mode

Examples

If a storm is detected, the output of this CLI show command shows rate limit activated as below:

```
iS5Comm# show env all
CPU Threshold                : 80%
Current CPU Usage            : 4%
RAM Threshold                : 80%
Current RAM Usage           : 40%
Flash App Threshold         : 80%
Flash dedicated for App     : 275%
Dedicated Flash Usage by App : 19%
Flash Size                   : 8GByte
Power Supply 1 Presence     : Unknown
Power Supply 2 Presence     : Unknown
Switch Thermal Limit        : 85C
Switch High Threshold       : 80C
Switch Low Threshold        : -35C
Switch Current Temperature  : 33C
Core Temperature            : 49C
Line Module 1 Temperature   : 38C
Line Module 3 Temperature   : 43C
Line Module 4 Temperature   : 50C
Mgmt Port Routing           : Disabled
Rate Limiting for AU Messages : Active
```

4.119. show alarm status

To view the fault relay and LED state, and also to track the their change, use the command **show alarm status** in Privileged EXEC Mode.

show alarm status

```
show alarm status
```

Mode

Privileged EXEC Mode

Examples

```
iS5Comm# show alarm status
```

```
Relay State: Off
```

```
LED State: Off
```

```
Relay/LED state change history:
```

ID	TYPE	TIMESTAMP	DESCRIPTION	LED/RELAY
6000	PROTOCOL	Nov/1/04:28:22	RSTP root bridge node	off/off
3009	SWITCH	Nov/1/04:28:25	Gi0/9 Interface link state UP	off/off
3009	SWITCH	Nov/1/04:28:26	Gi0/9 Interface link state DOWN	off/off
3009	SWITCH	Nov/1/04:28:29	Gi0/9 Interface link state UP	off/off

4.120. set cli pagination on

To set the CLI pagination to be on, use the command **set cli pagination on** in Privileged EXEC Mode.

set cli pagination on

Mode

Global Configuration Mode

Examples

```
iS5Comm# configure terminal
```

```
iS5Comm(config) set cli pagination on
```

iS5Comm(config)# exit

iS5Comm# show nvram

```
Default IP Address           : 192.168.10.1
Default Subnet Mask         : 255.255.255.0
Default IP Address Config Mode : Manual
Default IP Address Allocation Protocol : DHCP
Switch Base MAC Address     : e8:e8:75:90:33:82
Switch Secondary MAC Address : e8:e8:75:90:33:81
Default Interface Name      : Gi0/1
Default RM Interface Name    : NONE
Config Restore Option       : No restore
Config Save Option          : No save
Auto Save                   : Disable
Incremental Save            : Disable
Roll Back                   : Enable
Config Save IP Address      : 0.0.0.0
Config Save Filename        : iss.conf
Config Restore Filename     : iss.conf
PIM Mode                    : Sparse Mode
IGS Forwarding Mode        : MAC based
Cli Serial Console         : Yes
SNMP EngineID              : 80.00.08.1c.04.46.53
SNMP Engine Boots          : 28
Default VLAN Identifier     : 1
Stack PortCount            : 0
ColdStandby                : Disable
Store Default Value        : Disable
Hitless Restart Flag       : Disable
iBiome Software Version     : 1.15.12A01
UBoot Software Version     : U-Boot 2016.09 ver 1.30
Switch Name                 : my_name
Prompt Name                 : my_prompt
Banner Name                 :
RM Heart Beat Mode         : Internal
RM Redundancy Type         : Hot
RM Data Plane Type         : Shared
RM Type                     : OOB
TimeStamp Method           : TransHardware
Restore Flag                : Enabled
Dynamic Port Count         : 28
```

```

FIPS operation mode           : Disabled
Restore Option                : Disabled
Bridge Mode                   : Customer Bridge
Debugging Log File Location   : /mnt/log/
Management Port               : Disabled
Automatic Port Create Flag    : Enabled
Restore Type                  : MSR
CLI Pagination                 : On
IMG_DUMP_PATH                  :

```

NOTE: The CLI pagination behavior is changed to be with global settings rather than session-specific.

Pagination settings are saved as part of the NVRAM settings (see CLI Pagination as shown above) and remains persistent across reboot. After changing the settings, write startup config is not required.

4.121. mst

To enable and disable the multiple STP (MSTP)- related configuration, use the **mst** command in Global Configuration Mode.

mst

```

mst
  instance-port-mapping { enable | disable }

```

Parameters

Parameter	Type	Description
instance-port-mapping		Enter for instance port mapping. This option, when enabled, limits only the member ports of the VLANs to participate in the respective MST instances if GVRP is enabled.
enable		Enter to enable the RSPAN feature.
disable		Enter to disable the RSPAN feature.

Mode

Global Configuration Mode

Examples

```
iS5Comm # configure terminal
```

```
iS5Comm (config)# mst instance-port-mapping enable
```

RADIUS

5. RADIUS

RADIUS (Remote Authentication Dial-In User Service), is widely used in network environments, and is a client/server protocol and software that enables remote access servers to communicate with a central server to authenticate dial-in users and authorize their access to the requested system or service. It is commonly used for embedded network devices such as routers, modem servers, switches and so on. *RADIUS* is currently the de-facto standard for remote authentication. It is very prevalent in both new and legacy systems. It is used for several reasons:

- *RADIUS* facilitates centralized user administration (Authentication, Authorization, and Accounting).
- *RADIUS* provides some protection against an active attacker.

5.1. radius-server host

To configure the *RADIUS* client with the parameters `host`, `timeout`, `key`, `retransmit`, use the command **radius-server host** in Global Configuration Mode. The `no` form of the command deletes the *RADIUS* server configuration.

radius-server host

```
radius-server host {<ipv4-address> | <ipv6-address> | <dns_host_name (255)>}  
[auth-port <integer(1-65535)>] [acct-port <integer(1-65535)>] [timeout  
<integer(1-120)>] [retransmit <integer(1-254)>] [key <secret-key-string  
(46)>] [primary]
```

no radius-server host

```
no radius-server host {<ipv4-address> | <ipv6-address> | <dns_host_name  
(255)>} [primary]
```

Parameters

Parameter	Type	Description
<ipv4-address>	A.B.C.D	Enter to configure the IPv4 address of the RADIUS server host.
<ipv6-address>	AAAA:: BBBB	Enter to configure the IPv6 address of the RADIUS server host
<dns_host_name (255)>		Enter to configure the DNS (Domain Name System) name of the RADIUS server host. This value is a string of maximum size 255.
auth-port		Enter to configures a specific UDP (User Datagram Protocol) destination port on this RADIUS server to be used solely for the authentication requests.
<integer(1-65535)>	Integer	Enter a value for UDP destination port to be used for authentication requests. This value ranges from 1 to 65535.
acct-port		Enter to configure a specific UDP destination port on this RADIUS to be solely used for accounting requests. This value ranges from 1 to 65535.
<integer(1-65535)>	Integer	Enter a value for UDP destination port to be used for accounting requests. This value ranges from 1 to 65535
timeout		Enter to configure the time period in seconds for which a client waits for a response from the server before re-transmitting the request.
<integer(1-120)>	Integer	Enter a value for time before the request is retransmitting. This value ranges from 1 to 120 seconds.
retransmit		Enter to configure the maximum number of attempts to be tried by a client to get response from the server for a request.
<integer(1-254)>	Integer	Enter a value for the number of retransmitting attempts. This value ranges from 1 to 254.
key		Enter to configure the per-server encryption key which specifies the authentication and encryption key for all RADIUS communications between the authenticator and the RADIUS server.
<secret-key-string (46)>	Integer	Enter a secret key string. This value is a string of maximum size 46. If the key value is not configured, then the default key will be used.

Parameter	Type	Description
primary		Enter to set the RADIUS server as the primary server. Only one server can be configured as the primary server, any existing primary server will be replaced, when the command is executed with this option.

Mode

Global Configuration Mode

Default

- timeout - 10 seconds
- retransmit - 3 attempts
- auth-port - 1812
- acct-port - 1813
- key - RADIUS

Prerequisites

- The maximum number of radius servers that can be configured is 5.

Examples

```
iS5Comm (config)# radius-server host 10.0.0.1 key pass
```

```
iS5Comm (config)# radius-server host 10.0.0.100
```

```
Radius will be configured with default secret key
```

5.2. set radius

The **set radius** command is used enable or disable *RADIUS* services.

set radius

```
set radius {enable | disable}
```


Parameters

Parameter	Type	Description
enable		Enables the RADIUS module.
disable		Disables the RADIUS module.

Mode

Global Configuration Mode

Examples

```
iS5Comm# configure terminal
```

```
iS5Comm(config)# set radius enable
```

5.3. show radius

To display *RADIUS* server Host information which contains, Index, Server address, Shared secret, Radius Server status, Response Time, Maximum Retransmission, Authentication Port and Accounting Port, and *RADIUS* Server Statistics for the data transfer between server and the client from the time of initiation, use the command **show radius** in Privileged EXEC Mode.

show radius

```
show radius {server [<ipv4-address> | <ipv6-address> | <dns_host_name  
(255)>]} | module [ status ] | statistics}
```

Parameters

Parameter	Type	Description
<code>server</code>		Enter to display server-related information.
<code><ipv4-addr ess></code>	A.B.C.D	Enter to display the related information for the specified IPv4 address of the RADIUS server host.
<code><ipv6-addr ess></code>	AAAA::BBBB	Enter to display the related information for the specified IPv6 address of the RADIUS server host.
<code><dns_host_ name (255)></code>		Enter to display the related information for the specified DNS (Domain Name System) name of the RADIUS server host. This value is a string of maximum size 255.
<code>statistics</code>		Enter to display statistics-related information
<code>module status</code>		Displays the status of the RADIUS module. It will show the module status, authentication port and accounting port.

Mode

Privileged EXEC Mode

Prerequisites

Debugging is disabled

Examples

```
iS5Comm # debug radius all
```

```
iS5Comm # show radius module status
```

5.4. debug radius

To enable *RADIUS* debugging options, use the command **debug radius** in Privileged EXEC Mode. The *RADIUS* debug traces capture error information and failure messages in the server. These are registered in a log file for future reference. Each trace has to be enabled individually. The no form of the command disables *RADIUS* debugging options.

debug radius

```
debug radius {all | errors | events | packets | responses | timers}
```

no debug radius**Parameters**

Parameter	Type	Description
all		Enter to specify generating of traces for all RADIUS server messages.
errors		Enter to specify generating of traces for error code messages. All instances where an error is identified are captured by this trace and all errors is registered in the log.
events		Enter to specify generating of traces for events-related messages. Events such as an authentication query from authenticator or a response from server are registered in the log.
packets		Enter to specify generating of traces for number of packets, kind of packets received and sent from server.
responses		Enter to specify generating of traces for responses sent from the server to authenticator.
timers		Enter to specify generating of traces for the different timers used in the session before the system is rebooted.

Mode

Privileged EXEC Mode

Default

Debugging is disabled

Examples

```
iS5Comm # debug radius all
```

TACACS

6. TACACS

TACACS (Terminal Access Controller Access Control System), widely used in network environments, is a client/server protocol that enables remote access servers to communicate with a central server to authenticate dial-in users and authorize their access to the requested system or service. It is commonly used for providing *NAS* (Network Access Security). *NAS* ensures secure access from remotely connected users. *TACACS* implements the *TACACS* Client and provides the *AAA* (Authentication, Authorization and Accounting) functionalities.

TACACS is used for several reasons:

- Facilitates centralized user administration
- Uses *TCP* for transport to ensure reliable delivery
- Supports inbound authentication, outbound authentication and change password request for the Authentication service
- Provides some level of protection against an active attacker

6.1. tacacs-server

To configure the *TACACS* client with the parameters *host*, *timeout*, *key*, *retransmit*, to set the retransmission related configuration with its *retransmit* value, and to configure the active server address and selects an active server from the list of servers available in the *TACACS* server table, use the command ***tacacs-server*** in Global Configuration Mode. The *no* form of the command deletes the server entry from the *TACACS* server table, resets the *retransmit* value to its default value, and disables the configured client active server.

tacacs-server

```
radius-server {host {<ipv4-address> | <ipv6-address> | <dns_host_name (255)>}  
[key <secret-key-string (64)>] [port <integer(1-65535)>] [single-connection]  
[timeout <integer(1-255)>] | retransmit <retries (1-5)> | use-server address  
{<ipv4-address> | <ipv6-address> | <dns_host_name (255)>}
```

no radius-server host

```
no radius-server host {<ipv4-address> | <ipv6-address> | <dns_host_name  
(255)>} | retransmit | use-server
```

Parameters

Parameter	Type	Description
host	A.B.C.D	Enter to configure the IPv4 address of the TACACS server host.
<ipv4-address>	A.B.C.D	Enter to configure the IPv4 address of the TACACS server host.
<ipv6-address>	AAAA:: BBBB	Enter to configure the IPv6 address of the TACACS server host
<dns_host_name (255)>		Enter to configure the DNS (Domain Name System) name of the TACACS server host. This value is a string of maximum size 255.
key		Enter to configure the authentication and encryption key for all TACACS communications between the authenticator and the TACACS server.
<secret-key-string (64)>	Integer	Enter a encryption key string. This value is a string of maximum size 64. If the key value is not configured, then the default key will be used.
port		Enter to configure the TCP port number in which the multiple sessions are established.
<integer(1-65535)>	Integer	Enter a value for the TCP port number. This value ranges from 1 to 120 seconds.
single-connection		Enter to configure the time period in seconds for which a client waits for a response from the server before re-transmitting the request.
timeout		Enter to configure the time period (in seconds) for which a client waits for a response from the server before closing the TCP connection. The link between the server and the client gets disconnected, if the specified time is exceeded.
<integer(1-255)>	Integer	Enter a value for time period for which a client waits for a response from the server before closing the TCP connection. This value ranges from 1 to 255 seconds.
retransmit		Enter to configure the retransmission related configuration and retransmit value. It is the number of times the client searches the active server from the list of servers maintained in the TACACS client, when active server is not configured.
<retries (1-5)>	Integer	Enter a number for retransmit retries.

Parameter	Type	Description
<code>use-server</code>		Enter to configure the active server address and selects an active server from the list of servers available in the TACACS server table.
<code>address</code>	Integer	Enter to configure IP address related configuration.
<code><ipv4-address></code>	A.B.C.D	Enter to configure the IPv4 address of the TACACS server host.
<code><ipv6-address></code>	AAAA:: BBBB	Enter to configure the IPv6 address of the TACACS server host
<code><dns_host_name (255)></code>		Enter to configure the DNS (Domain Name System) name of the TACACS server host. This value is a string of maximum size 255.

Mode

Global Configuration Mode

Default

- port - 49
- timeout - 5 seconds
- retries - 2

Prerequisites

- The maximum number of TACACS servers that can be configured is 5.
- The specified server should be any one of the entries from the TACACS server table.

Examples

```
iS5Comm (config)# tacacs-server host 12.0.0.100
    TACACS+ server configured with default secret key !
iS5Comm(config)# tacacs-server host 2005::33
    TACACS+ server configured with default secret key !
iS5Comm(config)# tacacs-server retransmit 3
iS5Comm (config)# tacacs use-server address 12.0.0.100
```

6.2. show tacacs

To display the server's details, such as IP address, single connection, port, etc, and statistical log information, such as authentication starts sent, aborts sent, etc, for *TACACS+* client, use the command **show tacacs** in Privileged EXEC Mode.

show tacacs

Mode

Privileged EXEC Mode

Prerequisites

This command displays the information only for the servers configured in the TACACS server table.

Examples

iS5Comm # show tacacs

```
Server : 1
Server address      : 12.0.0.100
Address Type       : IPV4
Single Connection  : no
TCP port           : 49
Timeout            : 5
Secret Key         :
Server : 2
Server address      : abc.google.com
Address Type       : DNS
Single Connection  : yes
TCP port           : 20
Timeout            : 30
Secret Key         :
Active Server address: abc.google.com
Authen. Starts sent : 0
Authen. Continues sent : 0
Authen. Enables sent : 0
Authen. Aborts sent : 0
Authen. Pass rcvd. : 0
Authen. Fails rcvd. : 0
Authen. Get User rcvd. : 0
Authen. Get Pass rcvd. : 0
```

```
Authen. Get Data rcvd. : 0
Authen. Errors rcvd.   : 0
Authen. Follows rcvd.  : 0
Authen. Restart rcvd.  : 0
Authen. Sess. timeouts : 0
Author. Requests sent  : 0
Author. Pass Add rcvd. : 0
Author. Pass Repl rcvd : 0
Author. Fails rcvd.    : 0
Author. Errors rcvd.   : 0
Author Follows rcvd.   : 0
Author. Sess. timeouts : 0
Acct. start reqs. sent : 0
Acct. WD reqs. sent    : 0
Acct. Stop reqs. sent  : 0
Acct. Success rcvd.    : 0
Acct. Errors rcvd.     : 0
Acct. Follows rcvd.    : 0
Acct. Sess. timeouts   : 0
Malformed Pkts. rcvd.  : 0
Socket failures        : 0
Connection failures    : 0
```

6.3. debug tacacs

To set the debug trace level for *TACACS* client module, use the command **debug tacacs** in Privileged EXEC Mode. The no form of the command disables the debug trace level for *TACACS* client module.

debug tacacs

```
debug tacacs {all | info | errors | dumptx | dumprx}
```


no debug radius

Parameters

Parameter	Type	Description
all		Enter to specify generating of debug messages for all possible traces (Dumptx, Dumprx, Error, Info).
info		Enter to specify generating of debug statements for server information messages such as TACACS session timed out, server unreachability, Session ID exceeded, etc.
errors		Enter to specify generating of traces for error debug messages such as failure caused during packet transmission and reception.
dumptx		Enter to specify generating of debug statements for handling traces. This trace is generated when there is an error condition in transmission of packets.
dumprx		Enter to specify generating of debug statements for handling traces. This trace is generated when there is an error condition in reception of packets.

Mode

Privileged EXEC Mode

Default

Debugging is disabled

Examples

```
iS5Comm # debug tacacs all
```

SSH

7. SSH

SSH (Secure Shell) is a protocol for secure remote login and other secure network services over an insecure network. It consists of three major components:

- The Transport Layer Protocol provides server authentication, confidentiality and integrity.
- The User Authentication Protocol authenticates the client-side user to the server. It runs over the transport layer protocol.
- The Connection Protocol multiplexes the encrypted tunnel into several logical channels. It runs over the user authentication protocol.

A Secure Shell (*SSH*) configuration enables a *SSH* server and client to authorize the negotiation of only those algorithms that are configured from the allowed list. The client sends a service request once a secure transport layer connection has been established. A second service request is sent after user authentication is complete. This allows new protocols to be defined and coexist with these protocols.

7.1. ssh

To enable or disable *SSH* subsystem or perform *SSH* server-related configuration, use the command **ssh** in Global Configuration Mode.

ssh

```
ssh {enable | disable | server-address <ip-address> [port  
<integer(1-65535)>]}
```

Parameters

Parameter	Type	Description
enable		Enter to enable ssh subsystem. When set to “enable”, the switch is accessible through ssh from remote location
disable		Enter to disable ssh subsystem. Setting ssh to disable, removes the ssh access to the switch.
server-address		Enter to configure the SSH server listening IP address.
<ip-address>		Enter the SSH server listening IP address.
port		Enter to configure the primary port number on which SSH server listens.
<integer (1-65535)> >	Integer	Enter a number for the primary port number on which SSH server listens

Mode

Global Configuration Mode

Default

enable

Port 22

Examples

```
iS5Comm(config)# ssh enable
```

```
iS5Comm (config)# ssh server-address 12.0.0.0 port 1
```

7.2. show ssh

To display the *SSH* server listening IP address and port information, use the command **show ssh** in Privileged EXEC Mode.

```
show ssh
```

Mode

Privileged EXEC Mode

Examples

```
iS5Comm # show ssh-configurations
  SSH Listening IP 0.0.0.0
  Port 22
```

7.3. show ssh-configurations

To display the *SSH* server listening IP address and port information, use the command **show ssh-configurations** in Privileged EXEC Mode.

show ssh-configurations

Mode

Privileged EXEC Mode

Examples

```
iS5Comm # show ssh-configurations
  SSH Listening IP 0.0.0.0
  Port 22
```

7.4. show ip ssh

To display the *SSH* server information, such as version, cipher algorithm, authentication, and trace level, use the command **show ip ssh** in Privileged EXEC Mode.

show ip ssh

Mode

Privileged EXEC Mode

Examples

```
iS5Comm # show ip ssh
  Status           : SSH is Enabled
  Version          : Both
  Cipher Algorithm : AES128-CBC
  Authentication   : HMAC-SHA1
  Trace Level      : None
```

Max Byte Allowed :32768

7.5. ip ssh

To configure the various parameters associated with *SSH* server including secure socket layer (*SSL*) encryption ciphers, use the command **ip ssh** in Global Configuration Mode. The standard port used by *SSH* is 22. *SSH* server allows remote and secure configuration of the switch. The *SSH* server provides protocol version exchange, data integrity, cipher and key exchange algorithms negotiation between two communicating entities, key exchange mechanism, encryption and server authentication. The **no ip ssh** command resets the various parameters associated with the *SSH* server. Version 2 of *SSH* is supported.

ip ssh

```
ip ssh {cipher ([ALL] [DHE_RSA_AES256_SHA256] [ECDH_ECDSA_AES128_SHA256]
[ECDH_RSA_AES128_SHA256] [ECDH_RSA_AES256_SHA256] [ECDH_RSA_CHACHA20_PO-
LY1305])}
```

no ip ssh

```
no ip ssh {cipher ([ALL] [DHE_RSA_AES256_SHA256] [ECDH_ECDSA_AES128_SHA256]
[ECDH_RSA_AES128_SHA256] [ECDH_RSA_AES256_SHA256] [ECDH_RSA_CHACHA20_PO-
LY1305])}
```

Parameters

Parameter	Type	Description
cipher		Enter to configure a cipher or algorithm encryption. The SSL protocol supports a variety of different cryptographic algorithms, or ciphers, for use in operations such as authenticating the server and client to each other, transmitting certificates, and establishing session keys. Clients and servers may support different cipher suites, or sets of ciphers, depending on various factors such as the version of SSL they support, company policies, etc. The list of available cipher suites / lists is as follows:
DHE_RSA_AES256_SHA256		Enter for DHE_RSA_AES256_SHA256 Kx=DH Au=RSA Enc=AES(256) Mac=SHA256
ECDH_ECDSA_AES128_SHA256		Enter for ECDH_ECDSA_AES128_SHA256 Kx=ECDH Au=ECDSA Enc=AES(128) Mac=SHA256
ECDH_RSA_AES128_SHA256		Enter for ECDH_RSA_AES128_SHA256 Kx=ECDH Au=RSA Enc=AES(128) Mac=SHA256
ECDH_RSA_AES128_SHA256		Enter for ECDH_RSA_AES128_SHA256 Kx=ECDH Au=RSA Enc=AES(256) Mac=SHA256
ECDH_RSA_CHACHA20_POLY1305		Enter for ECDH_RSA_CHACHA20_POLY1305 Kx=ECDH Au=RSA Enc=CHACHA20/POLY1305(256)
ALL		Enter for All of the ciphers.

Mode

Global Configuration Mode

Default

- All

Examples

```
iS5Comm (config)# ip ssh cipher ECDH_RSA_CHACHA20_POLY1305 DHE_RSA_AES256_SHA256
```

7.6. ip ssh pubkey-chain

To configure the SS *SSH* clients public key to be used for public key based authentication, use the command **ip ssh pubkey-chain** in Privileged EXEC Mode. The no form of the command disables the *SSH* clients public key that is to be used for public key based authentication.

ip ssh pubkey-chain

no ip ssh pubkey-chain

Mode

Privileged EXEC Mode

Examples

```
iS5Comm # ip ssh pubkey-chain
```

7.7. debug ssh

To enable the trace levels for *SSH*, use the command **debug ssh** in Privileged EXEC Mode. System errors such as memory allocation failures are notified through LOG messages and TRACE messages. Interface errors and protocol errors are notified using TRACE messages. Setting all bits will enable all trace levels and resetting them will disable all trace levels. The no form of the command resets the *SSH* trace levels.

debug ssh

```
debug ssh {all | buffer | ctrl | data | dump | mgmt | resource | server |  
shut}
```

no debug ssh**Parameters**

Parameter	Type	Description
all		Enter to specify generating of debug messages for all possible traces.
buffer		Enter to specify generating of debug messages for allocation and freeing of buffer.
ctrl		Enter to specify generating of traces for Control Plane functionality traces.
data		Enter to specify generating of debug statements for data path.
dump		Enter to specify generating of debug statements for packets handling traces. This trace is generated when there is an error condition in transmission or reception of packets.
mgmt		Enter to specify generating debug statements for management plane functionality traces.
resource		Enter to specify generating debug statements for traces for allocation and freeing of all resource except the buffers.
server		Enter to specify generating of debug statements while creating/ opening/ closing SSH server sockets and any failures to wake up SSH server sockets. Also generates debug statements during enabling /disabling of SSH server.
shut		Enter to specify generating of debug statements for shutdown traces. This trace is generated on successful shutting down of SSH related module and memory.

Mode

Privileged EXEC Mode

Default

Debugging is disabled

Examples

iS5Comm # debug ssh all

SSL

8. SSL

SSL (Secure Sockets Layer) has been developed for transmitting private documents through Internet. It works by using a private key for encrypting data that is transferred over the *SSL* connection. By convention, URLs that require an *SSL* connection start with `https`:

The *SSL* protocol is designed to provide privacy between two communicating applications (a client and a server) and authenticate the server, and optionally the client. *SSL* requires a reliable transport protocol (e.g., *TCP*) for data transmission and reception.

The advantage of the *SSL* protocol is that it is application protocol independent. A higher level application protocol (e.g., *HTTP*, *FTP*, *TELNET*, etc.) can layer on top of the *SSL* protocol transparently.

The *SSL* Protocol can negotiate an encryption algorithm and session key as well as authenticate a server before the application protocol transmits or receives its first byte of data. All of the application protocol data is transmitted encrypted, thus ensuring privacy.

8.1. show ssl server-cert

To display the *SSL* server certificate information, such as certificate, data, version, serial number, signature algorithm, etc, use the command **show ssl server-cert** in Privileged EXEC Mode. This command will display output only if *SSL* server certificate must had been created.

show ssl server-cert

Mode

Privileged EXEC Mode

Examples

```
iS5Comm # show ssl server-cert
```

The output will be similar to the following image:

```

Certificate:
  Data:
    Version: 3 (0x2)
    Serial Number: 1072812832 (0x3ff1d320)
    Signature Algorithm: sha256WithRSAEncryption
    Issuer: C=CA, ST=ONTARIO, L=MISSISSAUGA, O=iS5 COMMUNICATION INC, OU=ENGINEERING TEAM, CN=www.is5com.com
  Validity
    Not Before: Jul 11 21:37:45 2018 GMT
    Not After : Jul 10 21:37:45 2021 GMT
    Subject: C=CA, ST=ONTARIO, L=MISSISSAUGA, O=iS5 COMMUNICATION INC, OU=ENGINEERING TEAM, CN=www.is5com.com
  Subject Public Key Info:
    Public Key Algorithm: rsaEncryption
    RSA Public-Key: (2048 bit)
    Modulus:
      00:e1:3b:06:3e:b5:53:ec:e9:7e:80:20:25:8b:7e:
      0c:f3:e0:da:e0:f4:43:f5:9a:34:60:b5:9a:d8:da:
      91:3c:24:c2:27:6e:37:00:8e:ac:f5:91:5a:39:d2:
      1c:4b:44:69:d2:7a:03:85:de:ba:83:df:73:78:7e:
      14:10:80:7b:a4:8e:2b:8d:2d:89:5c:43:ee:91:d0:
      5a:2b:12:6b:63:81:b9:33:86:65:6f:04:73:65:82:
      ce:4c:ef:a4:97:b4:e8:c7:7c:58:ba:4c:b6:a0:6c:
      28:01:ba:1b:a3:be:81:55:14:b2:d5:87:94:62:cf:
      6d:97:47:5e:d7:36:6f:c9:ac:03:82:e1:ef:dc:89:
      1a:77:bc:16:7b:6f:79:e4:b1:2c:9f:d7:c7:f3:07:
      e5:cf:4c:da:e4:a6:b1:99:ad:4b:e4:c7:64:0a:8d:
      42:30:29:0c:11:32:51:4b:ac:96:88:d3:aa:11:61:
      20:87:87:e7:28:f8:3b:94:5e:8a:48:05:ba:52:60:
      bb:b6:38:25:64:23:09:fa:b0:fa:64:da:b2:d8:99:
      bb:6d:ef:7c:71:dd:6d:1c:0f:53:6e:af:2f:db:b0:
      78:18:5e:8a:c2:94:df:b1:2b:73:89:98:61:f2:fe:
      c8:40:89:78:f4:cc:46:c1:90:3a:04:1d:88:64:c9:
      bb:f1
    Exponent: 65537 (0x10001)
  Signature Algorithm: sha256WithRSAEncryption
    4b:2e:bd:e5:4a:9b:38:b3:99:75:45:1d:0a:f4:de:ca:a8:af:
    03:d1:7f:2d:f1:6b:0d:f4:85:28:f1:32:57:9e:ab:05:23:70:
    d1:61:a5:4b:36:5c:47:5c:51:c6:2b:5d:d5:ff:13:41:86:4c:
    b1:89:b2:73:e5:8d:a8:66:0f:26:df:7b:0d:b1:13:20:d3:6b:
    44:89:71:e5:94:3c:f3:8d:c9:67:4e:3e:ce:25:6a:0f:db:df:
    cd:e3:45:f9:ee:13:d8:78:d3:d5:9c:b5:a2:a9:d8:cb:42:38:
    a9:68:7c:3e:ca:ee:1b:15:90:bc:54:8a:9e:f4:31:5a:9a:5b:
    0c:f7:40:08:ff:3c:27:b7:91:fb:21:7a:ec:04:ed:4b:4b:26:
    9d:d7:d9:d9:9f:c3:e4:f9:64:03:f8:50:bc:df:52:c7:48:e6:
    e0:dc:fc:73:c4:49:7a:89:04:64:74:ed:08:03:73:e5:f5:00:
    d4:89:b3:43:2b:ba:a1:87:9c:08:da:cd:19:20:3e:bb:9f:27:
    a9:58:10:b0:c1:fd:ba:88:9d:d5:6b:5e:3b:0b:43:f0:e3:f7:
    3b:68:76:15:46:02:90:3f:72:f0:ab:7f:fb:27:b4:5c:ad:63:
    eb:33:0b:21:0b:00:9d:16:ca:57:50:a9:d9:4b:9d:6f:49:a9:
    8d:64:50:2d
iS5comm# █

```

8.2. show ip http

To display the *SSL* status and configuration information, use the command **show ip http** in Privileged EXEC Mode. Information such as *HTTP* secure server status & http secure server cipher suite is displayed.

show ip http secure server status

Mode

Privileged EXEC Mode

Examples

```
iS5Comm # show ip http secure server status
```

```
HTTP secure server status : Enabled
HTTP secure server port : 443
Minimum SSL Version : TLSv1.2
HTTP secure server ciphersuite : TLS_AES_128_GCM_SHA256
```

8.3. ip http

To set the *HTTP* port, use the command **ip http** in Global Configuration Mode. The **no** form of the command resets the *HTTP* port to its default value.

ip http

```
ip http {port <port-number (1-65535)> | secure (ciphersuite {TLS_ECDHE_R-
SA_WITH_AES_256_GCM_SHA384 | TLS_ECDHE_RSA_WITH_CHACHA20_POLY1305_SHA256 |
TLS_AES_256_GCM_SHA384 | TLS_CHACHA20_POLY1305_SHA256 | TLS_AES_128_GCM_
SHA256 } | port (1-65535) | minimum version {TLSv1_2 | TLSv1_3} | crypto key
RSA2048 {default | current | string values } server)}
```

no ip http

```
no ip http port | secure
```

Parameters

Parameter	Type	Description
port		Enter to configure HTTP port. his port is used to configure the router using the Web interface. The available port numbers are from 1 to 65535
<port-number (1-65535)>	Integer	Enter a port number. The available port numbers are from 1 to 65535 NOTE: TACACS user will be given root privilege by default or local user privilege if the user exists in local database
secure		Enter for SSL secure server related configuration. The options are as follows:
ciphersuite		Enter for Cipher-suites list options.
CR		Enter to disable SSL server on the device and also to disable ciphersuites and crypto key configuration. If you want to specify an encryption algorithm, enter one of the shown below options.
TLS_ECDHE_RSA_WITH_AES_256_GCM_SHA384		Enter for this encryption algorithm.
TLS_ECDHE_RSA_WITH_CHACHA20_POLY1305_SHA256		Enter for this encryption algorithm.
TLS_AES_256_GCM_SHA384		Enter for this encryption algorithm.
TLS_CHACHA20_POLY1305_SHA256		Enter for this encryption algorithm.
TLS_AES_128_GCM_SHA256		Enter for this encryption algorithm.
minimum version		This is used to specify the minimum level of TLS to be used. The choices are as follows.
TLSv1_2		TLS version 1.2
TLSv1_3		TLS version 1.3
rsa-with-aes-256-cbc-sha		Enter for this encryption algorithm.
crypto		Enter a name of the created list.

Parameter	Type	Description
key		
RSA2048		Enter for RSA algorithm.
default		This option will use the default RSA 2048 certificate values. A carriage return is entered after this option.
current		Use the current certificate subject name
Certificate Values are entered	A series of Strings	Up to 2 characters for the country code string Up to 100 characters for the state/province value Up to 100 characters for the city/locality value Up to 100 characters for the organization value Up to 100 characters for the organizational unit name Up to 100 characters for the common name
server		Enter to enable the SSL server on the device and also to configure the ciphersuites.
port		The port option when used after secure. For example “ip http secure port” allows the user to specify the port number of the HTTPS server. It is followed by a port number.
<port-number (1-65535)>	Integer	Value of the port number to be used by the HTTPS server.

Mode

Global Configuration Mode

Default

80

Prerequisites

HTTP port number configuration takes effect only when HTTP is disabled and enabled again

Examples

```
iS5Comm(config)# ip http port 90
```

```
iS5Comm(config)# ip http secure ciphersuite
```

For a new certificate to be used, the HTTP service must be disabled and then re-enabled.

```
(config)# no ip http secure server  
i5Comm(config)# ip http secure server
```

8.4. crypto pki keygen

To create private keys and certificates which the switch can use for operations such as *SSL*, *HTTPS*, and *IPSec*.

crypto pki keygen

```
crypto pki keygen {name | {RSA2048 | RSA4096 } { default | <country(2)>  
<state(100)> <locality(100)> <organization(100)> <organizational-unit(100)>  
<common-name(100)> | current }
```

Parameters

Parameter	Type	Description
name	string	The prefix of the file name. 2 files are created prefixKey.pem and prefixCert.pem.
RSA2048 or RSA4096		Size of the key 2048 or 4096.
default		Certificate will be created with following default values: <ul style="list-style-type: none"> • COUNTRY "CA" • STATE "ONTARIO" • LOCALITY "MISSISSAUGA" • ORGANIZATION "iS5 COMMUNICATION INC" • ORGANIZATIONAL_UNIT "ENGINEERING TEAM" • COMMON_NAME "https://www.is5com.com"
<country(2)>		Country Code Attribute
<state(100)>		State Attribute
<locality(100)>		Locality Attribute
<organizational-unit(100)>		Organizational Unit Attribute
<common-name(100)>		Common Name Attribute
current		Use the Certificate attributes of the current certificate

Mode

Global Config Mode

Examples

```
iS5Comm(config)# crypto pki keygen test1 RSA2048 default
```

Related Commands

```
show crypto pki
```

Example:

```
iS5Comm# show crypto pki test1
```

8.5. crypto pki csrgen

This command is used to generate a certificate signing request.

crypto pki csrgen

```
crypto pki csrgen { file-prefix }
```

Parameters

Parameter	Type	Description
file-prefix	string	The filename to be signed. If the key is XYZ.pem, enter XYZ.

Mode

Global Config Mode

Examples

```
iS5comm# configure terminal
iS5comm(config)# crypto pki csrgen test1
-----BEGIN CERTIFICATE REQUEST-----
MIICzzCCAAbcCAQIwGykxCzAJBgNVBAYTAkNBMRAdBgYDVQQIDAdPT1RBUk1PMRQw
EgYDVQQHDAtNSVNTSVNTQVVHQTEeMBwGAlUECgwVaVM1IENPTU1VTk1DQVRJT04g
SU5DMRkwFwYDVQQLDDBFTkdJTkVUk1ORyBURUFNMRCwFQYDVQQDDA53d3cuaXM1
Y29tLmNvbTCCASISwDQYJKoZIhvcNAQEBBQADggEPADCCAQoCggEBANulFoy7Kjzs
fjwKOSLnlIeTrqWtg3eigf1+BONYVCnzkyrr/mAcPenmaNDZWfgxkJFjj30sux/B
OzoL25rprCORqDnZzAOE0yoeANCvP038G4m9BroHUYFN5I6g51ZO3aq7LRxCtW4w
9DS4+aJmzHOpdVhR7gXV/srRALscRwwergPIF3ILCnMtk3Mgq+7BF8oa/047+1Rc
jEbI+yt21Se3GEXTa24aaYrT3fvnZz/n81JYiR2pPT15gOjjqCsJcylCx209rvQO
g6+tWmaRXhMSBW+JsUtEI3O5stwSm3Lj006Gsex5lyn93LzORZR7nhcIeprMhVBu
piJKZ1IXnjECAwEAAaAAMA0GCSqGSIb3DQEBCwUAA4IBAQCMMKUo2ZAnGfVkJZnda
XX9tz8r+CX8S/zip04E7XWtjGhp8x4SmrVVcU3rAfhGIc0eCFLufUtMTfTV1AnZfw
FolaN8fZHspMcH2ykcycrpEIXDdmHxa5T8dehk4pSgIgjmgArPTYKtOSYB9oRhb
lCx79VGAtbEB7qBQFfaM3Hq6KTd732NLhyXjFUXC390UsFd4KY5tui3Z2J/f6wpn
e6ltkqpFuZPtqbk6PHt7h/iy5AGpl0dRFfdUSXxWUowS8UYcIGCrrNyYQxcpxlFT
5vk/2ij4IhAT5DTssTmuWO2TZ+vsvMPlCmex8GPW2KadhFmGF5zw0olvpV3MaCit
38AW
-----END CERTIFICATE REQUEST-----

iS5comm(config)# █
```

8.6. crypto pki import

This command is used to import a certificate to the device.

crypto pki import

```
crypto pki import {key | cert | ca-cert}
```

Parameters

Parameter	Type	Description
key cert ca-cert	string	The file to be imported: a key, a cert or a ca-cert.
name	string	The name of the file to store. Limited to 32 characters.
file	string	If the file is to be installed via SFTP or USB then the path name of the file would be provided. If the path is not specified then the contents of the file can be pasted into the CLI directly.

Mode

Global Config Mode

Examples

```
iS5Comm(config)# crypto pki import cert i1
```

Enter Cert:

```
-----BEGIN CERTIFICATE-----
```

```

MIIDITCCAn2gAwIBAgIJAM5w8Azqdww5MA0GCSqGSIb3DQEBCwUAMIGJMQswCQYDVQQGEwJDQTEQ
MA4GA1UECAwHT05UQVJJTzEUMBIGA1UEBwwLTUITU0ITU0FVR0ExHjAcBgNVBAoMFWITNSBDT01NV
U5JQ0FUSU90IEIOQzEZMBcGA1UECwwQRU5HSU5FRVJJTkcgeVEVBTTExMBUGA1UEAwwOd3d3LmlzN
WNvbS5jb20wHhcNMjEwNTEwNTEwNTEwNTEwNTEwNTEwNTEwNTEwNTEwNTEwNTEwNTEwNTEwNTEw
xEDAObGNVBAgMB090VEFSSU8xFDASBgNVBAcMC01JU1NJU1NBVUdBMR4wHAYDVQQKBDBVpUzUgQ0
9NTVVO SUNBVEIPTiBJTkMxGTAXBgNVBAcMEEVOR0IORUVSSU5HIFRFRQU0xFzAVBgNVBAMMDnd3dy5p
czVjb20uY29tMIIBIjANBgkqhkiG9w0BAQEFAAOCAQ8AMIIBCgKCAQEAXDin2xPyY3v9X2zv974dyGQHg95
psL1jq8aYRB/E4YmnaBMVnqT63cFBdQW3vL3y1NgBg/Pu33bfmBgW8NllylkI8k3ICG58xsw80B5V0Tzzly5
Do0VY8PIfiiPCg6XfPGIQLLeOPVc7woqK8MYkuEVgoi2HV1I0MK6ybNtZy5A+hRwIFiCpEWn77/Vy4yqRljs
WRqSXlcPqH0mSQNonltw/XwHRn5Rqd65KZSDpe+hnXdxjsq2IF+olqR1+KQyh83fwi916Dcf23dpcYz6DaK
YrJJfIQ2/Uccxa8qfzr3erkUxLQW9hwOWMtbG6ctbWfRSrEWbpx0/H4xZVftMZTQIDAQABMA0GCSqGSIb
3DQEBCwUAA4IBAQBZ6yClyGiJMgO13lei3J+1HbFuPS9fQHYeUzlyJK5ZNbMf53iHNdptdwrZuqm/hFqjjxN
EzC96okEqncTgtvyiV7e/KEm/TyiA1WPUa/rk/g0aDwbkGR7K5I393SmKckzfj/eEfa+4IdJxAqMjupSvI9w5n
aRIYWZf+bWzqNPoZnXL899gRGwrZdp5jhKQasDik48FztaZLVU5VDeTO3EfepkwRnwNjs8BHAgwzG39Y9k
/wwUPw16KNRM0/vQVKIJqTZ1wQ3NJ4Tyx+Rr1NxxvgOo7Lh8t3uVbgqr1egZQDgz+skB2Xe8m6qJKj8-
JFGs3rs9Lq/Ma1rBZ1ITJF2xN

```

```
-----END CERTIFICATE-----
```

8.7. ip http secure crypto key

This command is used to specify the web server certificate and private key.

ip http secure crypto key

```
ip http secure crypto key <key-name> cert <cert-name>
```

Parameters

Parameter	Type	Description
key-name	string	HTTPS server private key file.
cert-name	string	HTTPS server certificate file.

Mode

Global Config Mode

Examples

```
iS5comm# show running-config ssl

#Building configuration...
!
ip http secure ciphersuite TLS_ECDHE_RSA_WITH_AES_256_GCM_SHA384 TLS_ECDHE_RSA_W
ITH_CHACHA20_POLY1305_SHA256 TLS_AES_256_GCM_SHA384 TLS_CHACHA20_POLY1305_SHA256
  TLS_AES_128_GCM_SHA256
ip http secure crypto key HttpsKey.pem cert HttpsCert.pem
ip http secure server
!
end
iS5comm# c t
iS5comm(config)# ip http secure crypto key HttpsKey.pem cert HttpsCert.pem
% HTTPS service should be restarted for the changes to take effect
iS5comm(config)# exit
iS5comm# show ssl server-cert

Certificate: HttpsCert.pem

Certificate:
  Data:
    Version: 3 (0x2)
    Serial Number:
      d2:14:e5:2e:c5:51:7c:81
    Signature Algorithm: sha256WithRSAEncryption
    Issuer: C=CA, ST=ONTARIO, L=MISSISSAUGA, O=iS5 COMMUNICATION INC, OU=ENGINEERING TEAM, CN=www.is5com.com
    Validity
      Not Before: May 19 18:45:24 2019 GMT
      Not After : May 18 18:45:24 2022 GMT
    Subject: C=CA, ST=ONTARIO, L=MISSISSAUGA, O=iS5 COMMUNICATION INC, OU=ENGINEERING TEAM, CN=www.is5com.com
    Subject Public Key Info:
      Public Key Algorithm: rsaEncryption
      RSA Public-Key: (2048 bit)
      Modulus:
        00:c1:ce:26:a9:9f:2e:8a:9a:68:e0:0d:a4:0d:01:
        f5:c6:94:d9:3e:23:53:71:3d:b2:57:0a:39:b8:73:
        b8:9f:76:e5:d2:9e:92:c7:47:41:6a:93:be:f9:4d:
--More--
```

8.8. no crypto pki

This command is used to clear the certificates and keys from the device.

no crypto pki

```
no crypto pki { file < name > | all }
```

Parameters

Parameter	Type	Description
name	string	Name of the key, Cert or CA Cert to be deleted.
all	string	Delete all pki files.

Mode

Global Config Mode

Examples

```
iS5Comm# show crypto pkiName Typetest1Cert.pem Certificate
```

```
iS5Comm# configure terminal
```

```
iS5Comm(config)#no crypto pki file test1Cert.pem
```

```
iS5Comm(config)# end
```

```
iS5Comm# show crypto pkiName Type
```

```
iS5Comm#
```

8.9. show crypto PKI

This command is used to list the certificates and keys on the device. It can also display the contents of individual certificate files.

show crypto pki

```
show crypto pki {name}
```

Parameters

Parameter	Type	Description
name	string	The file name.

Mode

Privileged Exec Mode

Examples

iS5Comm# show crypto pki

```
iS5comm# show crypto pki
-----
Name                               Type
-----
RaptorHttpsKey.pem                 Private Key
RaptorHttpsCert.pem                Certificate
-----
iS5comm# █
```

iS5Comm# show crypto pki RaptorHttpsCert.pem

```
iS5comm# show crypto pki RaptorHttpsKey.pem
RaptorHttpsKey.pem: is not a SSL Certificate, CA Certificate or CSR
iS5comm# show crypto pki RaptorHttpsCert.pem
-----BEGIN CERTIFICATE-----
MIIDlTCCAn2gAwIBAgIJANsG4wyLk5zLMA0GCSqGSIb3DQEBCwUAMIGJMQswCQYD
VQQGEwJDQTEQMA4GA1UECAwHT05UQVJJTzEUMBIGA1UEBwwLTU01TU01TU0FVR0Ex
HjAcBgNVBAoMFW11NSBD01NVU5JQ0FUSU90IE10QzEZMBcGA1UECwwQRU5HSU5F
RVJJTkcqVEVBTTEXMBUGA1UEAwwOd3d3LmlzNWNvbS5jb20wHhcNMTkwNDI5MTc0
NjMyWhcNMjIwNDI5MTc0NjMyWhcNMjIwNDI5MTc0NjMyWhcNMjIwNDI5MTc0
VEFSSU8xZDASBgNVBAcM01JU1NBU1NBVUdBMR4wHAYDVQQKBVpUzUgQ09NTVVO
SUNBVE1PTiBJTkMxGTAXBgNVBAcMEEVOR01ORUVSSU5HIFRFQU0xZzAVBgNVBAMM
Dnd3dy5pczVjb20uY29tMIIBIjANBgkqhkiG9w0BAQEFAAOCAQ8AMIIBCgKCAQEA
67gT9tSECUwmJCcEH81/EMR9/vFENsqKoNj17u6jd1Z47mEN7mqJQxsBRMCyGF0S
uIPydzYmr0sFlxqh3UvbPWGjS9xBACGE1A4009tuuH9x3gyeWey0UpwhmZ+zjJiY
q4Zul08LQ84Oh+/gAKstVTUP/goBeyB5fZFickfFXZ1t1rXgjz4h7/a9cz90BZCq
tBGxGfqqqbKwFjSr90DJoXHyXtwjiyK7AvN+EEkZkmlBPhK/K0xv5RdPqUuQVEue
OWh6KGynZez5Kb+F2GHatQV700FvEkDPcDlshsUGkRPyDaSoUILLIeDluUVEQIME
tpNp7mESZH4dd50AxubhPwIDAQABMA0GCSqGSIb3DQEBCwUAA4IBAQCCKZK0bafJ
WMco4pGbpvpceM/O5Tgfi+54U2E6FYSWcH6MeWH8gjtETWlptBnxWX1tj61TzbSI
132rSU4Q1AdPWV4yUiHDy0njWQG7P/wBQos278Pjt3WEUMkCjcEhS151QaiV/HMO
rrUSCanfng8BXIsfAQmdhYglU46tWiRmwlbBpk6FT8yR8i/Jbe4m46Shl/EKh/i6
70VvebwaoDtskltnLh831fSjE8dDUALuKY7vvfofPwewLQETFLM/c2Wke3c7MV2
DYrdOANouLs5A5ZVb8zE65T7VNPdu/kKRaqo6+f+PhIR13Hp3JZ5pXaB38nOAhK
OmxuyQMZhkZI
-----END CERTIFICATE-----
```

NOTE: The command also displays the certificate attributes which is not shown above.

8.10. show crypto map

To display the summary of policy status and tunnel status, use the command **show crypto map** in Privileged EXEC Mode.

show crypto map

```
show crypto map brief
```

Parameters

Parameter	Type	Description
map		Enter to display the summary of policy status and tunnel status.
brief		Enter to display the status summary of the crypto policies.

Mode

Privileged Exec Mode

Examples

```
iS5Comm# show crypto pki brief
```

```
iS5comm# show crypto pki
```

```
-----
Name                               Type
-----
RaptorHttpsKey.pem                 Private Key
RaptorHttpsCert.pem                 Certificate
-----
iS5comm# █
```

NOTE: Time to output vary upon the number of tunnels configured and cpu load. With above 50 tunnels and 250 mbps it takes ~10 secs for the output.

SNTP

9. SNTP

The *SNTP* (Simple Network Time Protocol) is a simplified version or subnet of the *NTP* protocol. It is used to synchronize the time and date by contacting the *SNTP* Server. The administrator can choose whether to set the system clock manually or to enable *SNTP*. If *SNTP* is enabled, the *SNTP* implementation discovers the *SNTP* server and gets the time from the server. The *SNTP* implementation also has callouts to set the system time based on the time received from the *SNTP* server. It supports different time zones, where the user can set the required time zone.

9.1. sntp

To enter *SNTP* configuration mode which allows the user to execute all commands that support *SNTP* Configuration Mode, use the command **sntp** in Global Configuration Mode.

sntp

Mode

Global Configuration Mode

Examples

```
iS5Comm (config)# sntp
```

```
iS5Comm (config-sntp)#
```

9.2. set sntp

To configure in broadcast mode: *SNTP* delay time, *SNTP* broadcast mode status, and *SNTP* client poll interval; *SNTP* client module; in Multicast mode: *SNTP* client poll interval, Maximum retry poll count value, *SNTP* client poll timeout, and Server address; in Multicast mode: *SNTP* delay time, *SNTP* multicast group address, *SNTP* multicast mode status, and *SNTP* client poll interval; in Unicast mode: *SNTP* client maximum retry poll count, *SNTP* client maximum poll interval timeout, Unicast-poll-interval, and Unicast server related configuration, use the command **set sntp** in *SNTP* Configuration Mode. The no form of this command disables authentication and the Daylight Saving Time, resets the system time zone to GM, and

deletes the listening port for *SNTP* client and resets to the default value; for unicast server, it deletes the *SNTP* unicast server attributes and sets them to default values.

set sntp

```
set sntp {broadcast-delay-time [<value (1000-15000) microseconds>]
  | broadcast-mode send-request {enabled | disabled}
  | broadcast-poll-timeout [<value (1-30) seconds>]
  | client {addressing-mode {unicast | broadcast | multicast | anycast} |
authentication-key <key-id> md5 <key> | clock-format {ampm | hours} |
clock-summer-time <week-day-month, hh:mm (20)> | enabled | disabled | port
<port number(123|1025-65535)> | time-zone <random_str> | version {v1 | v2 |
v3 | v4}}
  | anycast-poll-interval [<value (16-16384) seconds>]
  | anycast-poll-retry-count [<value ((1-10)seconds)>]
  | anycast-poll-timeout [<value ((1-30)seconds)>]
  | anycast-server {broadcast | multicast {ipv4 [<mcast_addr>] | ipv6
[<ip6_addr>]}
  | multicast-delay-time [<value (1000-15000) microseconds>]
  | multicast-group-address {ipv4 {A.B.C.D(<mcast_addr>) | default} | ipv6
{AAAA::BBBB(<ip6_addr>) | default}}
  | multicast-mode send-request {enabled | disabled}
  | multicast-poll-timeout [<value (1-30) seconds>]
  | unicast-max-poll-retry <value (0-10) times>
  | unicast-max-poll-timeout <value (1-30) seconds>
  | unicast-poll-interval [<value (16-16384) seconds>]
  | unicast-server {ipv4 <ucast_addr> | ipv6 <ip6_addr> | domain-name <
dns_host_name>} [{primary | secondary}] [version {3 | 4} [port
<integer(1025-36564)>]]}
```

no set sntp

```
no set sntp {client {authentication | clock-summer-time | port | time-zone}
| unicast-server {ipv4 <ucast_addr> | ipv6 <ip6_addr> | domain-name <
dns_host_name>}}
```


Parameters

Parameter	Type	Description
<code>broadcast-mode</code>		Enter to specify broadcast-mode.
<code>send-request</code>		Enter to specify that request packet is sent out to broadcast server
<code>enabled</code>		Enter to send the SNTP request packet to broadcast server to calculate the actual delay.
<code>disabled</code>		Enter to not send any SNTP request packet to broadcast server; instead the default value for the delay is taken. Disabled is default.
<code>broadcast-delay-time</code>		Enter to configure SNTP delay time or the time interval the SNTP client needs to wait for a response from the server
<code><value (1000-15000) microseconds></code>	Integer	Enter a value for delay time. This value ranges 1000 to 15000 microseconds.
<code>broadcast-poll-timeout</code>		Enter to configure SNTP client poll interval or the maximum interval to wait for a poll to be completed.
<code><value (1-30) seconds></code>	Integer	Enter a value for the maximum interval to wait for a poll to complete. This value ranges from 1 to 30 seconds. Default is 5.
<code>client</code>		Enter to set the addressing mode of SNTP client.
<code>addressing-mode</code>		Enter to configure the addressing mode of the SNTP client. The options are as follows. The default is Unicast.
<code>unicast</code>		Enter to configure the addressing mode of SNTP client as Unicast. A unicast client operates in a point-to-point fashion. It sends a request to a designated server at its unicast address and expects a reply from which it can determine the time and, optionally, the round-trip delay and local clock offset relative to the server.
<code>broadcast</code>		Enter to configure the addressing mode of SNTP client as Broadcast. Broadcast operates in a point-to-multipoint fashion. The SNTP server uses an IP local broadcast address instead of a multicast address. The broadcast address is scoped to a single subnet, while a multicast address has Internet wide scope.
<code>multicast</code>		Enter to configure the addressing mode of SNTP client as Multicast. Multicast operates in point-to-multipoint fashion. The SNTP server uses a multicast group address to send unsolicited SNTP messages to clients. The client listens on this address and sends no requests for updates.

Parameter	Type	Description
manycast		Enter to configure addressing mode of SNTP client as Multicast. Multicast operates in a multipoint-to-point fashion. The SNTP client sends a request to a designated IPv4 or IPv6 local broadcast address or multicast group address. One or more multicast servers reply with their individual unicast addresses.
authentication-key		Enter to configure the authentication parameters for the key. Some SNTP servers require authentication to be done before exchanging any data. This authentication key is used to authenticate the client to the SNTP server to which it tries to connect. By default, Authentication key ID is not set.
<key-id>	Integer	Enter a value for key identifier for providing authentication for the server and identifying the cryptographic key used to generate the message-authentication code. This value ranges from 1 to 65535.
md5		Enter to configure the authentication type as md5 (Message Digest-5) where data integrity is verified. MD5 is intended to be used with digital signature applications that require that large files are compressed by a secure method before being encrypted with a secret key under a public key cryptosystem.
<key>		Enter to configure the authentication code as a key value. This value is a string.
clock-format		Enter to configure the system clock as either am/ pm or hours format.
ampm		Enter to configure the system clock in am/ pm format
hours		Enter to configure the system clock in 24 hours format.
clock-summer-time		Enter to enable the DST (Daylight Saving Time). DST is a system of setting clocks ahead so that both sunrise and sunset occur at a later hour. The effect is additional daylight in the evening. The dates of DST may change from year to year.
<week-day-month, hh:mm (20)		Enter to configure the DST time. This value is a string of maximum size of 20. The input should be in the format listed below; <ul style="list-style-type: none"> • week—First, Second, Third, Fourth or Last week of month. • day—Sunday, Monday, Tuesday, Wednesday, Thursday, Friday or Saturday. • month—January, February, March, April, May, June, July, August, September, October, November or December. • hh:mm—time in hours and minutes.

Parameter	Type	Description
enabled		Enter to enable SNTP client module and sends a request to the host for time synchronization.
disabled		Enter to disable SNTP client module and no request is sent to the host for time synchronization.
port		Enter to modify the Client Port setting. It sets the listening port for SNTP client that refers to a port on a server awaiting a client connection. NOTE: Listening port for SNTP client should be 123 or greater than 1024, where the port below 1024 are reserved.
<port number (123 1025-65535 <td>Integer</td> <td>Enter a client port number value. This value is 123 or ranges from 1025 to 65535. Default is 123.</td>	Integer	Enter a client port number value. This value is 123 or ranges from 1025 to 65535. Default is 123.
time-zone		Enter to configure the system time zone with respect to UTC.
<random_str>		Enter values as follows. The default is + 00: 00. <ul style="list-style-type: none"> • +/- —sets the client time zone as after or before UTC. Plus indicates forward time zone and minus indicates backward time zone. • UTC-offset value as —sets the UTC offset value in hours: <ul style="list-style-type: none"> – +00:00 to +14:00 – -00:00 to -12:00
version		Enter to configure the operating version of the SNTP for the client.
v1		Enter to configure the version of SNTP client as 1.
v2		Enter to configure the version of SNTP client as 2.
v3		Enter to configure the version of SNTP client as 3.
v4		Enter to configure the version of SNTP client as 4. This is default.
mancast-poll-interval		SNTP client poll interval which is the maximum interval between successive messages.
<value (16-16384) seconds>	Integer	Enter a value for the maximum interval between successive messages. The poll interval value ranges from 16 to 16384 seconds, where the poll interval value is expressed in exponent of two. The default is 64.
mancast-poll-retry-count		Enter to configure SNTP poll retries count which is the maximum number of unanswered polls that cause a slave to identify the server as dead.

Parameter	Type	Description
<value ((1-10) seconds>	Integer	Enter a value for poll retries before identifying a server as dead. This value ranges from 1 to 10 seconds. The default is 3.
manycast-poll-timeout		Enter to configure SNTP client poll timeout which is the maximum interval to wait for a poll to complete
<value ((1-30) seconds>	Integer	Enter a value for SNTP clientpoll timeout. This value ranges from 1 to 30 seconds. The default is 5.
manycast-server		Enter to configure SNTP multicast or broadcast server address in manycast mode.
broadcast		Enter to configure an SNTP broadcast server address in manycast mode.
multicast		Enter to configure an SNTP multicast server address in manycast mode.
ipv4		Enter to configure the multicast server address in IPv4.
<mcast_addr>	A.B.C.D	Enter a value for the multicast server address in IPv4.
ipv6		Enter to configure the multicast server address in IPv6.
<ip6_addr>	AAAA:: BBBB	Enter a value for the multicast server address in IPv6.
multicast-delay-time		Enter to configure SNTP delay time in which there is no response from the multicast server.
<value (1000-15000) microseconds>	Integer	Enter to configure a value for the delay time with no response. This value ranges from 1000 to 15000 microseconds. The default is 8000.
multicast-group-address		Enter to configure an SNTP multicast server address in multicast mode.
ipv4		Enter to configure the multicast server address in IPv4.
<mcast_addr>	A.B.C.D	Enter a value for the multicast server address in IPv4.
default		Enter for default value
ipv6		Enter to configure the multicast server address in IPv6.
<ip6_addr>	AAAA:: BBBB	Enter a value for the multicast server address in IPv6.
default		Enter for default value
multicast-mode		Enter to configure the status of sending the request to the multicast server to calculate the delay time.

Parameter	Type	Description
send-request		Enter to specify sending the request.
enabled		Enter to send the SNTP request packet to multicast server to calculate the actual delay.
disabled		Enter for not sending any SNTP request packets to multicast server; instead the default value for the delay is taken. The default is Disabled.
multicast-poll-timeout		Enter to configure SNTP client poll interval in multicast mode which is the maximum interval to wait for the poll to complete.
<value (1-30) seconds>	Integer	Enter a value for the poll timeout interval. This value ranges from 1 to 30 seconds. The default value is 5.
unicast-max-poll-retry		Enter to configure SNTP client maximum retry poll count which is the maximum number of unanswered polls that cause a slave to identify the server as dead.
<value (0-10) times>	Integer	Enter a value for maximum poll retries before identifying a server as dead. This value ranges from 0 to 10 times. The default is 3.
unicast-max-poll-timeout		Enter to configure SNTP client maximum poll interval timeout which is the maximum interval to wait for the poll to complete.
<value (1-30) seconds>	Integer	Enter a value for maximum poll interval timeout. This value ranges from 1 to 30 seconds. The default is 5.
unicast-poll-interval		Enter to configure the SNTP unicast poll interval. The interval is the time between successive SNTP request transmissions in seconds
<value (16-16384) seconds>	Integer	Enter a value for the SNTP unicast poll interval. This value ranges from 16 to 16384 seconds and is expressed as exponent of two. The default is 64.
unicast-server		Enter to configure an SNTP unicast server.
ipv4		Enter to configure the address type of the unicast server as IPv4.
<ucast_addr>	A.B.C.D	Enter a valid IPv4 address. NOTE: One unicast server can be configured for an address type.
ipv6		Enter to configure the address type of the unicast server as IPv6.
<ip6_addr>		Enter a valid IPv6 address. NOTE: One unicast server can be configured for an address type.
domain-name		Enter to configure the domain name for the unicast server.

Parameter	Type	Description
< dns_host_name >		Enter a domain name. This value is a string with the maximum size as 255
primary		Enter to configure the unicast server type as primary server.
secondary		Enter to configure the unicast server type as secondary server.
version		Enter to configure the SNTP version.
3	Integer	Enter 3 to configure the SNTP version as 3.
4	Integer	Enter 4 to configure the SNTP version as 4. This is the default.
port		Enter to configure the port identifier for the selected server
<integer (1025-36564) >	Integer	Enter a value for port identifier. This value ranges from 1025 to 36564.

Mode

SNTP Configuration Mode

Examples

```
iS5Comm(config)# sntp
iS5Comm(config-sntp)# set sntp client enabled
iS5Comm(config-sntp)# set sntp client version v3
iS5Comm (config-sntp)# set sntp client addressing-mode unicast
iS5Comm (config-sntp)# set sntp client port 1026
iS5Comm (config-sntp)# set sntp client clock-format hours
iS5Comm (config-sntp)# set sntp client time-zone +05:30
iS5Comm (config-sntp)# set sntp client clock-summer-time First-Sun-Jan,12:12 Second-Sun-Mar,12:12
iS5Comm (config-sntp)# set sntp client authentication-key 123 md5 md5_key
iS5Comm (config-sntp)# set sntp unicast-server auto-discovery enabled
iS5Comm (config-sntp)# set sntp unicast-poll-interval 128
iS5Comm (config-sntp)# set sntp unicast-max-poll-timeout 25
iS5Comm (config-sntp)# set sntp unicast-max-poll-retry 10
iS5Comm (config-sntp)# set sntp unicast-server ipv4 12.0.0.100 Primary version 3 port 1234
iS5Comm (config-sntp)# set sntp broadcast-mode send-request enabled
```

```
iS5Comm (config-sntp)# set sntp broadcast-poll-timeout 30
iS5Comm (config-sntp)# set sntp broadcast-delay-time 2000
iS5Comm (config-sntp)# set sntp multicast-mode send-request enabled
iS5Comm (config-sntp)# set sntp multicast-poll-timeout 10
iS5Comm (config-sntp)# set sntp multicast-delay-time 2000
iS5Comm (config-sntp)# set sntp multicast-group-address ipv4 224.1.1.10
iS5Comm (config-sntp)# set sntp manycast-poll-interval 256
iS5Comm (config-sntp)# set sntp manycast-poll-timeout 10
iS5Comm (config-sntp)# set sntp manycast-poll-retry-count 5
iS5Comm (config-sntp)# set sntp manycast-server multicast ipv4 224.0.0.1
```

9.3. show sntp

To display the status of *SNTP* in broadcast, manycast, multicast, and unicast modes, the *SNTP* status, or show the current time, use the command **show sntp** in Privileged EXEC Mode.

show sntp

```
show sntp {broadcast-mode status | clock | manycast-mode status | multi-
cast-mode status | statistics | status | unicast-mode status}
```

Parameters

Parameter	Type	Description
broadcast-mode		Enter to display information about the broadcast mode.
status		Enter to display information about the broadcast mode.
clock		Enter to display the current time of the SNTP clock
manycast-mode		Enter to display information about the manycast mode.
status		Enter to display information about the manycast mode.
multicast-mode		Enter to display information about the multicast mode.
status		Enter to display information about the multicast mode.
statistics		Enter to display information about the statistics.
status		Enter to display information about the statistics.
unicast-mode		Enter to display information about the unicast mode.
status		Enter to display information about the unicast mode.

Mode

Privileged EXEC Mode

Examples

iS5Comm # show sntp broadcast-mode status

```
send sntp request to server in broadcast mode is disabled
broadcast poll time out value is 5
broadcast delay time value is 8000
broadcast sntp server is 12.0.0.100
```

iS5Comm# show sntp clock

```
current time : Mon Feb 03 2020 18:06:12.000 (UTC +00:00)
```

iS5Comm# show sntp manycast-mode status

```
manycast poll interval value is 64
manycast max poll time out value is 5
manycast max retry time value is 3
manycast server type is broadcast
primary server address is 12.0.0.100
```


iS5Comm# show sntp multicast-mode status

```
send sntp request to server in multicast mode is disabled
multicast poll time out value is 5
multicast delay time value is 8000
multicast group address is 12.0.0.100
```

iS5Comm# show sntp statistics

```
Number of SNTP server-reply Received      : 0
Number of SNTP client-request Transmitted : 0
Number of SNTP Pkt InDiscards             : 0
```

iS5Comm# show sntp status

```
sntp client is disabled
current sntp client version is v4
current sntp client addressing mode is unicast
sntp client port is 123
sntp client clock format is 24 hours
sntp client authentication key id not set
sntp client authentication algorithm is not set
sntp client auth Key is not set
sntp client time zone is +00:00
sntp client dst start time is not set
sntp client dst end time is not set
```

iS5Comm# show sntp unicast-mode status

```
auto discovery of sntp/ntp servers is disabled
unicast poll interval value is 64
unicast max poll time out value is 5
unicast max retry time value is 3
unicast current mode value is NOT RUNNING
```

9.4. debug sntp

To enable tracing in *SNTP* module for all debug levels, use the command **debug sntp** in Privileged EXEC Mode. The no form of the command disables the tracing in *SNTP* module as per the configured debug levels, or if the command is **no debug sntp all**, disables the tracing in *SNTP* module for all debug levels.

debug sntp

```
debug sntp {all | all-fail | buff | control | data-path | init-shut | mgmt | resource}
```

no debug sntp

```
no debug sntp {all | all-fail | buff | control | data-path | init-shut |
mgmt | resource}
```

Parameters

Parameter	Type	Description
all		Enter to specify generating of debug statements for all possible messages.
all-fail		Enter to specify generating of debug statements for all failure traces.
buff		Enter to specify generating of debug statements for SNTP buffer related traces.
control		Enter to specify generating of debug statements for control path traces. This trace is generated during failure in modification or retrieving of SNTP entries.
data-path		Enter to specify generating of debug statements for data path traces. This trace is generated during failure in packet processing.
init-shut		Enter to specify generating of debug statements for init and shutdown traces. This trace is generated on failed initialization and shutting down of SNTP related entries
mgmt		Enter to specify generating debug statements for management traces. This trace is generated during failure in configuration of any of the SNTP features.
resource		Enter to specify generating debug statements for traces for allocation and freeing of all resource except the buffers.

Mode

Privileged EXEC Mode

Default

Debugging is disabled

Examples

```
iS5Comm# debug sntp init-shutl
```

```
iS5Comm# debug sntp all
```

```
iS5Comm# no debug sntp all
```

PTP CLI

10. PTP

The device supports end-to-end and peer-to-peer transparent clocks.

End-to-end (*E2E*) transparent clocks forward *PTP* messages, measure the residence time of *PTP* event message at the transparent clock, and add this residence time to the correction field of the *PTP* messages. Transparent clock timestamps the event messages on ingress and egress port. The difference between these timestamps is the residence time within the transparent clock. End-to-end transparent clocks will not execute port state machine and BMC algorithm to select the state of the port.

End-to-end transparent clocks may be used as a network element, or they may be associated with application devices such as sensors or actuators if an ordinary clock is combined with the end-to-end transparent clock.

Peer-to-peer transparent clock differs from the end-to-end transparent clock in the way it corrects and handles the timing messages. End-to-end transparent clock time stamps all *PTP* timing messages; peer-to-peer transparent clock forwards only Sync and Follow-up messages.

Peer-to-peer transparent clock calculates the residence time of *PTP* messages in peer-to-peer transparent clock, measures the link delay of the ingress port of *PTP* messages, and adds this correction field in the *PTP* messages. Peer-to-peer transparent clock uses Pdelay request-response mechanism to measure the link delay. It uses rate estimation and control mechanism to avoid the residence time error.

The following sections describe all *PTP* CLI configuration commands including show and debug ptp.

10.1. ptp

To enter *PTP* configuration mode which allows the user to execute all commands that support PTP Configuration Mode, use the command **ptp** in Global Configuration Mode.

ptp

```
ptp
  {domain
  {(0-127) | <CR> | power-profile {clear | exit | help | no | ptp
  {mode {e2etransparent | p2ptransparent} | transparent max-ports <id (0-24)>
  | vlan {<id (1-4094)> | priority <id (0-7)>}}
  | profile
  DefaultE2E | DefaultP2P | PowerProfileV2 | Reset | UtilityProfile}
```

```
}
```

Mode

Global Configuration Mode

Parameters

Parameter	Type	Description
domain		Enter to configure a PTP domain related configuration information.
(0-127)	Integer	Enter a value for a PTP Domain ID. The range is from 1 to 127.
<CR>		Enter to create a PTP domain in a virtual context.
power-profile		Enter to select a PTP power profile as per IEEE C37.238-2017.
clear		Enter to clear the PTP power profile.
exit		Enter to exit the PTP power profile.
help		Enter for help on the commands for the PTP power profile.
no		Enter to delete the PTP power profile.
ptp		Enter to select to enable PTP on the PTP power profile.
mode		Enter to select the mode option.
e2etransparent		Enter to select the e2etransparent option which stands for end-to-end mode (E2E). Select it when the time taken for a PTP event message to transit the device is to be measured.
p2ptransparent		Enter to select the p2ptransparent option which stands for peer-to-peer (P2P)transparent mode. Select it when the link delay between two ports implementing link delay is to be measured.
transparent		Enter to select transparent clock.
max-ports		Enter to select the maximum ports option.
id (0-24)		Enter a value for the maximum ports number. The range is from 0 to 24. The maximum and default is 24.
vlan		PTP requests and responses can be sent over a specific VLAN on switch. Enter this option when VLAN configuration is to be implemented on a specific PTP domain.
id (1-4094)		Enter a value for VLAN ID. The range is from 1 to 4094.
priority		Enter to set the VLAN priority option.
id (0-7)		Enter a value for VLAN priority. The range is from 0 to 7.
profile		Enter PTP profile-related configuration option.
DefaultE2E		Enter to select Default End-to-End profile as per IEEE 1588-Annex J.
DefaultP2P		Enter to select Default P2P profile as per IEEE 1588-Annex J.

Parameter	Type	Description
PowerProfileV2		Enter to select C37-238-2017 Profile.
Reset		Enter to reset the profile.
UtilityProfile		Enter to select 61850-9-3:2016 compliant profile.

Examples

To globally enable PTP, type the following.

```
iS5Comm(config)# no shutdown ptp
iS5Comm (config)# ptp profile PowerProfileV2
iS5Comm(config-ptp)# ptp vlan 10
iS5Comm(config-ptp)# ptp vlan priority 4
iS5Comm# show running-config ptp
#Building configuration...
!
!
no shutdown ptp
ptp domain power-profile
ptp vlan 10
ptp vlan priority 4
ptp mode p2ptransparent
!
interface gigabitethernet 0/1
ptp enable
ptp min-pdelay-req-interval 2
!
end
```

Enter the following commands to remove VLAN 10

```
iS5Comm(config)# ptp domain 0
iS5Comm(config)# ptp domain power-profile
iS5Comm(config-ptp)# no ptp vlan 10
or
iS5Comm(config-ptp)# no ptp vlan
```

```
iS5Comm(config-ptp)# no ptp vlan priority
```

10.2. ptp (interfaces)

To enter *PTP* configuration mode which allows the user to execute all commands that support PTP Configuration Mode at the interfaces, use the command **ptp**.

ptp

```
ptp {enable | min-pdelay-req-interval <exponent-Of-2-seconds (0-5)> |  
port-statistics-cnt-reset}
```

Mode

Interface Configuration Mode

Parameters

Parameter	Type	Description
enable		Enable PTP on a given interface
min-pdelay-req-interval		Configure the minimum pdelay request interval. This parameter is followed by a value in the range of 0-5. It represents the delay interval calculated from the equation 2^X in seconds.
exponent-Of-2-seconds (0-5)		Enter a value in the range of 0-5.
port-statistics-cnt-reset		This command reset the statistics (counters) for the port.

Examples

```
iS5Comm (config)# int gigabitethernet 0/1  
iS5Comm (config-if)# ptp enable  
iS5Comm (config-if)# ptp port-statistics-cnt-reset
```

10.3. show ptp

To display the status of *PTP*, use the command **show ptp** in Privileged EXEC Mode.

show ptp

```
show ptp {clock | counters | global info | null-management | port | profile
| transparent max-ports}
```

Parameters

Parameter	Type	Description
clock		Enter this option for PTP clock related Information.
counters		Enter this option for PTP Port counter related Information.
global		Enter this option for PTP related global Information.
info		Enter this option for PTP global Information.
null-management		Enter this option for Management type.
port		Enter this option for PTP port properties Information. Specific ports or all port properties can be displayed.
profile		Enter this option for PTP profile related Information
transparent		Enter this option for transparent clock
max-ports		Enter this option for maximum ports supported in transparentclock.

Mode

Privileged EXEC Mode

Examples

iS5Comm# show ptp clock

```
PTP Clock Information
-----Clock Identity           :
e8:e8:75:ff:fe:90:5f:82
Clock Context                   : 0
Clock Domain                   : 254
Primary Domain                 : 254
Clock Mode                     : Transparent
Type Of Clock                  : One Step
Delay Mechanism                : Peer to Peer
Number of PTP ports            : 0
Number of max PTP TS ports    : 24
```

iS5Comm# show ptp counters

PTP Interface Counters

```

-----
Interface gigabitethernet 0/1: Number of modified Egress packet with
updated correction field:
Number of dropped Egress packets: 0
Number of saved time stamp Ingress packet: 0
Number of dropped Ingress packets: 0
Number of dropped Ingress packets (VLAN mismatch): 0
Number of dropped Egress packets (VLAN mismatch): 0
Number of dropped packets (Domain Mismatch) : 0
Number of received Sync packets: 0
Number of transmitted Sync packets: 0
Number of received Peer delay request packets: 0
Number of transmitted Peer delay request packets: 0
Number of received Peer delay response packets: 0
Number of transmitted Peer delay response packets: 0
Number of received Peer delay response Follow Up packets: 0
Number of transmitted Peer delay response Follow Up packets: 0

```

iS5Comm# show ptp global info

PTP System Status

```

-----
Global Status      : Enabled
Network Protocol   : IEEE 802.3
Domain             : 254
VlanId             : 10
Priority           : 4

```

iS5Comm# show ptp null-management

```

Getting PTP Null Management DONE
Setting PTP Null Management DONE
Applying PTP Null Management DONE

```

iS5Comm# show ptp port gigabitethernet 0/1

PTP Transparent Port Properties

```

-----
Record # 1      Interface      : Gi0/1      Faulty Flag
: 0      LogMinPdelayReqInterval: 2 (4 sec)      Status
: ENABLED      Clock Identity      : e8:e8:75:ff:fe:90:5f:82
Peer Mean Path Delay : 0 nsec      Clock type      : P2P
TRANSPARENT      PhysicalAddress      : not specified      SW
revision      : V2

```

iS5Comm# show ptp profile

```
PTP Profile
```

```
-----
```

```
Profile Name           : PowerProfileV2 (C37.238-2017)
Profile ID             : 1c:12:9d:00:00:00
Default Domain Number : 254
VlanId                 : 10
Priority                : 4
Default Min pDelay Request Interval : 0
Default Delay Mechanism : Peer-to-Peer
```

```
iS5Comm# show ptp transparent max-ports
```

```
PTP TS max port number: 24
```

10.4. debug ptp

To enable tracing in *PTP* module for all debug levels, use the command **debug ptp all** in Privileged EXEC Mode. The no form of the command disables the tracing in *PTP* module as per the configured debug levels, or if the command is **no debug ptp all**, disables the tracing in *PTP* module for all debug levels.

debug ptp

```
debug ptp {all | critical | port}
```

no debug ptp

```
no debug ptp {all | critical | port}
```

Parameters

Parameter	Type	Description
all		All trace messages.
critical		Critical trace messages.
port		Port specific trace messages.

Mode

Privileged EXEC Mode

Default

Debugging is disabled

Examples

iS5Comm # debug ptp all

iS5Comm# no debug ptp all

SNMPv3

11. SNMPv3

SNMP (Simple Network Management Protocol) is the most widely-used network management protocol on TCP/IP-based networks.

SNMPv3 is designed mainly to overcome the security shortcomings of *SNMP* v1/v2. *USM* (User based Security Model) and *VACM* (View based Access Control Model) are the main features added as part of the SNMPv3 specification. *USM* provides both encryption and authentication of the *SNMP* PDUs (protocol data units), while *VACM* specifies a mechanism for defining access policies for different users with different *MIB* trees.

Also, SNMPv3 specifies a generic management framework, which is expandable for adding new Management Engines, Security Models, Access Control Models and so on. With SNMPv3, the *SNMP* communication is completely safe and secure. SNMPv3 is a multilingual agent supporting all three versions of *SNMP* (SNMPv1, SNMPv2c and SNMPv3) while conforming to the latest specifications. It is available as a portable source code product, which can be easily integrated to any platform (any OS and any Processor).

MIB integration is made simple with the aid of a tool called Middle Level Code Generator (MIDGEN), which is available along with *SNMP* and generates the interface stubs required for every object in the *MIB* for the SET, GET and GETNEXT operations. These stubs can be implemented by the respective modules supporting the *MIB*.

SNMP is provided as source code available for licensing to OEMs and VARs who wish to incorporate the multi-lingual *SNMP* functionality into their products.

11.1. Supported MIBs

This document details the MIBs which are supported by the switch.

The following MIBs are supported.

Table 1: (Sheet 1 of 23)

MIB File	Description
alarm.mib	This MIB contains scalar and vector quantities to set and display alarms. MODULE-IDENTITY: alarmMIB

Table 1: (Continued) (Sheet 2 of 23)

MIB File	Description
cybsec.mib	<p>The MIB module that describes managed objects of general use by the IPSEC Protocol.</p> <p>MODULE-IDENTITY: cybsec</p>
cybsecnat.mib	<p>This group contains all the scalar objects and tables that are need for configuring FutureNAT. All the scalar objects are listed under the table natStatInfo.</p> <p>MODULE-IDENTITY: cybSecNatMIB</p>
DIFFSERV-DSCP-TC	<p>The Textual Conventions defined in this module should be used whenever a Differentiated Services Code Point is used in a MIB.</p> <p>MODULE-IDENTITY: diffServDSCPTC</p>
fsarp.mib	<p>This file contains MIB definitions for ARP module.</p> <p>MODULE-IDENTITY: fsarp</p>
fsbgp4.mib	<p>The Proprietary BGP MIB.</p> <p>MODULE-IDENTITY: fsbgp</p>
fscfa.mib	<p>The revised version of the MIB for CFArelease 1.2.0.0.</p> <p>MODULE-IDENTITY: fscfa</p>
fsclkiwf.mib	<p>This file explains the proprietary MIB implemented for Clocklwf Module.</p> <p>MODULE-IDENTITY: fsClkIwfMIB</p>
fsdhclient.mib	<p>The DHCP Client MIB</p> <p>MODULE-IDENTITY: futureDhcpClientMIB</p>

Table 1: (Continued) (Sheet 3 of 23)

MIB File	Description
fsdhcnsp.mib	<p>This MIB contains scalars and tables used to configure a switch running L2 DHCP SNOOPING.</p> <p>MODULE-IDENTITY: fsdhcpsnp</p>
fsdhcrelay.mib	<p>The DHCP Relay agent MIB.</p> <p>MODULE-IDENTITY: futureDhcpRelay</p>
fsdhcsrv.mib	<p>The DHCP Server MIB.</p> <p>MODULE-IDENTITY: futureDhcpSrvMIB</p>
fsdot1ad.mib	<p>802.1ad MIB definitions</p> <p>MODULE-IDENTITY: dot1adMIB</p>
fsfwl.mib	<p>The MIB module to describe the Firewall.</p> <p>MODULE-IDENTITY: firewall</p>
fshttp.mib	<p>The MIB module for management of HTTP Routers Initial Version.</p> <p>MODULE-IDENTITY: fsHttpMIB</p>
fsigmp.mib	<p>This file contains MIB definitions for IGMP product.</p> <p>MODULE-IDENTITY: fsigmpMIB</p>
fsigp.mib	<p>The proprietary MIB module for IGMP Proxy.</p> <p>MODULE-IDENTITY: fsigmpproxy</p>
fsip.mib	<p>This mib module is for IP module.</p> <p>MODULE-IDENTITY: futureip</p>

Table 1: (Continued) (Sheet 4 of 23)

MIB File	Description
fsipdb.mib	<p>This file contains MIB definitions for IPBD module.</p> <p>MODULE-IDENTITY: fsipdb</p>
fsipvx.mib	<p>This file contains MIB definitions for IPVX module.</p> <p>MODULE-IDENTITY: fsipvxMIB</p>
fsiss.mib	<p>MIB for the products top level system manager application, ISS or Intelligent Switch Solution.</p> <p>MODULE-IDENTITY: iss</p>
fsissacl.mib	<p>This file contains MIB definitions for ISS module.</p> <p>MODULE-IDENTITY: issAcl</p>
fsissex.mib	<p>Differentiated Services module support extensions.</p> <p>MODULE-IDENTITY: issExt</p>
fsla.mib	<p>The proprietary MIB module for LA.</p> <p>MODULE-IDENTITY: fsla</p>
fslldp.mib	<p>The proprietary MIB module for LLDP.</p> <p>MODULE-IDENTITY: fslldp</p>
fslldpmed.mib	<p>LLDP MED Proprietary MIB Definition.</p> <p>MODULE-IDENTITY: fsLldpMed</p>
fsmgmd.mib	<p>MODULE-IDENTITY: fsmgmd</p>

Table 1: (Continued) (Sheet 5 of 23)

MIB File	Description
fsmidhcsnp.mib	This MIB contains tables used to configure a switch running MI L2 DHCP SNOOPING. MODULE-IDENTITY: fsMIDhcpSnp
fsmidr.mib	The Dhcp MI Relay agent MIB MODULE-IDENTITY: futureMIDhcpRelay
fsmiipdb.mib	Multiple Instance support for IP binding database module. MODULE-IDENTITY: fsMIipdb
fsmiospf.mib	The Proprietary OSPFMI MIB MODULE-IDENTITY: fsMIOspf
fsmirip.mib	The Proprietary RIP MI MIB MODULE-IDENTITY: fsMIRip
fsmidhcsnp.mib	This mib module is for Proprietary Multiple Instance DHCP Snooping MIB
fsmidr.mib	The DHCP MI Relay agent MIB
fsmiospf.mib	The Proprietary OSPFMI MIB
fsmirip.mib	The Proprietary RIP MI MIB
fsmirtm.mib	This MIB module is for Route redistribution support provided by Route Table Manager with Virtual Context support (Virtual routing and forwarding support) MODULE-IDENTITY: fsMIRtm
fsmistdospf.mib	The Proprietary OSPFMI MIB modified from STDOSPF MIB MODULE-IDENTITY: fsMIStdOspf

Table 1: (Continued) (Sheet 6 of 23)

MIB File	Description
fsmistdrip.mib	<p>Changed the standard MIB for MI support</p> <p>MODULE-IDENTITY: fsMIStdRip</p>
fsmld.mib	<p>The MIB module for MLD Management.</p> <p>MODULE-IDENTITY: futuremld</p>
fsmparp.mib	<p>The proprietary MIB module for ARP. The MIB provides objects for configuring arp functionality.</p> <p>MODULE-IDENTITY: fsMiArp</p>
fsmpbgp4.mib	<p>The Proprietary BGP MIB Created for MI support.</p> <p>MODULE-IDENTITY: fsMIBgp</p>
fsmprbst.mib	<p>Proprietary MIB for C-VLAN component Rapid Spanning Tree Protocol in Provider Bridges.</p> <p>MODULE-IDENTITY: futureMIPbRstMIB</p>
fsmpip.mib	<p>This mib module is for IP module with virtual routing and forwarding support.</p> <p>MODULE-IDENTITY: fsMIFslp</p>
fsmpipvx.mib	<p>This mib module is for IP module with virtual routing and forwarding support.</p> <p>MODULE-IDENTITY: fsMIFslpvx</p>
fsmpmst.mib	<p>This MIB module is for Proprietary Multiple Instance MSTP MIB</p> <p>MODULE-IDENTITY: futureMIMstMIB</p>

Table 1: (Continued) (Sheet 7 of 23)

MIB File	Description
fsmpping.mib	<p>This mib module is for Ping with virtual routing support.</p> <p>MODULE-IDENTITY: fsMIPingMIB</p>
fsmppvrst.mib	<p>MIB for Multiple Instance Per-VLAN Rapid Spanning Tree.</p> <p>MODULE-IDENTITY: futureMIPvrstMIB</p>
fsmprst.mib	<p>MIB for Multiple Instance Rapid Spanning Tree Algorithm & Protocol</p> <p>MODULE-IDENTITY: futureMIRstMIB</p>
fsmptcp.mib	<p>This mib module is for managing TCP module with virtual routing and forwarding support.</p> <p>MODULE-IDENTITY: fsMITcp</p>
fsmplvlan.mib	<p>This mib module is for Proprietary Multiple Instance VLAN mib.</p> <p>MODULE-IDENTITY: futureMIVlanMIB</p>
fsmsbext.mib	<p>This file contains MIB definitions for P-BRIDGE.</p> <p>MODULE-IDENTITY: fsPBridgeMIB</p>
fsmsbrg.mib	<p>This file contains MIB definitions for Q-BRIDGE.</p> <p>MODULE-IDENTITY: fsDot1dBridge</p>
fsmsipvx.mib	<p>The MIB is the standard IPVX mib with virtual routing and forwarding support.</p> <p>MODULE-IDENTITY: fsMIStdIp</p>

Table 1: (Continued) (Sheet 8 of 23)

MIB File	Description
fsmrst.mib	<p>The Bridge MIB Extension module for managing devices that support the multiple instance Rapid Spanning Tree Protocol defined by IEEE 802.1w.</p> <p>MODULE-IDENTITY: fsRstpMIB</p>
fsmst.mib	MODULE-IDENTITY: futureMstMIB
fsmsttcpipvx.mib	MODULE-IDENTITY: fsMIStdTcplpvx
fsmstudpipvx.mib	<p>The MIB module for managing UDP implementations. This version of this MIB module is part of RFC 411</p> <p>MODULE-IDENTITY: fsMIUdpMIB</p>
fmsvlan.mib	<p>The VLAN Bridge MIB module for managing Virtual Bridged Local Area Networks, with multiple instance capability.</p> <p>MODULE-IDENTITY: fsQBridgeMIB</p>
fsosmitest.mib	<p>The Proprietary OSPFMI TEST MIB</p> <p>MODULE-IDENTITY: fsMIOspfTestGroup</p>
fsospf.mib	MODULE-IDENTITY: futospf
fsostest.mib	<p>OSPF test MIB</p> <p>MODULE-IDENTITY: futOspfTestGroup</p>
fspim.mib	<p>This document explains the proprietary MIB implemented for the PIM product.</p> <p>MODULE-IDENTITY: fsPimMIB</p>

Table 1: (Continued) (Sheet 9 of 23)

MIB File	Description
fspimcmn.mib	<p>This document explains the proprietary MIB implemented for the PIM (IPv4/IPv6) product.</p> <p>MODULE-IDENTITY: fsPimCmnMIB</p>
fsnat.mib	<p>The natMIB is placed under futuresoftware MIB branch</p>
fspimstd.mib	<p>The MIB module for management of PIM Routers Initial Version.</p> <p>MODULE-IDENTITY: fsPimStdMIB</p>
fsping.mib	<p>This MIB is for the Ping module</p> <p>MODULE-IDENTITY: fsPingMIB</p>
fspnac.mib	<p>This document explains the proprietary MIB implemented for PNAC product.</p> <p>MODULE-IDENTITY: fspnac</p>
fspoe.mib	<p>This proprietary MIB definition, supplements the standard IEEE802.3af MIB and also provides management of certain proprietary features of POE.</p> <p>MODULE-IDENTITY: fspoe</p>
fsptp.mib	<p>This file is proprietary MIB for PTP (Precision Time Protocol) implementation that confirms to specification IEEE 1588.</p> <p>MODULE-IDENTITY: fsPtpMIB</p>
fspvrst.mib	<p>MODULE-IDENTITY: futurePvrstMIB</p>
fsqosxtd.mib	<p>This MIB defines the objects necessary to manage a device that uses the Differentiated Services.</p> <p>MODULE-IDENTITY: fsQoSMB</p>

Table 1: (Continued) (Sheet 10 of 23)

MIB File	Description
fsradext.mib	MIB for Radius. Extended for Ipv6 Support. MODULE-IDENTITY: futureRADIUSEXTMIB
fsradius.mib	The RADIUS ext. MIB. MODULE-IDENTITY: futureRADIUSMIB
fsrip.mib	MODULE-IDENTITY: fsrip
fsrmap.mib	The proprietary MIB module for RouteMap module. MODULE-IDENTITY: futureroutemap
fsrmon.mib	This MIB module is for managing RMON implementations. Ether Statistics group supports the monitoring of different statistics on Ethernet interfaces, which is enhanced to support statistics per VLAN. The etherStatsDataSource of etherStats table identifies the source of data that is configured to analyze. Now this source can be set to either interface OID or VLAN OID. If configured for interface OID the statisticsCollection is set to be on Interface and if the source is set to VLAN OID the statistics collection is set to be on any of the VLAN configured in the device. MODULE-IDENTITY: futrmon
fsrst.mib	MIB for Rapid Spanning Tree Algorithm & Protocol. MODULE-IDENTITY: futureRstMIB
fssisp.mib	The proprietary MIB module for SISP. SISP functionality is supported only for customer and 802.1ad Provider Bridges. MODULE-IDENTITY: fssisp

Table 1: (Continued) (Sheet 11 of 23)

MIB File	Description
fssnmp3.mib	<p>The MIB module is for managing SNMP Inform message statistics and Agentx-subagent configuration/statistics objects in SNMP Version 3.</p> <p>MODULE-IDENTITY: futuresnmp3</p>
fssnp.mib	<p>This document explains the proprietary MIB implemented for IGMP-SNOOPING and MLD-SNOOPING features.</p> <p>MODULE-IDENTITY: fssnoop</p>
fssntp.mib	<p>This mib module is for Sntp</p> <p>MODULE-IDENTITY: fsSntp</p>
fsssh.mib	<p>The proprietary MIB for SSH.</p> <p>MODULE-IDENTITY: ssh</p>
fsssl.mib	<p>The proprietary MIB for SSL.</p> <p>MODULE-IDENTITY: ssl</p>
fsstdmiostrp.mib	<p>The Proprietary OSPFMI TRAP MIB modified from standard ospf trap MIB</p> <p>MODULE-IDENTITY: fsMIStdOspfTrap</p>
fssyslg.mib	<p>The MIB for Syslog.</p> <p>MODULE-IDENTITY: fsSyslog</p>
fstac.mib	<p>The proprietary MIB module for TAC. The MIB provides objects for configuring admission as well as transmissioncontrol mechanisms.</p> <p>MODULE-IDENTITY: fstac</p>
fstacacs.mib	<p>The TACACS+ Client MIB</p> <p>MODULE-IDENTITY: futureTacacsClientMIB</p>

Table 1: (Continued) (Sheet 12 of 23)

MIB File	Description
fstacsxt.mib	The MIB for ISSAccessControl. MODULE-IDENTITY: futureTacacsClientExtMIB
fstcp.mib	TCP Proprietary MIB. MODULE-IDENTITY: fstcp
fstunl.mib	The MIB module for management of IP (IPv4 and IPv6) Tunnels, independent of the specific encapsulation scheme in use. MODULE-IDENTITY: fsTunlMIB
fsusermgm.mib	MIB for 'Password Authentication Management' MODULE-IDENTITY: fsusrMgmt
fsvcm.mib	The MIB module for the virtual context manager. MODULE-IDENTITY: fsVcmMib
fsvlan.mib	MODULE-IDENTITY: futureVlanMIB
fsvpnpolicy.mib	The MIB module that describes managed objects of general use by the IPSEC Protocol. MODULE-IDENTITY: fsVpnPolicy
fsvrrp.mib	VRRP Proprietary MIB Definition. MODULE-IDENTITY: fsvrrp
fsvrrp3.mib	This MIB module contains managed object definitions for extensions to VRRP version 3 standard characteristics. MODULE-IDENTITY: fsvrrpv3

Table 1: (Continued) (Sheet 13 of 23)

MIB File	Description
HCNUM-TC	<p>A MIB module containing textual conventions for high capacity data types. This module addresses an immediate need for data types not directly supported in the SMIv2. This short-term solution is meant to be deprecated as a long-term solution is deployed.</p> <p>MODULE-IDENTITY: hcnumTC</p>
hsr_prp.mib	<p>HsrPrp Proprietary MIB Definition.</p> <p>MODULE-IDENTITY: hsrPrpMib</p>
IANA-ADDRESS-FAMILY-NUMBERS.mib	<p>The MIB module defines the AddressFamilyNumbers textual convention.</p> <p>MODULE-IDENTITY: ianaAddressFamilyNumbers</p>
IANAifType.mib	<p>This MIB module defines the IANAifType Textual Convention, and thus the enumerated values of the ifType object defined in MIB-II's ifTable.</p> <p>MODULE-IDENTITY: ianaifType</p>
IANA-MAU.mib	<p>This MIB module defines dot3MauType OBJECT-IDENTITIES and IANAifMauListBits, IANAifMauMediaAvailable, IANAifMauAutoNegCapBits, and IANAifJackType</p> <p>MODULE-IDENTITY: ianaMauMIB</p>
IANA-RTPROTO.mib	<p>This MIB module defines the IANAipRouteProtocol and IANAipMRouteProtocol textual conventions for use in MIBs which need to identify unicast or multicast routing mechanisms.</p> <p>MODULE-IDENTITY: ianaRtProtoMIB</p>

Table 1: (Continued) (Sheet 14 of 23)

MIB File	Description
IEC62439-8-MIB.mib	<p>This file is proprietary MIB for PTP Power profile. This is reference from IEC-62439-3-MIB</p> <p>MODULE-IDENTITY: ptpPowerProfileMIB</p>
ifmib.mib	<p>The MIB module to describe generic objects for network interface sub-layers. This MIB is an updated version of MIB-II's ifTable, and incorporates the extensions defined in RFC 1229.</p> <p>MODULE-IDENTITY: ifMIB</p>
INET-ADDRESS.mib	<p>This MIB module defines textual conventions for representing Internet addresses. An Internet address can be an IPv4 address, an IPv6 address, or a DNS domain name. This module also defines textual conventions for Internet port numbers, autonomous system numbers, and the length of an Internet address prefix.</p> <p>MODULE-IDENTITY: inetAddressMIB</p>
INTEGRATED-SERVICES.mib	<p>The MIB module to describe the Integrated Services Protocol.</p> <p>MODULE-IDENTITY: intSrv</p>
mrpring.mib	<p>MRP Ring Proprietary MIB Definition This file explains the proprietary MIB implemented for MRP (Media Redundancy Protocol) that conforms to IEC 62439-2:2016</p> <p>MODULE-IDENTITY: mrpRingMIB</p>
radacc.mib	<p>The MIB module for entities implementing the client side of the Remote Access Dialin User Service (RADIUS) accounting protocol.</p> <p>MODULE-IDENTITY: radiusAccClientMIB</p>

Table 1: (Continued) (Sheet 15 of 23)

MIB File	Description
radauth.mib	The MIB module for entities implementing the client side of the Remote Access Dial-in User Service (RADIUS) authentication protocol. MODULE-IDENTITY: radiusAuthClientMIB
RFC1155-SMI.mib	
RFC-1212.mib	
RFC1213-MIB.mib	
serial_ip.mib	Serial Interface Proprietary MIB Definition MODULE-IDENTITY: serialIp
SNMP-FRAMEWORK.mib	The SNMP Management Architecture MIB MODULE-IDENTITY: snmpFrameworkMIB
SNMPv2-CONF.mib	
SNMPv2-SMI.mib	
SNMPv2-TC.mib	
std1d1ap.mib	The Bridge MIB module for managing devices that support IEEE 802.1D. This MIB module is derived from the IETF BRIDGE-MIB, RFC 4188. MODULE-IDENTITY: ieee8021BridgeMib
std1q1ap.mib	The VLAN Bridge MIB module for managing Virtual Bridged Local Area Networks, as defined by IEEE 802.1Q-2005, including Restricted Vlan Registration defined by IEEE 802.1u-2001 and Vlan Classification defined by IEEE 802.1v-2001. MODULE-IDENTITY: ieee8021QBridgeMib

Table 1: (Continued) (Sheet 16 of 23)

MIB File	Description
std1s1ap.mib	<p>The Bridge MIB modules for managing devices that support IEEE 802.1 multiple spanning tree groups. Unless otherwise indicated, the references in this MIB module are to IEEE 802.1Q-2005 as amended by IEEE 802.1ad, IEEE 802.1ak, IEEE 802.1ag and IEEE 802.1ah.</p> <p>MODULE-IDENTITY: ieee8021MstpMib</p>
std1w1ap.mib	<p>The Spanning-Tree MIB module for managing devices that support IEEE 802.1D. This MIB module is derived from the IETF BRIDGE-MIB, RFC 4188.</p> <p>MODULE-IDENTITY: ieee8021SpanningTreeMib</p>
std8021brg.mib	<p>The Bridge MIB module for managing devices that support IEEE 802.1D. This MIB module is derived from the IETF BRIDGE-MIB, RFC 4188.</p> <p>MODULE-IDENTITY: ieee8021BridgeMib</p>
std8021tc.mib	<p>Textual conventions used throughout the various IEEE 802.1 MIB modules.</p> <p>MODULE-IDENTITY: ieee8021TcMib</p>
stdbgp4.mib	<p>The MIB module for the BGP-4 protocol.</p> <p>MODULE-IDENTITY: bgp</p>

Table 1: (Continued) (Sheet 17 of 23)

MIB File	Description
stdbrgext.mib	<p>The Bridge MIB Extension module for managing Priority and Multicast Filtering, defined by IEEE 802.1D-1998, including Restricted Group Registration defined by IEEE 802.1t-2001.</p> <p>MODULE-IDENTITY: pBridgeMIB</p>
stdbridge.mib	<p>The Bridge MIB module for managing devices that support IEEE 802.1D.</p> <p>MODULE-IDENTITY: dot1dBridge</p>
stddot1ad.mib	<p>Provider Bridge MIB module for managing 802.1ad.</p> <p>MODULE-IDENTITY: ieee8021PbMib</p>
stdent.mib	<p>The MIB module for representing multiple logical entities supported by a single SNMP agent.</p> <p>MODULE-IDENTITY: entityMIB</p>
stdether.mib	<p>The MIB module to describe generic objects for Ethernet-like network interfaces.</p> <p>MODULE-IDENTITY: etherMIB</p>
stdigmp.mib	<p>The MIB module for IGMP Management.</p> <p>MODULE-IDENTITY: igmpStdMIB</p>
stdipvx.mib	<p>The MIB module for managing IP and ICMP implementations, but excluding their management of IP routes.</p> <p>MODULE-IDENTITY: ipMIB</p>

Table 1: (Continued) (Sheet 18 of 23)

MIB File	Description
stdla.mib	<p>The Link Aggregation module for managing IEEE Std 802.3ad.</p> <p>MODULE-IDENTITY: lagMIB</p>
stdlldp.mib	<p>Management Information Base module for LLDP configuration, statistics, local system data and remote systems data components.</p> <p>MODULE-IDENTITY: lldpMIB</p>
stdlldpmedx.mib	<p>The LLDP Management Information Base extension module for TIA-TR41.4 media endpoint discovery information.</p> <p>MODULE-IDENTITY: lldpXMedMIB</p>
stdlldpv2.mib	<p>Management Information Base module for LLDP configuration, statistics, local system data and remote systems data components.</p> <p>MODULE-IDENTITY: lldpV2MIB</p>
stdlldpv2tc.mib	<p>Textual conventions used throughout the IEEE Std 802.1AB version 2 and later MIB modules. Unless otherwise indicated, the references in this MIB module are to IEEE 802.1AB-2009. The TCs in this MIB are taken from the original LLDP-MIB, LLDP-EXT-DOT1-MIB, and LLDP-EXT-DOT3-MIB published in IEEE Std 802-1D-2005, with the addition of TCs to support the management address table. They have been made available as a separate TC MIB module to facilitate referencing from other MIB modules.</p> <p>MODULE-IDENTITY: lldpV2TcMIB</p>

Table 1: (Continued) (Sheet 19 of 23)

MIB File	Description
stdmgmd.mib	<p>The MIB module for MGMD management. A new version of MGMD combining RFC 2933 and RFC 3019. Includes IGMPv3 and MLDv2 source filtering changes.</p> <p>MODULE-IDENTITY: mauMod</p>
stdmri.mib	<p>The MIB module for management of IP Multicast routing, but independent of the specific multicast routing protocol in use.</p> <p>MODULE-IDENTITY: ipMRouteStdMIB</p>
stdospf.mib	<p>The MIB module to describe the OSPF Version 2 Protocol</p> <p>MODULE-IDENTITY: ospf</p>
stdostrp.mib	<p>The MIB module to describe traps for the OSPF Version 2 Protocol.</p> <p>MODULE-IDENTITY: ospfTrap</p>
stdot1lldp.mib	<p>The LLDP Management Information Base extension module for IEEE 802.1 organizationally defined discovery information.</p> <p>MODULE-IDENTITY: lldpXdot1MIB</p>

Table 1: (Continued) (Sheet 20 of 23)

MIB File	Description
stdot1lldpv2.mib	<p>The LLDP Management Information Base extension module for IEEE 802.1 organizationally defined discovery information. In order to assure the uniqueness of the LLDP-V2-MIB, lldpV2Xdot1MIB is branched from lldpV2Extensions using an OUI value as the node. An OUI/'company_id' is a 24 bit globally unique assigned number referenced by various standards.</p> <p>MODULE-IDENTITY: lldpV2Xdot1MIB</p>
stdot3lldp.mib	<p>The LLDP Management Information Base extension module for IEEE 802.3 organizationally defined discovery information.</p> <p>MODULE-IDENTITY: lldpXdot3MIB</p>
stdot3lldpv2.mib	<p>The LLDP Management Information Base extension module for IEEE 802.3 organizationally defined discovery information. In order to assure the uniqueness of the LLDP-MIB, lldpV2Xdot3MIB is branched from lldpV2Extensions using OUI value as the node. An OUI/'company_id' is a 24 bit globally unique assigned number referenced by various standards.</p> <p>MODULE-IDENTITY: lldpV2Xdot3MIB</p>
stdpim.mib	<p>The MIB module for management of PIM routers.</p> <p>MODULE-IDENTITY: pimMIB</p>

Table 1: (Continued) (Sheet 21 of 23)

MIB File	Description
stdpnac.mib	<p>The Port Access Entity module for managing IEEE 802.1X.</p> <p>MODULE-IDENTITY: ieee8021paeMIB</p>
stdpoe.mib	<p>The MIB module for managing Power Source Equipment (PSE) working according to the IEEE 802.af Powered Ethernet (DTE Power via MDI) standard.</p> <p>MODULE-IDENTITY: powerEthernetMIB</p>
stdrip.mib	<p>The MIB module to describe the RIP2 Version 2 Protocol.</p> <p>MODULE-IDENTITY: rip2</p>
stdrmon.mib	<p>Remote network monitoring devices, often called monitors or probes, are instruments that exist for the purpose of managing a network. This MIB defines objects for managing remote network monitoring devices.</p> <p>MODULE-IDENTITY: rmon</p>
stdrmon2.mib	<p>The MIB module for managing remote monitoring device implementations. This MIB module extends the architecture introduced in the original RMON MIB as specified in RFC 2819.</p> <p>MODULE-IDENTITY: rmon</p>
stdrst.mib	<p>The Bridge MIB Extension module for managing devices that support the Rapid Spanning Tree Protocol defined by IEEE 802.1w.</p> <p>MODULE-IDENTITY: rstpMIB</p>

Table 1: (Continued) (Sheet 22 of 23)

MIB File	Description
stdsncom.mib	<p>This MIB module defines objects to help support coexistence between SNMPv1, SNMPv2c, and SNMPv3.</p> <p>MODULE-IDENTITY: snmpCommunityMIB</p>
stdsnmp.mib	<p>The MIB module for SNMP entities.</p> <p>MODULE-IDENTITY: snmpMIB</p>
stdsnnot.mib	<p>This MIB module defines MIB objects which provide mechanisms to remotely configure the parameters used by an SNMP entity for the generation of notifications.</p> <p>MODULE-IDENTITY: snmpNotificationMIB</p>
stdsnproxy.mib	<p>This MIB module defines MIB objects which provide mechanisms to remotely configure the parameters used by a proxy forwarding application.</p> <p>MODULE-IDENTITY: snmpProxyMIB</p>
stdsntgt.mib	<p>This MIB module defines MIB objects which provide mechanisms to remotely configure the parameters used by an SNMP entity for the generation of SNMP messages.</p> <p>MODULE-IDENTITY: snmpTargetMIB</p>
stdsnusm.mib	<p>The management information definitions for the SNMP User-based Security Model.</p> <p>MODULE-IDENTITY: snmpUsmMIB</p>
stdtcpipvx.mib	<p>The MIB module for managing TCP implementations.</p> <p>MODULE-IDENTITY: tcpMIB</p>

Table 1: (Continued) (Sheet 23 of 23)

MIB File	Description
stdudpipvx.mib	The MIB module for managing UDP implementations. MODULE-IDENTITY: udpMIB
stdvacm.mib	The management information definitions for the View-based Access Control Model for SNMP. MODULE-IDENTITY: snmpVacmMIB
stdvlan.mib	The VLAN Bridge MIB module for managing Virtual Bridged Local Area Networks, as defined by IEEE 802.1Q-2003, including Restricted Vlan Registration defined by IEEE 802.1u-2001 and Vlan Classification defined by IEEE 802.1v-2001. MODULE-IDENTITY: qBridgeMIB
stdvrrp.mib	This MIB describes objects used for managing Virtual Router Redundancy Protocol (VRRP) routers. MODULE-IDENTITY: vrrpMIB
stdvrrp3.mib	This MIB describes objects used for managing Virtual Router Redundancy Protocol version 3 (VRRPv3). MODULE-IDENTITY: vrrpv3MIB
tokenring.mib	Remote network monitoring devices, often called monitors or probes, are instruments that exist for the purpose of managing a network. This MIB defines objects for managing remote network monitoring devices MODULE-IDENTITY: tokenRing

11.2. SNMP Traps

This section describes the *SNMP* traps used on the switch.

Introduction

The switch supports a number of traps that indicate alarm or condition changes on the device. This section will list out those traps and describe how they are generated.

General SNMP configuration for TRAP Generation

The following is applicable for all traps.

```
iS5Comm# configure terminal
iS5Comm(config)# enable SnmpAgent
iS5Comm(config)# snmp user snmpv3 auth md5 AUTHPASSWD
iS5Comm(config)# snmp community index index3 name testv3 security snmpv3
iS5Comm(config)# snmp group testv3 user snmpv3 security-model v3
nonvolatile
iS5Comm(config)# snmp access testv3 v3 auth read iso write iso notify iso
iS5Comm(config)# snmp targetaddr ht8 param pa8 5.0.0.5 taglist tg8
iS5Comm(config)# snmp targetparams pa8 user snmpv3 security-model v3 auth
message-processing v3
iS5Comm(config)# snmp notify testv3 tag tg8 type Trap
```

NOTE: *Commands to enable the alarm traps*

```
iS5Comm(config)# alarm config-type switch relay enable
iS5Comm(config)# alarm config-type switch LED enable
iS5Comm(config)# alarm config-type chassis relay enable
iS5Comm(config)# alarm config-type chassis LED enable
iS5Comm(config)# alarm config-type protocol relay enable
iS5Comm(config)# alarm config-type protocol LED enable
iS5Comm(config)# alarm config-type service relay enable
iS5Comm(config)# alarm config-type service LED enable
```

NOTE: *Commands to enable the authentication failure trap*

```
iS5Comm(config)# snmp engineId 80.00.08.1c.04.46.54
iS5Comm(config)# snmp user proxyuser1
iS5Comm(config)# snmp group proxygroup user proxyuser1 security-model v2c
iS5Comm(config)# snmp access proxygroup v2c read getview write getview
iS5Comm(config)# snmp view getview 1 mask 1 included volatile
iS5Comm(config)# snmp community index COMM2 name COMM2 security proxyuser1
contextengineid 80.00.08.1c.04.46.54
iS5Comm(config)# exit
```

iS5Comm#

NOTE: IP address 5.0.0.5, as used above, is the IP through which the SNMP manager could be reached. This IP address is being used as an example only.

Line Module Trap

A line module TRAP will be generated, whenever a line module is inserted or removed. Below are the corresponding MIB IDs that would be mentioned in the generated TRAP.

- lineModuleNo - 1.3.6.1.4.1.41094.0.250.27.3.6
- lmInsertStatus - 1.3.6.1.4.1.41094.0.250.27.3.7

Steps to Generate the Line Module Trap

- 1) To generate TRAP for Line Module Removal Event, remove a line module.
- 2) To generate TRAP for Line Module Insertion Even, insert the removed line module.

Packet Capture

- **1.3.6.1.2.1.1.3.0:** 16600 ---> sysUpTime
 - Object Name: 1.3.6.1.2.1.1.3.0 (iso.3.6.1.2.1.1.3.0)
 - Value (Timeticks): 16600 ---> Total System UP Time in ticks
- **1.3.6.1.6.3.1.1.4.1.0:** 1.3.6.1.4.1.41094.0.250.27.3.6 (iso.3.6.1.4.1.41094.0.250.27.3.6)
 - Object Name: 1.3.6.1.6.3.1.1.4.1.0 (iso.3.6.1.6.3.1.1.4.1.0) --> snmpTrap OID
 - Value (OID): 1.3.6.1.4.1.41094.0.250.27.3.6 (iso.3.6.1.4.1.41094.0.250.27.3.6) -> Line module trap OID
- **1.3.6.1.4.1.41094.0.250.27.3.6:** ---> Line module Trap OID
 - Object Name: 1.3.6.1.4.1.41094.0.250.27.3.6 (iso.3.6.1.4.1.41094.0.250.27.3.6)
 - Value (Integer32): 1 -> Line module ID
- **1.3.6.1.4.1.41094.0.250.27.3.7:** --> Line module connect Status
 - Object Name: 1.3.6.1.4.1.41094.0.250.27.3.7 (iso.3.6.1.4.1.41094.0.250.27.3.7)
 - Value (Integer32): 2 ---> Connect Status as UP (1) or DOWN (2)
- **1.3.6.1.6.3.1.1.4.3.0:** 1.3.6.1.2.1.11 (iso.3.6.1.2.1.11) --> snmpTrapEnterprise
 - Object Name: 1.3.6.1.6.3.1.1.4.3.0 (iso.3.6.1.6.3.1.1.4.3.0)
 - Value (OID): 1.3.6.1.2.1.11 (iso.3.6.1.2.1.11) ---> snmp OID

Warm Start

The Warm Start TRAP will be generated, when “reload” command is issued. Below is the corresponding MIB ID that would be mentioned, with the TRAP generated.

- issWarmStart - 1.3.6.1.4.1.41094.0.250.2.120.11

Steps to generate the Warm Start trap

- 1) Execute “reload” command

Packet Capture

- **1.3.6.1.2.1.1.3.0:** 54887 ---> sysUpTime
 - Object Name: 1.3.6.1.2.1.1.3.0 (iso.3.6.1.2.1.1.3.0)
 - Value (Timeticks): 54887 ---> Total System UP Time in ticks
- **1.3.6.1.6.3.1.1.4.1.0:** 1.3.6.1.4.1.41094.0.250.2.120.11 (iso.3.6.1.4.1.41094.0.250.2.120.11)
 - Object Name: 1.3.6.1.6.3.1.1.4.1.0 (iso.3.6.1.6.3.1.1.4.1.0) --> snmpTrap OID
 - Value (OID): 1.3.6.1.4.1.41094.0.250.2.120.11 (iso.3.6.1.4.1.41094.0.250.2.120.11) --> Warm start MIB OID
- **1.3.6.1.4.1.41094.0.250.2.120.11:** --> Warm start MIB OID
 - Object Name: 1.3.6.1.4.1.41094.0.250.2.120.11 (iso.3.6.1.4.1.41094.0.250.2.120.11)
 - Value (Integer32): 1
- **1.3.6.1.6.3.1.1.4.3.0:** 1.3.6.1.2.1.11 (iso.3.6.1.2.1.11) --> snmpTrapEnterprise
 - Object Name: 1.3.6.1.6.3.1.1.4.3.0 (iso.3.6.1.6.3.1.1.4.3.0)
 - Value (OID): 1.3.6.1.2.1.11 (iso.3.6.1.2.1.11) ---> snmp OID

Alarm Trap

An Alarm TRAP will be generated, whenever any kind of alarm is generated. Here we validated the alarm module trap, with alarm generation for LINK UP and LINK DOWN event. Below are the corresponding MIB IDs that would be mentioned, with the TRAP generated.

- alarmTraps - 1.3.6.1.4.1.41094.0.250.258.3.1
- alarmId - 1.3.6.1.4.1.41094.0.250.258.2.1.1.2
- alarmDesc - 1.3.6.1.4.1.41094.0.250.258.2.1.1.4
- alarmTimeStr - 1.3.6.1.4.1.41094.0.250.258.2.1.1.5
- alarmPriority - 1.3.6.1.4.1.41094.0.250.258.2.1.1.6
- alarmGenModule - 1.3.6.1.4.1.41094.0.250.258.2.1.1.7

Steps to generate the Alarm trap

- 1) Bring up an interface to generate the LINK UP event
- 2) Bring down an interface to generate the LINK DOWN event

Packet Capture

- **1.3.6.1.2.1.1.3.0:** 43567 ---> sysUpTime
 - Object Name: 1.3.6.1.2.1.1.3.0 (iso.3.6.1.2.1.1.3.0)
 - Value (Timeticks): 43567 ---> Total System UP Time in ticks
- **1.3.6.1.6.3.1.1.4.1.0:** 1.3.6.1.4.1.41094.0.250.258.3.1 (iso.3.6.1.4.1.41094.0.250.258.3.1)
 - Object Name: 1.3.6.1.6.3.1.1.4.1.0 (iso.3.6.1.6.3.1.1.4.1.0) --> snmpTrap OID

- Value (OID): 1.3.6.1.4.1.41094.0.250.258.3.1 (iso.3.6.1.4.1.41094.0.250.258.3.1) -> alarm-Traps MIB OID
- **1.3.6.1.4.1.41094.0.250.258.2.1.1.2:** --> alarmId
 - Object Name: 1.3.6.1.4.1.41094.0.250.258.2.1.1.2 (iso.3.6.1.4.1.41094.0.250.258.2.1.1.2)
 - Value (Integer32): 3000
- **1.3.6.1.4.1.41094.0.250.258.2.1.1.4:**4769302f3920496e74657266616365204c696e6b20537461...
 - Object Name: 1.3.6.1.4.1.41094.0.250.258.2.1.1.4 (iso.3.6.1.4.1.41094.0.250.258.2.1.1.4) ---> alarmDesc
 - Value (OctetString): 4769302f3920496e74657266616365204c696e6b20537461...
- **1.3.6.1.4.1.41094.0.250.258.2.1.1.5:** --> alarmTimeStr
4170722f31382f32333a33363a353320000000000000000000
 - Object Name: 1.3.6.1.4.1.41094.0.250.258.2.1.1.5 (iso.3.6.1.4.1.41094.0.250.258.2.1.1.5)
 - Value (OctetString): 4170722f31382f32333a33363a353320000000000000000000
- **1.3.6.1.4.1.41094.0.250.258.2.1.1.6:** --> alarmPriority
 - Object Name: 1.3.6.1.4.1.41094.0.250.258.2.1.1.6 (iso.3.6.1.4.1.41094.0.250.258.2.1.1.6)
 - Value (Integer32): 2
- **1.3.6.1.4.1.41094.0.250.258.2.1.1.7:** --> alarmGenModule
 - Object Name: 1.3.6.1.4.1.41094.0.250.258.2.1.1.7 (iso.3.6.1.4.1.41094.0.250.258.2.1.1.7)
 - Value (Integer32): 2
- **1.3.6.1.6.3.1.1.4.3.0:** 1.3.6.1.2.1.11 (iso.3.6.1.2.1.11) --> snmpTrapEnterprise
 - Object Name: 1.3.6.1.6.3.1.1.4.3.0 (iso.3.6.1.6.3.1.1.4.3.0)
 - Value (OID): 1.3.6.1.2.1.11 (iso.3.6.1.2.1.11) ---> snmp OID

Power Supply Trap

The Power supply TRAP will be generated, whenever a Power module is inserted or removed. Below are the corresponding MIB IDs that would be mentioned, with the TRAP generated.

- issTrapPowerSupply - 1.3.6.1.4.1.41094.0.250.2.120.6
- issPowerSupplyPresence - 1.3.6.1.4.1.41094.0.250.2.121.132
- issPowerSupplyActive - 1.3.6.1.4.1.41094.0.250.2.121.133

Steps to generate the Power Supply trap

- 1) Remove a power module to generate POWER module removal event
- 2) Insert a power module to generate POWER module insertion event

Packet Capture

- **1.3.6.1.2.1.1.3.0:** 129754 ---> sysUpTime
 - Object Name: 1.3.6.1.2.1.1.3.0 (iso.3.6.1.2.1.1.3.0)
 - Value (Timeticks): 129754 ---> Total System UP Time in ticks

- **1.3.6.1.6.3.1.1.4.1.0:** 1.3.6.1.4.1.41094.0.250.2.120.6 (iso.3.6.1.4.1.41094.0.250.2.120.6)
 - Object Name: 1.3.6.1.6.3.1.1.4.1.0 (iso.3.6.1.6.3.1.1.4.1.0) --> snmpTrap OID
 - Value (OID): 1.3.6.1.4.1.41094.0.250.2.120.6 (iso.3.6.1.4.1.41094.0.250.2.120.6) --> issTrap-PowerSupply
- **1.3.6.1.4.1.41094.0.250.2.121.132:** ---> issPowerSupplyPresence
 - Object Name: 1.3.6.1.4.1.41094.0.250.2.121.132 (iso.3.6.1.4.1.41094.0.250.2.121.132)
 - Value (Integer32): 0
- **1.3.6.1.4.1.41094.0.250.2.121.133:** ---> issPowerSupplyActive
 - Object Name: 1.3.6.1.4.1.41094.0.250.2.121.133 (iso.3.6.1.4.1.41094.0.250.2.121.133)
 - Value (Integer32): 0
- **1.3.6.1.6.3.1.1.4.3.0:** 1.3.6.1.2.1.11 (iso.3.6.1.2.1.11) --> snmpTrapEnterprise
 - Object Name: 1.3.6.1.6.3.1.1.4.3.0 (iso.3.6.1.6.3.1.1.4.3.0)
 - Value (OID): 1.3.6.1.2.1.11 (iso.3.6.1.2.1.11) ---> snmp OID

Cold Start Trap

The Cold Start TRAP will be generated, whenever the image is reloaded after doing SNMP configurations for TRAP and “write-startup” is done. Below is the corresponding MIB ID that would be mentioned, with the TRAP generated.

- coldStart - 1.3.6.1.6.3.1.1.5.1

Steps to generate the Cold Start trap

- 1) Execute “reload” command

Packet Capture

- **1.3.6.1.2.1.1.3.0:** 1419 ---> sysUpTime
 - Object Name: 1.3.6.1.2.1.1.3.0 (iso.3.6.1.2.1.1.3.0)
 - Value (Timeticks): 1419 ---> Total System UP Time in ticks
- **1.3.6.1.6.3.1.1.4.1.0:** 1.3.6.1.6.3.1.1.5.1 (iso.3.6.1.6.3.1.1.5.1)
 - Object Name: 1.3.6.1.6.3.1.1.4.1.0 (iso.3.6.1.6.3.1.1.4.1.0) --> snmpTrap OID
 - Value (OID): 1.3.6.1.6.3.1.1.5.1 (iso.3.6.1.6.3.1.1.5.1) ---> coldStart MIB OID
- **1.3.6.1.6.3.1.1.4.3.0:** 1.3.6.1.2.1.11 (iso.3.6.1.2.1.11) --> snmpTrapEnterprise
 - Object Name: 1.3.6.1.6.3.1.1.4.3.0 (iso.3.6.1.6.3.1.1.4.3.0)
 - Value (OID): 1.3.6.1.2.1.11 (iso.3.6.1.2.1.11) ---> snmp OID

Authentication Failure Trap

An Authentication failure TRAP will be generated, whenever the SNMP connectivity cannot be established due to Authentication failures. Below is the corresponding MIB ID that would be mentioned, with the TRAP generated.

- authenticationFailure - 1.3.6.1.6.3.1.1.5.5

Steps to generate the Authentication trap

- 1) Execute below command to enable Authentication trap
 - snmp-server enable traps snmp authentication
- 2) Execute below command from linux, to invoke error in authentication
 - snmpwalk -c COMM1 -v2c 7.0.0.1 iso

NOTE: Here the community name configured is COMM2, but from LINUX, we are trying to authenticate with COMM1, which would cause a authentication failure.

Packet Capture

- **1.3.6.1.2.1.1.3.0:** 1419 ---> sysUpTime
 - Object Name: 1.3.6.1.2.1.1.3.0 (iso.3.6.1.2.1.1.3.0)
 - Value (Timeticks): 1419 ---> Total System UP Time in ticks
- **1.3.6.1.6.3.1.1.4.1.0:** 1.3.6.1.6.3.1.1.5.5 (iso.3.6.1.6.3.1.1.5.5)
 - Object Name: 1.3.6.1.6.3.1.1.4.1.0 (iso.3.6.1.6.3.1.1.4.1.0) --> snmpTrap OID
 - Value (OID): 1.3.6.1.6.3.1.1.5.5 (iso.3.6.1.6.3.1.1.5.5) --> authenticationFailure OID
- **1.3.6.1.6.3.1.1.4.3.0:** 1.3.6.1.2.1.11 (iso.3.6.1.2.1.11) --> snmpTrapEnterprise
 - Object Name: 1.3.6.1.6.3.1.1.4.3.0 (iso.3.6.1.6.3.1.1.4.3.0)
 - Value (OID): 1.3.6.1.2.1.11 (iso.3.6.1.2.1.11) ---> snmp OID

Link UP / DOWN Trap

A LINK UP / LINK DOWN TRAP will be generated, whenever any interface is brought UP or DOWN. Below is the corresponding MIB ID that would be mentioned, with the TRAP generated.

- linkUp - 1.3.6.1.6.3.1.1.5.4
- linkDown - 1.3.6.1.6.3.1.1.5.3
- ifIndex - 1.3.6.1.2.1.2.2.1.1.<ifindex>
- ifAdminStatus - 1.3.6.1.2.1.2.2.1.7.<ifIndex
- ifOperStatus - 1.3.6.1.2.1.2.2.1.8.<ifIndex>

Steps to generate the Link UP/DOWN trap

- 1) Bring DOWN an active interface through command “shutdown”
- 2) Bring UP the same interface through command “no shutdown”

Packet Capture (for link UP)

- **1.3.6.1.2.1.1.3.0:** 136427
 - Object Name: 1.3.6.1.2.1.1.3.0 (iso.3.6.1.2.1.1.3.0)
 - Value (Timeticks): 136427
- **1.3.6.1.6.3.1.1.4.1.0:** 1.3.6.1.6.3.1.1.5.4 (iso.3.6.1.6.3.1.1.5.4)
 - Object Name: 1.3.6.1.6.3.1.1.4.1.0 (iso.3.6.1.6.3.1.1.4.1.0) --> snmpTrap OID

- Value (OID): 1.3.6.1.6.3.1.1.5.4 (iso.3.6.1.6.3.1.1.5.4) --> linkup MIB OID
- **1.3.6.1.2.1.2.2.1.1.9:** --> ifIndex MIB OID
 - Object Name: 1.3.6.1.2.1.2.2.1.1.9 (iso.3.6.1.2.1.2.2.1.1.9)
 - Value (Integer32): 9
- **1.3.6.1.2.1.2.2.1.7.9:** --> ifAdminStatus MIB OID
 - Object Name: 1.3.6.1.2.1.2.2.1.7.9 (iso.3.6.1.2.1.2.2.1.7.9)
 - Value (Integer32): 1
- **1.3.6.1.2.1.2.2.1.8.9:** --> ifOperStatus MIB OID
 - Object Name: 1.3.6.1.2.1.2.2.1.8.9 (iso.3.6.1.2.1.2.2.1.8.9)
 - Value (Integer32): 1
- **1.3.6.1.6.3.1.1.4.3.0:** 1.3.6.1.2.1.11 (iso.3.6.1.2.1.11) --> snmpTrapEnterprise
 - Object Name: 1.3.6.1.6.3.1.1.4.3.0 (iso.3.6.1.6.3.1.1.4.3.0)
 - Value (OID): 1.3.6.1.2.1.11 (iso.3.6.1.2.1.11) ---> snmp OID

Spanning Tree Trap

The Spanning tree topology change trap is generated whenever we shut / no shut a port, change the priority of any bridge to invoke new root selection, new port role selection, etc.

Steps to generate the Spanning Tree trap

- 1) Change spanning priority to invoke New ROOT bridge selection
- 2) Bring DOWN an active interface through command “shutdown”
- 3) Bring UP the same interface through command “no shutdown”

Packet Capture

Below are the MIBs that will be mentioned for different kind of traps from PVRST.

- fsPvrstTopologyChgTrap - 1.3.6.1.4.1.41094.0.250.161.3.0.4
 - fsPvrstBrgAddress - 1.3.6.1.4.1.41094.0.250.161.1.4
 - fsPvrstInstTopChanges - 1.3.6.1.4.1.41094.0.250.161.1.14.1.11
 - fsFuturePvrstTraps - 1.3.6.1.4.1.41094.0.250.161.3
 - fsPvrstNewRootTrap - 1.3.6.1.4.1.41094.0.250.161.3.0.3
 - fsPvrstInstDesignatedRoot - 1.3.6.1.4.1.41094.0.250.161.1.14.1.16
 - fsPvrstNewPortRoleTrap - 1.3.6.1.4.1.41094.0.250.161.3.0.7
 - fsPvrstOldRoleType - 1.3.6.1.4.1.41094.0.250.161.2.5.1.2
 - fsPvrstPortRoleType - 1.3.6.1.4.1.41094.0.250.161.2.5.1.1
- data: sNMPv2-Trap (7)
 - sNMPv2-Trap

- request-id: 1436813334
- error-status: noError (0)
- error-index: 0
- variable-bindings: 5 items

Item #1

- name: 1.3.6.1.2.1.1.3.0 (SNMPv2-MIB::sysUpTime.0)
- valueType: value (0)
 - value: simple (4294967295)
 - value: simple (4294967295)
 - application-wide: timeticks-value (3): timeticks-value: 1120239

Item #2

- name: 1.3.6.1.6.3.1.1.4.1.0 (SNMPv2-MIB::snmpTrapOID.0)
- valueType: value (0)
 - value: simple (4294967295)
 - simple: objectID-value (2): Value: OID: SNMPv2-SMI::enterprises.41094.0.250.161.3.0.4

Item #3

- name: 1.3.6.1.4.1.41094.0.250.161.1.4 (SNMPv2-SMI::enterprises.41094.0.250.161.1.4)
- valueType: value (0)
 - value: simple (4294967295)
 - simple: string-value (1): Value: Hex-STRING: E8 E8 75 90 2B 01

Item #4

- name: 1.3.6.1.4.1.41094.0.250.161.1.14.1.11.1 (SNMPv2-SMI::enterprises.41094.0.250.161.1.14.1.11.1)
- valueType: value (0)
 - value: simple (4294967295)
 - simple: integer-value (0): Value: INTEGER: 6

Item #5

- name: 1.3.6.1.6.3.1.1.4.3.0 (SNMPv2-MIB::snmpTrapEnterprise.0)
- valueType: value (0)
 - value: simple (4294967295)
 - simple: objectID-value (2): Value: OID: SNMPv2-SMI::enterprises.41094.0.250.161.3

Temperature Trap

The temperature trap will be generated whenever the temperature of the hardware exceeds the High threshold limit or falls lesser than the minimum threshold limit. Below is the corresponding MIB ID that would be mentioned, with the TRAP generated.

- issTrapTemperature - 1.3.6.1.4.1.41094.0.250.2.120.4

- issSwitchMinThresholdTemperature - 1.3.6.1.4.1.41094.0.250.2.121.64
- issSwitchMaxThresholdTemperature - 1.3.6.1.4.1.41094.0.250.2.121.65
- issSwitchCurrentTemperature - 1.3.6.1.4.1.41094.0.250.2.121.66

Steps to generate the Temperature trap

- 1) Check the current temperature of the hardware using command “show env all”
- 2) Set the Max temperature threshold limit as lesser than the current temperature, to generate trap, using the below command.

```
set switch temperature max threshold <value>
```

Packet Capture

- data: sNMPv2-Trap (7)
 - sNMPv2-Trap
 - request-id: 1821105562
 - error-status: noError (0)
 - error-index: 0
 - variable-bindings: 5 items

Item #1

- name: 1.3.6.1.2.1.1.3.0 (SNMPv2-MIB::sysUpTime.0)
- valueType: value (0)
 - value: simple (4294967295)
 - value: simple (4294967295)
 - application-wide: timeticks-value (3):timeticks-value: 7814

Item #2

- name: 1.3.6.1.6.3.1.1.4.1.0 (SNMPv2-MIB::snmpTrapOID.0)
- valueType: value (0)
 - value: simple (4294967295): simple: objectID-value (2)
 - Value: OID: SNMPv2-SMI::enterprises.41094.0.250.2.120.4 ---> issTrapTemperature

Item #3

- name: 1.3.6.1.4.1.41094.0.250.2.121.64 (SNMPv2-SMI::enterprises.41094.0.250.2.121.64) ---> issSwitchMinThresholdTemperature
- valueType: value (0)
 - value: simple (4294967295):simple: integer-value (0)
 - Value: INTEGER: -35

Item #4

- name: 1.3.6.1.4.1.41094.0.250.2.121.65 (SNMPv2-SMI::enterprises.41094.0.250.2.121.65) ---> issSwitchMaxThresholdTemperature
- valueType: value (0)
 - value: simple (4294967295):simple: integer-value (0)

- Value: INTEGER: 40

Item #5

- name: 1.3.6.1.4.1.41094.0.250.2.121.66 (SNMPv2-SMI::enterprises.41094.0.250.2.121.66) ---> issSwitchCurrentTemperature
- valueType: value (0)
 - value: simple (4294967295):simple: integer-value (0)
 - Value: INTEGER: 41

Port Security Traps

Item #1

- ifSwitchPortSecRecoveryStatus OBJECT-TYPE
 - SYNTAX INTEGER { automatic(1), manual(2) }
 - MAX-ACCESS read-write
 - STATUS current
 - DESCRIPTION
 - specifies the recovery mode for the ports in the system, when port-violation mode configured with shut-down. The value 1 indicates authomatic, the port will bring-up after the user configured time or the default time. The value 2 indicates manual, The users have to do no shutdown to bring up the port.
 - DEFVAL { manual }
 - ::= { if 37 }

Item #2

- ifSwitchPortSecRecoveryTime OBJECT-TYPE
 - SYNTAX Integer32
 - MAX-ACCESS read-write
 - STATUS current
 - DESCRIPTION
 - The value indicates the the recovery time for a port, from shut-down state that occurred due to a port-security violation, to up-state, upon the mode configured as automatic in ifSwitchPortSecRecoveryStatus
 - DEFVAL { 5 }
 - ::= { if 38 }

Item #3

- dot1qFutureVlanPortUnicastMacLimitStatus OBJECT-TYPE
 - SYNTAX EnabledStatus
 - MAX-ACCESS read-write
 - STATUS current
 - DESCRIPTION

- A truth value indicating the unicast MAC limit learning enabled/disabled status for this port
- DEFVAL { enabled }
- ::= { dot1qFutureVlanPortEntry 17 }

Item #4

- dot1qFutureVlanPortUnicastMacLimit OBJECT-TYPE
 - SYNTAX Unsigned32 (0..3000)
 - MAX-ACCESS read-write
 - STATUS current
 - DESCRIPTION
 - The limiting value on the number of distinct unicast MAC addresses learnt in a VLAN. The lower limit and upper limit value that can be SET for this object is determined by the underlying hardware.
 - ::= { dot1qFutureVlanPortEntry 18 }

Item #5

- dot1qFutureVlanPortSecureStatus OBJECT-TYPE
 - SYNTAX EnabledStatus
 - MAX-ACCESS read-write
 - STATUS current
 - DESCRIPTION
 - A truth value indicating the port-security status enabled/disabled status for this port. When port security is disabled, trusted MAC settings and MAC learn limit settings are not applicable.
 - DEFVAL { disabled }
 - ::= { dot1qFutureVlanPortEntry 19 }

Item #6

- dot1qFutureSwitchPortSecViolationTrap NOTIFICATION-TYPE
 - OBJECTS { dot1qFutureVlanPort }
 - STATUS current
 - DESCRIPTION
 - This trap is generated when Port security is enabled on the port and violation occurred for a configured number of times
 - ::= { dot1qVlanTraps 4 }

Item #7

- MIB for Trap-syslog status configuration
 - dot1qFutureVlanPortSecTrapSyslogStatus OBJECT-TYPE
 - MAX-ACCESS read-write
 - STATUS current

- DESCRIPTION
 - A truth value indicating the trap and syslog status for port-security violation is enabled, and so traps and syslog will be generated when violations occur. When this status for port-security violation is disabled, traps and syslogs will not be sent upon violation.
- DEFVAL { disabled }
- ::= { dot1qFutureVlan 10 }

Item #8

- MIB for Trap, syslog rate configuration
 - dot1qFutureVlanPortSecTrapSyslogRate OBJECT-TYPE
 - SYNTAX Integer32 (1..10)
 - MAX-ACCESS read-write
 - STATUS current
 - DESCRIPTION
 - TrapSyslog rate is the value, for the Max no. of Traps and Syslog that could be sent in a second, with violation events. The range of trap syslog rate could be configured is from 1 to 10
 - ::= { dot1qFutureVlan 11 }

11.3. disable snmpagent

To disable *SNMP* agent, use the command **disable snmpagent** in Global Configuration Mode.

disable

```
disable snmpagent
```

Parameters

Parameter	Type	Description
snmpagent		Enter to disable SNMP agent.

Mode

Global Configuration Mode

Examples

```
iS5Comm (config)# disable snmpagent
```

11.4. enable snmpagent

To enable *SNMP* agent that provides an interface between an *SNMP* manager and a switch, use the command **enable snmpagent** in Global Configuration Mode.

enable

```
enable snmpagent
```

Parameters

Parameter	Type	Description
snmpagent		Enter to enable SNMP agent which provides an interface between a SNMP manager and a switch. The agent processes SNMP packets received from the manager, frames the appropriate response packets, and sends them to the manager. By default, the SNMP agent is enabled.

Mode

Global Configuration Mode

Default

SNMP agent is enabled

Examples

```
iS5Comm (config)# enable snmpagent
```

11.5. show mib

To display the name of the corresponding *MIB* object identifier and the *OID* (Object Identifier) of the corresponding *MIB* object name, use the command **show mib** in Privileged Exec Mode.

show mib

```
show mib {name <name string (32)> | oid <oid string (32)>}
```

Parameters

Parameter	Type	Description
name		Enter to display the MIB object name.
<name string (32)>	String	Enter an MIB object name. This is a string value with maximum size of 32.
oid		Enter to display the MIB object identifier
<oid string (32)>	String	Enter an MIB object identifier. This is a string value with maximum size of 32.

Mode

Privileged Exec Mode

Examples

```
iS5Comm# show mib oid fsbgp4PeerExtTable
```

```
MIB OID for fsbgp4PeerExtTable is 1.3.6.1.4.1.41094.0.250.41.2
```

11.6. show snmp

To display the status information of *SNMP* communications, use the command **show snmp** in Privileged EXEC Mode.

show snmp

```
show snmp [agentx {information | statistics}] [community] [engineid]
[filter] [group [access]] [inform statistics] [mibproxy] [notif] [proxy]
[proxy-udp-port] [targetaddr] [targetparam] [traps] [user] [viewtree]
```

Mode

Privileged EXEC Mode

Examples

```
iS5Comm # show snmp agentx information
```

```
Agentx Subagent is enabled
TransportDomain :TCP
Master IP Address :10.0.0.2
```


Master PortNo :705

iS5Comm# show snmp agentx statistics

```
Tx Statistics
Transmitted Packets      :860
Open PDU                  :1
Index Allocate PDU       :0
Index DeAllocate PDU    :0
Register PDU             :2
Add Agent Capabilities PDU :0
Notify PDU                :0
Ping PDU                  :20
Remove Agent Capabilities PDU :0
UnRegister PDU           :0
Close PDU                 :0
Response PDU             :837
Rx Statistics
Rx Packets                :859
Get PDU                   :1
GetNext PDU               :836
GetBulk PDU               :0
TestSet PDU               :0
Commit PDU                :0
Cleanup PDU               :0
Undo PDU                  :0
Dropped Packets          :0
Parse Drop Errors        :1
Open Fail Errors          :0
Close PDU                 :0
Response PDU             :2
```

iS5Comm# show snmp community

```
Community Index : NETMAN
Community Name  : NETMAN
Security Name   : none
Context Name    :
Context EngineID: 80.00.08.1c.04.46.53
Transport Tag   :
Storage Type    : Nonvolatile
Row Status      : Active
-----
Community Index : PUBLIC
```

```
Community Name   : PUBLIC
Security Name    : none
Context Name     :
Context EngineID: 80.00.08.1c.04.46.53
Transport Tag    :
Storage Type     : Nonvolatile
Row Status       : Active
```

iS5Comm# show snmp filter

```
Filter Name      : filter1
Subtree OID      : 1.5
Subtree Mask     : 1.1
Filter Type      : Included
Storage Type     : Non-volatile
Row Status       : Active
```

iS5Comm# show snmp engineID

```
EngineId: 80.00.08.1c.04.46.53
```

iS5Comm# show snmp group access

```
Group Name       : iso
Read View        : iso
Write View       : iso
Notify View      : iso
Storage Type     : Nonvolatile
Row Status       : Active
```

```
Group Name       : noAuthUser
Read View        : restricted
Write View       : restricted
Notify View      : restricted
Storage Type     : Nonvolatile
Row Status       : Active
```

iS5Comm# show snmp inform statistics

```
Target Address Name : Commanager
IP Address           : 10.0.0.10
Inform messages sent : 20
Acknowledgement awaited for : 2 Inform messages
Inform messages dropped : 0
Acknowledgement failed for : 0 Inform messages
Informs retransmitted: 0
```

Inform responses received: 18

iS5Comm# show snmp mibproxy

```
Prop Proxy Name           : mibproxy1
Prop MibID                 : 1
Prop Proxy TargetParamIn  : param1
Prop Proxy SingleTargetOut : target2
Prop Proxy MultipleTargetOut :
Prop Proxy Type           : Read
Prop Storage Type         : Nonvolatile
Prop Row Status           : Active
```

iS5Comm# show snmp notif

```
Notify Name: Com
Notify Tag: Com
Notify Type: trap
Storage Type: volatile
Row Status: active
```

```
Notify Name: Com1
Notify Tag: Com1
Notify Type: trap
Storage Type: volatile
Row Status: active
```

iS5Comm# show snmp proxy

```
Proxy Name                 : proxy1
Proxy ContextEngineID     : 80.00.08.1c.04.46.53
Proxy ContextName         :
Proxy TargetParamIn       : param2
Proxy SingleTargetOut     : target2
Proxy MultipleTargetOut   :
Proxy Type                 : Write
Storage Type              : Nonvolatile
Row Status                 : Active
```

iS5Comm# show snmp proxy

```
snmp-server proxy-udp-port : 162
```

iS5Comm# show snmp targetaddr

```
Target Address Name : ht231
IP Address           : 12.0.0.100
```

```
Port          : 150
Tag List      : tg231
Parameters    : pa231
Storage Type  : Non-volatile
Row Status    : Active
-----
```

iS5Comm# show snmp targetparam

```
Target Parameter Name : internet
Message Processing Model : v2c
Security Model        : v2c
Security Name         : none
Security Level        : No Authentication, No Privacy
Storage Type          : Nonvolatile
Row Status            : Active
Filter Profile Name   : None
Row Status            : Active
```

iS5Comm# show snmp tcp

```
snmp over tcp disabled
snmp trap over tcp disabled
snmp listen tcp port 161
Snmp listen tcp trap port 162
```

iS5Comm# show snmp traps

```
Currently enabled traps:
```

```
-----
coldstart
```

iS5Comm# show snmp user

```
Engine ID          : 80.00.08.1c.04.46.53
User                : noAuthUser
Authentication Protocol : None
Privacy Protocol    : None
Storage Type        : Nonvolatile
Row Status          : Active
-----
```

iS5Comm# show snmp viewtree

```
View Name      : iso
Subtree OID    : 1
Subtree Mask   : 1
View Type      : Included
Storage Type   : Nonvolatile
```

```

Row Status      : Active
-----
View Name       : restricted
Subtree OID     : 1
Subtree Mask    : 1
View Type       : Included
Storage Type    : Nonvolatile
Row Status      : Active
-----

```

11.7. show snmp-server

To display the proxy UDP port number and the set of traps that are currently enabled, use the command **show snmp-server** in Privileged EXEC Mode.

show snmp-server

```
show snmp-server {proxy-udp-port | traps}
```

Mode

Privileged EXEC Mode

Examples

```

iS5Comm# show snmp-server proxy-udp-port
  snmp-server proxy-udp-port : 162
iS5Comm# show snmp-server traps
  Currently enabled traps:
  -----
  coldstart

```

11.8. snmp

To configure the *SNMP*, use the command **snmp** in Global Configuration Mode. The no form of the command removes the *SNMP* configuration details.

Use the **snmp** command to configure the following:

- access—SNMP group access configuration
- agent—SNMP agent related configuration
- community—SNMP community configuration
- enable — Enables the feature

- engineid — SNMP engine ID configuration
- filter — Filter related Configuration
- filterprofile—SNMP notify filter table configuration
- group—SNMP group related configuration
- mib— Management Information Base related configuration
- mibproxy—SNMP MIB proxy related configuration
- notify— SNMP notification details configuration
- proxy— SNMP proxy related configuration
- targetaddr— SNMP target address configuration
- targetparams — SNMP target parameter related configuration
- trap—Trap related configuration
- user—SNMP user details configuration
- view—SNMP view related configuration

snmp

```
snmp {access <string(32)> {v1 | {v2c | v3 {auth | noauth | priv} [context
<string(32)>] [nonvolatile] [volatile] [notify <string(32)>] [read
<string(32)>] [write <string (32)>]}} | agent port <port number (1-65535)>
| {community index <community index ID (string (32)) name <community name
string> security <string(32)> [context <Name >] [{volatile | nonvolatile}]
[transporttag <TransportTagIdentifier | none>] [contextengineid <Contex-
tEngineID>]
| enable traps {coldstart | snmp authentication}
| engineid <engine ID (string)>
| filter {<filter profile name string (32)> <object Id string> {excluded
[nonvolatile] [volatile] |included [nonvolatile] [volatile] | mask <OID mask
23 (string)> {excluded [nonvolatile] [volatile] |included [nonvolatile]
[volatile]}} | {trap {name <mib OID name(string)> | oid <OID name(string)>
{excluded [nonvolatile] [volatile] |included [nonvolatile] [volatile] | mask
<OID mask 23 (string)>}}
| filterprofile {<filter profile name string (32)> <object Id string>
{excluded [nonvolatile] [volatile] |included [nonvolatile] [volatile] | mask
<OID mask(string)> {excluded [nonvolatile] [volatile] |included [nonvola-
tile] [volatile]}}
| group <Group name string(32)> user <user name string(32)> security-model
{v1 | v2c | v3 [nonvolatile] [volatile]}}
| mib name {<mib Object name (string)> | <proxy id string (32)> [count
<count value (1-100)>] [proxytype {{inform | read | trap | write} mibid <MIB
ID string> targetparamsin <target ID string (32)> targetout <target ID string
(32)> [storagetype {nonvolatile |volatile}] [short] [value <mib object
(string)>]
```

```

| mibproxy name {<mib Object name (string)> | <proxy id string (32)> [count
<count value (1-100)>] [proxytype {{inform | read | trap | write} mibid <MIB
ID string> targetparamsin <target ID string (32)> targetout <target ID string
(32)> [storagetype {nonvolatile | volatile}]}

| notify <notification namestring(32)> tag <tag name string(32)>] type
{Inform | Trap} [nonvolatile] [volatile]

| proxy name <proxy name (string (30))> proxytype {inform | read | trap |
write} contextengineid <contextengine ID> targetparamsin <target ID string
(32)> targetout <target ID string (32)> [contextname <ProxyContextName
(string)>] [storagetype {nonvolatile | volatile}] [contextname <context name
string (32)>]

| targetaddr <target address string (32)> param <SNMP param name string
(32)> {<dns_host_name> | A.B.C.D (<ucast_addr>) | AAAA::BBBB <ipv6_addr>}
[nonvolatile] [port <port number (1-65535)>] [retries <retry count value
(1-3)>] [taglist <tag ID string (255)>] [timeout] <Timeout value (1-1500)>]
[volatile]

| targetparams <SNMP param string (32)> user <user name string (32)> secu-
rity-model {v1 | v2c | v3 {auth | noauth |priv} message-processing {v1 | v2c
| v3 [filterprofile-name <filterprofile-name string (32)> [filter-storage-
type {nonvolatile | volatile}] [nonvolatile [filterprofile-name <filterpro-
file-name string (32)>] [filter-storagetype {nonvolatile | volatile}]]
[volatile [filterprofile-name <filterprofile-name string (32)>]
[filter-storagetype {nonvolatile | volatile}]]]}

| trap {mst | pvst | rst | syslog-server-status}

| user <user name string (32)> [EngineId <EngineId string>] [auth {md5 |
sha | sha256 | sha384 | sha512} <authent_password random_str(8-40)>]
[nonvolatile [EngineId <EngineId string>]] [priv {AESCTR | AESCTR192 | AESC-
TR256 | AES_CFB128 | AES_CFB192 | AES_CFB256 | DES | None | TDES} <authent_-
password random_str(8-40)>] [volatile [EngineId <EngineId string>]]

| view {<view name string (32)> <object Id string> {excluded [nonvolatile]
[volatile] |included [nonvolatile] [volatile] | mask <OID mask (string)>
{excluded [nonvolatile] [volatile] | included [nonvolatile] [volatile]}
}

```

snmp

```

snmp {access | community | enable | engineid | filter | filterprofile |
group | mibproxy | notify | proxy | targetaddr | targetparams | trap | user
| view}

```

Parameters

Parameter	Type	Description
access		Enter to configure the SNMP group access details. To configure an SNMP access along with the group, a group must have already been created using the snmp group command.
<string (32)>	String	Enter a name for the group for which access is to be provided.
v1		Enter to configure the SNMP version as Version 1.
v2c	A.B.C.D	Enter to configure the SNMP version as Version 2. Note that the some of the parameters apply only for v1 and v2C, and not to v1
v3		Enter to configure the SNMP version as Version 3. This is the most secure model as it allows packet encryption with the priv key word
auth	Integer	Enter to enables Message digest (MD5) or Secure Hash Algorithm (SHA) packet authentication.
noauth		Enter to configure no authentication
priv		Enter to configure both authentication and privacy.
context		Enter to configure the name of the SNMP context.
<string (32)>	String	Enter a name of the context. The maximum length of the string is 32.
nonvolatile		Enter to configure the storage type as permanent. The configuration is saved on the system, and during restart, the saved configuration can be viewed.
volatile		Enter to configure the storage type as temporary. During restart of the system, the configuration setting are erased.
notify		Enter to configure the MIB view of the SNMP context to which notification access is authorized by this entry
<string (32)>	String	Enter a notification view identifier. The maximum length of the string is 32.
read		Enter to configure the MIB view of the SNMP context to which read access is authorized by this entry
<string (32)>	String	Enter a read view identifier. The maximum length of the string is 32.
write		Enter to configure the MIB view of the SNMP context to which write access is authorized by this entry

Parameter	Type	Description
<string (32)>	String	Enter a write view identifier. The maximum length of the string is 32.
agent		Enter to configure the agent port on which agent listens
port		Enter to configure an agent port on which agent listens.
<port number (1-65535)>	Integer	Enter a port number. The port number can be from 1 to 65535. The default is 161.
community		Enter to configure the SNMP community details.
index		Enter to configure a community index. The default Community Index - NETMAN/PUBLIC.
<community index ID (string (32))>	String	Enter a community index identifier which stores the index value of the row. This ID must be unique for every community name entry. The maximum length of the string is 32.
name		Enter for community name configuration.
<community name string>	String	Enter a community name string. The default Community name - NETMAN/PUBLIC.
security		Enter to store the security model of the corresponding Snmp community name
<string (32)>	String	Enter a security name. The maximum length of the string is 32. The default Security Name - None.
context		Enter to configure the context in which the management information is accessed when using the community string specified by the corresponding instance of snmp community name
<Name>		Enter a name for the context. The default ContextName - Null.
nonvolatile		Enter to configure the storage type as permanent. The configuration is saved on the system, and during restart, the saved configuration can be viewed. This is default.
volatile		Enter to configure the storage type as temporary. During restart of the system, the configuration setting are erased.
transporttag		Enter to configure a set of transport endpoints from which a command responder application can accept management request
TransportTagIdentifier		Enter a transport ID. The default Transport Tag - Null.
none		Enter for no transport ID.

Parameter	Type	Description
contextengineid		Enter to configure the location of the context through which the management information is accessed when using the community string specified by the corresponding instance of SNMP community name
<ContextEngineID>	A.B.C.D. E.F.G	Enter for context engine ID. The default Context EngineID - 80.00.08.1c.04.46.53.
enable		Enter to enable trap related configuration.
traps		Enter to configure trap related configuration.
coldstart		Enter to configure cold start trap.
snmp		Enter to configure SNMP related configuration.
authentication		Enter for authentication related configuration
engineid		Enter to configure the engine ID that is utilized as a unique identifier of a SNMPv3 engine. This engine ID is used to identify a source SNMPv3 entity and a destination SNMPv3 entity to coordinate the exchange of messages between the source and the destination.
<engine ID (string)>		Enter a engine ID string. The default is 80.00.08.1c.04.46.53. The Engine ID must be given as octets in hexadecimal separated by dots and the allowed length is 5 to 32 octets. NOTE: SNMP engine ID is an administratively unique identifier. Changing the value of the SNMP engine ID has significant effects All user information will be updated automatically to reflect the change
filter		Enter to configure Notify filter Profile entry.
<filter profile name string (32)>	String	Enter a name of the filter profile. This is a string value with a maximum size as 32.
<object Id string>	String	Enter to configure the object Identifier.
excluded		Enter to configure that the family of subtrees defined by the OID and mask is excluded from the filter profile.
included		Enter to configure that the family of subtrees defined by the OID and mask is included in the filter profile.

Parameter	Type	Description
nonvolatile		Enter to configure the storage type as permanent. The configuration is saved on the system, and during restart, the saved configuration can be viewed.
volatile		Enter to configure the storage type as temporary. During restart of the system, the configuration setting are erased
mask		Enter to define a family of subtrees, in combination with the object identifier.
<OID mask 23 (string)>	String	Enter an OID mask string.
trap		Enter for Trap related configuration
name		Enter for Mib object name related configuration
<mib OID name(string)>	String	Enter a Mib object name or object identifier.
oid		Enter for Mib Object Identifier related configuration
<OID name (string)>	String	Enter OID name string.
filterprofile		Enter to configure Notify filter Profile entry
<filter profile name string (32)>	String	Enter a filter profile string.
group		Enter to configure the SNMP group details.
<group name string(32)>	String	Enter a name for an SNMP group.
user		Enter to set an user for the configured group.
<user name string(32)>	String	Enter an user name.
security-model		Enter to set the security model for SNMP
v1		Enter to configure the SNMP version as Version 1.
v2c		Enter to configure the SNMP version as Version 2.
v3		Enter to configure the SNMP version as Version 3. This is the most secure model.

Parameter	Type	Description
nonvolatile		Enter to configure the storage type as permanent. The configuration is saved on the system, and during restart, the saved configuration can be viewed.
volatile		Enter to configure the storage type as temporary. During restart of the system, the configuration setting are erased.
mib		Enter to set the SNMP MIB proxy name configuration.
name		Enter to set the SNMP MIB proxy name configuration.
{<mib Object name (string)>	String	Enter an SNMP MIB proxy name.
<proxy id string (32)>	String	Enter a Locally arbitrary and unique identifier representing name of proxy.
count		Enter to set number of entries.
<count value (1-100)>	Integer	Enter a number of entries.
proxytype		Enter for SNMP proxy message type configuration.
inform		Enter to set that Inform type messages are forwarded using translation parameters
read		Enter to set that Read type messages are forwarded using translation parameters
trap		Enter to set that Trap type messages are forwarded using translation parameters
write		Enter to set that Write type messages are forwarded using translation parameters
mibid		Enter to set MIB ID string.
<MIB ID string>	String	Enter an MIB ID string.
targetparamsin		Enter to denote the row of snmpProxyTable to be used for forwarding received messages.
<target ID string (32)>	String	Enter a target Id string.
targetout		Enter to select management target defined in snmpTargetAddrTable
<target ID string (32)>	String	Enter a target Id string.

Parameter	Type	Description
storagetype		Enter to set storage type
nonvolatile		Enter to configure the storage type as permanent. The configuration is saved on the system, and during restart, the saved configuration can be viewed.
volatile		Enter to configure the storage type as temporary. During restart of the system, the configuration setting are erased.
short		Enter to display the value of MIB object of the given table, including the next object and the values of the MIB objects.
value		Enter for Value to be set for MIB object.
<MIB object string>	String	Enter a string that is to be set to the MIB Object.
mibproxy		Enter to configure the snmp proxy manager such that incoming request is routed to the given proxy address
notify		Enter to configure the SNMP notification details.
<notification namestring (32)>	String	Enter an unique identifier (notification name string) associated with the entry.
tag		Enter to configure a notification tag, which selects the entries in the Target Address Table.
<tag name string(32)>]		Enter a notification tag name.
type		Enter to set the notification type. The list is as follows.
Inform		Enter to Allows routers / switches to send inform requests (notifications) to SNMP managers
Trap		Enter to configure the SNMP notification details.
nonvolatile		Enter to configure the storage type as permanent. The configuration is saved on the system, and during restart, the saved configuration can be viewed.
volatile		Enter to configure the storage type as temporary. During restart of the system, the configuration setting are erased. This is default.
proxy		Enter to configure the proxy. This is a set of translation parameters used by a proxy forwarder application for forwarding SNMP messages
name		Enter to set the SNMP MIB proxy name configuration.

Parameter	Type	Description
<proxy id string (32)>	String	Enter an unique identifier for an entry in the proxy table. This value is a string of maximum size 32
proxytype		Enter for SNMP proxy message type configuration.
inform		Enter to set that Inform type messages are forwarded using translation parameters
read		Enter to set that Read type messages are forwarded using translation parameters
trap		Enter to set that Trap type messages are forwarded using translation parameters
write		Enter to set that Write type messages are forwarded using translation parameters
contextengineid		Enter to configure an context engine ID in messages that is forwarded using the translation parameters defined by the entry
<contextengine ID>	String	Enter a context engine ID.
targetparamsin		Enter to denote the row of snmpProxyTable to be used for forwarding received messages.
<target ID string (32)>	String	Enter a target Id string.
targetout		Enter to select management target defined in snmpTargetAddrTable. NOTE: For Single TargetOut—this is only used when selection of a single target is required (i.e. when forwarding an incoming read or write request). For Multiple Target Out—this is only used when selection of multiple targets is required (i.e. when forwarding an incoming notification).
<target ID string (32)>	String	Enter a target Id string.
contextname		Enter to set storage type
<ProxyContextName (string)>	String	Enter to configure the storage type as permanent. The configuration is saved on the system, and during restart, the saved configuration can be viewed.
storagetype		Enter to set storage type

Parameter	Type	Description
nonvolatile		Enter to configure the storage type as permanent. The configuration is saved on the system, and during restart, the saved configuration can be viewed. This is default.
volatile		Enter to configure the storage type as temporary. During restart of the system, the configuration setting are erased.
targetaddr		Enter to configure the SNMP target address. This is the transport address used in generation of SNMP messages. NOTE: This configuration is effective only if targetparams is configured.
<target address string (32)>	String	Enter an unique identifier of the Target. This value is a string of maximum size 32.
param		Enter to configure the parameters when generating messages to be sent to transport address.
<SNMP param name string (32)>	String	Enter an SNMP param name. This value is a string of maximum size 32.
<dns_host_name>	String	Enter to configure a target Host name to which the generated SNMP notifications are sent. This value is a sting of maximum size 255.
(<ucast_addr>)	A.B.C.D	Enter to configure a unicast target address to which the generated SNMP notifications are sent. The format of the IP address is A.B.C.D
<ipv6_addr>}	AAAA::B BBB	Enter an IP6 target address to which the generated SNMP notifications are sent. The format is AAAA::BBBB.
nonvolatile		Enter to configure the storage type as permanent. The configuration is saved on the system, and during restart, the saved configuration can be viewed.
port		Enter to configure SNMP manager port for sending inform/trapmessages to SNMP manager.
<port number (1-65535)>	Integer	Enter a port number through which the generated SNMP notifications are sent to the target address. The value ranges from 1 to 65535.
retries		Enter to configure the default number of retries to be attempted when a response is not received for a generated message.
<retry count value (1-3)>	Integer	Enter a number for reties. This value ranges from 1 to 3. The default is 3.

Parameter	Type	Description
taglist		Enter to configure the tag identifier that selects the target address for the SNMP.
<tag ID string (255)>	String	Enter a tag identifier. This value is an octet string of maximum size 255. The tag ID can also be set as none using the none option.
timeout		Enter to configure the time for which the SNMP agent waits for a response from the SNMP Manager before retransmitting the Inform Request Message.
<Timeout value (1-1500)>	Integer	Enter a time for which the SNMP agent waits for a response. This value ranges from 1 to 1500 seconds. The default is 1500.
volatile		Enter to configure the storage type as temporary. During restart of the system, the configuration setting are erased.
targetparams		Enter to configure the SNMP group details. NOTE: User information should be configured prior to the configuration of SNMP target parameters. See snmp user.
<SNMP param string (32)>	String	Enter a name for an SNMP group.
user		Enter to set an user for the configured group. The default is UserName - Initial.
<user name string (32)>	String	Enter an user name.
security-model		Enter to set the security model for SNMP. NOTE: SNMP passwords are localized using the local SNMP engine ID.
v1		Enter to configure the SNMP version as Version 1.
v2c		Enter to configure the SNMP version as Version 2.
v3		Enter to configure the SNMP version as Version 3. This is the most secure model.
auth		Enter to enables Message digest (MD5) or Secure Hash Algorithm (SHA) packet authentication. The default Authentication Protocol is None.
noauth		Enter to configure no authentication
priv		Enter to configure both authentication and privacy. The default Privacy Protocol - None.

Parameter	Type	Description
message-processing		Enter to set the SNMP message processing model configuration.
v1		Enter to configure the SNMP version as Version 1.
v2c		Enter to configure the SNMP version as Version 2.
v3		Enter to configure the SNMP version as Version 3. This is the most secure model.
filterprofile-name		Enter to configure the profile name. his value is a string of maximum size 32
<filterprofile-name string (32)>	String	Enter a profile name.
filter-storage-type		Enter to set the required storage type for the filter profile.
nonvolatile		Enter to configure the storage type as permanent. The configuration is saved on the system, and during restart, the saved configuration can be viewed. This is default.
volatile		Enter to configure the storage type as temporary. During restart of the system, the configuration setting are erased.
mst		Enter to mst configuration
pvst		Enter to set Per-VLAN-Rapid Spanning Tree configuration
rst		Enter to set Rapid Spanning Tree configuration
syslog-server-status		Enter to set Syslog Server related configuration
user		Enter to set the SNMP user details.
<user name string (32)>	String	Enter an user name which is the User-based Security Model dependent security ID.
engineid		Enter to configure the engine ID that is utilized as a unique identifier of a SNMPv3 engine. This engine ID is used to identify a source SNMPv3 entity and a destination SNMPv3 entity to coordinate the exchange of messages between the source and the destination
<engine ID (string)>	String	Enter a engine ID string.
auth		Enter to set an authentication Algorithm. Options are as follows

Parameter	Type	Description
md5		Enter to set the Message Digest 5 based authentication.
sha		Enter to set the Security Hash Algorithm based authentication.
sha256		Enter to set the Security Hash Algorithm as SHA 256
sha384		Enter to set the Security Hash Algorithm as SHA 384
sha512		Enter to set the Security Hash Algorithm as SHA 512
<authent_password random_str(8-40) >	String	Enter to set the authentication password that will be used for the configured authentication algorithm.
nonvolatile		Enter to configure the storage type as permanent. The configuration is saved on the system, and during restart, the saved configuration can be viewed.
engineid		Enter to configure the engine ID that is utilized as a unique identifier of a SNMPv3 engine. This engine ID is used to identify a source SNMPv3 entity and a destination SNMPv3 entity to coordinate the exchange of messages between the source and the destination
<engine ID (string)>	String	Enter a engine ID string.
priv		Enter to set the DES encryption and also the password to be used for the encryption key. Options are as follows.
AESCTR		Enter for AES CTR128 related configuration
AESCTR192		Enter for AES CTR192 related configuration
AESCTR256		Enter for AES CTR256 related configuration
AES_CFB128		Enter for AES CFB128 related configuration
AES_CFB192		Enter for AES CFB192 related configuration
AES_CFB256		Enter for AES CFB256 related configuration
DES		Enter for DES encryption configuration
None		Enter for no encryption configuration
TDES		Enter for TDES encryption configuration

Parameter	Type	Description
<authent_password random_str(8-40) >	String	Enter to set the authentication password that will be used for the configured authentication algorithm.
volatile		Enter to configure the storage type as temporary. During restart of the system, the configuration setting are erased.
engineid		Enter to configure the engine ID that is utilized as a unique identifier of a SNMPv3 engine. This engine ID is used to identify a source SNMPv3 entity and a destination SNMPv3 entity to coordinate the exchange of messages between the source and the destination
<engine ID (string)>	String	Enter a engine ID string.
view		Enter to configure the SNMP view.
<view name string (32)>	String	Enter a view name for which the view details are to be configured. This is a string value with maximum size as 32.
<OIDTree>		Enter to specify the sub tree value for the particular view. The default OIDTree is 1.
excluded		Enter to configure that the family of subtrees defined by the OID and mask is excluded from the filter profile.
included		Enter to configure that the family of subtrees defined by the OID and mask is included in the filter profile. This is default.
nonvolatile		Enter to configure the storage type as permanent. The configuration is saved on the system, and during restart, the saved configuration can be viewed. This is the default.
volatile		Enter to configure the storage type as temporary. During restart of the system, the configuration setting are erased
mask		Enter for AES CTR128 related configuration
<OIDMask>	String	Enter to specify the mask value for the particular view. The default OIDMask is 1.

Mode

Global Configuration Mode

Examples

SNMPv3 Configuration

```
iS5Comm (config)# snmp access myv3group v1 read v2readview write v2writeview notify v2notifyview nonvolatile
```

```
iS5Comm (config)# snmp community index myv3com name myv3com security xyz context myinst nonvolatile transporttag myv3tag
```

```
iS5Comm (config)# snmp agent port 100
```

```
iS5Comm (config)# snmp engineid 80.0.08.1c.04.5f.a9
```

```
iS5Comm (config)# snmp proxy name proxy1 proxytype write contextengineid 80.0.08.1c.04.46.53 targetparamsin param2 targetout target2
```

```
iS5Comm (config)# snmp mibproxy name mibproxy1 proxytype read mibid 1 targetparamsin param1 targetout target2 storagetype nonvolatile
```

```
iS5Comm (config)# snmp view v2readview 12.0.0.1 mask 1.1.1.1 included nonvolatile
```

```
iS5Comm (config)# snmp targetaddr ad1 param p1 10.3.21.3 timeout 1 volatile port 2
```

```
iS5Comm (config)# snmp targetparams param1 user user1 security-model v3 noauth message-processing v3
```

```
iS5Comm (config)# snmp user user1
```

```
iS5Comm (config)# snmp notify note1 tag tag1 type Inform
```

```
iS5Comm (config)# snmp filter trap name fsbgp4PeerExtTable
```

```
iS5Comm (config)# snmp filterprofile filter1 1.5 mask 1.1 included nonvolatile
```

SNMP v2 Configuration

```
iS5Comm# configure terminal
```

```
iS5Comm (config)# snmp user testerv2
```

```
iS5Comm (config)# snmp community index public name public security testerv2
```

```
iS5Comm (config)# snmp group groupv2 user testerv2 security-model v2c
```

```
iS5Comm (config)# snmp access groupv2 v2c read iso write iso notify iso
```

```
iS5Comm (config)# snmp view iso 1.1 included
```

```
iS5Comm (config)# snmp targetaddr PC1 param paramlist1 192.168.10.254 taglist taglist1
```

```
iS5Comm (config)# snmp targetparams paramlist1 user testerv2 security-model v2c message-processing v2c
```

```
iS5Comm (config)# snmp notify PUBLIC tag taglist1 type Trap
```

11.9. snmpget mib

To get the value of the *MIB* object through *SNMP* agent, use the command **snmpget mib** in Global Configuration Mode.

snmpget mib

```
snmpget mib {name <name string (32)> | oid <oid string (32)>} [short]
```

Parameters

Parameter	Type	Description
name		Enter to get the MIB object name.
<name string (32)>	String	Enter an MIB object name. This is a string value with maximum size of 32.
oid		Enter to get the MIB object identifier
<oid string (32)>	String	Enter an MIB object identifier. This is a string value with maximum size of 32.
short		Enter to display the value of the MIB object.

Mode

Global Configuration Mode

Examples

```
iS5Comm(config)# snmpget mib name fsbgp4PeerExtConfigurePeer.12.0.0.1 short
```

11.10. snmpgetnext mib

To get the next *MIB* object for the given object, use the command **snmpgetnext mib** in Global Configuration Mode.

snmpgetnext mib

```
snmpgetnext mib {name <value string (32)> | oid <oid string (32)> value <value string (32)>} [short]
```

Parameters

Parameter	Type	Description
name		Enter to get the next MIB object name.
<value string (32)>	String	Enter a value for the next MIB object. This is a string value with maximum size of 32.
oid		Enter to get the next MIB object identifier
<value string (32)>	String	Enter a value for the next MIB object ID. This is a string value with maximum size of 32.
short		Enter to display the value of the MIB object.

Mode

Global Configuration Mode

Examples

```
iS5Comm (config)# snmpgetnext mib name fsbgp4PeerExtTable short
```

11.11. snmp-server

To enable trap related configuration, and configure the *TCP* port, the *UDP* and the proxy *UDP* port over which the agent sends the trap, use the command **snmp-server** in Global Configuration Mode. The **no** form of the command disables generation of authentication traps and a coldstart trap, and configures the *SNMP* agent to send *SNMP* message on default *TCP* port or default *UDP* port.

snmp-server

```
snmp-server {enable traps {coldstart | snmp authentication} | trap
{proxy-udp-port <port number (1-65535)>} | {udp-port <port number
(1-65535)>}}
```

no snmp-server

```
no snmp-server {enable | trap}
```

Parameters

Parameter	Type	Description
enable		Enter to enable trap related configuration.
traps		Enter to configure trap related configuration.
coldstart		Enter to enable generation of a coldstart trap. A coldstart trap signifies that the SNMP entity, supporting a notification originator application, is reinitializing itself and that its configuration may have been altered.
snmp		Enter to enable generation of authentication traps from the SNMP agent (for all SNMPv1, SNMPv2 and SNMPv3)
authentication		Enter for authentication related configuration
trap		Enter to configure the TCP port over which agent sends the trap. TCP traps are not currently supported.
proxy-udp-port		Enter to configure the UDP port over which agent sends the trap to the proxy entity
<port number (1-65535)>	Integer	Enter a value for proxy UDP port number over which agent sends the trap. The format for port number is (1-65535). The default is 162.
udp-port		Enter to specify the context name used during snmp subagent registration process. SNMP subagent is not supported and this option will be removed from a future release.
<port number (1-65535)>	Integer	Enter to configure the UDP port over which agent sends the trap. The format for port number is (1-65535).

Mode

Global Configuration Mode

Default

snmp-server is disabled

Examples

```
i55Comm (config)# snmp-server enable traps snmp authentication
```

```
i55Comm (config)# snmp-server enable traps coldstart
```

```
iS5Comm (config)# snmp-server trap udp-port 1234
```

```
iS5Comm (config)# snmp-server trap proxy-udp-port 162
```

11.12. snmpset mib

To set the value of the *MIB* object through *SNMP* agent, use the command **snmpset mib** in Global Configuration Mode.

snmpset mib

```
snmpset mib {name <name string (32)> value <value string (32)> | oid <oid  
string (32)> value <value string (32)>} [short] [input <input value>]
```


Parameters

Parameter	Type	Description
name		Enter to set the MIB object name.
<name string (32)>	String	Enter an MIB object name. This is a string value with maximum size of 32.
value		Enter set the value for the MIB object.
<value string (32)>	String	Enter a value for the MIB object. This is a string value with maximum size of 32.
oid		Enter to set the MIB object identifier
<oid string (32)>	String	Enter an MIB object identifier. This is a string value with maximum size of 32.
value		Enter set the value for the MIB object.
<value string (32)>	String	Enter a value for the MIB object identifier. This is a string value with maximum size of 32.
short		Enter to display the value of the MIB object.
input		Enter to set the specified data type for the MIB object.
<input value>	String	Enter data type for the MIB object. The data types are <ul style="list-style-type: none"> • i—sets the integer value for the MIB object. • s—sets the string value for the MIB object. • o—sets the Octet string value for the MIB object. • x—sets the hexa string value for the MIB object.

Mode

Global Configuration Mode

Examples

```
iS5Comm (config)# snmpset mib name snmpListenTcpPort.0 value 145 short 1
```

11.13. snmpwalk mib

To get the next *MIB* object for the given object, use the command **snmpwalk mib** in Global Configuration Mode.

snmpwalk mib

```
snmpwalk mib {name <value string (32)> | oid <oid string (32)> value <value
string (32)>} [count <integer(1-100)>] [short]
```

Parameters

Parameter	Type	Description
name		Enter to get the next MIB object name.
<value string (32)>	String	Enter a value for the next MIB object. This is a string value with maximum size of 32.
oid		Enter to get the next MIB object identifier
<value string (32)>	String	Enter a value for the next MIB object ID. This is a string value with maximum size of 32.
count		Enter to set the number of entries to be displayed in the MIB objec
<integer (1-100)>		Enter a number of entries to be displayed in the MIB object. This value ranges from 1 to 100.
short		Enter to display the value of the MIB object.

Mode

Global Configuration Mode

Examples

```
iS5Comm (config)# snmpwalk mib name fsbgp4PeerExtTable
```

```
iS5Comm # snmpwalk mib name fsbgp4PeerExtTable count 1 short1
```

Syslog

12. Syslog

System Log (Syslog) is an RFC 3164 compliant protocol. The syslog protocol provides a transport to allow a machine to send event notification messages across IP networks to event message collectors (aka syslog servers). A Syslog message is any IP packet sent via Syslog protocol using UDP port 514 (by default). These messages are generated instantly as and when an event (e.g. Interface UP/DOWN, login/logout, save and restore config, max temperature threshold) occurs during the device's operation.

The full format of a Syslog message seen on the wire has three discernable parts. The first part is called the PRI, the second part is the header, and the third part is the MSG. The total length of the packet must be 1024 bytes or less. The switch ensures that each syslog message do not exceed 1024 bytes.

In its first PRI part, every syslog message contains a Priority value which represents both the Facility and Severity. The HEADER consists of VERSION, TIMESTAMP, HOSTNAME (or IPv4 or IPv6 address), APP-NAME, PROCID, and MSGID. The TIMESTAMP field is the local time and is in the format of "Mmm dd hh:mm:ss" (without the quote marks) value in "mmm dd hh:mm:ss" format.

The device allows an administrator to direct the log messages to local storage (RAM/Flash) or to remote Syslog server which runs in any Linux/Windows machine. In case of remote logging, the switch uses IP-based communication to log message to remote server. Syslog client in the switch can also send the same message to different collector if configured by the administrator. One of the fundamental tenets of the syslog protocol and process is its simplicity. The transmission of syslog messages may be started on a device without a receiver being configured, or even actually physically present. This simplicity has greatly aided the acceptance and deployment of syslog.

12.1. Severity

Each message Priority has a decimal Severity level indicator between 0 – 7. The lower the value, the higher the priority. The switch's Software is provisioned with more than 1500 SYSLOG messages covering errors, alerts, and major events. [Table 1](#) shows the list of all severity levels along with their numerical values.

Table 1: Severity Levels (Sheet 1 of 2)

Value	Severity	Keyword	Description	Condition
0	Emergency	emerg	System is unusable	A panic condition

Table 1: Severity Levels (Continued) (Sheet 2 of 2)

Value	Severity	Keyword	Description	Condition
1	Alert	alert	Action must be taken immediately	A condition that should be corrected immediately, such as corrupted system database.
2	Critical	crit	Critical conditions	Hard device errors.
3	Error	err	Error conditions	Specified any error condition happened in the system operation.
4	Warning	warning	Warning conditions	Specified any abnormalities happening in the system operation.
5	Notice	notice	Normal but significant conditions	Conditions that are not error conditions, but that may require special handling.
6	Informational	info	Informational messages	Information to users.
7	Debug	debug	Debug-level messages	Messages that contain information normally of use only when debugging a program.

12.2. Priority

Each syslog message includes a priority value in the beginning of the text message. The priority value ranges between 0 to 191 and it made up of facility and severity values. The priority is enclosed with “<>” delimiters. The formula for calculating the priority value is:

Priority Value = Facility Level Numerical Value + Severity Value

For example, for a local4 message (Facility level value 160) with a Severity of Notice (Severity=5), the Priority would have a Priority value of 165.

12.3. Facility

Facility code is used to specify the type of program logging the message. Messages with different facilities can be handled differently. This term comes into picture when we start using remote logging mechanism. There are total of 8 facility levels ranging between local0 and local7. Each facility level has a value assigned to it—local0 (128), local1 (136), local2 (144), local3(152), local4(160), local5(168), local6(176), and local7 (184). The switch is configured with default facility level (local0) and all messages are sent with this facility level unless configured to use different facility level. The idea of the facility level configuration is to differentiate and filter logs.

12.4. Example of Valid Syslog Message

```
<165>1 2003-08-24T05:14:15.000003-07:00 192.0.2.1 su 8710 ID47 BOM 'su root' failed for lonvick on /dev/pts/8
```

- <165> stands for Priority value indicating a locally defined facility (local4) with a severity of Notice 5 (11.1.3).
- The HEADER part has VERSION 1, a TIMESTAMP field in the message "24 August 2003 at 5:14:15am, with a -7 hour offset from UTC, 3 microseconds into the next second", IPv4—"192.0.2.1"; APP-NAME is "su", the PROCID is "8710" (for example, this could be the UNIX PID), and the MSGID is "ID47".
- The MSG is "'su root' failed for lonvick", encoded in UTF-8. The encoding is defined by the BOM

This example of valid syslog messages is based on section 6.5 Examples of RFC 5425.

12.5. Factory Default Syslog Configuration Values

Shown below is the list of factory default values configured after a clean start.

- Local logging in RAM is enabled by default
- Default number of syslog messages stored in RAM is 200
- Default severity level is Critical
- Default facility level is local0.
- Default flash file size is 1MB in case that flash logging is configured.

12.6. Logging Mechanisms Types and Default Configuration

There are two types of local logging mechanisms. Mechanism 1 is stored in RAM and 2 is stored in Flash memory.

12.7. Local Logging Mechanism 1

In this mechanism, the Syslog messages are stored in RAM. Syslog client in the switch can store 200 messages (default) at a time which can be configured to maximum of 4096 messages. Once the maximum level is reached, it rolls on i.e. the latest messages will be displayed and the oldest messages will be erased.

There is a rule in local logging mechanism as per which all levels below the configured reference severity level are automatically logged. For example, if *critical* is the default level with priority value of 2, the levels below are *alert* with a value of 1 and *emergency* (level 0). Both below levels are automatically logged. Therefore, there will be no need for configuration needed if the administrator needs to log only critical and levels below messages. If we had configured the logging severity as *debugging* whose value is 7 (the maximum), in that case, all severity levels (7-0) would have been logged automatically

12.8. CLI Commands for Local Logging Method 1

Table 2: CLI Commands for Local Logging Method 1

Command Syntax	Description
logging local buffered 4096	Configures maximum storage capability to 4096. Default value is 200.
logging severity debugging	Sets the reference severity level to debugging. Default value is "Critical".
syslog localstorage	Enables the syslog local storage capability. This command is enabled with the help of init script during boot up of the switch.
no logging severity	This will revert back the reference severity level back to default, which is Critical severity level.
no logging buffered	This will reset the buffer level back to default value 200.
no syslog localstorage	
show logging	Displays the syslog messages stored in RAM.
clear logs	Deletes all the captured syslog messages in RAM

From the above shown CLI commands, the logging severity level is configured as debugging, and hence the priority value below 7 (emergency/alert/critical/error/warning/notice/info/debug) is automatically logged in RAM.

The "show logging" command lists all captured syslog messages in RAM. It displays the latest collected logs and deletes the oldest messages. The buffer size is set to max 4096 and the facility level configured is local0 (see below).

```
System Log Information
-----
Syslog logging : enabled(Number of messages 127)
Console logging : disabled(Number of messages 0)
TimeStamp option : enabled
Severity logging : Critical
Facility : local1
Buffered size : 4096 Entries
```

12.9. Local Logging Mechanism 2

This second local logging method is storing syslog messages in flash memory. We can set a file name of user choice in a flash and redirect all syslog messages to the created file. First, we create a file name and next associate the messages (based on severity) to the log file.

Each created file can accommodate 10MB of data. Once the 10 MB data quota is reached, the log messages will be moved to the same file name with a .bk extension and a new file will be created (with the same name) in which the live logging will continue. This process is a repeating cycle, as each time 10 MB of data is reached, the old logs are moved to a .bk file and the live logging takes place in a new file. So, the flash consumption is restricted to max of 20MB (10 MB for .bk file which has the old log messages and 10 MB where the current live logging takes place).

12.10. CLI Commands for Creating Multiple Syslog Files

A maximum of 3 files can be created. The CLI commands for configuring the files are shown in the table below.

Table 3: Syslog CLI Configurations for Local Logging

Command Syntax	Description
syslog filename-one my_syslog	A flash file with a name my_syslog is created.
syslog filename-two two	A flash file with a name two is created.
syslog filename-three three	A flash file with a name three is created.

12.11. Logging to Flash Files CLI Commands

The original command provided was as shown in Table 6. In the original command, the user had to provide the priority value between 0-191. It is a bit tedious process to choose the value as the user had to do some calculation of the priority based on the numerical values of facility and severity level of the syslog message that needs to be logged on.

Therefore, the command had been simplified as shown in [Table 5](#). The user does not need to provide the hard coded value but rather just specify the severity of the message that needs to be logged into the file.

Table 4: Old Logging-file CLI Command

Command Syntax	Description
logging-file <short (0-191)> <string (32)>	0-191 is the priority value that user should provide and the string is the file name.

Table 5: New & Modified Logging to File CLI Command

Command Syntax	Description
logging local {buffered [<short (1-4096)>]} flash {{{alerts critical debugging emergencies errors informational notification warnings} file <string(32)>} size <integer (1-10)>}}	Simplified command which logs based on severity level specified by user. At backend, we calculate the associated priority.
logging local flash debugging file one	Redirects debugging severity to flash file “one”
logging local flash critical file two	Redirects critical severity to flash file “two”
logging local flash alert file three	Redirects alert severity to flash file “three”
no logging local flash debugging file one	Unconfigures the local flash logging for debugging severity for flash file “one”
no logging local flash critical file two	Unconfigures the local flash logging for criticalseverity for file named “two”.
no logging local flash alert file three	Unconfigures the local flash logging for alertseverity for file name “three”.

12.12. Flash Space Restriction Mechanisms

All Syslog and other log files (fsir.log.xxx & audit log) are created and stored under /mnt/log flash folder. The capacity of the log folder is 118 MB. To prevent the flash log folder getting fully occupied, a restriction mechanism had been devised.

12.13. Warning Messages

When the usage of this folder reaches the threshold, in the console prompt, a warning message such as the one shown below is generated for the user. The warning will appear every time when there is an attempt for a syslog message to be logged in a flash file and until space in the flash file is freed.

```
Warning: Syslog flash storage crossed its threshold limit. Do you want to
erase logs (Y/N) [N]?
```

If an user presses **Yes**, all log files in the flash log directory will be deleted.

If an user selects **No** or just presses **Enter** (i.e. the default option which is **No** is activated), the console prompt is returned to normal operation. The administrator can later transfer the log messages from the flash directory to an external Windows / Linux machine and erase the logs to save space. The CLI configuration commands to do the same are outlined in [Table 6](#).

Table 6: Copy and Erase Flash Log CLI Commands

Command Syntax	Description
copy flash log threetsftp://192.168.10.66/three	Copies flash file “three” to remote machine
copy flash log threetsftp://192.168.10.66/syslog	The source file and the destination file don’t need to be same.
erase flash log three	This CLI command deletes the specific log file in flash named “three”

12.14. Error Messages

When the flash is occupied to its maximum capacity of 118 MB, a second level of restriction mechanism is activated, and an error message as captured below is generated. The user will be prevented from creating new file.

```
iS5Comm <config># syslog filename-two <string(32)>
ERROR: Flash space exhausted. Please delete log files and then try again
iS5Comm <config>#
```

12.15. USB option for copying logs to external USB flash drive

There will be a new CLI command added for copying the Syslog file from internal flash to external USB flash drive. The command is outlines in the table below.

Table 7: Copy Logs to External USB Flash Drive CLI Commands

Command Syntax	Description
copy flash log three usb three	Copies internal flash (source) file named “three” to USB drive with destination name as given by the user.
copy flash log three usb syslog	The source file and destination file don’t need to be same.

12.16. CLI Command for Listing File Contents of Flash

Table 8: Listing File Contents of Flash CLI Commands

Command Syntax	Description
show flash logs	This command is executed in global execution mode which lists the flash contents.

12.17. Example Configuration For Local (Flash) Logging

```
iS5Comm <Config># Logging Severity Debugging
iS5Comm <Config># Syslog Filename-one One
iS5Comm <Config># Syslog Filename-two Two
iS5Comm <Config># Syslog Filename-three Three
iS5Comm <Config># Logging Local Flash Debugging File One
iS5Comm <Config># Logging Local Flash Alert File Two
iS5Comm <Config># Logging Local Flash Critical File Three
iS5Comm <Config># End
```

As Per The Example Configuration Shown Above, The Above Set Of Configurations Creates Flash File Named “one”, “two”, And “three” In The Flash Directory /mnt/log/ And The Debugging Severity Messages Are Directed To File “one”, Alert Severity Messages Are Directed To “two”, And Critical Severity Messages Are Directed To “three”.

For Instance, If File “one” Has Reached Its Quota 4 Mb, The Log Messages In File “one” Is Backed Up In A New File Named “one.bk” And The Newly Generated Messages Are Still Logged To File “one” As A New File. This Cycle Is Repeated Every Time 4 Mb Is Reached.

12.18. Firmware Upgrade – Logging of the Progress

- When Firmware upgrade process is started, the device should be rebooted to verify the upgrade was successful.
- To log the firmware upgrade, a log message is added to note that the firmware upgrade is in progress along with the current SW version.

```
<130>Dec 4 15:55:48 192.168.10.1 ISS TFTP Firmware upgrade in
progress...!! current sw version: [1.18.01A001]
<130>Dec 4 15:55:48 192.168.10.1 ISS MSR System Reloas Requested
```

- Additionally, there is always a log to note the current version of the SW in every boot.
- ```
<130>Dec 4 15:55:48 192.168.10.1 ISS MSR System Reloas Requested
<130>Dec 4 15:55:48 192.168.10.1 ISS MSR Device Successfully bootes with
sw version [1.18.01A001]
```

- The combination of the above two logs from a syslog file would help to know if there was a successful upgrade, or if there was a change in version.

## 12.19. Remote Logging

The remote logging is transferring the Syslog messages to syslog remote server running in any Windows/Linux machine. These messages are transferred instantly when an event (e.g. Link up/down, attaining max temperature threshold) occurs in the switch via a UDP socket. These messages can be filtered based on the severity & facility level.

For the remote logging to take place, first we need to set the reference severity, and then configure which severity to be logged to the remote syslog server. The default logging severity is Critical (3). So, when an event occurs the SYSLOG client application first check if the severity level of the message is less than or equal to reference severity level, and second, it checks if there is any remote server configured for that severity. Only if both conditions are satisfied, the log will be transferred to the remote server.

## 12.20. Remote Logging Syslog CLI Commands

The original CLI command for logging the message to remote server is shown in Table 10. In a similar manner as the logging-file CLI command, this command also requires a user to specify the priority value between 0-191. loggingfile CLI command had been replaced with a CLI commands for remote logging which uses severity levels instead of priority levels. The new CLI commands for remote logging are displayed in [Table 10](#).

**Table 9:** Remote Logging Old CLI Command

| Command Syntax                                                                                                      | Description                                                                 |
|---------------------------------------------------------------------------------------------------------------------|-----------------------------------------------------------------------------|
| logging-server <short (0-191)> {ipv4<uicast_addr>   ipv6 <ip6_addr>   <dns_host_name>} [ port <integer (1- 65535)>] | 0-191 is the priority value that the switch requires the user to configure. |

**Table 10:** Remote Logging Modified CLI Commands (Sheet 1 of 2)

| Command Syntax                                                                                                                                                                                                           | Description                                                                                                                                             |
|--------------------------------------------------------------------------------------------------------------------------------------------------------------------------------------------------------------------------|---------------------------------------------------------------------------------------------------------------------------------------------------------|
| logging remote {alerts   critical   debugging   emergencies   errors   informational   notification   warnings} {ipv4 <uicast_addr>   ipv6 <ip6_addr>   <dns_host_name>} [ port<integer (1-65535)>] [{udp   tcp   beep}] | Simplified command for setting the remote logging severity based on the severity rather than priority. At backend we calculate the associated priority. |
| logging remote alerts ipv4 < syslog-server IPAddress>                                                                                                                                                                    | Logs alert level messages                                                                                                                               |

**Table 10:** Remote Logging Modified CLI Commands (Continued) (Sheet 2 of 2)

| Command Syntax                                              | Description                                                        |
|-------------------------------------------------------------|--------------------------------------------------------------------|
| logging remote critical ipv4 < syslog-serverIP address>     | Logs critical level messages                                       |
| logging remote debugging ipv4 < syslog-serverIP address>    | Logs debugging level messages                                      |
| logging remote emergencies ipv4 < syslogserver IP address>  | Logs emergency level messages                                      |
| logging remote errors ipv4 <syslog-server IPAddress>        | Logs error level messages                                          |
| logging remote informational ipv4 <syslogserver IP address> | Logs informational level messages                                  |
| logging remote notification ipv4 <syslogserver IP address>  | Logs notification level messages                                   |
| logging remote warnings ipv4 <syslog-server IP address>     | Logs warning level messages                                        |
| no logging remote alerts ipv4 <syslog-server IP address>    | Unconfigures the remote logging server for alerts severity level.  |
| no logging remote critical ipv4 <syslog-server IP address>  | Unconfigures the remote logging server for critical severity level |

We can have maximum of seven different syslog server IP address configurations, and ideally each severity level (total 0 - 7) can be logged to eight different servers.

## 12.21. Remote Logging Syslog Facility Level Configuration

There are eight facility levels in total which can be configured. The purpose of these commands is to differentiate and filter syslog messages in the external syslog servers. The default facility is Local0.

**Table 11:** Remote Logging Syslog Facility Level CLI Commands (Sheet 1 of 2)

| Command Syntax                                          | Description                        |
|---------------------------------------------------------|------------------------------------|
| logging severity debugging                              | Sets the reference severity level  |
| logging facility local1                                 | Sets the logging facility aslocal1 |
| logging remote critical ipv4 < syslog-serverIP address> | Logs critical level messages       |

**Table 11:** Remote Logging Syslog Facility Level CLI Commands (Continued) (Sheet 2 of 2)

| Command Syntax                                             | Description                   |
|------------------------------------------------------------|-------------------------------|
| logging remote debugging ipv4 < syslog-serverIP address>   | Logs debugging level messages |
| logging remote emergencies ipv4 < syslogserver IP address> | Logs emergency level messages |

## 12.22. Example 1 for Configuration for Remote Logging

```
iS5Comm <config># logging severity debugging
iS5Comm <config># logging remote debugging ipv4 192.168.10.67
iS5Comm <config># remote critical ipv4 192.168.10.68
iS5Comm <config># end
```

The above set of configurations logs debugging severity messages under facility level local1. Facility level is a onetime configuration. Once it is set, all message generation will follow the same facility level, i.e. severity cannot be set to different facility level.

## 12.23. Example 2 for Configuration for Remote Logging

```
iS5Comm <config># logging severity debugging
iS5Comm <config># logging facility local1
iS5Comm <config># logging remote debugging ipv4 192.168.10.67
iS5Comm <config># end
```

The above set of configurations logs debugging severity messages under facility level local1. Facility level is a onetime configuration, and once it is set, all message generation will follow the same facility level, i.e. severity cannot be set with different facility level.

## 12.24. Syslog List

What follows is a list of the Syslogs supported by the device.

**Table 12:** List of Syslogs (Sheet 1 of 25)

| Module   | Syslog Message                                                                                                                                   | Severity Level |
|----------|--------------------------------------------------------------------------------------------------------------------------------------------------|----------------|
| STP-RSTP | Total number of ports in switch exceeds 4094,STP can run only on ports upto 4094. Hence this port will not be participating in the spanning tree | Alert          |
| STP-RSTP | Setting of port state failed in hardware                                                                                                         | Alert          |

**Table 12:** List of Syslogs (Continued) (Sheet 2 of 25)

| Module | Syslog Message                                                                                       | Severity Level |
|--------|------------------------------------------------------------------------------------------------------|----------------|
| VLAN   | SBP oper Status is [UP / Down] for SCID-SVID (<port no> - <port no>) on the UAP port                 | Informational  |
| VLAN   | Not owned context exists:<br>vlan_curr_context_thread                                                | Critical       |
| VLAN   | Context owned by vlan_curr_context_thread not owned by current thread                                | Critical       |
| VLAN   | VLAN: Source relearning has occurred for Mac Address from one port to another port                   | Informational  |
| VLAN   | SCID-SVID deletion is failed on the UAP port                                                         | Informational  |
| VLAN   | SCID-SVID is deleted in hardware on the UAP port                                                     | Informational  |
| VLAN   | SCID-SVID creation is failed in hardware on the UAP port                                             | Informational  |
| VLAN   | SCID-SVID is created in hardware on the UAP port                                                     | Informational  |
| VLAN   | SBP oper Status is [UP] for SCID-SVID on the UAP port                                                | Informational  |
| VLAN   | Failed to program MAC address during creation/deletion/updating the unicast entry from the peer node | Error          |
| VLAN   | MAC learning limit has reached for VLAN ID                                                           | Error          |
| VLAN   | SCID-SVID creation in hardware failed on the UAP port                                                | Informational  |
| VLAN   | SCID-SVID is created in hardware on the UAP port                                                     | Informational  |
| VLAN   | SCID-SVID deletion is failed in hardware on the UAP port                                             | Informational  |
| VLAN   | SCID-SVID is deleted in hardware on the UAP port                                                     | Informational  |
| VLAN   | SBP oper Status is [UP/DOWN] for SCID-SVID on the UAP port                                           | Informational  |
| VLAN   | SCID-SVID deletion from hardware is failed on the UAP port                                           | Informational  |
| VLAN   | SBP Admin Status is [UP/DOWN] for SCID-SVID on the UAP port                                          | Informational  |

**Table 12:** List of Syslogs (Continued) (Sheet 3 of 25)

| Module           | Syslog Message                                                                    | Severity Level |
|------------------|-----------------------------------------------------------------------------------|----------------|
| VLAN             | SCID-SVID for opcode is failed in hardware on the UAP port                        | Informational  |
| VLAN             | SCID-SVID for Opcode is success in hardware on the UAP port                       | Informational  |
| Link Aggregation | LaEnqueueControlFrame: Ctrl Mesg ALLOC_MEM_BLOCK FAILED                           | Critical       |
| Link Aggregation | Configuration on MC-LAG interfaces shall be done uniformly across MC-LAG nodes    | Critical       |
| Link Aggregation | Reason for Recovery is Threadhold Exceed for Port                                 | Critical       |
| Link Aggregation | Reason for Recovery is Port Defaulted for Port                                    | Critical       |
| Link Aggregation | Reason for Recovery is H/w Failure for Port                                       | Critical       |
| Link Aggregation | Recovery trigger for Port has exceeded the threshold.Performing admin down action | Critical       |
| Link Aggregation | Recovery trigger for Port has exceeded the threshold.Performing no action         | Critical       |
| Link Aggregation | LaCreatePort: Intf Mesg ALLOC_MEM_BLOCK FAILED                                    | Critical       |
| Link Aggregation | LaMapPort: Intf Mesg ALLOC_MEM_BLOCK FAILED                                       | Critical       |
| Link Aggregation | LaDeletePort: Intf Mesg ALLOC_MEM_BLOCK FAILED                                    | Critical       |
| Link Aggregation | LaUnmapPort: Intf Mesg ALLOC_MEM_BLOCK FAILED                                     | Critical       |
| Link Aggregation | LaUpdatePortStatus: Intf Mesg ALLOC_MEM_BLOCK FAILED                              | Critical       |
| Link Aggregation | LaAsyncNpUpdateStatus: Intf Msg ALLOC_MEM_BLOCK FAILED                            | Critical       |
| Link Aggregation | Reason for Error Recovery timer Start is Threadhold Exceed for Port               | Critical       |
| Link Aggregation | Reason for Error Recovery timer Start is Port Defaulted for Port                  | Critical       |
| Link Aggregation | Reason for Error Recovery timer Start is H/w Failure for Port                     | Critical       |

**Table 12:** List of Syslogs (Continued) (Sheet 4 of 25)

| Module           | Syslog Message                                                                          | Severity Level |
|------------------|-----------------------------------------------------------------------------------------|----------------|
| Link Aggregation | [NP-FAULT - LA] operation has failed                                                    | Critical       |
| Link Aggregation | LaEnqueueControlFrame: Ctrl Mesg<br>ALLOC_MEM_BLOCK FAILED                              | Critical       |
| PNAC             | Allocate mem block for Pnac Configuration<br>Message failed                             | Critical       |
| PNAC             | Allocate mem block for Pnac Interface Message<br>failed                                 | Critical       |
| PNAC             | PAE: PnacSetPnacPortAuthMode Allocate mem<br>block for Pnac Interface Message failed    | Critical       |
| PNAC             | PAE: PnacSetPnacPortAuthControl Allocate mem<br>block for Pnac Interface Message failed | Critical       |
| PNAC             | Memory Allocation for PnacCallBackEvent Message<br>failed                               | Critical       |
| PNAC             | Allocate mem block for Pnac Interface Message<br>failed                                 | Critical       |
| PNAC             | [NP-FAULT] errors                                                                       | Alert          |
| WEBNM            | Firmware upgrade successful                                                             | Notice         |
| WEBNM            | WEBNM: Improper realm in HTTP Digest<br>Authentication scheme                           | Alert          |
| WEBNM            | WEBNM: HTTPS session established successfully<br>from <IP address>                      | Informational  |
| WEBNM            | WEBNM: User is blocked, Login Not Allowed                                               | Alert          |
| WEBNM            | WEBNM: The RequestDigest sent by the client is<br>INVALID                               | Alert          |
| WEBNM            | WEBNM: Attempt to block the user failed                                                 | Alert          |
| WEBNM            | WEBNM: Attempt to login with wrong credentials                                          | Alert          |
| WEBNM            | WEBNM: User requires password change,<br>redirecting.                                   | Alert          |
| WEBNM            | WEBNM: Successfully logged as User                                                      | Alert          |
| WEBNM            | WEBNM: User successfully logged out                                                     | Informational  |
| WEBNM            | WEBNM: Attempt to Login with Wrong Password                                             | Alert          |



**Table 12:** List of Syslogs (Continued) (Sheet 5 of 25)

| Module   | Syslog Message                                                                      | Severity Level |
|----------|-------------------------------------------------------------------------------------|----------------|
| WEBNM    | WEBNM: Session logout Idle timer expired for web                                    | Alert          |
| WEBNM    | WEBNM <username> <Url> <Error message>                                              | Debug          |
| WEBNM    | All POST http requests                                                              | Debug          |
| DHCP_SRV | Pool utilization exceeded threshold level                                           | Alert          |
| SNTP     | Displaying info of old time, new time, server IP address                            | Informational  |
| SNTP     | No Server Found. Stopping further requests...                                       | Informational  |
| SNTP     | Server is not responding. Stopping further requests to this server...               | Informational  |
| SNTP     | Primary server is not responding                                                    | Informational  |
| SNTP     | Secondary server is not responding                                                  | Informational  |
| SNTP     | Unable to reach Primary and Secondary Server                                        | Informational  |
| SNTP     | Displaying info of old time, new time, server IP address                            | Informational  |
| LLDP     | LldpVlIndbNotifyVlInInfoChgForPort Intf Msg<br>ALLOC_MEM_BLOCK FAILED               | Critical       |
| LLDP     | LldpVlIndbNotifyVlanInfoChg Intf Msg<br>ALLOC_MEM_BLOCK FAILED                      | Critical       |
| LLDP     | LldpApiNotifyIfCreate: Port <port no>: Intf creation<br>Msg ALLOC_MEM_BLOCK FAILED  | Critical       |
| LLDP     | LldpApiNotifyIfMap: Port <port no> : Intf mapping<br>Msg ALLOC_MEM_BLOCK FAILED     | Critical       |
| LLDP     | LldpApiNotifyIfDelete: Port <port no> : Intf<br>Deletion Msg ALLOC_MEM_BLOCK FAILED | Critical       |
| LLDP     | LldpApiNotifyIfUnMap: Port<port no> : Intf<br>Unmapping Msg ALLOC_MEM_BLOCK FAILED  | Critical       |
| LLDP     | LldpApiNotifyIfAlias: Port <port no> : Intf Msg<br>ALLOC_MEM_BLOCK FAILED           | Critical       |
| LLDP     | LldpApiNotifyAgentCircuitId: Port <port no> : Intf<br>Msg ALLOC_MEM_BLOCK FAILED    | Critical       |

**Table 12:** List of Syslogs (Continued) (Sheet 6 of 25)

| Module | Syslog Message                                                                                 | Severity Level |
|--------|------------------------------------------------------------------------------------------------|----------------|
| LLDP   | LldpApiNotifyIfOperStatusChg: Port <port no> : Intf Msg ALLOC_MEM_BLOCK FAILED                 | Critical       |
| LLDP   | LldpApiEnqIncomingFrame: Port <port no> : MemAlloc Failed for RxPduQPoolId                     | Critical       |
| LLDP   | LLDPNotifyPortVlanId: Port <port no> : Intf Msg ALLOC_MEM_BLOCK FAILED                         | Critical       |
| LLDP   | LldpApiNotifyProtoVlanStatus: Port <port no> : Intf Msg ALLOC_MEM_BLOCK FAILED                 | Critical       |
| LLDP   | LldpApiNotifyProtoVlanId: Port <port no> : Intf Msg ALLOC_MEM_BLOCK FAILED                     | Critical       |
| LLDP   | LldpApiNotifyPortAggCapability: Port <port no> : Intf Msg ALLOC_MEM_BLOCK FAILED               | Critical       |
| LLDP   | LldpApiNotifyResetAggCapability Intf Msg ALLOC_MEM_BLOCK FAILED"                               | Critical       |
| LLDP   | LldpApiNotifyAggStatus: Port <port no> : Intf Msg ALLOC_MEM_BLOCK FAILED                       | Critical       |
| LLDP   | LldpApiNotifySysName : Mem Allocation Failed for QMsgPoolId while Notifying System Name change | Critical       |
| LLDP   | LldpApiNotifySysDesc : Mem Allocation Failed for QMsgPoolId while Notifying System Desc change | Critical       |
| LLDP   | LldpApiNotifyIpv6IfStatusChange : Failed to allocate memory for the QMsgPoolId                 | Critical       |
| LLDP   | "LldpApiApplPortReg: Port <port no> : Appln Reg. Msg ALLOC_MEM_BLOCK FAILED                    | Critical       |
| LLDP   | LldpApiApplPortReg: Port <port no> : Appln TLV Msg ALLOC_MEM_BLOCK FAILED                      | Critical       |
| LLDP   | LldpApiSetDstMac: Port <port no> : Appln Reg Msg ALLOC_MEM_BLOCK FAILED                        | Critical       |
| LLDP   | LldpApiNotifyPortDesc : Mem Allocation Failed for QMsgPoolId while Notifying Port Desc change  | Critical       |
| LLDP   | LldpApiNotifyIfCreate: Port <port no> : Intf creation Msg ALLOC_MEM_BLOCK FAILED               | Critical       |

**Table 12:** List of Syslogs (Continued) (Sheet 7 of 25)

| Module | Syslog Message                                                                                                                                                              | Severity Level |
|--------|-----------------------------------------------------------------------------------------------------------------------------------------------------------------------------|----------------|
| LLDP   | Mempool Allocation Failure for New RemManAddr Node                                                                                                                          | Critical       |
| LLDP   | LldpTlvUpdtUnrecogOrgDefTlv : Mempool Allocation Failure for New Unrecog Org Spec TLV Node - But returning SUCCESS as it is not required to store application TLVS in LLDP" | Critical       |
| LLDP   | Mempool Allocation Failure for New RemUnknownTlv Node                                                                                                                       | Critical       |
| LLDP   | LldplfCreate: Alloc mem block for port FAILED                                                                                                                               | Critical       |
| LLDP   | LldplfCreate: Alloc mem block for lldp agent mapping FAILED                                                                                                                 | Critical       |
| LLDP   | LldplfCreate: RBTree add for lldp agent mapping FAILED                                                                                                                      | Critical       |
| LLDP   | LldplfCreate: Alloc mem block FAILED                                                                                                                                        | Critical       |
| LLDP   | LldpTxUtlAddIpv4Addr : Failed to allocate memory for Local ManAddr Node                                                                                                     | Critical       |
| LLDP   | (LldpTxUtlAddIpv6Addr) - Failed to allocate memory for Local ManAddr Node                                                                                                   | Critical       |
| LLDP   | LldpTxUtlAddProtoVlanEntry: Memory allocation failed!!                                                                                                                      | Critical       |
| LLDP   | LldpDot3TlvUpdtOrgSpecTlv: Mempool Allocation Failure for New RemManAddr Node                                                                                               | Critical       |
| LLDP   | LldpDot1TlvUpdtProtoVlanIdTlv; Mempool Allocation Failure for New Protocol Vlan Node                                                                                        | Critical       |
| LLDP   | LldpDot1TlvUpdtVlanNameTlv: Mempool Allocation Failure for New Vlan Name Node                                                                                               | Critical       |
| LLDP   | LldpRedRcvPktFromRm: Memory allocation failed for RM message                                                                                                                | Critical       |
| LLDP   | LldpRedProcManAddrBulkUpd: Mempool Allocation Failure for management addr node                                                                                              | Critical       |
| LLDP   | LldpRedProcProtoVlanBulkUpd: Mempool Allocation "Failure for proto vlan node                                                                                                | Critical       |

**Table 12:** List of Syslogs (Continued) (Sheet 8 of 25)

| Module  | Syslog Message                                                                  | Severity Level |
|---------|---------------------------------------------------------------------------------|----------------|
| LLDP    | LldpRedProcVlanNameBulkUpd: Mempool Allocation Failure for vlan name node       | Critical       |
| LLDP    | LldpRedProcUnknownTlvBulkUpd: Mempool Allocation Failure for unknown tlv node   | Critical       |
| LLDP    | LldpRedProcOrgDefInfoBulkUpd: Mempool Allocation Failure for org.def info node  | Critical       |
| LLDP    | LldpRedGetDot3TlvInfo: Mempool Allocation Failure                               | Critical       |
| LLDP    | LldpRedProcRemNodeBulkUpd: Failed to Allocate Memory for remote node"           | Critical       |
| LLDP    | LldpRedAddRemNode: Failed to Allocate Memory for new Remote Node                | Critical       |
| LLDP    | LldpRedProcMedNwPolRemNodeBulkUpd: Failed to Allocate Memory for remote node    | Critical       |
| LLDP    | LldpRedProcMedLocationRemNodeBulkUpd: Failed to Allocate Memory for remote node | Critical       |
| LLDP    | LldpRedRcvPktFromRm: Memory allocation failed for RM message                    | Critical       |
| LLDP    | LldpDot3TlvUpdtOrgSpecTlv: Mempool Allocation Failure for New RemManAddr Node   | Critical       |
| PTP1588 | No change in profile                                                            | Informational  |
| PTP1588 | PTP Profile change failed (Domain switch to <domain no> failed)                 | Error          |
| PTP1588 | PTP Profile changed to <profile name>                                           | Informational  |
| PTP1588 | printing error                                                                  | Error          |
| RIP     | Entering RipRedInitGlobalInfo                                                   | Informational  |
| RIP     | RipRedInitGlobalInfo: Registration with RM failed"                              | Error          |
| RIP     | Exiting RipRedInitGlobalInfo                                                    | Informational  |
| RIP     | RipRedDeInitGlobalInfo: De-Registration with RM failed                          | Informational  |
| RIP     | Exiting RipRedDeInitGlobalInfo                                                  | Error          |

**Table 12:** List of Syslogs (Continued) (Sheet 9 of 25)

| Module | Syslog Message                                                                  | Severity Level |
|--------|---------------------------------------------------------------------------------|----------------|
| RIP    | Entering RipRedHandleRmEvents                                                   | Informational  |
| RIP    | RipRedHandleRmEvents: Received GO_ACTIVE event"                                 | Informational  |
| RIP    | RipRedHandleRmEvents:Received GO_STANDBY event                                  | Informational  |
| RIP    | RipRedHandleRmEvents: Received RM_STANDBY_UP event                              | Informational  |
| RIP    | RipRedHandleRmEvents: Received RM_STANDBY_DOWN event                            | Informational  |
| RIP    | RipRedHandleRmEvents:Received RM_MESSAGE event                                  | Informational  |
| RIP    | RipRedHandleRmEvents: Sync-up message received at Idle Node                     | Informational  |
| RIP    | RipRedHandleRmEvents: Received L2_INITIATE_BULK_UPDATES                         | Informational  |
| RIP    | RipRedHandleRmEvents: Invalid RM event received                                 | Error          |
| RIP    | Exiting RipRedHandleRmEvents                                                    | Informational  |
| RIP    | Entering RipRedHandleGoActive                                                   | Informational  |
| RIP    | RipRedHandleGoActive: GO_ACTIVE event reached when node is already active       | Informational  |
| RIP    | RipRedHandleGoActive: Idle to Active transition                                 | Informational  |
| RIP    | RipRedHandleGoActive: Standby to Active transition                              | Informational  |
| RIP    | Exiting RipRedHandleGoActive                                                    | Informational  |
| RIP    | Entering RipRedHandleGoStandby                                                  | Informational  |
| RIP    | RipRedHandleGoStandby: GO_STANDBY event reached when node is already in standby | Informational  |
| RIP    | RipRedHandleGoStandby: GO_STANDBY event reached when node is already idle       | Informational  |
| RIP    | RipRedHandleGoStandby: Active to Standby transition                             | Informational  |

**Table 12:** List of Syslogs (Continued) (Sheet 10 of 25)

| Module | Syslog Message                                                          | Severity Level |
|--------|-------------------------------------------------------------------------|----------------|
| RIP    | Exiting RipRedHandleGoStandby                                           | Informational  |
| RIP    | Entering RipRedHandleIdleToActive                                       | Informational  |
| RIP    | Exiting RipRedHandleIdleToActive                                        | Informational  |
| RIP    | Entering RipRedHandleIdleToStandby                                      | Informational  |
| RIP    | RipRedHandleIdleToStandby: Node Status Idle to Standby                  | Informational  |
| RIP    | Exiting RipRedHandleIdleToStandby                                       | Informational  |
| RIP    | "Entering RipRedStartTimers"                                            | Informational  |
| RIP    | Entering RipRedHandleStandbyToActive                                    | Informational  |
| RIP    | RipRedHandleStandbyToActive: Node Status Standby to Active              | Informational  |
| RIP    | Exiting RipRedHandleStandbyToActive                                     | Informational  |
| RIP    | Entering RipRedHandleActiveToStandby                                    | Informational  |
| RIP    | RipRedHandleActiveToStandby: Node Status Active to Standby              | Informational  |
| RIP    | Exiting RipRedHandleActiveToStandby                                     | Informational  |
| RIP    | Entering RipRedProcessPeerMsgAtActive                                   | Informational  |
| RIP    | RipRedProcessPeerMsgAtActive: Bulk request message before RM_STANDBY_UP | Informational  |
| RIP    | Exiting RipRedProcessPeerMsgAtActive                                    | Informational  |
| RIP    | Entering RipRedProcessPeerMsgAtStandby                                  | Informational  |
| RIP    | RipRedProcessPeerMsgAtStandby:RM_PROCESS Failure                        | Error          |
| RIP    | Exiting RipRedProcessPeerMsgAtStandby                                   | Informational  |
| RIP    | Entering RipRedRmReleaseMemoryForMsg                                    | Informational  |
| RIP    | RipRedRmReleaseMemoryForMsg:Failure in releasing allocated memory       | Error          |
| RIP    | Exiting RipRedRmReleaseMemoryForMsg                                     | Informational  |
| RIP    | Entering RipRedSendMsgToRm                                              | Informational  |

**Table 12:** List of Syslogs (Continued) (Sheet 11 of 25)

| Module | Syslog Message                                                              | Severity Level |
|--------|-----------------------------------------------------------------------------|----------------|
| RIP    | RipRedSendMsgToRm:Freememory due to message send failure                    | Error          |
| RIP    | Exiting RipRedSendMsgToRm                                                   | Informational  |
| RIP    | Entering RipRedSendBulkReqMsg                                               | Informational  |
| RIP    | RipRedSendBulkReqMsg: RM Memory allocation failed                           | Informational  |
| RIP    | RipRedSendBulkReqMsg: Send message to RM failed                             | Error          |
| RIP    | Exiting RipRedSendBulkReqMsg                                                | Error          |
| RIP    | "Entering RipRedSendBulkDefCxtInfo                                          | Informational  |
| RIP    | RipRedSendBulkDefCxtInfo: RM Memory allocation failed                       | Error          |
| RIP    | RipRedSendBulkDefCxtInfo:Send message to RM failed                          | Error          |
| RIP    | Exiting RipRedSendBulkDefCxtInfo                                            | Informational  |
| RIP    | Entering RipRedSendBulkUpdMsg                                               | Informational  |
| RIP    | RipRedSendBulkUpdMsg:RIP stand by up failure                                | Error          |
| RIP    | Exiting RipRedSendBulkUpdMsg                                                | Informational  |
| RIP    | Entering RipRedSendBulkUpdTlMsg                                             | Informational  |
| RIP    | RipRedSendBulkUpdTlMsg: RM Memory allocation "failed"                       | Error          |
| RIP    | RipRedSendBulkUpdTlMsg:Send message to RM failed                            | Error          |
| RIP    | Exiting RipRedSendBulkUpdTlMsg                                              | Informational  |
| RIP    | Entering RipRedProcessBulkTailMsg                                           | Informational  |
| RIP    | RipRedProcessBulkTailMsg: Bulk Update Tail Message received at Standby node | Informational  |
| RIP    | Exiting RipRedProcessBulkTailMsg                                            | Informational  |
| RIP    | Entering RipRedProcessDynamicRtInfo                                         | Informational  |
| RIP    | Exiting RipRedProcessDynamicRtInfo                                          | Informational  |

**Table 12:** List of Syslogs (Continued) (Sheet 12 of 25)

| Module | Syslog Message                                                               | Severity Level |
|--------|------------------------------------------------------------------------------|----------------|
| RIP    | Entering RipRedProcessDynamicPeerInfo                                        | Informational  |
| RIP    | Exiting RipRedProcessDynamicPeerInfo                                         | Informational  |
| OSPF   | Max LSA limit reached for size                                               | Critical       |
| OSPF   | LSA Alloc Failure                                                            | Critical       |
| OSPF   | DDP Processing Stopped Due To LRQ Alloc Failure                              | Critical       |
| VRRP   | Error Observed for Vrid <vr id > Address Type <type> with reason             | Error          |
| VRRP   | Not Master for VRID %d Address Type                                          | Notice         |
| VRRP   | Track IP address <ip addr> is DOWN                                           | Informational  |
| VRRP   | Track IP address <IP addr> is UP/Restored                                    | Informational  |
| VRRP   | Entering VrrpRedInitGlobalInfo                                               | Informational  |
| VRRP   | VrrpRedInitGlobalInfo: Registration with RM failed                           | Error          |
| VRRP   | Exiting VrrpRedInitGlobalInfo                                                | Informational  |
| VRRP   | Entering VrrpRedDelInitGlobalInfo                                            | Informational  |
| VRRP   | VrrpRedDelInitGlobalInfo: De-Registration with RM failed                     | Error          |
| VRRP   | Exiting VrrpRedDelInitGlobalInfo                                             | Informational  |
| VRRP   | Entering VrrpRedRmCallBack                                                   | Informational  |
| VRRP   | VrrpRedRmCallBack: This event is not associated with RM                      | Informational  |
| VRRP   | VrrpRedRmCallBack: Queue Message associated with the event is not sent by RM | Informational  |
| VRRP   | VrrpRedRmCallBack: Queue message allocation failure                          | Error          |
| VRRP   | VrrpRedRmCallBack: Q send failure                                            | Error          |
| VRRP   | Exiting VrrpRedRmCallBack                                                    | Informational  |
| VRRP   | Entering VrrpRedHandleRmEvents                                               | Informational  |
| VRRP   | VrrpRedHandleRmEvents: Received GO_ACTIVE event                              | Informational  |



**Table 12:** List of Syslogs (Continued) (Sheet 13 of 25)

| Module | Syslog Message                                                                   | Severity Level |
|--------|----------------------------------------------------------------------------------|----------------|
| VRRP   | VrrpRedHandleRmEvents:Received GO_STANDBY event                                  | Informational  |
| VRRP   | VrrpRedHandleRmEvents: Received RM_STANDBY_UP event                              | Informational  |
| VRRP   | VrrpRedHandleRmEvents: Received RM_STANDBY_DOWN event                            | Informational  |
| VRRP   | VrrpRedHandleRmEvents:Received RM_MESSAGE event                                  | Informational  |
| VRRP   | VrrpRedHandleRmEvents: Sync-up message received at Idle Node                     | Informational  |
| VRRP   | VrrpRedHandleRmEvents: Received L2_INITIATE_BULK_UPDATES                         | Informational  |
| VRRP   | VrrpRedHandleRmEvents: Invalid RM event received                                 | Error          |
| VRRP   | Exiting VrrpRedHandleRmEvents                                                    | Informational  |
| VRRP   | Entering VrrpRedHandleGoActive                                                   | Informational  |
| VRRP   | VrrpRedHandleGoActive: GO_ACTIVE event reached when node is already active       | Informational  |
| VRRP   | VrrpRedHandleGoActive: Idle to Active transition                                 | Informational  |
| VRRP   | VrrpRedHandleGoActive: Standby to Active transition                              | Informational  |
| VRRP   | Exiting VrrpRedHandleGoActive                                                    | Informational  |
| VRRP   | Entering VrrpRedHandleGoStandby                                                  | Informational  |
| VRRP   | VrrpRedHandleGoStandby: GO_STANDBY event reached when node is already in standby | Informational  |
| VRRP   | VrrpRedHandleGoStandby: GO_STANDBY event reached when node is already idle       | Informational  |
| VRRP   | VrrpRedHandleGoStandby: Active to Standby transition                             | Informational  |
| VRRP   | Exiting VrrpRedHandleGoStandby                                                   | Informational  |
| VRRP   | Entering VrrpRedHandleIdleToActive                                               | Informational  |

**Table 12:** List of Syslogs (Continued) (Sheet 14 of 25)

| Module | Syslog Message                                                           | Severity Level |
|--------|--------------------------------------------------------------------------|----------------|
| VRRP   | Exiting VrrpRedHandleIdleToActive                                        | Informational  |
| VRRP   | Entering VrrpRedHandleIdleToStandby                                      | Informational  |
| VRRP   | VrrpRedHandleIdleToStandby: Node Status Idle to Standby                  | Informational  |
| VRRP   | Exiting VrrpRedHandleIdleToStandby                                       | Informational  |
| VRRP   | Entering VrrpRedHandleStandbyToActive                                    | Informational  |
| VRRP   | VrrpRedHandleStandbyToActive: Node Status Standby to Active              | Informational  |
| VRRP   | Exiting VrrpRedHandleStandbyToActive                                     | Informational  |
| VRRP   | Entering VrrpRedHandleActiveToStandby                                    | Informational  |
| VRRP   | Exiting VrrpRedRmReleaseMemoryForMsg                                     | Informational  |
| VRRP   | Exiting VrrpRedHandleActiveToStandby                                     | Informational  |
| VRRP   | Entering VrrpRedProcessPeerMsgAtActive                                   | Informational  |
| VRRP   | VrrpRedProcessPeerMsgAtActive: Bulk request message before RM_STANDBY_UP | Informational  |
| VRRP   | Exiting VrrpRedProcessPeerMsgAtActive                                    | Informational  |
| VRRP   | Entering VrrpRedProcessPeerMsgAtStandby                                  | Informational  |
| VRRP   | VrrpRedProcessPeerMsgAtStandby: RM_PROCESS Failure                       | Error          |
| VRRP   | "Exiting VrrpRedProcessPeerMsgAtStandby                                  | Informational  |
| VRRP   | Entering VrrpRedRmReleaseMemoryForMsg                                    | Informational  |
| VRRP   | VrrpRedRmReleaseMemoryForMsg: Failure in releasing allocated memory      | Error          |
| VRRP   | Exiting VrrpRedRmReleaseMemoryForMsg                                     | Informational  |
| VRRP   | Entering VrrpRedSendMsgToRm                                              | Informational  |
| VRRP   | VrrpRedSendMsgToRm: Freememory due to message send failure               | Error          |
| VRRP   | Exiting VrrpRedSendMsgToRm                                               | Informational  |
| VRRP   | Entering VrrpRedSendBulkReqMsg                                           | Informational  |

**Table 12:** List of Syslogs (Continued) (Sheet 15 of 25)

| Module | Syslog Message                                                              | Severity Level |
|--------|-----------------------------------------------------------------------------|----------------|
| VRRP   | VrrpRedSendBulkReqMsg: RM Memory allocation failed                          | Error          |
| VRRP   | VrrpRedSendBulkReqMsg: Send message to RM failed                            | Error          |
| VRRP   | Exiting VrrpRedSendBulkReqMsg                                               | Informational  |
| VRRP   | Entering VrrpRedSendBulkUpdMsg                                              | Informational  |
| VRRP   | VrrpRedSendBulkUpdMsg:VRRP stand by up failure                              | Error          |
| VRRP   | Exiting VrrpRedSendBulkUpdMsg                                               | Informational  |
| VRRP   | Entering VrrpRedSendBulkUpdTlMsg                                            | Informational  |
| VRRP   | VrrpRedSendBulkUpdTlMsg: RM Memory allocation failed                        | Error          |
| VRRP   | VrrpRedSendBulkUpdTlMsg:Send message to RM failed                           | Error          |
| VRRP   | Exiting VrrpRedSendBulkUpdTlMsg                                             | Informational  |
| VRRP   | Entering VrrpRedProcessBulkTlMsg                                            | Informational  |
| VRRP   | VrrpRedProcessBulkTlMsg: Bulk Update Tail Message received at Standby node" | Informational  |
| VRRP   | Exiting VrrpRedProcessBulkTlMsg                                             | Informational  |
| VRRP   | Entering VrrpRedProcessDynamicInfo                                          | Informational  |
| VRRP   | Exiting VrrpRedProcessDynamicInfo                                           | Informational  |
| VRRP   | Entering VrrpRedHwAudit                                                     | Informational  |
| VRRP   | Exiting VrrpRedHwAudit                                                      | Informational  |
| IGMP   | Entering IgmpRedInitGlobalInfo                                              | Informational  |
| IGMP   | IgmpRedInitGlobalInfo: Registration with RM failed                          | Error          |
| IGMP   | Exiting IgmpRedInitGlobalInfo                                               | Informational  |
| IGMP   | Entering IgmpRedRmRegisterProtocols                                         | Informational  |
| IGMP   | IgmpRedRmRegisterProtocols: Registration with RM failed                     | Error          |
| IGMP   | Exiting IgmpRedRmRegisterProtocols                                          | Informational  |

**Table 12:** List of Syslogs (Continued) (Sheet 16 of 25)

| Module | Syslog Message                                                               | Severity Level |
|--------|------------------------------------------------------------------------------|----------------|
| IGMP   | Entering IgmpRedDeInitGlobalInfo                                             | Informational  |
| IGMP   | IgmpRedDeInitGlobalInfo: De-Registration with RM failed                      | Error          |
| IGMP   | Exiting IgmpRedDeInitGlobalInfo                                              | Informational  |
| IGMP   | Entering IgmpRedRmCallBack                                                   | Informational  |
| IGMP   | IgmpRedRmCallBack:This event is not associated with RM                       | Informational  |
| IGMP   | IgmpRedRmCallBack: Queue Message associated with the event is not sent by RM | Informational  |
| IGMP   | IgmpRedRmCallBack: Queue message allocation failure                          | Error          |
| IGMP   | IgmpRedRmCallBack: Q send failure                                            | Error          |
| IGMP   | Exiting IgmpRedRmCallBack                                                    | Informational  |
| IGMP   | Entering IgmpRedHandleRmEvents                                               | Informational  |
| IGMP   | IgmpRedHandleRmEvents: Received GO_ACTIVE event                              | Informational  |
| IGMP   | IgmpRedHandleRmEvents:Received GO_STANDBY event                              | Informational  |
| IGMP   | IgmpRedHandleRmEvents: Received RM_STANDBY_UP event                          | Informational  |
| IGMP   | IgmpRedHandleRmEvents: Received RM_STANDBY_DOWN event                        | Informational  |
| IGMP   | IgmpRedHandleRmEvents:Received RM_MESSAGE event                              | Informational  |
| IGMP   | IgmpRedHandleRmEvents: Sync-up message received at Idle Node                 | Informational  |
| IGMP   | IgmpRedHandleRmEvents: Received L2_INITIATE_BULK_UPDATES                     | Informational  |
| IGMP   | IgmpRedHandleRmEvents: Invalid RM event received                             | Error          |
| IGMP   | Exiting IgmpRedHandleRmEvents                                                | Informational  |

**Table 12:** List of Syslogs (Continued) (Sheet 17 of 25)

| Module | Syslog Message                                                                   | Severity Level |
|--------|----------------------------------------------------------------------------------|----------------|
| IGMP   | Entering IgmpRedHandleGoActive                                                   | Informational  |
| IGMP   | IgmpRedHandleGoActive: GO_ACTIVE event reached when node is already active       | Informational  |
| IGMP   | IgmpRedHandleGoActive: Idle to Active transition                                 | Informational  |
| IGMP   | IgmpRedHandleGoActive: Standby to Active transition                              | Informational  |
| IGMP   | Exiting IgmpRedHandleGoActive                                                    | Informational  |
| IGMP   | Entering IgmpRedHandleGoStandby                                                  | Informational  |
| IGMP   | IgmpRedHandleGoStandby: GO_STANDBY event reached when node is already in standby | Informational  |
| IGMP   | IgmpRedHandleGoStandby: GO_STANDBY event reached when node is already idle       | Informational  |
| IGMP   | IgmpRedHandleGoStandby: Active to Standby transition                             | Informational  |
| IGMP   | Exiting IgmpRedHandleGoStandby                                                   | Informational  |
| IGMP   | IgmpRedHandleGoStandby: Active to Standby transition                             | Informational  |
| IGMP   | Exiting IgmpRedHandleIdleToActive                                                | Informational  |
| IGMP   | Entering IgmpRedHandleIdleToStandby                                              | Informational  |
| IGMP   | IgmpRedHandleIdleToStandby: Node Status Idle to Standby                          | Informational  |
| IGMP   | Exiting IgmpRedHandleIdleToStandby                                               | Informational  |
| IGMP   | Entering IgmpStartTimers                                                         | Informational  |
| IGMP   | Exiting IgmpStartTimers                                                          | Informational  |
| IGMP   | Entering IgmpProxyStartTimers                                                    | Informational  |
| IGMP   | Exiting IgmpProxyStartTimers                                                     | Informational  |
| IGMP   | Entering IgmpRedHandleStandbyToActive                                            | Informational  |
| IGMP   | IgmpRedHandleStandbyToActive: Node Status Standby to Active                      | Informational  |
| IGMP   | Exiting IgmpRedHandleStandbyToActive                                             | Informational  |

**Table 12:** List of Syslogs (Continued) (Sheet 18 of 25)

| Module | Syslog Message                                                           | Severity Level |
|--------|--------------------------------------------------------------------------|----------------|
| IGMP   | Entering IgmpRedHandleActiveToStandby                                    | Informational  |
| IGMP   | IgmpRedHandleActiveToStandby: Node Status Active to Standby              | Informational  |
| IGMP   | Exiting IgmpRedHandleActiveToStandby                                     | Informational  |
| IGMP   | Entering IgmpRedProcessPeerMsgAtActive                                   | Informational  |
| IGMP   | IgmpRedProcessPeerMsgAtActive: Bulk request message before RM_STANDBY_UP | Informational  |
| IGMP   | Exiting IgmpRedProcessPeerMsgAtActive                                    | Informational  |
| IGMP   | Entering IgmpRedProcessPeerMsgAtStandby                                  | Informational  |
| IGMP   | IgmpRedProcessPeerMsgAtStandby: RM_PROCESS Failure                       | Error          |
| IGMP   | Exiting IgmpRedProcessPeerMsgAtStandby                                   | Informational  |
| IGMP   | Entering IgmpRedRmReleaseMemoryForMsg                                    | Informational  |
| IGMP   | IgmpRedRmReleaseMemoryForMsg: Failure in releasing allocated memory      | Error          |
| IGMP   | Exiting IgmpRedRmReleaseMemoryForMsg                                     | Informational  |
| IGMP   | Entering IgmpRedSendMsgToRm                                              | Informational  |
| IGMP   | IgmpRedSendMsgToRm: Freememory due to message send failure               | Error          |
| IGMP   | Exiting IgmpRedSendMsgToRm                                               | Informational  |
| IGMP   | Entering IgmpRedSendBulkReqMsg                                           | Informational  |
| IGMP   | IgmpRedSendBulkReqMsg: RM Memory allocation failed                       | Error          |
| IGMP   | IgmpRedSendBulkReqMsg: Send message to RM failed                         | Error          |
| IGMP   | Exiting IgmpRedSendBulkReqMsg                                            | Informational  |
| IGMP   | Entering IgmpRedSendBulkUpdMsg                                           | Informational  |
| IGMP   | IgmpRedSendBulkUpdMsg: IGMP stand by up failure                          | Error          |
| IGMP   | Exiting IgmpRedSendBulkUpdMsg                                            | Informational  |
| IGMP   | Entering IgmpRedSendBulkUpdTlMsg"                                        | Informational  |

**Table 12:** List of Syslogs (Continued) (Sheet 19 of 25)

| Module | Syslog Message                                                               | Severity Level |
|--------|------------------------------------------------------------------------------|----------------|
| IGMP   | IgmpRedSendBulkUpdTaiMsg: RM Memory allocation failed                        | Error          |
| IGMP   | IgmpRedSendBulkReqMsg: Send message to RM failed                             | Error          |
| IGMP   | Exiting IgmpRedSendBulkUpdTaiMsg                                             | Informational  |
| IGMP   | Entering IgmpRedProcessBulkTailMsg                                           | Informational  |
| IGMP   | IgmpRedProcessBulkTailMsg: Bulk Update Tail Message received at Standby node | Informational  |
| IGMP   | Exiting IgmpRedProcessBulkTailMsg                                            | Informational  |
| IGMP   | Summarised GroupList Record already exists                                   | Error          |
| IGMP   | Entering IgmpMatchGroupList                                                  | Informational  |
| IGMP   | Exiting IgmpMatchGroupList                                                   | Informational  |
| IGMP   | Entering IgmpCheckForLimit                                                   | Informational  |
| IGMP   | Membership report for group <address> is ignored as Global Limit Reached     | Error          |
| IGMP   | Membership report for group <address> is ignored as Interface Limit Reached  | Error          |
| IGMP   | Exiting IgmpCheckForLimit                                                    | Informational  |
| IGMP   | Entering IgmpMgmtUtilNmhTestv2FslgmpInterfaceGroupListId                     | Informational  |
| IGMP   | Interfacenode not exist with ifindex                                         | Error          |
| IGMP   | Exiting IgmpMgmtUtilNmhTestv2FslgmpInterfaceGroupListId                      | Informational  |
| IGMP   | Interfacenode not exist with ifindex                                         | Error          |
| IGMP   | Limit should be less than <value>                                            | Error          |
| IGMP   | Group List Id should not be zero                                             | Error          |
| IGMP   | Group List IP is not in multicast range                                      | Error          |
| IGMP   | Inconsistent maks is not in multicast range                                  | Error          |

**Table 12:** List of Syslogs (Continued) (Sheet 20 of 25)

| Module      | Syslog Message                                                                                  | Severity Level |
|-------------|-------------------------------------------------------------------------------------------------|----------------|
| IGMP        | Entry exists                                                                                    | Error          |
| IGMP        | Summarised GroupList Record already exists                                                      | Error          |
| IGMP        | No entry exists with<br><grpListID>,<grpIP>,<PrefixLen>                                         | Error          |
| IGMP        | Limit should be less than<br>MAX_IGMP_MCAST_GRP                                                 | Error          |
| IGMP        | Igmp not enabled globally                                                                       | Error          |
| IGMP        | IGMP SSM Mapping should be globally enabled                                                     | Error          |
| IGMP        | Invalid IGMP SSM Mapping Start Group address                                                    | Error          |
| IGMP        | Invalid IGMP SSM Mapping End Group address                                                      | Error          |
| IGMP        | Invalid IGMP SSM Mapping Source address                                                         | Error          |
| <b>IGMP</b> | <b>Starting multicast group range is greater than ending multicast group range</b>              | <b>Error</b>   |
| IGMP        | IGMP SSM Mapping for the given range of group address is a superset of already configured range | Error          |
| IGMP        | IGMP SSM Mapping for the given range of group address to the source address already exists      | Error          |
| IGMP        | IGMP SSM Mapping Source-List is full for the given range of group address                       | Error          |
| IGMP        | IGMP SSM Mapping for the given range of group address overlaps with already configured range    | Error          |
| IGMP        | IGMP SSM Mapping for the given range of group address overlaps with already configured range    | Error          |
| IGMP        | IGMP SSM Mapping for the given range of group address to the source address does not exist      | Error          |
| Watchdog    | Reading status of <taskname> as NOT ACTIVE                                                      | Alert          |
| Watchdog    | Generating core dump                                                                            | Alert          |
| Watchdog    | Timer expired but associated registered task does NOT exist                                     | Alert          |
| Snooping    | Memory allocation for group entry failed                                                        | Critical       |
| Snooping    | [NP-FAULT]                                                                                      | Alert          |



**Table 12:** List of Syslogs (Continued) (Sheet 21 of 25)

| Module         | Syslog Message                                                  | Severity Level |
|----------------|-----------------------------------------------------------------|----------------|
| Snooping       | Memory alloc for ASM Host entry failed                          | Critical       |
| Snooping       | Memory allocation for port entry for group failed               | Critical       |
| Snooping       | Memory alloc for Host entry for group failed                    | Critical       |
| Snooping       | [NP-FAULT]                                                      | Alert          |
| Snooping       | Memory allocation for group entry failed                        | Critical       |
| Snooping       | Memory alloc for ASM Host entry failed                          | Critical       |
| Snooping       | Memory allocation for port entry for group failed               | Critical       |
| Snooping       | Memory alloc for ASM Host entry failed                          | Critical       |
| Snooping       | Memory alloc for Host entry for group failed                    | Critical       |
| Snooping       | Memory allocation for SSM host source bitmap failed             | Critical       |
| Snooping       | Memory allocation for SSM port entry for group failed           | Critical       |
| Snooping       | Memory allocation for SSM port source bitmap failed             | Critical       |
| Snooping       | Memory allocation for Host entry for group failed               | Critical       |
| Snooping       | Memory allocation for SSM host source bitmap failed             | Critical       |
| Snooping       | Memory allocation for consolidated group entry failed           | Critical       |
| Opensource/SSH | Failed to Establish Connection with client,max session exceeded | Alert          |
| Opensource/SSH | Bad protocol version identification                             | Alert          |
| Opensource/SSH | SSL ssl23_read_bytes: No data or Invalid data/port from <IP>    | Alert          |
| CFA2           | CFA updated status to watchdog as ACTIVE Failed                 | Alert          |
| CFA2           | <intf> Link Status [DOWN/UP]                                    | Alert          |
| CFA2           | IP Address change in Default vlan interface                     | Notice         |
| System         | Physical Index Validation Failed                                | Critical       |
| System         | Physical Contained In Get Operation Failed                      | Critical       |

**Table 12:** List of Syslogs (Continued) (Sheet 22 of 25)

| <b>Module</b> | <b>Syslog Message</b>                                       | <b>Severity Level</b> |
|---------------|-------------------------------------------------------------|-----------------------|
| System        | Physical Class Get Operation Failed                         | Critical              |
| System        | Physical Parent Relative Position Get Operation Failed      | Critical              |
| System        | Physical Name Get Operation Failed                          | Critical              |
| System        | Physical Hardware Revision Get Operation Failed             | Critical              |
| System        | Physical Firmware Revision Get Operation Failed             | Critical              |
| System        | Physical Software Revision Get Operation Failed             | Critical              |
| System        | Physical Serial Number Get Operation Failed                 | Critical              |
| System        | Physical component Manufacturer's Name Get Operation Failed | Critical              |
| System        | Physical component's Model Name Get Operation Failed        | Critical              |
| System        | Physical component's Alias Name Get Operation Failed        | Critical              |
| System        | Physical component's Asset Id Get Operation Failed          | Critical              |
| System        | Physical component's FRU status Get Operation Failed        | Critical              |
| System        | Physical component's Mfg Date Get Operation Failed          | Critical              |
| System        | Physical component's Uris Name Get Operation Failed         | Critical              |
| System        | Physical component's Serial Num Set Operation Failed        | Critical              |
| System        | Physical component's Serial Number Set Operation Failed     | Critical              |
| System        | Physical component's Alias Name Set Operation Failed        | Critical              |
| System        | Physical component's Asset Id Set Operation Failed          | Critical              |
| System        | Physical component's Uris Id Set Operation Failed           | Critical              |
| System        | Logical Index Validation Failed                             | Critical              |

**Table 12:** List of Syslogs (Continued) (Sheet 23 of 25)

| Module | Syslog Message                                                    | Severity Level |
|--------|-------------------------------------------------------------------|----------------|
| System | Logical Component's Community Get Operation Failed                | Critical       |
| System | Logical Component's Context Name Get Operation Failed             | Critical       |
| System | LP Mapping Validation Failed                                      | Critical       |
| System | Alias Mapping Validation Failed                                   | Critical       |
| System | Physical Contains Table validation Failed                         | Critical       |
| System | Firmware upgrade successful ..                                    | Notice         |
| System | Saved configuration to USB successfully!                          | Informational  |
| System | Firmware upgrade successful ..                                    | Notice         |
| System | Firmware switch partition cancelled..!                            | Debug          |
| System | Firmware switch partition successful                              | Notice         |
| System | Factory reset cancelled.                                          | Debug          |
| System | Factory reset initiated..                                         | Debug          |
| System | Factory reset Failed.                                             | Debug          |
| System | Factory reset users cancelled.                                    | Debug          |
| System | Factory reset users initiated.                                    | Debug          |
| System | Factory reset users Failed.                                       | Debug          |
| System | Reload operation cancelled                                        | Debug          |
| System | Saved configuration to FLASH successfully                         | Informational  |
| System | Saved configuration to remote(TFTP) successfully                  | Informational  |
| System | Saved configuration to remote(SFTP) successfully!                 | Informational  |
| System | Firmware upgrade successful                                       | Notice         |
| CLI    | Attempt to login as <user details> via telnet from <IP> Succeeded | Alert          |
| CLI    | Attempt to login as <user name> via console Succeeded             | Alert          |
| CLI    | User <username> logged in via <CLI_mode>                          | Informational  |

**Table 12:** List of Syslogs (Continued) (Sheet 24 of 25)

| Module | Syslog Message                                                                     | Severity Level |
|--------|------------------------------------------------------------------------------------|----------------|
| CLI    | User <user name> <IP> <cli_mode>logged out from                                    | Informational  |
| CLI    | User <user name> <IP> <cli_mode> forcefully logged out from                        | Informational  |
| CLI    | Password expired for user <username>                                               | Alert          |
| CLI    | Password credentials updated successfully for User <username>                      | Alert          |
| CLI    | Password must be reset for user <user name>                                        | Alert          |
| CLI    | Attempt to login as <username > via telnet <IP>                                    | Alert          |
| CLI    | Attempt to login as <username > via SSH <IP>                                       | Alert          |
| CLI    | Attempt to block the user <username> failed                                        | Alert          |
| CLI    | Attempt to login as <username> via console failed                                  | Alert          |
| CLI    | Login failed : Login incorrect <username> via <CLI_mode> <IP>                      | Informational  |
| CLI    | All CLI commands                                                                   | Debug          |
| FSAP2  | Displaying ISS status                                                              | Critical       |
| FSAP2  | Displaying error reason                                                            | Critical       |
| FSAP2  | Displaying MempoolErr ID                                                           | Critical       |
| FSAP2  | Displaying MempoolErr ID owner                                                     | Critical       |
| TCP    | No MD5 digest from <srcAddr,port> to <DstAddr,port>                                | Informational  |
| TCP    | Bad MD5 digest from <srcAddr,port> to <DstAddr,port>                               | Informational  |
| TCP    | Multiple TCP-AO option in one segment from <srcAddr,port> to <DstAddr,port>        | Informational  |
| TCP    | TCP-AO & TCP MD5 option in one segment from <srcAddr,port> to <DstAddr,port>       | Informational  |
| TCP    | TCP-AO MAC from <srcAddr,port> to <DstAddr,port> No MKT Match Discard Packet       | Informational  |
| TCP    | TCP-AO not expected but found, silent accept from <srcAddr,port> to <DstAddr,port> | Informational  |

**Table 12:** List of Syslogs (Continued) (Sheet 25 of 25)

| Module | Syslog Message                                                                                             | Severity Level |
|--------|------------------------------------------------------------------------------------------------------------|----------------|
| TCP    | No TCP-AO MAC from <srcAddr,port> to <DstAddr,port>                                                        | Informational  |
| TCP    | TCP-AO MAC MKT mismatch from <srcAddr,port> to <DstAddr,port>                                              | Informational  |
| TCP    | Bad TCP-AO MAC from <srcAddr,port> to <DstAddr,port>                                                       | Informational  |
| TCP    | Connection attempt to closed/non-active TCP port. Possible Replay attack. <srcAddr,port> to <DstAddr,port> | Warning        |
| TCP    | Invalid segment of data received Possible Replay attack. <srcAddr,port> to <DstAddr,port>                  | Warning        |
| SNMP   | SNMP <user index> [BULK GET SET GETNEXT] <OID> <Value> [SUCCESS FAILED]                                    | Debug          |
| SNMP   | Failure messages                                                                                           | Debug          |
| SSH    | SSH: <priority> <sshLogLevel> <function> <buffer>                                                          | Debug          |

## 12.25. logging

To enable the Syslog server and configure Syslog related parameters, use the command **logging** in Global Configuration Mode. The no form of the command disables syslog server and resets the configured parameters. The existing syslog buffers will not be cleared and none of the configured options will be changed, when the Syslog feature is disabled.

The logging process controls the distribution of logging messages to the various destinations, such as the logging buffer, logging file, or Syslog server.

The log file is stored in ASCII text format. The Privileged EXEC command is used to display its contents.

### logging

```
logging {console
 | facility {local0 | local2 | local3 | local4 | local5 | local6 | local7} |
 local {buffered <buffer size integer (1-4096)> | {flash {alerts | critical |
 debugging | emergencies | errors | informational | notification | warnings}
 file <file name string (32)>}
 | on
```

```
| remote {alerts | critical | debugging | emergencies | errors | informa-
tional | notification | warnings} {<dns_host_name> | ipv4 <uicast_addr> |
ipv6 <ipv6_addr>} [port < integer(1-65535) >] [{ udp | tcp | beep | tls }]
| severity [<level value (0-7)>] [alerts] [critical] [debugging] [emergen-
cies] [errors] [informational] [notification] [warnings]}
```

**no logging**

```
no logging {buffered | console | facility | local | on | remote | severity}
```

## Parameters

| Parameter                              | Type    | Description                                                                                                                                                                                                                                                                                                                                                                                                                     |
|----------------------------------------|---------|---------------------------------------------------------------------------------------------------------------------------------------------------------------------------------------------------------------------------------------------------------------------------------------------------------------------------------------------------------------------------------------------------------------------------------|
| console                                |         | Enter to enable Syslog server and configure the Syslog server IP address, the log-level and other Syslog related parameters.                                                                                                                                                                                                                                                                                                    |
| facility                               |         | Enter to configure facility code level. Messages with different facilities can be handled differently. There are total of 8 facility levels ranging between local0 and local7. Each facility level has a value assigned to it—local0 (128), local1 (136), local2 (144), local3(152), local4(160), local5(168), local6(176), and local7 (184). The idea of the facility level configuration is to differentiate and filter logs. |
| local0                                 |         | Enter to have facility is set as local0. Default facility level is local0.                                                                                                                                                                                                                                                                                                                                                      |
| local1                                 |         | Enter to have facility is set as local1.                                                                                                                                                                                                                                                                                                                                                                                        |
| local2                                 |         | Enter to have facility is set as local2.                                                                                                                                                                                                                                                                                                                                                                                        |
| local3                                 |         | Enter to have facility is set as local3.                                                                                                                                                                                                                                                                                                                                                                                        |
| local4                                 |         | Enter to have facility is set as local4.                                                                                                                                                                                                                                                                                                                                                                                        |
| local5                                 |         | Enter to have facility is set as local5.                                                                                                                                                                                                                                                                                                                                                                                        |
| local6                                 |         | Enter to have facility is set as local6.                                                                                                                                                                                                                                                                                                                                                                                        |
| local7                                 |         | Enter to have facility is set as local7.                                                                                                                                                                                                                                                                                                                                                                                        |
| <file size<br>integer<br>(1-10)>       | Integer | Enter a number for the maximum size (in MB) of the log file.                                                                                                                                                                                                                                                                                                                                                                    |
| local                                  |         | Enter to enable local logging.                                                                                                                                                                                                                                                                                                                                                                                                  |
| buffered                               |         | Enter to configure the limit for the Syslog messages displayed from an internal buffer.                                                                                                                                                                                                                                                                                                                                         |
| <buffer<br>size<br>integer<br>1-4096)> |         | Enter a number of entries for buffer size. The default size is 200 entries.                                                                                                                                                                                                                                                                                                                                                     |
| flash                                  |         | Enter to enable local logging. The severity is as follows.                                                                                                                                                                                                                                                                                                                                                                      |
| alerts                                 |         | Enter to configure logging when immediate action must be taken. For example, a condition that should be corrected immediately, such as a corrupted system database.                                                                                                                                                                                                                                                             |
| critical                               |         | Enter to configure logging for Critical conditions. For example, hard device errors.                                                                                                                                                                                                                                                                                                                                            |

| Parameter                   | Type           | Description                                                                                                                                                  |
|-----------------------------|----------------|--------------------------------------------------------------------------------------------------------------------------------------------------------------|
| debugging                   |                | Enter to configure logging of Debug-level messages. For example, messages that contain information normally of use only when debugging a program             |
| emergencies                 |                | Enter to configure logging of panic conditions e.g. unstable system.                                                                                         |
| errors                      |                | Enter to configure logging of error conditions. This can be any error condition happened in the system operation.                                            |
| informational               |                | Enter to configure logging of informational messages.                                                                                                        |
| notification                |                | Enter to configure logging of normal but significant messages. Examples are conditions that are not error conditions, but that may require special handling. |
| warnings                    |                | Enter to configure logging of warning conditions. For example, any specified abnormalities happening in the system operation.                                |
| file                        |                | Enter to configure the flash file name.                                                                                                                      |
| <file name string (32)      | String         | Enter a flash file name. This is a string value with a maximum size as 32.                                                                                   |
| on                          |                | Enter to enable Syslog server and the Syslog server IP address, the log-level and other Syslog related parameters.                                           |
| remote                      |                | Enter to enable remote logging.                                                                                                                              |
| <dns_host_name>             |                | Enter a host domain name.                                                                                                                                    |
| ipv4                        |                | Enter to configure an IPv4 address                                                                                                                           |
| <ucast_addr >               | A.B.C.D        | Enter an IPv4 address                                                                                                                                        |
| ipv6                        |                | Enter to configure an IPv4 address                                                                                                                           |
| <ucast_addr >               | AAAA::B<br>BBB | Enter an IPv6 address                                                                                                                                        |
| severity                    |                | Enter to configure severity for the messages.                                                                                                                |
| <level value integer (0-7)> | Integer        | Enter a number for severity level.                                                                                                                           |
| port                        | Integer        | The port range can be 1 - 65535.                                                                                                                             |



| Parameter          | Type | Description                                         |
|--------------------|------|-----------------------------------------------------|
| {udp tcp beep tls} |      | Transport mode is set to either udp, tcp, beep, TLS |

## Mode

Global Configuration Mode

## Examples

```
i5Comm(config)# logging local buffered 200
```

```
i5Comm(config)# logging facility local1
```

```
i5Comm(config)# logging remote alerts ipv4 192.168.20.77 port 15010 tls
```

```
i5Comm(config)# no logging remote alerts ipv4 192.168.20.77
```

```
i5Comm(config)# logging remote alerts ipv4 192.168.20.77 tls
```

## 12.26. syslog format

This command sets the format of Syslog to either RFC3164 or RFC5424.

### syslog format

```
syslog format { rfc3164 | rfc5424 }
```

### Parameters

| Parameter | Type | Description                                                                  |
|-----------|------|------------------------------------------------------------------------------|
| rfc3164   |      | RFC3164 is the old format and the default mode.                              |
| rfc5424   |      | RFC5424 is the advanced format with high precision timings and extra fields. |

## Mode

Global Configuration Mode

## Examples

```
i5Comm(config)# syslog format rfc5424
```

**NOTE:** Changing the syslog format will erase the local/remote logging configurations. If the syslog format is changed, the following message will appear.

```
Reconfiguring syslog format ...
Done!
```

**NOTE:** Now Syslog supports host name and Msg ID (for rfc5424).

### Example 1 - Local logging with format rfc3164

```
LogBuffer(21 Entries, 21672 bytes)
<129>Feb 13 06:13:40 lower-mid ISS: CFA vlan1 Link Status [DOWN]
<129>Feb 13 06:13:40 lower-mid ISS: CFA Se0/17 Admin Status [UP]
<129>Feb 13 06:13:40 lower-mid ISS: CFA Se0/18 Admin Status [UP]
<129>Feb 13 06:13:40 lower-mid ISS: CFA Se0/19 Admin Status [UP]
<129>Feb 13 06:13:40 lower-mid ISS: CFA Se0/20 Admin Status [UP]
<130>Feb 13 06:13:40 lower-mid ISS: MRPRING role MRM got <MRA => MRM>
<130>Feb 13 06:13:40 lower-mid ISS: MRPRING Port 4: state changed to Blocking
```

#### Fields Description

- <129>—Priority
- Feb 13 06:13:40—Timestamp
- lower-mid—Hostname
- ISS—MSG (Tag)
- CFA vlan1 Link Status [Down]—MSG (Content)

```
<134>Oct 19 15:30:44 MymachineSw3 ISS: MSR Saved configuration to Flash successfully!
<129>Oct 19 15:31:00 MymachineSw3 ISS: NPAPI Slot0/2 Link Status [DOWN]
<129>Oct 19 15:31:00 MymachineSw3 ISS: CFA vlan99 Link Status [DOWN]
<130>Oct 19 15:31:00 MymachineSw3 ISS: OSPF NSM Nbr 10.10.10.2.0 Next State: DOWN
<133>Oct 19 15:31:03 MymachineSw3 ISS: VRRP New Master 192.168.11.2 Elected for VRID 11 Address Type 1. Reason: Master No Response
<133>Oct 19 15:31:03 MymachineSw3 ISS: VRRP New Master 192.168.12.2 Elected for VRID 12 Address Type 1. Reason: Master No Response
<133>Oct 19 15:31:03 MymachineSw3 ISS: VRRP New Master 192.168.13.2 Elected for VRID 13 Address Type 1. Reason: Master No Response
<133>Oct 19 15:31:03 MymachineSw3 ISS: VRRP New Master 192.168.14.2 Elected for VRID 14 Address Type 1. Reason: Master No Response
<133>Oct 19 15:31:03 MymachineSw3 ISS: VRRP New Master 192.168.15.2 Elected for VRID 15 Address Type 1. Reason: Master No Response
<129>Oct 19 15:31:04 MymachineSw3 ISS: NPAPI Slot0/2 Link Status [UP]
<129>Oct 19 15:31:04 MymachineSw3 ISS: CFA vlan99 Link Status [UP]
Switch-2#
```

### Example 2 - Local logging with format rfc5424

```
<129>Feb 13 06:18:08 lower-mid ISS: WEB WEBNM: Successfully logged as User - admin from 192.168.10.101
<130>1 2070-02-13T06:39:41.813382-04:00 lower-mid ISS 2142 MRPRING - MRPRING Port 1: state changed to Blocking
<130>1 2070-02-13T06:39:41.813977-04:00 lower-mid ISS 2142 MRPRING - MRPRING Ring status changed to Open
<129>1 2070-02-13T06:39:41.815225-04:00 lower-mid ISS 2142 NPAPI - NPAPI Slot0/1 Link Status [DOWN]
<129>1 2070-02-13T06:39:41.818029-04:00 lower-mid ISS 2142 CFA - CFA vlan1 Link Status [DOWN]
<129>1 2070-02-13T06:39:46.801125-04:00 lower-mid ISS 2142 NPAPI - NPAPI Slot0/1 Link Status [UP]
<130>1 2070-02-13T06:39:46.805278-04:00 lower-mid ISS 2142 MRPRING - MRPRING Ring status changed to Closed
<129>1 2070-02-13T06:39:46.809367-04:00 lower-mid ISS 2142 CFA - CFA vlan1 Link Status [UP]
<130>1 2070-02-13T06:39:46.874892-04:00 lower-mid ISS 2142 MRPRING - MRPRING Port 1: state changed to Forwarding
<130>1 2070-02-13T06:39:46.875054-04:00 lower-mid ISS 2142 MRPRING - MRPRING Ring status changed to Open
Lower-mid#
```

#### Fields Description

- <130>—Priority
- 1—Version
- 2070-02-13T06:39:41.813382-04:00—Timestamp

CHAPTER 12

- **lower-mid**—Hostname
- **ISS**—AppName
- **2142**—Proc ID
- **MRPRING**—Msg ID
- **-**—Proc ID
- **MRPRING Port 1: state changed to Blocking**—Message

Example 3 - Remote logging with format rfc3164

| No. | Time     | Source       | Destination    | Protocol | Length | Info                                                                               |
|-----|----------|--------------|----------------|----------|--------|------------------------------------------------------------------------------------|
| 141 | 2.760968 | 192.168.10.1 | 192.168.10.101 | SysLog   | 117    | LOCAL0.INFO: Feb 13 06:51:30 lower-mid ISS: CLI User admin logged out from console |
| 395 | 7.782891 | 192.168.10.1 | 192.168.10.101 | SysLog   | 115    | LOCAL0.INFO: Feb 13 06:51:35 lower-mid ISS: CLI User admin logged in via console   |

Fields Description

- **LOCAL0.INFO**—Priority
- **Feb 13 06:51:30**—Timestamp
- **lower-mid**—Hostname
- **ISS**—MSG (Tag)
- **CLI User admin logged out from console**—MSG(Content)

|        |             |              |               |        |     |                                                                                                                                              |
|--------|-------------|--------------|---------------|--------|-----|----------------------------------------------------------------------------------------------------------------------------------------------|
| 14091. | 245405.558. | 192.168.16.3 | 192.168.16.75 | Syslog | 115 | LOCAL0.INFO: Oct 19 10:55:51 MymachineSw3 ISS: AUDIT : admin c t SUCCESS CONSOLE                                                             |
| 14093. | 245436.165. | 192.168.16.3 | 192.168.16.75 | Syslog | 122 | LOCAL0.INFO: Oct 19 10:55:21 MymachineSw3 ISS: AUDIT : admin int gl 0/2 SUCCESS CONSOLE                                                      |
| 14093. | 245437.315. | 192.168.16.3 | 192.168.16.75 | Syslog | 113 | LOCAL0.ALERT: Oct 19 10:55:23 MymachineSw3 ISS: NPAPI Slot0/2 Link Status [DOWN]                                                             |
| 14093. | 245437.326. | 192.168.16.3 | 192.168.16.75 | Syslog | 110 | LOCAL0.ALERT: Oct 19 10:55:23 MymachineSw3 ISS: CFA vlan99 Link Status [DOWN]                                                                |
| 14093. | 245437.373. | 192.168.16.3 | 192.168.16.75 | Syslog | 123 | LOCAL0.CRIT: Oct 19 10:55:23 MymachineSw3 ISS: OSPF NSM Nbr 10.10.10.2.0 Next State: DOWN                                                    |
| 14093. | 245437.436. | 192.168.16.3 | 192.168.16.75 | Syslog | 115 | LOCAL0.INFO: Oct 19 10:55:23 MymachineSw3 ISS: AUDIT : admin shu SUCCESS CONSOLE                                                             |
| 14093. | 245439.728. | 192.168.16.3 | 192.168.16.75 | Syslog | 172 | LOCAL0.NOTICE: Oct 19 10:55:25 MymachineSw3 ISS: VRRP New Master 192.168.11.2 Elected for VRID 11 Address Type 1. Reason: Master No Response |
| 14093. | 245439.736. | 192.168.16.3 | 192.168.16.75 | Syslog | 172 | LOCAL0.NOTICE: Oct 19 10:55:25 MymachineSw3 ISS: VRRP New Master 192.168.12.2 Elected for VRID 12 Address Type 1. Reason: Master No Response |
| 14093. | 245439.745. | 192.168.16.3 | 192.168.16.75 | Syslog | 172 | LOCAL0.NOTICE: Oct 19 10:55:25 MymachineSw3 ISS: VRRP New Master 192.168.13.2 Elected for VRID 13 Address Type 1. Reason: Master No Response |
| 14093. | 245439.757. | 192.168.16.3 | 192.168.16.75 | Syslog | 172 | LOCAL0.NOTICE: Oct 19 10:55:25 MymachineSw3 ISS: VRRP New Master 192.168.14.2 Elected for VRID 14 Address Type 1. Reason: Master No Response |
| 14093. | 245439.765. | 192.168.16.3 | 192.168.16.75 | Syslog | 172 | LOCAL0.NOTICE: Oct 19 10:55:25 MymachineSw3 ISS: VRRP New Master 192.168.15.2 Elected for VRID 15 Address Type 1. Reason: Master No Response |
| 14093. | 245446.227. | 192.168.16.3 | 192.168.16.75 | Syslog | 117 | LOCAL0.INFO: Oct 19 10:55:31 MymachineSw3 ISS: AUDIT : admin no sh SUCCESS CONSOLE                                                           |
| 14093. | 245446.909. | 192.168.16.3 | 192.168.16.75 | Syslog | 115 | LOCAL0.INFO: Oct 19 10:55:32 MymachineSw3 ISS: AUDIT : admin end SUCCESS CONSOLE                                                             |
| 14093. | 245448.598. | 192.168.16.3 | 192.168.16.75 | Syslog | 111 | LOCAL0.ALERT: Oct 19 10:55:34 MymachineSw3 ISS: NPAPI Slot0/2 Link Status [UP]                                                               |
| 14093. | 245448.634. | 192.168.16.3 | 192.168.16.75 | Syslog | 108 | LOCAL0.ALERT: Oct 19 10:55:34 MymachineSw3 ISS: CFA vlan99 Link Status [UP]                                                                  |
| 14093. | 245451.075. | 192.168.16.3 | 192.168.16.75 | Syslog | 163 | LOCAL0.NOTICE: Oct 19 10:55:37 MymachineSw3 ISS: VRRP New Master 192.168.11.1 Elected for VRID 11 Address Type 1. Reason: Preempted          |
| 14093. | 245451.689. | 192.168.16.3 | 192.168.16.75 | Syslog | 163 | LOCAL0.NOTICE: Oct 19 10:55:37 MymachineSw3 ISS: VRRP New Master 192.168.12.2 Elected for VRID 12 Address Type 1. Reason: Preempted          |
| 14093. | 245451.694. | 192.168.16.3 | 192.168.16.75 | Syslog | 163 | LOCAL0.NOTICE: Oct 19 10:55:37 MymachineSw3 ISS: VRRP New Master 192.168.13.2 Elected for VRID 13 Address Type 1. Reason: Preempted          |
| 14093. | 245451.701. | 192.168.16.3 | 192.168.16.75 | Syslog | 163 | LOCAL0.NOTICE: Oct 19 10:55:37 MymachineSw3 ISS: VRRP New Master 192.168.14.2 Elected for VRID 14 Address Type 1. Reason: Preempted          |
| 14093. | 245451.718. | 192.168.16.3 | 192.168.16.75 | Syslog | 163 | LOCAL0.NOTICE: Oct 19 10:55:37 MymachineSw3 ISS: VRRP New Master 192.168.15.2 Elected for VRID 15 Address Type 1. Reason: Preempted          |
| 14093. | 245456.661. | 192.168.16.3 | 192.168.16.75 | Syslog | 123 | LOCAL0.CRIT: Oct 19 10:55:42 MymachineSw3 ISS: OSPF NSM Nbr 10.10.10.2.0 Next State: INIT                                                    |
| 14093. | 245456.661. | 192.168.16.3 | 192.168.16.75 | Syslog | 123 | LOCAL0.CRIT: Oct 19 10:55:42 MymachineSw3 ISS: OSPF NSM Nbr 10.10.10.2.0 Next State: 2WAY                                                    |
| 14095. | 245488.658. | 192.168.16.3 | 192.168.16.75 | Syslog | 126 | LOCAL0.CRIT: Oct 19 10:56:14 MymachineSw3 ISS: OSPF NSM Nbr 10.10.10.2.0 Next State: EXSTART                                                 |

```

8100 = Version: 4
... 0101 = Header Length: 20 bytes (5)
> Differentiated Services Field: 0x00 (DSCP: CS0, ECN: Not-ECT)
Total Length: 149
Identification: 0x004e (96654)
> Flags: 0x4000, Don't Fragment
Time to live: 64
Protocol: UDP (17)
Header checksum: 0xb0b0 (validation disabled)
[Header checksum status: Unverified]
Source: 192.168.16.3
Destination: 192.168.16.75
User Datagram Protocol, Src Port: 36847, Dst Port: 514
Source Port: 36847
Destination Port: 514
Length: 129
Checksum: 0x5a99 (unverified)
[Checksum Status: Unverified]
[Stream Index: 641]
v [Timestamps]
[Time since first frame: 11.901842000 seconds]
[Time since previous frame: 0.000133000 seconds]
Syslog message: LOCAL0.NOTICE: Oct 19 10:55:37 MymachineSw3 ISS: VRRP New Master 192.168.15.2 Elected for VRID 15 Address Type 1. Reason: Preempted
00 10 4b 8f ef 02 02 00 01 5a 99 3c 31 33 33 3e 4f 2<133>0
00 63 74 20 31 39 20 31 30 3a 35 35 3a 33 37 20 10 ct 19 10 :55:37
00 10 4b 8f ef 02 02 00 01 5a 99 3c 31 33 33 3e 4f 2<133>0
00 20 56 52 52 50 20 4e 65 77 20 40 61 73 74 65 72 VRRP Ne w Master
00 20 31 39 32 2e 31 36 38 2e 31 35 2e 32 20 45 6c 192.168 .15.2 E1
00 65 63 74 65 64 20 66 6f 72 20 56 52 49 44 20 31 ected fo r VRID 1
00 35 20 41 64 64 72 65 73 73 20 54 79 70 65 20 31 S Address s Type 1
00 2e 20 52 65 61 73 6f 6e 3a 20 50 72 65 65 6d 70 . Reason : Preemp
00 74 65 64 ted

```

Example 4 - Remote logging with format rfc5424

|      |           |              |                |        |     |                                                                                                                 |
|------|-----------|--------------|----------------|--------|-----|-----------------------------------------------------------------------------------------------------------------|
| 1402 | 26.752480 | 192.168.10.1 | 192.168.10.101 | SysLog | 147 | LOCAL0.INFO: 1 2070-02-13T06:56:51.483743-04:00 lower-mid ISS 2142 CLI - CLI User admin logged out from console |
| 1796 | 34.591200 | 192.168.10.1 | 192.168.10.101 | SysLog | 145 | LOCAL0.INFO: 1 2070-02-13T06:56:59.323109-04:00 lower-mid ISS 2142 CLI - CLI User admin logged in via console   |

Fields Description

- **LOCAL0.INFO**—Priority (facility + severity)
- **1**—Version

- **2070-02-13T06:56:51.483743-04:00**—Timestamp
- **lower-mid**—Hostname
- **ISS**—AppName
- **2142**—Proc ID
- **CLI**—Msg ID
- **--**Proc ID
- **CLI User admin logged out from console**—Message

## Audit-Logging

- 1) Log file can be created/maintained on the local machine or/and log messages can be sent to the remote machine.
- 2) Logs should be recorded in Syslog format RFC 5424 or 3164.

## Events types and severity

**Table 13:** Syslog Severity

| Event Type                                                                                                                                                                                                                                                                                                          | Syslog Severity |
|---------------------------------------------------------------------------------------------------------------------------------------------------------------------------------------------------------------------------------------------------------------------------------------------------------------------|-----------------|
| <ul style="list-style-type: none"> <li>• Successful Login (local and remote such as RADIUS)</li> <li>• Session timeout</li> <li>• Logoff (local and remote such as RADIUS)</li> <li>• Configuration changes (Any type of configuration)</li> <li>• Configuration backup</li> <li>• USER successful login</li> </ul> | Informational   |
| <ul style="list-style-type: none"> <li>• Unsuccessful login (Access denied)</li> <li>• User locked (After failed attempts)</li> <li>• User Creation</li> <li>• User deletion</li> <li>• User modification (username, password, and role change)</li> <li>• Configuration restore</li> </ul>                         | Notice          |
| <ul style="list-style-type: none"> <li>• None</li> </ul>                                                                                                                                                                                                                                                            | Warning         |
| <ul style="list-style-type: none"> <li>• None</li> </ul>                                                                                                                                                                                                                                                            | Critical        |
| <ul style="list-style-type: none"> <li>• Factory Reset</li> <li>• Reboot</li> </ul>                                                                                                                                                                                                                                 | Alert           |

## 12.27. secure logging crypto key

This CLI helps to configure the certificates required for secure syslog communication over TLS. We need three files, certificate signed by CA, private key and a root CA. This is a global settings and there is no unconfigure command. User can just overwrite the file name if he needs to use a different certificate.

### secure logging crypto key

```
secure logging crypto key < string(100) > cert < string(100) > ca-cert <
string(100) >
```

### Description

This CLI helps to configure the certificates required for secure syslog communication over TLS. We need three files, certificate signed by CA, private key and a root CA. This is a global settings and there is no unconfigure command. User can just overwrite the file name if he needs to use a different certificate.

These key and certificates will take effect only when user configures his transport mode as TLS.

These certificates are generated/imported using crypto PKI infrastructure.

This command execution will throw error when the corresponding certificate or key file is not already generated or imported using PKI tool.

### Parameters

| Parameter             | Type   | Description                                                             |
|-----------------------|--------|-------------------------------------------------------------------------|
| key <string(100)>     | string | Private key for switch client.                                          |
| cert <string(100)>    | string | Certificate for switch client.                                          |
| ca-cert <string(100)> | string | Root CA, which has signed both the server and client node certificates. |

### Mode

Global Configuration Mode

### Examples

```
iS5Comm(config)# secure logging crypto key r1Key.pem cert r1Cert.pem ca-cert CA.pem
```

### Related Commands:

```
iS5Comm# show crypto pki
```

Other related command:

```
crypto pki keygen <file-prefix(32)> {RSA2048 | RSA4096} { default | <country(2)> <state(100)>
<locality(100)> <organization(100)> <organizational-unit(100)> <common-name(100)> | current}
```

## 12.28. mail-server

To configure the mail server address used for sending email alert messages, use the command **mail-server** in Global Configuration Mode. The **no** form of the command deletes the mail server address from the mail table.

### mail-server

```
mail-server <short(0-191)> {ipv4 <uicast_addr> | ipv6 <ip6_addr> |
<dns_host_name>} <string(50)> [user <user_name> password <password>]
```

### no mail-server

```
no mail-server <short(0-191)> {ipv4 <uicast_addr> | ipv6 <ip6_addr> |
<dns_host_name>}
```

## Parameters

| Parameter           | Type           | Description                                                                                                                                                                                                     |
|---------------------|----------------|-----------------------------------------------------------------------------------------------------------------------------------------------------------------------------------------------------------------|
| <short (0-191) >    | Integer        | Enter to set the priority for that particular mail-server configuration. This value ranges from 0 to 191.                                                                                                       |
| ipv4                | A.B.C.D        | Enter to configure the ipv4 destination address for the syslog mail server.                                                                                                                                     |
| <ucast_addr>        |                | Enter the ipv4 destination address for the syslog mail server. The format for the Mail server ID is a string of size 50                                                                                         |
| ipv6                | AAAA:B<br>BBB. | Enter to configure the ipv6 destination address for the syslog mail server.                                                                                                                                     |
| <ip6_addr>          |                | Enter the ipv6 destination address for the syslog mail server. The format for IPv6 address is AAAA:BBBB.                                                                                                        |
| <dns_host_name<br>> |                | Enter to configure the DNS host name for the syslog mail server. This value is a string of size 255.                                                                                                            |
| <string (50) >      |                | Enter to specify the receiver mail id in which the email alert messages are received and logged. This value is a string of maximum size 50.                                                                     |
| user                |                | Enter to configure the user name of the account in the mail server to which the mails is to be sent. The user name is used only if a valid authentication method is configured for the system.                  |
| <user_name>         |                | Enter the user name of the account in the mail server to which the mails is to be sent. This value is a string of maximum size 64.                                                                              |
| password            |                | Enter a valid email address for the sender.                                                                                                                                                                     |
| <password>          |                | Enter to set the password to authenticate the user name in the mail server. The password is used only if a valid authentication method is configured for the system. This value is a string of maximum size 64. |

## Mode

Global Configuration Mode

## Examples

```
iS5Comm(config)# mail-server 190 ipv4 23.78.67.89 support@mycompany.com
```

## 12.29. sender

To set the sender mail id from which the email alert messages are sent, use the command **sender** in Global Configuration Mode. The no form of the command deletes the configured sender mail id.

### sender

```
sender mail-id <mail-id string(100)>
```

### no sender

```
no sender mail-id
```

### Parameters

| Parameter                | Type | Description                                 |
|--------------------------|------|---------------------------------------------|
| mail-id                  |      | Enter to configure mail id for the sender.  |
| <mail-id<br>string(100)> |      | Enter a valid email address for the sender. |

### Mode

Global Configuration Mode

### Prerequisites

This command can be executed only if the mail server is configured.

### Examples

```
iS5Comm(config)# sender mail-id plabinik@mycompany.com
```

## 12.30. cmdbuffs

To configure the number of syslog buffers for a particular user, use the command **cmdbuffs** in Global Configuration Mode.

### cmdbuffs

```
cmdbuffs <user name> <no.of buffers (1-200)>
```



## Parameters

| Parameter                | Type    | Description                                                                                                     |
|--------------------------|---------|-----------------------------------------------------------------------------------------------------------------|
| <user name>              |         | Enter an user name                                                                                              |
| <no. of buffers (1-200)> | Integer | Enter the number of log buffers to be allocated in the system. This is an integer with a maximum length of 200. |

## Mode

Global Configuration Mode

## Default

50

## Examples

```
i5Comm(config)# cmdbuffs myuser 50
```

## 12.31. clear logs

To clear the system syslog buffers, use the command **clear logs** in Global Configuration Mode or Privileged EXEC Mode.

### clear logs

```
clear logs
```

## Mode

Privileged EXEC Mode / Global Configuration Mode

## Examples

```
i5Comm(config)# clear logs
```

## 12.32. syslog

To configure the first file, the second, and third file to store the syslog messages locally, enable the syslog file storage to log the status in the local storage path, enable the syslog mail storage in the system, set

the profile for reliable syslog, change the syslog role from device to relay, set the Syslog relay transport type either as UDP or TCP, use the command **syslog** in Global Configuration Mode. By enabling syslog mail storage, the device sends the syslog messages as mail messages to the mail-server configured in the system. The no form of command disables the syslog mail storage, the mail option in syslog, sets the profile to default (raw), changes the syslog role from relay to device, and Set the Syslog Port to default port 514.

### **syslog**

```
syslog {filename-one <filename <string(32)> | filename-two <filename
<string(32)> | filename-three <filename <string(32)> localstorage | mail |
profile {raw |cooked} | relay [<port number (0-65535)>] [transport type {tcp
| udp} | relay-port <port number (0-65535)>}
```

### **no syslog**

```
no syslog {localstorage | mail | profile | relay | relay-port}
```

## Parameters

| Parameter                  | Type    | Description                                                                                                                                                                                |
|----------------------------|---------|--------------------------------------------------------------------------------------------------------------------------------------------------------------------------------------------|
| filename-one               |         | Enter to configure a first file to store the syslog messages locally.<br><b>NOTE:</b> This command is executed only if syslog local storage is enabled.                                    |
| <filename<br><string(32)>  | String  | Enter a name for the first file. The maximum size of the file name is 32 characters.                                                                                                       |
| filename-two               |         | Enter to configure a second file to store the syslog messages locally<br><b>NOTE:</b> This command is executed only if syslog local storage is enabled.                                    |
| <filename<br><string(32)>  | String  | Enter a name for the second file. The maximum size of the file name is 32 characters.                                                                                                      |
| filename-three             |         | Enter to configure a third file to store the syslog messages locally.<br><b>NOTE:</b> This command is executed only if syslog local storage is enabled.                                    |
| <filename<br><string(32)>  | String  | Enter a name for the third file. The maximum size of the file name is 32 characters.                                                                                                       |
| localstorage               |         | Enter to enable the syslog file storage to log the status in the local storage path.                                                                                                       |
| mail                       |         | Enter to enable the syslog mail storage in the system. By enabling syslog mail storage, the device sends the syslog messages as mail messages to the mail-server configured in the system. |
| profile                    |         | Enter to set the profile for reliable syslog.                                                                                                                                              |
| raw                        |         | Enter to set the syslog profile as raw which is the profile for the transport type beep. This is the default option.                                                                       |
| cooked                     |         | Enter to set the syslog profile as cooked.                                                                                                                                                 |
| relay                      |         | Enter to change the syslog role from device to relay.<br><b>NOTE:</b> This command is executed only if syslog local storage is enabled.                                                    |
| <port number<br>(0-65535)> | Integer | Enter a port number through which syslog messages are received. The default port is 514.                                                                                                   |
| transport                  |         | Enter to configure the Syslog transport/                                                                                                                                                   |
| type                       |         | Enter to configure the Syslog transport type.                                                                                                                                              |
| tcp                        |         | Enter to configure the Syslog transport type as TCP.                                                                                                                                       |
| udp                        |         | Enter to configure the Syslog transport type as UDP.                                                                                                                                       |
| relay-port                 |         | Enter to set the syslog port through which the relay receives the syslog messages irrespective of the transport type                                                                       |

| Parameter                  | Type    | Description                                                                              |
|----------------------------|---------|------------------------------------------------------------------------------------------|
| <port number<br>(0-65535)> | Integer | Enter a port number through which syslog messages are received. The default port is 514. |

## Mode

Global Configuration Mode

## Examples

```
iS5Comm(config)# syslog filename-one Com1
iS5Comm(config)# syslog filename-two Com2
iS5Comm(config)# syslog filename-three Com3
iS5Comm(config)# syslog localstorage
iS5Comm(config)# syslog mail
iS5Comm(config)# syslog profile raw
iS5Comm(config)# syslog relay
iS5Comm(config)# syslog relay transport type udp
```

## 12.33. show logging

To display all logging status and configuration information, use the command **show logging** in Privileged EXEC Mode.

**show logging**

## Mode

Privileged EXEC Mode

## Examples

```
iS5Comm# show logging
 System Log Information

 Syslog logging : enabled(Number of messages 159)
 Console logging : disabled(Number of messages 0)
 TimeStamp option : enabled
```

```
Severity logging : Critical
Facility : Default (local0)
Buffered size : 200 Entries
```

```
LogBuffer(164 Entries, 169248 bytes)
<129>Jun 6 19:19:40 ISS CFA DOWN
<129>Jun 6 19:19:43 ISS NPAPI Slot0/3 Link Status [DOWN]
<129>Jun 6 19:19:43 ISS ASR HsrFastBpdu Link down event received for
Red 2
```

Syslogs, of ALERT severity, are generated whenever link down or up event is triggered by HSR-RSRP fast recovery feature (see above).

## 12.34. show flash logs

To display the flash contents, use the command **show flash logs** in Privileged EXEC Mode.

### show flash logs

#### Mode

Privileged EXEC Mode

#### Examples

iS5Comm # show flash logs

```
Name: fsir.log.2452 , Size: 4630 , Updated: Mon Aug 6
04:14:23 2018Name: fsir.log.2424 , Size: 208 , Updated: Mon
Nov 5 00:14:18 2018Name: fsir.log.2421 , Size: 81 ,
Updated: Mon Nov 5 00:44:10 2018
```

## 12.35. show email alerts

To display configurations related to email alerts, use the command **show email alerts** in Privileged EXEC Mode.

### show email alerts

#### Mode

Privileged EXEC Mode

## Prerequisites

This command is executed only if mail server is configured.

## Examples

```
iS5Comm# show email alerts
```

```
Sender email-id : support@mycompany.com
```

## 12.36. show syslog

To display all file names for Syslog local storage, the status of consolidated syslog log information, syslog local storage Syslog role, status of the mail option, the Syslog profile, Syslog relay transport type, and Syslog role, use the command **show syslog** in Privileged EXEC Mode.

### show syslog

```
show syslog {file-name | information | localstorage | mail | profile | relay
[transport type] | relay-port | role}
```

### Parameters

| Parameter    | Type | Description                                                         |
|--------------|------|---------------------------------------------------------------------|
| file-name    |      | Enter to display all file names for Syslog local storage.           |
| information  |      | Enter to display the status of consolidated syslog log information. |
| localstorage |      | Enter to display the Syslog local storage.                          |
| mail         |      | Enter to status of the mail option.                                 |
| profile      |      | Enter to display the Syslog profile.                                |
| relay        |      | Enter to display the Syslog relay transport type.                   |
| transport    |      | Enter to display the Syslog relay transport type.                   |
| type         |      | Enter to display the Syslog relay transport type.                   |
| relay-port   |      | Enter to display the relay port related configuration.              |
| role         |      | Enter to display the Syslog role.                                   |

### Mode

Privileged EXEC Mode

## Examples

```
iS5Comm# show syslog file-name
```

```
Syslog File Name

Syslog File-One :one
Syslog File-Two :
Syslog File-Three :
```

```
iS5Comm# show syslog information
```

```
System Log Information

Syslog Localstorage : Enabled
Syslog Mail Option : Disabled
Syslog Port : 514
Syslog Role : Relay
Sntp Authentication : None
```

```
iS5Comm# show syslog localstorage
```

```
Syslog Localstorage: Enabled
```

```
iS5Comm# show syslog mail
```

```
Syslog Mail Option : Enabled
```

```
iS5Comm# show syslog profile
```

```
Syslog Profile : raw
```

```
iS5Comm# show syslog relay transport type
```

```
Syslog Relay Transport type udp
```

```
iS5Comm# show syslog relay-port
```

```
Syslog Port : 514
```

```
iS5Comm# show syslog role
```

```
Syslog Role : Relay
```

## 12.37. show logging-server

To display the information about the Syslog logging server table, use the command **show logging-server** in Privileged EXEC Mode.

**show logging-server**

### Mode

Privileged EXEC Mode

## Examples

iS5Comm# show logging-server

```
Syslog Forward Table Information

Priority Address-Type IP Address Port Trans-Type
----- -
1 host abc.com 2 tcp
129 ipv4 12.0.0.2 514 udp
191 ipv6 1111::2222 514 udp
```

### 12.38. show logging-file

To display the priority and file name of all three files configured in the syslog file table, use the command **show logging-file** in Privileged EXEC Mode.

**show logging-file**

#### Mode

Privileged EXEC Mode

#### Examples

iS5Comm# show logging-file

```
Syslog File Table Information

Priority File-Name
----- -
128 my_syslog
129 my_syslog
```

### 12.39. show mail-server

To display the information about the Syslog mail server table, use the command **show mail-server** in Privileged EXEC Mode.



**show mail-server****Mode**

Privileged EXEC Mode

**Examples**

iS5Comm# show mail-server

Syslog Mail Table Information

-----

| Priority | Address-Type | IP Address | Receiver Mail-Id  | User Name |
|----------|--------------|------------|-------------------|-----------|
| -----    | -----        | -----      | -----             | -----     |
| 0        | host         | abc.com    | mail@yahoo.com    | user1     |
| 1        | ipv4         | 15.0.0.100 | mail1@example.com | user2     |
| 2        | ipv6         | 1111::2222 | mail2@example.com |           |

**12.40. smtp authentication**

To set the Simple Mail Transfer Protocol (SMTP) authentication method while sending E-mail alerts to the mail server configured, use the command **smtp authentication** in Global Configuration Mode. The **no** form of the command resets the authentication method to send email alerts with any authentication.

**smtp authentication**

```
smtp authentication {auth-login | auth-plain | cram-md5 | digest-md}
```

**no smtp authentication**

```
no smtp authentication
```

## Parameters

| Parameter               | Type | Description                                                                                                                                                                                                         |
|-------------------------|------|---------------------------------------------------------------------------------------------------------------------------------------------------------------------------------------------------------------------|
| <code>auth-login</code> |      | Enter to set the smtp authentication method as auth-login in which both the user name and password are BASE64 encoded.                                                                                              |
| <code>auth-plain</code> |      | Enter to set the smtp authentication method as auth-plain in which the user name and password used for authentication are combined to one string and BASE64 encoded                                                 |
| <code>cram-md5</code>   |      | Enter to set the BASE64 encoded user name and 16-byte digest in hexadecimal notation. The digest is generated using HMAC calculation with password as secret key and SMTP server original challenge as the message. |
| <code>digest-md</code>  |      | Enter to set the smtp authentication method as digest-md5 in which the BASE64 encoded MD5 digest response string that is calculated using the user name, password, realm string and nonce string.                   |

## Mode

Global Configuration Mode

## Examples

```
iS5Comm(config)# smtp authentication auth-login
```

# TCP

## 13. TCP

Transmission Control Protocol (*TCP*) is a portable implementation of the industry standard *TCP* based on RFC 793. The software consists of the core *TCP* protocol, a library that provides a Socket Layer Interface (SLI) to support both a Telnet Server and FTP server. *TCP* interacts with the Network Layer protocols (IPv4/IPv6) and uses their services for end-to-end communication.

### 13.1. tcp max retries

To configure the maximum number of retries for re-transmission in TCP module, use the command **tcp max retries** in Global Configuration Mode.

#### tcp

```
tcp max retries <number retries (1-12)>
```

#### Parameters

| Parameter               | Type    | Description                                                                         |
|-------------------------|---------|-------------------------------------------------------------------------------------|
| max                     |         | Enter to configure the maximum number of retries for re-transmission in TCP module. |
| retries                 |         | Enter to configure the maximum number of retries for re-transmission in TCP module. |
| <number retries (1-12)> | Integer | Enter a number for maximum retries. The value ranges from 1 to 12.                  |

#### Mode

Global Configuration Mode

#### Examples

```
iS5Comm(config)# tcp max retries 1
```

## 13.2. show tcp

To display the TCP connections, the information about all listeners, the TCP statistics information, and TCP retransmission details, use the command **show tcp** in Privileged EXEC Mode.

### show tcp

```
show tcp {connections | listeners | retransmission details | statistics}
```

### Parameters

| Parameter      | Type | Description                                                                                                                                                                                                                                        |
|----------------|------|----------------------------------------------------------------------------------------------------------------------------------------------------------------------------------------------------------------------------------------------------|
| connections    |      | Enter to display the TCP connections for the switch such as Local IP Address type, Local IP, Local Port and Remote Port. It also displays if a connection is TCP MD5 protected and the number of incoming segments that failed MD5 authentication. |
| listeners      |      | Enter to display the information such as Local IP Address Type, Local IP and Local Port for each listener in the network.                                                                                                                          |
| retransmission |      | Enter to set the Retransmission related configuration.                                                                                                                                                                                             |
| details        |      | Enter to display the TCP retransmission details.                                                                                                                                                                                                   |
| statistics     |      | Enter to display the TCP statistics information such as “Max Connections”, “Active Opens”, “Passive Opens”, “Attempts Fail”, etc.                                                                                                                  |

### Mode

Privileged EXEC Mode

### Examples

```
iS5Comm# show tcp connections
```

```
Context Name : default
```

```
TCP Connections
```

```
=====
```

```
Local IP Address Type : IPv4
Local IP : 0.0.0.0
Local Port : 22
Remote IP Address Type : IPv4
Remote IP : 0.0.0.0
```

```
Remote Port : 0
TCP State : Listen
MD5 Authenticated : No
TCP-AO Authenticated : No
```

## TCP Connections

=====

```
Local IP Address Type : IPv4
Local IP : 0.0.0.0
Local Port : 80
Remote IP Address Type : IPv4
Remote IP : 0.0.0.0
Remote Port : 0
TCP State : Listen
MD5 Authenticated : No
TCP-AO Authenticated : No
```

## TCP Connections

=====

```
Local IP Address Type : IPv4
Local IP : 0.0.0.0
Local Port : 443
Remote IP Address Type : IPv4
Remote IP : 0.0.0.0
Remote Port : 0
TCP State : Listen
MD5 Authenticated : No
TCP-AO Authenticated : No
```

## TCP Connections

=====

```
Local IP Address Type : IPv4
Local IP : 192.168.10.1
Local Port : 22
Remote IP Address Type : IPv4
Remote IP : 192.168.10.10
Remote Port : 63370
```

```
TCP State : Established
MD5 Authenticated : No
TCP-AO Authenticated : No
```

**iS5Comm# show tcp listeners**

```
TCP Listeners
```

```
=====
```

```
Context Name : default
```

```

```

```
Local IP Address Type : IPv4
Local IP : 0.0.0.0
Local Port : 22
```

```
Local IP Address Type : IPv4
Local IP : 0.0.0.0
Local Port : 80
```

```
Local IP Address Type : IPv4
Local IP : 0.0.0.0
Local Port : 443
```

```
Address Type [0 - IPv4 and IPv6] [1 - IPv4] [2 - IPv6]
```

**iS5Comm# show tcp retransmission details**

```
Context Name : default
```

```
RTO Algorithm Used : VAN JACOBSON
Min Retransmission Timeout : 50 msec
Max Retransmission Timeout : 2000 msec
```

**iS5Comm# show tcp statistics**

```
Context Name : default
```

```
Max Connections : 500
Active Opens : 0
Passive Opens : 387
Attempts Fail : 0
Estab Resets : 3
Current Estab : 1
Input Segments : 44096
Output Segments : 69643
```

```
Retransmitted Segments : 29
Input Errors : 2
TCP Segments with RST flag Set: 0
HC Input Segments : 44096
HC Output Segments : 69643
```

# UDP

## 14. UDP

*UDP* (User Datagram Protocol) is a portable implementation of the industry standard *UDP*. It is used in packet-switched computer communication networks and in interconnected systems of such networks.

The software consists of the core *UDP* protocol and a library that provides a Socket Layer Interface (similarly to *BSD* sockets) for applications such as *SNMP*. It supports a number of standard features in addition to the core protocol.

### 14.1. show udp

To display the *UDP* configuration or statistics, use the command **show udp** in Privileged EXEC Mode.

#### show udp

```
show udp {connections | statistics}
```

#### Parameters

| Parameter   | Type | Description                                                                                                                                                            |
|-------------|------|------------------------------------------------------------------------------------------------------------------------------------------------------------------------|
| connections |      | Enter to display the UDP configuration such as Local IP Address Type, Local IP, Local Port, Remote IP Address Type, Remote IP and Remote Port for various connections. |
| statistics  |      | Enter to display the UDP statistics such as InDatagrams, outDatagrams, HC InDatagrams, HC OutDatagrams, UDP No Ports and UDP IN Errors.                                |

#### Mode

Privileged EXEC Mode

#### Examples

```
iS5Comm# show udp connections
 Global UDP Connections
 =====
```



```
Local IP Address Type : IPv4
Local IP : 0.0.0.0
Local Port : 68
Remote IP Address Type : IPv4
Remote IP : 0.0.0.0
Remote Port : 0
Local IP Address Type : IPv4
Local IP : 0.0.0.0
Local Port : 61813
Remote IP Address Type : IPv4
Remote IP : 0.0.0.0
Remote Port : 0
```

**iS5Comm# show udp statistics**

Global UDP Statistics

=====

```
InDatagrams : 40
OutDatagrams : 40
HC InDatagrams : 40
HC OutDatagrams : 40
UDP No Ports : 16679
UDP In Errors : 16679
UDP with no Checksum : 0
No. ICMP error packets : 0
UDP with wrong Checksum : 0
UDP In Broadcast Mode : 16679
```

# STP

## 15. STP

*STP* (Spanning-Tree Protocol) is a link management protocol that provides path redundancy while preventing undesirable loops in the network that are created by multiple active paths between stations. To establish path redundancy, *STP* creates a tree that spans all of the switches in an extended network, forcing redundant paths into a standby or blocked state.

For an Ethernet network to function properly, only one active path should exist between two stations. Multiple active paths between stations in a bridged network can cause loops in which Ethernet frames can endlessly circulate. *STP* logically breaks such loops and prevents looping traffic from clogging the network. The dynamic control of the topology provides continued network operation in the presence of redundant or unintended looping paths.

The STP functionality is realized in the network using one of the three following STPs:

- RSTP
- MSTP
- PVRST+

**RSTP** is a portable implementation of the IEEE 802.1D standard. It provides rapid recovery of connectivity following the failure of a bridge/bridge port or a LAN. It reduces the time to reconfigure the active topology of the network when physical topology or topology configuration parameters changes. It provides increased availability of MAC service when there is a reconfiguration or failure of components in a bridged LAN. It can interoperate with legacy STP bridges without any change in the configuration.

**MSTP** is a portable implementation of the IEEE 802.1s standard. It is used to configure spanning tree on per VLAN basis or multiple VLANs per spanning tree. It allows you to build several MST over VLAN trunks, and group or associate VLANs to spanning tree instances, so the topology of one instance is independent of the other instance. It provides multiple forwarding paths for data traffic and enables load balancing. It improves the overall network fault tolerance, as failure in one instance does not affect the other instances.

**PVRST+** is an enhancement of RSTP, which works in conjunction with VLAN to provide better control over traffic in the network. It maintains a separate spanning tree for each active VLAN in the network, thus providing load balancing through multiple instances of spanning tree, fault tolerance and rapid reconfiguration support through RSTP. **NOTE:** *For each VLAN, a spanning-tree instance is created. Number of spanning-tree instances supported in PVRST depends on the number of instances supported by the hardware. PVRST operates only on supported instances*

## 15.1. Redundant Ring Technology

The network recovery time is very critical in industrial applications. Industrial networking devices often utilize redundant ring technologies to minimize the downtime. The adheres to the implementation of various network protocol standards (STP, MSTP/RSTP/PVRST, MRP, HSR/PRP) to meet the performance criteria of mission critical applications.

STP, MSTP/RSTP/PVRST, and MRP are Ethernet based protocols. HSR is a non-Ethernet layer 2 protocol and on the require a dedicated line module. The following table compares these different protocols.

**Table 1:** Redundancy Ring Comparison Table

| Redundancy Ring Comparison Table |                  |                  |            |
|----------------------------------|------------------|------------------|------------|
| Recovery Technology              | RSTP             | MRP              | HSR        |
| Recovery Time                    | < 200 ms         | < 200 ms         | 0          |
| Maximum Nodes                    | 40               | 50               | 512        |
| Recovery Time Per Node           | 5 ms             | 4 ms             | 0          |
| Standard                         | IEEE 802.1D-2004 | IEC-62439-2-2016 | IEC62439-3 |

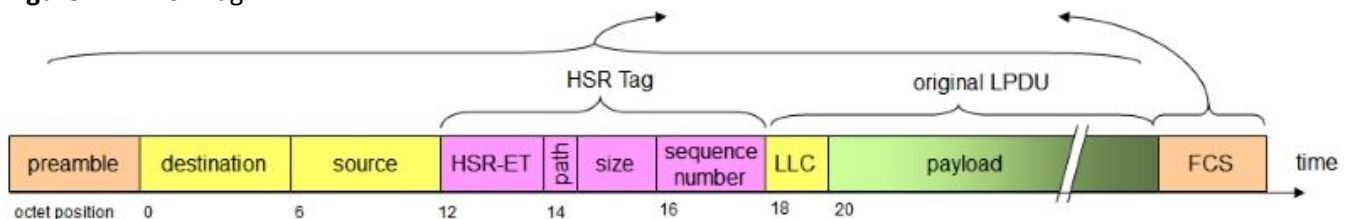
PRP (IEC 62439-3) is another redundancy option, however it is not a ring redundancy protocol. Instead PRP sends packets over two different networks in parallel.

## 15.2. HSR Protocol

High-availability Seamless Redundancy (*HSR*) is similar to Parallel Redundancy Protocol (*PRP*) but is designed to work in a ring topology. Instead of two parallel independent networks of any technology (LAN-A and LAN-B), HSR defines a ring with traffic in opposite directions.

In *HSR*, to allow the determining and discarding duplicate frames, additional protocol specific information is sent with the data frame. In *HSR*, the frames are identical except for the path field in their 6 octet HSR header (tag), both directions around a loop. The idea is that one copy of the message will reach the destination node, even if the loop is broken.

**Figure 1:** HSR Tag



Periodically, so called supervision frames, which allow supervision of the status of the redundant network, e.g. broken links, are sent.

Network devices which do not have the ability to communicate by *HSR*, can be connected to an *HSR* ring via a RedBox, i.e. redundancy box. The intended recipient of the redundant copies of the HSR frame passes the first copy of the message up the network stack and discards the second one.

## 15.3. Media Redundancy Protocol

Media Redundancy Protocol (*MRP*) is a networking protocol designed to implement redundancy and recovery in a ring topology. *MRP* is designed to react deterministically on a single failure on a switch in the *MRP* ring.

In an *MRP* ring, according to IEC 62439-2, one of nodes in the network takes on the role of the media redundancy manager (*MRM*), and the other nodes are the redundancy clients (*MRC*). The *MRM* initiates and controls the ring topology to react to network faults by sending control frames on one ring port over the ring and receiving them from the ring over its other ring ports.

*MRM* and *MRC* ring ports support three status: disabled, blocked, and forwarding. Disabled ring ports drop all the received frames. Blocked ring ports drop all the received frames except the *MRP* control frames. Forwarding ring ports forward all the received frames.

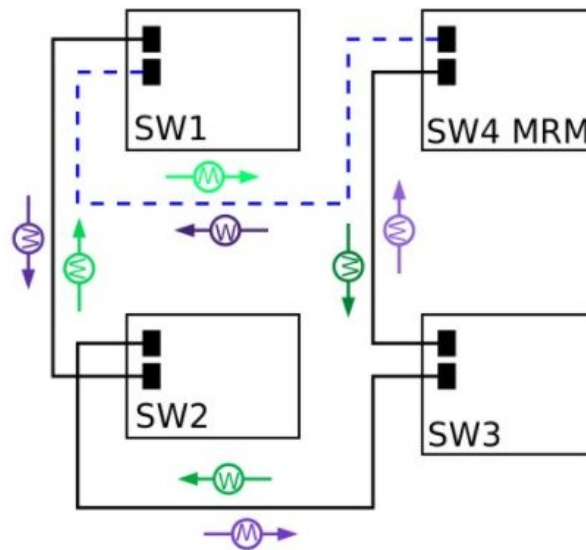
During normal operation, the ring works in the Ring-Closed state. In this state, as a loop prevention, one of the *MRM* ring ports is blocked, while the other is forwarding. Conversely, both ring ports of all *MRCs* are forwarding. Loops are avoided because the physical ring topology is reduced to a logical stub topology.

In case of failure, the network works in the Ring-Open state. For instance, in case of failure of a link connecting two *MRCs*, the *MRM* sets both of its ring ports to the forwarding state; the *MRCs* adjacent to the failure have a blocked and a forwarding ring port; the other *MRCs* have both ring ports forwarding. So, in the Ring-Open status, the network logical topology is a stub.

## 15.4. MRP Rings

The customer will be deploying *MRP* rings in their substations for fast failover and ease of configuration.

## Ring-Closed MRP Ring

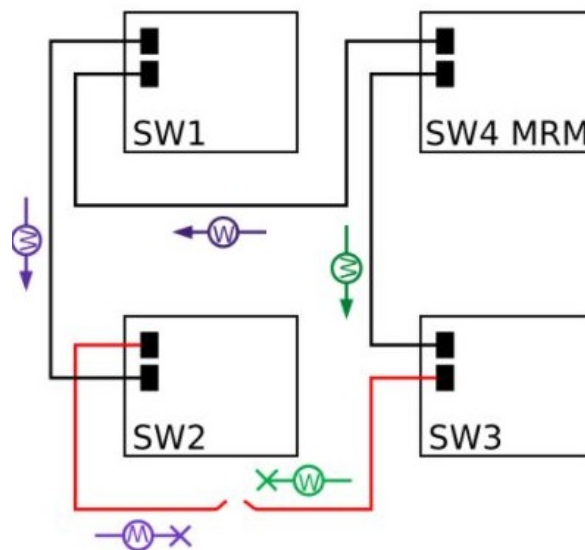


This picture above shows an *MRP* ring in a closed condition. The *MRM* switch is the *MRP* Media Redundancy Manager and it is the designated switch that controls the ring and prevents the network loop from forming. “W” are the watchdog packets that transit the network much like RSTP BPDUs. If there is a line failure, the W frames alert the *MRM* to put its redundant port to forwarding.

For the blocked port on the *MRM*, only watchdog frames are allowed to pass, and not data frames.

## Ring-Open MRP Ring

The figure below shows the ring in an open state with the *MRM* engaged.



## 15.5. MRP Ring Size

A ring of 50 switches is currently supported.

## 15.6. Media Redundancy Automanager

To configure a Media Redundancy Automanager (*MRA*), the node or nodes select an *MRM* by election and configured priority value.

The *MRA* role is not an operational *MRP* role like *MRM* or *MRC*. It is only an administrative temporary role at a device startup. A node must transition to the *MRM* role or the *MRC* role after startup, and the *MRM* is selected though the manager voting process.

## 15.7. More Information

Detailed Configuration Guides are available at: <https://is5com.com/configuration-manuals/>

## 15.8. clear spanning-tree detected protocols

To restart the protocol migration process on all interfaces in the switch and force renegotiation with the neighboring switches, use the command **clear spanning-tree detected protocols** in Global Configuration Mode.

### clear spanning-tree detected protocols

```
clear spanning-tree detected protocols [interface interface-type <inter-
face-id>] [switch default]
```

## Parameters

| Parameter                         | Type | Description                                                                                                                                                                                                                                                                                                                                                                                                                                                                                                                                                                                                                                                                                      |
|-----------------------------------|------|--------------------------------------------------------------------------------------------------------------------------------------------------------------------------------------------------------------------------------------------------------------------------------------------------------------------------------------------------------------------------------------------------------------------------------------------------------------------------------------------------------------------------------------------------------------------------------------------------------------------------------------------------------------------------------------------------|
| <code>interface</code>            |      | Enter to restart the protocol migration process on the specified interface.                                                                                                                                                                                                                                                                                                                                                                                                                                                                                                                                                                                                                      |
| <code>interface-type</code>       |      | Enter to restart the protocol migration process on the specified interface. The interface can be: <ul style="list-style-type: none"> <li>• <code>gigabitethernet</code> – A version of LAN standard architecture that supports data transfer up to 1 Gigabit per second.</li> <li>• <code>extreme-ethernet</code> – A version of Ethernet that supports data transfer up to 10 Gigabits per second. This Ethernet supports only full duplex links.</li> <li>• <code>internal-lan</code> – Internal LAN created on a bridge per IEEE 802.1ap.</li> <li>• <code>port-channel</code> – Logical interface that represents an aggregator which contains several ports aggregated together.</li> </ul> |
| <code>&lt;interface-id&gt;</code> |      | Enter to clear a specific slot number / port number. The format is <code>&lt;0&gt;/&lt;1-28&gt;</code> without spaces between Slot Number/Port Number. For example, <code>0/1</code> .                                                                                                                                                                                                                                                                                                                                                                                                                                                                                                           |
| <code>switch</code>               |      | Enter to specify a Switch Name/Context Name.                                                                                                                                                                                                                                                                                                                                                                                                                                                                                                                                                                                                                                                     |
| <code>default</code>              |      | Enter default for a Switch Name/Context Name.                                                                                                                                                                                                                                                                                                                                                                                                                                                                                                                                                                                                                                                    |

## Mode

Global Configuration Mode

## Examples

```
iS5Comm# clear spanning-tree detected protocols interface gigabitethernet 0/1
```

## 15.9. clear spanning-tree

To delete all bridge and port level spanning tree statistics information, use the command **clear spanning-tree** in Global Configuration Mode.

For RSTP, the information contains number of:

- Transitions to forwarding state
- RSTP BPDU count received / transmitted
- Config BPDU count received / transmitted

- TCN BPDU count received / transmitted
- Invalid BPDU count transmitted
- Port protocol migration count

For MSTP, the information contains number of:

- Port forward transitions
- Port received BPDUs
- Port transmitted BPDUs
- Port invalid BPDUs received
- Port protocol migration count
- BPDUs sent / received for each MSTI

For PVRST, the information contains number of:

- Transitions to forwarding state
- PVRST BPDU count received / transmitted
- Config BPDU count received / transmitted
- TCN BPDU count received / transmitted
- Port protocol migration count

### **clear spanning-tree**

```
clear spanning-tree mst <instance-id (1-64)> counters [interface inter-
face-type <interface-id>
```



## Parameters

| Parameter                | Type    | Description                                                                                                                                                                                                                                                                                                                                                                                                                                                                                                                                                                                                                                                                                                                                                                                                                                                |
|--------------------------|---------|------------------------------------------------------------------------------------------------------------------------------------------------------------------------------------------------------------------------------------------------------------------------------------------------------------------------------------------------------------------------------------------------------------------------------------------------------------------------------------------------------------------------------------------------------------------------------------------------------------------------------------------------------------------------------------------------------------------------------------------------------------------------------------------------------------------------------------------------------------|
| mst                      |         | Enter to clear the statistical counters specific to the MSTP instance already created in the switch.                                                                                                                                                                                                                                                                                                                                                                                                                                                                                                                                                                                                                                                                                                                                                       |
| <instance-id<br>(1-64) > |         | Enter a value for the MSTP instance already created in the switch. This value ranges from 1 to 64. The special value 4094 can be used only in the switch that supports PBB-TE. This special value represents PTETID that identifies VID used by ESPs. This option is applicable, only if the spanning tree mode is set as MST.                                                                                                                                                                                                                                                                                                                                                                                                                                                                                                                             |
| counters                 | Integer | Enter a number for maximum retries. The value ranges from 1 to 12.                                                                                                                                                                                                                                                                                                                                                                                                                                                                                                                                                                                                                                                                                                                                                                                         |
| interface                |         | Enter to clear all port-level spanning-tree statistics information for the given port.                                                                                                                                                                                                                                                                                                                                                                                                                                                                                                                                                                                                                                                                                                                                                                     |
| interface-type           |         | Enter to clear all port-level spanning-tree statistics information for the specified type of interface. The interface can be: <ul style="list-style-type: none"> <li>• fastethernet – Officially referred to as 100BASE-T standard. This is a version of LAN standard architecture that supports data transfer up to 100 Megabits per second.</li> <li>• gigabitethernet – A version of LAN standard architecture that supports data transfer up to 1 Gigabit per second.</li> <li>• extreme-ethernet – A version of Ethernet that supports data transfer up to 10 Gigabits per second. This Ethernet supports only full duplex links.</li> <li>• internal-lan – Internal LAN created on a bridge per IEEE 802.1ap.</li> <li>• port-channel – Logical interface that represents an aggregator which contains several ports aggregated together.</li> </ul> |
| <interface-id>           |         | Enter to clear a specific slot number / port number. The format is <0>/<1-28> without spaces between Slot Number/Port Number. For example, 0/1.                                                                                                                                                                                                                                                                                                                                                                                                                                                                                                                                                                                                                                                                                                            |

## Mode

Global Configuration Mode

## Prerequisites

The statistics information can be deleted, only if the spanning tree functionality has not been shut down in the switch. The type of spanning tree mode should be set, if the functionality is already shutdown.

## Examples

```
iS5Comm(config)# clear spanning-tree counters interface gigabitethernet 0/1
```

### 15.10. debug customer spanning-tree

To enable tracing and generates debug statements for customer spanning tree debugging support, use the command **debug customer spanning-tree** in Privileged EXEC Mode. The no form of this command disables tracing for customer spanning tree debugging support.

#### debug customer spanning-tree

```
debug customer spanning-tree cep interface {Extreme-Ethernet <interface-id>
| gigabitethernet <interface-id>} {[all] [bpdu] [bridge-detect-
tion-state-machine] [errors] [events] [global] [init-shut] [management]
[memory] [port-info-state-machine] [port-receive-state-machine]
[port-role-selection-state-machine] [protocol-migration-state-machine]
[pseudoInfo-state-machine] [redundancy] [role-transition-state-machine]
[sem-variables] [state-transition-state-machine] [timer]
[topology-change-state-machine]} [{short (0-7) | alerts | critical | debug-
ging | errors | informational | notification | warnings}]
```

#### no debug spanning-tree

```
no debug spanning-tree {[all] [bpdu] [bridge-detection-state-machine]
[errors] [events] [global] [init-shut] [management] [memory]
[port-info-state-machine] [port-receive-state-machine] [port-role-selec-
tion-state-machine] [protocol-migration-state-machine] [pseudo-
Info-state-machine] [redundancy] [role-transition-state-machine] [sem-vari-
ables] [state-transition-state-machine] [timer]
[topology-change-state-machine]}
```

## Parameters

| Parameter                              | Type | Description                                                                                                                                                                                       |
|----------------------------------------|------|---------------------------------------------------------------------------------------------------------------------------------------------------------------------------------------------------|
| cep<br>interface                       |      | Enter to display the customer spanning tree information for the specified customer edge port (CEP).                                                                                               |
| interface                              |      | Enter to display the interface-specific information of active ports.<br><b>NOTE:</b> This command does not support virtual interfaces, tunnels, or interface VLANs type of interfaces.            |
| Gigabitether<br>net                    |      | Enter to display gigabitethernet type of interface. Gigabitethernet is a version of LAN standard architecture that supports data transfer up to 1 Gigabit per second.                             |
| <interface-i<br>d>                     |      | Enter to display a specific slot number / port number. The format is <0>/<1-28> without spaces between Slot Number/Port Number. For example, 0/1.                                                 |
| Extreme-Ethe<br>rnet                   |      | Enter to display the Extreme-Ethernet type of interface. Extreme Ethernet is a version of Ethernet that supports data transfer up to 10 Gigabits per second and only full duplex links            |
| <interface-i<br>d>                     |      | Enter to display a specific slot number / port number. The format is <0>/<1-28> without spaces between Slot Number/Port Number. For example, 0/1.                                                 |
| all                                    |      | Enter to generate debug statements for all RSTP / MSTP                                                                                                                                            |
| bpdu                                   |      | Enter to generate debug statements for BPDU-related traces.                                                                                                                                       |
| bridge-detec<br>tion-state-m<br>achine |      | Enter to generate debug statements for bridge detection SEM.                                                                                                                                      |
| errors                                 |      | Enter to generate debug statements for all failure traces.                                                                                                                                        |
| events                                 |      | Enter to generate debug statements for event handling traces. This trace is generated to denote events that are posted to STP configuration queue whenever you configure any of the STP features. |
| global                                 |      | Enter to generate debug statements for                                                                                                                                                            |
| init-shut                              |      | Enter to generate debug statements for init and shutdown traces. This trace is generated on failed and successful initialization and shutting down of STP related module and memory.              |
| management                             |      | Enter to generate debug statements for management traces. This trace is generated whenever you configure any of the STP features.                                                                 |

| Parameter                         | Type | Description                                                                                                                                                                        |
|-----------------------------------|------|------------------------------------------------------------------------------------------------------------------------------------------------------------------------------------|
| memory                            |      | Enter to generate debug statements for memory related traces. This trace is generated on failed and successful allocation of memory for STP process.                               |
| port-info-state-machine           |      | Enter to generate debug statements for port information SEM.                                                                                                                       |
| port-receive-state-machine        |      | Enter to generate debug statements for port receive SEM.                                                                                                                           |
| port-role-selection-state-machine |      | Enter to generate debug statements for role selection SEM.                                                                                                                         |
| port-transmit-state-machine       |      | Enter to generate debug statements for port transmit SEM                                                                                                                           |
| protocol-migration-state-machine  |      | Enter to generate debug statements for protocol migration SEM.                                                                                                                     |
| pseudoInfo-state-machine          |      | Enter to generate debug statements for port receive pseudo information SEM.                                                                                                        |
| redundancy                        |      | Enter to generate debug statements for redundancy code flow traces. This trace is generated in standby node STP while taking backup of configuration information from active node. |
| role-transition-state-machine     |      | Enter to generate debug statements for role transition SEM                                                                                                                         |
| sem-variables                     |      | Enter to generate debug statements for state machine variable changes traces. This trace is generated on failed and successful creation and deletion of semaphore.                 |
| state-transition-state-machine    |      | Enter to generate debug statements for state transition SEM.                                                                                                                       |
| timer                             |      | Enter to generate debug statements for timer module traces. Tis generated on failed and successful start, stop and restart of STP timers.                                          |
| topology-change-state-machine     |      | Enter to generate debug statements for topology change SEM.                                                                                                                        |

| Parameter     | Type    | Description                                                                                                  |
|---------------|---------|--------------------------------------------------------------------------------------------------------------|
| <level (0-7)> | Integer | Enter to generate debug statements for or the specified severity level value. This value ranges from 0 to 7. |
| alerts        |         | Enter to generate debug statements for immediate action.                                                     |
| critical      |         | Enter to generate debug statements for critical conditions.                                                  |
| debugging     |         | Enter to generate debug statements for debugging messages.                                                   |
| emergencies   |         | Enter to generate debug statements when system cannot be used.                                               |
| errors        |         | Enter to generate debug statements for for error conditions.                                                 |
| informational |         | Enter to generate debug statements for information messages.                                                 |
| notification  |         | Enter to generate debug statements for significant messages.                                                 |
| warnings      |         | Enter to generate debug statements for warning conditions.                                                   |

## Mode

Privileged EXEC Mode

## Prerequisites

Debug customer spanning-tree can be executed only on customer edge ports. To set port type as customer edge ports, bridge mode is set as provider-edge bridge mode.

## Default

Tracing of the STP module is disabled.

## Examples

```
iS5Comm# debug spanning-tree errors 1
```

## 15.11. debug spanning-tree

To enable the tracing of the STP module as per the configured debug levels, use the command **debug spanning-tree** in Privileged EXEC Mode. The trace statements are generated for the configured trace levels. This command allows combination of debug levels to be configured (that is, more than one level of trace can be enabled or disabled). The debug levels are configured one after the other and not in single

execution of the command. The no form of this command disables the tracing of the STP module as per the configured debug levels. The trace statements are not generated for the configured trace levels.

### **debug spanning-tree**

```
debug spanning-tree {[all] [bpdu] [bridge-detection-state-machine] [errors]
[events] [global] [init-shut] [management] [memory]
[port-info-state-machine] [port-receive-state-machine] [port-role-selec-
tion-state-machine] [protocol-migration-state-machine] [pseudo-
Info-state-machine] [redundancy] [role-transition-state-machine] [sem-vari-
ables] [state-transition-state-machine] [timer]
[topology-change-state-machine]} [switch <default>] [{<level(0-7)> | alerts
| critical | debugging | errors | informational | notification | warnings}]
```

### **no debug spanning-tree**

```
no debug spanning-tree {[all] [bpdu] [bridge-detection-state-machine]
[errors] [events] [global] [init-shut] [management] [memory]
[port-info-state-machine] [port-receive-state-machine] [port-role-selec-
tion-state-machine] [protocol-migration-state-machine] [pseudo-
Info-state-machine] [redundancy] [role-transition-state-machine] [sem-vari-
ables] [state-transition-state-machine] [timer]
[topology-change-state-machine]} [switch <default>] | informational | noti-
fication | warnings}] | alerts
```

## Parameters

| Parameter                         | Type | Description                                                                                                                                                                                       |
|-----------------------------------|------|---------------------------------------------------------------------------------------------------------------------------------------------------------------------------------------------------|
| all                               |      | Enter to generate debug statements for all RSTP / MSTP                                                                                                                                            |
| bpdu                              |      | Enter to generate debug statements for BPDU-related traces.                                                                                                                                       |
| bridge-detection-state-machine    |      | Enter to generate debug statements for bridge detection SEM.                                                                                                                                      |
| errors                            |      | Enter to generate debug statements for all failure traces.                                                                                                                                        |
| events                            |      | Enter to generate debug statements for event handling traces. This trace is generated to denote events that are posted to STP configuration queue whenever you configure any of the STP features. |
| global                            |      | Enter to generate global debug messages.                                                                                                                                                          |
| init-shut                         |      | Enter to generate debug statements for init and shutdown traces. This trace is generated on failed and successful initialization and shutting down of STP related module and memory.              |
| management                        |      | Enter to generate debug statements for management traces. This trace is generated whenever you configure any of the STP features.                                                                 |
| memory                            |      | Enter to generate debug statements for memory related traces. This trace is generated on failed and successful allocation of memory for STP process.                                              |
| port-info-state-machine           |      | Enter to generate debug statements for port information SEM.                                                                                                                                      |
| port-receive-state-machine        |      | Enter to generate debug statements for port receive SEM.                                                                                                                                          |
| port-role-selection-state-machine |      | Enter to generate debug statements for role selection SEM.                                                                                                                                        |
| port-transmit-state-machine       |      | Enter to generate debug statements for port transmit SEM                                                                                                                                          |
| protocol-migration-state-machine  |      | Enter to generate debug statements for protocol migration SEM.                                                                                                                                    |
| pseudoInfo-state-machine          |      | Enter to generate debug statements for port receive pseudo information SEM.                                                                                                                       |

| Parameter                      | Type | Description                                                                                                                                                                        |
|--------------------------------|------|------------------------------------------------------------------------------------------------------------------------------------------------------------------------------------|
| redundancy                     |      | Enter to generate debug statements for redundancy code flow traces. This trace is generated in standby node STP while taking backup of configuration information from active node. |
| role-transition-state-machine  |      | Enter to generate debug statements for role transition SEM                                                                                                                         |
| sem-variables                  |      | Enter to generate debug statements for state machine variable changes traces. This trace is generated on failed and successful creation and deletion of semaphore.                 |
| state-transition-state-machine |      | Enter to generate debug statements for state transition SEM.                                                                                                                       |
| timer                          |      | Enter to generate debug statements for timer module traces. Tis generated on failed and successful start, stop and restart of STP timers.                                          |
| topology-change-state-machine  |      | Enter to generate debug statements for topology change SEM.                                                                                                                        |
| switch                         |      | Enter to generate debug statements for switch / context.                                                                                                                           |
| default                        |      | Enter to generate debug statements for the default for switch / context.                                                                                                           |
| <level (0-7)>                  |      | Enter to generate debug statements for or the specified severity level value.This value ranges from 0 to 7.                                                                        |
| alerts                         |      | Enter to generate debug statements for immediate action.                                                                                                                           |
| critical                       |      | Enter to generate debug statements for critical conditions.                                                                                                                        |
| debugging                      |      | Enter to generate debug statements for debugging messages.                                                                                                                         |
| emergencies                    |      | Enter to generate debug statements when system cannot be used.                                                                                                                     |
| errors                         |      | Enter to generate debug statements for for error conditions.                                                                                                                       |
| informational                  |      | Enter to generate debug statements for information messages.                                                                                                                       |
| notification                   |      | Enter to generate debug statements for significant messages.                                                                                                                       |
| warnings                       |      | Enter to generate debug statements for warning conditions.                                                                                                                         |

## Mode

Privileged EXEC Mode



## Default

Tracing of the STP module is disabled.

## Examples

```
iS5Comm# debug spanning-tree errors 1
```

## 15.12. errordisable

To set the error disable recovery timer in an interface, use the command **errordisable** in Interface Configuration Mode. This command executes only if the spanning tree functionality has not been shut down in the switch.

### errordisable

```
errordisable recovery-interval <seconds(30-65535)>
```

### Parameters

| Parameter           | Type    | Description                                                                                                                                                                   |
|---------------------|---------|-------------------------------------------------------------------------------------------------------------------------------------------------------------------------------|
| recovery-interval   |         | Enter to set the error disable recovery timer in an interface. The “errordisable recovery” time is the amount of time to bring the interface out of the error-disabled state. |
| <seconds(30-65535)> | Integer | Enter a value for the error disable recovery timer in an interface. The range is from 30 to 65535 seconds. The default is 30000.                                              |

### Mode

Interface Configuration Mode

### Examples

```
iS5Comm(config-if)# errordisable recovery-interval 666
```

## 15.13. instance

To create an MST instance and map it to VLANs, use the command **instance** in MSTP Configuration Mode. The no form of this command deletes the instance and unmaps specific VLANs from the MST instance.

**instance**

```
instance <instance ID (1-64/4094)> vlan <vlan-range>
```

**no instance**

```
no instance <instance ID (1-64/4094)> vlan <vlan-range>
```

**Parameters**

| Parameter                 | Type    | Description                                                                                                                                                                                                                                                                                                                                                                                                          |
|---------------------------|---------|----------------------------------------------------------------------------------------------------------------------------------------------------------------------------------------------------------------------------------------------------------------------------------------------------------------------------------------------------------------------------------------------------------------------|
| instance ID               |         | Enter to configure the ID of MSTP to be created / deleted and mapped with / unmapped from VLAN.                                                                                                                                                                                                                                                                                                                      |
| <instance ID (1-64/4094)> | Integer | Enter an instance ID. This value ranges from 1 to 64. This value ranges from 1 to 64. The special value 4094 can be used in the switch that supports PBB-TE. Except vlan instance mapping, other commands for STP configuration will not be applicable in this Mode. This special value represents PTETID that identifies VID used by ESP.<br><b>NOTE:</b> Instance 0 is created and mapped with all VLANs (1-4094). |
| vlan                      |         | Enter to configure a VLAN ID or list of VLAN IDs that should be mapped with / unmapped from the specified MST instance.                                                                                                                                                                                                                                                                                              |
| <vlan-range>              | Integer | Enter a VLAN ID or list of VLAN IDs. This value is a string whose maximum size is 9. For example, the value is provided as 4000-4010 to represent the list of VLANs IDs from 4000 to 4010.                                                                                                                                                                                                                           |

**Mode**

MSTP Configuration Mode

**Examples**

```
iS5Comm(config)# spanning-tree mode mst
```

```
Spanning Tree enabled protocol is RSTP, now RSTP is being shutdown and
MSTP is being enabled
```

```
iS5Comm(config)# spanning-tree mst configuration
```

**NOTE:** This how MSTP Configuration Mode is entered.

```
iS5Comm(config-mst)# instance 1 vlan 2
```

## 15.14. name

To configure the name for the MST region, use the command **name** in MSTP Configuration Mode. The no form of this command resets the name to its default value.

### name

```
name <string (32)>
```

### no name

### Parameters

| Parameter     | Type | Description                                                                                                                                                                                                                                                                          |
|---------------|------|--------------------------------------------------------------------------------------------------------------------------------------------------------------------------------------------------------------------------------------------------------------------------------------|
| <string (32)> |      | Enter a name for the MST region. The name is unique and used to identify the specific MST region. Each MST region contains multiple spanning tree instances and runs special instance of spanning tree known as IST to disseminate STP topology information for other STP instances. |

### Mode

MSTP Configuration Mode

### Examples

```
iS5Comm(config)# spanning-tree mode mst
```

```
Spanning Tree enabled protocol is RSTP, now RSTP is being shutdown and
MSTP is being enabled
```

```
iS5Comm(config)# spanning-tree mst configuration
```

**NOTE:** This how MSTP Configuration Mode is entered.

```
iS5Comm(config-mst)# name regionone
```

## 15.15. revision

To configure the revision number for the MST region, use the command **revision** in MSTP Configuration Mode. The no form of this command resets the revision number to its default value.

### revision

```
revision <value (0-65535)>
```

no revision

## Parameters

| Parameter          | Type | Description                                 |
|--------------------|------|---------------------------------------------|
| <value (0-65535) > |      | Enter a revision number for the MST region. |

## Mode

MSTP Configuration Mode

## Examples

```
iS5Comm(config)# spanning-tree mode mst
```

```
Spanning Tree enabled protocol is RSTP, now RSTP is being shutdown and
MSTP is being enabled
```

```
iS5Comm(config)# spanning-tree mst configuration
```

**NOTE:** This how MSTP Configuration Mode is entered.

```
iS5Comm(config-mst)# revision 100
```

## 15.16. set performance-data

To performs performance-data related configuration, use the command **set performance-data** in Global Configuration Mode.

### set performance-data

```
set performance-data {enable | disable}
```

## Parameters

| Parameter | Type | Description                                                   |
|-----------|------|---------------------------------------------------------------|
| enable    |      | Enter to enable performance-data-status. This is the default. |
| disable   |      | Enter to disable performance-data-status.                     |

## Mode

Global Configuration Mode

## Examples

```
iS5Comm(config)# set performance-data enable
```

## 15.17. set performance-data-status

To enable or disable the collection of performance data for the RSTP and MSTP protocol, use the command **set performance-data-status** in Global Configuration Mode. This command executes only if the spanning tree functionality has not been shut down in the switch.

### set performance-data-status

```
set performance-data-status {enable | disable}
```

### Parameters

| Parameter | Type | Description                                                                                                                                               |
|-----------|------|-----------------------------------------------------------------------------------------------------------------------------------------------------------|
| enable    |      | Enter to enable the collection of RSTP and MSTP performance data on all ports in the device.                                                              |
| disable   |      | Enter to disable the collection of RSTP and MSTP performance data on all ports in the device. By default, the collection of performance data is disabled. |

### Mode

Global Configuration Mode

### Examples

```
iS5Comm(config)# set performance-data-status enable
```

## 15.18. show spanning-tree

To display spanning tree information, use the command **show spanning-tree** in Privileged EXEC Mode. This command executes only if the spanning tree functionality has not been shut down in the switch.

### show spanning-tree

```
show spanning-tree [active [detail] [switch <default>]]
 [blockedports [switch <default>]]
```

```
[bridge [{address | detail | forward-time | hello-time | id | max-age |
priority | protocol | switch}]
[detail [switch <default>]]
[interface {Extreme-Ethernet <interface-id> | gigabitethernet <inter-
face-id>} [bpduguard] [cost] [encapsulationtype] [inconsistency]
[layer2-gateway-port] [priority] [restricted-role] [restricted-tcn] [root-
cost] [state] [stats]]
[layer2-gateway-port [switch <default>]]
[mst [<instance-id (0-4094)>] [configuration [switch <default>]] [detail
[switch <default>]] [interface {Extreme-Ethernet <interface-id> | giga-
bitethernet <interface-id>} [detail] [hello-time] [stats]] [switch
<default>]]
[pathcost method [switch <default>]]
[performance-data] [interface {Extreme-Ethernet <interface-id> | giga-
bitethernet <interface-id>} [instance] [<instance-id>]
[root [{address | cost | detail | forward-time | id | max-age | port |
priority [system-id [switch <default>]] | switch}]
[summary [switch <default>]]
[switch <default>]]
[vlan <vlan-id/vfi_id> [active [detail] [switch <default>] [blockedports
[switch <default>]] [detail [switch <default>] [active [switch <default>]]]
[interface {Extreme-Ethernet <interface-id> | gigabitethernet <inter-
face-id>} [active] [cost] [detail] [priority] [rootcost] [state] [stats]]
[pathcost method [switch <default>]] [root [{address | cost | detail |
forward-time | id | max-age | port | priority | switch}] [summary [switch
<default>]] [switch <default>]]
```

## Parameters

| Parameter    | Type | Description                                                                                                                                                                                                                                                                                                                                                                                                                                                                                                                                                                        |
|--------------|------|------------------------------------------------------------------------------------------------------------------------------------------------------------------------------------------------------------------------------------------------------------------------------------------------------------------------------------------------------------------------------------------------------------------------------------------------------------------------------------------------------------------------------------------------------------------------------------|
| active       |      | Enter to display the spanning tree information of active ports.                                                                                                                                                                                                                                                                                                                                                                                                                                                                                                                    |
| detail       |      | Enter to display the detailed spanning tree related information of the switch and all ports enabled in the switch. The information contains status of spanning tree operation, current selected spanning mode, current spanning tree compatibility version, bridge and root priority, bridge and root addresses, port path cost, port priority, port timers, bridge and port level spanning tree statistics information, transmit hold-count value, link-type, and status of L2GP, loop guard, BPDU receive, BPDU transmit, restricted TCN, restricted role and portfast features. |
| switch       |      | Enter to display the switch name/context name.                                                                                                                                                                                                                                                                                                                                                                                                                                                                                                                                     |
| default      |      | Enter default to display the default switch.                                                                                                                                                                                                                                                                                                                                                                                                                                                                                                                                       |
| blockedports |      | Enter to display the summary of port states.                                                                                                                                                                                                                                                                                                                                                                                                                                                                                                                                       |
| switch       |      | Enter to display the switch name/context name.                                                                                                                                                                                                                                                                                                                                                                                                                                                                                                                                     |
| default      |      | Enter default to display the default switch.                                                                                                                                                                                                                                                                                                                                                                                                                                                                                                                                       |
| bridge       |      | Enter to display the he spanning tree bridge information. The information contain bridge ID, hello time, maximum age time, forward delay time and protocol enabled, for the RSTP. The information also contains the instance ID for MST.                                                                                                                                                                                                                                                                                                                                           |
| address      |      | Enter to display the MAC address of the bridge.                                                                                                                                                                                                                                                                                                                                                                                                                                                                                                                                    |
| detail       |      | Enter to display the priority, address, maximum age time and forward delay time for the bridge.                                                                                                                                                                                                                                                                                                                                                                                                                                                                                    |
| forward-time |      | Enter to display the forward time of the bridge.                                                                                                                                                                                                                                                                                                                                                                                                                                                                                                                                   |
| hello-time   |      | Enter to display the hello time of the bridge.                                                                                                                                                                                                                                                                                                                                                                                                                                                                                                                                     |
| id           |      | Enter to display the ID of the bridge.                                                                                                                                                                                                                                                                                                                                                                                                                                                                                                                                             |
| max-age      |      | Enter to display the maximum age time of the bridge.                                                                                                                                                                                                                                                                                                                                                                                                                                                                                                                               |
| priority     |      | Enter to display the priority of the bridge.                                                                                                                                                                                                                                                                                                                                                                                                                                                                                                                                       |
| protocol     |      | Enter to display the protocol currently enabled in the bridge.                                                                                                                                                                                                                                                                                                                                                                                                                                                                                                                     |
| switch       |      | Enter to display the switch related information.                                                                                                                                                                                                                                                                                                                                                                                                                                                                                                                                   |
| interface    |      | Enter to display the interface-specific information of active ports.                                                                                                                                                                                                                                                                                                                                                                                                                                                                                                               |

| Parameter           | Type | Description                                                                                                                                                                             |
|---------------------|------|-----------------------------------------------------------------------------------------------------------------------------------------------------------------------------------------|
| Gigabitethernet     |      | Enter to display gigabitethernet type of interface. Gigabitethernet is a version of LAN standard architecture that supports data transfer up to 1 Gigabit per second.                   |
| <interface-id>      |      | Enter to display a specific slot number / port number. The format is <0>/<1-28> without spaces between Slot Number/Port Number. For example, 0/1.                                       |
| Extreme-Ethernet    |      | Enter to display the Extreme-Ethernet type of interface. Extreme Ethernet is a version of Ethernet that supports data transfer up to 10 Gigabits per second and only full duplex links. |
| <interface-id>      |      | Enter to display a specific slot number / port number. The format is <0>/<1-28> without spaces between Slot Number/Port Number. For example, 0/1.                                       |
| bpduguard           |      | Enter to display the spanning tree BPDU guard for RSTP and MSTP.                                                                                                                        |
| cost                |      | Enter to display the summary of port states.                                                                                                                                            |
| detail              |      | Enter to display the detailed information about the port and bridge port cost.                                                                                                          |
| encapsulationtype   |      | Enter to display the spanning tree encapsulation type.                                                                                                                                  |
| inconsistency       |      | Enter to display the Spanning-tree inconsistent state for RSTP, MSTP and PVRST.                                                                                                         |
| layer2-gateway-port |      | Enter to display the spanning tree layer two gateway port specific configuration.                                                                                                       |
| portfast            |      | Enter to display the spanning tree portfast state.                                                                                                                                      |
| priority            |      | Enter to display the spanning tree port priority.                                                                                                                                       |
| restricted-role     |      | Enter to display the spanning-tree restricted role.                                                                                                                                     |
| restricted-tcn      |      | Enter to display the spanning-tree restricted topology change.                                                                                                                          |
| rootcost            |      | Enter to display the spanning tree rootcost (pathcost to reach the root) value.                                                                                                         |
| state               |      | Enter to display the spanning tree state.                                                                                                                                               |
| stats               |      | Enter to display the input and output packets by switching path for the interface.                                                                                                      |
| layer2-gateway-port |      | Enter to display the spanning tree layer two gateway port specific configuration.                                                                                                       |



| Parameter                 | Type | Description                                                                                                                                                                                                                                                                                                                     |
|---------------------------|------|---------------------------------------------------------------------------------------------------------------------------------------------------------------------------------------------------------------------------------------------------------------------------------------------------------------------------------|
| switch                    |      | Enter to display the switch name/context name.                                                                                                                                                                                                                                                                                  |
| default                   |      | Enter default to display the default switch.                                                                                                                                                                                                                                                                                    |
| mst                       |      | Enter to display the MST instance related information.                                                                                                                                                                                                                                                                          |
| <instance-id<br>(0-4094)> |      | Enter a value for the multiple spanning tree port specific information for the specified MSTI. This value ranges from 1 to 64. The special value 4094 can be used only in the switch that supports PBB-TE. This special value represents PTETID that identifies VID used by ESPs. display the MST instance related information. |
| configuration             |      | Enter to display the multiple spanning tree instance related information. This information contains the MST region name, MST region revision, and a list containing MSTI IDs and VLAN IDs mapped to the corresponding MSTI.                                                                                                     |
| switch                    |      | Enter to display the switch name/context name.                                                                                                                                                                                                                                                                                  |
| default                   |      | Enter default to display the default switch.                                                                                                                                                                                                                                                                                    |
| detail                    |      | Enter to display the spanning tree information of active ports.                                                                                                                                                                                                                                                                 |
| switch                    |      | Enter to display the switch name/context name.                                                                                                                                                                                                                                                                                  |
| default                   |      | Enter default to display the default switch.                                                                                                                                                                                                                                                                                    |
| interface                 |      | Enter to display the spanning tree information of active ports.                                                                                                                                                                                                                                                                 |
| Gigabitethernet           |      | Enter to display gigabitethernet type of interface. Gigabitethernet is a version of LAN standard architecture that supports data transfer up to 1 Gigabit per second.                                                                                                                                                           |
| <interface-id>            |      | Enter to display a specific slot number / port number. The format is <0>/<1-28> without spaces between Slot Number/Port Number. For example, 0/1.                                                                                                                                                                               |
| Extreme-Ethernet          |      | Enter to display the Extreme-Ethernet type of interface. Extreme Ethernet is a version of Ethernet that supports data transfer up to 10 Gigabits per second and only full duplex links                                                                                                                                          |
| <interface-id>            |      | Enter to display a specific slot number / port number. The format is <0>/<1-28> without spaces between Slot Number/Port Number. For example, 0/1.                                                                                                                                                                               |

| Parameter        | Type | Description                                                                                                                                                                                                                                                                                                                                   |
|------------------|------|-----------------------------------------------------------------------------------------------------------------------------------------------------------------------------------------------------------------------------------------------------------------------------------------------------------------------------------------------|
| detail           |      | Enter to display the detailed multiple spanning tree port specific information for the specified interface. The information contain port priority, port cost, root address, priority and cost, IST address, priority and cost, bridge address, priority and cost, forward delay, maximum age, maximum hop count, and BPDUs sent and received. |
| hello-time       |      | Enter to display the hello time of the MSTIs assigned to the specified interface.                                                                                                                                                                                                                                                             |
| stats            |      | Enter to display the number of BPDUs sent and received for the MSTIs assigned to the specified interface.                                                                                                                                                                                                                                     |
| switch           |      | Enter to display the switch name/context name.                                                                                                                                                                                                                                                                                                |
| default          |      | Enter default to display the default switch.                                                                                                                                                                                                                                                                                                  |
| pathcost         |      | Enter to display the port pathcost method configured for the switch.                                                                                                                                                                                                                                                                          |
| method           |      | Enter to display the port pathcost method configured for the switch.                                                                                                                                                                                                                                                                          |
| performance-data |      | Enter to display the spanning tree information of active ports.                                                                                                                                                                                                                                                                               |
| interface        |      | Enter to display the spanning-tree performance related information for the specified type of interface.                                                                                                                                                                                                                                       |
| Gigabitethernet  |      | Enter to display gigabitethernet type of interface. Gigabitethernet is a version of LAN standard architecture that supports data transfer up to 1 Gigabit per second.                                                                                                                                                                         |
| <interface-id>   |      | Enter to display a specific slot number / port number. The format is <0>/<1-28> without spaces between Slot Number/Port Number. For example, 0/1.                                                                                                                                                                                             |
| Extreme-Ethernet |      | Enter to display the Extreme-Ethernet type of interface. Extreme Ethernet is a version of Ethernet that supports data transfer up to 10 Gigabits per second and only full duplex links                                                                                                                                                        |
| <interface-id>   |      | Enter to display a specific slot number / port number. The format is <0>/<1-28> without spaces between Slot Number/Port Number. For example, 0/1.                                                                                                                                                                                             |
| instance         |      | Enter to display spanning-tree performance data for the specified MST Instance ID.                                                                                                                                                                                                                                                            |
| root             |      | Enter to display the spanning-tree root information.<br><b>NOTE:</b> This configuration is not supported in PVRST Mode.                                                                                                                                                                                                                       |

| Parameter        | Type | Description                                                                                                                                                                                                                                                                                                                                                                                                                                                                                                                                                                                                                                                                      |
|------------------|------|----------------------------------------------------------------------------------------------------------------------------------------------------------------------------------------------------------------------------------------------------------------------------------------------------------------------------------------------------------------------------------------------------------------------------------------------------------------------------------------------------------------------------------------------------------------------------------------------------------------------------------------------------------------------------------|
| address          |      | Enter to display the MAC address of the bridge.                                                                                                                                                                                                                                                                                                                                                                                                                                                                                                                                                                                                                                  |
| cost             |      | Enter to display the cost of the root bridge.                                                                                                                                                                                                                                                                                                                                                                                                                                                                                                                                                                                                                                    |
| detail           |      | Enter to display detailed information for the port and bridge.                                                                                                                                                                                                                                                                                                                                                                                                                                                                                                                                                                                                                   |
| forward-time     |      | Enter to display the forward time of the root bridge.                                                                                                                                                                                                                                                                                                                                                                                                                                                                                                                                                                                                                            |
| hello-time       |      | Enter to display the hello time of the root bridge.                                                                                                                                                                                                                                                                                                                                                                                                                                                                                                                                                                                                                              |
| id               |      | Enter to display the ID of the root bridge.                                                                                                                                                                                                                                                                                                                                                                                                                                                                                                                                                                                                                                      |
| max-age          |      | Enter to display the maximum age time of the root bridge.                                                                                                                                                                                                                                                                                                                                                                                                                                                                                                                                                                                                                        |
| port             |      | Enter to display the root port.                                                                                                                                                                                                                                                                                                                                                                                                                                                                                                                                                                                                                                                  |
| priority         |      | Enter to display the priority of the root bridge.                                                                                                                                                                                                                                                                                                                                                                                                                                                                                                                                                                                                                                |
| switch           |      | Enter to display the switch related information.                                                                                                                                                                                                                                                                                                                                                                                                                                                                                                                                                                                                                                 |
| summary          |      | Enter to display the spanning tree information of active ports.                                                                                                                                                                                                                                                                                                                                                                                                                                                                                                                                                                                                                  |
| switch           |      | Enter to display the switch related information.                                                                                                                                                                                                                                                                                                                                                                                                                                                                                                                                                                                                                                 |
| vlan             |      | Enter to display the interface specific PVRST information for the specified VLAN.                                                                                                                                                                                                                                                                                                                                                                                                                                                                                                                                                                                                |
| <vlan-id/vfi_id> |      | <p>Enter a number for VLAN / VFI ID.</p> <ul style="list-style-type: none"> <li>• &lt;vlan -id&gt; - VLAN ID is a unique value that represents the specific VLAN. This value ranges from 1 to 4094</li> <li>• VFI ID is a VLAN created in the system which contains Pseudo wires and Attachment Circuits as member ports. This creates a logical LAN for the VPLS service. This value ranges from 4096 to 65535</li> </ul> <p><b>NOTE:</b> The VLAN ID 4095 is reserved and may be used to indicate a wildcard match for the VID in management operations or Filtering Database entries.</p> <p><b>NOTE:</b> VFI IDs 4096 and 4097 are reserved identifiers used in MPLS PW.</p> |
| active           |      | Enter to display the PVRST related information for the specified active VLAN ID.                                                                                                                                                                                                                                                                                                                                                                                                                                                                                                                                                                                                 |

| Parameter        | Type | Description                                                                                                                                                                                                                                                                                                                                                                                  |
|------------------|------|----------------------------------------------------------------------------------------------------------------------------------------------------------------------------------------------------------------------------------------------------------------------------------------------------------------------------------------------------------------------------------------------|
| detail           |      | Enter to display the detailed PVRST related information for the specified active VLAN ID. The information contains current selected spanning Mode, current spanning tree compatibility version, bridge and root priority, bridge and root addresses, port path cost, port priority, timer values, bridge and port level spanning tree statistics information, and transmit hold-count value. |
| switch           |      | Enter to display the PVRST related information for the switch name/context name.                                                                                                                                                                                                                                                                                                             |
| default          |      | Enter default to display the PVRST related information for the default switch.                                                                                                                                                                                                                                                                                                               |
| blockedports     |      | Enter to display the list of ports in blocked state and the total number of blocked ports for the specified VLAN.                                                                                                                                                                                                                                                                            |
| switch           |      | Enter to display the PVRST related information for the switch name/context name.                                                                                                                                                                                                                                                                                                             |
| default          |      | Enter default to display the PVRST related information for the default VLAN.                                                                                                                                                                                                                                                                                                                 |
| active           |      | Enter to display the PVRST related information for the specified active VLAN ID.                                                                                                                                                                                                                                                                                                             |
| switch           |      | Enter to display the PVRST related information for the switch name/context name.                                                                                                                                                                                                                                                                                                             |
| default          |      | Enter default to display the PVRST related information for the default switch.                                                                                                                                                                                                                                                                                                               |
| interface        |      | Enter to display interface specific PVRST related information for the specified type of interface                                                                                                                                                                                                                                                                                            |
| Gigabitethernet  |      | Enter to display gigabitethernet type of interface. Gigabitethernet is a version of LAN standard architecture that supports data transfer up to 1 Gigabit per second.                                                                                                                                                                                                                        |
| <interface-id>   |      | Enter to display a specific slot number / port number. The format is <0>/<1-28> without spaces between Slot Number/Port Number. For example, 0/1.                                                                                                                                                                                                                                            |
| Extreme-Ethernet |      | Enter to display the Extreme-Ethernet type of interface. Extreme Ethernet is a version of Ethernet that supports data transfer up to 10 Gigabits per second and only full duplex links.                                                                                                                                                                                                      |

| Parameter      | Type | Description                                                                                                                                                                              |
|----------------|------|------------------------------------------------------------------------------------------------------------------------------------------------------------------------------------------|
| <interface-id> |      | Enter to display a specific slot number / port number. The format is <0>/<1-28> without spaces between Slot Number/Port Number. For example, 0/1.                                        |
| active         |      | Enter to display the detailed PVRST related information for the specified active VLAN ID.                                                                                                |
| cost           |      | Enter to display the cost of the specified port.                                                                                                                                         |
| detail         |      | Enter to display the detailed interface specific PVRST related information for the port.                                                                                                 |
| priority       |      | Enter to display the priority of the specified port.                                                                                                                                     |
| rootcost       |      | Enter to display the root cost of the port. The root cost defines the pathcost to reach the root bridge.                                                                                 |
| state          |      | Enter to display the state of the port.                                                                                                                                                  |
| stats          |      | Enter to display the port level spanning tree statistics information.                                                                                                                    |
| pathcost       |      | Enter to display the port pathcost method configured for the specified VLAN.                                                                                                             |
| method         |      | Enter to display the port pathcost method configured for the specified VLAN.                                                                                                             |
| switch         |      | Enter to display the PVRST related information for the switch name/context name                                                                                                          |
| default        |      | Enter default to display the PVRST related information for the default switch.                                                                                                           |
| root           |      | Enter to display the spanning-tree root information.<br><b>NOTE:</b> This configuration is not supported in PVRST Mode.                                                                  |
| address        |      | Enter to display the MAC address of the root.                                                                                                                                            |
| cost           |      | Enter to display the cost of the root.                                                                                                                                                   |
| detail         |      | Enter to display detailed PVRST related information for the root. This information contain root priority, root address, root cost, root port, hello time, maximum age and forward delay. |
| forward-time   |      | Enter to display the forward time of the root.                                                                                                                                           |
| hello-time     |      | Enter to display the hello time of the root.                                                                                                                                             |
| id             |      | Enter to display the ID of the root.                                                                                                                                                     |

| Parameter | Type | Description                                                                  |
|-----------|------|------------------------------------------------------------------------------|
| max-age   |      | Enter to display the maximum age time of the root.                           |
| port      |      | Enter to display the root.                                                   |
| priority  |      | Enter to display the priority of the root bridge.                            |
| system-id |      | Enter to display the Bridge system ID.                                       |
| switch    |      | Enter to display the switch related information.                             |
| default   |      | Enter default to display the PVRST related information for the default VLAN. |
| summary   |      | Enter to display the summary of port states                                  |
| switch    |      | Enter to display the switch related information.                             |
| default   |      | Enter default to display the PVRST related information for the default VLAN. |

## Mode

Privileged EXEC Mode

## Examples

iS5Comm # show spanning-tree

```

Spanning-tree for VLAN 1

We are the root of the Spanning Tree
Root Id Priority 32769
Address e8:e8:75:90:0b:01
Cost 0
Port 0
Hello Time 2 sec 0 cs, Max Age 20 sec 0 cs, Forward Delay 15 sec 0 cs

Spanning Tree Enabled Protocol PVRST
Bridge Id Priority 32769
Address e8:e8:75:90:0b:01
Hello Time 2 sec 0 cs, Max Age 20 sec 0 cs, Forward Delay 15 sec 0 cs
Dynamic Path Cost is Disabled
Dynamic Path Cost Lag-Speed Change is Disabled

```

| Name   | Role       | State      | Cost  | Prio | Type  |
|--------|------------|------------|-------|------|-------|
| ----   | ----       | -----      | ----  | ---- | ----- |
| Gi0/11 | Designated | Forwarding | 20000 | 128  | P2P   |
| Ex0/2  | Designated | Forwarding | 2000  | 128  | P2P   |

**iS5Comm# show spanning-tree active detail switch default**

Spanning-tree for VLAN 1

Bridge is executing the rstp compatible PVRST Protocol

Bridge Identifier has priority 32769, Address e8:e8:75:90:0b:01

Configured Hello time 2 sec 0 cs, Max Age 20 sec 0 cs, Forward Delay 15 sec 0 cs

Dynamic Path Cost is Disabled

We are the root of the spanning tree

Number of Topology Changes 0

Time since topology Change 0 seconds ago

Transmit Hold-Count 6

Root Times: Max Age 20 sec 0 cs, Forward Delay 15 sec 0 cs, Hello Time 2 sec 0 cs

Port 11 [Gi0/11] of VLAN 1 is Designated, Forwarding

Port PathCost 20000 , Port Priority 128 , Port Identifier 128.11

Designated Root has priority 32769, address e8:e8:75:90:0b:01

Designated Bridge has priority 32769, address e8:e8:75:90:0b:01

Designated Port Id is 128.11, Designated PathCost 0

Timers: Hello Time - 2 sec 0 cs, MaxAge - 20 sec 0 cs,

Forward Delay - 15 sec 0 cs, Hold - 1 sec 0 cs

No of Transitions to forwarding State :3

BPDUUs : sent 2755 , received 0

Bpdu Guard is None

Root Guard is Disabled

BPDU filter is Disabled

Port 26 [Ex0/2] of VLAN 1 is Designated, Forwarding

Port PathCost 2000 , Port Priority 128 , Port Identifier 128.26

Designated Root has priority 32769, address e8:e8:75:90:0b:01

Designated Bridge has priority 32769, address e8:e8:75:90:0b:01

Designated Port Id is 128.26, Designated PathCost 0

```

Timers: Hello Time - 2 sec 0 cs, MaxAge - 20 sec 0 cs,
Forward Delay - 15 sec 0 cs, Hold - 1 sec 0 cs
No of Transitions to forwarding State :1
BPDUs : sent 2758 , received 0
Bpdu Guard is None
Root Guard is Disabled
BPDU filter is Disabled

```

#### iS5Comm# show spanning-tree blockedports switch default

```
% Blocked Ports can be retrieved per VLAN basis in PVRST
```

#### iS5Comm# show spanning-tree bridge address

```
Bridge Address is e8:e8:75:90:2e:01
```

#### iS5Comm# show spanning-tree bridge forward-time

```
Bridge Forward delay is 15 sec
```

#### iS5Comm# show spanning-tree bridge

| Bridge ID<br>Protocol   | HelloTime | MaxAge   | FwdDly         |
|-------------------------|-----------|----------|----------------|
| 80:00:e8:e8:75:90:2e:01 | 02s 00cs  | 20s 00cs | 15 s 0 cs rstp |

#### iS5Comm# show spanning-tree bridge hello-time

```
Bridge Hello Time is 2 sec 0 cs
```

#### iS5Comm# show spanning-tree bridge id

```
Bridge ID is 80:00:e8:e8:75:90:2e:01
```

#### iS5Comm# show spanning-tree bridge max-age

```
Bridge Max Age is 20 sec 0 cs
```

#### iS5Comm# show spanning-tree bridge protocol

```
Bridge Protocol Running is RSTP
```

#### iS5Comm# show spanning-tree bridge priority

```
Bridge Priority is 32768
```

#### iS5Comm# show spanning-tree bridge detail

```

Bridge Id Priority 32768,
Address e8:e8:75:90:2e:01
Hello Time 2sec 0cs,
Max Age 20sec 0cs,
Forward Delay 15 sec 0 cs

```

#### iS5Comm# show spanning-tree detail

```

spanning-tree portfast bpduguard disable
Forward delay optimization alternate-role Enabled
Spanning tree Protocol Enabled.

```



```

Bridge is executing the STP compatible Rapid Spanning Tree Protocol
Bridge Identifier has priority 32768, Address e8:e8:75:90:0b:01
Configured Hello time 2 sec 0 cs, Max Age 20 sec 0 cs,
Forward Delay 30 sec 0 cs
Dynamic Path Cost Enabled
Flush Interval 0 centi-sec, Flush Invocations 35
Flush Indication threshold 0
We are the root of the spanning tree
Number of Topology Changes 1
Time since topology Change 4250 seconds ago
Transmit Hold-Count 6
Root Times: Max Age 20 sec 0 cs Forward Delay 30 sec 0 cs
Hello Time 2 sec 0 cs
Port 10 [Gi0/10] is Designated, Forwarding
Port PathCost 20000, Port Priority 128, Port Identifier 128.10
Designated Root has priority 32768, address e8:e8:75:90:0b:01
Designated Bridge has priority 32768, address e8:e8:75:90:0b:01
Designated Port Id is 128.10, Designated PathCost 0
No of Transitions to forwarding State :32
Auto-Edge is enabled
PortFast is disabled, Oper-Edge is disabled
LinkType is point to Point
BPDUs : sent 67637 , received 0
Timers: Hello - 1, Forward Delay - 0, Topology Change - 0,
Error Disable Recovery Interval 300 sec 0 cs
Restricted Role is disabled.
Restricted TCN is disabled.
bpdu-transmit enabled
bpdu-receive enabled
Root Guard is disabled.
Loop Guard is disabled.
Dot1W mode disabled.

```

**show spanning-tree interface gigabitethernet 0/1 bpduguard**

```
Bpdu Guard is None
```

**iS5Comm# show spanning-tree interface gigabitethernet 0/1 layer2-gateway-port switch default**

```
Switch default
```

```
Port Gi0/1 PseudoRootId
```

| Instance | Priority | MacAddress        | State      |
|----------|----------|-------------------|------------|
| MST00    | 4096     | 00:00:11:22:33:44 | Forwarding |

```

MST01 8192 00:00:12:34:45:55 Forwarding
MST02 4096 00:00:12:34:45:5a Forwarding

```

## iS5Comm# show spanning-tree mst 1

```

MST01
Vlans mapped: 2
Bridge Address e8:e8:75:90:0b:01 Priority 32768
Root Address e8:e8:75:90:0b:01 Priority 32768
Root this switch for MST01
Interface Role Sts Cost Prio.Nbr Type

```

## iS5Comm# show spanning-tree mst configuration

```

Name [regionone]
Revision 100
Max-Instance 1
Instance Vlans mapped

0 1,3-1024,1025-2048,2049-3072,
 3073-4094
1 2

```

## iS5Comm# show spanning-tree mst 1 interface gigabitethernet 0/1

```

Switch default
Gi0/1 of MST00 is Disabled , Discarding
Edge port: no
Link type: Shared
Port Hello Timer: 2 sec 0 cs
Bpdus sent 0 , Received 0
Instance Role Sts Cost Prio.Nbr

0 Disabled Discarding 200000 128.1

```

## iS5Comm# show spanning-tree mst 1 interface gigabitethernet 0/1 stats

```

MST01 Bpdus sent 2, Received 0

```

## iS5Comm# show spanning-tree mst 1 interface gigabitethernet 0/1 hello-time

```

MST01 2 secs 0 cs

```

## iS5Comm# show spanning-tree mst 1 interface gigabitethernet 0/1 detail

```

Gi0/1 of MST01 is Master , Forwarding
Port info port id 128.1 priority 128 cost 200000
Designated root address 00:01:02:03:04:11 priority 32768 cost 0

```

```
Designated bridge address 00:01:02:03:04:11 priority 32768 port id
128.1
```

iS5Comm# show spanning-tree performance-data

```
STP Performance data
=====
Received Event Time Stamp(In millisecs) : 0
Port State Change Time Stamp(In millisecs) : 527555293
```

iS5Comm# show spanning-tree performance-data int gi 0/1

```
STP Performance data at Port 1
=====
Rcvd Event Time Stamp(In millisecs) : 0
Rcvd Event : PORT_DOWN
Rcvd State Change Time Stamp(In millisecs) : 527552273
```

iS5Comm# show spanning-tree root

| Root ID                 | RootCost | MaxAge     | FwdDly     | RootPort |
|-------------------------|----------|------------|------------|----------|
| -----                   | -----    | -----      | -----      | -----    |
| 80:00:e8:e8:75:90:0b:01 | 0        | 20sec 00cs | 30sec 00cs | 0        |

iS5Comm# show spanning-tree root address

```
Root Bridge Address is e8:e8:75:90:0b:01
```

iS5Comm# show spanning-tree root cost

```
Root Cost is 0
```

iS5Comm# show spanning-tree root forward-time

```
Root Bridge Id is 80:00:e8:e8:75:90:0b:01
```

iS5Comm# show spanning-tree root max-age

```
Root MaxAge is 20 secs 0 cs
```

iS5Comm# show spanning-tree root port

```
Root Port is 0
```

iS5Comm# show spanning-tree root priority

```
Root Priority is 32768
```

iS5Comm# show spanning-tree root detail

```
We are the root of the Spanning Tree
Root Id Priority 32768
Address e8:e8:75:90:0b:01
Cost 0
Port 0
Max Age 20 sec 0 cs, Forward Delay 30 sec 0 cs
Hello Time 2 sec 0 cs
```

iS5Comm# show spanning-tree root switch default

| Root ID                 | RootCost | MaxAge     | FwdDly     | RootPort |
|-------------------------|----------|------------|------------|----------|
| -----                   | -----    | -----      | -----      | -----    |
| 80:00:e8:e8:75:90:0b:01 | 0        | 20sec 00cs | 30sec 00cs | 0        |

**iS5Comm# show spanning-tree blockedports**

Blocked Interfaces List:

Gi0/1,Gi0/2,Gi0/3,Gi0/4,Gi0/5,Gi0/6,Gi0/7,Gi0/8,Gi0/9,Gi0/11,Gi0/12,Gi0/13,Gi0/14,Gi0/15,Gi0/16,Gi0/17,Gi0/18,Gi0/19,Gi0/20,Gi0/21,Gi0/22,Gi0/23,Gi0/24,Ex0/1,Ex0/2,Ex0/3,Ex0/4,p01,p02,

The Number of Blocked Ports in the system is :29

**iS5Comm# show spanning-tree pathcost method**

Spanning Tree port pathcost method is Long

**iS5Comm# show spanning-tree summary**

Spanning tree enabled protocol is RSTPSpanning Tree port pathcost method is Long

RSTP Port Roles and States

| Port-Index | Port-Role  | Port-State | Port-Status |
|------------|------------|------------|-------------|
| -----      | -----      | -----      | -----       |
| Gi0/1      | Disabled   | Discarding | Enabled     |
| Gi0/2      | Disabled   | Discarding | Enabled     |
| Gi0/3      | Disabled   | Discarding | Enabled     |
| Gi0/4      | Disabled   | Discarding | Enabled     |
| Gi0/5      | Disabled   | Discarding | Enabled     |
| Gi0/6      | Disabled   | Discarding | Enabled     |
| Gi0/7      | Disabled   | Discarding | Enabled     |
| Gi0/8      | Disabled   | Discarding | Enabled     |
| Gi0/9      | Disabled   | Discarding | Enabled     |
| Gi0/10     | Designated | Forwarding | Enabled     |
| Gi0/11     | Disabled   | Discarding | Enabled     |
| Gi0/12     | Disabled   | Discarding | Enabled     |
| Gi0/13     | Disabled   | Discarding | Enabled     |
| Gi0/14     | Disabled   | Discarding | Enabled     |
| Gi0/15     | Disabled   | Discarding | Enabled     |
| Gi0/16     | Disabled   | Discarding | Enabled     |
| Gi0/17     | Disabled   | Discarding | Enabled     |
| Gi0/18     | Disabled   | Discarding | Enabled     |
| Gi0/19     | Disabled   | Discarding | Enabled     |
| Gi0/20     | Disabled   | Discarding | Enabled     |
| Gi0/21     | Disabled   | Discarding | Enabled     |
| Gi0/22     | Disabled   | Discarding | Enabled     |
| Gi0/23     | Disabled   | Discarding | Enabled     |

```

Gi0/24 Disabled Discarding Enabled
Ex0/1 Disabled Discarding Enabled
Ex0/2 Disabled Discarding Enabled
Ex0/3 Disabled Discarding Enabled
Ex0/4 Disabled Discarding Enabled

```

**iS5Comm# show spanning-tree vlan 1 blockedports switch default**

```

Switch default
Blocked Interfaces List:
The Number of Blocked Ports in the system is :0

```

**iS5Comm# show spanning-tree vlan 1 pathcost-method switch default**

```

Switch default
Spanning Tree port pathcost method is Long
iS5Comm# show spanning-tree vlan 1 summary switch default

```

```

Switch default
Spanning tree enabled protocol is PVRST
Spanning-tree pathcost method is long
PVRST Port Roles and States
Port-Index Port-Role Port-State Port-Status

1 Designated Discarding Enabled
2 Designated Forwarding Enabled

```

**iS5Comm# show spanning-tree vlan 1**

```

Spanning-tree for VLAN 1
We are the root of the Spanning Tree
Root Id Priority 32769
Address e8:e8:75:90:0b:01
Cost 0
Port 0
Hello Time 2 sec 0 cs, Max Age 20 sec 0 cs, Forward Delay 15 secn0 cs
Spanning Tree Enabled Protocol PVRST
Bridge Id Priority 32769
Address e8:e8:75:90:0b:01
Hello Time 2 sec 0 cs, Max Age 20 sec 0 cs, Forward Delay 15 sec 0 cs
Dynamic Path Cost is Disabled
Dynamic Path Cost Lag-Speed Change is Disabled
Name Role State Cost Prio Type
---- -
Gi0/11 Designated Forwarding 20000 128 P2P
Ex0/2 Designated Forwarding 2000 128 P2P

```

```
iS5Comm# show spanning-tree vlan 1 bridge
```

```

Bridge ID HelloTime MaxAge FwdDly Protocol

80:00:00:01:02:03:04:01 2 sec 0 cs 20 sec 0 cs 15 sec 0 cs Pvrst

```

## 15.19. shutdown spanning-tree

To shut down spanning tree functionality in the switch, use the command **shutdown spanning-tree** in Global Configuration Mode. The switch does not execute any kind of STP to form a loop free topology in the Ethernet network and operates with the existing topology structure.

**shutdown spanning-tree**

### Mode

Global Configuration Mode

### Default

Spanning tree MSTP is started and enabled in the switch..

### Examples

```
iS5Comm(config)# tcp max retries 1
```

## 15.20. spanning-tree

To enable and define spanning tree operation, use the **spanning-tree** command in Global Configuration Mode. Spanning tree operation provides path redundancy while preventing undesirable loops in the network that are created by multiple active paths between stations. It logically breaks such loops and prevents looping traffic from clogging the network. The no form of this command disables the spanning tree operation in the switch and resets the spanning tree related information to its default values. The spanning tree operation is automatically enabled in the switch, once the spanning tree Mode is changed. The default spanning tree algorithm is rapid spanning tree. Note that the spanning tree operation can be enabled in the switch only if the spanning tree functionality has not been shut down in the switch.

### spanning-tree

```

spanning-tree [compatibility {stp | rst | mst}]
 [flush-indication-threshold <value (0-65535)>]

```

```
[flush-interval <centi-seconds (0-500)>] [forward-time <seconds(4-30)>]
[forwarddelay optimization alternate-role {disabled | enabled}]
[hello-time <seconds(0-20)>] [max-age <seconds (6-40)>]
[mode {mst | pvrst| pvst| rapid-pvst| rst}]
[mst {<instance ID <instance ID (1-64) {primary | secondary} {priority
<value (0-61440)> | flush-indication-threshold <value (0-65535)>} | configu-
ration | forward-time <seconds(4-30) | hello-time <seconds(0-2)> |
instance-id <(1-64)>| max-age <seconds (6-40)> | max-hops <(6-40)> |
max-instance | <(1-64)>}]
[pathcost dynamic [lag-speed]] [portfast bpduguard default] [priority
<value (0-61440)>] [transmit hold-count <value (0-61440)>]
[vlan <vlan-id/vfi_id> {brg-priority <integer(0-61440)> | forward-time
<seconds(4-30)> | hello-time <seconds(0-2)> | hold-count <value (1-10)> |
max-age <seconds (6-40)> | brg-priority <integer(0-61440)> | root {primary |
secondary}}
```

**no spanning-tree**

```
spanning-tree {compatibility | flush-indication-threshold| flush-interval |
forward-time | forwarddelay | hello-time | max-age | mode | mst | pathcost |
portfast | priority | transmit | vlan}
```

## Parameters

| Parameter                  | Type    | Description                                                                                                                                                                                                                                                                                                                                                                                                                                                                                                                                                                                                                                         |
|----------------------------|---------|-----------------------------------------------------------------------------------------------------------------------------------------------------------------------------------------------------------------------------------------------------------------------------------------------------------------------------------------------------------------------------------------------------------------------------------------------------------------------------------------------------------------------------------------------------------------------------------------------------------------------------------------------------|
| compatibility              |         | Enter to set the STP compatibility version in the switch for all ports.                                                                                                                                                                                                                                                                                                                                                                                                                                                                                                                                                                             |
| stp                        |         | Enter to configure Spanning Tree Protocol configuration.                                                                                                                                                                                                                                                                                                                                                                                                                                                                                                                                                                                            |
| rst                        |         | Enter to configure Rapid Spanning Tree configuration.                                                                                                                                                                                                                                                                                                                                                                                                                                                                                                                                                                                               |
| mst                        |         | Enter to configure Multiple Spanning Tree configuration.                                                                                                                                                                                                                                                                                                                                                                                                                                                                                                                                                                                            |
| flush-indication-threshold |         | Enter to configure the flush indication threshold value for a specific instance. When flush indication threshold is default value and flush interval is non-default value, instance based flushing occurs during the first flush indication trigger. When the flush indication threshold value is non-default (x) and flush-interval value is non-default, port & instance based flushing is triggered until the threshold (x) is reached. Once the threshold is reached, instance based flushing is triggered & timer starts.                                                                                                                      |
| <value<br>(0-65535)>       | Integer | Enter a value to indicate the number of flush indications to go before the flush-interval timer method triggers and ranges from 0 (default) to 65535.                                                                                                                                                                                                                                                                                                                                                                                                                                                                                               |
| flush-interval             |         | Enter to configure the flush interval timer value (in centi-seconds).                                                                                                                                                                                                                                                                                                                                                                                                                                                                                                                                                                               |
| <centi-seconds<br>(0-500)> | Integer | Enter a value to indicate the number of flush indications invoked from spanning-tree module per instance basis. This value ranges from 0 to 500 hundredths of a second. If the flush interval timer is set to zero, port and instance based flushing occurs (default functionality). If it is set to non-zero, instance based flushing occurs (dependent on the flush-indication-threshold value).                                                                                                                                                                                                                                                  |
| forward-time               |         | Enter to configure the number of seconds for which a port waits before changing from the blocking state to the forwarding state. The values configured for the spanning tree timers should satisfy the following conditions:<br>$2 * (\text{forward-time} - 1) \geq \text{max-age}$ , and<br>$\text{max-age} \geq 2 * (\text{hello-time} + 1)$<br>The STP timers can be configured in the switch, only if the spanning tree functionality has not been shut down in the switch. The type of spanning tree mode should be set, if the functionality is already shutdown.<br>This spanning tree timer's configuration is not supported in PVRST mode. |



| Parameter           | Type    | Description                                                                                                                                                                                                                                                        |
|---------------------|---------|--------------------------------------------------------------------------------------------------------------------------------------------------------------------------------------------------------------------------------------------------------------------|
| <seconds<br>(4-30)> | Integer | Enter a value to indicate the forward time. This value ranges from 4 to 30 seconds. In MSTP, this time configuration is applied for IST root (that is, MSTI 0). The default is 15 seconds.                                                                         |
| hello-time          |         | Enter to configure the time interval (in seconds) between two successive configuration BPDUs generated by the root switch. This value is configured on per-port basis for MSTP and is configured globally for RST.                                                 |
| <seconds<br>(0-2)>  | Integer | Enter a value for hello- time. This value should be either 1 or 2 seconds. The default is 2 seconds.                                                                                                                                                               |
| max-age             |         | Enter to configure the maximum expected arrival time (in seconds) of hello BPDUs. STP information learned from network on any port is discarded, once the configured arrival time expires. The spanning tree topology is re-computed after this time interval.     |
| <seconds<br>(6-40)> | Integer | Enter a value representing maximum age. This value ranges from 6 to 40 seconds. In MSTP, this time configuration is applied for IST root (that is, MSTI 0). The default is 20 seconds.                                                                             |
| forwarddelay        |         | Enter to configure the forward delay timer                                                                                                                                                                                                                         |
| optimization        |         | Enter for optimization for spanning-tree related protocol during transition from alternate to designated port role.                                                                                                                                                |
| alternate-role      |         | Enter to configure the alternate port role transition by optimized configuration.                                                                                                                                                                                  |
| disabled            |         | Enter to disable optimization for spanning-tree related protocol in alternate port role transition. All ports while transitioning from ALTERNATE-DESIGNATED will have fdWhile set to fwdDelay.                                                                     |
| mode                |         | Enter to set the type of spanning tree to be executed, enable spanning tree operation and start spanning tree functionality in the switch.                                                                                                                         |
| mst                 |         | Enter to configure the switch to execute MSTP for preventing undesirable loops. MSTP configures spanning tree on per VLAN basis or multiple VLANs per spanning tree. The mode cannot be set as mst, if the base bridge Mode is configured as transparent bridging. |

| Parameter                               | Type    | Description                                                                                                                                                                                                                                                                                                                                                                                          |
|-----------------------------------------|---------|------------------------------------------------------------------------------------------------------------------------------------------------------------------------------------------------------------------------------------------------------------------------------------------------------------------------------------------------------------------------------------------------------|
| <code>pvrst</code>                      |         | Enter to configure the switch to execute PVRST+ for preventing undesirable loops. PVRST+ is an enhancement of RSTP which works in combination with VLAN to provide better control over traffic in the network. The Mode cannot be set as pvrst, if the base bridge Mode is configured as transparent bridging. The pvrst can be set as the spanning tree Mode, only if the GVRP feature is disabled. |
| <code>pvst</code>                       |         | Enter to configure the switch to execute PVST for preventing undesirable loops. PVST maintains separate spanning tree instance for each VLAN in the network and forwards VLAN trunk for only some VLANs. The Mode cannot be set as pvst, if the base bridge Mode is configured as transparent bridging. This feature is currently not supported.                                                     |
| <code>rapid-pvst</code>                 |         | Enter to configure the switch to execute rapid PVST for preventing undesirable loops. Rapid PVST combines the functionalities of RSTP and PVST, and creates a tree for each VLAN. The Mode cannot be set as rapid-pvst, if the base bridge Mode is configured as transparent bridging. This feature is currently not supported.                                                                      |
| <code>rst</code>                        |         | Enter to configure the switch to execute RSTP for preventing undesirable loops. RSTP provides rapid recovery of connectivity following the failure of a bridge/bridge port or a LAN.                                                                                                                                                                                                                 |
| <code>mst</code>                        |         | Enter to start MST configuration                                                                                                                                                                                                                                                                                                                                                                     |
| <code>instance ID</code>                |         | Enter to configure the ID of MSTP instance already created in the switch. This option is applicable, only if the spanning tree mode is set as MST.                                                                                                                                                                                                                                                   |
| <code>&lt;instance ID (0-64)&gt;</code> | Integer | Enter an instance ID. This value ranges from 1 to 64. The special value 4094 can be used only in the switch that supports PBB-TE. This special value represents PTETID that identifies VID used by ESPs.                                                                                                                                                                                             |
| <code>root</code>                       |         | Enter to configure the switch as root.<br><b>NOTE:</b> This command executes only if <ul style="list-style-type: none"> <li>instance is created</li> <li>spanning tree mode is set as MST.</li> </ul>                                                                                                                                                                                                |
| <code>primary</code>                    |         | Enter to configure the switch as primary root. It sets high enough priority (low value) for the switch so that the switch can be made as the bridge root of the spanning-tree instance. The priority value is set as 24576.                                                                                                                                                                          |

| Parameter                  | Type    | Description                                                                                                                                                                                                                                                                                                                                                                              |
|----------------------------|---------|------------------------------------------------------------------------------------------------------------------------------------------------------------------------------------------------------------------------------------------------------------------------------------------------------------------------------------------------------------------------------------------|
| secondary                  |         | Enter to configure the switch as secondary root. Sets the switch as a secondary root, if the primary root fails. The priority value is set as 28672.                                                                                                                                                                                                                                     |
| priority                   |         | Enter to switch priority configuration for spanning tree instance                                                                                                                                                                                                                                                                                                                        |
| <priority<br>(0-61440)>    | Integer | Enter a priority value. This value ranges from 0 to 61440. The value should be set in steps of 4096, that is, you can set the value as 0, 4096, 8192, 12288, etc. The default is 32768.                                                                                                                                                                                                  |
| flush-indication-threshold |         | Enter to configure flush indication threshold.                                                                                                                                                                                                                                                                                                                                           |
| <value<br>(0-65535)>       | Integer | Enter a flush indication threshold value.                                                                                                                                                                                                                                                                                                                                                |
| configuration              |         | Enter to start MST configuration mode. In MSTP configuration mode, instance specific and MST region configuration can be done.                                                                                                                                                                                                                                                           |
| max-hops                   |         | Enter maximum number of hops allowed.                                                                                                                                                                                                                                                                                                                                                    |
| <(6-40)>                   | Integer | Enter a value representing maximum number of hops allowed. This value ranges from 6 to 40.                                                                                                                                                                                                                                                                                               |
| max-instance               |         | Enter maximum MSTP instance value.                                                                                                                                                                                                                                                                                                                                                       |
| pathcost<br>dynamic        |         | Enter to enable dynamic pathcost calculation. Note that the dynamic path cost calculation feature can be configured in the switch, only if the spanning tree functionality has not been shut down in the switch. The type of spanning tree mode should be set, if the functionality is already shutdown                                                                                  |
| lag-speed                  |         | Enter for pathcost calculated when LA port speed changes due to addition or deletion of ports in port channel. Note that the manually assigned path cost is used even if the lag speed feature is enabled in the switch when the path cost is assigned manually.                                                                                                                         |
| portfast                   |         | Enter to specify the portfast feature in the port. This feature specifies that the port is connected to only one hosts and hence can rapidly transit to forwarding. This feature can cause temporary bridging loops, if hubs, concentrators, switches, bridges and so on are connected to this port. This feature takes effect only after the interface is shutdown and turned on again. |
| bpduguard                  |         | Enter to put an interface in the error-disabled state when it receives a bridge protocol data unit (bpd).                                                                                                                                                                                                                                                                                |
| default                    |         | Enter to enable bpduguard by default on all edgeports.                                                                                                                                                                                                                                                                                                                                   |

| Parameter            | Type    | Description                                                                                                                                                                                                                                                                                                                                                                                                                                                                                                                                                                                                                                                                                                                                                                                                                                                                                                                                    |
|----------------------|---------|------------------------------------------------------------------------------------------------------------------------------------------------------------------------------------------------------------------------------------------------------------------------------------------------------------------------------------------------------------------------------------------------------------------------------------------------------------------------------------------------------------------------------------------------------------------------------------------------------------------------------------------------------------------------------------------------------------------------------------------------------------------------------------------------------------------------------------------------------------------------------------------------------------------------------------------------|
| priority             |         | Enter to configure a priority value that is assigned to the switch.                                                                                                                                                                                                                                                                                                                                                                                                                                                                                                                                                                                                                                                                                                                                                                                                                                                                            |
| <value<br>(0-61440)> | Integer | Enter a priority value for the switch and for the MSTI, in RSTP and MSTP respectively. This value ranges from 0 to 61440. The value should be set in steps of 4096, that is, you can set the value as 0, 4096, 8192, 12288 and so on.                                                                                                                                                                                                                                                                                                                                                                                                                                                                                                                                                                                                                                                                                                          |
| transmit             |         | Enter to set the transmit hold-count value for the switch, where the value is a counter that is used to limit the maximum transmission rate of the switch and to avoid flooding. This value specifies the maximum number of packets that can be sent in a given hello time interval. Note that the transmit hold count value configuration is not supported in PVRST Mode.                                                                                                                                                                                                                                                                                                                                                                                                                                                                                                                                                                     |
| hold-count           |         | Enter to configure a hold-count counter.                                                                                                                                                                                                                                                                                                                                                                                                                                                                                                                                                                                                                                                                                                                                                                                                                                                                                                       |
| <value<br>(0-61440)> | Integer | Enter a hold-count value which ranges from 0 to 61440.                                                                                                                                                                                                                                                                                                                                                                                                                                                                                                                                                                                                                                                                                                                                                                                                                                                                                         |
| vlan                 |         | Enter for configures spanning tree related information for VLAN.                                                                                                                                                                                                                                                                                                                                                                                                                                                                                                                                                                                                                                                                                                                                                                                                                                                                               |
| <vlan-id/vfi_id>     | Integer | VLAN ID is a unique value that represents the specific VLAN. This value ranges from 1 to 4094. VFI ID is a VLAN created in the system which contains Pseudo wires and Attachment Circuits as member ports. This creates a logical LAN for the VPLS service. This value ranges from 4096 to 65535. The VLAN ID 4095 is reserved and may be used to indicate a wildcard match for the VID in management operations or Filtering Database entries.<br>VFI IDs 4096 and 4097 are reserved identifiers used in MPLS PW. The theoretical maximum for the maximum number of VFI is 65535 but the actual number of VFI supported is a sizing constant. Based on this, the maximum number of VFI ID accepted in the management interface is restricted. For example, if 100 VFIs are supported, the maximum number of VFI supported will be restricted to maximum number of VLANs + 100. An error message is displayed for any value beyond this range. |
| forward-time         |         | Enter to configure the number of seconds, a port waits before changing from the listening and learning states to the forwarding state.                                                                                                                                                                                                                                                                                                                                                                                                                                                                                                                                                                                                                                                                                                                                                                                                         |
| <seconds (4-30)<br>> | Integer | Enter a value which ranges from 4 to 30 seconds. Default is 15.                                                                                                                                                                                                                                                                                                                                                                                                                                                                                                                                                                                                                                                                                                                                                                                                                                                                                |
| hello-time           |         | Enter to configure the time interval (in seconds) between two successive configuration BPDUs generated by the root switch.                                                                                                                                                                                                                                                                                                                                                                                                                                                                                                                                                                                                                                                                                                                                                                                                                     |

| Parameter               | Type    | Description                                                                                                                                                                                                                                                    |
|-------------------------|---------|----------------------------------------------------------------------------------------------------------------------------------------------------------------------------------------------------------------------------------------------------------------|
| <seconds (1-10)<br>>    | Integer | Enter a value which ranges from 1 to 10 seconds. Default is 2.                                                                                                                                                                                                 |
| max-age                 |         | Enter to configure the maximum expected arrival time (in seconds) of hello BPDUs. STP information learned from network on any port is discarded, once the configured arrival time expires. The spanning tree topology is re-computed after this time interval. |
| <seconds (6-40)<br>>    | Integer | Enter a value which ranges from 6 to 40 seconds. Default is 20.                                                                                                                                                                                                |
| hold-count              |         | Enter to configure the maximum number of packets that can be sent in a given hello time interval. This value is used to limit the maximum transmission rate of the switch and to avoid flooding.                                                               |
| <integer (1-10)<br>>    | Integer | Enter a value which ranges from 4 to 10. Default is 3.                                                                                                                                                                                                         |
| brg-priority            |         | Enter to configure the bridge priority to be assigned for the specified VLAN. Default is 32768 + VLAN ID.                                                                                                                                                      |
| <integer (0-614<br>40)> | Integer | Enter a value which ranges from 0 to 61440. The value should be set in increments of 4096, that is, the value can be set as 0, 4096, 8192, 12288 and so on.                                                                                                    |
| root                    |         | Enter to configure Configures the root type for the given VLAN interface.                                                                                                                                                                                      |
| primary                 |         | Enter to configure the switch to become root for a given VLAN. The priority of the switch is lowered until it becomes root                                                                                                                                     |
| secondary               |         | Enter to configure the switch to become backup root for a given VLAN. The priority of the switch is lowered until it becomes one priority higher than the root, so it can become root if the current root fails                                                |

## Mode

Global Configuration Mode

## Examples

```
iS5Comm (config)# spanning-tree
```

```
iS5Comm(config)#spanning-tree compatibility stp
```

```
iS5Comm(config)# spanning-tree flush-indication-threshold 2
```

```
iS5Comm(config)# spanning-tree flush-interval 20
iS5Comm(config)# spanning-tree forward-time 6
iS5Comm(config)# spanning-tree max-age 6
iS5Comm(config)# spanning-tree hello-time 6
iS5Comm(config)#spanning-tree mode rst
iS5Comm(config)# spanning-tree mst max-instance 1
iS5Comm(config)# spanning-tree mode mst
 Spanning Tree enabled protocol is RSTP, now RSTP is being shutdown and
 MSTP is being enabled
iS5Comm(config)# spanning-tree mst configuration
NOTE: This how MSTP Configuration Mode is entered.
iS5Comm(config)# spanning-tree pathcost dynamic
iS5Comm(config)# spanning-tree portfast bpduguard default
iS5Comm(config)# spanning-tree priority 4096
iS5Comm(config)# spanning-tree transmit hold-count 5
iS5Comm(config)# spanning-tree mode pvrst
 Spanning Tree enabled protocol is MSTP, now MSTP is being shutdown.
 PVRST is started.
iS5Comm(config)# spanning-tree vlan 1 forward-time 18
 Forward Time for the given instance is set.
iS5Comm(config-if)# spanning-tree vlan 1 cost 250
```

## 15.21. spanning-tree

To enable and define spanning tree operation for an interface, use the **spanning-tree** command in Interface Configuration Mode. The no form of this command disables the spanning tree operation on an interface and resets the spanning tree to its default values. Note that the spanning tree operation can be enabled in the switch only if the spanning tree functionality has not been shut down in the switch.

### spanning-tree

```
spanning-tree [auto-edge] [bpdu-receive {enabled disabled}]
 [bpdu-transmit {enabled | disabled}]
 [bpdufilter {disable | enable}]
 [bpduguard {disable | enable [admin-down] [disable-discarding] | enable |
none}]
 [cost <pathcost value(0-200000000)]
```

```
[disable] [encap {ISL | dot1q}]
[guard {loop | none | root}]
[layer2-gateway-port] [link-type {point-to-point | shared}]
[mode dot1w {disable | enable}]
[mst {<instance-id (1-64)> {cost <cost value(0-200000000) | disable |
port-priority <port priority value(0-240)> | pseudoRootId priority <priority
value(0-61440)> mac-address <ucast_mac>} | hello-time <port based
value(1-2)>}}
[port-priority <port priority value(0-240)>]
[portfast]
| pseudoRootId priority <priority value(0-61440)> mac-address <ucast_mac>}
[restricted-role]
[restricted-tcn]
[vlan <vlan-id/vfi_id> {cost <pathcost value(0-200000000)
| port-priority <port priority (0-240)> | status {disable | enable}}]
```

**no spanning-tree**

```
spanning-tree {auto-edge | bpdufilter | bpduguard | cost | disable | encap |
guard | layer2-gateway-port | link-type | mst | port-priority | portfast |
pseudoRootId | restricted-role | restricted-tcn | vlan}
```

## Parameters

| Parameter          | Type    | Description                                                                                                                                                                                                                                                                                        |
|--------------------|---------|----------------------------------------------------------------------------------------------------------------------------------------------------------------------------------------------------------------------------------------------------------------------------------------------------|
| auto-edge          |         | Enter to enable automatic detection of bridge attached on an interface. Once automatic detection is enabled, the edge port parameter is automatically detected and set. The port is set as edge port, if no BPDU is received on the port. The port is set as non-edge port if any BPDU is received |
| bpdu-receive       |         | Enter to configure the processing status of the BPDUs received in a port. BPDUs are used to carry bridge related information that is used during spanning tree operation.                                                                                                                          |
| enabled            |         | Enter to allow normal processing of BPDUs received on the port.                                                                                                                                                                                                                                    |
| disabled           |         | Enter to discard the BPDUs received on the port.                                                                                                                                                                                                                                                   |
| bpdu-transmit      |         | Enter to configure the BPDU transmission status of a port. BPDUs are used to carry bridge related information that is used during spanning tree operation. The transmission status is reset to its default value, once the spanning tree mode is changed.                                          |
| enabled            |         | Enter to allow the transmission of BPDUs from the port.                                                                                                                                                                                                                                            |
| disabled           |         | Enter to block the transmission of BPDUs from the port.                                                                                                                                                                                                                                            |
| bpdufilter         | Integer | Enter to configure the status of BPDU filter feature in an interface.                                                                                                                                                                                                                              |
| disable            |         | Enter to disable the BPDU filter in the interface; the port state is maintained till it is manually made up.                                                                                                                                                                                       |
| enable             |         | Enter to enable BPDU filter in the interface to prevent temporary loops; it moves the port to disabled discarding state when BPDU is received on this port.                                                                                                                                        |
| bpduguard          |         | Enter to configure the status of BPDU guard feature in an interface.                                                                                                                                                                                                                               |
| disable            |         | Enter to disable the BPDU guard feature in the interface; the port state is maintained till it is manually made up.                                                                                                                                                                                |
| enable             |         | Enter to enable BPDU guard feature in the interface to prevent temporary loops; it moves the port to disabled discarding state when BPDU is received on this port.                                                                                                                                 |
| admin-down         |         | Enter to disable the port and puts the port in error-disabled state on receiving BPDU.                                                                                                                                                                                                             |
| disable-discarding |         | Enter to disable spanning-tree on the port.                                                                                                                                                                                                                                                        |



| Parameter                       | Type    | Description                                                                                                                                                                                                                                                                                                                                                                                                                                                                                                                                                                                                                        |
|---------------------------------|---------|------------------------------------------------------------------------------------------------------------------------------------------------------------------------------------------------------------------------------------------------------------------------------------------------------------------------------------------------------------------------------------------------------------------------------------------------------------------------------------------------------------------------------------------------------------------------------------------------------------------------------------|
| none                            |         | Enter to remove BPDU guard on the specified interface. Global BPDU guard configuration takes effect if this port is an edge port.                                                                                                                                                                                                                                                                                                                                                                                                                                                                                                  |
| cost                            |         | Enter to configure the port's path cost value that contributes to the path cost of paths containing this particular port. The paths' path cost is used during calculation of shortest path to reach the root. The path cost represents the distance between the root port and designated port. The configured path cost is used, even if the dynamic pathcost calculation feature or LAGG speed feature is enabled. This configuration is not supported for the spanning tree mode PVRST.                                                                                                                                          |
| <path cost value (0-200000000)> | Integer | Enter a value for path cost. This value ranges from 1 to 200000000.                                                                                                                                                                                                                                                                                                                                                                                                                                                                                                                                                                |
| disable                         |         | Enter to disable the spanning tree operation on the port. The port does not take part in the execution of spanning tree operation for preventing undesirable loops in the network.                                                                                                                                                                                                                                                                                                                                                                                                                                                 |
| encap                           | Integer | Enter to configure the encapsulation type used in the interface.                                                                                                                                                                                                                                                                                                                                                                                                                                                                                                                                                                   |
| ISL                             |         | Enter to configure the Encapsulation type as ISL                                                                                                                                                                                                                                                                                                                                                                                                                                                                                                                                                                                   |
| dot1q                           | Integer | Enter to set the Encapsulation type as dot1q                                                                                                                                                                                                                                                                                                                                                                                                                                                                                                                                                                                       |
| guard                           |         | Enter to configure the various guard features such as root guard in a port.                                                                                                                                                                                                                                                                                                                                                                                                                                                                                                                                                        |
| loop                            | Integer | Enter to enable loop guard feature in the port. This feature changes the port to an inconsistent state if no BPDUs are received. Thus isolating the failure and letting spanning tree converge to a stable topology until the port starts receiving BPDUs again.<br><b>NOTE:</b> This parameter can be configured only for Point-to-point links. Loop guard feature is not supported for shared links<br><b>NOTE:</b> PVRST Loop Guard feature can be enabled on all port types – access, trunk & hybrid, but the behavior of a guard loop enabled hybrid port in an interoperation scenario is not defined in the implementation. |
| none                            |         | Enter to disable both root and loop guard features in the port. This is the default.                                                                                                                                                                                                                                                                                                                                                                                                                                                                                                                                               |

| Parameter                  | Type    | Description                                                                                                                                                                                                                                                                                                                                                                                             |
|----------------------------|---------|---------------------------------------------------------------------------------------------------------------------------------------------------------------------------------------------------------------------------------------------------------------------------------------------------------------------------------------------------------------------------------------------------------|
| root                       |         | Enter to enable root guard feature in the port. This feature prevents the port from becoming root port or blocked port. The port changes to the root-inconsistent state, if the port receives superior BPDUs. The port automatically reverts back to forwarding state, once the superior BPDUs are not received.<br><b>NOTE:</b> Root Guard implementation in PVRST is applicable only for trunk ports. |
| layer2-gateway-port        |         | Enter to configure a port to operate as a L2GP (L2 gateway port). L2GP operates similar to that of the normal port operation but pretends to continuously receive BPDUs when admin state of the port is up.                                                                                                                                                                                             |
| link-type                  |         | Enter to configure the link status of the LAN segment attached to the port. The options available are:                                                                                                                                                                                                                                                                                                  |
| point-to-point             |         | Enter to use this option when the port is to be treated as if it is connected to a point-to-point link.                                                                                                                                                                                                                                                                                                 |
| shared                     |         | Enter to use this option when the port is to be treated as if it is using a shared media connection.                                                                                                                                                                                                                                                                                                    |
| mode                       |         | Enter to enable or disable the bridge to send agreement PDU in accordance with 802.1w.                                                                                                                                                                                                                                                                                                                  |
| dot1w                      |         | Enter to enable or disable the bridge to send agreement PDU in accordance with 802.1w.                                                                                                                                                                                                                                                                                                                  |
| disable                    |         | Enter to disable the bridge to send agreement PDU in accordance with 802.1w.                                                                                                                                                                                                                                                                                                                            |
| enable                     |         | Enter to enable the bridge to send agreement PDU in accordance with 802.1w.                                                                                                                                                                                                                                                                                                                             |
| mst                        |         | Enter to specify the spanning tree instance.                                                                                                                                                                                                                                                                                                                                                            |
| <instance-id (1-64)>       | Integer | Enter a value for instance ID. This value ranges from 1 to 64.                                                                                                                                                                                                                                                                                                                                          |
| cost                       |         | Enter to configure the cost value associated with the port.                                                                                                                                                                                                                                                                                                                                             |
| <cost value (0-200000000)> | Integer | Enter a value for path cost. This value ranges from 1 to 200000000.                                                                                                                                                                                                                                                                                                                                     |
| disable                    |         | Enter to disable the spanning tree on the port                                                                                                                                                                                                                                                                                                                                                          |
| port-priority              |         | Enter to configure the port priority.                                                                                                                                                                                                                                                                                                                                                                   |

| Parameter                      | Type    | Description                                                                                                                                                                                                                                                                                                                                                                               |
|--------------------------------|---------|-------------------------------------------------------------------------------------------------------------------------------------------------------------------------------------------------------------------------------------------------------------------------------------------------------------------------------------------------------------------------------------------|
| <port priority value(0-240)>   | Integer | Enter a value for port priority. This value ranges from 0 to 61440. The value should be set in steps of 4096, that is, you can set the value as 0, 4096, 8192, 12288 and so on.                                                                                                                                                                                                           |
| pseudoRootId                   |         | Enter to configure the pseudo root related information for a port set as L2GP. The information contains pseudo root priority and pseudo root MAC address for the port. This configuration is not utilized in PVRST Mode.                                                                                                                                                                  |
| priority                       |         | Enter for pseudo root priority.                                                                                                                                                                                                                                                                                                                                                           |
| <port priority value(0-61440)> | Integer | Enter value for port priority. This value ranges from 0 to 61440. The value should be set in steps of 4096, that is, you can set the value as 0, 4096, 8192, 12288 and so on.                                                                                                                                                                                                             |
| mac-address                    |         | Enter to configure the unicast MAC address of the pseudo root. Port configured as L2GP uses this value as its address.                                                                                                                                                                                                                                                                    |
| <ucast_mac>                    |         | Enter the unicast MAC address of the pseudo root. For example, 00:00:12:34:45:55.                                                                                                                                                                                                                                                                                                         |
| hello-time                     |         | Enter to set the port-based hello timer value.                                                                                                                                                                                                                                                                                                                                            |
| <port based value(1-2)>        | Integer | Enter a port-based hello timer value.                                                                                                                                                                                                                                                                                                                                                     |
| port-priority                  |         | Enter to configure the port priority value                                                                                                                                                                                                                                                                                                                                                |
| <port priority value(0-240)>   | Integer | Enter a port-priority value. This value ranges from 0 t                                                                                                                                                                                                                                                                                                                                   |
| portfast                       |         | Enter to configure the portfast feature in the port. This feature specifies that the port is connected to only one host and hence can rapidly transit to forwarding. This feature can cause temporary bridging loops if hubs, concentrators, switches, bridges and so on are connected to this port. This feature takes effect only after the interface is shut down and turned on again. |
| pseudoRootId                   |         | Enter to the pseudo root related information for a port set as L2GP. The information contains pseudo root priority and pseudo root MAC address for the port. This configuration is not utilized in PVRST Mode                                                                                                                                                                             |
| priority                       |         | Enter to configure port priority value.                                                                                                                                                                                                                                                                                                                                                   |
| <port priority value(0-61440)> | Integer | Enter for pseudo root priority.                                                                                                                                                                                                                                                                                                                                                           |

| Parameter                  | Type    | Description                                                                                                                                                                                                                                                                                                                                                                                                                                                                                                                                                                                                                                                                                                                                                                                                                                                                                                                                    |
|----------------------------|---------|------------------------------------------------------------------------------------------------------------------------------------------------------------------------------------------------------------------------------------------------------------------------------------------------------------------------------------------------------------------------------------------------------------------------------------------------------------------------------------------------------------------------------------------------------------------------------------------------------------------------------------------------------------------------------------------------------------------------------------------------------------------------------------------------------------------------------------------------------------------------------------------------------------------------------------------------|
| mac-address                | Integer | Enter to configure the unicast MAC address of the pseudo root. A port configured as L2GP uses this value as its address.                                                                                                                                                                                                                                                                                                                                                                                                                                                                                                                                                                                                                                                                                                                                                                                                                       |
| <ucast_mac>                |         | Enter the unicast MAC address of the pseudo root. For example, 00:00:12:34:45:55.                                                                                                                                                                                                                                                                                                                                                                                                                                                                                                                                                                                                                                                                                                                                                                                                                                                              |
| restricted-role            |         | Enter to enable the root-guard/ Restricted role feature on the port.                                                                                                                                                                                                                                                                                                                                                                                                                                                                                                                                                                                                                                                                                                                                                                                                                                                                           |
| restricted-tcn             |         | Enter to enable the Topology change guard/ Restricted tcn feature on the port.                                                                                                                                                                                                                                                                                                                                                                                                                                                                                                                                                                                                                                                                                                                                                                                                                                                                 |
| vlan                       |         | Enter for configures spanning tree related information on a per VLAN basis.                                                                                                                                                                                                                                                                                                                                                                                                                                                                                                                                                                                                                                                                                                                                                                                                                                                                    |
| <vlan-id/vfi_id>           | Integer | VLAN ID is a unique value that represents the specific VLAN. This value ranges from 1 to 4094. VFI ID is a VLAN created in the system which contains Pseudo wires and Attachment Circuits as member ports. This creates a logical LAN for the VPLS service. This value ranges from 4096 to 65535. The VLAN ID 4095 is reserved and may be used to indicate a wildcard match for the VID in management operations or Filtering Database entries.<br>VFI IDs 4096 and 4097 are reserved identifiers used in MPLS PW. The theoretical maximum for the maximum number of VFI is 65535 but the actual number of VFI supported is a sizing constant. Based on this, the maximum number of VFI ID accepted in the management interface is restricted. For example, if 100 VFIs are supported, the maximum number of VFI supported will be restricted to maximum number of VLANs + 100. An error message is displayed for any value beyond this range. |
| cost                       |         | Enter to configure the port's path cost value that contributes to the path cost of paths containing this particular port. The paths' path cost is used during calculation of shortest path to reach the root. The path cost represents the distance between the root port and designated port. The configured path cost is used, even if the dynamic pathcost calculation feature or LAGG speed feature is enabled. This configuration is not supported for the spanning tree mode PVRST.                                                                                                                                                                                                                                                                                                                                                                                                                                                      |
| <cost value (0-200000000)> | Integer | Enter a value for path cost. This value ranges from 1 to 200000000.                                                                                                                                                                                                                                                                                                                                                                                                                                                                                                                                                                                                                                                                                                                                                                                                                                                                            |
| port-priority              |         | Enter to configure the priority value assigned to the port.                                                                                                                                                                                                                                                                                                                                                                                                                                                                                                                                                                                                                                                                                                                                                                                                                                                                                    |

| Parameter                      | Type    | Description                                                                                                                                                                                                                                                                                                                                                                                |
|--------------------------------|---------|--------------------------------------------------------------------------------------------------------------------------------------------------------------------------------------------------------------------------------------------------------------------------------------------------------------------------------------------------------------------------------------------|
| <port priority value (0-240) > | Integer | Enter a priority value to be assigned to the port. This value is used during port role selection process. This value ranges from 0 to 240. This value should be set in steps of 16, that is, you can set the value as 0, 16, 32, 48 and so on. The default port-priority is 128.                                                                                                           |
| status                         |         | Enter to configure the status of PVRST on a port for the specified VLAN. PVRST works in conjunction with VLAN to provide better control over traffic in the network. It maintains a separate spanning tree for each active VLAN in the network, thus providing load balancing through multiple instances of spanning tree, fault tolerance and rapid reconfiguration support through RSTP. |
| disable                        |         | Enter to disable the PVRST Status for the specified VLAN ID.                                                                                                                                                                                                                                                                                                                               |
| enable                         |         | Enter to enable the PVRST Status for the specified VLAN ID.                                                                                                                                                                                                                                                                                                                                |

## Mode

Interface Configuration Mode

## Examples

```
iS5Comm (config)# interface gi 0/1
iS5Comm (config-if)# spanning-tree auto-edge
iS5Comm(config-if)# spanning-tree bpdu-receive disabled
iS5Comm (config-if)# spanning-tree bpdu-transmit enabled
iS5Comm (config-if)# spanning-tree bpduguard enable admin-down
iS5Comm(config-if)# spanning-tree cost 2200
iS5Comm (config-if)# spanning-tree link-type point-to-point
iS5Comm(config-if)# spanning-tree portfast
iS5Comm(config)# spanning-tree portfast bpduguard default
iS5Comm(config-if)# spanning-tree port-priority 32
iS5Comm (config-if)# spanning-tree restricted-role
iS5Comm(config-if)# spanning-tree restricted-tcn
iS5Comm(config-if)# spanning-tree layer2-gateway-port
iS5Comm(config-if)# spanning-tree mst 1 pseudoRootId priority 8192 mac-address 00:00:12:34:45:55
iS5Comm(config-if)# spanning-tree bpdufilter enable
iS5Comm(config-if)# spanning-tree mode dot1w enable
```

```
iS5Comm(config-if)# spanning-tree vlan 1status disable
```

# MRP

## 16. MRP

This section describes the CLI commands used to configure the *MRP* feature.

Media Redundancy Protocol (*MRP*) is a networking protocol designed to implement redundancy and recovery in a ring topology. *MRP* is designed to react deterministically on a single failure on a switch in the *MRP* ring. An *MRP* instance is configured between two ports known as ring ports and can act as manager or client in the ring. The *MRP* node which is configured as manager has the responsibility of avoiding the loop in the ring by making one ring port as blocking and other as forwarding. The convergence time of *MRP* is very fast as compared to spanning tree protocols. On a port either *MRP* can be enabled or spanning tree may be selected.

To configure *MRP*, first it needs to be enabled at the global level, the instance needs to be created with required mode and then instance needs to be mapped to the ring ports, this chapter describes the commands used.

Note: To enable an *MRP* ring instance on a port; first spanning tree needs to be disabled. Both protocols cannot run together on the same port.

### 16.1. Redundancy

Redundancy within the network considers the presence of more network elements (switches, link) than necessary operation, in order to prevent the loss of communication caused by a failure. To effect this, there is more than one physical path between any two nodes. IEC 61918 specified ring topology, every switch has a redundant connection (link) into the network. the redundant links are not required for a failure-free/normal operation of the network. In case of a failure, these redundant links are used to prevent the breakdown of the network. The disadvantage of ring topology is that, it can introduce a “packet loop” that creates broadcast storms in the network.

Spanning Tree protocols, such as *RSTP*, specify a method for providing media redundancy while preventing the undesirable packet loop in a network (i.e.) *RSTP* were developed to detect and eliminates the physical loop in the network. Also, in case of a failure in the network, a topology change notification is sent out to create a different safe path.

Although *STP* is effective enough for many networks, it takes longer time for re-convergence in case of failure. This is not good enough for mission-critical industrial Ethernet applications. To overcome the limitations of *RSTP*, *MRP* protocol was developed. *MRP* uses mechanisms similar to *RSTP* (e.g., delete forwarding database after reconfiguration, set ports into blocking or forwarding mode), but it takes lesser time for re-convergence in case of failure. Below is the comparison of *MRP* with *RSTP*.

**Table 1:** Comparison between MRP and RSTP

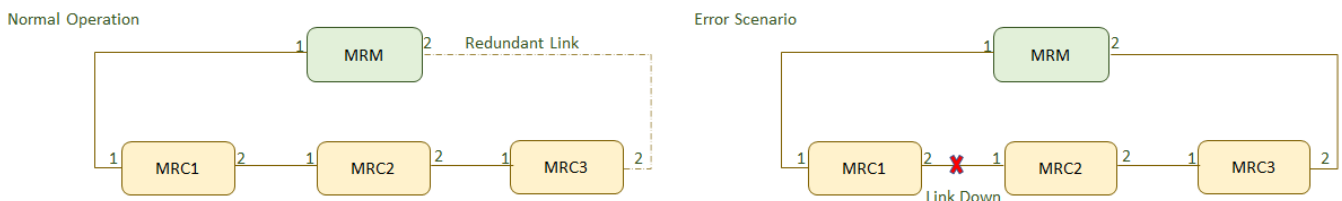
|                    | MRP                                                              | RSTP                                                                                                       |
|--------------------|------------------------------------------------------------------|------------------------------------------------------------------------------------------------------------|
| Topology           | Ring                                                             | Any                                                                                                        |
| Number of Switches | Up to 50 switches to meet the 200ms reconfiguration requirement. | Maximum of 40 Switches                                                                                     |
| Recovery Time      | Recovery time in case of a failure can run into Less than 200ms  | Recovery time in case of a failure can run into seconds depending on the topology and size of the network. |
| Configuration      | Simple                                                           | Medium                                                                                                     |

## 16.2. MRP

An *MRP*-compliant network shall have a ring topology with multiple nodes. According to IEC 62439-2, One of nodes in the network takes on the role of the redundancy manager (*MRM*), the other nodes are the redundancy clients (*MRC*). The ports at a node which are connected with the subsequent or preceding node are named ring ports.

## 16.3. MRP Function

It is the Redundancy Manager's responsibility to monitor the ring topology. During normal ring operation (i.e., no link or node failure in the ring topology) the Redundancy Manager disconnects one of its ring ports, so that the ring topology becomes 'loop free' from a communication point of view. As soon as the ring is open due to the failure of a node, and the data communication is broken, the Redundancy Manager reconfigures the data paths within 200ms. It enables the disconnected ring port and creates a new loop free topology.

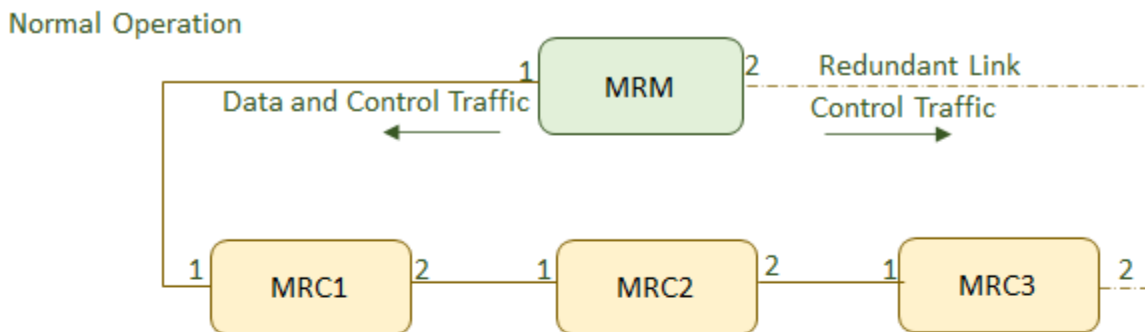
**Figure 1:** MRP Normal Operation Vs Error Scenario



## 16.4. Normal Operation: Ring Closed

To detect errors in the network, the redundancy manager sends MRP\_Test frames on both of its ring ports. These frames run through the ring in both directions until they arrive at the other ring port of the manager. These MRP\_Test frames are marked with a special MAC address and forwarded by the MRCs only to the opposite ring ports. They are sent periodically every MRP\_Test default interval (20 ms by default). If the MRP\_Test frames arrive on both ends back to the *MRM*, the ring is detected as defect free (ring closed) and the *MRM* blocks the loop. This is done by changing the state to BLOCKED at one of the ring ports in the *MRM* and the other as FORWARDING as shown in Figure 2 below. On this BLOCKED port only test frames to supervise the ring (MRP\_Test frames) are sent. Data frames are sent by the *MRM* only on the port in the FORWARDING state.

**Figure 2:** MRP Normal Operation



|      | Ring Port1 | Ring Port 2 |
|------|------------|-------------|
| MRM  | Forwarding | Blocked     |
| MRC1 | Forwarding | Forwarding  |
| MRC2 | Forwarding | Forwarding  |
| MRC3 | Forwarding | Forwarding  |

Blocked port can tx and rx only the control traffic. Hence MRM transmit the data traffic via ring port 1 only.

## 16.5. Failure Detection: Ring Open

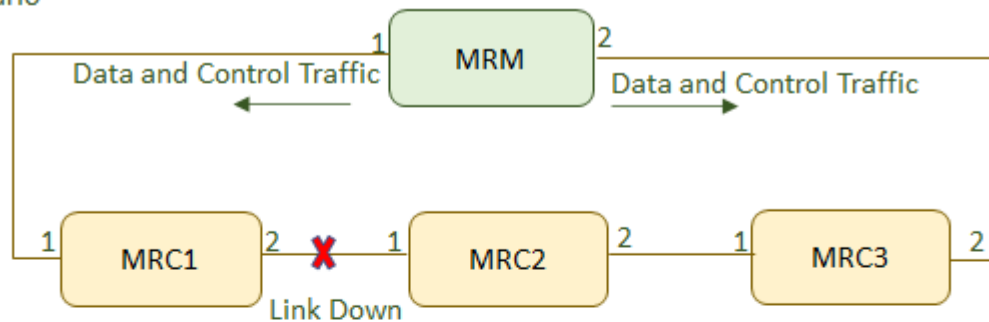
If MRP\_Test frames, typically 3 frames in sequence of are not received by the *MRM*, the ring topology is considered as interrupted. So it takes 60 ms to detect a failure in the ring. To change the topology in the

whole ring, all *MRCs* and the *MRM* have to clear their FDBs at the same time as the redundant port is changing state from BLOCKED to FORWARDING to keep the network consistent. The *MRM* sends 3 *MRP\_TopologyChange* messages in 10ms delay into the ring with the indication that the topology has changed. The blocked port on the *MRM* changes the state from BLOCKING to FORWARDING. Every *MRC* receiving *MRP\_TopologyChange* indications is supposed to clear its Filtering Data Base (FDB) at the *MRP\_TOPchgT* time. Afterwards it has to build up again the FDB based on the new topology.

The time between detecting a ring interruption and restoring a new data structure is referred to as the recovery time. The recovery time has a maximum value of 200ms. As soon as the fault is recovered in the network, the redundancy manager disconnects its ring port again and informs the clients of the change.

**Figure 3:** MRP Error Scenario

Error Scenario



|      | Ring Port1 | Ring Port 2 |
|------|------------|-------------|
| MRM  | Forwarding | Forwarding  |
| MRC1 | Forwarding | Link Down   |
| MRC2 | Link Down  | Forwarding  |
| MRC3 | Forwarding | Forwarding  |

Ring is open, due to link fault between MRC1 & MRC2. MRM ports (1 &2) are in forwarding state to tx and rx both data and control traffic.

## 16.6. Alarms supported in MRP

Alarms are raised for various events that occur in the device. Alarms for the events in *MRP* are grouped under protocols. As defined in the PRD document, the following alarms are supported for events associated with *MRP*.

- *MRP* Status changes
- *MRM* condition detected/cleared.

**Figure 4:** Alarms supported in MRP

```
iS5Comm# sh alarm supported all
```

| ALARM-ID | ALARM-SUPPORTED                           |
|----------|-------------------------------------------|
| 2000     | Power supply limit exceeded               |
| 2001     | Mainboard temperature overheat            |
| 2002     | CPU usage exceeded threshold              |
| 2003     | Flash usage exceeded threshold            |
| 2004     | RAM usage exceeded threshold              |
| 2005     | Power supply not operational              |
| 2006     | Line card state                           |
| 3000     | Interface link state                      |
| 3001     | Cyber-security link                       |
| 3002     | Line module temperature threshold reached |
| 4000     | Invalid login                             |
| 5000     | Firmware upgrade failed                   |
| 6000     | RSTP root bridge node                     |
| 6001     | URRP master - URID                        |
| 6002     | MRP Ring status changed                   |
| 6003     | MRP Multiple MRM condition                |

## 16.7. MRP status change

The alarm is raised with set whenever there is a change in the ring status. This event can occur whenever there is a change in ring status. i.e., ring is closed or opened due to changes in topology or configuration. When the ring state machine is disabled, the alarm is cleared.

**Figure 5:** Alarms raised for Ring status change

```
iS5Comm# sh alarm history protocol
```

| ID   | TYPE     | TIMESTAMP      | STATE | DESCRIPTION             | SEVERITY |
|------|----------|----------------|-------|-------------------------|----------|
| 6000 | PROTOCOL | Oct/5/14:15:41 | SET   | RSTP root bridge node   | Info     |
| 6002 | PROTOCOL | Oct/5/14:15:42 | CLR   | MRP Ring status changed | Critical |
| 6002 | PROTOCOL | Oct/5/14:15:44 | SET   | MRP Ring status changed | Critical |

## 16.8. MRM condition/detected

The alarm is raised when the ring node detects more than one manager nodes in the network. The alarm will be cleared when this condition is cleared.

## 16.9. mrp

To enable and disable the *MRP* protocol, use the command **mrp enable / disable** in Global Configuration Mode.

### mrp

```
mrp { enable | disable }
```

### Parameters

| Parameter | Type | Description                                  |
|-----------|------|----------------------------------------------|
| enable    |      | Enables the MRP feature globally on device.  |
| disable   |      | Disables the MRP feature globally on device. |

### Mode

Global Configuration Mode

### Examples

```
iS5Comm(config)# mrp enable
```

```
iS5Comm(config)# mrp disable
```

## 16.10. mrp ringid

To create an *MRP* instance, use the command **mrp ringid** in Global Configuration Mode. The no form of this command deletes an *MRP* instance.

### mrp

```
mrp { ringid < short(1-2) > }
```

### no mrp ringid

```
no mrp { ringid < short(1-2) > }
```

## Parameters

| Parameter | Type    | Description                                  |
|-----------|---------|----------------------------------------------|
| ringid    |         | Enter to create Ring id of the MRP instance. |
| id        | integer | Enter a value in the range from 1 to 2.      |

## Mode

Global Configuration Mode

## Examples

- Users can delete the *MRP* instance. The details are shown below.

```
iS5Comm(config)# mrp ringid 1
```

```
iS5Comm(config-mrp)# exit
```

```
iS5Comm(config)# no mrp ringid 1
```

## 16.11. mrp vid

To create an *MRP* domain *VLAN* identifier, use the command **vid** in MRP Ring Configuration Mode. The **no vid** form of this command deletes an *MRP* domain *VLAN* identifier.

### **vid**

```
vid < VLAN id (1-4094) >
```

### **no vid**

```
no vid
```

## Parameters

| Parameter           | Type    | Description                             |
|---------------------|---------|-----------------------------------------|
| VLAN id<br>(1-4094) | integer | Enter a value in the range of 1 to 4094 |

## Mode

MRP Ring Configuration Mode

## Examples

- Users are able to configure *MRP* over *VLAN* using the below shown CLI command under *MRP* Ring Mode. *MRP* signaling frames (test and control) are sent with IEEE 802.1Q *VLAN* tags with the configured *VLAN* and priority as 7.

```
iS5Comm(config)# mrp ringid 1
```

```
iS5Comm(config-mrp)# vid 2
```

```
iS5Comm(config-mrp)# end
```

- User are able to unconfigure *MRP* over *VLAN* under *MRP* Ring Mode as shown below.

```
iS5Comm(config)# mrp ringid 1
```

```
iS5Comm(config-mrp)# no vid
```

```
iS5Comm(config-mrp)# end
```

## 16.12. mode

To set the *MRP* mode of the device, use the command **mode** in *MRP* Ring Configuration Mode.

### mode

```
mode [{ disable | { client | manager | manager-autocomp } port1 < interface-type
> < interface-id > port2 < interface-type > < interface-id > }]
```

## Parameters

| Parameter        | Type | Description                                                                                                                                                                                                                                                               |
|------------------|------|---------------------------------------------------------------------------------------------------------------------------------------------------------------------------------------------------------------------------------------------------------------------------|
| client           |      | Enter to configure <i>MRP</i> instance as a client ( <i>MRC</i> ) in the <i>MRP</i> ring, which forwards the test frames between the ring ports.                                                                                                                          |
| manager          |      | Enter to configure <i>MRP</i> instance as manager ( <i>MRC</i> ) in the <i>MRP</i> ring, which generates the test frames on both ring ports and handles/avoids the loop.                                                                                                  |
| manager-autocomp |      | Enter to configure <i>MRP</i> instance as manager auto ( <i>MRA</i> ) in the <i>MRP</i> ring. It competes with the other <i>MRA</i> nodes in the ring to become <i>MRM</i> based on priority, if priority is highest it turns to act as <i>MRM</i> else turn <i>MRC</i> . |
| disable          |      | Enter to disables the <i>MRP</i> instance on ring ports if any.                                                                                                                                                                                                           |
| port1            |      | Enter to set <i>MRP</i> mode on ring on port 1.                                                                                                                                                                                                                           |
| port2            |      | Enter to set <i>MRP</i> mode on ring on port 2.                                                                                                                                                                                                                           |

## Mode

MRP Configuration Mode

## Examples

```
iS5Comm# configure terminal
```

```
iS5Comm(config)# mrp ringid 1
```

```
iS5Comm(config-mrp)# vid 2
```

```
iS5Comm(config-mrp)# mode manager-autocomp port1 gigabitethernet 0/1 port2 gigabitethernet 0/2
```

## 16.13. priority

To set the *MRP* priority of the device to become the manager ( *MRM*) of the ring, use the command **priority** in *MRP* Ring Configuration Mode.

### priority

```
priority < (0-65535) >
```

## Parameters

| Parameter | Type    | Description                                                                                                       |
|-----------|---------|-------------------------------------------------------------------------------------------------------------------|
| priority  | 0-65535 | Enter to configure <i>MRP</i> priority to be manager ( <i>MRM</i> ) in the ring, in case auto manager is enabled. |

## Mode

MRP Configuration Mode

## Examples

```
iS5Comm# configure terminal
iS5Comm(config)# mrp ringid 1
iS5Comm(config-mrp)# priority 8000
```

## 16.14. uuid

To configure the UUID value of the ring, use the command **uuid** in *MRP* Ring Configuration Mode.

### uuid

```
uuid < string(32) >
```

## Parameters

| Parameter | Type       | Description                                                                                                                                                                                        |
|-----------|------------|----------------------------------------------------------------------------------------------------------------------------------------------------------------------------------------------------|
| uuid      | string(32) | Enter to configure <i>MRP UUID</i> as 32 octet string (hex). The UUID is a 128-bit domain UUID unique to a domain/ring. All MRP instances belonging to the same ring must have the same domain ID. |

## Mode

MRP Configuration Mode

## Examples

```
iS5Comm# configure terminal
iS5Comm(config)# mrp ringid 1
```



```
iS5Comm(config-mrp)# uuid 10C20ACC507B55760487569C4CD9E3BB
```

## 16.15. show mrp

This command shows information of the *MRP* configuration.

### show mrp

```
show mrp { ringid < short(1-2) > } [detail] [counters]
```

### Parameters

| Parameter | Type    | Description                                                                                                    |
|-----------|---------|----------------------------------------------------------------------------------------------------------------|
| ringid    |         | Specifies the ring ID that the user wishes to view.                                                            |
| id (1-2)  | integer | Enter a value in the range of 1 - 2.                                                                           |
| detail    |         | Enter to display the detail information of the <i>MRP</i> configuration (e.g. ring name, UUID, priority, etc.) |
| counters  |         | Enter to display the <i>MRP</i> counters                                                                       |

### Mode

Privileged Exec Mode

### Definitions of Errors

**Multiple *MRM* failures and errors:** This error indicated by an *MRM* when more than one *MRM* are active in the *MRP* ring. Possible values are as follows:

- false—no Multi- *MRM* error
- true—more than one *MRM* present in the ring

**Single Side Error—displays Single Side Error state:** This error also indicated by an *MRM* when the test frames of an *MRM* have been seen, but only on one ring port. Possible values are as follows:

- false—no One Side Rx error
- true—test frame received only on one ring port

### Examples

```
iS5Comm# show mrp ringid 1 detail
```

```
MRP Ring Info
```

```

Id : 1
Admin Mode : Manager
Port 1 : Gi0/2
Port 1 state : Forwarding
Port 2 : Gi0/1
Port 2 state : Forwarding
State : Open
Multiple MRM : True
Single side Err : False
UUID : 10C20ACC507B55760487569C4CD9E3BB
Manager pri : 1F40-----
```

```
iS5Comm# show mrp counters
```

```
MRP Ring Counters
```

```

Id : 1
Ring Port 1
Test frames received : 0
TC frames received : 0
Link up frames sent : 0
Link down frames sent : 0
Ring Port 2
Test frames received : 0
TC frames received : 0
Link up frames sent : 0
Link down frames sent : 0
```

# HSR

## 17. HSR-PRP

The main purpose of the *HSR* and *PRP* protocols is to provide zero fail-over time network redundancy (in comparison MRP has a fail-over time of a few 100 ms and STP/RSTP a few seconds).

A switch with an *HSR-PRP* line card supports the IEC 62439-3 standard (Industrial communication networks – High availability automation networks – Part 3: Parallel Redundancy Protocol (*PRP*) and High-availability Seamless Redundancy (*HSR*)). Up to four *HSR-PRP* line cards can be inserted into the switch's chassis providing up to eight *HSR/PRP* redundant interfaces.

The following document provides some information how to setup and monitor the redundant interfaces and networks from the *CLI* (Command Line Interface).

The commands used for setting up redundant interfaces are shown in the *Configuration Commands* section, while the section *Informational Commands* shows how to monitor the redundant interfaces. The section *Clear Commands* is to be used to clear counters to set a new starting point for collection information.

### 17.1. Configuration Commands

#### Interface Configuration Mode

The HSR-PRP line card redundant interfaces can be configured from the Interface Configuration mode with the following commands from the Global Configuration Mode.

##### **interface redundant**

To configure a HSR-PRP line card redundant interface, use the command **interface redundant** in Global Configuration Mode. Use this command to proceed to a specific redundant Interface Configuration Mode.

##### **interface redundant**

```
interface redundant <red-id (1-8)> [name identification-string]
```

*Parameters*

| Parameter                           | Type | Description                                                                  |
|-------------------------------------|------|------------------------------------------------------------------------------|
| <red-id<br>(1-8)>                   |      | Enter to configure a specific redundant Interface Configuration Mode.        |
| [name<br>identificati<br>on-string] |      | Enter to assign a name identification string. This is an optional parameter. |

*Mode*

Global Configuration Mode

*Examples*

iS5Comm# configure terminal

iS5Comm(config)# interface redundant 5

iS5Comm(config-if-red5)#

iS5Comm# configure terminal

iS5Comm (config)# interface redundant 5 name Yellow-Ring

iS5Comm(config-if-red5)#

**NOTE:** Enter this command to proceed to a specific redundant interface configuration mode and supply an option name to the interface.

**interface range redundant**

To configure multiple redundant interface, use the command **interface range redundant** in Global Configuration Mode. Use this command to proceed to multiple redundant interfaces so that they can all be configured at the same time.

**interface range redundant**

```
interface range redundant <red-id (1-8)> - <red-id (1-8)>
```

*Parameters*

| Parameter         | Type | Description                                                       |
|-------------------|------|-------------------------------------------------------------------|
| <red-id<br>(1-8)> |      | Enter to configure the range of the multiple redundant interface. |

*Mode*

Global Configuration Mode

*Examples*

```
iS5Comm# configure terminal
iS5Comm(config)# interface redundant 5 - 6
iS5Comm(config-if-red-range)#
```

**Activation/Deactivation**

From the Interface Configuration mode, the redundant interface can be activated or deactivated with the following commands.

**no shutdown**

To activate a specific redundant interface, use the command **no shutdown** in Redundant Interface Configuration Mode. The interface needs to be in redundancy enable mode for this command to work.

**no shutdown**

```
no shutdown
```

*Mode*

Redundant Interface Configuration Mode

*Examples*

```
iS5Comm# configure terminal
iS5Comm(config)# interface redundant 5
iS5Comm(config-if-red5)# no shutdown
```

**shutdown**

To deactivate the redundant interface, use the command **shutdown** in Redundant Interface Configuration Mode.

**shutdown**

```
shutdown
```

*Mode*

Redundant Interface Configuration Mode

*Examples*

```
iS5Comm# configure terminal
iS5Comm (config)# interface redundant 5
iS5Comm(config-if-red5)# shutdown
```

```
iS5Comm# configure terminal
```

```
iS5Comm (config)# interface redundant 5 - 6
```

```
iS5Comm(config-if-red-range)# shutdown
```

**NOTE:** This command deactivates multiple redundant interfaces at the same time.

## HSR/PRP Mode

The redundant interface HSR/PRP mode can be set when the interface is in the deactivated state with the following command.

### mode

To set a redundant interface HSR/PRP mode (with optional NetId for HSR-PRP coupling and HSR-HSR QuadBox) when the interface is in the deactivated state, use the command **mode** in Redundant Interface Configuration Mode.

### mode

```
mode {hsr | prp | hsr-prp-a | hsr-prp-b | hsr-hsr | hsr-hsr-a | hsr-hsr-b}
[netid <integer (1-7)>]
```

*Parameters*

| Parameter                   | Type | Description                                                                                                                                                                                                                                                                                                                                                                                                                                                                                                                                                                                                                                                                                                                                                                                                                                                                                                                                                                                                                                                                                                                                                                                                                                                                         |
|-----------------------------|------|-------------------------------------------------------------------------------------------------------------------------------------------------------------------------------------------------------------------------------------------------------------------------------------------------------------------------------------------------------------------------------------------------------------------------------------------------------------------------------------------------------------------------------------------------------------------------------------------------------------------------------------------------------------------------------------------------------------------------------------------------------------------------------------------------------------------------------------------------------------------------------------------------------------------------------------------------------------------------------------------------------------------------------------------------------------------------------------------------------------------------------------------------------------------------------------------------------------------------------------------------------------------------------------|
| hsr                         |      | Enter for <i>HSR</i> mode.                                                                                                                                                                                                                                                                                                                                                                                                                                                                                                                                                                                                                                                                                                                                                                                                                                                                                                                                                                                                                                                                                                                                                                                                                                                          |
| prp                         |      | Enter for <i>PRP</i> mode. This is the default mode.                                                                                                                                                                                                                                                                                                                                                                                                                                                                                                                                                                                                                                                                                                                                                                                                                                                                                                                                                                                                                                                                                                                                                                                                                                |
| hsr-prp-a                   |      | Enter for <i>HSR-PRP</i> coupling mode for LAN A.                                                                                                                                                                                                                                                                                                                                                                                                                                                                                                                                                                                                                                                                                                                                                                                                                                                                                                                                                                                                                                                                                                                                                                                                                                   |
| hsr-prp-b                   |      | Enter for <i>HSR-PRP</i> coupling mode for LAN B.                                                                                                                                                                                                                                                                                                                                                                                                                                                                                                                                                                                                                                                                                                                                                                                                                                                                                                                                                                                                                                                                                                                                                                                                                                   |
| hsr-hsr                     |      | Enter to set a redundant interface in <i>HSR-HSR</i> QuadBox mode. This option is the same as <i>hsr-hsr-a</i> with <i>netid</i> of 1 to be backwards compatible with older configuration setups.                                                                                                                                                                                                                                                                                                                                                                                                                                                                                                                                                                                                                                                                                                                                                                                                                                                                                                                                                                                                                                                                                   |
| hsr-hsr-a                   |      | Enter to set a redundant interface in <i>HSR-HSR-A</i> QuadBox mode. A QuadBox is only formed when both redundant interfaces on the line card are in this mode and then both activated.                                                                                                                                                                                                                                                                                                                                                                                                                                                                                                                                                                                                                                                                                                                                                                                                                                                                                                                                                                                                                                                                                             |
| hsr-hsr-b                   |      | Enter to set multiple redundant interfaces to the <i>HSR-HSR-B</i> QuadBox mode. A QuadBox is only formed when both redundant interfaces on the line card are in this mode and then both activated.                                                                                                                                                                                                                                                                                                                                                                                                                                                                                                                                                                                                                                                                                                                                                                                                                                                                                                                                                                                                                                                                                 |
| netid<br><integer<br>(1-7)> |      | <p>Optionally, enter the NetId for the <i>HSR-PRP</i> or <i>HSR-HSR</i> modes (if not specified, it will default to 1). The NetId can be set in the range from 1 to 7 as they are used as follows:</p> <ul style="list-style-type: none"> <li>• 0 for regular <i>HSR</i> frames originating on the <i>HSR</i> ring (<i>HSR</i> nodes)</li> <li>• 1 to 6 for redundant frames originating from outside the <i>HSR</i> ring (<i>HSR-PRP</i> or <i>HSR-HSR</i>)</li> <li>• 7 is reserved (but can also be used if needed for outside redundant frames)</li> </ul> <p>The same NetID should be used on the <i>HSR-PRP-A</i> and <i>HSR-PRP-B</i> RedBoxes so that they can work together to connect the <i>HSR</i> ring to a single <i>PRP</i> network. The NetId will be inserted into frames that are converted from the <i>PRP</i> network to the <i>HSR</i> ring, which then provides a filtering mechanism for the other <i>HSR-PRP</i> RedBox not to reintroduce the frame back into the other LAN of the <i>PRP</i> network. Similarly, <i>HSR-HSR-A</i> and <i>HSR-HSR-B</i> QuadBoxes should use the same NetId to work together on the same <i>HSR</i> ring. The NetId can be set to different values on each side of the QuadBox as they are different <i>HSR</i> rings.</p> |

*Mode*

## Redundant Interface Configuration Mode

*Examples*

```
iS5Comm# configure terminal
```

```
iS5Comm(config)# interface redundant 6
```

```
iS5Comm(config-if-red6)# mode hsr
```

**NOTE:** The example above sets a specific redundant interface to HSR redundancy mode.

```
iS5Comm# configure terminal
```

```
iS5Comm (config)# interface redundant 6
```

```
iS5Comm(config-if-red6)# mode prp
```

**NOTE:** The example above sets a specific redundant interface to PRP redundancy mode.

```
iS5Comm# configure terminal
```

```
iS5Comm (config)# interface redundant 6
```

```
iS5Comm(config-if-red6)# mode hsr-prp-a netid 2
```

**NOTE:** The example above sets a specific redundant interface to HSR-PRP coupling mode for LAN A with NetId 2. If NetId is not specified it will default to 1.

```
iS5Comm# configure terminal
```

```
iS5Comm(config)# interface redundant 6
```

```
iS5Comm(config-if-red6)# mode hsr-prp-b netid 5
```

**NOTE:** The example above sets a specific redundant interface to HSR-PRP coupling mode for LAN B with NetId 5. If NetId is not specified it will default to 1.

```
iS5Comm# configure terminal
```

```
iS5Comm (config)# interface redundant 6
```

```
iS5Comm(config-if-red6)# mode hsr-hsr
```

**NOTE:** The example above sets a redundant interface to HSR-HSR-A (default HSR-HSR mode) QuadBox mode with default NetId of 1. A QuadBox is only formed when both redundant interfaces on the line card are in this mode and then both activated.

```
iS5Comm# configure terminal
```

```
iS5Comm (config)# interface redundant 6
```

```
iS5Comm(config-if-red6)# mode hsr-hsr-b netid 3
```

**NOTE:** The example above sets a redundant interface to HSR-HSR-B QuadBox mode with NetId 3. If NetId is not specified it will default to 1. The NetId can be set to different values on each side of the QuadBox.

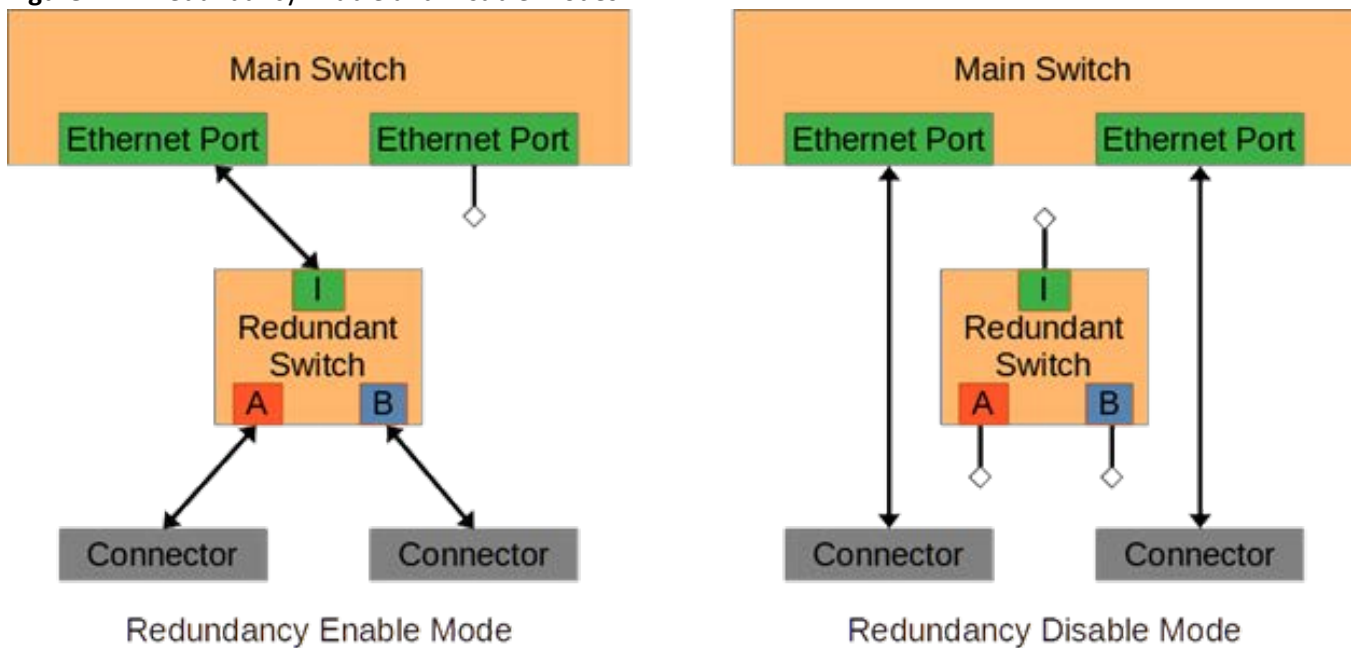


A QuadBox is only formed when both redundant interfaces on the line card are in this mode and then both activated.

## Redundancy Enable/Disable Mode

The redundancy enable / disable mode of the redundant interface is enabled by default but it can be disabled to allow the Port-A and Port-B spigots to be directly connected to ports on the main switch. This allows the spigots to be repurposed when only one redundant interface is needed on a line card.

**Figure 1:** Redundancy Enable and Disable Modes



The following command changes the redundancy mode of a redundant interface.

### **redundancy**

To change the redundancy mode of a redundant interface, use the command **redundancy** in Redundant Interface Configuration Mode.

### **redundancy**

```
redundancy {enable | disable}
```

*Parameters*

| Parameter | Type | Description                                                                                                                                                 |
|-----------|------|-------------------------------------------------------------------------------------------------------------------------------------------------------------|
| enable    |      | Enter to enable redundancy functionality for this interface (default).                                                                                      |
| disable   |      | Enter to disable redundancy functionality so Ethernet ports can be used instead. The interface needs to be in a deactivated state for this command to work. |

*Mode*

Redundant Interface Configuration Mode

*Examples*

```
iS5Comm# configure terminal
```

```
iS5Comm(config)# redundancy 6
```

```
iS5Comm(config-if-red6)# redundancy disable
```

```
iS5Comm(config-if-red6)#
```

**NOTE:** The example above disables redundancy on a specific redundant interface. The interface needs to be in a deactivated state for this command to work.

```
iS5Comm(config-if-red-range)# redundancy enable
```

```
iS5Comm(config-if-red-range)#
```

**NOTE:** The example above enables redundancy on multiple redundant interfaces at the same time.

**Supervision VLAN ID**

It has been left up to the user to select the VLAN ID to be added to supervision frames originating from the redundant interface as it can be part of any of multiple VLANs. The VLAN ID and supervisory priority can be changed with the following commands.

**supervision-vlan-id**

To change the VLAN ID to be added to supervision frames originating from the redundant interface, use the command **supervision-vlan-id** in Redundant Interface Configuration mode.

**supervision-vlan-id**

```
supervision-vlan-id <vlan (0-4094)>
```

*Parameters*

| Parameter          | Type | Description                                                                                                                                                                                                                                                                              |
|--------------------|------|------------------------------------------------------------------------------------------------------------------------------------------------------------------------------------------------------------------------------------------------------------------------------------------|
| <vlan<br>(0-4094)> |      | Enter a value for VLAN ID to be added to supervision frames originating from the redundant interface as it can be part of any of multiple VLANs. 0 will disable the VLAN tag on supervision frames and is also the default value. Enter from 1 to 4094 for a VLAN tag with this VLAN ID. |

*Mode*

Redundant interface configuration mode

*Examples*

iS5Comm# configure terminal

iS5Comm (config)# redundancy 6

iS5Comm(config-if-red6)# supervision-vlan-id 5

iS5Comm(config-if-red6)#

**NOTE:** The example above will set the supervision VLAN ID for a specific redundant interface to 5 .

**supervision-priority**

To setup and change the priority of the VLAN tag in the supervision frames independently of the VLAN ID, use the command **supervision-priority** in Redundant Interface Configuration mode.

**supervision-priority**

supervision-priority <integer (0-7)>

*Parameters*

| Parameter          | Type | Description                                                                                                                                        |
|--------------------|------|----------------------------------------------------------------------------------------------------------------------------------------------------|
| <integer<br>(0-7)> |      | Enter a value for the supervision priority. Setting both the VLAN ID and supervision priority to zero will disable the supervision frame VLAN tag. |

*Mode*

Redundant Interface Configuration Mode

*Examples*

iS5Comm# configure terminal

iS5Comm(config)# redundancy 6

```
iS5Comm(config-if-red6)# supervision-priority 2
```

```
iS5Comm(config-if-red6)#
```

**NOTE:** The example above will set the supervision priority to 2 for a specific redundant interface

## Port Control

Port-A and Port-B on the redundant interface can individually be disabled to test if redundant traffic is coming in on either port. The following command can be used to control the port state.

### port

To control the port state, use the command **port** in Redundant Interface Configuration mode.

### port

```
port {A | B} {up | down}
```

#### Parameters

| Parameter | Type | Description                                                    |
|-----------|------|----------------------------------------------------------------|
| A         |      | Enter to specify port A.                                       |
| B         |      | Enter to specify port B.                                       |
| up        |      | Enter to specify letting Ethernet traffic in or out (default). |
| down      |      | Enter to specify not letting Ethernet traffic in or out.       |

#### Mode

Redundant interface configuration mode

#### Examples

```
iS5Comm# configure terminal
```

```
iS5Comm(config)# redundancy 6
```

```
iS5Comm(config-if-red6)# port A down
```

```
iS5Comm(config-if-red6)#
```

**NOTE:** The example above will take Port A down to not let Ethernet traffic in or out.

```
iS5Comm# configure terminal
```

```
iS5Comm(config)# redundancy 6
```

```
iS5Comm(config-if-red6)# port B up
```

```
iS5Comm(config-if-red6)#
```

**NOTE:** The example above will take Port B up to let Ethernet traffic in and out.

## HSR Operational Mode

By default, HSR ports operate in Mode H (mandatory option). However other optional modes are also supported namely: Mode N to allow a double star topology to be created with HSR nodes (as with PRP), Mode T to allow normal Ethernet traffic to the A or B port useful for configuration, Mode U to generate more traffic on the ring as all unicast frames are treated as multicast frames, or Mode R (with optional NetId) to connect an HSR ring to a RSTP network. The following command can be used to set the HSR operational state.

### hsr-operational-mode

To set the HSR operational state, use the command **hsr-operational-mode** in Redundant Interface Configuration Mode.

### hsr-operational-mode

```
hsr-operational-mode {modeh | moden | modet | modeu | moder [netid <integer (1-7)>]}
```

#### Parameters

| Parameter                   | Type | Description                                                                                                                                                                       |
|-----------------------------|------|-----------------------------------------------------------------------------------------------------------------------------------------------------------------------------------|
| modeh                       |      | Enter to set HSR port to operational Mode H—the <u>H</u> SR-tagged forwarding mode. This is the default normal and mandatory option.                                              |
| moden                       |      | Enter to set HSR port to operational Mode N—the optional <u>N</u> o Forwarding mode. Select if the HSR network is built in the same way as PRP networks—with double star topology |
| modet                       |      | Enter to set HSR port to operational Mode T—the optional <u>T</u> ransparent Forwarding mode.                                                                                     |
| modeu                       |      | Enter to set HSR port to operational Mode U—the optional <u>U</u> nicast Forwarding mode.                                                                                         |
| moder                       |      | Enter to set HSR port to operational Mode R—with optional NetId 2. If NetId is not specified it will default to 1.                                                                |
| netid<br><integer<br>(1-7)> |      | Enter the NetId for the operational mode. The NetId will allow the two HSR RedBoxes to work together to pass BPDUs through the HSR ring.                                          |

#### Mode

Redundant Interface Configuration Mode

*Examples*

```
iS5Comm# configure terminal
iS5Comm(config)# redundancy 6
iS5Comm(config-if-red6)# hsr-operational-mode moden
iS5Comm(config-if-red6)#
```

```
iS5Comm(config-if-red6)# hsr-operational-mode modet
iS5Comm(config-if-red6)#
```

```
iS5Comm(config-if-red6)# hsr-operational-mode modeu
iS5Comm(config-if-red6)#
```

```
iS5Comm(config-if-red6)# hsr-operational-mode moder netid 2
iS5Comm(config-if-red6)#
```

```
iS5Comm(config-if-red6)# hsr-operational-mode modeh
iS5Comm(config-if-red6)#
```

**HSR-RSTP Fast Recovery**

HSR-RSTP fast recovery is an optional feature when a redundant interface is in HSR mode with HSR operational mode Mode-R.

The HSR-RSRP fast recovery feature has been implemented to handle the 6 seconds convergence delay on ALT/DISCARDING ports

The following command can be used to set up the HSR-RSTP fast recovery from the CLI.

**hsr-rstp-fast-recovery**

To set up the HSR-RSTP fast recovery, use the command **hsr-rstp-fast-recovery** in Redundant Interface Configuration Mode.

**hsr-rstp-fast-recovery**

```
hsr-rstp-fast-recovery enable | disable
```

*Parameters*

| Parameter | Type | Description                                          |
|-----------|------|------------------------------------------------------|
| enable    |      | Enter to enable the HSR-RSTP fast recovery feature.  |
| disable   |      | Enter to disable the HSR-RSTP fast recovery feature. |

*Mode*

Redundant Interface Configuration Mode

*Examples*

```
iS5Comm# configure terminal
iS5Comm (config)# interface redundant 5
iS5Comm(config-if-red5)# hsr-rstp-fast-recovery enable
```

**HSR NetId**

The HSR NetId is used to connect two RedBoxes to work together (used in HSR-PRP coupling mode, HSR-HSR QuadBox mode and HSR operational Mode R). The NetId is an optional parameter in the mode and hsr-operational-mode commands and if not specified will default to 1. This can subsequently be changed with the **hsr-netid** command.

The following command can be used to set the HSR NetId.

**hsr-netid**

To set the NetId, use the command **hsr-netid** in Redundant Interface Configuration Mode.

**hsr-netid**

```
hsr-netid <integer (1-7)>
```

*Parameters*

| Parameter       | Type | Description                  |
|-----------------|------|------------------------------|
| <integer (1-7)> |      | Enter a value for HSR Netid. |

*Mode*

Redundant Interface Configuration Mode

*Examples*

```
iS5Comm# configure terminal
```

```
iS5Comm (config)# interface redundant 6
```

```
iS5Comm(config-if-red6)# hsr-netid 5
```

**NOTE:** The example above sets the HSR NetId to 5.

## PRP Trailer Passing

By default, the PRP trailer is removed from frames as they move from the redundant network through the redundant switch to the normal network. As PRP networks can carry both ordinary and PRP Ethernet traffic, it may be useful for analysing frames from the redundant network if the PRP trailer is left on. Most Ethernet equipment will ignore the six extra byte trailer so should not cause any issues on the normal network if this option is used. The following command can be used to set the PRP trailer passing state.

### prp-trailer-pass

To set the PRP trailer passing state, use the command **prp-trailer-pass** in Redundant Interface Configuration mode.

### prp-trailer-pass

```
prp-trailer-pass {enable | disable}
```

#### Parameters

| Parameter | Type | Description                                                                                |
|-----------|------|--------------------------------------------------------------------------------------------|
| enable    |      | Enter to enable PRP trailer passing from redundant network to ordinary network.            |
| disable   |      | Enter to disable PRP trailer passing from redundant network to ordinary network (default). |

#### Mode

Redundant interface configuration mode

#### Examples

```
iS5Comm# configure terminal
```

```
iS5Comm(config)# redundancy 6
```

```
iS5Comm(config-if-red6)# prp-trailer-pass enable
```

```
iS5Comm(config-if-red6)#
```

**NOTE:** The example above will enable PRP trailer passing from redundant network to ordinary network.

```
iS5Comm# configure terminal
```

```
iS5Comm(config)# redundancy 6
```



```
iS5Comm(config-if-red6)# prp-trailer-pass disable
```

```
iS5Comm(config-if-red6)#
```

**NOTE:** The example above will disable PRP trailer passing from redundant network to ordinary network (default).

## QuadBox VLANs

A reserved VLAN ID is used to connect two redundant switches to form a QuadBox on a line card to isolate the Ethernet traffic from other ports. By default, VLAN ID 4059 to 4062 are the reserved values used for the four possible QuadBoxes that can be created. However, it is possible that this range conflicts with the user's network VLAN assignment, so it is possible to move this block of four VLAN IDs to another range.

The following command can be used to move the VLAN ID range in the Configuration mode.

### redundant quad-box

To move the VLAN ID range in the Configuration mode, use the command **redundant quad-box** in Global Configuration Mode.

### redundant quad-box

```
redundant quad-box base-vlan <vlan (0-4094)>
```

#### Parameters

| Parameter          | Type | Description                         |
|--------------------|------|-------------------------------------|
| base-vlan          |      | Enter to specify base VLAN.         |
| <vlan<br>(0-4094)> |      | Enter a value for reserved VLAN ID. |

#### Mode

Global Configuration mode

#### Examples

```
iS5Comm# configure terminal
```

```
iS5Comm(config)# redundant quad-box base-vlan 4000
```

```
iS5Comm(config)#
```

**NOTE:** The example above will change QuadBox reserved VLAN IDs. All QuadBoxes need to be deactivated for this command to work.

## 17.2. Informational Commands

Once the redundant switches have been set up, these commands can be used to verify the configuration and to monitor the redundant network.

### show interfaces redundant

To verify the redundancy configuration for one or all redundant interfaces from the top level EXEC mode, display the node table, proxy node table, to help find the correct spigot to connect to, to display the Quadbox configuration and the QuadBox Node Table, and to indicate the stability of the connections to the redundant network when using Link Stats, use the command **show interfaces redundant** in Privileged EXEC Mode.

### show interfaces redundant

```
show interfaces redundant [<red-id (1-8)>] {node-table | proxy-node-table |
configuration | mapping | quad-box configuration | quad-box node-table |
link-stats}
```

**Parameters**

| Parameter                           | Type    | Description                                                                                                                                                                                                                                                                                                                                                                                                                 |
|-------------------------------------|---------|-----------------------------------------------------------------------------------------------------------------------------------------------------------------------------------------------------------------------------------------------------------------------------------------------------------------------------------------------------------------------------------------------------------------------------|
| <code>red-id (1-8)</code>           | Integer | Enter a number for a specific redundant interface to be displayed.                                                                                                                                                                                                                                                                                                                                                          |
| <code>fast-recovery</code>          |         | Enter to display the fast-recovery parameters.                                                                                                                                                                                                                                                                                                                                                                              |
| <code>node-table</code>             |         | Enter to display the node table. Multicast supervision frames are sent by all redundant nodes and received by all redundant nodes within the redundant network. These frames can therefore be used to monitor availability of redundant nodes within the network. The Node Table is a collection of all supervision frames received from other nodes including the count, the sequence numbers and when they were last seen |
| <code>proxy-node-table</code>       |         | Enter to display the nodes that the redundant interface is representing (the proxy-node table). The redundant switch generates supervision frames for itself and for these nodes that are connected and communicating on the redundant network                                                                                                                                                                              |
| <code>configuration</code>          |         | Enter to display the redundancy configuration. Redundancy configuration can be verified for one or all redundant interfaces from the top level EXEC mode with the following command.                                                                                                                                                                                                                                        |
| <code>mapping</code>                |         | Enter to display the correct spigot to connect to. The HSR-PRP standard requires that port A is always to the left of or above port B. With the line card flipped between odd and even slots port remapped is used to ensure that this is the case. The HSR-PRP line card also supports both RJ45 and SFP spigots as well as with redundancy disabled different main switch ports are brought to the spigots.               |
| <code>quad-box configuration</code> |         | Enter to display the quad-box configuration. QuadBox configuration can be obtained through the standard HSR/PRP configuration command as well.                                                                                                                                                                                                                                                                              |
| <code>quad-box node-table</code>    |         | Enter to display the QuadBox Node Table. The QuadBox Node Table combines the supervision frames received on both redundant switches to provide a better picture of the connected redundant HSR networks.                                                                                                                                                                                                                    |
| <code>link-stats</code>             |         | Enter to display how stable the connections to the redundant network have been. Counters for a particular redundant interface are cleared on configuration changes, or by clearing all counters.                                                                                                                                                                                                                            |

**Mode**

## Privileged EXEC Mode

**Examples**

iS5Comm# show interfaces redundant 5 configuration

```

Red 5

Status : Active
Node type : HSR
 Operational mode : Mode R
 Network Id : 2
 STP root path cost : 3
 HSR-RSTP Fast Recovery : Enable
Supervision timeout : 60 sec
Proxy timeout : 60 sec
Evaluate supervision : Yes
 Supervisory nodes : 3
 Proxy nodes : 1
MAC address : E8:E8:75:90:73:D2
Version : 21010700
I-port connected to : Gi0/17
 MTU : 1500 bytes
 Negotiation : Auto
A-Port admin state : Up
 Link state : Up
B-Port admin state : Up
 Link state : Up

```

iS5Comm# show interfaces redundant fast-recovery

```

--- HSR-RSTP fast recovery state ---
Red State Detects Transmits Receives Unreadies Misses TErrors RErrors

5 Connected 1 24201 5112 0 0 0 0
6 Connected 1 24201 5112 0 0 0 0
7 Idle 1 0 0 0 0 0 0
8 Idle 1 0 0 0 0 0 0

```

As seen above, HSR-RSTP fast recovery state can be:

- Idle – when the feature is disabled,

- Syncing – when the feature is enabled but other side is not communicating, or
- Connected – when enabled and communicating with other side of the link.

**Detects** will count the number of times the fast recovery feature has detected the conditions requiring fast recovery.

**Transmits** and **Receives** indicate the communication message counts when enabled while **Unreadies** indicate the message count received while not enabled. Once in the **Connected** state three message Misses will cause the fast recovery process. **Terrors** are for transmit errors and **Rerrors** are errors interacting with RSTP algorithm.

iS5Comm# show interfaces redundant 5 node-table

| R | Node | Type  | Mode | MAC-Address       | A-B: | Counters   | SequenceNum | Last(s) |
|---|------|-------|------|-------------------|------|------------|-------------|---------|
| 5 | 1    | R-Box | HSR  | E8:E8:75:90:6C:B9 |      | 0- 382     | 0- 192      | 60- 1   |
|   | 2    | Vdan  | HSR  | E8:E8:75:90:6C:8A |      | 0- 382     | 0- 190      | 60- 1   |
|   | 3    | R-Box | HSR  | E8:E8:75:90:73:FD |      | 0- 382     | 0- 802      | 60- 1   |
|   | 4    | R-Box | HSR  | E8:E8:75:90:73:FE |      | 1602- 1602 | 802- 802    | 1- 1    |

iS5Comm# show interfaces redundant 5 proxy-node-table

| RED | Index | MAC-Address       |
|-----|-------|-------------------|
| 5   | 1     | 3C:18:A0:11:8E:C9 |
|     | 2     | E8:E8:75:90:73:D2 |

iS5Comm# show interfaces redundant mapping

```
LM3

```

Redundancy switches:  
Red 5 - Enabled - I-port connected to Gi0/17  
Red 6 - By-passed

External connections:

| Position:     | 1      | 2      | 3   | 4   | 5    | 6    | 7      | 8 |
|---------------|--------|--------|-----|-----|------|------|--------|---|
| Connector:    | SFP    | SFP    | SFP | SFP | RJ45 | RJ45 | RJ45   |   |
| RJ45          |        |        |     |     |      |      |        |   |
| SFP Detected: | YES    | YES    | NO  | NO  | -    | -    | -      | - |
| Port:         | Red-5A | Red-5B | X   | X   | X    | X    | Gi0/19 |   |
| Gi0/20        |        |        |     |     |      |      |        |   |

## iS5Comm# show interfaces redundant quad-box configuration

| Card | Condition | RED | HSR-HSR | Status | Port-A | State | Link | Port-B | State | Link |
|------|-----------|-----|---------|--------|--------|-------|------|--------|-------|------|
| 4    | Full      | 7   | Yes     | Active | Up     | Up    | Up   | Up     | Up    |      |
| 8    | Yes       |     |         | Active | Up     | Up    | Up   | Up     | Up    |      |

## iS5Comm# show interfaces redundant quad-box node-table

| C | Node | Type  | Mode | MAC-Address       | A-B:  | Counters | SequenceNum | Last(s)   |
|---|------|-------|------|-------------------|-------|----------|-------------|-----------|
| 4 | 1    | R-Box | HSR  | E8:E8:75:90:6C:B9 | 1826- | 5466     | 1827-       | 1827 0- 0 |
|   | 2    | Vdan  | HSR  | E8:E8:75:90:6C:8A | 1826- | 5466     | 1825-       | 1825 0- 0 |
|   | 3    | R-Box | HSR  | E8:E8:75:90:73:FB | 6076- | 2430     | 2437-       | 2437 0- 0 |
|   | 4    | Vdan  | HSR  | 3C:18:A0:11:8E:C9 | 6074- | 2428     | 2433-       | 2433 0- 0 |
|   | 5    | Vdan  | HSR  | E8:E8:75:90:73:D2 | 6076- | 2430     | 551-        | 551 0- 0  |
|   | 6    | R-Box | HSR  | E8:E8:75:90:73:FD | 1826- | 3965     | 2437-       | 2437 0- 0 |
|   | 7    | R-Box | HSR  | E8:E8:75:90:73:FE | 2430- | 6070     | 2437-       | 2437 0- 0 |

## iS5Comm# show interfaces redundant link-stats

HSR PRP Port Link Stats

HSR/PRP Link Counters @ Mon Mar 16 18:55:13 2020

| Red | Reset | A-down | A-up | B-down | B-up | I-down | I-up |
|-----|-------|--------|------|--------|------|--------|------|
| 1   | 0     | 0      | 0    | 0      | 0    | 0      | 0    |
| 2   | 0     | 0      | 0    | 0      | 0    | 0      | 0    |
| 3   | 3     | 0      | 1    | 0      | 1    | 0      | 1    |
| 4   | 3     | 0      | 1    | 0      | 1    | 0      | 1    |
| 5   | 0     | 0      | 0    | 0      | 0    | 0      | 0    |
| 6   | 0     | 0      | 0    | 0      | 0    | 0      | 0    |
| 7   | 0     | 0      | 0    | 0      | 0    | 0      | 0    |
| 8   | 0     | 0      | 0    | 0      | 0    | 0      | 0    |

HSR/PRP Link Logs @ Mon Mar 16 18:55:13 2020

Red State Time

|    |   |        |                          |
|----|---|--------|--------------------------|
| 1. | 3 | Reset  | Mon Mar 16 17:22:54 2020 |
| 2. | 3 | A-down | Mon Mar 16 17:22:54 2020 |
| 3. | 3 | B-down | Mon Mar 16 17:22:54 2020 |
| 4. | 4 | Reset  | Mon Mar 16 17:22:54 2020 |
| 5. | 4 | A-down | Mon Mar 16 17:22:54 2020 |

```

6. 4 B-down Mon Mar 16 17:22:54 2020
7. 3 Reset Mon Mar 16 17:22:54 2020
8. 3 A-down Mon Mar 16 17:22:54 2020
9. 3 B-down Mon Mar 16 17:22:54 2020
10. 3 Reset Mon Mar 16 17:22:54 2020
11. 4 Reset Mon Mar 16 17:22:55 2020
12. 4 A-down Mon Mar 16 17:22:55 2020
13. 4 B-down Mon Mar 16 17:22:55 2020
14. 4 Reset Mon Mar 16 17:22:55 2020
15. 3 B-up Mon Mar 16 17:22:57 2020
16. 3 I-up Mon Mar 16 17:22:57 2020
17. 4 A-up Mon Mar 16 17:22:57 2020
18. 4 I-up Mon Mar 16 17:22:57 2020
19. 3 A-up Mon Mar 16 17:23:05 2020
20. 4 B-up Mon Mar 16 17:23:05 2020

```

## show interfaces counters redundant

To display the redundant interface counters, use the command **show interfaces counters redundant** in Privileged EXEC Mode. Counters provide information on traffic patterns and errors within the switch.

### show interfaces counters redundant

```
show interfaces counters redundant [<red-id (1-8)>]
```

#### Parameters

| Parameter    | Type    | Description                                                 |
|--------------|---------|-------------------------------------------------------------|
| red-id (1-8) | Integer | Enter a number for the redundancy counters to be displayed. |

#### Mode

Privileged EXEC Mode

#### Examples

```
iS5Comm# show interfaces counters redundant
```

```

REDUNDANCY INTERFACES RX COUNTERS
Port Frames CRC errors Own HSR Duplicates Dropped PRP wrong
LanID

Red-5A 19953 0 8654 2587 0 0
Red-5B 19939 0 8648 11294 0 0
Red-5I 1079 0 0 0 0 0

```

|        |       |   |   |       |   |   |
|--------|-------|---|---|-------|---|---|
| Red-7A | 14495 | 0 | 0 | 8387  | 0 | 0 |
| Red-7B | 14495 | 0 | 0 | 14495 | 0 | 0 |
| Red-7I | 28320 | 0 | 0 | 0     | 0 | 0 |
| Red-8A | 17357 | 0 | 0 | 14774 | 0 | 0 |
| Red-8B | 17363 | 0 | 0 | 8532  | 0 | 0 |
| Red-8I | 27889 | 0 | 6 | 0     | 0 | 0 |

## REDUNDANCY INTERFACES TX COUNTERS

| Port | Frames | Dropped |
|------|--------|---------|
|------|--------|---------|

## 17.3. Clear Commands

Some information can be cleared to provide a new starting point for collection information.

### clear interfaces redundant

To clear the counters of the redundant interface, use the command **clear interfaces redundant** in Privileged EXEC Mode.

#### clear interface redundant

```
clear interface redundant <red-id (1-8)> counters
```

#### Parameters

| Parameter    | Type | Description                                             |
|--------------|------|---------------------------------------------------------|
| red-id (1-8) |      | Enter the number of redundant interface to be cleared.  |
| counters     |      | Enter to clear the counters of the redundant interface. |

#### Mode

Privileged EXEC Mode

#### Examples

```
iS5Comm# configure terminal
iS5Comm (config)# clear interfaces redundant 5 counters
```

### clear counters redundant

To clear the counters of the redundant interface, use the command **clear counters redundant** in Privileged EXEC Mode.



**clear counters redundant**

```
clear counters redundant [<integer (1-8)>]
```

**Parameters**

| Parameter       | Type | Description                                                       |
|-----------------|------|-------------------------------------------------------------------|
| <integer (1-8)> |      | Enter the number of redundant interface to have counters cleared. |

**Mode**

Redundant Interface Configuration Mode

**Examples**

```
iS5Comm# clear counters redundant 5
```

**clear hsr-prp redundant**

To clear the node table and the proxy node table, use the command **clear hsr-prp redundant** in Global Configuration Mode.

**clear**

```
clear hsr-prp redundant [<red-id (1-8)>] {node-table | proxy-node-table}
```

**Parameters**

| Parameter        | Type | Description                                                       |
|------------------|------|-------------------------------------------------------------------|
| <red-id (1-8)>   |      | Enter the number of redundant interface to have counters cleared. |
| node-table       |      | Enter to clear the node table.                                    |
| proxy-node-table |      | Enter to clear the proxy node table.                              |

**Mode**

Global Configuration Mode

**Examples**

```
iS5Comm# configure terminal
iS5Comm(config)# clear hsr-prp redundant node-table
iS5Comm(config)# clear hsr-prp redundant proxy-node-table
```

# LA

## 18. LA

*LA* (Link Aggregation) is a method of combining physical network links into a single logical link for increased bandwidth. *LA* increases the capacity and availability of the communications channel between devices (both switches and end stations) using existing Fast Ethernet and Gigabit Ethernet technology. *LA* also provides load balancing where the processing and communication activity is distributed across several links in a trunk, so that no single link is overwhelmed. By taking multiple *LAN* connections and treating them as a unified, aggregated link, practical benefits in many applications can be achieved.

*LA* provides the following important benefits:

- Higher link availability
- Increased link capacity

Improvements are obtained using existing hardware (no upgrading to higher-capacity link technology is necessary)

The Link Aggregation Control Protocol (*LACP*), described by IEEE 802.3ad, defines a method for two switches to automatically establish and maintain link aggregation groups (*LAG*s), or also called port channels or channel-groups. Port channels combine the bandwidth of multiple Ethernet ports into a single logical link, and management functions treat an *LAG* as if it were a single physical port.

When *LACP* is not enabled, a port channel might attempt to transmit packets to a remote single interface, which causes the communication to fail.

When *LACP* is enabled, a local *LAG* cannot transmit packets unless an *LAG* with *LACP* is also configured on the remote end of the link.

A channel group is a collection of Ethernet interfaces on a single switch. A port channel interface is a virtual interface that serves a corresponding channel group and connects to a compatible interface on another switch to form a port channel. Port channel interfaces can be configured and used in a manner similar to Ethernet interfaces. Port channel interfaces are configurable as Layer 2 interfaces, Layer 3 (routable) interfaces, and *VLAN* members.

The switch supports up to 8 link aggregation groups, with a maximum of up to 8 ports per group.

### 18.1. channel-group

To add a port as a member of the specified port channel that is already created in the switch, use the command **channel-group** in Interface Configuration Mode. The no form of the command deletes the aggregation of the port from all port channels.

**channel-group**

```
channel-group <channel-group-number(1-65535)> mode {active | on | passive}
```

**no channel-group****Parameters**

| Parameter                       | Type    | Description                                                                                                                                                                                                       |
|---------------------------------|---------|-------------------------------------------------------------------------------------------------------------------------------------------------------------------------------------------------------------------|
| <channel-group-number(1-65535)> | Integer | Enter to add a port as a member of the specified port channel that is already created in the switch. This is a unique value that represents the specific port-channel created. This value ranges from 1 to 65535. |
| mode                            |         | Enter to configure the LACP activity for the port.                                                                                                                                                                |
| active                          |         | Enter to configure starting of LACP negotiation unconditionally.                                                                                                                                                  |
| on                              |         | Enter to force the interface to channel without LACP. This is equivalent to manual aggregation.                                                                                                                   |
| passive                         |         | Enter to configure starting of LACP negotiation only when LACP packet is received from peer.                                                                                                                      |

**Mode**

Interface Configuration Mode

**Prerequisites**

This command executes successfully, only if

- the LA functionality is started and enabled in the switch.

**Examples**

```
iS5Comm(config)# interface gi 0/9
```

```
iS5Comm (config-if)# channel-group 2 mode active
```

## 18.2. channel-protocol

To enable link aggregation (LA) in the switch, use the command **channel-protocol** in Global Configuration Mode. This command is a standardized implementation of the existing command set `port-channel` and it operates similarly to this command. The `no` form of the command disables LA in the switch.

### channel-protocol

```
channel-protocol lacp
```

### no channel-protocol

### Parameters

| Parameter | Type | Description                                                                               |
|-----------|------|-------------------------------------------------------------------------------------------|
| lacp      |      | Enter to configure LACP (Link Aggregation Control Protocol) to provide manage channeling. |

### Mode

Global Configuration Mode

### Default

LA is disabled

### Examples

```
iS5Comm(config)# channel-protocol lacp
```

## 18.3. debug etherchannel

To enable the trace messages for link aggregation, use the command **debug etherchannel** in Privileged EXEC Mode. The trace statements are generated for the configured trace levels. This command is a standardized implementation of the existing command **debug lacp** and operates similar to this command. The `no` form of the command disables the tracing of the link aggregation as per the configured debug levels. The trace statements are not generated for the configured trace levels.

### debug etherchannel

```
debug etherchannel [all] [detail] [error] [event]
```

### no debug etherchannel

```
no debug etherchannel [all] [detail] [error] [event]
```

## Parameters

| Parameter | Type | Description                                                                                                                                                                                                                                                                                                                                                                                                    |
|-----------|------|----------------------------------------------------------------------------------------------------------------------------------------------------------------------------------------------------------------------------------------------------------------------------------------------------------------------------------------------------------------------------------------------------------------|
| all       |      | Enter to generate debug statements for all kinds of traces.                                                                                                                                                                                                                                                                                                                                                    |
| detail    |      | Enter to generate detailed debug statements for traces                                                                                                                                                                                                                                                                                                                                                         |
| error     |      | Enter to generate debug statements for all failure traces.                                                                                                                                                                                                                                                                                                                                                     |
| event     |      | Enter to generate debug statements for event traces. This trace is generated when any of packets are sent successfully or when an ACK is received. Event generates error messages for the following scenarios: <ul style="list-style-type: none"> <li>• Packet reception/transmission</li> <li>• Timer expiry</li> <li>• Port creation/deletion indication</li> <li>• Port status change indication</li> </ul> |

## Mode

Privileged EXEC Mode

## Examples

```
iS5Comm# debug etherchannel detail
```

## 18.4. debug lacp

To enable the tracing of the LACP as per the configured debug levels, use the command **debug lacp** in Privileged EXEC Mode. This command allows combination of debug levels to be configured (i.e. more than one level of trace can be enabled or disabled. The debug levels are configured one after the other and not in single execution of the command. The no form of the command disables the tracing of LACP as per the configured debug levels. Trace statements are not generated for the configured trace level.

### debug lacp

```
debug lacp [all] [buffer] [data] [events] [failall] [init-shutdown] [mgmt]
[os] [packet]
```

### no debug lacp

```
no debug lacp [all] [buffer] [data] [events] [failall] [init-shutdown]
[mgmt] [os] [packet]
```

## Parameters

| Parameter     | Type | Description                                                                                                                                        |
|---------------|------|----------------------------------------------------------------------------------------------------------------------------------------------------|
| all           |      | Enter to generate debug statements for all kinds of traces.                                                                                        |
| buffer        |      | Enter to generate debug statements for buffer-related traces.                                                                                      |
| data          |      | Enter to generate debug statements for data path traces. This trace is generated during failure in packet processing.                              |
| events        |      | Enter to generate debug statements for event traces. This trace is generated when any of packets are sent successfully or when an ACK is received. |
| failall       |      | Enter to generate debug statements for all kind of failure traces.                                                                                 |
| init-shutdown |      | Enter to generate debug statements for init and shutdown traces. These traces are generated during module initialization and shutdown.             |
| mgmt          |      | Enter to generate debug statements for management traces. This trace is generated whenever you configure any of the LA features.                   |
| os            |      | Enter to generate debug statements for OS resource related traces. This trace is generated during failure in message queues.                       |
| packet        |      | Enter to generate debug statements for packet dump traces. This trace is generated for all events generated during processing of packets.          |

## Mode

Privileged EXEC Mode

## Default

init-shutdown

## Examples

```
iS5Comm# debug lacp data
```

## 18.5. default port

To configure the port that should be set as default port for a port channel, use the command **default port** in Interface Configuration Mode. The configured port attaches with the port channel and participates

only in dynamic aggregation selection. The no form of the command deletes the default port assigned for the port channel.

### default port

```
default port {Extreme-Ethernet <interface-id> | gigabitethernet <inter-
face-id>}
```

### no default port

## Parameters

| Parameter        | Type | Description                                                                                                                                                                                                                                               |
|------------------|------|-----------------------------------------------------------------------------------------------------------------------------------------------------------------------------------------------------------------------------------------------------------|
| Gigabitethernet  |      | Enter to configure the type of interface to be set as default port for the port channel as gigabitethernet type interface. Gigabitethernet is a version of LAN standard architecture that supports data transfer up to 1 Gigabit per second.              |
| <interface-id>   |      | Enter to configure a specific slot number / port number. The format is <0>/<1-28> without spaces between Slot Number/Port Number. For example, 0/1.                                                                                                       |
| Extreme-Ethernet |      | Enter to configure the type of interface to be set as default port for the port channel as Extreme-Ethernet type interface. Extreme Ethernet is a version of Ethernet that supports data transfer up to 10 Gigabits per second and only full duplex links |
| <interface-id>   |      | Enter to configure a specific slot number / port number. The format is <0>/<1-28> without spaces between Slot Number/Port Number. For example, 0/1.                                                                                                       |

## Mode

Interface Configuration Mode

### Prerequisites

- This command can be executed successfully, only if the LA functionality is started and enabled in the switch.
- Only one port can be set as a default port.
- The port that is to be set as default port should have not been added as a member port for any of the port channel.

## Examples

```
iS5Comm# interface gigabitethernet 0/2
iS5Comm(config-if)# default port gigabitethernet 0/2
```

## 18.6. defaulted-state-threshold

To configure the default threshold on all ports in system and track the maximum number of times error recovery can be triggered from default state, use the command **defaulted-state-threshold** in Interface Configuration Mode. The no form of the command resets the defaulted state threshold value to default.

### defaulted-state-threshold

```
defaulted-state-threshold <integer (0-20)>
```

### no defaulted-state-threshold

### Parameters

| Parameter        | Type    | Description                                                                                                                                                                                                |
|------------------|---------|------------------------------------------------------------------------------------------------------------------------------------------------------------------------------------------------------------|
| <integer (0-20)> | Integer | Enter a value for the default threshold on all ports in system and track the maximum number of times error recovery can be triggered from default state. This value ranges from 0 to 20. The default is 5. |

### Mode

Interface Configuration Mode

### Examples

```
iS5Comm# interface gi 0/2
iS5Comm(config-if)# defaulted-state-threshold 10
```

## 18.7. hw-failure recovery-threshold

To configure the hardware failure recovery threshold on all ports in system and track the maximum number of times when error recovery is triggered after a hardware failure, use the command **hw-failure recovery-threshold** in Interface Configuration Mode. The configured port attaches with the port channel and participates only in dynamic aggregation selection. The no form of the command resets the value of hardware failure recovery threshold on port.



**hw-failure recovery-threshold**

```
hw-failure recovery-threshold <integer (0-20)>
```

**no hw-failure recovery-threshold****Parameters**

| Parameter        | Type    | Description                                                                                                                                                                                                                 |
|------------------|---------|-----------------------------------------------------------------------------------------------------------------------------------------------------------------------------------------------------------------------------|
| <integer (0-20)> | Integer | Enter a value for the hardware failure recovery threshold on all ports in system and track the maximum number of times error recovery triggered after a hardware failure. This value ranges from 0 to 20. The default is 5. |

**Mode**

Interface Configuration Mode

**Examples**

```
iS5Comm# interface gi 0/2
iS5Comm(config-if)# hw-failure recovery-threshold 10
```

**18.8. lacp admin-key**

To configure the *LACP* actor admin key and *LACP* Mode for a port, use the command **lacp admin-key** in Interface Configuration Mode.

**lacp admin-key**

```
lacp admin-key <admin-key(1-65535)> [mode {active | passive}]
```

## Parameters

| Parameter                                | Type    | Description                                                                                                                                                                                                                                           |
|------------------------------------------|---------|-------------------------------------------------------------------------------------------------------------------------------------------------------------------------------------------------------------------------------------------------------|
| <code>&lt;admin-key (1-65535)&gt;</code> | Integer | Enter a value to configure the LACP actor admin key that is used while port participates in dynamic aggregation selection. The port is made as part of best aggregation selected based on system ID and admin key. This value ranges from 1 to 65535. |
| <code>mode</code>                        |         | Enter to configure the LACP Mode for the port.                                                                                                                                                                                                        |
| <code>active</code>                      |         | Enter to configure starting of LACP negotiation unconditionally. This is the default mode.                                                                                                                                                            |
| <code>passive</code>                     |         | Enter to configure starting of LACP negotiation only when LACP packet is received from a peer.                                                                                                                                                        |

## Mode

Interface Configuration Mode

## Prerequisites

This command executes successfully, only if

- the LA functionality is started and enabled in the switch.
- The admin key can be configured only for ports that select aggregator dynamically (the port is configured as default interface for a port channel)

## Examples

```
iS5Comm(config)# interface gi 0/9
```

```
iS5Comm (config-if)# lacp admin-key 1 mode active
```

## 18.9. lacp port-identifier

To configure the *LACP* actor admin port ID to be filled in the *LACP*, use the command **lacp port-identifier** in Interface Configuration Mode. The no form of the command resets the global *LACP* system ID to its default value.

### lacp port-identifier

```
lacp port-identifier <port-id (1-65535)>
```

## Parameters

| Parameter                                  | Type    | Description                                                                                                                                                                                                                                                                                                                                         |
|--------------------------------------------|---------|-----------------------------------------------------------------------------------------------------------------------------------------------------------------------------------------------------------------------------------------------------------------------------------------------------------------------------------------------------|
| <code>&lt;port-id<br/>(1-65535)&gt;</code> | Integer | Enter a value to configure the LACP actor admin port ID to be filled in the LACP PDUs. This value represents the concerned aggregation port. This value ranges from 1 to 65535. The maximum limit depends on the number of ports. For example, if there are 24 ports, then the maximum value will be 24 only and the value will range from 1 to 24. |

## Mode

Interface Configuration Mode

## Prerequisites

This command executes successfully, only if

- the LA functionality is started and enabled in the switch.
- This configuration takes effect only on the interface that is configured for LACP.

## Examples

```
iS5Comm(config)# interface gi 0/9
```

```
iS5Comm(config-if)# lacp port-identifier 2
```

## 18.10. lacp port-priority

To configure the *LACP* port priority, use the command **lacp port-priority** in Interface Configuration Mode. The no form of the command resets the *LACP* port priority to its default value.

### lacp port-priority

```
lacp port-priority <priority (0-65535)>
```

## no lacp port-priority

### Parameters

| Parameter                                   | Type    | Description                                                                                                                                                                                                                                                                                                                                                                                                                                                            |
|---------------------------------------------|---------|------------------------------------------------------------------------------------------------------------------------------------------------------------------------------------------------------------------------------------------------------------------------------------------------------------------------------------------------------------------------------------------------------------------------------------------------------------------------|
| <code>&lt;priority<br/>(0-65535)&gt;</code> | Integer | Enter a value to configure the LACP port priority. This value ranges from 0 to 65535. This port priority is used in combination with LACP port identifier during the identification of best ports in a port channel. The priority determines if the link is an active link or a standby link, when the number of ports in the aggregation exceeds the maximum number supported by the hardware. The links with lower priority become active links. The default is 128. |

### Mode

Interface Configuration Mode

### Prerequisites

This command executes successfully, only if

- the LA functionality is started and enabled in the switch.
- This configuration takes effect only on the interface that is configured for LACP
- The LACP port priority will not be reset to its default value if the port is removed from one port channel and added to another port channel.

### Examples

```
iS5Comm(config)# int gi 0/9
```

```
iS5Comm(config-if)# lacp port-priority 1
```

## 18.11. lacp rate

To configure the *LACP* rate, use the command **lacp rate** in Interface Configuration Mode. This command is a standardized implementation of the existing command **lacp timeout**. It operates similar to the existing command. The no form of the command resets the *LACP* rate to its default value.

### lacp rate

```
lacp rate {normal | fast}
```

## no lacp rate

### Parameters

| Parameter | Type | Description                                                                                                                                                                                                                     |
|-----------|------|---------------------------------------------------------------------------------------------------------------------------------------------------------------------------------------------------------------------------------|
| normal    |      | Enter to configure to ingress the LACP control packets at normal rate. That is, LACP PDU should be received every 30 seconds and the timeout value (no packet is received from peer) is set as 90 seconds. This is the default. |
| fast      |      | Enter to configure to ingress the LACP control packets at fast rate. That is, LACP PDU should be received every 1 second and the timeout value is set as 3 seconds.                                                             |

### Mode

Interface Configuration Mode

### Prerequisites

This command executes successfully, only if

- the LA functionality is started and enabled in the switch.
- This configuration takes effect only on the interface that is configured for LACP.

### Examples

```
iS5Comm(config)# interface gi 0/9
```

```
iS5Comm(config-if)# lacp rate fast
```

## 18.12. lacp system-identifier

To configure the global *LACP* system ID, use the command **lacp system-identifier** in Global Configuration Mode. The no form of the command resets the global *LACP* system ID to its default value.

### lacp system-identifier

```
lacp system-identifier <system-id (aa:aa:aa:aa:aa:aa)>
```

## no lacp system-identifier

### Parameters

| Parameter                                                   | Type | Description                                                                                                                                                                                    |
|-------------------------------------------------------------|------|------------------------------------------------------------------------------------------------------------------------------------------------------------------------------------------------|
| <code>&lt;system-id<br/>(aa:aa:aa:<br/>aa:aa:aa)&gt;</code> |      | Enter a string to configure the global LACP system ID. The system ID denotes a 6-octet unicast MAC address value that is used as a unique identifier for the switch containing the aggregator. |

### Mode

Global Configuration Mode

### Prerequisites

This command executes successfully, only if

- the LA functionality is started and enabled in the switch.

### Examples

```
iS5Comm(config)# lacp system-identifier 00:01:02:03:04:05
```

## 18.13. lacp system-priority

To configure the *LACP* priority, use the command **lacp system-priority** in Global Configuration Mode. The no form of the command resets the *LACP* priority to its default value.

### lacp system-priority

```
lacp system-priority <priority (0-65535)>
```

## no lacp system-priority

### Parameters

| Parameter                   | Type    | Description                                                                                                                                                                                                                   |
|-----------------------------|---------|-------------------------------------------------------------------------------------------------------------------------------------------------------------------------------------------------------------------------------|
| <priority<br>(0-65535)<br>> | Integer | Enter to configure the LACP priority associated with actor's system ID. This priority value ranges between 0 and 65535. The switch with the lowest LACP decides the standby and active links in the LA. The default is 32768. |

### Mode

Global Configuration Mode

### Prerequisites

This command executes successfully, only if

- the LA functionality is started and enabled in the switch.
- when D-LAG status is disabled

### Examples

```
iS5Comm(config)# set port-channel enable
```

## 18.14. lacp timeout

To configure the *LACP* timeout period within which *LACP PDUs* should be received on a port and avoid timing out of the aggregated link, use the command **lacp timeout** in Interface Configuration Mode. The no form of the command resets the *LACP* timeout period to its default value.

### lacp timeout

```
lacp timeout {long | short}
```

## no lacp timeout

### Parameters

| Parameter | Type | Description                                                                                                                       |
|-----------|------|-----------------------------------------------------------------------------------------------------------------------------------|
| long      |      | Enter to configure the LLACP timeout period as 90 seconds. The LACP PDU should be received every 30 seconds. This is the default. |
| short     |      | Enter to configure the LLACP timeout period as 3 seconds. The LACP PDU should be received every second.                           |

### Mode

Interface Configuration Mode

### Prerequisites

This command executes successfully, only if

- the LA functionality is started and enabled in the switch.
- This configuration takes effect only on the interface that is configured for LACP.

### Examples

```
iS5Comm(config)# interface gi 0/9
iS5Comm(config-if)# lacp timeout short
```

## 18.15. lacp wait-time

To configure the *LACP* wait-time for an interface, use the command **lacp wait-time** in Interface Configuration Mode. The no form of the command resets the *LACP* wait-time to its default value.

### lacp wait-time

```
lacp wait-time <time <(0-10)>
```



## no lacp wait-time

### Parameters

| Parameter                        | Type    | Description                                                                                                                                                                                                                                                                                                                                     |
|----------------------------------|---------|-------------------------------------------------------------------------------------------------------------------------------------------------------------------------------------------------------------------------------------------------------------------------------------------------------------------------------------------------|
| <code>&lt;time (0-10)&gt;</code> | Integer | Enter a value to configure the LACP wait time for an interface. This value ranges from 0 to 10 seconds. The wait time represent the time (in seconds) till which the port waits before entering into aggregation after receiving partner information (that is, this represents the time taken to attach to the port channel). The default is 2. |

### Mode

Interface Configuration Mode

### Prerequisites

This command executes successfully, only if

- the LA functionality is started and enabled in the switch.
- This configuration takes effect only on the interface that is configured for LACP.
- The LACP wait-time will not be reset to its default value if the port is removed from one port channel and added to another port channel

### Examples

```
iS5Comm(config)# interface gi 0/9
iS5Comm(config-if)# lacp wait-time 1
```

## 18.16. port-channel max-ports

To configure the maximum number of ports that can be attached to a port channel, use the command **port-channel max-ports** in Interface Configuration Mode. The best ports are maintained in active state and other ports are maintained in standby state, if the total number of ports attached to the port channel exceeds the configured value.

### port-channel max-ports

```
port-channel max-ports <integer (2-8)>
```

## Parameters

| Parameter       | Type    | Description                                                                                                                                     |
|-----------------|---------|-------------------------------------------------------------------------------------------------------------------------------------------------|
| <integer (2-8)> | Integer | Enter a value to configure the maximum number of ports that can be attached to a port channel. This value ranges from 2 to 8. The default is 8. |

## Mode

Interface Configuration Mode

## Prerequisites

This command executes successfully, only if

- the LA functionality is started and enabled in the switch.

## Examples

```
iS5Comm(config)# interface gi 0/9
```

```
iS5Comm(config-if)# port-channel max-ports 5
```

## 18.17. port-channel

To configure the load balancing policy for all port channels created in the switch, the defaulted state threshold value for tracking the maximum number of times a port in defaulted state undergoes error recovery, the value of error-recovery threshold, the hardware failure recovery threshold value, the action to be performed on reaching the recovery threshold, and same state recovery threshold value for tracking the maximum number of times the port stays in the same state before triggering error recovery, use the command **port-channel** in Global Configuration Mode. The no form of the command resets the load balancing policy and all threshold values to their default values. It also resets the action to be performed on reaching the recovery threshold.

### port-channel

```
port-channel {load-balance {dest-ip | dest-ip6 | dest-l4-port | dest-mac |
l3-protocol | mac-dest-vid | mac-src-dest-vid | mac-src-vid |
service-instance | src-dest-ip | src-dest-mac | src-ip | src-ip6 |
src-l4-port | src-mac | vlan-id} [<port-channel-index(1-65535)>]
| defaulted-state-threshold <integer (0-20)>
| error-recovery-threshold <integer (0-20)>
| hw-failure recovery-threshold <integer (0-20)>
| rec-threshold-exceed-action <integer (0-20)>
```

---

```
| same-state {none | shutdown}
```

**no port-channel**

```
port-channel {load-balance [<port-channel-index(1-65535)>]
|defaulted-state-threshold | error-recovery-threshold | hw-failure
recovery-threshold | rec-threshold-exceed-action | same-state}
```

## Parameters

| Parameter        | Type | Description                                                                                                                                                                                                                                                                                                                                                |
|------------------|------|------------------------------------------------------------------------------------------------------------------------------------------------------------------------------------------------------------------------------------------------------------------------------------------------------------------------------------------------------------|
| load-balance     |      | Enter to configure the load balancing policy for all port channels created in the switch. The policy sets the rule for distributing the Ethernet traffic among the aggregated links to establish load balancing.                                                                                                                                           |
| dest-ip          |      | Enter to specify that the load distribution is based on the destination IP address. The bits of the destination IP address in the packet are used to select the port in which the traffic should flow.                                                                                                                                                     |
| dest-ip6         |      | Enter to specify that the load distribution is based on the destination IPv6 address. The bits of the destination IP address in the packet are used to select the port in which the traffic should flow.                                                                                                                                                   |
| dest-l4-port     |      | Enter to specify that the load distribution is based on the destination Layer 4 port. The bits of the destination Layer 4 port in the packet are used to select the port in which the traffic should flow.                                                                                                                                                 |
| dest-mac         |      | Enter to specify that the load distribution is based on the destination host MAC address. The bits of the destination MAC address in the packet are used to select the port in which the traffic should flow. Packets to the same destination are sent on the same port, but packets to different destinations are sent on different ports in the channel. |
| l3-protocol      |      | Enter to specify that the load distribution is based on the Layer 3 protocol. The bits of the Layer 3 protocol in the packet are used to select the port in which the traffic should flow.                                                                                                                                                                 |
| mac-dest-vid     |      | Enter to specify that the load distribution is based on the destination MAC address and VLAN ID. The VLAN ID and destination MAC address in the packet are used to select the port in which the traffic should flow.                                                                                                                                       |
| mac-src-dest-vid |      | Enter to specify that the load distribution is based on the VLAN ID, and destination and source MAC address. The VLAN ID, source MAC address and destination MAC address in the packet are used to select the port in which the traffic should flow.                                                                                                       |
| mac-src-vid      |      | Enter to specify that the load distribution is based on the source MAC address and VLAN ID. The VLAN ID and source MAC address in the packet are used to select the port in which the traffic should flow.                                                                                                                                                 |

| Parameter        | Type | Description                                                                                                                                                                                                                                                                                                                                                                                                                                                                                                 |
|------------------|------|-------------------------------------------------------------------------------------------------------------------------------------------------------------------------------------------------------------------------------------------------------------------------------------------------------------------------------------------------------------------------------------------------------------------------------------------------------------------------------------------------------------|
| service-instance |      | Enter to specify that the load distribution is based on the service-instance. The ISID in the packet is used to select the port in which the traffic should flow. Packets with the same service-instance use the same port. Packets with different service-instance use different ports such that the load is balanced among ports. The port can have packets with different service-instances as well.<br><b>NOTE:</b> Service Instance Selection Policy is only applicable for Provider Backbone Bridges. |
| src-dest-ip      |      | Enter to specify that the load distribution is based on the source and destination IP address. The bits of the source and destination IP address in the packet are used to select the port in which the traffic should flow.                                                                                                                                                                                                                                                                                |
| src-dest-mac     |      | Enter to specify that the load distribution is based on the source and destination MAC address. The bits of the source and destination MAC address in the packet are used to select the port in which the traffic should flow.                                                                                                                                                                                                                                                                              |
| mac-src-vid      |      | Enter to specify that the load distribution is based on the source MAC address and VLAN ID. The VLAN ID and source MAC address in the packet are used to select the port in which the traffic should flow.                                                                                                                                                                                                                                                                                                  |
| src-ip           |      | Enter to specify that the load distribution is based on the source IP address. The bits of the source IP address in the packet are used to select the port in which the traffic should flow.                                                                                                                                                                                                                                                                                                                |
| src-ip6          |      | Enter to specify that the load distribution is based on the source IPv6 address. The bits of the source IP address in the packet are used to select the port in which the traffic should flow.                                                                                                                                                                                                                                                                                                              |
| src-l4-port      |      | Enter to specify that the load distribution is based on the source Layer 4 port. The bits of the source Layer 4 port in the packet are used to select the port in which the traffic should flow.                                                                                                                                                                                                                                                                                                            |
| src-mac          |      | Enter to specify that the load distribution is based on the source MAC address. The bits of the source MAC address in the packet are used to select the port in which the traffic should flow. Packets from different hosts use different ports in the channel, but packets from the same host use the same port.                                                                                                                                                                                           |
| vlan-id          |      | Enter to specify that the load distribution is based on the VLAN ID. The VLAN ID in the packet is used to select the port in which the traffic should flow.                                                                                                                                                                                                                                                                                                                                                 |

| Parameter                      | Type    | Description                                                                                                                                                                                                                                       |
|--------------------------------|---------|---------------------------------------------------------------------------------------------------------------------------------------------------------------------------------------------------------------------------------------------------|
| <port-channel-index (1-65535)> | Integer | Enter to configure the load balancing policy for the specified port-channel. This is a unique value that represents the specific port-channel created. This value ranges from 1 to 65535.                                                         |
| defaulted-state-threshold      |         | Enter to configure the defaulted state threshold value for tracking the maximum number of times a port in defaulted state undergoes error recovery. This value overrides the threshold value configured on the ports.                             |
| <integer (0-20)>               | Integer | Enter a value for defaulted state threshold value for tracking the maximum number of times a port in defaulted state undergoes error recovery. This value ranges from 0 to 20. The default is 5.                                                  |
| error-recovery-threshold       |         | Enter to configure the error-recovery-threshold.                                                                                                                                                                                                  |
| <integer (0-20)>               | Integer | Enter a value for error-recovery-threshold. It ranges from 0 to 20. The default is 5.                                                                                                                                                             |
| hw-failure                     |         | Enter to configure the hardware failure.                                                                                                                                                                                                          |
| recovery-threshold             |         | Enter to configure the hardware failure recovery threshold value for tracking the maximum number of times a port can undergo recovery after a hardware failure. This value overrides the threshold value configured on the ports.                 |
| <integer (0-20)>               | Integer | Enter a value for hardware failure recovery threshold. This value ranges from 0 to 20. The default is 5.                                                                                                                                          |
| rec-threshold-exceed-action    |         | Enter to configure the action to be performed on reaching the recovery threshold.                                                                                                                                                                 |
| none                           |         | Enter to set the recovery threshold exceed action as none in the port channel, in which no action will be performed on reaching the recovery threshold of the port and the port remains in the same state (admin up). This is the default option. |
| shutdown                       |         | Enter to shut down the recovery threshold exceed action in the port channel, in which the administrative status of the port is made as down when the recovery is triggered after reaching the threshold value.                                    |
| same-state                     |         | Enter to configure the same state recovery threshold value for tracking the maximum number of times the port stays in the same state before triggering error recovery.                                                                            |
| recovery-threshold             |         | Enter to configure the same state recovery threshold value for tracking the maximum number of times the port stays in the same state before triggering error recovery.                                                                            |

| Parameter                           | Type    | Description                                                                                            |
|-------------------------------------|---------|--------------------------------------------------------------------------------------------------------|
| <code>&lt;integer (0-20)&gt;</code> | Integer | Enter a value for the same state recovery threshold. This value ranges from 0 to 20. The default is 5. |

## Mode

Global Configuration Mode

## Default

load balance—src-dest-mac

rec-threshold-exceed-action—none

All threshold values—5

## Prerequisites

This command executes successfully, only if

- Port-Channel is created in the system and mapped to a context.
- the LA functionality is started and enabled in the switch.

## Examples

```
iS5Comm(config)# port-channel load-balance mac-src-dest-vid 1
iS5Comm(config)# port-channel defaulted-state-threshold 10
iS5Comm(config)# port-channel error-recovery-threshold 16
iS5Comm(config)# port-channel hw-failure recovery-threshold 10
iS5Comm(config)# port-channel rec-threshold-exceed-action none
iS5Comm(config)# port-channel same-state recovery-threshold 10
```

## 18.18. same-state recovery-threshold

To configure the same state recovery threshold on all ports in system and to track the maximum number of times the port stays in the same state before triggering error recovery, use the command **same-state recovery-threshold** in Interface Configuration Mode. The no form of the command resets the value of same state recovery threshold on port.

### same-state recovery-threshold

```
same-state recovery-threshold <integer (0-20)>
```

**no same-state recovery-threshold****Parameters**

| Parameter           | Type    | Description                                                                                                                   |
|---------------------|---------|-------------------------------------------------------------------------------------------------------------------------------|
| <integer<br>(0-20)> | Integer | Enter a value for the same state recovery threshold on all ports in system. This value ranges from 0 to 20. The default is 5. |

**Mode**

Interface Configuration Mode

**Examples**

iS5Comm(config)# interface gi 0/2

iS5Comm(config-if)# same-state recovery-threshold 10

**18.19. set port-channel**

To configure the admin status of LA in the switch, use the command **set port-channel** in Global Configuration Mode.

**set port-channel**

```
set port-channel {enable | disable}
```

**Parameters**

| Parameter | Type | Description                                                                                                                                                                                                                                                                                                                                                                                                                             |
|-----------|------|-----------------------------------------------------------------------------------------------------------------------------------------------------------------------------------------------------------------------------------------------------------------------------------------------------------------------------------------------------------------------------------------------------------------------------------------|
| enable    |      | Enter to enable LA feature in the switch. The LA feature allows aggregating individual point-to-point links into a port channel group, so that the capacity and availability of the communications channel between devices are increased using the existing interface technology. Also, it starts the LA in the switch if the LA has been shut down.<br><b>NOTE:</b> a port-channel can be also called a link aggregation group or LAG. |
| disable   |      | Enter to disable LA feature in the switch. This is the default.                                                                                                                                                                                                                                                                                                                                                                         |

**Mode**

Global Configuration Mode



## Examples

```
iS5Comm(config)# set port-channel enable
```

## 18.20. show etherchannel

To display the EtherChannel information port-channels created in the switch, use the command **show etherchannel** in Privileged EXEC Mode. This information contains “admin” and “oper” status of port-channel module and status of protocol operate Mode for each group.

### show etherchannel

```
show etherchannel [<channel-group-number(1-65535)>] [detail] [load-balance]
[port] [port-channel] [protocol] [summary]
```

## Parameters

| Parameter                                            | Type    | Description                                                                                                                                                                                                                                                                                                                                                                                                                                                                                                                                                                                                                                                                                                   |
|------------------------------------------------------|---------|---------------------------------------------------------------------------------------------------------------------------------------------------------------------------------------------------------------------------------------------------------------------------------------------------------------------------------------------------------------------------------------------------------------------------------------------------------------------------------------------------------------------------------------------------------------------------------------------------------------------------------------------------------------------------------------------------------------|
| <code>&lt;channel-group-number (1-65535) &gt;</code> | Integer | Enter a value identifying a port-channel group to display EtherChannel information for the specified port-channel group. This is a unique value that represents the specific port-channel created. This value ranges from 1 to 65535.                                                                                                                                                                                                                                                                                                                                                                                                                                                                         |
| <code>detail</code>                                  |         | Enter to display detailed EtherChannel information. The information contain admin and oper status of port channel module, LACP system priority, status of protocol operate Mode for each group, port details for each group and port channel details. The port details contain port state, group to which the port belongs, port mode, aggregation state, port-channel ID, pseudo port-channel ID, admin key, oper key, port number, port state, and LACP port-priority, wait-time, port identifier, activity and timeout. The port channel details contain port channel ID, number of member ports, ID of hot standby port, port state, status of protocol operate Mode, aggregator MAC and default port ID. |
| <code>load-balance</code>                            |         | Enter to display the load balancing policy applied for each port-channel groups.                                                                                                                                                                                                                                                                                                                                                                                                                                                                                                                                                                                                                              |
| <code>port</code>                                    |         | Enter to display the status of protocol operate mode and port details for each group. The port details contain port state, group to which the port belongs, port Mode, aggregation state, port-channel ID, pseudo port-channel ID, admin key, oper key, port number, port state, and LACP port-priority, wait-time, port identifier, activity and timeout.                                                                                                                                                                                                                                                                                                                                                    |
| <code>port-channel</code>                            |         | Enter to display the admin and oper status of port channel module, and port channel details. The port channel details contain port channel ID, number of member ports, ID of hot standby port, port state, status of protocol operate Mode, aggregator MAC and default port ID.                                                                                                                                                                                                                                                                                                                                                                                                                               |
| <code>protocol</code>                                |         | Enter to display the status of protocol operate mode for each port-channel group.                                                                                                                                                                                                                                                                                                                                                                                                                                                                                                                                                                                                                             |
| <code>summary</code>                                 |         | Enter to display the admin and oper status of port channel module, number of channel groups used, number of aggregators, group IDs, and port channel ID, status of protocol operate Mode and member ports for each group                                                                                                                                                                                                                                                                                                                                                                                                                                                                                      |

## Mode

## Privileged EXEC Mode

### Prerequisites

This command executes successfully only if,

- LA functionality is started in the switch.
- Port channel is created in the system

### Examples

```
iS5Comm# show etherchannel
```

```
Port-channel Module Admin Status is enabled
Port-channel Module Oper Status is enabled
Port-channel recovery action on exceeding Threshold is None
Port-channel Independent mode is disabled
Port-channel System Identifier is 00:01:02:03:04:05
LACP System Priority: 5
LACP Error Recovery Time: 0
LACP Error Recovery Threshold: 5
LACP Recovery Triggered count: 0
LACP Error Recovery Threshold for Defaulted State : 5
LACP Error Recovery Threshold for Hardware Failure : 5
LACP Same state threshold : 5
```

```
Channel Group Listing
```

```

```

```
Group : 1
```

```

```

```
Group Status : L2
```

```
Protocol : Disabled
```

```
Group : 2
```

```

```

```
Group Status : L2
```

```
Protocol : Disabled
```

```
iS5Comm# show etherchannel detail
```

```
Port-channel Module Admin Status is enabled
Port-channel Module Oper Status is enabled
Port-channel Independent mode is disabled
Port-channel System Identifier is 00:01:02:03:04:05
LACP System Priority: 5
```

## Channel Group Listing

```

Group: 1

```

```
Protocol :LACP
```

```
Ports in the Group
```

```

Port : Gi0/2

```

```
Port State = Up in Bundle
```

```
Channel Group : 1
```

```
Mode : Active
```

```
Port-channel = Po1
```

```
Pseudo port-channel = Po1
```

```
LACP port-priority = 128
```

```
LACP Wait-time = 2 secs
```

```
LACP Port Identifier = 2
```

```
LACP Activity : ActiveLACP Timeout : LongAggregation
```

```
State : Aggregation, Sync, Collecting, Distributing, Defaulted
```

```
LACP Port Admin Oper Port Port State Priority Key
Number State
```

```

Gi0/2 Bundle 128 1 1 0x2 0xbe
```

```
Port-channel : Po1

```

```
Number of Ports = 1
```

```
HotStandBy port = null
```

```
Port state = Port-channel Ag-Inuse
```

```
Protocol = LACP
```

```
Aggregator-MAC 00:03:02:03:04:41
```

```
Maximum number of Ports = 5
```

```
Port-Channel Mtu = 1500
```

```
Port-Channel Speed = 100 Mbps
```

```
Port-Channel High Speed = 0 Mbps
```

```
Port-Channel Member Ports
```

```
Speed = 100 MbpsPort-Channel
```

```
Member Ports High Speed = 100 Mbps
```

```
iS5Comm# show etherchannel load-balance
```

```
Channel Group Listing
```

```

Group : 1

Source and Destination Mac VID

```

### iS5Comm# show etherchannel port

```

Channel Group Listing

Group: 1-----
Protocol :LACP

 Ports in the Group -----
Port : Gi0/2

Port State = Up in Bundle
Channel Group : 1
Mode : Active
Port-channel = Po1
Pseudo port-channel = Po1
LACP port-priority = 128
LACP Wait-time = 2 secs
LACP Port Identifier = 2
LACP Activity : Active
LACP Timeout : Long
Aggregation State : Aggregation, Sync, Collecting, Distributing,
Defaulted

LACP Port Admin Oper Port
PortPort State Priority Key Key Number State

Gi0/2 Bundle 128 1 1 0x2 0xbe

```

### iS5Comm # show etherchannel port-channel

```

Port-channel Module Admin Status is enabled
Port-channel Module Oper Status is enabled
Port-channel Independent mode is enabled
Port-channel System Identifier is 00:01:02:03:04:05
LACP System Priority: 5

 Channel Group Listing

-----Group : 1
-----e : L2

```

```

 Port-channels in the group:

Port-channel : Po1

Number of Ports = 1
HotStandBy port = null
Port state = Port-channel Ag-Not-Inuse
Protocol = LACP
Aggregator-MAC 00:04:02:03:04:41
Maximum number of Ports = 5
Port-Channel Mtu = 1500
Port-Channel Speed = 0 Mbps
Port-Channel High Speed = 0 Mbps
Port-Channel Member Ports Speed = 100 Mbps
Port-Channel Member Ports High Speed = 100 Mbps

```

### iS5Comm # show etherchannel protocol

```
Channel Group Listing
```

```

Group : 1

Group Status : L2
Protocol : LACP

```

### iS5Comm# show etherchannel summary

```

Port-channel Module Admin Status is enabled
Port-channel Module Oper Status is enabled
Port-channel recovery action on exceeding Threshold is None
Port-channel Independent mode is disabled
Port-channel System Identifier is e8:e8:75:90:0b:01
LACP System Priority: 32768
LACP Error Recovery Time: 0
LACP Error Recovery Threshold: 5
LACP Recovery Triggered count: 0
LACP Error Recovery Threshold for Defaulted State : 5
LACP Error Recovery Threshold for Hardware Failure : 5
LACP Same state threshold : 5

```

## 18.21. show interfaces etherchannel

To display the EtherChannel details for all aggregated ports and port channels, use the command **show interfaces etherchannel** in Privileged EXEC Mode. The port details contain port state, group to which the

port belongs, port mode, aggregation state, port-channel ID, pseudo port-channel ID, admin key, oper key, port number, port state, and *LACP* port-priority, wait-time, port identifier, activity and timeout. The port channel details contain port channel ID, number of member ports, ID of hot standby port, port state, status of protocol operate mode, aggregator MAC, and default port ID.

### show interfaces etherchannel

```
show interfaces {Extreme-Ethernet <interface-id> | Gigabitethernet <inter-
face-id>} etherchannel
```

### Parameters

| Parameter        | Type | Description                                                                                                                                                                            |
|------------------|------|----------------------------------------------------------------------------------------------------------------------------------------------------------------------------------------|
| Gigabitethernet  |      | Enter to display gigabitethernet type of interface. Gigabitethernet is a version of LAN standard architecture that supports data transfer up to 1 Gigabit per second.                  |
| <interface-id>   |      | Enter to display a specific slot number / port number. The format is <0>/<1-28> without spaces between Slot Number/Port Number. For example, 0/1.                                      |
| Extreme-Ethernet |      | Enter to display the Extreme-Ethernet type of interface. Extreme Ethernet is a version of Ethernet that supports data transfer up to 10 Gigabits per second and only full duplex links |
| <interface-id>   |      | Enter to display a specific slot number / port number. The format is <0>/<1-4> without spaces between Slot Number/Port Number. For example, 0/1.                                       |
| etherchannel     |      | Enter to display the EtherChannel details for a specific interface.                                                                                                                    |

### Mode

Privileged EXEC Mode

### Prerequisites

This command executes successfully only if,

- LA functionality is started in the switch.

### Examples

```
iS5Comm# show interfaces gigabitethernet 0/1 etherchannel
```

```
Port : Gi0/1
```

```

Port State = Up, Independent
Channel Group : 1
Mode : Active
Port-channel = Null
Pseudo port-channel = Po1
LACP port-priority = 1
LACP Wait-time = 1 secs
LACP Admin Port = 2
LACP Activity : Active
LACP Timeout : Short

```

Aggregation State : Aggregation, Sync, Defaulted Expired

| Port  | State | LACP Port<br>Priority | Admin<br>Key | Oper | Port<br>Number | Port<br>State |
|-------|-------|-----------------------|--------------|------|----------------|---------------|
| Gi0/1 | Indep | 1                     | 1            | 1    | 0x1            | 0xf3          |

#### iS5Comm# show interfaces etherchannel

```

Port : Gi0/2

```

```

Port State = Up, Independent
Channel Group : 1
Mode : Active
Port-channel = Null
Pseudo port-channel = Po1
LACP port-priority = 128
LACP Wait-time = 2 secs
LACP Port Identifier = 2
LACP Activity : Active
LACP Timeout : Long

```

Aggregation State : Aggregation, Sync, Defaulted Expired

| Port  | State | LACP Port<br>Priority | Admin<br>Key | Oper | Port<br>Number | Port<br>State |
|-------|-------|-----------------------|--------------|------|----------------|---------------|
| Gi0/2 | Indep | 128                   | 1            | 1    | 0x2            | 0xb3          |



```
Port-channel : Po1

Number of Ports = 1
HotStandBy port = null
Port state = Port-channel Ag-Not-Inuse
Protocol = LACP
Aggregator-MAC 00:04:02:03:04:41
Maximum number of Ports = 5

Port-Channel Mtu = 1500
Port-Channel Speed = 0 Mbps
Port-Channel High Speed = 0 Mbps
Port-Channel Member Ports Speed = 100 Mbps
Port-Channel Member Ports High Speed = 100 Mbps
```

## 18.22. show lacp

To display *LACP* counter / neighbor information for all port-channels, use the command **show lacp** in Privileged EXEC Mode.

### show lacp

```
show lacp {<port-channel(1-65535)> {counters | neighbor [detail]} | counters
| neighbor [detail]}
```

## Parameters

| Parameter                                     | Type    | Description                                                                                                                                                                                                                                                 |
|-----------------------------------------------|---------|-------------------------------------------------------------------------------------------------------------------------------------------------------------------------------------------------------------------------------------------------------------|
| <code>&lt;port-channel 1 (1-65535)&gt;</code> | Integer | Enter a value for port-channel to display LACP counter / neighbor information for the specified port-channel. This is a unique value that represents the specific port-channel created. This value ranges from 1 to 65535.                                  |
| <code>counters</code>                         |         | Enter to display the LACP counter information. The information contains port ID, LACP PDUs sent and received, number of markers sent and received, number of marker response sent and received, number of LACP PDUs packets and number of LACP PDUs errors. |
| <code>neighbor</code>                         |         | Enter to display LACP neighbor information. This information contains partner system ID, flags details, LACP partner port priority, operational key, and port state                                                                                         |
| <code>detail</code>                           |         | Enter to display the detailed LACP neighbor information. This information contain partner system ID, flags, aggregation state, and LACP partner port priority, partner oper key, partner port state, activity and timeout.                                  |

## Mode

Privileged EXEC Mode

## Prerequisites

This command executes successfully only if,

- LA functionality is started and enabled in the switch.

## Examples

```
iS5Comm# show lacp 1 counters
```

```

LACPDUs Marker Response LACPDUs Error States
Port Sent Recv Sent Recv Sent Recv Pkts Err
Detd Trgd

```

```


```

```
Channel group: 1
```

```

```

```
No interfaces aggregated in the channel group
```

## 18.23. shutdown port-channel

To shut down *LA* feature in the switch and release all resources allocated to the *LA* feature, use the command **shutdown port-channel** in Global Configuration Mode. *LA* feature allows aggregating individual point-to-point links into a port channel group, so that the capacity and availability of the communications channel between devices are increased using the existing interface technology. The no form of the command starts and enables *LA* feature in the switch, and allocates required memory to the *LA* module. The *LA* feature is made available in the switch only if the *LA* is enabled in the switch.

**shutdown port-channel**

**no shutdown port-channel**

### Mode

Global Configuration Mode

### Default

*LA* is started in the switch, but not enabled. That is *LA* operational status is disabled

### Prerequisites

*LA* cannot be started in the switch, if the base bridge Mode is configured as transparent bridging

### Examples

```
iS5Comm(config)# shutdown port-channel
```

# LLDP

## 19. LLDP

*LLDP* (Link Layer Discovery Protocol) supports a set of attributes that are used for discovering the neighbor devices. These attributes contain type, length, and value descriptions and are referred to as Time to Live ( *TLV*)s. *LLDP* supported devices can use *TLV*s to receive and send information to their neighbors.

*TLV* (Time to Live) is value that defines for the receiving agent how long the information contained in the *TLV* Value field is valid.

$TTL = \text{message transmission interval} * \text{hold time multiplier}$ .

For example, if the value of *LLDP* transmission interval is 30, and the value of the *LLDP* hold multiplier is 4, then the value 120 is encoded in the *TTL* field in the *LLDP* header.

Fast transmission periods are initiated when a new neighbor is detected, and cause *LLDP* packets to be transmitted at a shorter time interval than during normal operation of the protocol. The fast transmission period ensures that more than one *LLDP* packet is transmitted when a new neighbor is detected. The first transmission is immediate, and the subsequent transmissions occur at the specified fast transmission (TX) interval.

The switch supports the following mandatory basic management *TLV*s.

- Port description *TLV*
- System name *TLV*
- System description
- System capabilities *TLV*
- Management address *TLV*
- Port VLAN ID *TLV* (IEEE 802.1 organizationally specific *TLV*s)
- MAC/PHY configuration/status *TLV* (IEEE 802.3 organizationally specific *TLV*s)

*LLDP* conforms to IEEE 802.1AB-2005 standard. The *LLDP* allows systems on an Ethernet *LAN* to advertise their key capabilities and also to learn about the key capabilities of other systems on the same Ethernet *LAN*. This, in turn, promotes a unified network management view of the *LAN* topology and connectivity to aid network administration and trouble-shooting.

*LLDP* provides the following features:

- Provides full conformance to the 802.1AB specification.
- Supports all mandatory *TLV*s (Chassis ID, Port ID and Time To Live).
- Supports optional *TLV*s - Port description, System name, System description, System capabilities and Management address.

- Supports organizationally specific optional *TLVs* - Port VLAN ID, Port and protocol VLAN ID, VLAN name, MAC or PHY configuration or status, Link Aggregation and Maximum frame size.
- Provides a generic set of APIs for easy integration into different platforms.
- Supports the basic *MIB*, as well as, the extension *MIBs* in Appendix F and Appendix G as defined in the 802.1AB specification and a proprietary *MIB* for management.
- Provides support for notifications through traps

## 19.1. clear lldp

To clear *LLDP*-related information, use the command **clear lldp** in Global Configuration Mode.

### clear lldp

```
clear lldp {counters | table}
```

### Parameters

| Parameter | Type | Description                                                                                                                                                                    |
|-----------|------|--------------------------------------------------------------------------------------------------------------------------------------------------------------------------------|
| counters  |      | Enter to clear the inbuilt counter which has the total count of LLDP frames that are transmitted/ received.<br><b>NOTE:</b> This command does not clear the global statistics. |
| table     |      | Enter to clear all LLDP information about the neighbors                                                                                                                        |

### Mode

Global Configuration Mode

### Prerequisites

This command executes only if *LLDP* is started.

### Examples

```
iS5Comm(config)# clear lldp counters
```

```
iS5Comm(config)# clear lldp table
```

## 19.2. debug lldp

To specify debug level for *LLDP* module, use the command **debug lldp** in Privileged EXEC Mode. The no form of the command disables debug option for *LLDP* module.

**debug lldp**

```
debug lldp {all | all-fail | buf | critical | ctrl | data-path | init-shut |
mgmt} | pkt-dump | redundancy | resource

| tlv {all | chassis-id | inventory-management | lagg | mac-phy | max-frame
| med-capability | mgmt-addr | mgmt-digest | network-policy | port-descr |
port-id | port-vlan | ppvlan | proto-id | pwr-mdi | sys-capab | sys-descr |
sys-name | ttl | vid-digest | vlan-name}
```

**no debug lldp**

```
no debug lldp {all | all-fail | buf | critical | ctrl | data-path |
init-shut | mgmt} | pkt-dump | redundancy | resource | tlv}
```

## Parameters

| Parameter            | Type | Description                                                                                                                                                        |
|----------------------|------|--------------------------------------------------------------------------------------------------------------------------------------------------------------------|
| all                  |      | Enter to generate debug statements for all kinds of traces.                                                                                                        |
| all-fail             |      | Enter to generate debug statements for all kinds of failure traces.                                                                                                |
| buf                  |      | Enter to generate buffer allocation / release traces.                                                                                                              |
| critical             |      | Enter to generate debug statements for critical SEM.                                                                                                               |
| ctrl                 |      | Enter to generate debug statements for control plane traces.                                                                                                       |
| data-path            |      | Enter to generate debug statements for data path traces. This trace is generated during failure in packet processing.                                              |
| init-shut            |      | Enter to generate debug statements for initiation and shutdown traces. This trace is generated on failed initialization and shutting down of LLDP related entries. |
| mgmt                 |      | Enter to generate debug statements for management traces. This trace is generated during failure in configuration of any of the LLDP features.                     |
| pkt-dump             |      | Enter to generate debug statements for packet dump traces.                                                                                                         |
| redundancy           |      | Enter to generate debug statements for the LLDP redundancy module.                                                                                                 |
| resource             |      | Enter to generate debug statements for OS resource related traces. This trace is generated during failure in message queues.                                       |
| tlv                  |      | Enter to generate debug statements for TLV related traces for the following traces:                                                                                |
| all                  |      | Enter to generate debug statements for all TLV trace messages.                                                                                                     |
| Chassis-ID           |      | Enter to generate debug statements for Chassis-ID TLV traces.                                                                                                      |
| inventory-management |      | Enter to generate debug statements for inventory-management TLV traces.                                                                                            |
| lagg                 |      | Enter to generate debug statements for Link Aggregation TLV traces.                                                                                                |
| mac-phy              |      | Enter to generate debug statements for MAC or PHY TLV traces.                                                                                                      |
| max-frame            |      | Enter to generate debug statements for maximum frame TLV traces.                                                                                                   |
| med-capability       |      | Enter to generate debug statements for MED Capability TLV traces.                                                                                                  |
| mgmt-addr            |      | Enter to generate debug statements for Management VID TLV traces.                                                                                                  |
| mgmt-digest          |      | Enter to generate debug statements for Management VID traces.                                                                                                      |

| Parameter      | Type | Description                                                            |
|----------------|------|------------------------------------------------------------------------|
| network-policy |      | Enter to generate debug statements for Network-policy TLV traces.      |
| port-descr     |      | Enter to generate debug statements for Port description TLV traces.    |
| port-id        |      | Enter to generate debug statements for Port-ID TLV traces.             |
| port-vlan      |      | Enter to generate debug statements for Port-VLAN TLV traces.           |
| ppvlan         |      | Enter to generate debug statements for Port-protocol-VLAN TLV traces.  |
| proto-id       |      | Enter to generate debug statements for Protocol-ID TLV traces.         |
| pwr-mdi        |      | Enter to generate debug statements for power-through-MDI TLV traces    |
| sys-capab      |      | Enter to generate debug statements for system capabilities TLV traces. |
| sys-descr      |      | Enter to generate debug statements for system description TLV traces.  |
| sys-name       |      | Enter to generate debug statements for system name TLV traces.         |
| ttl            |      | Enter to generate debug statements for TTL TLV traces.                 |
| vid-digest     |      | Enter to generate debug statements for VID digest TLV traces.          |
| vlan-name      |      | Enter to generate debug statements for VLAN-name TLV traces.           |

## Mode

Privileged EXEC Mode

## Prerequisites

This command executes only if LLDP is started

## Examples

```
iS5Comm# debug lldp init-shut
```

```
iS5Comm# debug lldp tlv sys-descr
```



## 19.3. lldp

To configure global *LLDP* properties on the switch such as, interval at which LLDPDU are transmitted, chassis identifier, hold time-multiplier value, reinitialization delay time, transmit delay, or maximum number of consecutive LLDPDUs that can be transmitted at any time or during fast transmission period, use the command **lldp** in Global Configuration Mode. This command executes only if *LLDP* is started. The no form of the command resets the multiplier, the notification interval, reinitialization delay time, the transmission interval, and the transmit delay to their default values.

### lldp

```
lldp {MessageFastTx <range (1-3600)>
 | chassis-id-subtype {chassis-comp <string(255)> | if-alias | if-name |
local <string(255)> | mac-addr | nw-addr | port-comp <string(255)>}
 | holdtime-multiplier <value(2-10)>
 | notification-interval <seconds(5-3600)>
 | reinitialization-delay <seconds(1-10)>
 | transmit-interval <value(5-32768)>
 | tx-delay <value(1-8192)>
 | txFastInit <value(1-8)>}
```

### no lldp

```
no lldp {holdtime-multiplier | notification-interval | reinitializa-
tion-delay | transmit-interval | tx-delay}
```

## Parameters

| Parameter          | Type    | Description                                                                                                                                                                                                                                                                                                                                                                                                                                                                                                                                                                     |
|--------------------|---------|---------------------------------------------------------------------------------------------------------------------------------------------------------------------------------------------------------------------------------------------------------------------------------------------------------------------------------------------------------------------------------------------------------------------------------------------------------------------------------------------------------------------------------------------------------------------------------|
| MessageFastTx      |         | Enter to configure the interval at which LLDP frames are transmitted on behalf of this LLDP agent during fast transmission period. Fast transmission periods are initiated when a new neighbor is detected, and cause LLDP packets to be transmitted at a shorter time interval than during normal operation of the protocol. The fast transmission period ensures that more than one LLDP packet is transmitted when a new neighbor is detected. The first transmission is immediate, and the subsequent transmissions occur at the specified fast transmission (TX) interval. |
| <range (1-3600)>   | Integer | Enter a message fast transmit interval value with a default 1.                                                                                                                                                                                                                                                                                                                                                                                                                                                                                                                  |
| chassis-id-subtype |         | Enter to configure an ID for LLDP chassis subtype which is a unique address of any module.<br><b>NOTE:</b> Chassis ID value can be set only for the chassis-component and local system subtypes. For all other subtypes, it takes the value from the system automatically.                                                                                                                                                                                                                                                                                                      |
| chassis-comp       |         | Enter to configure the chassis identifier based on the value of entPhysicalAlias object for a chassis component                                                                                                                                                                                                                                                                                                                                                                                                                                                                 |
| <string(255)>      | Integer | Enter an ID value based on the value of entPhysicalAlias object.                                                                                                                                                                                                                                                                                                                                                                                                                                                                                                                |
| if-alias           |         | Enter to configure the chassis identifier based on the value of ifAlias for an interface on the chassis.                                                                                                                                                                                                                                                                                                                                                                                                                                                                        |
| if-name            |         | Enter to configure the chassis identifier based on the value of ifName object for an interface on the chassis                                                                                                                                                                                                                                                                                                                                                                                                                                                                   |
| local              |         | Enter to configure the chassis identifier based on a locally defined value.                                                                                                                                                                                                                                                                                                                                                                                                                                                                                                     |
| <string(255)>      | Integer | Enter an ID value for the local system subtype.                                                                                                                                                                                                                                                                                                                                                                                                                                                                                                                                 |
| mac-addr           |         | Enter to configure the chassis identifier based on the value of a unicast source address of a port on the chassis.                                                                                                                                                                                                                                                                                                                                                                                                                                                              |
| nw-addr            |         | Enter to configure the chassis identifier based on the network address associated with a particular chassis. The encoded address is actually composed of two fields. The first field is a single octet, representing the IANA AddressFamilyNumbers value for the specific address type, and the second field is the network address value                                                                                                                                                                                                                                       |

| Parameter              | Type    | Description                                                                                                                                                                                                          |
|------------------------|---------|----------------------------------------------------------------------------------------------------------------------------------------------------------------------------------------------------------------------|
| port-comp              |         | Enter to configure the chassis identifier based on the value of entPhysicalAlias object for a port or backplane within the chassis.                                                                                  |
| <string (255)>         | Integer | Enter an ID value based on the value of entPhysicalAlias object.                                                                                                                                                     |
| holdtime-multiplier    |         | Enter to configure the holdtime-multiplier range, which is how long the receiving device holds an LLDP packet before discarding it.                                                                                  |
| <value (2-10)>         | Integer | Enter a holdtime-multiplier value. It ranges from 2 to 10 with default of 4.                                                                                                                                         |
| notification-interval  |         | Enter to configure the time interval in which the local system generates a notification-event. In the specific interval, generating more than one notification-event is not possible.                                |
| <seconds (5-3600)>     | Integer | Enter a value for the time interval in which the local system generates a notification-event. It ranges from 5 to 3600 with default of 5 seconds.                                                                    |
| reinitialization-delay |         | Enter to configure the reinitialization delay time which is the minimum time an LLDP port will wait before reinitializing LLDP transmission.                                                                         |
| <seconds (1-10)>       | Integer | Enter a value for this reinitialization delay time. This value ranges from 1 to 10 seconds with a default of 2 seconds.                                                                                              |
| transmit-interval      |         | Enter to configure the transmission interval in which the server sends the LLDP frames to the LLDP module.                                                                                                           |
| <value (5-32768)>      | Integer | Enter a value for the transmission interval. It ranges from 5 to 32768 with default of 30.                                                                                                                           |
| tx-delay               |         | Enter to configure the transmit delay which is the minimum amount of delay between successive LLDP frame transmissions.<br><b>NOTE:</b> tx-delay should be less than or equal to $0.25 * \text{Message Tx Interval}$ |
| <value (1-8192)>       | Integer | Enter a value for the transmit delay. It ranges from 1 to 8192 seconds with default of 2 seconds.                                                                                                                    |
| txCreditMax            |         | Enter to configure the maximum number of consecutive LLDPDUs that can be transmitted at any time.                                                                                                                    |
| <value (1-10)>         | Integer | Enter a value for maximum number of consecutive LLDPDUs. This value ranges from 1 to 10 with a default of 5.                                                                                                         |

| Parameter      | Type    | Description                                                                                                                                                         |
|----------------|---------|---------------------------------------------------------------------------------------------------------------------------------------------------------------------|
| txFastInit     |         | Enter to configure the value used to initialize the txFast variable which determines the number of transmissions that are made in fast transmission mode            |
| <value (1-8) > | Integer | Enter a value for the number of LLDPDUs that are transmitted during a fast transmission period. This value ranges from 1 to 10 seconds with a default of 4 seconds. |

## Mode

Global Configuration Mode

## Examples

```
iS5Comm(config)# lldp MessageFastTx 3500
iS5Comm(config)# lldp chassis-id-subtype chassis-comp myswitch
iS5Comm(config)# lldp chassis-id-subtype if-alias
iS5Comm (config)# lldp holdtime-multiplier 5
iS5Comm(config)# lldp notification-interval 150
iS5Comm(config)# lldp reinitialization-delay 4
iS5Comm(config)# lldp transmit-interval 50
iS5Comm(config)# lldp txCreditMax 3
iS5Comm(config)# lldp txFastInit 3
```

## 19.4. lldp

To configure *LLDP* properties on an interface, use the command **lldp** in Interface Configuration Mode. This command executes only if *LLDP* is started. The no form of the command resets all *LLDP* properties to their default values. This command can be executed only if *LLDP* is started.

### lldp

```
lldp {Dest-mac <mac_addr>
 | med-location med-tlv-select elin-location location-id <string(10-25)>
 | med-tlv-select {ex-power-via-mdi | inventory-management | location-id |
med-capability | network-policy} [mac-addr <mac-addr>]
 | notification {remote-table-chg | mis-configuration {mac-addr <mac-addr>}}
```

```
| port-id-subtype if-alias | if-name | local <string(255)> | mac-addr |
port-comp <string(255)>}
| receive [mac-addr <mac-addr>]
| tlv-select {basic-tlv {mgmt-addr {all | ipv4 <ucast_addr> | ipv6
<ipv6_addr>} | port-descr | sys-capab | sys-descr | sys-name} | dot1tlv
{link-aggregation | mgmt-vid | port-vlan-id | protocol-vlan-id {<vlan_id
(1-4094)> | all} | vid-usage-digest | vlan-name {<vlan_id (1-4094)> | all}}
[mac-addr <mac-addr>] | dot3tlv {link-aggregation | macphy-config |
max-framesize}
| transmit [mac-addr <mac-addr>]
```

**no lldp**

```
no lldp {Dest-mac | med-location | med-tlv-select | notification | receive |
tlv-select | transmit}
```

## Parameters

| Parameter            | Type | Description                                                                                                                                                                                                                                          |
|----------------------|------|------------------------------------------------------------------------------------------------------------------------------------------------------------------------------------------------------------------------------------------------------|
| Dest-mac             |      | Enter to configure destination mac-address to be used by the LLDP agent for transmission on this port.<br><b>NOTE:</b> This command can be executed only for LLDP ver 2.                                                                             |
| <mac_addr>           |      | Enter a message fast transmit interval value (txFast).                                                                                                                                                                                               |
| med-location         |      | Enter to configure the Location Identification TLV related configuration.                                                                                                                                                                            |
| elin-location        |      | Enter to configure the Emergency Location Information Number (ELIN) location subtype information advertised by the endpoint.                                                                                                                         |
| location-id          |      | Enter for location information related configuration.                                                                                                                                                                                                |
| <string(10-25)>      |      | Enter a location identification value.                                                                                                                                                                                                               |
| med-tlv-select       |      | Enter to configure the LLDP-MED TLV transmission on a given switch port.<br><b>NOTE:</b> MAC-address can be configured only if <ul style="list-style-type: none"> <li>• LLDP version v2 is enabled</li> <li>• lldp dest-mac is configured</li> </ul> |
| ex-power-via-mdi     |      | Enter to configure the extended power via MDI TLV related transmission for the LLDP module.                                                                                                                                                          |
| inventory-management |      | Enter to configure the Inventory-management TLV related transmission for the LLDP module.                                                                                                                                                            |
| location-id          |      | Enter to configure the Location identification TLV related transmission for the LLDP module                                                                                                                                                          |
| med-capability       |      | Enter to configure the Med Capability TLV transmission for the LLDP module.                                                                                                                                                                          |
| network-policy       |      | Enter to configure the Network-policy TLV related transmission for the LLDP module.                                                                                                                                                                  |
| mac-addr             |      | Enter to configure the basic TLV transmission to use the MAC address as destination MAC address by the LLDP agent on the specified switch port.                                                                                                      |
| <mac-addr>           |      | Enter a destination MAC address.                                                                                                                                                                                                                     |
| notification         |      | Enter to configure the control of the transmission of LLDP notifications.                                                                                                                                                                            |

| Parameter         | Type    | Description                                                                                                                                                                                  |
|-------------------|---------|----------------------------------------------------------------------------------------------------------------------------------------------------------------------------------------------|
| remote-table-chg  |         | Enter to configure sending trap notification to NMS when remote table change occurs.                                                                                                         |
| mis-configuration |         | Enter to configure sending trap notification to NMS when misconfiguration is identified.                                                                                                     |
| mac-addr          |         | Enter to configure the MAC address to be used as destination MAC address by the LLDP agent on the specified port                                                                             |
| port-id-subtype   |         | Enter to configure an ID for LLDP port subtype.                                                                                                                                              |
| if-alias          |         | Enter to configure the chassis identifier based on the value of ifAlias for an interface on the chassis.                                                                                     |
| if-name           |         | Enter to configure the chassis identifier based on the value of ifName object for an interface on the chassis                                                                                |
| local             |         | Enter to configure the chassis identifier based on a locally defined value.                                                                                                                  |
| <string(255)>     | Integer | Enter an ID value for the a chassis identifier                                                                                                                                               |
| mac-addr          |         | Enter to configure the LLDP port ID subtype and port ID value.                                                                                                                               |
| port-comp         |         | Enter to configure the chassis identifier based on the value of entPhysicalAlias object for a port or backplane within the chassis.                                                          |
| <string(255)>     | Integer | Enter an ID value based on the value of entPhysicalAlias object.                                                                                                                             |
| receive           |         | Enter to configure to set LLDP admin status on an interface to Receive.                                                                                                                      |
| mac-addr          |         | Enter to configure specifies the MAC destination address of the LLDP agent.                                                                                                                  |
| <mac-addr>        |         | Enter a destination MAC address.                                                                                                                                                             |
| tlv-select        |         | Enter to configure the TLV type configuration.                                                                                                                                               |
| basic-tlv         |         | Enter to set the basic TLV transmission configuration.                                                                                                                                       |
| mgmt-addr         |         | Enter to enable the basic TLV transmission to maintain the management addresses through which a management module can manage the system and allow the transmission on the current interface. |
| all               |         | Enter to enable the transmission of a particular ipv4 address on the current interface.                                                                                                      |

| Parameter          | Type | Description                                                                                                                                                                                                        |
|--------------------|------|--------------------------------------------------------------------------------------------------------------------------------------------------------------------------------------------------------------------|
| ipv4               |      | Enter to enable the transmission of only configured IPv4 addresses.                                                                                                                                                |
| <ucast_addr>       |      | Enter an Unicast IP address. The format is A.B.C.D                                                                                                                                                                 |
| ipv6               |      | Enter to enable the transmission of only configured IPv6 addresses.                                                                                                                                                |
| <ipv6_addr>        |      | Enter an IPv6 address. The format is AAAA::BBBB.                                                                                                                                                                   |
| port-descr         |      | Enter to enable the basic TLV transmission for the administratively assigned description for the port.                                                                                                             |
| sys-capab          |      | Enter to enable the basic TLV transmission for the administratively assigned system name.                                                                                                                          |
| sys-descr          |      | Enter to enable the basic TLV transmission for the administratively assigned system description. The system description includes system's hardware name and type, and system's operating software and its version. |
| sys-name           |      | Enter to enable the system capabilities of the basic TLV transmission                                                                                                                                              |
| dot1tlv            |      | Enter to enable the basic TLV transmission for the administratively assigned description for the port.                                                                                                             |
| link-aggregation   |      | Enter to perform dot1 TLV configuration while transmitting the LLDP frames to the link-aggregation TLV.<br><b>NOTE:</b> This parameter can be set only when LLDP version is set as v2.                             |
| mgmt-vid           |      | Enter to perform dot1 TLV configuration while transmitting the LLDP frames to the management TLV.<br><b>NOTE:</b> This parameter can be set only when LLDP version is set as v2.                                   |
| port-vlan-id       |      | Enter to specify the VLAN ID of the port that uniquely identifies a specific VLAN. This VLAN ID is associated with a specific group of protocols for the specific port                                             |
| protocol-vlan-id   |      | Enter to specify the protocol ID that represents a specific group of protocols that are associated together when assigning a VID to a frame. This group ID is associated with the specific port.                   |
| <vlan_id (1-4094)> |      | Enter to set the protocol id as the mentioned vlan id. This value ranges from 1 to 4094.                                                                                                                           |
| all                |      | Enter to set the protocol ID to all.                                                                                                                                                                               |



| Parameter          | Type | Description                                                                                                                                                                            |
|--------------------|------|----------------------------------------------------------------------------------------------------------------------------------------------------------------------------------------|
| vid-usage-digest   |      | Enter to perform dot1 TLV configuration while transmitting the LLDP frames to the VID usage digest TLV.<br><b>NOTE:</b> This parameter can be set only when LLDP version is set as v2. |
| vlan-name          |      | Enter to specify the administratively assigned string, which is used to identify the VLAN.                                                                                             |
| <vlan_id (1-4094)> |      | Enter to set the protocol id as the mentioned vlan id. This value ranges from 1 to 4094.                                                                                               |
| all                |      | Enter to set the protocol ID to all.                                                                                                                                                   |
| mac-addr           |      | Enter to configure specifies the MAC destination address of the LLDP agent.<br><b>NOTE:</b> This parameter can be set only when LLDP version is set as v2.                             |
| <mac-addr>         |      | Enter a destination MAC address.                                                                                                                                                       |
| dot3tlv            |      | Enter to perform dot3 TLV configuration while transmitting the LLDP frames to the particular port apart from the basic settings.                                                       |
| link-aggregation   |      | Enter to configure the link aggregation protocol statistics for each port on the device.                                                                                               |
| macphy-config      |      | Enter to configure the physical MAC address of the TLV.                                                                                                                                |
| max-framesize      |      | Enter to configure the maximum frame size of the TLV.                                                                                                                                  |
| transmit           |      | Enter to configure to set LLDP admin status on an interface to Transmit.                                                                                                               |
| mac-addr           |      | Enter to configure specifies the MAC destination address of the LLDP agent.                                                                                                            |
| <mac-addr>         |      | Enter a destination MAC address.                                                                                                                                                       |

## Mode

Interface Configuration Mode

## Examples

```
iS5Comm(config-if)# lldp dest-mac 00:11:22:33:44:55
```

```
% Dest-Mac address cannot be configured for lldp version1
```

```
iS5Comm(config-if)# exit
iS5Comm(config)# set lldp version v2
iS5Comm (config-if)# lldp med-location elin-location location-id 12345678912345
iS5Comm(config-if)# lldp med-tlv-select inventory-management
iS5Comm(config-if)# lldp med-tlv-select location-id mac-address 00:01:03:04:06:07
iS5Comm(config-if)# lldp med-tlv-select inventory-management
iS5Comm(config-if)# lldp med-tlv-select location-id mac-address 00:01:03:04:06:07
iS5Comm(config-if)# lldp notification remote-table-chg
iS5Comm(config-if)# lldp port-id-subtype mac-addr
iS5Comm(config-if)# lldp port-id-subtype local slot0/1
iS5Comm(config-if)# lldp tlv-select basic-tlv port-descr
iS5Comm(config-if)# lldp tlv-select dot1tlv port-vlan-id mac-address 00:11:22:33:44:55
iS5Comm(config-if)# lldp tlv-select dot3tlv macphy-config
iS5Comm(config-if)# lldp receive
iS5Comm(config-if)# lldp transmit
iS5Comm(config-if)# lldp med-tlv-select inventory-management
iS5Comm(config-if)# lldp med-tlv-select location-id mac-address 00:01:03:04:06:07
```

## 19.5. set lldp

To enable or disable globally the LLDP feature on the switch, to enable tagging, and select a LLDP version, use the command **set lldp** in Global Configuration Mode.

### set lldp

```
set lldp {disable | enable | tag status {enable | disable} | version {v1 | v2}}
```

## Parameters

| Parameter | Type | Description                                                                                                                                                                                                                                                                                                                              |
|-----------|------|------------------------------------------------------------------------------------------------------------------------------------------------------------------------------------------------------------------------------------------------------------------------------------------------------------------------------------------|
| disable   |      | Enter to disable LLDP feature in the switch. There will be no transmitting / receiving the LLDP packets between LLDP module and the server. This is the default.                                                                                                                                                                         |
| enable    |      | Enter to enable LLDP feature in the switch or to transmits /receive the LLDP packets between LLDP module and the server.                                                                                                                                                                                                                 |
| tag       |      | Enter to set the transmitted LLDPDU (LLDP Data Units) to be tagged or untagged.                                                                                                                                                                                                                                                          |
| status    |      | Enter to configure the status of the transmitted LLDPDU as tagged or not.                                                                                                                                                                                                                                                                |
| disable   |      | Enter to disable tagging of the LLDPDU. Untagged LLDPDU do not carry a VLAN identifier as part of the Ethernet header.                                                                                                                                                                                                                   |
| enable    |      | Enter to enable tagging of the LLDPDU. When the LLDP tag is enabled, the Tagged LLDP packets are transmitted on edge virtual bridge (EVB) uplink access ports (UAP), and untagged LLDP packets will be transmitted on the other ports. The configured management IP address is carried in the management address TLV of the LLDP packet. |
| version   |      | Enter to determine the LLDP version to be used.                                                                                                                                                                                                                                                                                          |
| v1        |      | Enter to enable LLDP 2005 version 1.                                                                                                                                                                                                                                                                                                     |
| v2        |      | Enter to enable LLDP 2009 version 2                                                                                                                                                                                                                                                                                                      |

## Mode

Global Configuration Mode

## Examples

```
iS5Comm(config)# set lldp enable
```

```
iS5Comm(config)# set lldp version v2
```

```
iS5Comm (config)# set lldp tag status enable
```

## 19.6. set lldp-med

To enable or disable the *LLDP-MED* on the port, use the command **set lldp-med** in Interface Configuration Mode.

**set lldp-med**

```
set lldp-med {enable | disable}
```

**Parameters**

| Parameter | Type | Description                            |
|-----------|------|----------------------------------------|
| enable    |      | Enter to enable LLDP-MED on the port.  |
| disable   |      | Enter to disable LLDP-MED on the port. |

**Mode**

Interface Configuration Mode

**Examples**

```
iS5Comm (config-if)# set lldp-med enable
```

**19.7. show lldp**

To display the *LLDP* global configuration details to be initialized on an interface, use the command **show lldp** in Privileged EXEC Mode.

**show lldp**

```
show lldp [errors]

[interface {Extreme-Ethernet <interface-id> | Gigabitethernet <inter-
face-id>}]

[local {{Extreme-Ethernet <interface-id> | Gigabitethernet <interface-id>}
[mac-addr <mac-addr>]} [mgmt-addr]]

[neighbors [Extreme-Ethernet <interface-id> | Gigabitethernet <inter-
face-id>]} [chassis-id <string(255)>] [detail]]

[peers {Extreme-Ethernet <interface-id> | Gigabitethernet <interface-id>}
|chassis-id <string(255)>} [<mac-addr> [mgmt-addr]] [detail]

[statistics]

[traffic [{Extreme-Ethernet <interface-id> | Gigabitethernet <inter-
face-id>} [mac-addr <mac-addr>]]]
```

## Parameters

| Parameter        | Type | Description                                                                                                                                                                            |
|------------------|------|----------------------------------------------------------------------------------------------------------------------------------------------------------------------------------------|
| errors           |      | Enter to display the information about the errors such as memory allocation failures, queue overflows and table overflow                                                               |
| interface        |      | Enter to display the information about interfaces where LLDP is enabled                                                                                                                |
| Gigabitethernet  |      | Enter to display gigabitethernet type of interface. Gigabitethernet is a version of LAN standard architecture that supports data transfer up to 1 Gigabit per second.                  |
| <interface-id>   |      | Enter to display a specific slot number / port number. The format is <0>/<1-28> without spaces between Slot Number/Port Number. For example, 0/1.                                      |
| Extreme-Ethernet |      | Enter to display the Extreme-Ethernet type of interface. Extreme Ethernet is a version of Ethernet that supports data transfer up to 10 Gigabits per second and only full duplex links |
| <interface-id>   |      | Enter to display a specific slot number / port number. The format is <0>/<1-4> without spaces between Slot Number/Port Number. For example, 0/1.                                       |
| local            |      | Enter to display the current switch information that will show lldp local be used to populate outbound LLDP advertisements for a specific interface or all interfaces                  |
| Gigabitethernet  |      | Enter to display gigabitethernet type of interface. Gigabitethernet is a version of LAN standard architecture that supports data transfer up to 1 Gigabit per second.                  |
| <interface-id>   |      | Enter to display a specific slot number / port number. The format is <0>/<1-28> without spaces between Slot Number/Port Number. For example, 0/1.                                      |
| Extreme-Ethernet |      | Enter to display the Extreme-Ethernet type of interface. Extreme Ethernet is a version of Ethernet that supports data transfer up to 10 Gigabits per second and only full duplex links |
| <interface-id>   |      | Enter to display a specific slot number / port number. The format is <0>/<1-4> without spaces between Slot Number/Port Number. For example, 0/1.                                       |
| mac-addr         |      | Enter to display information about neighbors for the specified destination MAC address of the LLDP agent.                                                                              |
| <mac-addr>       |      | Enter a destination MAC address.                                                                                                                                                       |

| Parameter        | Type | Description                                                                                                                                                                            |
|------------------|------|----------------------------------------------------------------------------------------------------------------------------------------------------------------------------------------|
| mgmt-addr        |      | Enter to display information about the management addresses configured in the system and Tx enabled ports.                                                                             |
| neighbors        |      | Enter to display information about neighbors on an interface or all interfaces.                                                                                                        |
| Gigabitethernet  |      | Enter to display gigabitethernet type of interface. Gigabitethernet is a version of LAN standard architecture that supports data transfer up to 1 Gigabit per second.                  |
| <interface-id>   |      | Enter to display a specific slot number / port number. The format is <0>/<1-28> without spaces between Slot Number/Port Number. For example, 0/1.                                      |
| Extreme-Ethernet |      | Enter to display the Extreme-Ethernet type of interface. Extreme Ethernet is a version of Ethernet that supports data transfer up to 10 Gigabits per second and only full duplex links |
| <interface-id>   |      | Enter to display a specific slot number / port number. The format is <0>/<1-4> without spaces between Slot Number/Port Number. For example, 0/1.                                       |
| chassis-id       |      | Enter to display LLDP Neighbor information for the specified chassis identifier value.                                                                                                 |
| <string(255)>    |      | Enter a value for the specified chassis identifier value. This value is a string value with a maximum size of 255.                                                                     |
| detail           |      | Enter to display the information obtained from all received TLVs.                                                                                                                      |
| peers            |      | Enter to display peer related information.                                                                                                                                             |
| Gigabitethernet  |      | Enter to display gigabitethernet type of interface. Gigabitethernet is a version of LAN standard architecture that supports data transfer up to 1 Gigabit per second.                  |
| <interface-id>   |      | Enter to display a specific slot number / port number. The format is <0>/<1-28> without spaces between Slot Number/Port Number. For example, 0/1.                                      |
| Extreme-Ethernet |      | Enter to display the Extreme-Ethernet type of interface. Extreme Ethernet is a version of Ethernet that supports data transfer up to 10 Gigabits per second and only full duplex links |
| <interface-id>   |      | Enter to display a specific slot number / port number. The format is <0>/<1-4> without spaces between Slot Number/Port Number. For example, 0/1.                                       |

| Parameter        | Type | Description                                                                                                                                                                                                                                                                                                                                                                            |
|------------------|------|----------------------------------------------------------------------------------------------------------------------------------------------------------------------------------------------------------------------------------------------------------------------------------------------------------------------------------------------------------------------------------------|
| chassis-id       |      | Enter to display LLDP Neighbor information for the specified chassis identifier value.                                                                                                                                                                                                                                                                                                 |
| <string(255)>    |      | Enter a value for the specified chassis identifier value. This value is a string value with a maximum size of 255.                                                                                                                                                                                                                                                                     |
| mac-addr         |      | Enter to display information about neighbors for the specified destination MAC address of the LLDP agent.                                                                                                                                                                                                                                                                              |
| <mac-addr>       |      | Enter a destination MAC address.                                                                                                                                                                                                                                                                                                                                                       |
| detail           |      | Enter to display the information obtained from all received TLVs.                                                                                                                                                                                                                                                                                                                      |
| statistics       |      | Enter to display the LLDP remote table statistics information                                                                                                                                                                                                                                                                                                                          |
| traffic          |      | Enter to display LLDP counters on all interfaces or on a specific interface. This includes the following: <ul style="list-style-type: none"> <li>• Total Frames Out</li> <li>• Total Entries Aged</li> <li>• Total Frames In</li> <li>• Total Frames Received In Error</li> <li>• Total Frames Discarded</li> <li>• Total TLVS Unrecognized</li> <li>• Total TLVs Discarded</li> </ul> |
| Gigabitethernet  |      | Enter to display gigabitethernet type of interface. Gigabitethernet is a version of LAN standard architecture that supports data transfer up to 1 Gigabit per second.                                                                                                                                                                                                                  |
| <interface-id>   |      | Enter to display a specific slot number / port number. The format is <0>/<1-28> without spaces between Slot Number/Port Number. For example, 0/1.                                                                                                                                                                                                                                      |
| Extreme-Ethernet |      | Enter to display the Extreme-Ethernet type of interface. Extreme Ethernet is a version of Ethernet that supports data transfer up to 10 Gigabits per second and only full duplex links                                                                                                                                                                                                 |
| <interface-id>   |      | Enter to display a specific slot number / port number. The format is <0>/<1-4> without spaces between Slot Number/Port Number. For example, 0/1.                                                                                                                                                                                                                                       |
| mac-addr         |      | Enter to display information about neighbors for the specified destination MAC address of the LLDP agent.                                                                                                                                                                                                                                                                              |
| <mac-addr>       |      | Enter a destination MAC address.                                                                                                                                                                                                                                                                                                                                                       |

## Mode

Privileged EXEC Mode

## Examples

iS5Comm# show lldp

```

LLDP is enabled
LLDP Version : v1
Transmit Interval : 50
Holdtime Multiplier : 4
Reinitialization Delay : 2
Tx Delay : 2
Notification Interval : 5
Chassis Id SubType : Mac Address
Chassis Id : e8:e8:75:90:0b:01
LLDP Tag Status : disabled
Configured Management Ipv4 Address : 0.0.0.0
Configured Management Ipv6 Address : ::

```

iS5Comm# show lldp interface gigabitethernet 0/1

```

0/1:
Tx State : Enabled
Rx State : Enabled
Tx SEM State : INITIALIZE
Rx SEM State : WAIT PORT OPERATIONAL
Notification Status : Disabled
Notification Type : Mis-configuration
DestinationMacAddr : 01:80:c2:00:00:0e

```

iS5Comm# show lldp local (only gi 0/1 shown below)

```

Capability Codes : (R) Router, (B) Bridge, (T) Telephone, (C) DOCSIS
Cable Device,
(W) WLAN Access Point, (P) Repeater, (S) Station, (O) Other

Chassis Id SubType : Mac Address
Chassis Id : e8:e8:75:90:0b:01
System Name : mysystem
System Description : sysdescription
iBiome Software version : 1.2.17, Raptor L3 Switch
System Capabilities Supported : B,R
System Capabilities Enabled : B,R

```



```

-LLDP-MED Info
Device Class : Network Connectivity

-LLDP-MED Inventory Info
Hardware Revision : 1531-0001-B02
Firmware Revision : 6.7.2
Software Revision : 6.2.0
Serial Number :
Manufacturer Name :
Model Name :
Asset Id : DummyId

LLDP-MED PoE Info
Power Device Type : PSE Device
Power Source : Primary

Gi0/1 :
Port Id SubType : Interface Alias
Port Id : Gi0/1
Port Description : Ethernet Interface Port 01
Enabled Tx Tlvs : Port Description, System Name,
System Description, System Capability,
Management AddressExtended 802.3 TLV Info
-MAC PHY Configuration & Status
Auto-Neg Support & Status : Not Supported, Enabled
Advertised Capability Bits : 0000
Operational MAU Type : 0
-Link Aggregation
Capability & Status : Not Capable, Not In
AggregationAggregated Port Id : 0
-Maximum Frame Size : 1500

Extended 802.1 TLV Info-Port VLAN Id : 1
-Port & Protocol VLAN Id
Protocol VLAN Id Support Protocol VLAN Status
TxStatus-----

0 Supported Enabled Disabled
-Vlan NameVlan Id Vlan Name
TxStatus-----

```

```

1 Disabled
LLDP-MED Admin Status : Disabled
-LLDP-MED Capability TLV
LLDP-MED Tx Supported : MedCapability, NetworkPolicy,
LocationIdentity,
Ex-PowerViaMDI-PSE, Inventory
LLDP-MED Tx Enabled :

-LLDP-MED Network Policy TLV
Application Type :
Unknown Policy Flag :
VlanType :
VlanID :
Priority :
Dscp :

-LLDP-MED Location TLV Info
Location Subtype :
Location Info :

-LLDP-MED Ex-PowerViaMDI TLV Info
Power Priority : Critical
Power Value : 1000

```

**iS5Comm# show lldp local mgmt-addr**

```

Management Address TxEnabledPorts

192.168.10.1 Gi0/1, Gi0/2, Gi0/3, Gi0/4
Gi0/5, Gi0/6, Gi0/7, Gi0/8
Gi0/9, Gi0/10, Gi0/11, Gi0/12
Gi0/13, Gi0/14, Gi0/15, Gi0/16
Gi0/17, Gi0/18, Gi0/19, Gi0/20
Gi0/21, Gi0/22, Gi0/23, Gi0/24

```

**iS5Comm# show lldp neighbors**

```

Capability Codes : (R) Router, (B) Bridge, (T) Telephone, (C) DOCSIS
Cable Device, (W) WLAN Access Point, (P) Repeater, (S) Station, (O)
OtherChassis ID Local Intf Hold-time Capability Port
Id-----
54:e1:ad:07:0d:87 Gi0/10 3601
54:e1:ad:07:0d:87

```

```
Total Entries Displayed : 1
```

## iS5Comm# show lldp peers gi 0/1

Capability Codes :  
 (R) Router, (B) Bridge, (T) Telephone, (C) DOCSIS Cable Device,  
 (W) WLAN Access Point, (P) Repeater, (S) Station, (O) Other

| Chassis ID<br>Id-----       | Local Intf<br>----- | Hold-time<br>----- | Capability<br>----- | Port<br>----- |
|-----------------------------|---------------------|--------------------|---------------------|---------------|
| Total Entries Displayed : 0 |                     |                    |                     |               |

## iS5Comm# show lldp traffic

Total Frames Out : 19  
 Total Tagged Frames Out : 0  
 Total Entries Aged : 0  
 Total Frames In : 1  
 Total Frames Received In Error : 0  
 Total Frames Discarded : 0  
 Total TLVS Unrecognized : 0  
 Total TLVs Discarded : 0  
 Total PDU length error Drops : 0  
 Total LLDP-MED Frames Out : 0  
 Total LLDP-MED Frames In : 0  
 Total LLDP-MED Frames Discarded : 0  
 Total LLDP-MED TLVs Discarded : 1  
 Total Media Capability TLVs Discarded : 1  
 Total Network Policy TLVs Discarded : 0  
 Total Inventory TLVs Discarded : 0  
 Total Location TLVs Discarded : 0  
 Total Ex-PowerViaMDI TLVs Discarded : 0  
 Med-Capability TLV Discard Reason : Not Applicable  
 Nw-Policy TLV Discard Reason : Not Applicable  
 Inventory TLV Discard Reason : Not Applicable  
 Location-ID TLV Discard Reason : Not Applicable  
 Ex-PowerViaMDI TLV Discard Reason : Not Applicable

# PNAC

## 20. PNAC

*PNAC* (Port Based Network Access Control) is a portable implementation of the IEEE Std 802.1x *PNAC*.

The IEEE 802.1X standard defines a client-server-based access control and authentication protocol that prevents unauthorized clients from connecting to a *LAN* through publicly accessible ports unless they are properly authenticated. The authentication server authenticates each client connected to a port before making available any services offered by the device or the network.

Until the client is authenticated, IEEE 802.1X access control allows only Extensible Authentication Protocol over LAN (*EAPOL*) and Spanning Tree Protocol (*STP*) traffic through the port to which the client is connected. After authentication is successful, normal traffic can pass through the port.

When the command **aaa authentication dot1x default** is used to enable the dot1x local authentication or *RADIUS* server / *TACACS* + server (authentication server) based remote authentication method for all ports, the router initiates authentication

- when the link state changes from down to up, or
- periodically if the port remains up and unauthenticated.

When the device that requests access to *LAN* and a switch (supplicant) supplies its identity, the router begins its role as the intermediary, passing *EAP* frames between the supplicant and the authentication server until authentication succeeds or fails.

### 20.1. aaa authentication dot1x default

To configure the dot1x local authentication or *RADIUS* server / *TACACS*+ server-based remote authentication method for all ports, use the command **aaa authentication dot1x default** in Global Configuration Mode.

#### **aaa authentication dot1x default**

```
aaa authentication dot1x default {group {radius | tacacs+ | tacacsplus} | local}
```

## Parameters

| Parameter  | Type | Description                                                                                                                                                                                                              |
|------------|------|--------------------------------------------------------------------------------------------------------------------------------------------------------------------------------------------------------------------------|
| group      |      | Enter to configure server based authentication.                                                                                                                                                                          |
| radius     |      | Enter to configure RADIUS as the authentication server. RADIUS offers Authentication, Authorization and Accounting management for computers to access a network.                                                         |
| tacacs+    |      | Enter to configure TACACS+ as the authentication server. This feature has been included to adhere to the Industry Standard CLI syntax.                                                                                   |
| tacacsplus |      | Enter to configure TACACS+ as the remote authentication server. Tacacs offers Authentication, Authorization and Accounting management for computers to access a network. This is mainly used for backward compatibility. |
| local      |      | Enter to configure local authentication as authentication mode. It provides authentication based on user names and password using EAP-MD5 authentication mechanism.                                                      |

## Mode

Global Configuration Mode

## Default

local

## Examples

```
iS5Comm(config)# aaa authentication dot1x default group radius
```

## 20.2. dot1x

To set the *dot1x* Network Access Server (NAS) ID, use the command **dot1x** in Global Configuration Mode. The no form of the command resets the periodic sync timer and max alive count for distributed PNAC to their default values, deletes an entry from the *dot1x* authentication server database, and disables *dot1x* in the switch.

### dot1x

```
dot1x {distributed {max-keep-alive-count <short(0-300)> | periodic-sync-time
<short(1-5)>}>
| init {aa:aa:aa:aa:aa:aa | session-reauth aa:aa:aa:aa:aa:aa}
```

```
| init-session aa:aa:aa:aa:aa:aa
| local-database <username> password <string (20)> permission {allow |
deny} [auth-timeout <(value(1-7200))>] [interface {Extreme-Ethernet <inter-
face-id> | gigabitethernet <interface-id>}]
| mode {centralized | distributed}
| system-auth-control}
```

**no dot1x**

```
no dot1x {distributed | local-database | system-auth-control}
```

## Parameters

| Parameter            | Type    | Description                                                                                                                                                                                                                                                                                                                                                                                                                                                                                                                                                                                        |
|----------------------|---------|----------------------------------------------------------------------------------------------------------------------------------------------------------------------------------------------------------------------------------------------------------------------------------------------------------------------------------------------------------------------------------------------------------------------------------------------------------------------------------------------------------------------------------------------------------------------------------------------------|
| distributed          |         | Enter to configure periodic sync timer and max alive count for distributed PNAC (D-PNAC).                                                                                                                                                                                                                                                                                                                                                                                                                                                                                                          |
| periodic-sync-time   |         | Enter to configure the D-PNAC sync timer used in distributed -PNAC. The Periodic sync timer is used to configure the transmission interval of D-PNAC periodic-sync PDUs. In the master node, this timer expiry is used to identify the slave down and remove the slave node information.<br><b>NOTE:</b> The configured value of this timer is applicable only from the next start/re-start of the timer.<br><b>NOTE:</b> If the configured value is '0', then no periodic-sync messages will be sent from that D-PNAC node.                                                                       |
| <short<0-300>>       | Integer | Enter a value for the periodic sync timer. This runs individually in each D-PNAC node, and the value ranges from 0 to 300 seconds.                                                                                                                                                                                                                                                                                                                                                                                                                                                                 |
| max-keep-alive-count |         | Enter to configure keep alive mechanism when distributed-PNAC status is enabled. This is maintained by Master Node.<br><b>NOTE:</b> The keep alive count of all remote D-PNAC nodes is incremented every time when the periodic-sync timer expires.<br><b>NOTE:</b> The value resets to zero for a particular D-PNAC node, only on receiving periodic-sync/ event-update message from that particular remote D-PNAC node.<br><b>NOTE:</b> If keep alive count of any of the Remote D-PNAC node reaches the maximum keep alive count, the Remote D-PNAC node is declared as operationally down/dead |
| <short<1-5>>         | String  | Enter a value for the keep alive count. The value ranges from 1 to 5.                                                                                                                                                                                                                                                                                                                                                                                                                                                                                                                              |
| init                 |         | Enter to initiate dot1x re-authentication session for the specified MAC address. When the supplicant has exceeded the time limit for accessing the protected network, the supplicant is forced for re-authentication. This is to ensure that the supplicant is the same entity that was initially authenticated.<br><b>NOTE:</b> On execution of this command, the authenticator initiates re-authentication for the specified supplicant MAC address.                                                                                                                                             |
| aa:aa:aa:aa:aa:aa    |         | Enter a MAC address of the supplicant.                                                                                                                                                                                                                                                                                                                                                                                                                                                                                                                                                             |
| session-reaut        |         | Enter to configure Reauthentication session initiation.                                                                                                                                                                                                                                                                                                                                                                                                                                                                                                                                            |

| Parameter                         | Type | Description                                                                                                                                                                                                                                                                                                                                                                                                                       |
|-----------------------------------|------|-----------------------------------------------------------------------------------------------------------------------------------------------------------------------------------------------------------------------------------------------------------------------------------------------------------------------------------------------------------------------------------------------------------------------------------|
| <code>init-session</code>         |      | Enter to initiate dot1x authentication session for the given MAC address of the supplicant. The supplicant requests for access to the protected network. It sends EAPOL (Extensible Authentication Protocol) frames to the authenticator. When the supplicant is authorized by the remote server, the session is initiated.<br><b>NOTE:</b> The supplicant MAC address must be authorized prior to the execution of this command. |
| <code>aa:aa:aa:aa:aa:aa</code>    |      | Enter a MAC address of the supplicant.                                                                                                                                                                                                                                                                                                                                                                                            |
| <code>local-database</code>       |      | Enter to configure dot1x authentication server local database with user name and password.                                                                                                                                                                                                                                                                                                                                        |
| <code>&lt;username&gt;</code>     |      | Enter an user name for the new entry in the database.                                                                                                                                                                                                                                                                                                                                                                             |
| <code>password</code>             |      | Enter to configure dot1x authentication server local database with user name and password.                                                                                                                                                                                                                                                                                                                                        |
| <code>&lt;string (20)&gt;</code>  |      | Enter a password for the user.                                                                                                                                                                                                                                                                                                                                                                                                    |
| <code>permission</code>           |      | Enter to configure the permission for access for the user on a set of ports.                                                                                                                                                                                                                                                                                                                                                      |
| <code>allow</code>                |      | Enter to provide the user with access.                                                                                                                                                                                                                                                                                                                                                                                            |
| <code>deny</code>                 |      | Enter to deny access to the user.                                                                                                                                                                                                                                                                                                                                                                                                 |
| <code>interface</code>            |      | Enter to configure the interface type for the specified interface.                                                                                                                                                                                                                                                                                                                                                                |
| <code>Gigabitethernet</code>      |      | Enter to configure gigabitethernet type of interface. Gigabitethernet is a version of LAN standard architecture that supports data transfer up to 1 Gigabit per second.                                                                                                                                                                                                                                                           |
| <code>&lt;interface-id&gt;</code> |      | Enter to configure a specific slot number / port number. The format is <code>&lt;0&gt;/&lt;1-28&gt;</code> without spaces between Slot Number/Port Number. For example, <code>0/1</code> .                                                                                                                                                                                                                                        |
| <code>Extreme-Ethernet</code>     |      | Enter to configure the Extreme-Ethernet type of interface. Extreme Ethernet is a version of Ethernet that supports data transfer up to 10 Gigabits per second and only full duplex links                                                                                                                                                                                                                                          |
| <code>&lt;interface-id&gt;</code> |      | Enter to configure a specific slot number / port number. The format is <code>&lt;0&gt;/&lt;1-28&gt;</code> without spaces between Slot Number/Port Number. For example, <code>0/1</code> .                                                                                                                                                                                                                                        |



| Parameter           | Type | Description                                                                                                                                                                                                                                                                                                                                                           |
|---------------------|------|-----------------------------------------------------------------------------------------------------------------------------------------------------------------------------------------------------------------------------------------------------------------------------------------------------------------------------------------------------------------------|
| mode                |      | Enter to set the PNAC (Port based Network Access Control) mode as centralized or distributed- PNAC feature in the system. D-PNAC comprises of Master and Slave functionality. It is an extension of PNAC which provides ability to extend the access control in the system working over a single card to multiple cards with each operating in a distributed fashion. |
| centralized         |      | Enter to configure PNAC.                                                                                                                                                                                                                                                                                                                                              |
| distributed         |      | Enter to configure distributed- PNAC.                                                                                                                                                                                                                                                                                                                                 |
| system-auth-control |      | Enter to enable dot1x in the switch. The dot1x is an authentication mechanism. It acts as mediator between the authentication server and the supplicant (client). If the client accesses the protected resources, it contacts the authenticator with EAPOL frames.                                                                                                    |

## Mode

Global Configuration Mode

## Default

dot1x is enabled

## Examples

```
iS5Comm(config)# dot1x distributed periodic-sync-time 300 max-keep-alive-count 2
```

```
iS5Comm(config)# dot1x mode distributed
```

```
iS5Comm(config) dot1x init session-reauth 00:1e:58:a7:f3:93
```

```
iS5Comm(config)# dot1x init-session 00:1e:58:a7:f3:93
```

```
iS5Comm(config)# dot1x local-database myUser password admin123 permission allow auth-timeout 6000
```

```
iS5Comm(config)# dot1x system-auth-control
```

## 20.3. dot1x

To clear *dot1x* statistics information, initialize the state machines, set up the environment for fresh authentication, and initiate re-authentication of all dot1x-enabled ports or the specified dot1x-enabled port, use the command **dot1x** in Privileged EXEC Mode.

**dot1x**

```
clear statistics [interface {Extreme-Ethernet <interface-id> | gigabiteth-
ernet <interface-id>}] [mac-statistics address <mac_addr>]

| initialize [interface {Extreme-Ethernet <interface-id> | gigabitethernet
<interface-id>}]

| re-authenticate [interface {Extreme-Ethernet <interface-id> | gigabiteth-
ernet <interface-id>}]
```

## Parameters

| Parameter                         | Type | Description                                                                                                                                                                                                                                                                                                                                                                                                                                                                                                                                                                                                                                                                                                                      |
|-----------------------------------|------|----------------------------------------------------------------------------------------------------------------------------------------------------------------------------------------------------------------------------------------------------------------------------------------------------------------------------------------------------------------------------------------------------------------------------------------------------------------------------------------------------------------------------------------------------------------------------------------------------------------------------------------------------------------------------------------------------------------------------------|
| <code>clear</code>                |      | Enter to start clearing statistics information for the switch or the specified interface.                                                                                                                                                                                                                                                                                                                                                                                                                                                                                                                                                                                                                                        |
| <code>statistics</code>           |      | Enter to configure statistics related configuration.                                                                                                                                                                                                                                                                                                                                                                                                                                                                                                                                                                                                                                                                             |
| <code>interface</code>            |      | Enter to configure the interface type for the specified interface.                                                                                                                                                                                                                                                                                                                                                                                                                                                                                                                                                                                                                                                               |
| <code>Gigabitethernet</code>      |      | Enter to configure Gigabit Ethernet type of interface. Gigabit Ethernet is a version of LAN standard architecture that supports data transfer up to 1 Gigabit per second.                                                                                                                                                                                                                                                                                                                                                                                                                                                                                                                                                        |
| <code>&lt;interface-id&gt;</code> |      | Enter to configure a specific slot number / port number. The format is <code>&lt;0&gt;/&lt;1-28&gt;</code> without spaces between Slot Number/Port Number. For example, <code>0/1</code> .                                                                                                                                                                                                                                                                                                                                                                                                                                                                                                                                       |
| <code>Extreme-Ethernet</code>     |      | Enter to configure the Extreme-Ethernet type of interface. Extreme Ethernet is a version of Ethernet that supports data transfer up to 10 Gbits per second and only full duplex links                                                                                                                                                                                                                                                                                                                                                                                                                                                                                                                                            |
| <code>&lt;interface-id&gt;</code> |      | Enter to configure a specific slot number / port number. The format is <code>&lt;0&gt;/&lt;1-28&gt;</code> without spaces between Slot Number/Port Number. For example, <code>0/1</code> .                                                                                                                                                                                                                                                                                                                                                                                                                                                                                                                                       |
| <code>mac-statistic</code>        |      | Enter to configure clearing dot1x MAC statistics information for all MAC sessions or the specified MAC address.                                                                                                                                                                                                                                                                                                                                                                                                                                                                                                                                                                                                                  |
| <code>address</code>              |      | Enter to configure specific MAC address for which the dot1x information will be cleared.                                                                                                                                                                                                                                                                                                                                                                                                                                                                                                                                                                                                                                         |
| <code>&lt;mac_addr&gt;</code>     |      | Enter a MAC address for which the dot1x information will be cleared.                                                                                                                                                                                                                                                                                                                                                                                                                                                                                                                                                                                                                                                             |
| <code>initialize</code>           |      | Enter to configure initializing of the state machines and setting up the environment for fresh authentication. This initiates re-authentication of all dot1x-enabled ports or the specified dot1x-enabled port. Re-authentication is manually configured if periodic re-authentication is not enabled. Re-authentication is requested by the authentication server from the supplicant to furnish the identity without waiting for the configured number of seconds (re-authperiod). If no interface is specified, re-authentication is initiated on all dot1x ports<br>This command is a standardized implementation of the existing command; <code>dot1x re-authenticate</code> . It operates similar to the existing command. |

| Parameter       | Type | Description                                                                                                                                                                                                                                                                                                                                                                                                                                                                                                                                                     |
|-----------------|------|-----------------------------------------------------------------------------------------------------------------------------------------------------------------------------------------------------------------------------------------------------------------------------------------------------------------------------------------------------------------------------------------------------------------------------------------------------------------------------------------------------------------------------------------------------------------|
| re-authenticate |      | Enter to configure initiating of re-authentication of all dot1x-enabled ports or the specified dot1x-enabled port. This initializes the state machines and sets up the environment for fresh authentication. Re-authentication is manually configured if periodic re-authentication is not enabled. Re-authentication is requested by the authentication server to the supplicant to furnish the identity without waiting for the configured number of seconds (re-authperiod). If no interface is specified, re-authentication is initiated on all dot1x ports |

## Mode

Privileged EXEC Mode

## Default

dot1x is enabled

## Examples

```
iS5Comm# dot1x clear statistics
```

```
Interface and MAC Statistics cleared successfully
```

```
iS5Comm# dot1x clear statistics interface gigabitethernet 0/1
```

```
Interface Statistics cleared successfully
```

```
iS5Comm# dot1x clear statistics mac-statistics address 00:1e:58:a7:f3:93
```

```
MAC Statistics cleared successfully
```

```
iS5Comm# dot1x re-authenticate interface gigabitethernet 0/1
```

```
iS5Comm# dot1x initialize interface gigabitethernet 0/1
```

## 20.4. dot1x

To set the *PNAC* related information or configure the *dot1x* parameters for a specified port, use the command **dot1x** in Interface Configuration Mode. The no form of the command resets the parameters to their default value or to no authentication, and disables periodic re-authentication from authenticator to client.

### dot1x

```
dot1x {access-control {active | inactive}
| auth-mode {port-based | mac-based}}
```

```
| control-direction {in | both}
| default
| disable
| enable
| host-mode {multi-host | single-host}
| max-req <count(1-10)>
| max-start <count (1-65535)>
| port-control {auto | force-authorized} | force-unauthorized}
| reauth-max <count(1-10)>
| reauthentication
| timeout {auth-period | held-period | quiet-period | reauth-period |
server-timeout | start-period | supp-timeout | tx-period} <value (1-65535)>
```

**no dot1x**

```
no dot1x {access-control | auth-mode | control-direction | max-req |
max-start | port-control | reauth-max | reauthentication | timeout
```

## Parameters

| Parameter                   | Type | Description                                                                                                                                                                                                                                                                                                                                                                                                                                                                                                                                                                                                                                                                                                                                                                                                         |
|-----------------------------|------|---------------------------------------------------------------------------------------------------------------------------------------------------------------------------------------------------------------------------------------------------------------------------------------------------------------------------------------------------------------------------------------------------------------------------------------------------------------------------------------------------------------------------------------------------------------------------------------------------------------------------------------------------------------------------------------------------------------------------------------------------------------------------------------------------------------------|
| <code>access-control</code> |      | Enter to configure the supplicant access control. This setting is for the application of the Supplicant authorization state when the port is operating as both Supplicant and Authenticator.                                                                                                                                                                                                                                                                                                                                                                                                                                                                                                                                                                                                                        |
| <code>active</code>         |      | Enter to configure the port to apply both the Supplicant authorization state and Authenticator authorization state                                                                                                                                                                                                                                                                                                                                                                                                                                                                                                                                                                                                                                                                                                  |
| <code>inactive</code>       |      | Enter to configure the port to use only the Authenticator authorization state to restrict access to the port and not the Supplicant authorization state. This is the default option                                                                                                                                                                                                                                                                                                                                                                                                                                                                                                                                                                                                                                 |
| <code>auth-mode</code>      |      | Enter to configure the authentication mode of a port as either port-based (which is also known as multi-host) or mac-based (which is also known as single-host). Port based authentication has different modes of authentication. MAC based authentication allows secured mac addresses to pass through the port. Non-secure MAC addresses are dropped.                                                                                                                                                                                                                                                                                                                                                                                                                                                             |
| <code>port-based</code>     |      | Enter to configure the port's authentication mode as port-based. The port authenticates the host to use the restricted resource. The port state is changed to authorize. The traffic flows through the port without any access restriction till any event that causes the port state to become unauthorized. This is default option.                                                                                                                                                                                                                                                                                                                                                                                                                                                                                |
| <code>mac-based</code>      |      | <p>Enter to configure the port's authentication mode as MAC-based. Upon receiving tagged/untagged data/control frames from the CFA Module, it checks if the source MAC is present in the Authenticator Session Table and if it is authorized.</p> <ul style="list-style-type: none"> <li>• If it is present in the table and is authorized, the result is passed to CFA, which then forwards the frame to the appropriate destination module.</li> <li>• If it is present in the table but not authorized, the CFA Module is intimated and the frame is dropped at the CFA Module.</li> <li>• If neither of the above occurs, the Authenticator will initiate a new authentication session for that source MAC address and return the unauthorized status to the CFA Module, which then drops the frame.</li> </ul> |

| Parameter         | Type | Description                                                                                                                                                                                                                                                                                                                                                                                                                                                                                                             |
|-------------------|------|-------------------------------------------------------------------------------------------------------------------------------------------------------------------------------------------------------------------------------------------------------------------------------------------------------------------------------------------------------------------------------------------------------------------------------------------------------------------------------------------------------------------------|
| control-direction |      | Enter to configure configures port control direction. The switch port authenticates incoming packets and outgoing packets. The direction can be configured manually by selecting either in or both.                                                                                                                                                                                                                                                                                                                     |
| in                |      | Enter to configure the port to authenticate only the incoming packets.                                                                                                                                                                                                                                                                                                                                                                                                                                                  |
| both              |      | Enter to configure the port to authenticate both incoming and outgoing packets. This is the default option.                                                                                                                                                                                                                                                                                                                                                                                                             |
| default           |      | Enter to configure dot1x with default values for this port. The previous configurations on this port are reset to the default values. These details are not displayed but are the basic settings for a port.                                                                                                                                                                                                                                                                                                            |
| disable           |      | Enter to disable dot1x on the specified port.                                                                                                                                                                                                                                                                                                                                                                                                                                                                           |
| enable            |      | Enter to enable dot1x on the specified port.                                                                                                                                                                                                                                                                                                                                                                                                                                                                            |
| host-mode         |      | Enter to configure the port authentication mode of a port as either multi-host (which is also known as port-based) or single-host (which is also known as mac-based). Multi host authentication has different Modes of authentication. Single host authentication allows secured mac addresses to pass through the port. Non-secure mac addresses are dropped. <b>NOTE:</b> <i>This command is a standardized implementation of the existing command; dot1x auth-mode. It operates similar to the existing command.</i> |
| multi-host        |      | Enter to configure the port to multi host authentication mode and perform port-based authentication. With this option, more than one host can be connected to the port using an Ethernet hub attached to the port. This is the default option.                                                                                                                                                                                                                                                                          |
| single-host       |      | Enter to configure the port to single host authentication Mode and perform MAC-based authentication. With this option, only one host can be connected to the port.<br><b>NOTE:</b> To configure the auth Mode of a port as single-host, port control of the port must be set as auto.                                                                                                                                                                                                                                   |
| max-req           |      | Enter to set the maximum number of EAP (Extensible Authentication Protocol) retries to the client by the authenticator before restarting authentication process.                                                                                                                                                                                                                                                                                                                                                        |

| Parameter          | Type    | Description                                                                                                                                                                                                                                                                                                                                                                                                                                                                                                                                                                              |
|--------------------|---------|------------------------------------------------------------------------------------------------------------------------------------------------------------------------------------------------------------------------------------------------------------------------------------------------------------------------------------------------------------------------------------------------------------------------------------------------------------------------------------------------------------------------------------------------------------------------------------------|
| <count (1-10)>     | Integer | Enter a value for maximum number of EAP retries to the client by the authenticator before restarting authentication process. The count value ranges between 1 and 10. The default is 2.                                                                                                                                                                                                                                                                                                                                                                                                  |
| max-start          |         | Enter to set the maximum number of EAPOL retries to the authenticator.                                                                                                                                                                                                                                                                                                                                                                                                                                                                                                                   |
| <count (1-65535)>  | Integer | Enter a value for maximum number of EAP retries to the authenticator. The count value ranges between 1 and 65535. The default is 3.                                                                                                                                                                                                                                                                                                                                                                                                                                                      |
| port-control       |         | Enter to configure the authenticator port control parameter. The dot1x exercises port based authentication to increase the security of the network. The different modes employed to the ports offer varied access levels. The 802.1x protocol is supported on both Layer 2 static-access ports and Layer 3 routed ports.                                                                                                                                                                                                                                                                 |
| auto               |         | Enter to configure the 802.1x authentication process in this port. Causes the port to begin the unauthorized state, allowing only EAPOL frames to be sent and received through the port. The authentication process begins when the link state of the port transitions from down to up or when an EAPOL-start frame is received. The switch requests the identity of the client and begins relaying authentication messages between the client and the authentication server. The switch can uniquely identify each client attempting to access the network by the client's MAC address. |
| force-authorized   |         | Enter to configure the port to allow all traffic through this port. Disables 802.1x authentication and causes the port to transit to the authorized state without requiring authentication exchange. The port transmits and receives normal traffic without 802.1x-based authentication of the client. This is the default option.                                                                                                                                                                                                                                                       |
| force-unauthorized |         | Enter to configure the port to block all traffic through this port. Causes the port to remain in the unauthorized state, ignoring all attempts by the client to authenticate. The switch cannot provide authentication services to the client through the interface.                                                                                                                                                                                                                                                                                                                     |



| Parameter        | Type    | Description                                                                                                                                                                                                                                                                                                                                                                                |
|------------------|---------|--------------------------------------------------------------------------------------------------------------------------------------------------------------------------------------------------------------------------------------------------------------------------------------------------------------------------------------------------------------------------------------------|
| reauth-max       |         | Enter to configure the maximum number of EAP retries to the client. This variable can be tuned to make the port as unauthorized if the supplicant is not available when re-authentication reaches the maximum retry. Lower the value, the port is made unauthorized sooner.                                                                                                                |
| <count (1-10)>   | Integer | Enter a value for maximum number of EAP retries to the client. The count value ranges between 1 and 10. The default is 2.                                                                                                                                                                                                                                                                  |
| reauthentication |         | Enter to enable periodic re-authentication from authenticator to client. The periodic re-authentication is requested to ensure if the same supplicant is accessing the protected resources. The amount of time between periodic re-authentication attempts can be configured manually.<br><b>NOTE:</b> This command will execute only if the authenticator port control parameter is auto. |
| timeout          |         | Enter to set the dot1x timers. The timer module manages timers, creates memory pool for timers, creates timer list, starts and stops timer. It provides handlers to respective expired timers.<br><b>NOTE:</b> Only one timer can be configured using this command, that is, the user can configure either the quiet-period or tx-period, but not both.                                    |
| auth-period      |         | Enter to configure the number of seconds that the supplicant waits before timing-out the authenticator. The default is 30 seconds.                                                                                                                                                                                                                                                         |
| held-period      |         | Enter to configure the number of seconds that the supplicant waits before trying to acquire the authenticator. The default is 60 seconds.                                                                                                                                                                                                                                                  |
| quiet-period     |         | Enter to configure the quiet-period or the number of seconds that the switch remains in the quiet state following a failed authentication exchange with the client. The default is 60 seconds.                                                                                                                                                                                             |
| reauth-period    |         | Enter to configure the reauth-period or the number of seconds between re-authentication attempts. The default is 3600 seconds.                                                                                                                                                                                                                                                             |
| server-timeout   |         | Enter to configure the number of seconds that the switch waits for the retransmission of packets to the authentication server. The default is 30 seconds.                                                                                                                                                                                                                                  |

| Parameter               | Type    | Description                                                                                                                                                                                   |
|-------------------------|---------|-----------------------------------------------------------------------------------------------------------------------------------------------------------------------------------------------|
| start-period            |         | Enter to configure the number of seconds that the supplicant waits between successive retries to the authenticator. The default is 30 seconds.                                                |
| supp-timeout            |         | Enter to configure the time that the switch waits for the retransmission of packets to the client. The default is 30 seconds.                                                                 |
| tx-period               |         | Enter to configure the number of seconds that the switch waits for a response to an EAP-request/identity frame, from the client before retransmitting the request. The default is 30 seconds. |
| <count<br>( (1-65535) > | Integer | Enter a value for maximum number of EAP retries to the client. The count value ranges between 1 and 65535.                                                                                    |

## Mode

Interface Configuration Mode

## Examples

```
iS5Comm (config-if)# dot1x access-control active
```

```
iS5Comm (config-if)# dot1x auth-mode mac-based
```

```
iS5Comm(config-if)# dot1x control-direction in
```

```
iS5Comm(config-if)# dot1x default
```

Setting the Default Configuration for Dot1x on this interface

```
iS5Comm(config-if)# dot1x disable
```

```
iS5Comm(config-if)# dot1x enable
```

```
iS5Comm(config-if)# dot1x host-mode single-host
```

```
iS5Comm(config-if)# dot1x max-req 5
```

```
iS5Comm(config-if)# dot1x max-start 2
```

```
iS5Comm(config-if)# dot1x port-control auto
```

```
iS5Comm(config-if)# dot1x reauth-max 5
```

```
iS5Comm(config-if)# dot1x reauthentication
```

```
iS5Comm(config-if)# dot1x timeout quiet-period 30
```

## 20.5. debug dot1x

To enable debugging of *dot1x* module, use the command **debug dot1x** in Privileged EXEC Mode. The **no** form of the command disables debugging of *dot1x* module.

### debug dot1x

```
debug dot1x {all | errors | events | packets | redundancy | registry |
state-machine}
```

### no debug dot1x

```
no debug dot1x {all | errors | events | packets | redundancy | registry |
state-machine}
```

### Parameters

| Parameter     | Type | Description                                                                                                                                                                      |
|---------------|------|----------------------------------------------------------------------------------------------------------------------------------------------------------------------------------|
| all           |      | Enter to configure generating of all dot1x debug messages.                                                                                                                       |
| errors        |      | Enter to configure generating of debug statements for all failure traces of the below mentioned traces.                                                                          |
| events        |      | Enter to configure generating of debug statements for event handling traces. This trace is generated when there is a failure in state machine or event processing.               |
| packets       |      | Enter to configure generating of debug statements for packets handling traces. This trace is generated when there is an error condition in transmission or reception of packets. |
| redundancy    |      | Enter to configure generating of debug statements for redundancy code flow traces. This trace is generated when there is a failure in redundancy processing.                     |
| registry      |      | Enter to configure generating of debug statements for dot1x registry debug traces.                                                                                               |
| state-machine |      | Enter to configure generating of debug statements for state machine handling traces. This trace is generated when there is an error condition in State Machine.                  |

### Mode

Privileged EXEC Mode

## Default

Events Debugging is enabled

## Examples

```
iS5Comm# debug dot1x all
```

## 20.6. show dot1x

To display *dot1x* information, distributed *dot1x* authentication status and statistics information for the *dot1x* enabled ports, or distributed *dot1x* general information such as PNAC status, role played, periodic synchronous time, and maximum keep alive count, use the command **show dot1x** in Privileged EXEC Mode.

### show dot1x

```
show dot1x [all]

[distributed {auth-status slot <slot number (0-2147483647)> | detail |
statistics slot <slot number (0-2147483647)>}]

[interface {Extreme-Ethernet <interface-id> | gigabitethernet <inter-
face-id>}]

[local-database]

[mac-info address <mac_addr (aa:bb:cc:dd:ee:ff)>]

[mac-statistics address <mac_addr (aa:bb:cc:dd:ee:ff)>]

[statistics [interface {Extreme-Ethernet <interface-id> | gigabitethernet
<interface-id>}]

[supplicant-statistics [interface {Extreme-Ethernet <interface-id> | giga-
bitethernet <interface-id>}]
```

## Parameters

| Parameter                       | Type    | Description                                                                                                                                                                                           |
|---------------------------------|---------|-------------------------------------------------------------------------------------------------------------------------------------------------------------------------------------------------------|
| distributed                     |         | Enter to display distributed dot1x authentication status and statistics information for the dot1x enabled port.                                                                                       |
| auth-status                     |         | Enter to display the authentication status of each port belonging to the slot.                                                                                                                        |
| slot                            |         | Enter to identify the slot identifier related information to be displayed.                                                                                                                            |
| <slot number<br>(0-2147483647)> | Integer | Enter a slot identifier to be displayed. The range is from 0 to 2147483647.                                                                                                                           |
| detail                          |         | Enter to display Gigabit Ethernet type of interface. Gigabit Ethernet is a version of LAN standard architecture that supports data transfer up to 1 Gigabit per second.                               |
| statistics                      |         | Enter to display a specific slot number / port number. The format is <0>/<1-28> without spaces between Slot Number/Port Number. For example, 0/1.                                                     |
| slot                            |         | Enter to identify the slot identifier related information to be displayed.                                                                                                                            |
| <slot number<br>(0-2147483647)> | Integer | Enter a slot identifier to be displayed. The range is from 0 to 2147483647.                                                                                                                           |
| interface                       |         | Enter to display the dot1x parameters for the specified interface.                                                                                                                                    |
| Extreme-Ethernet                |         | Enter to configure the Extreme-Ethernet type of interface to be displayed. Extreme Ethernet is a version of Ethernet that supports data transfer up to 10 Gbits per second and only full duplex links |
| <interface-id>                  |         | Enter to configure a specific slot number / port number to be displayed. The format is <0>/<1-28> without spaces between Slot Number/Port Number. For example, 0/1.                                   |
| GigabitEthernet                 |         | Enter to configure Gigabit Ethernet type of interface to be displayed. Gigabit Ethernet is a version of LAN standard architecture that supports data transfer up to 1 Gbit per second.                |
| <interface-id>                  |         | Enter to configure a specific slot number / port number to be displayed. The format is <0>/<1-28> without spaces between Slot Number/Port Number. For example, 0/1.                                   |
| mac-info                        |         | Enter to display dot1x information for all MAC sessions or the specified MAC address.                                                                                                                 |

| Parameter             | Type | Description                                                                                                                                                                                               |
|-----------------------|------|-----------------------------------------------------------------------------------------------------------------------------------------------------------------------------------------------------------|
| address               |      | Enter to configure having specific MAC address displayed.                                                                                                                                                 |
| <mac_addr>            |      | Enter a MAC address for which the dot1x information will be displayed. The format is aa.aa.aa.aa.aa.aa.                                                                                                   |
| mac-statistics        |      | Enter to display dot1x MAC statistic for all MAC session or the specified MAC address.                                                                                                                    |
| address               |      | Enter to configure having specific MAC address displayed.                                                                                                                                                 |
| <mac_addr>            |      | Enter a MAC address for which the dot1x information will be displayed. The format is aa.aa.aa.aa.aa.aa.                                                                                                   |
| statistics            |      | Enter to display dot1x authenticator port statistics parameters for the switch or the specified interface.                                                                                                |
| interface             |      | Enter to display the dot1x parameters for the specified interface.                                                                                                                                        |
| Extreme-Ethernet      |      | Enter to configure the Extreme-Ethernet type of interface to be displayed. Extreme Ethernet is a version of Ethernet that supports data transfer up to 10 Gigabits per second and only full duplex links. |
| <interface-id>        |      | Enter to configure a specific slot number / port number to be displayed. The format is <0>/<1-28> without spaces between Slot Number/Port Number. For example, 0/1.                                       |
| Gigabitethernet       |      | Enter to configure Gigabit Ethernet type of interface to be displayed. Gigabit Ethernet is a version of LAN standard architecture that supports data transfer up to 1 Gbit per second.                    |
| <interface-id>        |      | Enter to configure a specific slot number / port number to be displayed. The format is <0>/<1-28> without spaces between Slot Number/Port Number. For example, 0/1.                                       |
| supplicant-statistics |      | Enter to display dot1x supplicant statistics parameters for the switch or the specified interface.                                                                                                        |
| interface             |      | Enter to display the dot1x parameters for the specified interface.                                                                                                                                        |
| Extreme-Ethernet      |      | Enter to configure the Extreme-Ethernet type of interface to be displayed. Extreme Ethernet is a version of Ethernet that supports data transfer up to 10 Gigabits per second and only full duplex links  |
| <interface-id>        |      | Enter to configure a specific slot number / port number to be displayed. The format is <0>/<1-28> without spaces between Slot Number/Port Number. For example, 0/1.                                       |

| Parameter       | Type | Description                                                                                                                                                                            |
|-----------------|------|----------------------------------------------------------------------------------------------------------------------------------------------------------------------------------------|
| Gigabitethernet |      | Enter to configure Gigabit Ethernet type of interface to be displayed. Gigabit Ethernet is a version of LAN standard architecture that supports data transfer up to 1 Gbit per second. |
| <interface-id>  |      | Enter to configure a specific slot number / port number to be displayed. The format is <0>/<1-28> without spaces between Slot Number/Port Number. For example, 0/1.                    |

## Mode

Privileged EXEC Mode

## Default

dot1x is enabled

## Examples

i5Comm# show dot1x

```

Sysauthcontrol = Enabled
Module Oper Status = Enabled
Dot1x Protocol Version = 2
Dot1x Authentication Method = Radius
Nas ID = Identifier

```

i5Comm# show dot1x local-database

```
PNAC Authentication Users Database
```

i5Comm# show dot1x all (only Gi0/1 shown)

```

Dot1x Info for Gi0/1-----
AuthMode = PORT-BASED
AuthPaeStatus = ENABLED
PortStatus = AUTHORIZED
AccessControl = INACTIVE
AuthSM State = INITIALIZE
SuppSM State = DISCONNECTED
BendSM State = INITIALIZE
AuthPortStatus = AUTHORIZED
SuppPortStatus = UNAUTHORIZED
AdminControlDirection = BOTH
OperControlDirection = BOTH

```

```

MaxReq = 2
ReAuthMax = 2
Port Control = Force Authorized
QuietPeriod = 60 Seconds
Re-authentication = Disabled
ReAuthPeriod = 3600 Seconds
ServerTimeout = 30 Seconds
SuppTimeout = 30 Seconds
Tx Period = 30 Second

```

### iS5Comm# show dot1x distributed auth-status

```
DPNAC Authentication Information: Slot 0
```

```

 Port Authentication Control
Port Property Status Direction
----- -
Gi0/1 Local Authorized BOTH

```

```
DPNAC Authentication Information: Slot 1
```

```

 Port Authentication Control
Port Property Status Direction
----- -
Gi1/1 Remote Authorized BOTH

```

### iS5Comm # show dot1x distributed detail

```
DPNAC Detail information
```

```

PNAC Status : Centralized
Role-Played : None
Periodic Sync-Timer : 300 Seconds
Maximum Keep Alive Count : 2

```

## 20.7. set nas-id

To set the *dot1x* Network Access Server (NAS) ID, use the command **set nas-id** in Global Configuration Mode.

### set nas-id

```
set nas-id <identifier>
```



## Parameters

| Parameter    | Type   | Description                                                                                                                                                                       |
|--------------|--------|-----------------------------------------------------------------------------------------------------------------------------------------------------------------------------------|
| <identifier> | String | Enter a value for dot1x network access server (NAS) ID. The NAS ID is set in the RADIUS packets sent to the Remote Authentication Server. The maximum length of the string is 16. |

## Mode

Global Configuration Mode

## Default

fsNas1

## Prerequisites

NAS ID can be configured only if the remote authentication server is RADIUS or TACACS.

## Examples

```
iS5Comm(config)# set nas-id Identifier
```

# VLAN

## 21. VLAN

*VLANs* (Virtual LANs) can be viewed as a group of devices on different physical *LAN* segments that can communicate with each other as if they were all on the same physical *LAN* segment. That is, in *VLAN*, a network of computers behave as if they are connected to the same wire even though they may actually be physically located on different segments of a *LAN*. *VLANs* are configured through software rather than hardware, and that make them extremely flexible.

*VLAN* provides the following benefits for switched *LANs*:

- Improved administration efficiency
- Optimized broadcast/multicast activity
- Enhanced network security

The prompt for the Config *VLAN* mode is:

```
iS5Comm(config-vlan)#
```

### 21.1. base

To configure the base mode as *802.1Q VLAN*-aware bridge mode in which the *VLAN* feature should operate on the switch or set the bridge mode as transparent, use the command **base** in Global Configuration Mode. This configuration is globally applied on all ports of the switch.

**base**

```
base bridge-mode {dot1d-bridge dot1q-vlan}
```

## Parameters

| Parameter    | Type | Description                                              |
|--------------|------|----------------------------------------------------------|
| bridge-mode  |      | Enter for bridge mode related configuration.             |
| dot1d-bridge |      | Enter to configure the bridge mode as transparent.       |
| dot1q-vlan   |      | Enter to configure the bridge mode as VLAN-aware bridge. |

## Mode

Global Configuration Mode

## Default

dot1q-vlan (VLAN-aware bridging)

## Prerequisites

The VLAN mode can be configured, only if the VLAN switching feature is started and enabled in the switch.

## Examples

```
iS5Comm(config)# base bridge-mode dot1q-bridge
```

## 21.2. clear garp counters

To clear *GARP* counters for all ports on the switch, use the command **clear garp counters** in Global Configuration Mode.

### clear garp counters

```
clear garp counters {all | port <ifXtype> <ifnum>}
```

## Parameters

| Parameter | Type | Description                                                                                                                                                                                                                                                                                                                                                                                                                                                                                                                                                                                                                                                                                                                                                                            |
|-----------|------|----------------------------------------------------------------------------------------------------------------------------------------------------------------------------------------------------------------------------------------------------------------------------------------------------------------------------------------------------------------------------------------------------------------------------------------------------------------------------------------------------------------------------------------------------------------------------------------------------------------------------------------------------------------------------------------------------------------------------------------------------------------------------------------|
| all       |      | Enter to specify clearing all port information on the switch.                                                                                                                                                                                                                                                                                                                                                                                                                                                                                                                                                                                                                                                                                                                          |
| port      |      | Enter to configure the GARP counters port's details. The unicast packets received only on this specified port are processed.                                                                                                                                                                                                                                                                                                                                                                                                                                                                                                                                                                                                                                                           |
| <ifXtype> |      | Enter to set the type of interface. The interface can be: <ul style="list-style-type: none"> <li>• fastethernet – Officially referred to as 100BASE-T standard. This is a version of LAN standard architecture that supports data transfer up to 100 Megabits per second.</li> <li>• gigabitethernet – A version of LAN standard architecture that supports data transfer up to 1 Gigabit per second.</li> <li>• extreme-ethernet – A version of Ethernet that supports data transfer up to 10 Gigabits per second. This Ethernet supports only full duplex links.</li> <li>• internal-lan – Internal LAN created on a bridge per IEEE 802.1ap.</li> <li>• port-channel – Logical interface that represents an aggregator which contains several ports aggregated together.</li> </ul> |
| <ifnum>   |      | Enter to set the interface identifier. This is a unique value that represents the specific interface. This value is a combination of slot number and port number separated by a slash, for interface type other than internal-lan and port-channel. Only i-lan or port-channel ID is provided, for interface types internal-lan and port-channel.                                                                                                                                                                                                                                                                                                                                                                                                                                      |

## Examples

```
iS5Comm(config)# clear garp counters all
```

## 21.3. clear mac-address-table

To clear the dynamically learnt MAC Addresses, use the command **clear mac-address-table** in Global Configuration Mode.

### clear mac-address-table

```
clear mac-address-table {dynamic [interface {port-channel <port-channel-id
(1-65535)> | {Extreme-Ethernet <interface-id> | gigabitethernet <inter-
face-id>} [vlan <vlan_vfi_id>] | remote}
```

## Parameters

| Parameter                      | Type    | Description                                                                                                                                                                                            |
|--------------------------------|---------|--------------------------------------------------------------------------------------------------------------------------------------------------------------------------------------------------------|
| dynamic                        |         | Enter to clear dynamically learnt MAC Addresses.                                                                                                                                                       |
| interface                      |         | Enter to clear the FDB entries for the specified type of interface. The interface can be Extreme-Ethernet and GigabitEthernet.                                                                         |
| port-channel                   |         | Enter to clear the FDB entries for the specified port channel interface. Port-Channel are logical interfaces that represents an aggregator which contains several ports aggregated together.           |
| <port-channel-id<br>(1-65535)> | Integer | Enter a value to specify a port channel interface. This value ranges from 1 to 65535.                                                                                                                  |
| Extreme-Ethernet               |         | Enter to configure the Extreme-Ethernet type of interface to be cleared. Extreme Ethernet is a version of Ethernet that supports data transfer up to 10 Gigabits per second and only full duplex links |
| <interface-id>                 |         | Enter to configure a specific slot number / port number to be cleared. The format is <0>/<1-28> without spaces between Slot Number/Port Number. For example, 0/1.                                      |
| GigabitEthernet                |         | Enter to configure gigabitEthernet type of interface to be cleared. GigabitEthernet is a version of LAN standard architecture that supports data transfer up to 1 Gigabit per second.                  |
| <interface-id>                 |         | Enter to configure a specific slot number / port number to be cleared. The format is <0>/<1-28> without spaces between Slot Number/Port Number. For example, 0/1.                                      |
| vlan                           |         | Enter to clear the FDB entries for the specified VLAN / VFI ID.                                                                                                                                        |

| Parameter     | Type    | Description                                                                                                                                                                                                                                                                                                                                                                                                                                                                                                                                                                                                                                                                                                                                                                                                                                                                                                                                                                                                                                                                                                                                                                                                                                                                                                                                                                                                                                                        |
|---------------|---------|--------------------------------------------------------------------------------------------------------------------------------------------------------------------------------------------------------------------------------------------------------------------------------------------------------------------------------------------------------------------------------------------------------------------------------------------------------------------------------------------------------------------------------------------------------------------------------------------------------------------------------------------------------------------------------------------------------------------------------------------------------------------------------------------------------------------------------------------------------------------------------------------------------------------------------------------------------------------------------------------------------------------------------------------------------------------------------------------------------------------------------------------------------------------------------------------------------------------------------------------------------------------------------------------------------------------------------------------------------------------------------------------------------------------------------------------------------------------|
| <vlan_vfi_id> | Integer | <p>Enter a value for the interface identifier of the specified type of interface. This is a unique value that represents the specific interface. This value is a combination of slot number and port number separated by a slash, for interface type other than internal-lan and port-channel. Only i-lan ID is provided, for interface types i-lan.</p> <ul style="list-style-type: none"> <li>• &lt;vlan -id&gt; - VLAN ID is a unique value that represents the specific VLAN. This value ranges from 1 to 4094.</li> <li>• &lt;vfi-id&gt;. - VFI ID is a VLAN created in the system which contains Pseudo wires and Attachment Circuits as member ports . This creates a logical LAN for the VPLS service. This value ranges from 4096 to 65535.</li> </ul> <p><b>NOTE:</b> The VLAN ID 4095 is reserved and may be used to indicate a wildcard match for the VID in management operations or Filtering Database entries</p> <p><b>NOTE:</b> VFI IDs 4096 and 4097 are reserved identifiers used in MPLS PW.</p> <p><b>NOTE:</b> The theoretical maximum for the maximum number of VFI is 65535 but the actual number of VFI supported is a sizing constant. Based on this, the maximum number of VFI ID accepted in the management interface is restricted. For example if 100 VFIs are supported, the maximum number of VFI supported will be restricted to maximum number of VLANs + 100. An error message is displayed for any value beyond this range</p> |
| remote        |         | Enter to clear all remote FDB entries.                                                                                                                                                                                                                                                                                                                                                                                                                                                                                                                                                                                                                                                                                                                                                                                                                                                                                                                                                                                                                                                                                                                                                                                                                                                                                                                                                                                                                             |

## Mode

Global Configuration Mode

## Examples

```
iS5Comm(config)# clear mac-address-table dynamic
```

## 21.4. clear vlan statistics

To clear *VLAN* counters that maintain statistics information on a per *VLAN* basis, use the command **clear vlan statistics** in Global Configuration Mode. The counter is cleared for all available *VLANs* or for the

specified *VLAN*. The statistics information contains number of unicast, broadcast, and unknown unicast packets flooded.

### clear vlan statistics

```
clear vlan statistics [vlan <vlan_vfi_id>]
```

### Parameters

| Parameter     | Type    | Description                                                                                                                                                                                                                                                                                                                                                                                                                                                                                                                                                                                                                                                                                                                                                                                                                                                                                                                                                                                                                                                                                                                              |
|---------------|---------|------------------------------------------------------------------------------------------------------------------------------------------------------------------------------------------------------------------------------------------------------------------------------------------------------------------------------------------------------------------------------------------------------------------------------------------------------------------------------------------------------------------------------------------------------------------------------------------------------------------------------------------------------------------------------------------------------------------------------------------------------------------------------------------------------------------------------------------------------------------------------------------------------------------------------------------------------------------------------------------------------------------------------------------------------------------------------------------------------------------------------------------|
| vlan          |         | Enter to configure a VLAN / VFI ID.                                                                                                                                                                                                                                                                                                                                                                                                                                                                                                                                                                                                                                                                                                                                                                                                                                                                                                                                                                                                                                                                                                      |
| <vlan_vfi_id> | Integer | <p>Enter a value for VLAN or VFI ID:</p> <ul style="list-style-type: none"> <li>&lt;vlan -id&gt; - This is a unique value that represents the specific VLAN. This value ranges from 1 to 4094.</li> <li>&lt;vfi-id&gt;- VFI ID is a VLAN created in the system which contains Pseudo wires and Attachment Circuits as member ports. This creates a logical LAN for the VPLS service. This value ranges from 4096 to 65535</li> </ul> <p><b>NOTE:</b> The VLAN ID 4095 is reserved and may be used to indicate a wildcard match for the VID in management operations or Filtering Database entries</p> <p><b>NOTE:</b> VFI IDs 4096 and 4097 are reserved identifiers used in MPLS PW</p> <p><b>NOTE:</b> The theoretical maximum for the maximum number of VFI is 65535 but the actual number of VFI supported is a sizing constant. Based on this, the maximum number of VFI ID accepted in the management interface is restricted. For example, if 100 VFIs are supported, the maximum number of VFI supported will be restricted to maximum number of VLANs + 100. An error message is displayed for any value beyond this range.</p> |

### Mode

Global Configuration Mode

### Prerequisites

The information is the VLAN counters can be deleted, only if the VLAN switching feature is started and enabled in the switch.

### Examples

```
iS5Comm(config)# clear vlan statistics vlan 1
```

## 21.5. debug garp

To enable the tracing of the *GARP* sub module as per the configured debug levels, use the command **debug garp** in Privileged EXEC Mode. This command allows combination of debug levels to be configured (that is, more than one level of trace can be enabled or disabled). The **no** form of the command disables the tracing of the *GARP* sub module as per the configured debug levels. The trace statements are not generated for the configured trace levels.

### debug garp

```
debug garp {global | [{protocol | gmrp | gvrp | redundancy} [initshut]
[mgmt] [data] [ctpl] [dump] [os] [failall] [buffer] [all] [switch <context_name>]}
[<short (0-7)> | alerts | critical | debugging | emergencies |
errors | informational | notification | warnings]}
```

### no debug garp

```
no debug garp {global | [{protocol | gmrp | gvrp | redundancy} [initshut]
[mgmt] [data] [ctpl] [dump] [os] [failall] [buffer] [all] [switch <context_name>]}
```



## Parameters

| Parameter      | Type | Description                                                                                                                                                                                  |
|----------------|------|----------------------------------------------------------------------------------------------------------------------------------------------------------------------------------------------|
| global         |      | Enter to generate debug statements for all kinds of traces.                                                                                                                                  |
| protocol       |      | Enter to set the submodule as GARP module, for which the tracing is to be done as per the configured debug levels                                                                            |
| gmrp           |      | Enter to set the submodule as GMRP module, for which the tracing is to be done as per the configured debug levels.                                                                           |
| gvrp           |      | Enter to set the submodule as GVRP module, for which the tracing is to be done as per the configured debug levels                                                                            |
| redundancy     |      | Enter to set the submodule as GARP redundancy module, for which the tracing is to be done as per the configured debug levels                                                                 |
| initshut       |      | Enter to generate debug statements for init and shutdown traces. This trace is generated on failed initialization and shutting down of VLAN related entries.                                 |
| mgmt           |      | Enter to generate debug statements for management traces. This trace is generated during failure in configuration of any of the VLAN feature.                                                |
| data           |      | Enter to generate debug statements for data path traces. This trace is generated during failure in packet processing.                                                                        |
| ctpl           |      | Enter to generate debug statements for control path traces. This trace is generated during failure in modification or retrieving of VLAN entries.                                            |
| dump           |      | Enter to generate debug statements for packet dump traces. This trace is currently not used in GARP module                                                                                   |
| os             |      | Enter to generate debug statements for OS resource related traces. This trace is generated during failure in message queues.                                                                 |
| failall        |      | Enter to generate debug statements for all kind of failure traces.                                                                                                                           |
| buffer         |      | Enter to generate debug statements for GARP buffer related traces. This trace is currently not used in GARP module.                                                                          |
| all            |      | Enter to generate debug statements for all kinds of traces.                                                                                                                                  |
| switch         |      | Enter to configure the tracing of the GARP submodule for the specified context.                                                                                                              |
| <context_name> |      | Enter a value for context name. This value represents unique name of the switch context. This value is a string of maximum size 32. This parameter is specific to multiple instance feature. |

| Parameter     | Type | Description                                                                                     |
|---------------|------|-------------------------------------------------------------------------------------------------|
| <short (0-7)  |      | Enter to generate debug statements for the Severity level value. This value ranges from 0 to 7. |
| alerts        |      | Enter to generate debug statements for immediate action.                                        |
| critical      |      | Enter to generate debug statements for critical conditions.                                     |
| debugging     |      | Enter to generate debug statements for debugging messages.                                      |
| emergencies   |      | Enter to generate debug statements when system is unusable.                                     |
| errors        |      | Enter to generate debug statements for error conditions.                                        |
| informational |      | Enter to generate debug statements for information messages.                                    |
| notification  |      | Enter to generate debug statements for when normal but significant messages.                    |
| warnings      |      | Enter to generate debug statements for warning conditions.                                      |

## Mode

Privileged EXEC Mode

## Default

Tracing of the GARP sub module is disabled.

## Prerequisites

The GARP sub module tracing can be configured in the switch, only if the GARP module is started and enabled in the switch on all ports.

## Examples

```
iS5Comm# debug garp redundancy ctpl switch default debugging
GARP_TRC_LVL : 255, i4CliDebugLevel: 7
% GARP is disabled
```

## 21.6. debug vlan

To enable the tracing of the *VLAN* sub module as per the configured debug levels, use the command **debug vlan** in Privileged EXEC Mode. This command allows combination of debug levels to be configured (that is, more than one level of trace can be enabled or disabled). The no form of the command disables

the tracing of the *VLAN* sub module as per the configured debug levels. The trace statements are not generated for the configured trace levels.

**debug vlan**

```
debug vlan global [all-debug] [all-module] [buffer] [ctpl] [data] [dump]
[failall] [fwd] [initshut] [mgmt] [os] [priority] [redundancy] [switch
<context_name>]
```

**no debug vlan**

```
no debug vlan global [all-debug] [all-module] [buffer] [ctpl] [data] [dump]
[failall] [fwd] [initshut] [mgmt] [os] [priority] [redundancy] [switch
<context_name>]
```

## Parameters

| Parameter      | Type | Description                                                                                                                                                                                  |
|----------------|------|----------------------------------------------------------------------------------------------------------------------------------------------------------------------------------------------|
| global         |      | Enter to generate debug statements for Global-related traces.                                                                                                                                |
| all-debug      |      | Enter to generate debug statements for all kinds of traces.                                                                                                                                  |
| all-module     |      | Enter to generate debug statements for submodule such as VLAN Forwarding, Priority and Redundancy.                                                                                           |
| buffer         |      | Enter to generate debug statements for VLAN buffer related traces.                                                                                                                           |
| ctpl           |      | Enter to generate debug statements for control path traces. This trace is generated during failure in modification or retrieving of VLAN entries.                                            |
| data           |      | Enter to generate debug statements for data path traces. This trace is generated during failure in packet processing.                                                                        |
| dump           |      | Enter to generate debug statements for packet dump traces. This trace is currently not used in VLAN module.                                                                                  |
| failall        |      | Enter to generate debug statements for all kind of failure traces.                                                                                                                           |
| fwd            |      | Enter to generate debug statements for the VLAN forward module.                                                                                                                              |
| initshut       |      | Enter to generate debug statements for init and shutdown traces. This trace is generated on failed initialization and shutting down of VLAN related entries.                                 |
| mgmt           |      | Enter to generate debug statements for management traces. This trace is generated during failure in configuration of any of the VLAN feature.                                                |
| os             |      | Enter to generate debug statements for OS resource related traces. This trace is generated during failure in message queues.                                                                 |
| priority       |      | Enter to generate debug statements for VLAN priority module.                                                                                                                                 |
| redundancy     |      | Enter to generate debug statements for VLAN redundancy module.                                                                                                                               |
| switch         |      | Enter to configure the tracing of the VLAN submodule for the specified context.                                                                                                              |
| <context_name> |      | Enter a value for context name. This value represents unique name of the switch context. This value is a string of maximum size 32. This parameter is specific to multiple instance feature. |

## Mode

Privileged EXEC Mode

## Default

Tracing of the VLAN sub module is disabled.

## Prerequisites

The VLAN sub module tracing related configuration takes effect in the switch, only if the VLAN switching feature is started and enabled in the switch.

## Examples

```
iS5Comm# debug vlan fwd all-module switch default
 VLAN_TRC_LVL : 97
```

## 21.7. forward-all

To configure the forward-all port details for a *VLAN* to specify the ports that forward or do not forward all multicast group-addressed frames, use the command **forward-all** in *VLAN* Configuration Mode. The *VLAN* can also be activated using the `vlan active` command. The `no` form of the command deletes the forward-all port details for the *VLAN* and sets as none.

### forward-all

```
forward-all [static-ports ([<interface-type> <0/a-b,0/c,...>] ([<inter-
face-type> <0/a-b,0/c,...>] [ac <a,b,c-d>])] [port-channel <a,b,c-d>] [pw
<a,b,c-d>] [none]] [forbidden <interface-type> <0/a-b,0/c,...>] [<inter-
face-type> <0/a-b,0/c,...>] [port-channel <a,b,c-d>] [pw <a,b,c-d>] [ac
<a,b,c-d>]]
```

### no forward-all

```
no forward-all
```

## Parameters

| Parameter                                     | Type | Description                                                                                                                                                                                                                                                                                                                                                                                                                                                                                                                                                                                                                                                                                                                                                                                                                                                                                                 |
|-----------------------------------------------|------|-------------------------------------------------------------------------------------------------------------------------------------------------------------------------------------------------------------------------------------------------------------------------------------------------------------------------------------------------------------------------------------------------------------------------------------------------------------------------------------------------------------------------------------------------------------------------------------------------------------------------------------------------------------------------------------------------------------------------------------------------------------------------------------------------------------------------------------------------------------------------------------------------------------|
| <code>static-ports</code>                     |      | Enter to configure the ports to which all multicast group-addressed frames are to be forwarded. This configuration is restored once the switch is reset.                                                                                                                                                                                                                                                                                                                                                                                                                                                                                                                                                                                                                                                                                                                                                    |
| <code>&lt;interface-type<br/>&gt;</code>      |      | Enter to set the type of interface. The interface can be: <ul style="list-style-type: none"> <li>• <code>fastethernet</code> – Officially referred to as 100BASE-T standard. This is a version of LAN standard architecture that supports data transfer up to 100 Megabits per second.</li> <li>• <code>gigabitethernet</code> – A version of LAN standard architecture that supports data transfer up to 1 Gigabit per second.</li> <li>• <code>extreme-ethernet</code> – A version of Ethernet that supports data transfer up to 10 Gigabits per second. This Ethernet supports only full duplex links.</li> <li>• <code>internal-lan</code> - Internal LAN created on a bridge per IEEE 802.1ap.</li> <li>• <code>port-channel</code> – Logical interface that represents an aggregator which contains several ports aggregated together</li> <li>• <code>attachment circuit interface</code></li> </ul> |
| <code>&lt;0/a-b, 0/c,<br/>...&gt;</code>      |      | Enter to configure the list of port channel interfaces or a specific port channel identifier. This value is a combination of slot number and port number separated by a slash, for interface type other than <code>internal-lan</code> and <code>port-channel</code> . Only <code>i-lan</code> or <code>port-channel</code> ID is provided, for interface types <code>internal-lan</code> and <code>port-channel</code> . Use comma as a separator without space while configuring list of interfaces. Example: <code>0/1,0/3</code> or <code>1,3</code> .                                                                                                                                                                                                                                                                                                                                                  |
| <code>ac &lt;a,b, c-d&gt;</code>              |      | Enter to set the AC interface as a port that should never receive packets from the VLAN. This value ranges from 1 to 65535. Use comma as a separator without space while configuring list of interfaces. Example: <code>1,3</code> .                                                                                                                                                                                                                                                                                                                                                                                                                                                                                                                                                                                                                                                                        |
| <code>port-channel<br/>&lt;a,b,c-d&gt;</code> |      | Enter to set the list of port channel interfaces or a specific port channel identifier. Use comma as a separator without space while configuring list of interfaces. Example: <code>1,3</code>                                                                                                                                                                                                                                                                                                                                                                                                                                                                                                                                                                                                                                                                                                              |
| <code>pw &lt;a,b,c-d&gt;</code>               |      | Enter to set the Pseudo wire interface as member port. When the pseudo wire interface is mapped to a specific VLAN, the interface structures are created. This value ranges from 1 to 65535.<br><b>NOTE:</b> Maximum number of PseudoWire interfaces supported in the system is 100.                                                                                                                                                                                                                                                                                                                                                                                                                                                                                                                                                                                                                        |

| Parameter                 | Type | Description                                                                                                                                                                                                                                                                                                                                                                                                                                                                                                                                                                                                                                                                                                                                                                  |
|---------------------------|------|------------------------------------------------------------------------------------------------------------------------------------------------------------------------------------------------------------------------------------------------------------------------------------------------------------------------------------------------------------------------------------------------------------------------------------------------------------------------------------------------------------------------------------------------------------------------------------------------------------------------------------------------------------------------------------------------------------------------------------------------------------------------------|
| none                      |      | Enter to configure none of the ports as static forward-all ports for the VLAN.                                                                                                                                                                                                                                                                                                                                                                                                                                                                                                                                                                                                                                                                                               |
| forbidden                 |      | Enter to configure the ports for which GMRP should not dynamically register the service requirement attribute forward all multicast groups. This configuration is restored once the switch is reset.                                                                                                                                                                                                                                                                                                                                                                                                                                                                                                                                                                         |
| <interface-type<br>>      |      | Enter to set the type of interface. The interface can be: <ul style="list-style-type: none"> <li>• fastethernet – Officially referred to as 100BASE-T standard. This is a version of LAN standard architecture that supports data transfer up to 100 Megabits per second.</li> <li>• gigabitethernet – A version of LAN standard architecture that supports data transfer up to 1 Gigabit per second.</li> <li>• extreme-ethernet – A version of Ethernet that supports data transfer up to 10 Gigabits per second. This Ethernet supports only full duplex links.</li> <li>• xl-ethernet</li> <li>• port-channel – Logical interface that represents an aggregator which contains several ports aggregated together</li> <li>• attachment circuit interface (ac)</li> </ul> |
| <0/a-b, 0/c,<br>...>      |      | Enter to configure the list of port channel interfaces or a specific port channel identifier. Use comma as a separator without space while configuring list of interfaces. Example: 1,3.                                                                                                                                                                                                                                                                                                                                                                                                                                                                                                                                                                                     |
| port-channel<br><a,b,c-d> |      | Enter to set the list of port channel interfaces or a specific port channel identifier. Use comma as a separator without space while configuring list of interfaces. Example: 1,3.                                                                                                                                                                                                                                                                                                                                                                                                                                                                                                                                                                                           |
| pw <a,b,c-d>              |      | Enter to set the Pseudo wire interface as member port. When the pseudo wire interface is mapped to a specific VLAN, the interface structures are created. This value ranges from 1 to 65535.<br><b>NOTE:</b> Maximum number of PseudoWire interfaces supported in the system is 100.                                                                                                                                                                                                                                                                                                                                                                                                                                                                                         |
| ac <a,b, c-d>             |      | Enter to set the AC interface as a port that should never receive packets from the VLAN. This value ranges from 1 to 65535. Use comma as a separator without space while configuring list of interfaces. Example: 1,3.                                                                                                                                                                                                                                                                                                                                                                                                                                                                                                                                                       |

## Mode

### VLAN Configuration Mode

## Default

Both forward all static ports and forward-all forbidden ports are not set (that is, set as none) for the active VLANs.

## Prerequisites

The forward-all port details can be configured only in the VLANs that are activated

## Examples

```
iS5Comm(config-vlan)# forward-all static-ports gigabitethernet 0/1 forbidden-ports gigabitethernet 0/2
```

## 21.8. forward-unregistered

To configure the forward-unregistered port details for a *VLAN* to specify the ports that forward or do not forward multicast group-addresses frames for which no more specific forwarding information applies, use the command **forward-unregistered** in *VLAN* Configuration Mode. The *VLAN* can also be activated using the `vlan active` command. The `no` form of the command sets the forward-unregistered port details for all *VLAN* to default value.

### forward-unregistered

```
forward-unregistered [static-ports (<interface-type> <0/a-b,0/c,...>]
(<interface-type> <0/a-b,0/c,...>] [ac <a,b,c-d>]] [port-channel <a,b,c-d>]
[pw <a,b,c-d>] [none]] [forbidden <interface-type> <0/a-b,0/c,...>] [<inter-
face-type> <0/a-b,0/c,...>] [port-channel <a,b,c-d>] [pw <a,b,c-d>] [ac
<a,b,c-d>]]
```

### no forward-unregistered

```
no forward-unregistered
```



## Parameters

| Parameter                                     | Type | Description                                                                                                                                                                                                                                                                                                                                                                                                                                                                                                                                                                                                                                                                                                                                                                                                                   |
|-----------------------------------------------|------|-------------------------------------------------------------------------------------------------------------------------------------------------------------------------------------------------------------------------------------------------------------------------------------------------------------------------------------------------------------------------------------------------------------------------------------------------------------------------------------------------------------------------------------------------------------------------------------------------------------------------------------------------------------------------------------------------------------------------------------------------------------------------------------------------------------------------------|
| <code>static-ports</code>                     |      | Enter to configure the ports to which all multicast group-addressed frames are to be forwarded. This configuration is restored once the switch is reset.                                                                                                                                                                                                                                                                                                                                                                                                                                                                                                                                                                                                                                                                      |
| <code>&lt;interface-type<br/>&gt;</code>      |      | Enter to set the type of interface. The interface can be: <ul style="list-style-type: none"> <li>• fastethernet – Officially referred to as 100BASE-T standard. This is a version of LAN standard architecture that supports data transfer up to 100 Megabits per second.</li> <li>• gigabitethernet – A version of LAN standard architecture that supports data transfer up to 1 Gigabit per second.</li> <li>• extreme-ethernet – A version of Ethernet that supports data transfer up to 10 Gigabits per second. This Ethernet supports only full duplex links.</li> <li>• internal-lan - Internal LAN created on a bridge per IEEE 802.1ap.</li> <li>• port-channel – Logical interface that represents an aggregator which contains several ports aggregated together</li> <li>• attachment circuit interface</li> </ul> |
| <code>&lt;0/a-b, 0/c,<br/>...&gt;</code>      |      | Enter to configure the list of port channel interfaces or a specific port channel identifier. This value is a combination of slot number and port number separated by a slash, for interface type other than internal-lan and port-channel. Only i-lan or port-channel ID is provided, for interface types internal-lan and port-channel. Use comma as a separator without space while configuring list of interfaces. Example: 0/1,0/3 or 1,3.                                                                                                                                                                                                                                                                                                                                                                               |
| <code>ac &lt;a,b, c-d&gt;</code>              |      | Enter to set the AC interface as a port that should never receive packets from the VLAN. This value ranges from 1 to 65535. Use comma as a separator without space while configuring list of interfaces. Example: 1,3.                                                                                                                                                                                                                                                                                                                                                                                                                                                                                                                                                                                                        |
| <code>port-channel<br/>&lt;a,b,c-d&gt;</code> |      | Enter to set the list of port channel interfaces or a specific port channel identifier. Use comma as a separator without space while configuring list of interfaces. Example: 1,3                                                                                                                                                                                                                                                                                                                                                                                                                                                                                                                                                                                                                                             |
| <code>pw &lt;a,b,c-d&gt;</code>               |      | Enter to set the Pseudo wire interface as member port. When the pseudo wire interface is mapped to a specific VLAN, the interface structures are created. This value ranges from 1 to 65535.<br><b>NOTE:</b> Maximum number of PseudoWire interfaces supported in the system is 100.                                                                                                                                                                                                                                                                                                                                                                                                                                                                                                                                          |

| Parameter                 | Type | Description                                                                                                                                                                                                                                                                                                                                                                                                                                                                                                                                                                                                                                                                                                                                                                  |
|---------------------------|------|------------------------------------------------------------------------------------------------------------------------------------------------------------------------------------------------------------------------------------------------------------------------------------------------------------------------------------------------------------------------------------------------------------------------------------------------------------------------------------------------------------------------------------------------------------------------------------------------------------------------------------------------------------------------------------------------------------------------------------------------------------------------------|
| none                      |      | Enter to configure none of the ports as static forward-all ports for the VLAN.                                                                                                                                                                                                                                                                                                                                                                                                                                                                                                                                                                                                                                                                                               |
| forbidden                 |      | Enter to configure the ports for which GMRP should not dynamically register the service requirement attribute forward all multicast groups. This configuration is restored once the switch is reset.                                                                                                                                                                                                                                                                                                                                                                                                                                                                                                                                                                         |
| <interface-type<br>>      |      | Enter to set the type of interface. The interface can be: <ul style="list-style-type: none"> <li>• fastethernet – Officially referred to as 100BASE-T standard. This is a version of LAN standard architecture that supports data transfer up to 100 Megabits per second.</li> <li>• gigabitethernet – A version of LAN standard architecture that supports data transfer up to 1 Gigabit per second.</li> <li>• extreme-ethernet – A version of Ethernet that supports data transfer up to 10 Gigabits per second. This Ethernet supports only full duplex links.</li> <li>• xl-ethernet</li> <li>• port-channel – Logical interface that represents an aggregator which contains several ports aggregated together</li> <li>• attachment circuit interface (ac)</li> </ul> |
| <0/a-b, 0/c,<br>...>      |      | Enter to configure the list of port channel interfaces or a specific port channel identifier. Use comma as a separator without space while configuring list of interfaces. Example: 1,3.                                                                                                                                                                                                                                                                                                                                                                                                                                                                                                                                                                                     |
| port-channel<br><a,b,c-d> |      | Enter to set the list of port channel interfaces or a specific port channel identifier. Use comma as a separator without space while configuring list of interfaces. Example: 1,3.                                                                                                                                                                                                                                                                                                                                                                                                                                                                                                                                                                                           |
| pw <a,b,c-d>              |      | Enter to set the Pseudo wire interface as member port. When the pseudo wire interface is mapped to a specific VLAN, the interface structures are created. This value ranges from 1 to 65535.<br><b>NOTE:</b> Maximum number of PseudoWire interfaces supported in the system is 100.                                                                                                                                                                                                                                                                                                                                                                                                                                                                                         |
| ac <a,b, c-d>             |      | Enter to set the AC interface as a port that should never receive packets from the VLAN. This value ranges from 1 to 65535. Use comma as a separator without space while configuring list of interfaces. Example: 1,3.<br><b>NOTE:</b> Maximum number of PseudoWire interfaces supported in the system is 100.<br><b>NOTE:</b> The configured forward-unregistered forbidden ports should not be a member of the forward-unregistered static port.                                                                                                                                                                                                                                                                                                                           |

## Mode

VLAN Configuration Mode

## Default

- All the ports available in the switch are set as forward-unregistered static ports and forward-unregistered forbidden ports for the default VLAN (VLAN 1).
- Both forward-unregistered static ports and forward-unregistered forbidden ports are not set (that is, set as none) for the active VLANs other than the default VLAN (VLAN 1).

## Prerequisites

The forward-unregistered port details can be configured only in the VLANs that are activated

## Examples

```
iS5Comm(config-vlan)# forward-unregistered static-ports gigabitethernet 0/2 forbidden-ports gigabitethernet 0/1 pw 2
```

## 21.9. group restricted

To configure the restricted group registration feature in a port, use the command **group restricted** in Interface Configuration Mode. This feature enables you to restrict the multicast groups learnt through *GMRP* learning.

### **group restricted**

```
group restricted {disable | enable}
```

## Parameters

| Parameter | Type | Description                                                                                                                                                                                                                                                 |
|-----------|------|-------------------------------------------------------------------------------------------------------------------------------------------------------------------------------------------------------------------------------------------------------------|
| disable   |      | Enter to disable restricted group registration feature in the port. The GMRP packets are processed normally and the multicast group attribute/service requirement attribute are learnt dynamically even if they are not statically configured in the switch |
| enable    |      | Enter to enable restricted group registration feature in the port. The multicast group attribute / service requirement attribute is learnt dynamically from the GMRP frame only if the specific attribute is statically configured in the switch.           |

## Mode

Interface Configuration Mode

## Default

disable

## Prerequisites

The restricted group registration feature can be configured in the port, only if the GARP module is started and enabled in the switch.

## Examples

```
iS5Comm(config-if)# group restricted enable
```

## 21.10. interface range

To select the range of physical interfaces and *VLAN* interfaces to be configured, use the command **interface range** in Global Configuration Mode. The no form of the command selects the range of *VLAN* interfaces to be removed.

### interface range

```
interface range {<interface-type> <0/a-b,0/c,...> | vlan <vlan-id(1-4094)> - <vlan-id(1-4094)>}]}
```

### no interface range

```
no interface range vlan <vlan-id(1-4094)> - <vlan-id(1-4094)>}]}
```

## Parameters

| Parameter                            | Type    | Description                                                                                                                                                                                                                                                                                                                                                                                                                                                                                                                                                                   |
|--------------------------------------|---------|-------------------------------------------------------------------------------------------------------------------------------------------------------------------------------------------------------------------------------------------------------------------------------------------------------------------------------------------------------------------------------------------------------------------------------------------------------------------------------------------------------------------------------------------------------------------------------|
| <code>&lt;interface-type&gt;</code>  |         | Enter to set the type of interface. The interface can be: <ul style="list-style-type: none"> <li>• fastethernet – Officially referred to as 100BASE-T standard. This is a version of LAN standard architecture that supports data transfer up to 100 Megabits per second.</li> <li>• gigabitethernet – A version of LAN standard architecture that supports data transfer up to 1 Gigabit per second.</li> <li>• extreme-ethernet – A version of Ethernet that supports data transfer up to 10 Gigabits per second. This Ethernet supports only full duplex links.</li> </ul> |
| <code>&lt;slot/port-port&gt;</code>  |         | Enter to configure the range of the specified interface identifier. This is a unique value that represents the specific interface. This value is a combination of slot number and port number separated by a slash. An example is 0/1-2.                                                                                                                                                                                                                                                                                                                                      |
| <code>vlan</code>                    |         | Enter to select the range of the specified VLAN ID (the range of L2 and IVR interfaces to be configured). This is a unique value that represents the specific VLAN created and activated.                                                                                                                                                                                                                                                                                                                                                                                     |
| <code>&lt;vlan-id(1-4094)&gt;</code> | Integer | Enter a value for VLAN-ID start of range. This value ranges from 1 to 4094.<br><b>NOTE:</b> Maximum number of PseudoWire interfaces supported in the system is 100.                                                                                                                                                                                                                                                                                                                                                                                                           |
| <code>-</code>                       |         | Enter a hyphen in to separate both values in the range.<br><b>NOTE:</b> Space should be provided before and after the hyphen (i.e. the command interface range <code>vlan 1 – 4</code> is valid, whereas the command interface range <code>vlan 1– 4</code> is not valid.                                                                                                                                                                                                                                                                                                     |
| <code>&lt;vlan-id(1-4094)&gt;</code> | Integer | Enter a value for VLAN-ID start of range. This value ranges from 1 to 4094.<br><b>NOTE:</b> Maximum number of PseudoWire interfaces supported in the system is 100.                                                                                                                                                                                                                                                                                                                                                                                                           |

## Mode

Global Configuration Mode

## Default

default

## Prerequisites

For port channel range, the specified range must be configured using the interface command.

## Examples

```
iS5Comm(config)# interface range gigabitethernet 0/1-2
iS5Comm(config-if-range)#
iS5Comm(config)# interface range vlan 1 - 2
iS5Comm(config-if-range)#
```

## 21.11. mac-address-table

To configure a static unicast or multicast *MAC* address in the forwarding database or configure the timeout period (in seconds) for aging out of dynamically learned forwarding information entry and static entry in the *MAC* address table, use the command **mac-address-table** in Global Configuration Mode. The no form of the command deletes a configured static Multicast or Unicast *MAC* address from the forwarding database or resets the maximum age of an entry in the *MAC* address table to its default value.

### mac-address-table

```
mac-address-table {aging-time <time (10-1000000)>
 | static
 {multicast <aa:aa:aa:aa:aa:aa> {interface {Extreme-Ethernet <interface-id>
| gigabitethernet <interface-id>} | vlan <vlan_vfi_id>}
 | unicast <aa:aa:aa:aa:aa:aa> {interface {Extreme-Ethernet <interface-id> |
gigabitethernet <interface-id>} | status {deleteOnReset | deleteOnTimeout |
permanent} | vlan <vlan_vfi_id>}}
```

### no mac-address-table

```
no mac-address-table {aging-time
 | static {multicast <aa:aa:aa:aa:aa:aa> | vlan <vlan_vfi_id>} | unicast
<aa:aa:aa:aa:aa:aa> | vlan <vlan_vfi_id>}}
```

## Parameters

| Parameter              | Type    | Description                                                                                                                                                                                                                                                                                                                                                                                                                                                        |
|------------------------|---------|--------------------------------------------------------------------------------------------------------------------------------------------------------------------------------------------------------------------------------------------------------------------------------------------------------------------------------------------------------------------------------------------------------------------------------------------------------------------|
| aging-time             |         | Enter to configure the timeout period (in seconds) for aging out dynamically learned forwarding information entry and static entry in the MAC address table. That is, the entry is deleted once the aging timer expires.<br><br><b>NOTE:</b> Traffic class feature is used to meet the latency and throughput requirement of time-critical traffic in a LAN environment, where both time-critical and non-time-critical traffic compete for the network bandwidth. |
| <time<br>(10-1000000)> | Integer | Enter a value for the aging time. The range is from 10 to 1000000 seconds. High value for the aging time helps to record dynamic entries for a longer time, if traffic is not frequent. This reduces the possibility of flooding. The default is 300 seconds                                                                                                                                                                                                       |
| static                 |         | Enter to configure a static MAC address in the forwarding database.                                                                                                                                                                                                                                                                                                                                                                                                |
| multicast              |         | Enter to configure a static MAC address in the forwarding database.                                                                                                                                                                                                                                                                                                                                                                                                |
| <aa:aa:aa:aa:aa:aa>    |         | Enter a value for the static multicast destination MAC address. The received packets having the specified MAC address are processed.                                                                                                                                                                                                                                                                                                                               |
| interface              |         | Enter to configure the interface type for the member ports.                                                                                                                                                                                                                                                                                                                                                                                                        |
| Gigabitethernet        |         | Enter to configure gigabitethernet type of interface. Gigabitethernet is a version of LAN standard architecture that supports data transfer up to 1 Gigabit per second.                                                                                                                                                                                                                                                                                            |
| <interface<br>-id>     |         | Enter to configure a specific slot number / port number. The format is <0>/<1-28> without spaces between Slot Number/Port Number. For example, 0/1.                                                                                                                                                                                                                                                                                                                |
| Extreme-Ethernet       |         | Enter to configure the Extreme-Ethernet type of interface. Extreme Ethernet is a version of Ethernet that supports data transfer up to 10 Gigabits per second and only full duplex links                                                                                                                                                                                                                                                                           |
| <interface<br>-id>     |         | Enter to configure a specific slot number / port number. The format is <0>/<1-28> without spaces between Slot Number/Port Number. For example, 0/1.                                                                                                                                                                                                                                                                                                                |
| vlan                   |         | Enter to create a VLAN / VFI ID and enters into the config-VLAN mode in which VLAN specific configurations are done. This command directly enters into the config-VLAN mode for the specified VLAN / VFI ID, if the VLAN is already created                                                                                                                                                                                                                        |

| Parameter           | Type    | Description                                                                                                                                                                                                                                                                                                                                                                                                                                                                                                                                                                                                                                                                                                                                                                                                                                                                                                                                                                                                                                                                                                                                 |
|---------------------|---------|---------------------------------------------------------------------------------------------------------------------------------------------------------------------------------------------------------------------------------------------------------------------------------------------------------------------------------------------------------------------------------------------------------------------------------------------------------------------------------------------------------------------------------------------------------------------------------------------------------------------------------------------------------------------------------------------------------------------------------------------------------------------------------------------------------------------------------------------------------------------------------------------------------------------------------------------------------------------------------------------------------------------------------------------------------------------------------------------------------------------------------------------|
| <vlan_vfi_id>       | Integer | <p>Enter a value for VLAN or VFI ID:</p> <ul style="list-style-type: none"> <li>&lt;vlan -id&gt; - This is a unique value that represents the specific VLAN. This value ranges from 1 to 4094.</li> <li>&lt;vfi-id&gt;. - VFI ID is a VLAN created in the system which contains Pseudo wires and Attachment Circuits as member ports . This creates a logical LAN for the VPLS service. This value ranges from 4096 to 65535</li> </ul> <p><b>NOTE:</b> The VLAN ID 4095 is reserved and may be used to indicate a wildcard match for the VID in management operations or Filtering Database entries</p> <p><b>NOTE:</b> VFI IDs 4096 and 4097 are reserved identifiers used in MPLS PW</p> <p><b>NOTE:</b> The theoretical maximum for the maximum number of VFI is 65535 but the actual number of VFI supported is a sizing constant. Based on this, the maximum number of VFI ID accepted in the management interface is restricted. For example, if 100 VFIs are supported, the maximum number of VFI supported will be restricted to maximum number of VLANs + 100. An error message is displayed for any value beyond this range.</p> |
| unicast             |         | Enter to configure a static MAC address in the forwarding database.                                                                                                                                                                                                                                                                                                                                                                                                                                                                                                                                                                                                                                                                                                                                                                                                                                                                                                                                                                                                                                                                         |
| <aa:aa:aa:aa:aa:aa> |         | Enter a value for the static unicast destination MAC address. The received packets having the specified MAC address are processed.                                                                                                                                                                                                                                                                                                                                                                                                                                                                                                                                                                                                                                                                                                                                                                                                                                                                                                                                                                                                          |
| interface           |         | Enter to configure the interface type for the member ports.                                                                                                                                                                                                                                                                                                                                                                                                                                                                                                                                                                                                                                                                                                                                                                                                                                                                                                                                                                                                                                                                                 |
| Gigabitethernet     |         | Enter to configure gigabitethernet type of interface. Gigabitethernet is a version of LAN standard architecture that supports data transfer up to 1 Gigabit per second.                                                                                                                                                                                                                                                                                                                                                                                                                                                                                                                                                                                                                                                                                                                                                                                                                                                                                                                                                                     |
| <interface -id>     |         | Enter to configure a specific slot number / port number. The format is <0>/<1-28> without spaces between Slot Number/Port Number. For example, 0/1.                                                                                                                                                                                                                                                                                                                                                                                                                                                                                                                                                                                                                                                                                                                                                                                                                                                                                                                                                                                         |
| Extreme-Ethernet    |         | Enter to configure the Extreme-Ethernet type of interface. Extreme Ethernet is a version of Ethernet that supports data transfer up to 10 Gigabits per second and only full duplex links                                                                                                                                                                                                                                                                                                                                                                                                                                                                                                                                                                                                                                                                                                                                                                                                                                                                                                                                                    |
| <interface -id>     |         | Enter to configure a specific slot number / port number. The format is <0>/<1-28> without spaces between Slot Number/Port Number. For example, 0/1.                                                                                                                                                                                                                                                                                                                                                                                                                                                                                                                                                                                                                                                                                                                                                                                                                                                                                                                                                                                         |
| status              |         | Enter to specify the status of the static unicast entry. The options are:                                                                                                                                                                                                                                                                                                                                                                                                                                                                                                                                                                                                                                                                                                                                                                                                                                                                                                                                                                                                                                                                   |
| permanent           |         | Enter to specify that the entry remains even after the next reset of the bridge                                                                                                                                                                                                                                                                                                                                                                                                                                                                                                                                                                                                                                                                                                                                                                                                                                                                                                                                                                                                                                                             |



| Parameter       | Type    | Description                                                                                                                                                                                                                                                                                                                                                                                                                                                                                                                                                                                                                                                                                                                                                                                                                                                                                                                                                                                                                                                                                                                                 |
|-----------------|---------|---------------------------------------------------------------------------------------------------------------------------------------------------------------------------------------------------------------------------------------------------------------------------------------------------------------------------------------------------------------------------------------------------------------------------------------------------------------------------------------------------------------------------------------------------------------------------------------------------------------------------------------------------------------------------------------------------------------------------------------------------------------------------------------------------------------------------------------------------------------------------------------------------------------------------------------------------------------------------------------------------------------------------------------------------------------------------------------------------------------------------------------------|
| deleteOnReset   |         | Enter to specify that the entry remains even after the next reset of the bridge                                                                                                                                                                                                                                                                                                                                                                                                                                                                                                                                                                                                                                                                                                                                                                                                                                                                                                                                                                                                                                                             |
| deleteOnTimeout |         | Enter to specify that the entry remains even after the next reset of the bridge                                                                                                                                                                                                                                                                                                                                                                                                                                                                                                                                                                                                                                                                                                                                                                                                                                                                                                                                                                                                                                                             |
| vlan            |         | Enter to create a VLAN / VFI ID and enters into the config-VLAN mode in which VLAN specific configurations are done. This command directly enters into the config-VLAN mode for the specified VLAN / VFI ID, if the VLAN is already created                                                                                                                                                                                                                                                                                                                                                                                                                                                                                                                                                                                                                                                                                                                                                                                                                                                                                                 |
| <vlan_vfi_id>   | Integer | <p>Enter a value for VLAN or VFI ID:</p> <ul style="list-style-type: none"> <li>&lt;vlan -id&gt; - This is a unique value that represents the specific VLAN. This value ranges from 1 to 4094.</li> <li>&lt;vfi-id&gt;. - VFI ID is a VLAN created in the system which contains Pseudo wires and Attachment Circuits as member ports . This creates a logical LAN for the VPLS service. This value ranges from 4096 to 65535</li> </ul> <p><b>NOTE:</b> The VLAN ID 4095 is reserved and may be used to indicate a wildcard match for the VID in management operations or Filtering Database entries</p> <p><b>NOTE:</b> VFI IDs 4096 and 4097 are reserved identifiers used in MPLS PW</p> <p><b>NOTE:</b> The theoretical maximum for the maximum number of VFI is 65535 but the actual number of VFI supported is a sizing constant. Based on this, the maximum number of VFI ID accepted in the management interface is restricted. For example, if 100 VFIs are supported, the maximum number of VFI supported will be restricted to maximum number of VLANs + 100. An error message is displayed for any value beyond this range.</p> |

## Mode

Global Configuration Mode

## Default

aging time - 300 seconds

static mulitcast -status permanent

## Prerequisites

Aging time:

- The aging timer is applied to the static entry in the MAC address table, only if static entry status is set as deleteOnTimeout.

- The MAC address table maximum age can be configured in the switch, only if the VLAN switching feature is started and enabled in the switch.

#### Static:

- VLAN must have been configured and member ports must have been configured for the specified VLAN
- The VLAN value in a configured static MAC entry must be active
- The new configured ports are appended to the existing member port list of the vlan
- The Egress port value in a configured static MAC entry must be a member of the configured VLAN.

## Examples

```
iS5Comm (config)# mac-address-table aging-time 200
```

```
iS5Comm(config)# mac-address-table static multicast 01:02:03:04:05:06 vlan 1 interface gigabitethernet 0/1
```

```
iS5Comm(config)# mac-address-table static unicast 00:11:22:33:22:11 vlan 1 interface gigabitethernet 0/1 status deleteOnTimeout
```

```
iS5Comm(config)# mac-address-table static unicast 00:11:22:33:22:11 vlan 1 interface gigabitethernet 0/1 pw
```

## 21.12. mac-map

To configure *VLAN- MAC* address mapping that is used only for *MAC*-based *VLAN* membership classification, use the command **mac-map** in Interface Configuration Mode. The no form of the command deletes the specified *VLAN- MAC* address mapping entry.

### mac-map

```
mac-map <aa:aa:aa:aa:aa:aa> vlan <vlan-id/vfi_id> [mcast-bcast {discard | allow}]
```

### no mac-map

```
no mac-map <aa:aa:aa:aa:aa:aa>
```

## Parameters

| Parameter               | Type | Description                                                                                                                                                                                                                                                                                                                                                                                                                                                                                                                                                                                                                                                                                                                                                                                                                                                                                                                                                                                                                                                                                                                                                                   |
|-------------------------|------|-------------------------------------------------------------------------------------------------------------------------------------------------------------------------------------------------------------------------------------------------------------------------------------------------------------------------------------------------------------------------------------------------------------------------------------------------------------------------------------------------------------------------------------------------------------------------------------------------------------------------------------------------------------------------------------------------------------------------------------------------------------------------------------------------------------------------------------------------------------------------------------------------------------------------------------------------------------------------------------------------------------------------------------------------------------------------------------------------------------------------------------------------------------------------------|
| <aa:aa:aa:aa:<br>aa:aa> |      | Enter an unicast MAC address for to the specified VLAN and used for MAC based VLAN membership classification.                                                                                                                                                                                                                                                                                                                                                                                                                                                                                                                                                                                                                                                                                                                                                                                                                                                                                                                                                                                                                                                                 |
| vlan                    |      | Enter to map the MAC Address to the specified VLAN / VFI ID.                                                                                                                                                                                                                                                                                                                                                                                                                                                                                                                                                                                                                                                                                                                                                                                                                                                                                                                                                                                                                                                                                                                  |
| <vlan-id/vfi_<br>id>    |      | <p>Enter to map the MAC Address to the specified VLAN / VFI ID.</p> <ul style="list-style-type: none"> <li>• &lt;vlan -id&gt; - VLAN ID is a unique value that represents the specific VLAN. This value ranges from 1 to 4094.</li> <li>• &lt;vfi-id&gt;- VFI ID is a VLAN created in the system which contains Pseudo wires and Attachment Circuits as member ports . This creates a logical LAN for the VPLS service. This value ranges from 4096 to 65535.</li> </ul> <p><b>NOTE:</b> The VLAN ID 4095 is reserved and may be used to indicate a wildcard match for the VID in management operations or Filtering Database entries.</p> <p><b>NOTE:</b> VFI IDs 4096 and 4097 are reserved identifiers used in MPLS PW.</p> <p><b>NOTE:</b> The theoretical maximum for the maximum number of VFI is 65535 but the actual number of VFI supported is a sizing constant. Based on this, the maximum number of VFI ID accepted in the management interface is restricted. For example if 100 VFIs are supported, the maximum number of VFI supported will be restricted to maximum number of VLANs + 100. An error message is displayed for any value beyond this range.</p> |
| mcast-bcast             |      | Enter to configure the way of handling of broadcast and multicast traffic for packets received from source.                                                                                                                                                                                                                                                                                                                                                                                                                                                                                                                                                                                                                                                                                                                                                                                                                                                                                                                                                                                                                                                                   |
| discard                 |      | Enter to process all multicast / broadcast untagged frames that contain the specified MAC address as the source address.                                                                                                                                                                                                                                                                                                                                                                                                                                                                                                                                                                                                                                                                                                                                                                                                                                                                                                                                                                                                                                                      |
| allow                   |      | Enter to drops all multicast / broadcast untagged frames that contain the specified MAC address as the source address. This is the default option.                                                                                                                                                                                                                                                                                                                                                                                                                                                                                                                                                                                                                                                                                                                                                                                                                                                                                                                                                                                                                            |

## Mode

Interface Configuration Mode

## Default

mcast-bcast - allow

## Prerequisites

- Only the VLANs that are activated in the switch can be mapped to the specified MAC address.
- VLAN-MAC address mapping can be configured in the port, only if the VLAN switching feature is started and enabled in the switch.

## Examples

```
iS5Comm(config-if)# mac-map 00:11:22:33:44:55 vlan 1 mcast-bcast discard
```

## 21.13. map protocol

To create a protocol group with a specific protocol and encapsulation frame type combination, use the command **map protocol** in Global Configuration Mode. The no form of the command deletes all groups that have the specified protocol and encapsulation frame type combination. The created protocol group is used for protocol- *VLAN* based membership classification. The specified protocol is applied above the data-link layer in a protocol template, and the frame type is applied in the template.

### map protocol

```
map protocol {appletalk | ip | netbios | novell | other <aa:aa or
aa:aa:aa:aa:aa>}
{enet-v2 | llcOther | snap | snap8021H | snapOther}
protocols-group <Group id integer(0-2147483647)>
```

### no map protocol

```
no map protocol {appletalk | ip | netbios | novell | other <aa:aa or
aa:aa:aa:aa:aa>} {enet-v2 | llcOther | snap | snap8021H | snapOther}
```

## Parameters

| Parameter                        | Type | Description                                                                                                                                                                                                                                                                                                                                                                                                                                                                                                                                                                                                                                                                                                                                                                                  |
|----------------------------------|------|----------------------------------------------------------------------------------------------------------------------------------------------------------------------------------------------------------------------------------------------------------------------------------------------------------------------------------------------------------------------------------------------------------------------------------------------------------------------------------------------------------------------------------------------------------------------------------------------------------------------------------------------------------------------------------------------------------------------------------------------------------------------------------------------|
| appletalk                        |      | Enter to configure AppleTalk protocol, which is a proprietary suite of protocols developed by Apple Inc. The corresponding octet string is 80:9b.                                                                                                                                                                                                                                                                                                                                                                                                                                                                                                                                                                                                                                            |
| ip                               |      | Enter to configure Internet Protocol, , which is used for communicating data across network using TCP / IP. The corresponding octet string is 08:00.                                                                                                                                                                                                                                                                                                                                                                                                                                                                                                                                                                                                                                         |
| netbios                          |      | Enter to configure NetBIOS protocol ver TCP/IP, which allows legacy application relying on NetBIOS API to be used on modern TCP/IP networks. The corresponding octet string is f0:f0. This protocol can be set only for the encapsulation frame type llcOther.                                                                                                                                                                                                                                                                                                                                                                                                                                                                                                                               |
| novel                            |      | Enter to configure Novell Netware protocol suite, which is developed by Novell Inc. The corresponding octet string is ff:ff.                                                                                                                                                                                                                                                                                                                                                                                                                                                                                                                                                                                                                                                                 |
| other                            |      | Enter to set the protocol type using its corresponding octet string. This value is used to configure protocols other than ip, novell, netbios and appletalk and also the listed protocol types. This value is set as: 16-bit (2 octet) IEEE 802.3 type field, if the frame type is set as enet-v2, snap and snap8021H; 40-bit (5 octet) PID, if the frame type is set as "snapOther"; or 2 octet IEEE 802.2 LSAP pair, if the frame type is set as llcother. The first octet is used for DSAP and the second octet is used for SSAP.                                                                                                                                                                                                                                                         |
| <aa:aa or<br>aa:aa:aa:a<br>a:aa> |      | Enter an octet string to identify protocol type.                                                                                                                                                                                                                                                                                                                                                                                                                                                                                                                                                                                                                                                                                                                                             |
| enet-v2                          |      | <p>Enter to apply the standard IEEE 802.3 frame format. This format contains:</p> <ul style="list-style-type: none"> <li>• Preamble – 7 byte value that allows the Ethernet card to synchronize with the beginning of a frame.</li> <li>• SFD – 1 byte value that indicates the start of a frame.</li> <li>• Destination – 6 byte MAC address of the destination.</li> <li>• Source – 6 byte MAC address of the source or a broadcast.</li> <li>• Length – 2 byte value representing the number of bytes in the data fields.</li> <li>• Data – 46 to 1500 bytes higher layer information containing protocol information or user data.</li> <li>• FCS – 4 byte value representing the cyclic redundancy check used by source and destination to verify a successful transmission.</li> </ul> |

| Parameter                                            | Type    | Description                                                                                                                                                                                                                                                                                                                                                                                                                                                                                                                                                         |
|------------------------------------------------------|---------|---------------------------------------------------------------------------------------------------------------------------------------------------------------------------------------------------------------------------------------------------------------------------------------------------------------------------------------------------------------------------------------------------------------------------------------------------------------------------------------------------------------------------------------------------------------------|
| <code>llcOther</code>                                |         | <p>Enter to apply the LLC format. This format contains the same structure as IEEE 802.3 frame except the following additional fields added before the data field:</p> <ul style="list-style-type: none"> <li>• DSAP – 1 byte value representing destination service access point to determine the protocol used for the upper layer.</li> <li>• SSAP – 1 byte value representing source service access point to determine the protocol used for the upper layer.</li> <li>• Control – 1 byte value that is used by certain protocols for administration.</li> </ul> |
| <code>snap</code>                                    |         | <p>Enter to apply the sub-network access protocol format. This format contains the same structure as LLC format except the following additional fields added before the data field</p> <ul style="list-style-type: none"> <li>• OUI – 3 byte value representing organizational unique ID assigned to vendors for differentiating protocols from different manufacturers.</li> <li>• Type – 2-byte value representing protocol type that defines a specific protocol in the SNAP. This maintains compatibility with Ethernet v2.</li> </ul>                          |
| <code>snap8021H</code>                               |         | <p>Enter to apply the sub-network access protocol format. This format contains the same structure as LLC format except the following additional fields added before the data field</p> <ul style="list-style-type: none"> <li>• 3 octet field having value 00:00:F8 signifying that next 2 octet field is the encoding of 802.3 Type field in an IEEE 802.2/SNAP Header.</li> <li>• 2 octet Type field - encoding of 802.3 Type field in an IEEE 802.2/SNAP Header</li> </ul>                                                                                       |
| <code>snapOther</code>                               |         | <p>Enter to apply the sub-network access protocol format. This format contains the same structure as LLC format except for an additional 5 octet SNAP Protocol Identifier (PID) added before the data field. The value of the PID is not in either of the ranges used for RFC_1042(SNAP) or SNAP 802.1H. This frame type can be set only for some other protocol type other than IP, Novell, Netbios and Appletalk.</p>                                                                                                                                             |
| <code>protocols-group</code>                         |         | <p>Enter to configure a unique group ID that is to be created with the specified protocol type and encapsulation frame type. This value represents a specific group of protocols that are associated together when assigning a VID to a frame.</p>                                                                                                                                                                                                                                                                                                                  |
| <code>&lt;Group id integer (0-2147483647)&gt;</code> | Integer | <p>Enter a value for the unique group ID. This value ranges from 0 to 2147483647.</p>                                                                                                                                                                                                                                                                                                                                                                                                                                                                               |

## Mode

Global Configuration Mode

## Default

default

## Prerequisites

Protocol group cannot be created and configured in the switch, if the base bridge mode is set as transparent bridging or the VLAN switching feature is shut down in the switch.

## Examples

```
iS5Comm(config)# map protocol ip enet-v2 protocols-group 1
```

## 21.14. map subnet

To configure *VLAN*-IP subnet address mapping that is used only for subnet-VLAN based membership classification, use the command **map subnet** in Global Configuration Mode. The **no** form of the command deletes the *VLAN*-IP subnet address mapping entry. In subnet- *VLAN* based membership classification, the source IP address in received packet is matched to a *VLAN* ID using this mapping entry to perform *VLAN* membership classification.

### map subnet

```
map subnet <ip-subnet-address> [vlan <vlan_vfi_id>] [arp {suppress | allow}]
[mask <subnet-mask>]
```

### no map subnet

```
no map subnet <ip-subnet-address> [mask <subnet-mask>]
```

## Parameters

| Parameter           | Type    | Description                                                                                                                                                                                                                                                                                                                                                                                                                                                                                                                                                                                                                                                                                                                                                                                                                                                                                                                                                                                                                                                                                                                                  |
|---------------------|---------|----------------------------------------------------------------------------------------------------------------------------------------------------------------------------------------------------------------------------------------------------------------------------------------------------------------------------------------------------------------------------------------------------------------------------------------------------------------------------------------------------------------------------------------------------------------------------------------------------------------------------------------------------------------------------------------------------------------------------------------------------------------------------------------------------------------------------------------------------------------------------------------------------------------------------------------------------------------------------------------------------------------------------------------------------------------------------------------------------------------------------------------------|
| <ip-subnet-address> |         | Enter to configure the IP subnet address to be used for deciding on discarding / allowing of ARP frames. The format is A.B.C.D.                                                                                                                                                                                                                                                                                                                                                                                                                                                                                                                                                                                                                                                                                                                                                                                                                                                                                                                                                                                                              |
| vlan                | Integer | Enter to specify a VLAN / VFI ID.                                                                                                                                                                                                                                                                                                                                                                                                                                                                                                                                                                                                                                                                                                                                                                                                                                                                                                                                                                                                                                                                                                            |
| <vlan_vfi_id>       |         | <p>Enter a value for VLAN or VFI ID:</p> <ul style="list-style-type: none"> <li>• &lt;vlan -id&gt; - This is a unique value that represents the specific VLAN. This value ranges from 1 to 4094.</li> <li>• &lt;vfi-id&gt;- VFI ID is a VLAN created in the system which contains Pseudo wires and Attachment Circuits as member ports. This creates a logical LAN for the VPLS service. This value ranges from 4096 to 65535</li> </ul> <p><b>NOTE:</b> The VLAN ID 4095 is reserved and may be used to indicate a wildcard match for the VID in management operations or Filtering Database entries</p> <p><b>NOTE:</b> VFI IDs 4096 and 4097 are reserved identifiers used in MPLS PW</p> <p><b>NOTE:</b> The theoretical maximum for the maximum number of VFI is 65535 but the actual number of VFI supported is a sizing constant. Based on this, the maximum number of VFI ID accepted in the management interface is restricted. For example, if 100 VFIs are supported, the maximum number of VFI supported will be restricted to maximum number of VLANs + 100. An error message is displayed for any value beyond this range.</p> |
| arp                 |         | Enter to configure the way of handling of ARP (Address Resolution Protocol) untagged frames on the specified VLAN.                                                                                                                                                                                                                                                                                                                                                                                                                                                                                                                                                                                                                                                                                                                                                                                                                                                                                                                                                                                                                           |
| suppress            |         | Enter to discard ARP untagged frames on VLAN.                                                                                                                                                                                                                                                                                                                                                                                                                                                                                                                                                                                                                                                                                                                                                                                                                                                                                                                                                                                                                                                                                                |
| allow               |         | Enter to allow ARP untagged frames on VLAN.                                                                                                                                                                                                                                                                                                                                                                                                                                                                                                                                                                                                                                                                                                                                                                                                                                                                                                                                                                                                                                                                                                  |
| mask                |         | Enter to configure the subnet mask address to be used for deciding on discarding / allowing of ARP frames.                                                                                                                                                                                                                                                                                                                                                                                                                                                                                                                                                                                                                                                                                                                                                                                                                                                                                                                                                                                                                                   |
| <subnet-mask>       |         | Enter a value for the subnet mask. The format is A.B.C.D                                                                                                                                                                                                                                                                                                                                                                                                                                                                                                                                                                                                                                                                                                                                                                                                                                                                                                                                                                                                                                                                                     |

## Mode

Global Configuration Mode / Interface Configuration Mode



## Default

arp - Allow

## Prerequisites

- This command is available only in the Global Configuration mode, if the switch BCMX\_WANTED is set as yes during the compilation of the exe.
- This command is available only in the Interface Configuration mode, if the switch BCMX\_WANTED is set as no during the compilation of the exe.
- Only the VLANs that are activated in the switch can be mapped to the specified IP subnet address.
- VLAN-IP subnet address mapping can be configured in the port, only if the VLAN switching feature is started and enabled in the switch

## Examples

```
iS5Comm(config)# map subnet 14.0.0.0 vlan 1 arp allow
```

## 21.15. name

To configure a name for the *VLAN*, use the command **name** in *VLAN* Configuration Mode. The no form of the command deletes the configured name for the *VLAN*.

### name

```
name <vlan name string>
```

### no name

```
no name
```

## Mode

VLAN Configuration Mode

## Parameters

| Parameter          | Type | Description                                                                    |
|--------------------|------|--------------------------------------------------------------------------------|
| <vlan name string> |      | Enter a value to specify VLAN name. This value is a string of maximum size 32. |

## Examples

```
iS5Comm(config-vlan)# name vlnnew
```

## 21.16. port

To enable *MAC*-based *VLAN*, protocol- *VLAN* based, and subnet-based *VLAN* membership classification in a port, use the command **port** in Interface Configuration Mode. The no form of the command disables all types of *VLAN* membership classification or a specified *VLAN* membership classification in the port.

### port

```
port {mac-vlan | protocol-vlan | subnet-vlan}
```

### no port

```
no port [mac-vlan] [protocol-vlan] [subnet-vlan]
```

## Parameters

| Parameter     | Type | Description                                                                                                                                                                                                                                                                                                                                                                                                                                                                                                                                                                                                                                                                                                                                                                                                                                                                                                                                                                                                                     |
|---------------|------|---------------------------------------------------------------------------------------------------------------------------------------------------------------------------------------------------------------------------------------------------------------------------------------------------------------------------------------------------------------------------------------------------------------------------------------------------------------------------------------------------------------------------------------------------------------------------------------------------------------------------------------------------------------------------------------------------------------------------------------------------------------------------------------------------------------------------------------------------------------------------------------------------------------------------------------------------------------------------------------------------------------------------------|
| mac-vlan      |      | <p>Enter to enable MAC-based VLAN membership classification in a port. VLAN membership classification is done based on the MAC address of the source of the received packets. By default, MAC based VLAN classification is disabled on all ports.</p> <p><b>NOTE:</b> MAC based VLAN membership classification can be enabled or disabled in the ports without depending on the global status of the MAC based VLAN membership classification.</p> <p><b>NOTE:</b> The change in global MAC based VLAN membership classification overrides the port membership classification. For example, If the classification in the port is set as enabled while global classification is disabled, and if global classification is changed as enabled and once again to disabled, the classification in the port will be automatically set as disabled.</p> <p><b>NOTE:</b> MAC based VLAN membership classification can be enabled / disabled in the switch, only if the VLAN switching feature is started and enabled in the switch</p> |
| subnet-vlan   |      | <p>Enter to enable subnet-based VLAN membership classification in a port. The source IP address in received packet is matched to a VLAN ID using an administrator configured table to perform VLAN membership classification.</p>                                                                                                                                                                                                                                                                                                                                                                                                                                                                                                                                                                                                                                                                                                                                                                                               |
| protocol-vlan |      | <p>Enter to enable protocol-based VLAN membership classification in a port. VLAN membership classification is done for all untagged and priority-tagged frames based on the port-protocol group / higher layer protocol for the port.</p>                                                                                                                                                                                                                                                                                                                                                                                                                                                                                                                                                                                                                                                                                                                                                                                       |

## Mode

Interface Configuration Mode

## Prerequisites

- All types of VLAN based membership classification can be enabled or disabled in the ports without depending on the global status of the protocol-VLAN based membership classification.
- The change in all types global VLAN based membership classification overrides the port membership classification. For example, If the classification in the port is set as enabled while global classification is disabled, and if global classification is changed as enabled and once again to disabled, the classification in the port will be automatically set as disabled. All types of VLAN based membership classification can be enabled / disabled in the switch, only if the VLAN switching feature is started and enabled in the switch.

## Examples

```
iS5Comm(config-if)# port mac-vlan
iS5Comm(config-if)# port subnet-vlan
iS5Comm(config-if)# port protocol-vlan
iS5Comm(config-if)# no port protocol-vlan
iS5Comm(config-if)# no ports
```

## 21.17. ports

To statically configure a *VLAN* entry with the required member ports, untagged ports and/or forbidden ports, and activate the *VLAN*, use the command **ports** in *VLAN* Configuration Mode. The *VLAN* can also be activated using the `vlan active` command. The configuration defines the tagged and untagged member ports that are used for egress tagging of a *VLAN* at a port. The `no` form of the command deletes the specified port details for the *VLAN*. Static ARP cache entry related to the static *MAC* address of this specific port and *VLAN* should be removed while removing a port from the *VLAN*. The member ports cannot be set empty for the *VLAN*, once the member ports details are configured for that *VLAN*.

### ports

```
ports [add] ([<interface-type> <0/a-b,0/c,...>] ([<interface-type>
<0/a-b,0/c,...>] [port-channel <a,b,c-d>] [pw <a,b,c-d>] [pw <a,b,c-d>]
[untagged (<interface-type> <0/a-b,0/c,...> (<interface-type>
<0/a-b,0/c,...> [port-channel <a,b,c-d>] [pw <a,b,c-d>] [ac <a,b,c-d>]
[all]) [forbidden ([<interface-type> <0/a-b,0/c,...>] [<interface-type>
<0/a-b,0/c,...>] [port-channel <a,b,c-d>] [pw <a,b,c-d>] [ac <a,b,c-d>]])]
```

### no ports

```
no ports [add] ([<interface-type> <0/a-b,0/c,...>] ([<interface-type>
<0/a-b,0/c,...>] [port-channel <a,b,c-d>] [pw <a,b,c-d>] [pw <a,b,c-d>]
[untagged (<interface-type> <0/a-b,0/c,...> (<interface-type>
<0/a-b,0/c,...> [port-channel <a,b,c-d>] [pw <a,b,c-d>] [ac <a,b,c-d>]
[all]) [forbidden ([<interface-type> <0/a-b,0/c,...>] [<interface-type>
<0/a-b,0/c,...>] [port-channel <a,b,c-d>] [pw <a,b,c-d>] [ac <a,b,c-d>]])]
```

## Parameters

| Parameter                 | Type | Description                                                                                                                                                                                                                                                                                                                                                                                                                                                                                                                                                                                                                                                                                                                                                             |
|---------------------------|------|-------------------------------------------------------------------------------------------------------------------------------------------------------------------------------------------------------------------------------------------------------------------------------------------------------------------------------------------------------------------------------------------------------------------------------------------------------------------------------------------------------------------------------------------------------------------------------------------------------------------------------------------------------------------------------------------------------------------------------------------------------------------------|
| add                       |      | Enter to append the new configured ports to the existing member port list of the vlan.                                                                                                                                                                                                                                                                                                                                                                                                                                                                                                                                                                                                                                                                                  |
| <interface-type<br>>      |      | Enter to set the type of interface. The interface can be: <ul style="list-style-type: none"> <li>• fastethernet – Officially referred to as 100BASE-T standard. This is a version of LAN standard architecture that supports data transfer up to 100 Megabits per second.</li> <li>• gigabitethernet – A version of LAN standard architecture that supports data transfer up to 1 Gigabit per second.</li> <li>• extreme-ethernet – A version of Ethernet that supports data transfer up to 10 Gigabits per second. This Ethernet supports only full duplex links.</li> <li>• xl-ethernet</li> <li>• port-channel – Logical interface that represents an aggregator which contains several ports aggregated together</li> <li>• attachment circuit interface</li> </ul> |
| <0/a-b, 0/c,<br>...>      |      | Enter to configure the list of port channel interfaces or a specific port channel identifier. Use comma as a separator without space while configuring list of interfaces. Example: 1,3.                                                                                                                                                                                                                                                                                                                                                                                                                                                                                                                                                                                |
| port-channel<br><a,b,c-d> |      | Enter to set the list of port channel interfaces or a specific port channel identifier. Use comma as a separator without space while configuring list of interfaces. Example: 1,3.                                                                                                                                                                                                                                                                                                                                                                                                                                                                                                                                                                                      |
| pw <a,b,c-d>              |      | Enter to set the Pseudo wire interface as member port. When the pseudo wire interface is mapped to a specific VLAN, the interface structures are created. This value ranges from 1 to 65535.<br><b>NOTE:</b> Maximum number of PseudoWire interfaces supported in the system is 100.                                                                                                                                                                                                                                                                                                                                                                                                                                                                                    |
| untagged                  |      | Enter to configure the ports that should be used for the VLAN to transmit egress packets as untagged packets                                                                                                                                                                                                                                                                                                                                                                                                                                                                                                                                                                                                                                                            |

| Parameter                                | Type | Description                                                                                                                                                                                                                                                                                                                                                                                                                                                                                                                                                                                                                                                                                                                                                                                          |
|------------------------------------------|------|------------------------------------------------------------------------------------------------------------------------------------------------------------------------------------------------------------------------------------------------------------------------------------------------------------------------------------------------------------------------------------------------------------------------------------------------------------------------------------------------------------------------------------------------------------------------------------------------------------------------------------------------------------------------------------------------------------------------------------------------------------------------------------------------------|
| <code>&lt;interface-type<br/>&gt;</code> |      | <p>Enter to set the type of interface. The interface can be:</p> <ul style="list-style-type: none"> <li>• fastethernet – Officially referred to as 100BASE-T standard. This is a version of LAN standard architecture that supports data transfer up to 100 Megabits per second.</li> <li>• gigabitethernet – A version of LAN standard architecture that supports data transfer up to 1 Gigabit per second.</li> <li>• extreme-ethernet – A version of Ethernet that supports data transfer up to 10 Gigabits per second. This Ethernet supports only full duplex links.</li> <li>• xl-ethernet</li> <li>• port-channel – Logical interface that represents an aggregator which contains several ports aggregated together</li> <li>• pseudowire</li> <li>• attachment circuit interface</li> </ul> |
| <code>&lt;/a-b, 0/c,<br/>...&gt;</code>  |      | Enter to configure the list of port channel interfaces or a specific port channel identifier. Use comma as a separator without space while configuring list of interfaces. Example: 1,3.                                                                                                                                                                                                                                                                                                                                                                                                                                                                                                                                                                                                             |
| <code>port-channel</code>                |      | Enter to set the list of port channel interfaces or a specific port channel identifier. Use comma as a separator without space while configuring list of interfaces. Example: 1,3.                                                                                                                                                                                                                                                                                                                                                                                                                                                                                                                                                                                                                   |
| <code>pw &lt;a,b,c-d&gt;</code>          |      | <p>Enter to set the Pseudo wire interface as member port. When the pseudo wire interface is mapped to a specific VLAN, the interface structures are created. This value ranges from 1 to 65535.</p> <p><b>NOTE:</b> Maximum number of PseudoWire interfaces supported in the system is 100.</p>                                                                                                                                                                                                                                                                                                                                                                                                                                                                                                      |
| <code>ac &lt;a,b, c-d&gt;</code>         |      | Enter to set the AC interface as a port that should never receive packets from the VLAN. This value ranges from 1 to 65535. Use comma as a separator without space while configuring list of interfaces. Example: 1,3.                                                                                                                                                                                                                                                                                                                                                                                                                                                                                                                                                                               |
| <code>all</code>                         |      | <p>Sets all configured member ports as the untagged ports for the VLAN.</p> <ul style="list-style-type: none"> <li>• The ports configured should be a subset of the member ports.</li> <li>• The ports that are attached to VLAN-aware devices should always be set as untagged ports only.</li> <li>• he ports can be set as untagged ports, only if they are not configured as trunk ports.</li> </ul>                                                                                                                                                                                                                                                                                                                                                                                             |

| Parameter                 | Type | Description                                                                                                                                                                                                                                                                                                                                                                                                                                                                                                                                                                                                                                                                                                                                                             |
|---------------------------|------|-------------------------------------------------------------------------------------------------------------------------------------------------------------------------------------------------------------------------------------------------------------------------------------------------------------------------------------------------------------------------------------------------------------------------------------------------------------------------------------------------------------------------------------------------------------------------------------------------------------------------------------------------------------------------------------------------------------------------------------------------------------------------|
| forbidden                 |      | Enter to configure the ports that should never receive packets from the VLAN. These ports drops the packets received from this VLAN.                                                                                                                                                                                                                                                                                                                                                                                                                                                                                                                                                                                                                                    |
| <interface-type<br>>      |      | Enter to set the type of interface. The interface can be: <ul style="list-style-type: none"> <li>• fastethernet – Officially referred to as 100BASE-T standard. This is a version of LAN standard architecture that supports data transfer up to 100 Megabits per second.</li> <li>• gigabitethernet – A version of LAN standard architecture that supports data transfer up to 1 Gigabit per second.</li> <li>• extreme-ethernet – A version of Ethernet that supports data transfer up to 10 Gigabits per second. This Ethernet supports only full duplex links.</li> <li>• xl-ethernet</li> <li>• port-channel – Logical interface that represents an aggregator which contains several ports aggregated together</li> <li>• attachment circuit interface</li> </ul> |
| <0/a-b, 0/c,<br>...>      |      | Enter to configure the list of port channel interfaces or a specific port channel identifier. Use comma as a separator without space while configuring list of interfaces. Example: 1,3.                                                                                                                                                                                                                                                                                                                                                                                                                                                                                                                                                                                |
| port-channel<br><a,b,c-d> |      | Enter to set the list of port channel interfaces or a specific port channel identifier. Use comma as a separator without space while configuring list of interfaces. Example: 1,3                                                                                                                                                                                                                                                                                                                                                                                                                                                                                                                                                                                       |
| pw <a,b,c-d>              |      | Enter to set the Pseudo wire interface as member port. When the pseudo wire interface is mapped to a specific VLAN, the interface structures are created. This value ranges from 1 to 65535.<br><b>NOTE:</b> Maximum number of PseudoWire interfaces supported in the system is 100.                                                                                                                                                                                                                                                                                                                                                                                                                                                                                    |
| ac <a,b, c-d>             |      | Enter to set the AC interface as a port that should never receive packets from the VLAN. This value ranges from 1 to 65535. Use comma as a separator without space while configuring list of interfaces. Example: 1,3.                                                                                                                                                                                                                                                                                                                                                                                                                                                                                                                                                  |

## Mode

### VLAN Configuration Mode

## Default

All ports available in the switch are configured as member ports and untagged ports of the default VLAN (VLAN 1). For other active VLANs, the member, untagged and forbidden ports are not set (that is, set as none).

## Prerequisites

Protocol group cannot be created and configured in the switch if the base bridge mode is set as transparent bridging or the VLAN switching feature is shut down in the switch.

## Examples

```
iS5Comm(config-vlan)# ports gigabitethernet 0/1 untagged gigabitethernet 0/1 forbidden gigabitethernet 0/2
```

```
iS5Comm(config-vlan)# ports add gigabitethernet 0/1 untagged gigabitethernet 0/1 forbidden gigabitethernet 0/1
```

## 21.18. port-security trap-syslog

To configure the security violation trap and syslog with Max rate, use the command **port-security trap-syslog** in Global Configuration Mode.

### port-security trap-syslog

```
port-security trap-syslog {enable [rate < integer(1-10) >] | disable}
```

### Parameters

| Parameter | Type | Description                                                  |
|-----------|------|--------------------------------------------------------------|
| enable    |      | Enables syslogs and traps for port security violations       |
| rate      |      | The maximum rate in seconds, followed by a value of 1 to 10. |
| disable   |      | Disables syslogs and traps for port security violations      |

## Examples

```
iS5Comm (config)# port-security trap-syslog enable rate 3
```

```
iS5Comm (config)# port-security trap-syslog disable
```



## Syslogs

```
<130>Sep 20 10:35:20 ISS VLAN Port Security violation occurred on the
port : 9 for VLAN ID : 63 and for MAC addr : 00:00:00:00:10:64<130>Sep
20 10:35:20 ISS VLAN Port Security violation occurred on the port : 9
for VLAN ID : 63 and for MAC addr : 00:00:00:00:10:01
<130>Sep 20 10:35:20 ISS VLAN Port Security violation occurred on the
port : 9 for VLAN ID : 63 and for MAC addr : 00:00:00:00:10:02
<130>Sep 20 10:35:20 ISS VLAN Port Security violation occurred on the
port : 9 for VLAN ID : 63 and for MAC addr : 00:00:00:00:10:03
<130>Sep 20 10:35:20 ISS VLAN Port Security violation occurred on the
port : 9 for VLAN ID : 63 and for MAC addr : 00:00:00:00:10:04
<130>Sep 20 10:35:20 ISS VLAN Port Security violation occurred on the
port : 9 for VLAN ID : 63 and for MAC addr : 00:00:00:00:10:05
```

## 21.19. port-security violation

To configure the security violation status for the specified port, use the command **port-security violation** in Global Configuration Mode.

### port-security violation

```
port-security violation {protect | restrict | shutdown}
```

### Parameters

| Parameter | Type | Description                                                                                                                                                                                          |
|-----------|------|------------------------------------------------------------------------------------------------------------------------------------------------------------------------------------------------------|
| violation |      | Enter to configure the security violation status for the specified switch port.<br><b>NOTE:</b> This command can be executed only if the port is created.                                            |
| protect   |      | Enter to set the port-security violation label (sav) as protected that sets strict security flag as false and only unknown MAC is treated as violation on all security configured ports.             |
| restrict  |      | Enter to set the port-security violation label (shv) as restricted that sets the security flag as true and configured MAC alone are alone treated as non violation on all security configured ports. |
| shutdown  |      | Enter to set the port-security violation status as shutdown that disables all security. This is the default option.                                                                                  |

### Examples

```
iS5Comm(config)# port-security violation protect
```

## 21.20. protocol-vlan

To enable protocol- *VLAN* based membership classification on all ports of the switch, use the command **protocol-vlan** in Global Configuration Mode. The **no** form of the command disables protocol- *VLAN* based membership classification on all ports of the switch. *VLAN* membership classification is done for all untagged and priority-tagged frames based on the port-protocol group / higher layer protocol for the port.

### **protocol-vlan**

```
protocol-vlan
```

### **no protocol-vlan**

```
no protocol-vlan
```

### **Mode**

Global Configuration Mode

### **Default**

Protocol-based VLAN membership classification is enabled on all ports of the switch.

### **Prerequisites**

Protocol-VLAN based membership classification cannot be configured in the switch if the VLAN switching feature has been shut down in the switch.

### **Examples**

```
iS5Comm(config)# no protocol-vlan
```

## 21.21. set filtering-utility-criteria

To sets the filtering utility criteria to be applied on all ports, use the command **set filtering-utility-criteria** in Global Configuration Mode.

### **set filtering-utility-criteria**

```
set filtering-utility-criteria {disable | enable}
```

## Parameters

| Parameter | Type | Description                                                                                                                                                                                                                                                                                                                                                                                                                                                                                                                                                                                                                                                                                                                                                                        |
|-----------|------|------------------------------------------------------------------------------------------------------------------------------------------------------------------------------------------------------------------------------------------------------------------------------------------------------------------------------------------------------------------------------------------------------------------------------------------------------------------------------------------------------------------------------------------------------------------------------------------------------------------------------------------------------------------------------------------------------------------------------------------------------------------------------------|
| disable   |      | Enter to set default filtering utility criteria to be applied on all ports. If default filtering utility Criteria is selected on a port, then learning of source mac from a received packet on that port will be done only if there is at least on member port in that vlan.                                                                                                                                                                                                                                                                                                                                                                                                                                                                                                       |
| enable    |      | <p>Enter to apply the filtering utility criteria configured on the port. It can be default or enhanced.</p> <p>If enhanced filtering utility criteria is selected on a port, then learning of source mac from a received packet on that port will be done if the following are satisfied:</p> <ul style="list-style-type: none"> <li>• If at least one VLAN that uses the FID includes the reception Port and at least one other Port with a Port State of Learning or Forwarding in its member set, and: <ul style="list-style-type: none"> <li>– The operPointToPointMAC parameter is false for the reception Port; or</li> <li>– Ingress to the VLAN is permitted through a third Port. The third port can, but is not required to be in the member set.</li> </ul> </li> </ul> |

## Mode

Global Configuration Mode

## Default

enable

## Examples

```
iS5Comm(config)# set filtering-utility-criteria enable
```

## 21.22. set garp timer

To enable or disable globally the *GARP* Multicast Registration Protocol ( *GMRP*) feature on all ports, use the command **set garp timer** in Interface Configuration Mode. *GMRP* uses the services of *GARP* to propagate multicast information to the bridges in a *LAN*. This information allows *GMRP* aware devices to reduce the transmission of multicast traffic to the *LANs*, which do not have any members of that multicast group. *GMRP* registers and de-registers the group membership information and group service requirement information with the *GARP*.

**set garp timer**

```
set garp timer {join <time in milli seconds> | leave <time in milli seconds>
| leaveall <time in milli seconds>}
```

## Parameters

| Parameter               | Type    | Description                                                                                                                                                                                                                                                                                                                                                                                                                                                                                                                                                                                                                                                  |
|-------------------------|---------|--------------------------------------------------------------------------------------------------------------------------------------------------------------------------------------------------------------------------------------------------------------------------------------------------------------------------------------------------------------------------------------------------------------------------------------------------------------------------------------------------------------------------------------------------------------------------------------------------------------------------------------------------------------|
| join                    |         | <p>Enter to configure the time interval (in milli-seconds) till which a GARP participant should wait for its join message to be acknowledged before re-sending the join message. The join message is re-transmitted only once, if the initial message is not acknowledged. This time is started, once the initial join message is sent. The join message is sent by a GARP participant to another GARP participant for registering:</p> <ul style="list-style-type: none"> <li>• Its attributes with another participant</li> <li>• Its manually configured attributes</li> <li>• Attributes received from a third GARP participant</li> </ul>               |
| <time in milli seconds> | Integer | <p>Enter a value for the time interval. This value can be multiple of tens only (that is, as 210, 220, 230 and so on) This value should satisfy the condition: <math>GarpJoinTime &gt; 0</math> and <math>(2 * GarpJoinTime) &lt; GarpLeaveTime</math>.</p>                                                                                                                                                                                                                                                                                                                                                                                                  |
| leave                   |         | <p>Enter to configure the time interval (in milli-seconds) till which a GARP participant should wait for any join message before removing attribute details (that is, waiting time for a registrar to move from empty state (MT) to leave state (LV)). This time is started, once a leave message is sent to de-register the attribute details. The leave messages are sent from a GARP participant to another participant, when:</p> <ul style="list-style-type: none"> <li>• Its attributes should be de-registered</li> <li>• Its attributes are manually de-registered</li> <li>• It receives leave messages from a third GARP participant</li> </ul>    |
| <time in milli seconds> | Integer | <p>Enter a value for the time interval. This value can be multiple of tens only (that is, as 610, 620, 630 and so on). The leave time should be greater than or two times as that of the GarpJoinTime. That is, the maximum value of the leave time cannot be more than two times of the join time. For example, if you configure join time as 500 milliseconds, then the leave time value can be from 510 milliseconds to 1000 milliseconds only.</p>                                                                                                                                                                                                       |
| leaveall                |         | <p>Enter to configure the time interval (in milli-seconds) till which the details of the registered attributes are maintained. The attribute details should be re-registered after this time interval. A leaveall message is sent from a GARP participant to other GARP participants, after this time interval. This time is started, once a GARP participant starts/once re-registration is done. The leaveall messages are sent from a GARP participant to other participants for:</p> <ul style="list-style-type: none"> <li>• De-registering all registered attributes</li> <li>• Re-registering all attributes with each of the participants</li> </ul> |

| Parameter                     | Type    | Description                                                                                                                                                                                     |
|-------------------------------|---------|-------------------------------------------------------------------------------------------------------------------------------------------------------------------------------------------------|
| <time in<br>milli<br>seconds> | Integer | Enter a value for the time interval. This value can be multiple of tens only (that is, as 10010, 10020 and so on). The “leaveall time” should be greater than 0 and greater than GarpLeaveTime. |

## Mode

Interface Configuration Mode

## Default

- join - 200
- leave - 600
- leaveall - 10000

## Prerequisites

- The GARP timers cannot be set as zero.
- The GARP timers can be configured, only if the GARP module is not shutdown.

## Examples

```
iS5Comm(config)# set garp timer join 250
```

## 21.23. set gmrp

To enable or disable globally the *GARP* Multicast Registration Protocol ( *GMRP*) feature on all ports, use the command **set gmrp** in Global Configuration Mode. *GMRP* uses the services of *GARP* to propagate multicast information to the bridges in a *LAN*. This information allows *GMRP* aware devices to reduce the transmission of multicast traffic to the *LANs*, which do not have any members of that multicast group. *GMRP* registers and de-registers the group membership information and group service requirement information with the *GARP*.

### set gmrp

```
set gmrp {disable | enable}
```

## Parameters

| Parameter | Type | Description                                                                                                             |
|-----------|------|-------------------------------------------------------------------------------------------------------------------------|
| disable   |      | Enter to disable GMRP feature in the switch on all ports.                                                               |
| enable    |      | Enter to enable GMRP feature in the switch on all ports and also starts the GARP in the switch if the GARP is disabled. |

## Mode

Global Configuration Mode

## Default

enable

## Prerequisites

- GMRP feature can be globally enabled, only if VLAN feature is globally enabled in the switch.
- GMRP feature should be globally disabled before globally disabling the VLAN feature in the switch.
- GMRP feature cannot be enabled in the switch, if the VLAN switching feature is shutdown in the switch.

## Examples

```
iS5Comm(config)# set gmrp disable
```

## 21.24. set gvrp

To enable or disable globally the *GVRP* feature on all ports, use the command **set gvrp** in Global Configuration Mode. *GVRP* uses the services of *GARP* to propagate *VLAN* registration information to other *VLAN*-aware bridges in a *LAN*. This information allows *GVRP* aware devices to dynamically establish and update the information about the existence of the *VLANs* in a topology. The *GVRP* registers the created *VLANs* with *GARP* and de-registers the deleted *VLANs* from the *GARP*.

### set gvrp

```
set gvrp {disable | enable}
```

## Parameters

| Parameter | Type | Description                                                                                                             |
|-----------|------|-------------------------------------------------------------------------------------------------------------------------|
| disable   |      | Enter to disable GVRP feature in the switch on all ports.                                                               |
| enable    |      | Enter to enable GVRP feature in the switch on all ports and also starts the GARP in the switch if the GARP is disabled. |

## Mode

Global Configuration Mode

## Default

enable

## Prerequisites

- GVRP feature can be globally enabled, only if VLAN feature is globally enabled in the switch.
- GVRP feature should be globally disabled before globally disabling the VLAN feature in the switch.
- GVRP feature cannot be enabled in the switch, if it is shutdown in the switch.

## Examples

```
iS5Comm(config)# set gvrp disable
```

## 21.25. set mac-learning

To configure the global *MAC* learning status, use the command **set mac-learning** in Global Configuration Mode.

### set mac-learning

```
set mac-learning {enable | disable}
```



## Parameters

| Parameter | Type | Description                               |
|-----------|------|-------------------------------------------|
| enable    |      | Enter to enable the global MAC learning.  |
| disable   |      | Enter to disable the global MAC learning. |

## Mode

Global Configuration Mode

## Default

enable

## Examples

```
iS5Comm (config)# set mac-learning enable
```

## 21.26. set packet-reflection

To enable or disable reflection status for the port, use the command **set packet-reflection** in Interface Configuration Mode.

### set packet-reflection

```
set packet-reflection {disable | enable}
```

## Parameters

| Parameter | Type | Description                                                           |
|-----------|------|-----------------------------------------------------------------------|
| disable   |      | Enter to disable reflection status for the port. This is the default. |
| enable    |      | Enter to enable reflection status for the port.                       |

## Mode

Interface Configuration Mode

## Default

disable

## Examples

```
iS5Comm (config-if)# set packet-reflection enable
```

## 21.27. set port

To enable or disable globally the *GMRP* or *GVRP* feature on a specified interface, use the command **set port** in Global Configuration Mode.

### set port

```
set port gmrp <interface-type> <interface-id> {disable | enable}
gvrp <interface-type> <interface-id> {disable | enable}
gvrp {disable | enable} <string(4)>
```

## Parameters

| Parameter        | Type | Description                                                                                                                                                                                                                                                                                                                                                                                                                                                                                                                                                                                                                                                                                                                                                                       |
|------------------|------|-----------------------------------------------------------------------------------------------------------------------------------------------------------------------------------------------------------------------------------------------------------------------------------------------------------------------------------------------------------------------------------------------------------------------------------------------------------------------------------------------------------------------------------------------------------------------------------------------------------------------------------------------------------------------------------------------------------------------------------------------------------------------------------|
| gmrp             |      | <p>Enter to disable / enable GMRP feature on the specified interface. GMRP uses the services of GARP to propagate multicast information to the bridges in a LAN. This information allows GMRP aware devices to reduce the transmission of multicast traffic to the LANs, which do not have any members of that multicast group. GMRP registers and de-registers the group membership information and group service requirement information with the GARP.</p> <p><b>NOTE:</b> The GMRP feature can be configured on the specified interface, only if the GARP module is not shutdown.</p> <p><b>NOTE:</b> Any GMRP packet received is discarded and no GMRP registrations are propagated from other ports, if GMRP is globally disabled or GMRP is disabled in the interface.</p> |
| <interface-type> |      | <p>Enter to configure the GVRP feature for the specified type of interface. The interface can be as following parameters.</p> <ul style="list-style-type: none"> <li>gigabitethernet – A version of LAN standard architecture that supports data transfer up to 1 Gigabit per second.</li> <li>extreme-ethernet – A version of Ethernet that supports data transfer up to 10 Gigabits per second. This Ethernet supports only full duplex links.</li> </ul>                                                                                                                                                                                                                                                                                                                       |
| <interface-id>   |      | <p>Configures the GVRP feature for the specified interface identifier. This is a unique value that represents the specific interface. This value is a combination of slot number and port number separated by a slash, for interface type other than i-lan and port-channel. For example: 0/1 represents that the slot number is 0 and port number is 1. Only i-lan and port-channel ID is provided, for interface types i-lan and port-channel. For example: 1 represents i-lan and port-channel ID.</p>                                                                                                                                                                                                                                                                         |
| disable          |      | Enter to disable GMRP feature on the specified interface                                                                                                                                                                                                                                                                                                                                                                                                                                                                                                                                                                                                                                                                                                                          |
| enable           |      | Enter to enable GMRP feature in the switch on all ports and also starts the GARP in the switch if the GARP is disabled.                                                                                                                                                                                                                                                                                                                                                                                                                                                                                                                                                                                                                                                           |

| Parameter        | Type | Description                                                                                                                                                                                                                                                                                                                                                                                                                                                                                                                                                                                                                                                                                                                                                 |
|------------------|------|-------------------------------------------------------------------------------------------------------------------------------------------------------------------------------------------------------------------------------------------------------------------------------------------------------------------------------------------------------------------------------------------------------------------------------------------------------------------------------------------------------------------------------------------------------------------------------------------------------------------------------------------------------------------------------------------------------------------------------------------------------------|
| gvrp             |      | <p>Enter to disable / enable GVRP feature on the specified interface. VRP uses the services of GARP to propagate VLAN registration information to other VLAN aware bridges in a LAN. This information allows GVRP aware devices to dynamically establish and update the information about the existence of the VLANs in a topology. The GVRP registers the created VLANs with GARP and de-registers the deleted VLANs from the GARP.</p> <p><b>NOTE:</b> The GVRP feature can be configured on the specified interface, only if the GARP module is not shutdown.</p> <p><b>NOTE:</b> Any GVRP packet received is discarded and no GVRP registrations are propagated from other ports, if GVRP is globally disabled or GVRP is disabled in the interface</p> |
| <interface-type> |      | <p>Enter to configure the GVRP feature for the specified type of interface. The interface can be as following parameters.</p> <ul style="list-style-type: none"> <li>gigabitethernet – A version of LAN standard architecture that supports data transfer up to 1 Gigabit per second.</li> <li>extreme-ethernet – A version of Ethernet that supports data transfer up to 10 Gigabits per second. This Ethernet supports only full duplex links.</li> </ul>                                                                                                                                                                                                                                                                                                 |
| <interface-id>   |      | <p>Configures the GVRP feature for the specified interface identifier. This is a unique value that represents the specific interface. This value is a combination of slot number and port number separated by a slash, for interface type other than i-lan and port-channel. For example: 0/1 represents that the slot number is 0 and port number is 1. Only i-lan and port-channel ID is provided, for interface types i-lan and port-channel. For example: 1 represents i-lan and port-channel ID.</p>                                                                                                                                                                                                                                                   |
| disable          |      | Enter to disable GVRP feature on the specified interface.                                                                                                                                                                                                                                                                                                                                                                                                                                                                                                                                                                                                                                                                                                   |
| enable           |      | Enter to enable GVRP feature in the switch on all ports and also starts the GARP in the switch if the GARP is disabled.                                                                                                                                                                                                                                                                                                                                                                                                                                                                                                                                                                                                                                     |
| gvrp             |      | <p>Enter to disable / enable GVRP feature on the specified interface.</p> <p><b>NOTE:</b> The value enable indicates that GVRP is enabled on the current port, as long as global GVRP status is also enabled for the device.</p> <p><b>NOTE:</b> If port GVRP state is disabled, but global GVRP status is still enabled, then GVRP is disabled on current port. Any received GVRP packets will be discarded and no GVRP registrations will be propagated from other ports.</p>                                                                                                                                                                                                                                                                             |
| disable          |      | Enter to disable GVRP feature in the switch on the specified interface                                                                                                                                                                                                                                                                                                                                                                                                                                                                                                                                                                                                                                                                                      |
| enable           |      | Enter to enable GVRP feature in the switch on the specified interface. This is the default.                                                                                                                                                                                                                                                                                                                                                                                                                                                                                                                                                                                                                                                                 |

| Parameter                           | Type    | Description                    |
|-------------------------------------|---------|--------------------------------|
| <code>&lt;string<br/>(4)&gt;</code> | Integer | Enter an Interface identifier. |

## Mode

Global Configuration Mode

## Default

enable

## Examples

```
iS5Comm(config)# set port gmrp gigabitethernet 0/1 disable
```

```
iS5Comm(config)# set port gvrp gigabitethernet 0/1 disable
```

```
iS5Comm(config)# set port gvrp disable 0/1
```

## 21.28. set sw-stats

To set the software statistics collection globally in the switch, use the command **set sw-stats** in Global Configuration Mode.

### set sw-stats

```
set sw-stats {disable | enable}
```

## Parameters

| Parameter | Type | Description                                                                                                                                                                                    |
|-----------|------|------------------------------------------------------------------------------------------------------------------------------------------------------------------------------------------------|
| disable   |      | Enter to disable software statistics collection globally in the switch. The statistics collection will be done by the hardware and will not be stored in software.                             |
| enable    |      | Enter to enable software statistics collection globally in the switch and the statistics will be stored in the software. This value can be set only if data switching is done by the software. |

## Mode

Global Configuration Mode

## Default

If data switching is done by software, then the default value is enabled else by default statistics collection by the software is disabled.

## Examples

```
iS5Comm(config)# set sw-stats enable
```

## 21.29. set unicast-mac learning

To enable or disable unicast- *MAC* learning feature for a *VLAN*, use the command **set unicast-mac learning** in *VLAN* Configuration Mode. The source *MAC* learning is not done in the switch when this feature is disabled for the *VLAN*.

### set unicast-mac learning

```
set unicast-mac learning {enable | disable | default}
```

## Parameters

| Parameter | Type | Description                                                                                                                                                                                                       |
|-----------|------|-------------------------------------------------------------------------------------------------------------------------------------------------------------------------------------------------------------------|
| enable    |      | Enter to enable unicast-MAC learning feature for a VLAN.                                                                                                                                                          |
| disable   |      | Enter to disable unicast-MAC learning feature for a VLAN.                                                                                                                                                         |
| default   |      | Enter to set the unicast-MAC learning feature of the VLAN to its default state. When this feature is set to Default, this feature inherits the value configured for Global mac learning status as Enable/Disable. |

## Mode

VLAN Configuration Mode

## Default

default

## Prerequisites

Global MAC learning status will override the VLAN unicast-MAC learning status only when the VLAN unicast-MAC learning status is default.

VLAN unicast-MAC learning can be configured as Enable/Disable even when the Global Mac learning status is Disabled.

VLAN unicast-MAC learning feature can be configured only in the VLANs that are activated.

## Examples

```
iS5Comm (config-vlan)# set unicast-mac learning enable
```

## 21.30. set vlan traffic-classes

To enable or disable the traffic class feature on all ports, use the command **set vlan traffic-classes** in Global Configuration Mode.

### set vlan traffic-classes

```
set vlan traffic-classes {enable | disable}
```

## Parameters

| Parameter | Type | Description                                                                                                                                                                                                                                                                                                                                                           |
|-----------|------|-----------------------------------------------------------------------------------------------------------------------------------------------------------------------------------------------------------------------------------------------------------------------------------------------------------------------------------------------------------------------|
| enable    |      | Enter to enable traffic class feature in the switch on all ports. User priority to the particular traffic class can be enabled.<br><b>NOTE:</b> Traffic class feature is used to meet the latency and throughput requirement of time-critical traffic in a LAN environment, where both time-critical and non-time-critical traffic compete for the network bandwidth. |
| disable   |      | Enter to disable the traffic class feature in the switch on all ports. The switch operates with a single priority level for all traffic                                                                                                                                                                                                                               |

## Mode

Global Configuration Mode

## Default

enable

## Prerequisites

The traffic class feature cannot be configured in the switch if the VLAN switching feature is shut down in the switch.

## Examples

```
iS5Comm (config)# set vlan traffic-classes disable
```

## 21.31. show forward-all

To display all entries in the *VLAN* forward all table, use the command **show forward-all** in Privileged EXEC Mode. These entries contain forward-all details of all active *VLANs* in the switch. The details have *VLAN* ID and information regarding forwarding to all ports, all static ports, and all forbidden ports assigned to the *VLAN*.

### show forward-all

```
show forward-all [switch <context_name>]
```



## Parameters

| Parameter      | Type | Description                   |
|----------------|------|-------------------------------|
| switch         |      | Enter to specify switch name. |
| <context_name> |      | Enter a context name.         |

## Mode

Privileged EXEC Mode

## Prerequisites

This command can be executed in the switch, only if the VLAN switching feature is started and enabled in the switch.

## Examples

```
iS5Comm# show forward-all switch default
```

```
Vlan Forward All Table
```

```

```

```
Vlan ID : 1
```

```
ForwardAll Ports : Gi0/1
```

```
ForwardAll Static Ports : Gi0/1
```

```
ForwardAll ForbiddenPorts : Gi0/2
```

```

```

## 21.32. show forward-unregistered

To display all entries in the *VLAN* forward unregistered table, use the command **show forward-unregistered** in Privileged EXEC Mode. These entries contain forward-unregistered port details of all active *VLAN*s in the switch. The details have *VLAN* ID and information regarding unregistered ports, unregistered static ports and unregistered forbidden ports assigned to the *VLAN*.

### show forward-unregistered

```
show forward-unregistered [switch <context_name>]
```

## Parameters

| Parameter      | Type | Description                   |
|----------------|------|-------------------------------|
| switch         |      | Enter to specify switch name. |
| <context_name> |      | Enter a context name.         |

## Mode

Privileged EXEC Mode

## Prerequisites

This command can be executed in the switch, only if the VLAN switching feature is started and enabled in the switch.

## Examples

```
iS5Comm# show forward-unregistered
```

```
Vlan Forward Unregistered Table
```

```

```

```
Vlan ID : 1Unreg ports : Gi0/1, Gi0/2, Gi0/3, Gi0/4, Gi0/5,
Gi0/6
```

```
Gi0/7, Gi0/8, Gi0/9, Gi0/10, Gi0/11, Gi0/12
Gi0/13, Gi0/14, Gi0/15, Gi0/16, Gi0/17, Gi0/18
Gi0/19, Gi0/20, Gi0/21, Gi0/22, Gi0/23, Gi0/24
Ex0/1, Ex0/2, Ex0/3, Ex0/4
```

```
Unreg Static Ports : Gi0/1, Gi0/2, Gi0/3, Gi0/4, Gi0/5, Gi0/6
Gi0/7, Gi0/8, Gi0/9, Gi0/10, Gi0/11, Gi0/12
Gi0/13, Gi0/14, Gi0/15, Gi0/16, Gi0/17, Gi0/18
Gi0/19, Gi0/20, Gi0/21, Gi0/22, Gi0/23, Gi0/24
Ex0/1, Ex0/2, Ex0/3, Ex0/4
```

```
Unreg Forbidden Ports : None
```

```

```

## 21.33. show garp timer

To display the *GARP* timer information of all interfaces available in the switch / all contexts, use the command **show garp timer** in Privileged EXEC Mode.

**show garp timer**

```
show garp timer [{port <interface-type> <interface-id> [switch <string
(32)>]}
```

**Parameters**

| Parameter        | Type | Description                                                                                                                                                                                                                                                                                                                                                                                                                                                                                            |
|------------------|------|--------------------------------------------------------------------------------------------------------------------------------------------------------------------------------------------------------------------------------------------------------------------------------------------------------------------------------------------------------------------------------------------------------------------------------------------------------------------------------------------------------|
| port             |      | Enter to display the GARP timer information of the specified interface.                                                                                                                                                                                                                                                                                                                                                                                                                                |
| <interface-type> |      | Enter to specify type of interface to be displayed. The interface can be as following parameters. <ul style="list-style-type: none"> <li>gigabitethernet – A version of LAN standard architecture that supports data transfer up to 1 Gigabit per second.</li> <li>extreme-ethernet – A version of Ethernet that supports data transfer up to 10 Gigabits per second. This Ethernet supports only full duplex links.</li> </ul>                                                                        |
| <interface-id>   |      | Enter to specify interface identifier of the interface to be displayed. This is a unique value that represents the specific interface. This value is a combination of slot number and port number separated by a slash, for interface type other than i-lan and port-channel. For example: 0/1 represents that the slot number is 0 and port number is 1. Only i-lan and port-channel ID is provided, for interface types i-lan and port-channel. For example: 1 represents i-lan and port-channel ID. |
| switch           |      | Enter to display the GARP timer information of all interfaces, for the specified context. This value represents unique name of the switch context.                                                                                                                                                                                                                                                                                                                                                     |
| <string(32)>     |      | Enter a value for an Interface identifier. This value represents unique name of the switch context. This value is a string with the maximum size as 32. This parameter is specific to multiple instance feature. For now switch should be only default.                                                                                                                                                                                                                                                |

**Mode**

Privileged EXEC Mode

**Prerequisites**

This command can be executed in the switch, only if the GARP module is not shut down and VLAN switching feature is started and enabled in the switch.

## Examples

```
iS5Comm# show garp timer port gigabitethernet 0/1
```

```
Garp Port Timer Info (in milli seconds)

Port Join-time Leave-time Leave-all-time

Gi0/1 200 600 10000
```

## 21.34. show gmrp statistics

To display *GMRP* statistics for the specified port, use the command **show gmrp statistics** in Privileged EXEC Mode.

### show gmrp statistics

```
show gmrp statistics [{port <interface-type> <interface-id>}]
```

### Parameters

| Parameter        | Type | Description                                                                                                                                                                                                                                                                                                                                                                                                                                                                                            |
|------------------|------|--------------------------------------------------------------------------------------------------------------------------------------------------------------------------------------------------------------------------------------------------------------------------------------------------------------------------------------------------------------------------------------------------------------------------------------------------------------------------------------------------------|
| port             |      | Enter to display the GMRP statistics for the specified interface.                                                                                                                                                                                                                                                                                                                                                                                                                                      |
| <interface-type> |      | Enter to specify type of interface to be displayed. The interface can be as following parameters. <ul style="list-style-type: none"> <li>gigabitethernet – A version of LAN standard architecture that supports data transfer up to 1 Gigabit per second.</li> <li>extreme-ethernet – A version of Ethernet that supports data transfer up to 10 Gigabits per second. This Ethernet supports only full duplex links.</li> </ul>                                                                        |
| <interface-id>   |      | Enter to specify interface identifier of the interface to be displayed. This is a unique value that represents the specific interface. This value is a combination of slot number and port number separated by a slash, for interface type other than i-lan and port-channel. For example: 0/1 represents that the slot number is 0 and port number is 1. Only i-lan and port-channel ID is provided, for interface types i-lan and port-channel. For example: 1 represents i-lan and port-channel ID. |

### Mode

Privileged EXEC Mode

## Examples

```
iS5Comm# show gmrp statistics port gigabitethernet 0/1
```

```
GMRP Statistics for Port Gi0/1

Total valid GMRP Packets Received 0:
Join Emptys 0
Join In 0
Leave In 0
Leave All 0
Leave Empty 0
Empty 0
Total valid GMRP Packets Transmitted:0
Join Emptys 0
Join In 0
Leave In 0
Leave All 0
Leave Empty 0
Empty 0
```

### 21.35. show gvrp statistics

To display *GVRP* statistics in the system or for the specified port, use the command **show gvrp statistics** in Privileged EXEC Mode.

#### **show gvrp statistics**

```
show gvrp statistics [{port <interface-type> <interface-id>}]
```

## Parameters

| Parameter        | Type | Description                                                                                                                                                                                                                                                                                                                                                                                                                                                                                                                                                                                                                                                                                                                                                                                                                                                                                                                                                                                                                             |
|------------------|------|-----------------------------------------------------------------------------------------------------------------------------------------------------------------------------------------------------------------------------------------------------------------------------------------------------------------------------------------------------------------------------------------------------------------------------------------------------------------------------------------------------------------------------------------------------------------------------------------------------------------------------------------------------------------------------------------------------------------------------------------------------------------------------------------------------------------------------------------------------------------------------------------------------------------------------------------------------------------------------------------------------------------------------------------|
| port             |      | Enter to display the GVRP statistics for the specified interface.                                                                                                                                                                                                                                                                                                                                                                                                                                                                                                                                                                                                                                                                                                                                                                                                                                                                                                                                                                       |
| <interface-type> |      | <p>Enter to specify type of interface to be displayed. The interface can be as following parameters.</p> <ul style="list-style-type: none"> <li>gigabitethernet – A version of LAN standard architecture that supports data transfer up to 1 Gigabit per second.</li> <li>extreme-ethernet – A version of Ethernet that supports data transfer up to 10 Gigabits per second. This Ethernet supports only full duplex links.</li> <li>internal-lan – Internal LAN created on a bridge per IEEE 802.1ap.</li> <li>port-channel – Logical interface that represents an aggregator which contains several ports aggregated together.</li> <li>pw - Pseudowire (PW) is an emulation of a point-to-point connection over a packet-switching network (PSN). This value ranges from 1 to 65535. Maximum number of PseudoWire interfaces supported in the system is 100.</li> <li>ac - Attachment Circuit (AC) is a physical or virtual circuit attaching a Customer Edge to a Provider Edge port. This value ranges from 1 to 65535.</li> </ul> |
| <interface-id>   |      | <p>Enter to specify interface identifier of the interface to be displayed. This is a unique value that represents the specific interface. This value is a combination of slot number and port number separated by a slash, for interface type other than i-lan and port-channel. For example: 0/1 represents that the slot number is 0 and port number is 1. Only i-lan and port-channel ID is provided, for interface types i-lan and port-channel. For example: 1 represents i-lan and port-channel ID.</p>                                                                                                                                                                                                                                                                                                                                                                                                                                                                                                                           |

## Mode

Privileged EXEC Mode

## Examples

```
iS5Comm# show gvrp statistics port gigabitethernet 0/1
```

```
GVRP Statistics for Port Gi0/1
```

```

```

```
Total valid GVRP Packets Received 0:
```

```
Join Emptys 0
```

```
Join In 0
```

```

Leave In 0
Leave All 0
Leave Empty 0
Empty 0
Total valid GVRP Packets Transmitted:0
Join Emptys 0
Join In 0
Leave In 0
Leave All 0
Leave Empty 0
Empty 0

```

## 21.36. show mac-address-table

To display all static / dynamic unicast or multicast *MAC* entries created in the *MAC* address table, use the command **show mac-address-table** in Privileged EXEC Mode. These entries contain *VLAN* ID, unicast / multicast *MAC* address, unicast backbone *MAC* address of peer backbone edge bridge, member ports, the type of entry (i.e. static, learn, etc.), and total number of entries displayed.

### show mac-address-table

```

show mac-address-table [address <aa:aa:aa:aa:aa:aa>]
 [aging-time [switch <context_name>]]
 [count [vlan <vlan-range>] [switch <context_name>]]
 [dynamic multicast [vlan <vlan-range>] [address <aa:aa:aa:aa:aa:aa>]
{Extreme-Ethernet <interface-id> | gigabitethernet <interface-id>} | switch
<context_name>]
 [dynamic unicast [vlan <vlan-range>] [address <aa:aa:aa:aa:aa:aa>]
{Extreme-Ethernet <interface-id> | gigabitethernet <interface-id>} | switch
<context_name>]
 hardware
 [static multicast [vlan <vlan-range>] [address <aa:aa:aa:aa:aa:aa>]
{Extreme-Ethernet <interface-id> | gigabitethernet <interface-id>} | switch
<context_name>]
 [static unicast [vlan <vlan-range>] [address <aa:aa:aa:aa:aa:aa>]
{Extreme-Ethernet <interface-id> | gigabitethernet <interface-id>} | switch
<context_name>]
 [vlan <vlan-range>] [{interface {Extreme-Ethernet <interface-id> | giga-
bitethernet <interface-id>} | switch <context_name>]}

```

## Parameters

| Parameter           | Type | Description                                                                                                                                                                                                                                                                                                                                                                |
|---------------------|------|----------------------------------------------------------------------------------------------------------------------------------------------------------------------------------------------------------------------------------------------------------------------------------------------------------------------------------------------------------------------------|
| address             |      | Enter to display all static / dynamic unicast and multicast MAC entries created in the MAC address table for the specified unicast / multicast MAC address.                                                                                                                                                                                                                |
| <aa:aa:aa:aa:aa:aa> |      | Enter a MAC address.                                                                                                                                                                                                                                                                                                                                                       |
| aging-time          |      | Enter to display the maximum age of a Mac address table entry.                                                                                                                                                                                                                                                                                                             |
| switch              |      | Enter to specify switch name.                                                                                                                                                                                                                                                                                                                                              |
| <context_name>      |      | Enter to specify context name.                                                                                                                                                                                                                                                                                                                                             |
| count               |      | Enter to display the number of MAC addresses present on all VLANs or on a specified VLAN                                                                                                                                                                                                                                                                                   |
| vlan                |      | Enter to display all static / dynamic unicast and multicast MAC entries created in the MAC address table for the specified VLANs alone.                                                                                                                                                                                                                                    |
| <vlan-range>        |      | Enter a VLAN range value that denotes the VLAN ID range for which the entries need to be displayed. This value ranges from 1 to 4094. For example, the value is provided as 4000-4010 to display the entries for VLAN IDs from 4000 to 4010.                                                                                                                               |
| switch              |      | Enter to specify switch name.                                                                                                                                                                                                                                                                                                                                              |
| <context_name>      |      | Enter to specify context name.                                                                                                                                                                                                                                                                                                                                             |
| dynamic             |      | Enter to display all dynamically learnt entries from the MAC address table.                                                                                                                                                                                                                                                                                                |
| multicast           |      | Enter to display all dynamically learnt multicast entries. These entries contain VLAN ID for which multicast MAC address entry is learnt, multicast MAC address, ports through which the entry is learnt, the status of entry (that is permanent, static and so on), the unicast backbone MAC address of peer backbone edge bridge, and total number of entries displayed. |
| vlan                |      | Enter to display all dynamically learnt multicast entries from the MAC address table for the specified VLANs alone                                                                                                                                                                                                                                                         |
| <vlan-range>        |      | Enter a value for vlan range that denotes the VLAN ID range for which the entries need to be displayed. This value ranges from 1 to 4094. For example, the value is provided as 4000-4010 to display the entries for VLAN IDs from 4000 to 4010.                                                                                                                           |



| Parameter           | Type | Description                                                                                                                                                                                                                                                                                                                                                          |
|---------------------|------|----------------------------------------------------------------------------------------------------------------------------------------------------------------------------------------------------------------------------------------------------------------------------------------------------------------------------------------------------------------------|
| address             |      | Enter to display all dynamically learnt multicast entries from the MAC address table for the specified unicast MAC address.                                                                                                                                                                                                                                          |
| <aa:aa:aa:aa:aa:aa> |      | Enter a MAC address.                                                                                                                                                                                                                                                                                                                                                 |
| interface           |      | Enter to specify the type of interface.                                                                                                                                                                                                                                                                                                                              |
| Extreme-Ethernet    |      | Enter to configure the Extreme-Ethernet type of interface to be displayed. Extreme Ethernet is a version of Ethernet that supports data transfer up to 10 Gigabits per second and only full duplex links                                                                                                                                                             |
| <interface-id>      |      | Enter to configure a specific slot number / port number to be displayed. The format is <0>/<1-28> without spaces between Slot Number/Port Number. For example, 0/1.                                                                                                                                                                                                  |
| Gigabitethernet     |      | Enter to configure gigabitethernet type of interface to be displayed. Gigabitethernet is a version of LAN standard architecture that supports data transfer up to 1 Gigabit per second.                                                                                                                                                                              |
| <interface-id>      |      | Enter to configure a specific slot number / port number to be displayed. The format is <0>/<1-28> without spaces between Slot Number/Port Number. For example, 0/1.                                                                                                                                                                                                  |
| switch              |      | Enter to specify switch name.                                                                                                                                                                                                                                                                                                                                        |
| <context_name>      |      | Enter to specify context name.                                                                                                                                                                                                                                                                                                                                       |
| dynamic             |      | Enter to display all dynamically learnt entries from the MAC address table.                                                                                                                                                                                                                                                                                          |
| unicast             |      | Enter to display all dynamically learnt unicast entries. These entries contain VLAN ID for which unicast MAC address entry is learnt, unicast MAC address, ports through which the entry is learnt, the status of entry (that is permanent, static and so on), the unicast backbone MAC address of peer backbone edge bridge, and total number of entries displayed. |
| vlan                |      | Enter to display all dynamically learnt unicast entries from the MAC address table for the specified VLANs alone                                                                                                                                                                                                                                                     |
| <vlan-range>        |      | Enter a value for vlan range that denotes the VLAN ID range for which the entries need to be displayed. This value ranges from 1 to 4094. For example, the value is provided as 4000-4010 to display the entries for VLAN IDs from 4000 to 4010.                                                                                                                     |

| Parameter           | Type | Description                                                                                                                                                                                                                                                                                                                                                                                         |
|---------------------|------|-----------------------------------------------------------------------------------------------------------------------------------------------------------------------------------------------------------------------------------------------------------------------------------------------------------------------------------------------------------------------------------------------------|
| address             |      | Enter to display all dynamically learnt unicast entries from the MAC address table for the specified unicast MAC address.                                                                                                                                                                                                                                                                           |
| <aa:aa:aa:aa:aa:aa> |      | Enter a MAC address.                                                                                                                                                                                                                                                                                                                                                                                |
| interface           |      | Enter to specify the type of interface.                                                                                                                                                                                                                                                                                                                                                             |
| Extreme-Ethernet    |      | Enter to configure the Extreme-Ethernet type of interface to be displayed. Extreme Ethernet is a version of Ethernet that supports data transfer up to 10 Gigabits per second and only full duplex links                                                                                                                                                                                            |
| <interface-id>      |      | Enter to configure a specific slot number / port number to be displayed. The format is <0>/<1-28> without spaces between Slot Number/Port Number. For example, 0/1.                                                                                                                                                                                                                                 |
| Gigabitethernet     |      | Enter to configure gigabitethernet type of interface to be displayed. Gigabitethernet is a version of LAN standard architecture that supports data transfer up to 1 Gigabit per second.                                                                                                                                                                                                             |
| <interface-id>      |      | Enter to configure a specific slot number / port number to be displayed. The format is <0>/<1-28> without spaces between Slot Number/Port Number. For example, 0/1.                                                                                                                                                                                                                                 |
| switch              |      | Enter to specify switch name.                                                                                                                                                                                                                                                                                                                                                                       |
| <context_name>      |      | Enter to specify context name.                                                                                                                                                                                                                                                                                                                                                                      |
| static              |      | Enter to display static multicast MAC address entries created in the FDB table.                                                                                                                                                                                                                                                                                                                     |
| hardware            |      | Enter to display all MAC addresses programmed in hardware.                                                                                                                                                                                                                                                                                                                                          |
| multicast           |      | Enter to display all static multicast MAC address entries created in the FDB table. These entries contain VLAN ID for which multicast MAC address entry is learnt, multicast MAC address, ports through which the entry is learnt, the status of entry (that is permanent, static and so on), the unicast backbone MAC address of peer backbone edge bridge, and total number of entries displayed. |
| vlan                |      | Enter to display all static multicast MAC address entries created in the FDB table for the specified VLANs alone                                                                                                                                                                                                                                                                                    |

| Parameter           | Type | Description                                                                                                                                                                                                                                                                                                                                                                                   |
|---------------------|------|-----------------------------------------------------------------------------------------------------------------------------------------------------------------------------------------------------------------------------------------------------------------------------------------------------------------------------------------------------------------------------------------------|
| <vlan-range>        |      | Enter a value for vlan range that denotes the VLAN ID range for which the entries need to be displayed. This value ranges from 1 to 4094. For example, the value is provided as 4000-4010 to display the entries for VLAN IDs from 4000 to 4010.                                                                                                                                              |
| address             |      | Enter to display all static unicast MAC address entries created in the FDB table for the specified unicast MAC address.                                                                                                                                                                                                                                                                       |
| <aa:aa:aa:aa:aa:aa> |      | Enter a MAC address.                                                                                                                                                                                                                                                                                                                                                                          |
| interface           |      | Enter to specify the type of interface.                                                                                                                                                                                                                                                                                                                                                       |
| Extreme-Ethernet    |      | Enter to configure the Extreme-Ethernet type of interface to be displayed. Extreme Ethernet is a version of Ethernet that supports data transfer up to 10 Gigabits per second and only full duplex links                                                                                                                                                                                      |
| <interface-id>      |      | Enter to configure a specific slot number / port number to be displayed. The format is <0>/<1-28> without spaces between Slot Number/Port Number. For example, 0/1.                                                                                                                                                                                                                           |
| Gigabitethernet     |      | Enter to configure gigabitethernet type of interface to be displayed. Gigabitethernet is a version of LAN standard architecture that supports data transfer up to 1 Gigabit per second.                                                                                                                                                                                                       |
| <interface-id>      |      | Enter to configure a specific slot number / port number to be displayed. The format is <0>/<1-28> without spaces between Slot Number/Port Number. For example, 0/1.                                                                                                                                                                                                                           |
| switch              |      | Enter to specify switch name.                                                                                                                                                                                                                                                                                                                                                                 |
| <context_name>      |      | Enter to specify context name.                                                                                                                                                                                                                                                                                                                                                                |
| static              |      | Enter to display static unicast MAC address entries created in the FDB table.                                                                                                                                                                                                                                                                                                                 |
| unicast             |      | Enter to display all static unicast MAC address entries created in the FDB table. These entries contain VLAN ID for which unicast MAC address entry is learnt, unicast MAC address, ports through which the entry is learnt, the status of entry (that is permanent, static and so on), the unicast backbone MAC address of peer backbone edge bridge, and total number of entries displayed. |
| vlan                |      | Enter to display all static unicast MAC address entries created in the FDB table for the specified VLANs alone                                                                                                                                                                                                                                                                                |

| Parameter           | Type | Description                                                                                                                                                                                                                                      |
|---------------------|------|--------------------------------------------------------------------------------------------------------------------------------------------------------------------------------------------------------------------------------------------------|
| <vlan-range>        |      | Enter a value for vlan range that denotes the VLAN ID range for which the entries need to be displayed. This value ranges from 1 to 4094. For example, the value is provided as 4000-4010 to display the entries for VLAN IDs from 4000 to 4010. |
| address             |      | Enter to display all static unicast MAC address entries created in the FDB table for the specified unicast MAC address.                                                                                                                          |
| <aa:aa:aa:aa:aa:aa> |      | Enter a MAC address.                                                                                                                                                                                                                             |
| interface           |      | Enter to specify the type of interface.                                                                                                                                                                                                          |
| Extreme-Ethernet    |      | Enter to configure the Extreme-Ethernet type of interface to be displayed. Extreme Ethernet is a version of Ethernet that supports data transfer up to 10 Gigabits per second and only full duplex links                                         |
| <interface-id>      |      | Enter to configure a specific slot number / port number to be displayed. The format is <0>/<1-28> without spaces between Slot Number/Port Number. For example, 0/1.                                                                              |
| Gigabitethernet     |      | Enter to configure gigabitethernet type of interface to be displayed. Gigabitethernet is a version of LAN standard architecture that supports data transfer up to 1 Gigabit per second.                                                          |
| <interface-id>      |      | Enter to configure a specific slot number / port number to be displayed. The format is <0>/<1-28> without spaces between Slot Number/Port Number. For example, 0/1.                                                                              |
| switch              |      | Enter to specify switch name.                                                                                                                                                                                                                    |
| <context_name>      |      | Enter to specify context name.                                                                                                                                                                                                                   |

## Mode

Privileged EXEC Mode

## Prerequisites

This command can be executed in the switch, only if the VLAN switching feature is started and enabled in the switch.

## Examples

iS5Comm# show mac-address-table

| Vlan | Mac Address       | Type   | ConnectionId | Ports |
|------|-------------------|--------|--------------|-------|
| 1    | 54:e1:ad:07:0d:87 | Learnt |              | Gi0/9 |

Total Mac Addresses displayed: 1

iS5Comm# show mac-address-table aging-time

Mac Address Aging Time: 300

iS5Comm# show mac-address-table count

Mac Entries for Vlan 1:

```

Dynamic Unicast Address Count : 0
Dynamic Multicast Address Count : 0
Static Unicast Address Count : 0
Static Multicast Address Count : 0

```

iS5Comm# show mac-address-table hardware

MAC addresses programmed in hardware

```

Index | MAC addr | VLAN | Interface

2592 | 54:e1:ad:07:0d:87 | 1 | 0/9

6092 | e8:e8:75:90:0b:01 | 1 | 0/0

16384 | e8:e8:75:90:0b:01 | 1 | 0/0

```

iS5Comm# show mac-address static multicast

Static Multicast Table-----

Total Mac Addresses displayed: 0

iS5Comm# show mac-address static unicast

| Vlan  | Mac Address | RecvPort | Status | Connection ID |
|-------|-------------|----------|--------|---------------|
| Ports |             |          |        |               |
| ----  | -----       | -----    | -----  | -----         |
| ----  |             |          |        |               |

Total Mac Addresses displayed: 0

## 21.37. show port-security

To display port security related information for the specified interface or all interfaces created in the system, use the command **show port-security** in Privileged EXEC Mode.

### **show port-security**

```
show port-security [{interface <interface-type> <interface-id> | switch
<context_name>}]
```

## Parameters

| Parameter                           | Type | Description                                                                                                                                                                                                                                                                                                                                                                                                                                                                                                                                                                                                                                                                                                                                                                                                                                                                                     |
|-------------------------------------|------|-------------------------------------------------------------------------------------------------------------------------------------------------------------------------------------------------------------------------------------------------------------------------------------------------------------------------------------------------------------------------------------------------------------------------------------------------------------------------------------------------------------------------------------------------------------------------------------------------------------------------------------------------------------------------------------------------------------------------------------------------------------------------------------------------------------------------------------------------------------------------------------------------|
| <code>interface</code>              |      | Enter to display the port security related information for the specified interface.                                                                                                                                                                                                                                                                                                                                                                                                                                                                                                                                                                                                                                                                                                                                                                                                             |
| <code>&lt;interface-type&gt;</code> |      | Enter to configure the type of interface to be displayed. The types of interface are as follows: <ul style="list-style-type: none"> <li>• fastethernet – Officially referred to as 100BASE-T standard. This is a version of LAN standard architecture that supports data transfer up to 100 Megabits per second.</li> <li>• gigabitethernet – A version of LAN standard architecture that supports data transfer up to 1 Gigabit per second.</li> <li>• extreme-ethernet – A version of Ethernet that supports data transfer up to 10 Gigabits per second. This Ethernet supports only full duplex links..</li> <li>• port-channel – Logical interface that represents an aggregator which contains several ports aggregated together.</li> <li>• sisp – &lt;ifnum&gt; interface number</li> <li>• pw -&lt;ifnum&gt; interface number</li> <li>• ac - &lt;ifnum&gt; interface number</li> </ul> |
| <code>&lt;interface-id&gt;</code>   |      | Enter to configure a specific slot number / port number to be displayed. For interface type other than internal-lan, virtual and port-channel, the format is <0>/<1-28> without spaces between Slot Number/Port Number. For example, 0/1. Only i-lan, virtual or port-channel ID is provided, for interface types internal-lan, virtual and port-channel.                                                                                                                                                                                                                                                                                                                                                                                                                                                                                                                                       |
| <code>switch</code>                 |      | Enter to specify switch name.                                                                                                                                                                                                                                                                                                                                                                                                                                                                                                                                                                                                                                                                                                                                                                                                                                                                   |
| <code>&lt;context_name&gt;</code>   |      | Enter to specify context name.                                                                                                                                                                                                                                                                                                                                                                                                                                                                                                                                                                                                                                                                                                                                                                                                                                                                  |

## Mode

Privileged EXEC Mode

## Examples

```
iS5Comm# show port-security interface gigabitethernet 0/1
```

```

interface gigabitethernet 0/1

```

```
MAC learning : enable
port security violation type : Shutdown
```

iS5Comm# show port-security

```

interface gigabitethernet 0/2

Port-Security Status : enable
port security violation type : Shutdown
Port Mac Learning Limit Status : disabled
Security Violation Count : 0
Port-security trap-syslog Status : DISABLED
```

## 21.38. show unicast port-security

To display port security related information for the specified *MAC* address and interface, use the command **show unicast port-security** in Privileged EXEC Mode.

### show unicast port-security

```
show unicast port-security [address <aa:aa:aa:aa:aa:aa>] [{interface <inter-
face-type> <interface-id> | switch <context_name>}]
```



## Parameters

| Parameter           | Type | Description                                                                                                                                                                                                                                                                                                                                                                                                                                                                                                                                                                                                                                                                                                                                                                                                                                                                                    |
|---------------------|------|------------------------------------------------------------------------------------------------------------------------------------------------------------------------------------------------------------------------------------------------------------------------------------------------------------------------------------------------------------------------------------------------------------------------------------------------------------------------------------------------------------------------------------------------------------------------------------------------------------------------------------------------------------------------------------------------------------------------------------------------------------------------------------------------------------------------------------------------------------------------------------------------|
| address             |      | Enter to display static unicast MAC address for the specified interface                                                                                                                                                                                                                                                                                                                                                                                                                                                                                                                                                                                                                                                                                                                                                                                                                        |
| <aa:aa:aa:aa:aa:aa> |      | Enter a MAC address to identify the interface to be displayed.                                                                                                                                                                                                                                                                                                                                                                                                                                                                                                                                                                                                                                                                                                                                                                                                                                 |
| interface           |      | Enter to display the port security related information for the specified interface.                                                                                                                                                                                                                                                                                                                                                                                                                                                                                                                                                                                                                                                                                                                                                                                                            |
| <interface-type>    |      | Enter to configure the type of interface to be displayed. The types of interface are as follows: <ul style="list-style-type: none"> <li>• fastethernet – Officially referred to as 100BASE-T standard. This is a version of LAN standard architecture that supports data transfer up to 100 Megabits per second.</li> <li>• gigabitethernet – A version of LAN standard architecture that supports data transfer up to 1 Gigabit per second.</li> <li>• extreme-ethernet – A version of Ethernet that supports data transfer up to 10 Gigabits per second. This Ethernet supports only full duplex links.</li> <li>• port-channel – Logical interface that represents an aggregator which contains several ports aggregated together.</li> <li>• sisp – &lt;ifnum&gt; interface number</li> <li>• pw -&lt;ifnum&gt; interface number</li> <li>• ac - &lt;ifnum&gt; interface number</li> </ul> |
| <interface-id>      |      | Enter to configure a specific slot number / port number to be displayed. For interface type other than internal-lan, virtual and port-channel, the format is <0>/<1-28> without spaces between Slot Number/Port Number. For example, 0/1. Only i-lan, virtual or port-channel ID is provided, for interface types internal-lan, virtual and port-channel.                                                                                                                                                                                                                                                                                                                                                                                                                                                                                                                                      |
| switch              |      | Enter to specify switch name.                                                                                                                                                                                                                                                                                                                                                                                                                                                                                                                                                                                                                                                                                                                                                                                                                                                                  |
| <context_name>      |      | Enter to specify context name.                                                                                                                                                                                                                                                                                                                                                                                                                                                                                                                                                                                                                                                                                                                                                                                                                                                                 |

## Mode

Privileged EXEC Mode

## Examples

```
iS5Comm# show unicast port-security
```

```
Vlan Mac Address RecvPort Status Connection ID Ports
---- -
1 00:11:22:33:44:55 Permanent Gi0/1
```

```
Total Mac Addresses displayed: 1
```

```
iS5Comm# show unicast port-security address 00:11:22:33:44:55
```

```
Vlan Mac Address RecvPort Status Connection ID Ports
---- -
1 00:11:22:33:44:55 Permanent Gi0/1
```

```
Total Mac Addresses displayed: 1
```

## 21.39. show user-defined TPID

To display the configured user defined *TPID* allowable for Port/ Egress *VLAN*, use the command **show user-defined TPID** in Privileged EXEC Mode.

### show user-defined TPID

```
show user-defined TPID [switch <context_name>]
```

### Parameters

| Parameter      | Type | Description                    |
|----------------|------|--------------------------------|
| switch         |      | Enter to specify switch name.  |
| <context_name> |      | Enter to specify context name. |

### Mode

Privileged EXEC Mode

### Prerequisites

This command can be executed in the switch, only if the VLAN switching feature is started and enabled in the switch.

## Examples

```
iS5Comm# show user-defined TPID switch default
```

```
 User Defined TPID : 0xc8
```

## 21.40. show vlan

To display all types of *VLAN* information, use the command **show vlan** in Privileged EXEC Mode.

### show vlan

```
show vlan [brief | id <vlan-range> | summary | ascending] [switch <context_name>]
```

```
 [device {capabilities | info [switch <context_name>]}
```

```
 [learning params [vlan <vlan-range>] [switch <string(32)>]
```

```
 [port config [{port {Extreme-Ethernet <interface-id> | gigabitethernet <interface-id>} | switch <context_name>]
```

```
 protocols-group [switch <context_name>]
```

```
 statistics [vlan <vlan-range>] [switch <context_name>]
```

```
 traffic-classes [{port {Extreme-Ethernet <interface-id> | gigabitethernet <interface-id>} | switch <context_name>}]
```

## Parameters

| Parameter      | Type | Description                                                                                                                                                                                                                                                                                                                                                                   |
|----------------|------|-------------------------------------------------------------------------------------------------------------------------------------------------------------------------------------------------------------------------------------------------------------------------------------------------------------------------------------------------------------------------------|
| brief          |      | Enter to display the VLAN entry related information of all active VLANs and VLANs (that are not active) for which the port details are configured.                                                                                                                                                                                                                            |
| id             |      | Enter to display the VLAN entry related information for specified VLANs alone.                                                                                                                                                                                                                                                                                                |
| <vlan-range>   |      | Enter a value that denotes the VLAN ID range for which the information needs to be displayed. This value ranges from 1 to 4094. For example, the value is provided as 4000-4010 to display the information for VLANs IDs from 4000 to 4010. The information is displayed only for the active VLANs and VLANs (that are not active) for which the port details are configured. |
| summary        |      | Enter to display only the total number of VLANs existing in the switch. This includes only the active VLANs and VLANs (that are not active) for which the port details are configured. The VLAN entry related information is not displayed.                                                                                                                                   |
| ascending      |      | Enter to display the VLAN entry related information in ascending order.                                                                                                                                                                                                                                                                                                       |
| switch         |      | Enter to specify switch name.                                                                                                                                                                                                                                                                                                                                                 |
| <context_name> |      | Enter to specify context name.                                                                                                                                                                                                                                                                                                                                                |
| device         |      | Enter to display VLAN global information / capabilities that are applicable to all VLANs created in the switch / all contexts.                                                                                                                                                                                                                                                |
| capabilities   |      | Enter to display only the list of VLAN features such as traffic class feature, supported in the switch / all contexts..                                                                                                                                                                                                                                                       |
| info           |      | Enter to display the VLAN global information that is applicable to all VLANs created in the switch / all contexts.                                                                                                                                                                                                                                                            |
| switch         |      | Enter to specify switch name.                                                                                                                                                                                                                                                                                                                                                 |
| <context_name> |      | Enter to specify context name.                                                                                                                                                                                                                                                                                                                                                |
| learning       |      | Enter to display the VLAN learning parameter details for all active VLANs and VLANs (that are not active) for which the port details are configured, available in all contexts / in the switch.                                                                                                                                                                               |
| params         |      | Enter to display VLAN learning status and learning limit configured for the specified VLAN range (ex.1-4) in the given context.                                                                                                                                                                                                                                               |
| vlan           |      | Enter to display the protocol specific configuration for VLAN.                                                                                                                                                                                                                                                                                                                |

| Parameter        | Type | Description                                                                                                                                                                                                                                                                                                                                                                                                                                                                                                    |
|------------------|------|----------------------------------------------------------------------------------------------------------------------------------------------------------------------------------------------------------------------------------------------------------------------------------------------------------------------------------------------------------------------------------------------------------------------------------------------------------------------------------------------------------------|
| <vlan-range>     |      | Enter a value that denotes the VLAN ID range for which the information needs to be displayed. This value ranges from 1 to 4094. For example, the value is provided as 4000-4010 to display the information for VLANs IDs from 4000 to 4010. The information is displayed only for the active VLANs and VLANs (that are not active) for which the port details are configured.                                                                                                                                  |
| switch           |      | Enter to specify switch name.                                                                                                                                                                                                                                                                                                                                                                                                                                                                                  |
| <context_name>   |      | Enter to specify context name.                                                                                                                                                                                                                                                                                                                                                                                                                                                                                 |
| port             |      | Enter to display the VLAN related port specific information for all interfaces available in the switch / all contexts.                                                                                                                                                                                                                                                                                                                                                                                         |
| config           |      | Enter to display the VLAN related port specific information for all interfaces available in the switch / all contexts. The information contains PVID, acceptable frame type, port mode, filtering utility criteria, default priority value and status of ingress filtering feature, GVRP module, GMRP module, restricted VLAN registration feature, restricted group registration feature, MAC-based VLAN membership, subnet based VLAN membership, protocol-VLAN based membership and port protected feature. |
| Extreme-Ethernet |      | Enter to configure the Extreme-Ethernet type of interface to be displayed. Extreme Ethernet is a version of Ethernet that supports data transfer up to 10 Gigabits per second and only full duplex links                                                                                                                                                                                                                                                                                                       |
| <interface-id>   |      | Enter to configure a specific slot number / port number to be displayed. The format is <0>/<1-28> without spaces between Slot Number/Port Number. For example, 0/1.                                                                                                                                                                                                                                                                                                                                            |
| Gigabitethernet  |      | Enter to configure gigabitethernet type of interface to be displayed. Gigabitethernet is a version of LAN standard architecture that supports data transfer up to 1 Gigabit per second.                                                                                                                                                                                                                                                                                                                        |
| <interface-id>   |      | Enter to configure a specific slot number / port number to be displayed. The format is <0>/<1-28> without spaces between Slot Number/Port Number. For example, 0/1.                                                                                                                                                                                                                                                                                                                                            |
| switch           |      | Enter to specify switch name.                                                                                                                                                                                                                                                                                                                                                                                                                                                                                  |
| <context_name>   |      | Enter to specify context name.                                                                                                                                                                                                                                                                                                                                                                                                                                                                                 |

| Parameter        | Type | Description                                                                                                                                                                                                                                                                                                                                                                   |
|------------------|------|-------------------------------------------------------------------------------------------------------------------------------------------------------------------------------------------------------------------------------------------------------------------------------------------------------------------------------------------------------------------------------|
| protocols-group  |      | Enter to display all entries in the protocol group table. These entries contain protocol group information of the switch / all contexts. The information contains ID of a group, protocol assigned to the group, and frame type assigned to the group.                                                                                                                        |
| switch           |      | Enter to specify switch name.                                                                                                                                                                                                                                                                                                                                                 |
| <context_name>   |      | Enter to specify context name.                                                                                                                                                                                                                                                                                                                                                |
| statistics       |      | Enter to display information about Protocol specific statistics for VLAN.                                                                                                                                                                                                                                                                                                     |
| vlan             |      | Enter to display the protocol specific configuration for VLAN.                                                                                                                                                                                                                                                                                                                |
| <vlan-range>     |      | Enter a value that denotes the VLAN ID range for which the information needs to be displayed. This value ranges from 1 to 4094. For example, the value is provided as 4000-4010 to display the information for VLANs IDs from 4000 to 4010. The information is displayed only for the active VLANs and VLANs (that are not active) for which the port details are configured. |
| switch           |      | Enter to specify switch name.                                                                                                                                                                                                                                                                                                                                                 |
| <context_name>   |      | Enter to specify context name.                                                                                                                                                                                                                                                                                                                                                |
| traffic-classes  |      | Enter to display the evaluated user priority and traffic class mapping information of all interfaces available in the switch / all context                                                                                                                                                                                                                                    |
| port             |      | Enter to display the evaluated user priority and traffic class mapping information of the specified interface.                                                                                                                                                                                                                                                                |
| Extreme-Ethernet |      | Enter to configure the Extreme-Ethernet type of interface to be displayed. Extreme Ethernet is a version of Ethernet that supports data transfer up to 10 Gigabits per second and only full duplex links                                                                                                                                                                      |
| <interface-id>   |      | Enter to configure a specific slot number / port number to be displayed. The format is <0>/<1-28> without spaces between Slot Number/Port Number. For example, 0/1.                                                                                                                                                                                                           |
| Gigabitethernet  |      | Enter to configure gigabitethernet type of interface to be displayed. Gigabitethernet is a version of LAN standard architecture that supports data transfer up to 1 Gigabit per second.                                                                                                                                                                                       |
| <interface-id>   |      | Enter to configure a specific slot number / port number to be displayed. The format is <0>/<1-28> without spaces between Slot Number/Port Number. For example, 0/1.                                                                                                                                                                                                           |

| Parameter      | Type | Description                    |
|----------------|------|--------------------------------|
| switch         |      | Enter to specify switch name.  |
| <context_name> |      | Enter to specify context name. |

## Mode

Privileged EXEC Mode

## Prerequisites

This command can be executed in the switch, only if the VLAN switching feature is started and enabled in the switch.

## Examples

iS5Comm# show vlan

```
Vlan database

Vlan ID : 1
Member Ports : Gi0/1, Gi0/2, Gi0/3, Gi0/4, Gi0/5, Gi0/6
 Gi0/7, Gi0/8, Gi0/9, Gi0/10, Gi0/11, Gi0/12
 Gi0/13, Gi0/14, Gi0/15, Gi0/16, Gi0/17, Gi0/18
 Gi0/19, Gi0/20, Gi0/21, Gi0/22, Gi0/23, Gi0/24
 Ex0/1, Ex0/2, Ex0/3, Ex0/4
Untagged Ports : Gi0/1, Gi0/2, Gi0/3, Gi0/4, Gi0/5, Gi0/6
 Gi0/7, Gi0/8, Gi0/9, Gi0/10, Gi0/11, Gi0/12
 Gi0/13, Gi0/14, Gi0/15, Gi0/16, Gi0/17, Gi0/18
 Gi0/19, Gi0/20, Gi0/21, Gi0/22, Gi0/23, Gi0/24
 Ex0/1, Ex0/2, Ex0/3, Ex0/4
Forbidden Ports : None
Name : Status : Permanent
Egress Ethertype : 0x8100
Service Loopback Status : Disabled
```

iS5Comm# show vlan device info

```
Vlan device configurations

Vlan Status : Enabled
Vlan Oper status : Enabled
Gvrp status : Disabled
```

```

Gmrp status : Disabled
Gvrp Oper status : Disabled
Gmrp Oper status : Disabled
Mac-Vlan Status : Disabled
Subnet-Vlan Status : Disabled
Protocol-Vlan Status : Enabled
Base-Bridge Mode : Vlan Aware Bridge
Traffic Classes : Enabled
Vlan Operational Learning Mode : IVL
Hybrid Default Learning Mode : IVL
Version number : 1
Max Vlan id : 4094
Max supported vlans : 4094
Global mac learning status : Enabled
Filtering Utility Criteria : Enabled

```

#### iS5Comm# show vlan device capabilities

```

Vlan device capabilities

Extended filtering services
Traffic classes
Static Entry Individual port
IVL capable
SVL capable
Hybrid capable
Configurable Pvid Tagging

```

#### iS5Comm# show vlan learning params

```

Unicast MAC Learning Parameters

Vlan Id : 1
Mac Learning Admin-Status : Default
Mac Learning Oper-Status : Enable
Mac Learning Limit : 1500

```

#### iS5Comm# show vlan protocols-group

```

Protocol Group Table -----

Frame Type Protocol Group

```

#### iS5Comm# show vlan traffic-classes port gi 0/1



Max Vlan Traffic Class table

```

Port Max Traffic Class

Gi0/1 7
```

Traffic Class table

```

Port Priority Traffic Class

Gi0/1 0 1
Gi0/1 1 0
Gi0/1 2 2
Gi0/1 3 2
Gi0/1 4 3
Gi0/1 5 4
Gi0/1 6 5
Gi0/1 7 6
```

iS5Comm# show vlan traffic-classes

Max Vlan Traffic Class table

```

Port Max Traffic Class

Gi0/1 7
Gi0/2 8
Gi0/3 8
Gi0/4 8
Gi0/5 8
Gi0/6 8
Gi0/7 8
Gi0/8 8
Gi0/9 8
Gi0/10 8
Gi0/11 8
Gi0/12 8
Gi0/13 8
Gi0/14 8
Gi0/15 8
Gi0/16 8
Gi0/17 8
Gi0/18 8
```

```

Gi0/19 8
Gi0/20 8
Gi0/21 8
Gi0/22 8
Gi0/23 8
Gi0/24 8
Ex0/1 8
Ex0/2 8
Ex0/3 8
Ex0/4 8

```

## Traffic Class table

```

Port Priority Traffic Class

Gi0/1 0 1
Gi0/1 1 0
Gi0/1 2 2
Gi0/1 3 2
Gi0/1 4 3
Gi0/1 5 4
Gi0/1 6 5
Gi0/1 7 6
Gi0/2 0 2
Gi0/2 1 0
Gi0/2 2 1
Gi0/2 3 3
Gi0/2 4 4
Gi0/2 5 5
Gi0/2 6 6
Gi0/2 7 7
Gi0/3 0 2
Gi0/3 1 0
Gi0/3 2 1
Gi0/3 3 3
Gi0/3 4 4
Gi0/3 5 5
Gi0/3 6 6
Gi0/3 7 7
Gi0/4 0 2

```

---

|       |   |   |
|-------|---|---|
| Gi0/4 | 1 | 0 |
| Gi0/4 | 2 | 1 |
| Gi0/4 | 3 | 3 |
| Gi0/4 | 4 | 4 |
| Gi0/4 | 5 | 5 |
| Gi0/4 | 6 | 6 |
| Gi0/4 | 7 | 7 |
| Gi0/5 | 0 | 2 |
| Gi0/5 | 1 | 0 |
| Gi0/5 | 2 | 1 |
| Gi0/5 | 3 | 3 |
| Gi0/5 | 4 | 4 |
| Gi0/5 | 5 | 5 |
| Gi0/5 | 6 | 6 |
| Gi0/5 | 7 | 7 |
| Gi0/6 | 0 | 2 |
| Gi0/6 | 1 | 0 |
| Gi0/6 | 2 | 1 |
| Gi0/6 | 3 | 3 |
| Gi0/6 | 4 | 4 |
| Gi0/6 | 5 | 5 |
| Gi0/6 | 6 | 6 |
| Gi0/6 | 7 | 7 |
| Gi0/7 | 0 | 2 |
| Gi0/7 | 1 | 0 |
| Gi0/7 | 2 | 1 |
| Gi0/7 | 3 | 3 |
| Gi0/7 | 4 | 4 |
| Gi0/7 | 5 | 5 |
| Gi0/7 | 6 | 6 |
| Gi0/7 | 7 | 7 |
| Gi0/8 | 0 | 2 |
| Gi0/8 | 1 | 0 |
| Gi0/8 | 2 | 1 |
| Gi0/8 | 3 | 3 |
| Gi0/8 | 4 | 4 |
| Gi0/8 | 5 | 5 |
| Gi0/8 | 6 | 6 |
| Gi0/8 | 7 | 7 |
| Gi0/9 | 0 | 2 |

---

|        |   |   |
|--------|---|---|
| Gi0/9  | 1 | 0 |
| Gi0/9  | 2 | 1 |
| Gi0/9  | 3 | 3 |
| Gi0/9  | 4 | 4 |
| Gi0/9  | 5 | 5 |
| Gi0/9  | 6 | 6 |
| Gi0/9  | 7 | 7 |
| Gi0/10 | 0 | 2 |
| Gi0/10 | 1 | 0 |
| Gi0/10 | 2 | 1 |
| Gi0/10 | 3 | 3 |
| Gi0/10 | 4 | 4 |
| Gi0/10 | 5 | 5 |
| Gi0/10 | 6 | 6 |
| Gi0/10 | 7 | 7 |
| Gi0/11 | 0 | 2 |
| Gi0/11 | 1 | 0 |
| Gi0/11 | 2 | 1 |
| Gi0/11 | 3 | 3 |
| Gi0/11 | 4 | 4 |
| Gi0/11 | 5 | 5 |
| Gi0/11 | 6 | 6 |
| Gi0/11 | 7 | 7 |
| Gi0/12 | 0 | 2 |
| Gi0/12 | 1 | 0 |
| Gi0/12 | 2 | 1 |
| Gi0/12 | 3 | 3 |
| Gi0/12 | 4 | 4 |
| Gi0/12 | 5 | 5 |
| Gi0/12 | 6 | 6 |
| Gi0/12 | 7 | 7 |
| Gi0/13 | 0 | 2 |
| Gi0/13 | 1 | 0 |
| Gi0/13 | 2 | 1 |
| Gi0/13 | 3 | 3 |
| Gi0/13 | 4 | 4 |
| Gi0/13 | 5 | 5 |
| Gi0/13 | 6 | 6 |
| Gi0/13 | 7 | 7 |
| Gi0/14 | 0 | 2 |

---

|        |   |   |
|--------|---|---|
| Gi0/14 | 1 | 0 |
| Gi0/14 | 2 | 1 |
| Gi0/14 | 3 | 3 |
| Gi0/14 | 4 | 4 |
| Gi0/14 | 5 | 5 |
| Gi0/14 | 6 | 6 |
| Gi0/14 | 7 | 7 |
| Gi0/15 | 0 | 2 |
| Gi0/15 | 1 | 0 |
| Gi0/15 | 2 | 1 |
| Gi0/15 | 3 | 3 |
| Gi0/15 | 4 | 4 |
| Gi0/15 | 5 | 5 |
| Gi0/15 | 6 | 6 |
| Gi0/15 | 7 | 7 |
| Gi0/16 | 0 | 2 |
| Gi0/16 | 1 | 0 |
| Gi0/16 | 2 | 1 |
| Gi0/16 | 3 | 3 |
| Gi0/16 | 4 | 4 |
| Gi0/16 | 5 | 5 |
| Gi0/16 | 6 | 6 |
| Gi0/16 | 7 | 7 |
| Gi0/17 | 0 | 2 |
| Gi0/17 | 1 | 0 |
| Gi0/17 | 2 | 1 |
| Gi0/17 | 3 | 3 |
| Gi0/17 | 4 | 4 |
| Gi0/17 | 5 | 5 |
| Gi0/17 | 6 | 6 |
| Gi0/17 | 7 | 7 |
| Gi0/18 | 0 | 2 |
| Gi0/18 | 1 | 0 |
| Gi0/18 | 2 | 1 |
| Gi0/18 | 3 | 3 |
| Gi0/18 | 4 | 4 |
| Gi0/18 | 5 | 5 |
| Gi0/18 | 6 | 6 |
| Gi0/18 | 7 | 7 |
| Gi0/19 | 0 | 2 |

---

|        |   |   |
|--------|---|---|
| Gi0/19 | 1 | 0 |
| Gi0/19 | 2 | 1 |
| Gi0/19 | 3 | 3 |
| Gi0/19 | 4 | 4 |
| Gi0/19 | 5 | 5 |
| Gi0/19 | 6 | 6 |
| Gi0/19 | 7 | 7 |
| Gi0/20 | 0 | 2 |
| Gi0/20 | 1 | 0 |
| Gi0/20 | 2 | 1 |
| Gi0/20 | 3 | 3 |
| Gi0/20 | 4 | 4 |
| Gi0/20 | 5 | 5 |
| Gi0/20 | 6 | 6 |
| Gi0/20 | 7 | 7 |
| Gi0/21 | 0 | 2 |
| Gi0/21 | 1 | 0 |
| Gi0/21 | 2 | 1 |
| Gi0/21 | 3 | 3 |
| Gi0/21 | 4 | 4 |
| Gi0/21 | 5 | 5 |
| Gi0/21 | 6 | 6 |
| Gi0/21 | 7 | 7 |
| Gi0/22 | 0 | 2 |
| Gi0/22 | 1 | 0 |
| Gi0/22 | 2 | 1 |
| Gi0/22 | 3 | 3 |
| Gi0/22 | 4 | 4 |
| Gi0/22 | 5 | 5 |
| Gi0/22 | 6 | 6 |
| Gi0/22 | 7 | 7 |
| Gi0/23 | 0 | 2 |
| Gi0/23 | 1 | 0 |
| Gi0/23 | 2 | 1 |
| Gi0/23 | 3 | 3 |
| Gi0/23 | 4 | 4 |
| Gi0/23 | 5 | 5 |
| Gi0/23 | 6 | 6 |
| Gi0/23 | 7 | 7 |
| Gi0/24 | 0 | 2 |

|        |   |   |
|--------|---|---|
| Gi0/24 | 1 | 0 |
| Gi0/24 | 2 | 1 |
| Gi0/24 | 3 | 3 |
| Gi0/24 | 4 | 4 |
| Gi0/24 | 5 | 5 |
| Gi0/24 | 6 | 6 |
| Gi0/24 | 7 | 7 |
| Ex0/1  | 0 | 2 |
| Ex0/1  | 1 | 0 |
| Ex0/1  | 2 | 1 |
| Ex0/1  | 3 | 3 |
| Ex0/1  | 4 | 4 |
| Ex0/1  | 5 | 5 |
| Ex0/1  | 6 | 6 |
| Ex0/1  | 7 | 7 |

## 21.41. shutdown garp

To shut down the Generic Attribute Registration Protocol ( *GARP*) module in the switch on all ports and release all memories used for the *GARP* module, use the command **shutdown garp** in Global Configuration Mode. The no form of the command starts and enables the *GARP* module in the switch on all ports. *GMRP* and *GVRP* are enabled explicitly, once the disabled *GARP* is enabled. *GARP* Multicast Registration Protocol ( *GMRP*) is a Generic Attribute Registration Protocol application that provides a constrained multicast flooding facility similar to *IGMP* snooping. *GVRP* (*GARP* VLAN Registration Protocol or Generic *VLAN* Registration Protocol) is the *GARP* -based protocol mechanism, maintaining the *VLAN* information in the switch dynamically. *GARP* is used to synchronize attribute information between the bridges in the LAN. It allows registering and unregistering of attribute values, which are disseminated into the backbone of the *GARP* participants.

### shutdown garp

```
shutdown garp
```

### Mode

Global Configuration Mode

### Default

*GARP* module is started and enabled in the switch on all ports.

## Prerequisites

- GARP can be started, only if VLAN switching feature is started in the switch.
- GARP can be shutdown, only if GVRP and/or GMRP are disabled.

## Examples

```
iS5Comm (config)# shutdown garp
```

## 21.42. shutdown vlan

To shut down the *VLAN* switching feature in the switch and release all resources allocated to the *VLAN*, use the command **shutdown vlan** in Global Configuration Mode. The no form of the command starts and enables *VLAN* switching feature in the switch. The resources required for the *VLAN* feature are also allocated to it. The *VLAN* feature allows to segment logically a shared media *VLAN* for forming virtual work groups.

**shutdown vlan**

**no shutdown vlan**

### Mode

Global Configuration Mode

### Default

VLAN switching feature is started and enabled in the switch.

## Prerequisites

VLAN module can be shut down, only if the GARP module is shutdown. VLAN switching configuration is not allowed in the switch if the base bridge mode is set as transparent bridging.

## Examples

```
iS5Comm(config)# no shutdown vlan
```

## 21.43. switchport

To configure switch port related information, use the command **switchport** in Interface Configuration Mode. The no form of the command resets the configuration to default or disables the features.



**switchport**

```
switchport [dot1q] {ingress | egress} ether-type <size(1-65535)>
 [acceptable-frame-type {all | tagged | untaggedAndPrioritytagged}]
 [access vlan <vlan-id(1-4094)>]
 [egress TPID-type {portbased | vlanbased}]
 [encapsulation dot1ad vlan-type {tpid1 <CTAG | STAG > [tpid2] [tpid3]}]
 [filtering-utility-criteria {default | enhanced}] [ingress-filter]
 [map protocols-group <Group id integer(0-2147483647)> vlan
<vlan-id/vfi_id>]
 [mode {access | trunk | hybrid | {dynamic | tagged {auto | desirable}}}]
 [port-security {unicast <aa:aa:aa:aa:aa:aa> vlan <vlan-id/vfi_id> | viola-
tion {{protect | restrict | shutdown}| [recovery { automatic recovery-time
<integer 0-300> | manual }]]]
 [priority default <priority value(0-7)>]
 [protected]
 [pvid vlan <vlan-id/vfi_id>]
 [unicast-mac learning {enable | disable}]
```

**no switchport**

```
no switchport [dot1q] {ingress | egress} ether-type} [acceptable-frame-type]
 [access vlan] [egress TPID-type]
 [encapsulation dot1ad vlan-type [tpid1] [tpid2] [tpid3]}] [ingress-filter]
 [map protocols-group <Group id integer(0-2147483647)> vlan
<vlan-id(1-4094)>]
 [mode] [priority default <priority value(0-7)>] [protected] [pvid]
```

## Parameters

| Parameter             | Type    | Description                                                                                                                                                                                                                                                                                                                                                                                                                                                                                                                                                           |
|-----------------------|---------|-----------------------------------------------------------------------------------------------------------------------------------------------------------------------------------------------------------------------------------------------------------------------------------------------------------------------------------------------------------------------------------------------------------------------------------------------------------------------------------------------------------------------------------------------------------------------|
| dot1q                 |         | Enter to put an interface that is in Layer 3 mode into Layer 2 mode for Layer 2 configuration and configure port Ingress/Egress Ethertype. Dot1q shows tunneling related information.<br><b>NOTE:</b> This command executes only if the bridge port type is set as CBP (Customer Backbone Port).                                                                                                                                                                                                                                                                      |
| ingress               |         | Enter to configure ingress Ethertype and hence allows the service provider to support tunneling. Packets received on a port are considered tagged when the packet Ethertype matches the Ethertype configured on the port.                                                                                                                                                                                                                                                                                                                                             |
| egress                |         | Enter to configure egress Ethertype. This object indicates the Ethertype of the S-VLAN tag that has to be applied for all outgoing packets on this port. If a valid value is in this object, all packets which are outgoing on this port will contain the Ethertype as configured in this object                                                                                                                                                                                                                                                                      |
| Ethertype             |         | Enter to configure the size of Ethertype.                                                                                                                                                                                                                                                                                                                                                                                                                                                                                                                             |
| <size(1-65535)>       | Integer | Enter a value for Ethertype. This value ranges from 1 to 65535 with a default of 33024.                                                                                                                                                                                                                                                                                                                                                                                                                                                                               |
| <vlan-id(1-4094)>     | Integer | Enter a value for VLAN-ID start of range. This value ranges from 1 to 4094.                                                                                                                                                                                                                                                                                                                                                                                                                                                                                           |
| acceptable-frame-type |         | Enter to configure the type of VLAN dependent BPDU frames such as GMRP BPDU that the port should accept during the VLAN membership configuration.                                                                                                                                                                                                                                                                                                                                                                                                                     |
| all                   |         | Enter to configure the acceptable frame type as all. All tagged, untagged and priority tagged frames received on the port are accepted and subjected to ingress filtering.                                                                                                                                                                                                                                                                                                                                                                                            |
| tagged                |         | Enter to configure the acceptable frame type as tagged. Only the tagged frames received on the port are accepted and subjected to ingress filtering. The untagged and priority tagged frames received on the port are rejected. For ports in PBB bridge mode, for the following Port types, the TAG descriptions are as follows <ul style="list-style-type: none"> <li>• for CNP S Tagged - S-Tag</li> <li>• for CNP C Tagged - C-Tag</li> <li>• for CNP Port Based - S-Tag</li> <li>• PIP - I-Tag</li> <li>• CBP - I-Tag</li> <li>• PNP - B-tab or S-Tag.</li> </ul> |

| Parameter                 | Type    | Description                                                                                                                                                                                                                                                                                                                                                                                                                                                                                                                                                                                                                                                                                                                                                                                                                                              |
|---------------------------|---------|----------------------------------------------------------------------------------------------------------------------------------------------------------------------------------------------------------------------------------------------------------------------------------------------------------------------------------------------------------------------------------------------------------------------------------------------------------------------------------------------------------------------------------------------------------------------------------------------------------------------------------------------------------------------------------------------------------------------------------------------------------------------------------------------------------------------------------------------------------|
| untaggedAndPrioritytagged |         | Enter to configure the acceptable frame type as untagged and priority tagged. Only the untagged or priority tagged frames received on the port are accepted and subjected to ingress filtering. The tagged frames received on the port are rejected.                                                                                                                                                                                                                                                                                                                                                                                                                                                                                                                                                                                                     |
| access                    |         | Enter to configure the PVID (Port VLAN Identifier) on a port.                                                                                                                                                                                                                                                                                                                                                                                                                                                                                                                                                                                                                                                                                                                                                                                            |
| vlan                      |         | Enter to configure the PVID (Port VLAN Identifier) on a port.                                                                                                                                                                                                                                                                                                                                                                                                                                                                                                                                                                                                                                                                                                                                                                                            |
| <vlan-id (1-4094)>        | Integer | <p>Enter a value for PVID (Port VLAN Identifier). This value ranges from 1 to 4094.</p> <p><b>NOTE:</b> If the frame (untagged/priority tagged/customer VLAN tagged) is received on a "tunnel" port, then the default PVID associated with the port is used</p> <p><b>NOTE:</b> If the received frame cannot be classified as MAC-based or port-and-protocol-based, then the PVID associated with the port is used.</p> <p><b>NOTE:</b> For ports in PBB bridge mode, PVID can be configured on CNP (Customer Network Port) and CBP (Customer Backbone Port).</p> <p><b>NOTE:</b> Usage is based on acceptable frame type of the port. Packets will be either dropped or accepted at ingress. Once a packet is accepted, if the packet is having a tag, it will be processed against that tag. Otherwise, the packet will be processed against PVID.</p> |
| egress                    |         | Enter to set the egress TPID-type for the port                                                                                                                                                                                                                                                                                                                                                                                                                                                                                                                                                                                                                                                                                                                                                                                                           |
| TPID-type                 |         | Enter to configure the egress TPID-type on a port                                                                                                                                                                                                                                                                                                                                                                                                                                                                                                                                                                                                                                                                                                                                                                                                        |
| portbased                 |         | Enter to set egress TPID-type as portbased. The egress TPID of the packet is selected from the Egress Port Table.                                                                                                                                                                                                                                                                                                                                                                                                                                                                                                                                                                                                                                                                                                                                        |
| vlanbased                 |         | Enter to configure the egress TPID-type as vlan-based. The egress TPID is selected from the egress VLAN Table.                                                                                                                                                                                                                                                                                                                                                                                                                                                                                                                                                                                                                                                                                                                                           |
| encapsulation             |         | Enter to configure standard/user defined TPID for a port.                                                                                                                                                                                                                                                                                                                                                                                                                                                                                                                                                                                                                                                                                                                                                                                                |
| dot1ad                    |         | Enter for DOT1AD configuration. IEEE 802.1ad implements standard protocols for double tagging of data. The data traffic coming from the customer side are double tagged in the provider network where the inner tag is the customer-tag (C-tag) and the outer tag is the provider-tag (S-tag). A service provider's Layer 2 network transports the subscriber's Layer 2 protocols transparently.                                                                                                                                                                                                                                                                                                                                                                                                                                                         |
| vlan-type                 |         | Enter to set VLAN TYPE.                                                                                                                                                                                                                                                                                                                                                                                                                                                                                                                                                                                                                                                                                                                                                                                                                                  |

| Parameter                  | Type | Description                                                                                                                                                                                                                                                                                                                                                                                                                                                                                                                                                |
|----------------------------|------|------------------------------------------------------------------------------------------------------------------------------------------------------------------------------------------------------------------------------------------------------------------------------------------------------------------------------------------------------------------------------------------------------------------------------------------------------------------------------------------------------------------------------------------------------------|
| tpid1                      |      | Enter to configure standard allowable TPID for a Port, either C-Tag or S-Tag.<br><b>NOTE:</b> The TPID1 value should be configured as a value different from the default ingress Ethertype. If the ingress Ethertype is 0x8808, then TPID CTAG should be configured using this command. if the ingress Ethertype is 0x8100, TPID STAG should be configured.                                                                                                                                                                                                |
| CTAG                       |      | Enter to configure standard allowable TPID for C-tag (i.e. inner or Customer tag) is used to uniquely identify a customer and typically is used on a per port basis. This indicates the secondary Ethertype that is allowable for a port. The configurable value for this object is 0x8100. For Ethernets numbers see <a href="https://www.iana.org/assignments/ieee-802-numbers/ieee-802-numbers.xhtml#ieee-802-numbers-1">https://www.iana.org/assignments/ieee-802-numbers/ieee-802-numbers.xhtml#ieee-802-numbers-1</a>                                |
| STAG                       |      | Enter to configure standard allowable TPID for S-TAG (i.e. outer, Service Provider tag). This indicates a secondary Ethertype that is allowable for a port. The configurable value for this object is 0x88A8.                                                                                                                                                                                                                                                                                                                                              |
| tpid2                      |      | Enter to set standard allowable TPID for a port. This indicates the standard Ethertype that is allowable for a port. The configurable value for this object is Q-in-Q Ethertype [0x9100].                                                                                                                                                                                                                                                                                                                                                                  |
| tpid3                      |      | Enter to configure the user defined allowable TPID for a port.                                                                                                                                                                                                                                                                                                                                                                                                                                                                                             |
| filtering-utility-criteria |      | Enter to configure filtering utility criteria for the port. This utility criteria are used to reduce the capacity requirement of the filtering database and to reduce the time for which service is affected, by retaining the filtering information learnt prior to a change in the physical topology of the network.<br><b>NOTE:</b> The filtering utility criteria cannot be configured in the switch, if the VLAN switching feature is shutdown in the switch.<br><b>NOTE:</b> This command is applicable only for the port configured as switch port. |
| default                    |      | Enter to allow learning of source MAC from a packet received on the port, only if there is at least one member port for a VLAN mentioned in the packet. This is the default option.                                                                                                                                                                                                                                                                                                                                                                        |

| Parameter                         | Type    | Description                                                                                                                                                                                                                                                                                                                                                                                                                                                                                                                                                                                                                                                                                                                                                                                                                                                                                                                                                                             |
|-----------------------------------|---------|-----------------------------------------------------------------------------------------------------------------------------------------------------------------------------------------------------------------------------------------------------------------------------------------------------------------------------------------------------------------------------------------------------------------------------------------------------------------------------------------------------------------------------------------------------------------------------------------------------------------------------------------------------------------------------------------------------------------------------------------------------------------------------------------------------------------------------------------------------------------------------------------------------------------------------------------------------------------------------------------|
| enhanced                          |         | <p>Enter to allow learning of source MAC from a packet received on the port, only if the following conditions are satisfied:</p> <ul style="list-style-type: none"> <li>At least one VLAN that uses the FID includes the reception port and at least one other Port with a port state of Learning or Forwarding in its member set.</li> <li>The operPointToPointMAC parameter is false for the reception port. Or Ingress to the VLAN is permitted through a port other than source and reception. This port can be or not be in the member set for the VLAN.</li> </ul>                                                                                                                                                                                                                                                                                                                                                                                                                |
| ingress-filter                    |         | <p>Enter to enable ingress filtering feature on the port. The ingress filtering is applied for the incoming frames received on the port. Only the incoming frames of the VLANs that have this port in its member list are accepted. This configuration does not affect VLAN independent BPDU frames such as GVRP BPDU and STP BPDU. It affects only the VLAN dependent BPDU frames GMRP BPDU. By default, the ingress filtering feature is disabled on the port.</p> <ul style="list-style-type: none"> <li><b>NOTE:</b> Prerequisites:</li> <li>This command is applicable only for the port configured as switch port.</li> <li>The ingress filtering cannot be configured on the port, if the base bridge mode is set as transparent bridging or the VLAN switching feature is shutdown in the switch.</li> <li>The ingress-filtering feature cannot be configured and is always enabled on the port, if the bridge port type is set as customer network port – S tagged.</li> </ul> |
| map                               |         | Enter to map the configured protocol group to a particular VLAN ID for an interface. This configuration is used during protocol-VLAN based membership classification.                                                                                                                                                                                                                                                                                                                                                                                                                                                                                                                                                                                                                                                                                                                                                                                                                   |
| protocols-group                   |         | Enter to map the configured protocol group to a particular VLAN ID for an interface.                                                                                                                                                                                                                                                                                                                                                                                                                                                                                                                                                                                                                                                                                                                                                                                                                                                                                                    |
| <Group id integer (0-2147483647)> | Integer | Specify a unique group ID that is already created with the specified protocol type and encapsulation frame type. This value represents a specific group that should be associated with a VID. This value ranges from 0 to 2147483647.                                                                                                                                                                                                                                                                                                                                                                                                                                                                                                                                                                                                                                                                                                                                                   |

| Parameter        | Type    | Description                                                                                                                                                                                                                                                                                                                                                                                                                                                                                                                                                                                                                                                                                                                                                                                                                                                                                                                                                                                                                                              |
|------------------|---------|----------------------------------------------------------------------------------------------------------------------------------------------------------------------------------------------------------------------------------------------------------------------------------------------------------------------------------------------------------------------------------------------------------------------------------------------------------------------------------------------------------------------------------------------------------------------------------------------------------------------------------------------------------------------------------------------------------------------------------------------------------------------------------------------------------------------------------------------------------------------------------------------------------------------------------------------------------------------------------------------------------------------------------------------------------|
| vlan             |         | <p>Enter to map the configured protocol group to the specified VLAN / VFI ID.</p> <p><b>NOTE:</b> The protocol group should have been already created with a specific protocol and encapsulation frame type combination before mapping it to a VID</p> <p><b>NOTE:</b> This command is applicable only for the port configured as switch port</p> <p><b>NOTE:</b> The protocol group mapping cannot be configured for the port, if the VLAN switching feature is shutdown in the switch.</p>                                                                                                                                                                                                                                                                                                                                                                                                                                                                                                                                                             |
| <vlan-id/vfi_id> | Integer | <p>Enter to configure the configured protocol group to the specified VLAN / VFI ID. This value ranges from 1 to 65535.</p> <ul style="list-style-type: none"> <li>• &lt;vlan -id&gt; - VLAN ID is a unique value that represents the specific VLAN. This value ranges from 1 to 4094.&lt;vfi-id&gt;. - VFI ID is a VLAN created in the system which contains Pseudo wires and Attachment Circuits as member ports . This creates a logical LAN for the VPLS service. This value ranges from 4096 to 65535.</li> </ul> <p><b>NOTE:</b> VFI IDs 4096 and 4097 are reserved identifiers used in MPLS PW.</p> <p><b>NOTE:</b> The theoretical maximum for the maximum number of VFI is 65535 but the actual number of VFI supported is a sizing constant. Based on this, the maximum number of VFI ID accepted in the management interface is restricted. For example if 100 VFIs are supported, the maximum number of VFI supported will be restricted to maximum number of VLANs + 100. An error message is displayed for any value beyond this range.</p> |
| mode             |         | <p>Enter to configure the mode of operation for a switch port. This mode defines the way of handling of traffic for VLANs.</p>                                                                                                                                                                                                                                                                                                                                                                                                                                                                                                                                                                                                                                                                                                                                                                                                                                                                                                                           |
| access           |         | <p>Enter to configure the port as access port that accepts and sends only untagged packets. This kind of port is added as a member to a specific VLAN only and carries traffic only for the VLAN to which the port is assigned. The port can be set as access port, only if the following 3 conditions are met:</p> <ul style="list-style-type: none"> <li>• The GVRP is disabled for that port.</li> <li>• Acceptable frame type is set as “untagged AND priority” tagged.</li> <li>• Port is a not a tagged member of any VLAN.</li> </ul>                                                                                                                                                                                                                                                                                                                                                                                                                                                                                                             |

| Parameter           | Type | Description                                                                                                                                                                                                                                                                                                                                                                                                                                                                |
|---------------------|------|----------------------------------------------------------------------------------------------------------------------------------------------------------------------------------------------------------------------------------------------------------------------------------------------------------------------------------------------------------------------------------------------------------------------------------------------------------------------------|
| trunk               |      | Enter to set the port as trunk port that accepts and sends only tagged frames. This kind of port is added as member of all existing VLANs and for any new VLAN created, and carries traffic for all VLANs. The trunk port accepts untagged frames too, if the acceptable frame type is set as all. The port can be set as trunk port, only if the port is not a member of untagged ports for any VLAN in the switch.                                                       |
| hybrid              |      | Enter to configure the port as hybrid port that accepts and sends both tagged and untagged frames.                                                                                                                                                                                                                                                                                                                                                                         |
| dynamic             |      | Enter to configure the mode as Dynamic Mode. The Dynamic Mode can be auto and desirable.                                                                                                                                                                                                                                                                                                                                                                                   |
| auto                |      | Enter to set the interface to convert the link to a trunk link.                                                                                                                                                                                                                                                                                                                                                                                                            |
| desirable           |      | Enter to set the interface to attempt actively to convert the link to a trunk link.                                                                                                                                                                                                                                                                                                                                                                                        |
| port-security       |      | Enter to configure the unicast MAC address as a known frame in the port.<br>The port-security command is used to enable/disable port-security on a port. Port-security needs to be enabled to configure trusted MAC addresses and MAC learn limit.<br>By default port-security is be "disabled".<br>If port-security configuration is enabled, the Port Security MACs limit(trusted MACs) would be limited to 3K per device. This valud is hardcoded and not configurable. |
| unicast             |      | Enter to configure the static unicast MAC address for the specified interface.                                                                                                                                                                                                                                                                                                                                                                                             |
| <aa:aa:aa:aa:aa:aa> |      | Enter an unicast MAC address. This address should be in the format of aa:bb:cc:dd:ee:ff.                                                                                                                                                                                                                                                                                                                                                                                   |
| vlan                |      | Enter to set VLAN Interface configuration for the specified VLAN / VFI ID.                                                                                                                                                                                                                                                                                                                                                                                                 |

| Parameter        | Type    | Description                                                                                                                                                                                                                                                                                                                                                                                                                                                                                                                                                                                                                                                                                                                                                                                                                                                                                                                                                                                                                                                                                                 |
|------------------|---------|-------------------------------------------------------------------------------------------------------------------------------------------------------------------------------------------------------------------------------------------------------------------------------------------------------------------------------------------------------------------------------------------------------------------------------------------------------------------------------------------------------------------------------------------------------------------------------------------------------------------------------------------------------------------------------------------------------------------------------------------------------------------------------------------------------------------------------------------------------------------------------------------------------------------------------------------------------------------------------------------------------------------------------------------------------------------------------------------------------------|
| <vlan-id/vfi_id> | Integer | <p>Enter set VLAN Interface configuration for the specified VLAN / VFI ID. This value ranges from 1 to 6553.</p> <ul style="list-style-type: none"> <li>• &lt;vlan -id&gt; - VLAN ID is a unique value that represents the specific VLAN. This value ranges from 1 to 4094.</li> <li>• &lt;vfi-id&gt;- VFI ID is for a VLAN created in the system with a value ranging from 4096 to 65535.</li> </ul> <p><b>NOTE:</b> The VLAN ID 4095 is reserved and may be used to indicate a wild-card match for the VID in management operations or Filtering Database entries.</p> <p><b>NOTE:</b> VFI IDs 4096 and 4097 are reserved identifiers used in MPLS PW.</p> <p><b>NOTE:</b> The theoretical maximum for the maximum number of VFI is 65535 but the actual number of VFI supported is a sizing constant. Based on this, the maximum number of VFI ID accepted in the management interface is restricted. For example if 100 VFIs are supported, the maximum number of VFI supported will be restricted to maximum number of VLANs + 100. An error message is displayed for any value beyond this range.</p> |
| violation        |         | <p>Enter to configure the security violation status for the specified switch port.</p> <p><b>NOTE:</b> This command can be executed only if the interface created is mapped to a context.</p>                                                                                                                                                                                                                                                                                                                                                                                                                                                                                                                                                                                                                                                                                                                                                                                                                                                                                                               |
| recovery         |         | <p>The default state is manual recovery. The user needs to manually change the admin status to the UP (no shutdown) state to recover the port.</p>                                                                                                                                                                                                                                                                                                                                                                                                                                                                                                                                                                                                                                                                                                                                                                                                                                                                                                                                                          |
| automatic        |         | <p>If port recovery is configured as “automatic”, based on the “timer” value configured, the port will change its status to UP automatically. The timer value to be configured will be in “seconds”. The default recovery timer value is 5 secs.</p>                                                                                                                                                                                                                                                                                                                                                                                                                                                                                                                                                                                                                                                                                                                                                                                                                                                        |
| protect          |         | <p>Enter to set the port-security violation label (sav) as protected, which sets strict security flag as false, and only unknown MAC is treated as violation on all security configured ports.</p> <p>Drops packets with unknown source addresses until secure MAC addresses drop below the maximum value.</p>                                                                                                                                                                                                                                                                                                                                                                                                                                                                                                                                                                                                                                                                                                                                                                                              |
| restrict         |         | <p>Enter to set the port-security violation label (shv) as restricted, which sets the security flag as true, and configured MAC alone are alone treated as non violation on all security configured ports. Restrict drops packets with unknown source addresses until the number of secure MAC addresses drop below the maximum value and causes the Security Violation counter to increment. If max value is reached all violated entries will flash out and the learning process will start again.</p>                                                                                                                                                                                                                                                                                                                                                                                                                                                                                                                                                                                                    |



| Parameter             | Type    | Description                                                                                                                                                                                                                                                                                                                                                                                                                                                                                                                                                                                                                                                                                                                                                                                                                         |
|-----------------------|---------|-------------------------------------------------------------------------------------------------------------------------------------------------------------------------------------------------------------------------------------------------------------------------------------------------------------------------------------------------------------------------------------------------------------------------------------------------------------------------------------------------------------------------------------------------------------------------------------------------------------------------------------------------------------------------------------------------------------------------------------------------------------------------------------------------------------------------------------|
| shutdown              |         | Enter to set the port-security violation status as shutdown which disables all security. This is the default option.                                                                                                                                                                                                                                                                                                                                                                                                                                                                                                                                                                                                                                                                                                                |
| priority              |         | Enter to configure the default ingress user priority for a port. This priority is assigned to frames received on the port that does not have a priority assigned to it. This priority value is useful only on media such as Ethernet that does not support native user priority.<br><b>NOTE:</b> This command is applicable only for the port configured as switch port.<br><b>NOTE:</b> The default user priority cannot be configured for the port, if the VLAN switching feature is shutdown in the switch                                                                                                                                                                                                                                                                                                                       |
| default               |         | Enter to configure the default ingress user priority for a port.                                                                                                                                                                                                                                                                                                                                                                                                                                                                                                                                                                                                                                                                                                                                                                    |
| <priority value(0-7)> | Integer | Enter a value for the default ingress user priority. This value ranges from 0 to 7. The value 0 represents the lowest priority and the value 7 represents the highest priority. 0 is also the default value.                                                                                                                                                                                                                                                                                                                                                                                                                                                                                                                                                                                                                        |
| protected             |         | Enter to enable switchport protection feature for a port. This feature sets the particular port as protected so that the port does not forward frames received from another protected port present on the same switch. By default, the switchport protection feature is disabled in the port.<br><b>NOTE:</b> The switchport protection feature cannot be configured in the switch if the VLAN switching feature is shutdown in the switch.<br><b>NOTE:</b> This command is applicable only for the port configured as switch port.                                                                                                                                                                                                                                                                                                 |
| pvid                  |         | Enter to configure the PVID on the specified port. PVID (Port VLAN ID) is a default VLAN id assigned to frames coming to the port. The PVID represents the VLAN ID/ VFI ID that is to be assigned to untagged frames or priority-tagged or C-VLAN frames received on the port. The PVID is used for port based VLAN type membership classification. The PVID configuration is used based on the acceptable frame type of the port. The packets are processed against PVID if the packets accepted at ingress are not having tags.<br><b>NOTE:</b> Only the IDs of the active VLAN can be used as PVIDs in the command.<br><b>NOTE:</b> This command is applicable only for the port configured as switch port.<br><b>NOTE:</b> The PVID cannot be configured for the port if the VLAN switching feature is shut down in the switch. |

| Parameter                           | Type    | Description                                                                                                                                                                                                                                                                                                                                                                                                                                                                                                                                                                                                                                                                                                                                                                                                                                                                                                                                                                                                                                                                                             |
|-------------------------------------|---------|---------------------------------------------------------------------------------------------------------------------------------------------------------------------------------------------------------------------------------------------------------------------------------------------------------------------------------------------------------------------------------------------------------------------------------------------------------------------------------------------------------------------------------------------------------------------------------------------------------------------------------------------------------------------------------------------------------------------------------------------------------------------------------------------------------------------------------------------------------------------------------------------------------------------------------------------------------------------------------------------------------------------------------------------------------------------------------------------------------|
| <code>&lt;vlan-id/vfi-id&gt;</code> | Integer | <p>Enter a value for the / VFI ID. This value ranges from 1 to 65535.</p> <ul style="list-style-type: none"> <li>• <code>&lt;vlan -id&gt;</code> - VLAN ID is a unique value that represents the specific VLAN. This value ranges from 1 to 4094. The default is 1.</li> <li>• <code>&lt;vfi-id&gt;</code> - VFI ID is for a VLAN created in the system and ranges from 4096 to 65535.</li> </ul> <p><b>NOTE:</b> The VLAN ID 4095 is reserved and may be used to indicate a wild-card match for the VID in management operations or Filtering Database entries.</p> <p><b>NOTE:</b> VFI IDs 4096 and 4097 are reserved identifiers used in MPLS PW.</p> <p><b>NOTE:</b> The theoretical maximum for the maximum number of VFI is 65535 but the actual number of VFI supported is a sizing constant. Based on this, the maximum number of VFI ID accepted in the management interface is restricted. For example if 100 VFIs are supported, the maximum number of VFI supported will be restricted to maximum number of VLANs + 100. An error message is displayed for any value beyond this range.</p> |
| <code>unicast-mac</code>            |         | Enter to enable / disable unicast-MAC learning for the port.                                                                                                                                                                                                                                                                                                                                                                                                                                                                                                                                                                                                                                                                                                                                                                                                                                                                                                                                                                                                                                            |
| <code>learning</code>               |         | <p>Enter to enable / disable unicast-MAC learning for the port. The learning command allows users to enable/disable mac-learning on a specific port with the configured mac-learning count. There are no changes in standard MAC learning process, Upon the configuration of port-security users will be able to specify the max number of MAC addresses that may be learned by a port. When the number of MAC addresses learned exceeds the limit then entries in excess of the limit will be marked as DROPPed.</p>                                                                                                                                                                                                                                                                                                                                                                                                                                                                                                                                                                                   |
| <code>enable</code>                 |         | Enter to enable unicast-MAC learning for the port. When Mac Learning is enabled, unicast mac entries will be learnt on this port. Configuration of this object will not get affected by the Global Mac Learning Status. This is the default option.                                                                                                                                                                                                                                                                                                                                                                                                                                                                                                                                                                                                                                                                                                                                                                                                                                                     |
| <code>disable</code>                |         | Enter to disable unicast-MAC learning for the port. When Unicast Mac Learning is disabled, no unicast mac entry will be learnt on this port.                                                                                                                                                                                                                                                                                                                                                                                                                                                                                                                                                                                                                                                                                                                                                                                                                                                                                                                                                            |

## Mode

Interface Configuration Mode (Physical / Port Channel)

## Examples

```
iS5Comm(config)# int port-channel 1
```

```
iS5Comm(config-if)# switchport access vlan 3
iS5Comm(config-if)# switchport dot1q ingress ether-type 33024
iS5Comm(config-if)# switchport egress TPID-type vlanbased
iS5Comm(config-if) switchport encapsulation dot1ad vlan-type tpid1 STAG tpid2 tpid3
iS5Comm(config-if)# switchport filtering-utility-criteria enhanced
iS5Comm(config-if)# switchport ingress-filter
iS5Comm(config-if)# switchport map protocols-group 1 vlan 2
iS5Comm(config-if)# switchport mode access
iS5Comm (config-if)# switchport port-security unicast 00:11:22:33:44:55 vlan 1
iS5Comm (config-if)# switchport port-security violation protect
iS5Comm(config-if)# switchport priority default 5
iS5Comm(config-if)# switchport protected
iS5Comm(config-if)# switchport pvid 1
iS5Comm(config-if)# switchport unicast-mac learning enable
iS5Comm(config-if)# switchport port-security violation recovery automatic recovery-time 150
```

## Enabling Port Security

```
iS5Comm# config terminal
iS5Comm(config)# int gi 0/7
iS5Comm(config-if)# switchport port-security enable
```

## MAC learning

```
iS5Comm(config)# int gi 0/17
iS5Comm(config-if)# switchport unicast-mac learning enable mac-limit 3
iS5Comm(config-if)# end
iS5Comm# show mac-address
Vlan Mac Address Type ConnectionId Ports

1 00:10:94:00:00:02 Learnt Gi0/17
1 00:10:94:00:00:03 Learnt Gi0/17
1 00:10:94:00:00:04 Learnt Gi0/17
```

1 00:10:94:00:00:05 Drop Gi0/17 ? DROP entries after 3 MACs.

1 00:10:94:00:00:06 Drop Gi0/17Total Mac Addresses displayed: 5

## Unicast

```
iS5Comm(config-if)# switchport port-security unicast 12:23:34:34:34:34 vlan 1
```

The above command allows the user to configure the trusted MAC-address in the VLAN, this will be the only MAC address that will be allowed for this interface.

This is an optional configuration, if the MAC address is not specified, then the first learned MAC addresses will be allowed until the configured limit is reached.

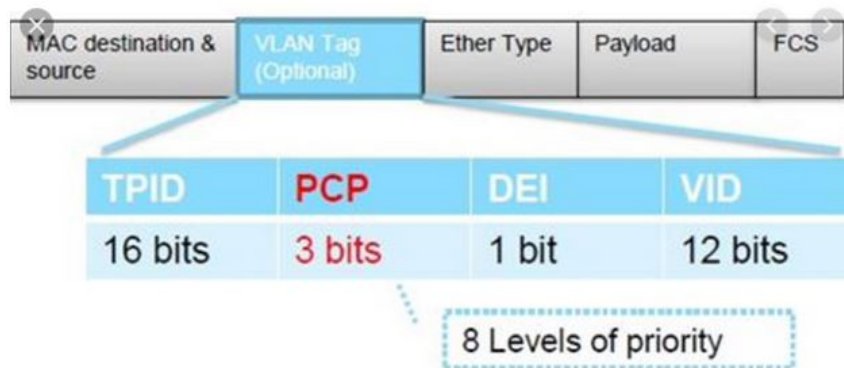
To remove the trusted MAC address from the interface use the following command:

```
iS5Comm(config-if)# no switchport port-security unicast 12:23:34:34:34:34 vlan 1
```

## 21.44. user-defined TPID

To configure user defined *TPID* (Tag Protocol Identifier) allowable for Port/Egress *VLAN*, use the command **user-defined TPID** in Global Configuration Mode. The no form of this command deletes the configured user defined *TPID* allowable for a port/ Egress *VLAN* Ethertype.

user-defined TPID



```
user-defined TPID <size (1-65535)>
```

## Parameters

| Parameter        | Type    | Description                                                                   |
|------------------|---------|-------------------------------------------------------------------------------|
| <size (1-65535)> | Integer | Enter a value for the Ethertype. This Ethertype value ranges from 1 to 65535. |

## Mode

Global Configuration Mode

## Default

0

## Prerequisites

The VLAN mode can be configured, only if the VLAN switching feature is started and enabled in the switch.

## Examples

```
iS5Comm(config)# user-defined TPID 200
```

## 21.45. vlan

To map an evaluated user priority to a traffic class on a port, configure the maximum number of traffic classes supported on a port, or set a restricted feature configuration, use the command **vlan** in Interface Configuration Mode. The maximum number of traffic classes supported on the port can be configured, only if the *VLAN* switching feature is started and enabled in the switch. The `no` form of the command resets the maximum traffic class value on the port to its default value and maps the default traffic class to the specified priority value on the port.

### vlan

```
vlan {map-priority <priority value(0-7)> traffic-class <traffic class
value(0-7)>
| max-traffic-class <max traffic class value(1-8)>
| restricted} {disable | enable}
```

### no vlan

```
no vlan {map-priority <priority value(0-7)> | max-traffic-class}
```

## Parameters

| Parameter                            | Type    | Description                                                                                                                                                                                                                                                                                                                                                                                                                                                                                                                                                                                                                                                                                                       |
|--------------------------------------|---------|-------------------------------------------------------------------------------------------------------------------------------------------------------------------------------------------------------------------------------------------------------------------------------------------------------------------------------------------------------------------------------------------------------------------------------------------------------------------------------------------------------------------------------------------------------------------------------------------------------------------------------------------------------------------------------------------------------------------|
| <code>map-priority</code>            |         | Enter to map an evaluated user priority to a traffic class on a port. The frame received on the interface with the configured priority is processed in the configured traffic class. Traffic class is used to meet the latency and throughput requirement of time-critical traffic in a LAN environment, where both time-critical and non-time-critical traffic compete for the network bandwidth.                                                                                                                                                                                                                                                                                                                |
| <code>&lt;priority value(0-7)</code> | Integer | Enter a priority value to be set for the specified traffic class. This value ranges from 0 to 7. The frames with the configured priority are mapped to the specified traffic class. The priority determined for the received frame is equivalent to the priority indicated in the received tagged frame or one of the evaluated priorities determined based on the media-type. The priority determined is equal to the Default User Priority value for the ingress port, if the untagged frames are received from Ethernet media. The priority determined is equal to the Regen user priority for the ingress port and media-specific user priority, if the untagged frames are received from non-Ethernet media. |
| <code>traffic-class</code>           |         | Enter to configure the traffic class value to which the received frame of specified priority is to be mapped.                                                                                                                                                                                                                                                                                                                                                                                                                                                                                                                                                                                                     |

| Parameter                                     | Type    | Description                                                                                                                                                                                                                                                                                                                                                                                                                                                                                                                                                                                                                                                                                                                                                                                                                                                                                                                                                                                                                                                                                                                                                                                                                                                                                                                                                                                                                                                                                                                                                                                     |
|-----------------------------------------------|---------|-------------------------------------------------------------------------------------------------------------------------------------------------------------------------------------------------------------------------------------------------------------------------------------------------------------------------------------------------------------------------------------------------------------------------------------------------------------------------------------------------------------------------------------------------------------------------------------------------------------------------------------------------------------------------------------------------------------------------------------------------------------------------------------------------------------------------------------------------------------------------------------------------------------------------------------------------------------------------------------------------------------------------------------------------------------------------------------------------------------------------------------------------------------------------------------------------------------------------------------------------------------------------------------------------------------------------------------------------------------------------------------------------------------------------------------------------------------------------------------------------------------------------------------------------------------------------------------------------|
| <code>&lt;traffic-classes value(0-7)</code>   | Integer | <p>Enter a traffic class value to which the received frame of specified priority is to be mapped. This value ranges from 0 to 7. Each value represents the concerned traffic. They are:</p> <ul style="list-style-type: none"> <li>• 0 - Best effort. This represents all kinds of non-detrimental traffic that is not sensitive to QoS metrics such as jitter.</li> <li>• 1 - Background. This represents bulk transfers and other activities that are permitted on the network without impacting the network usage for users and applications.</li> <li>• 2 - Standard (spare traffic). This represents traffic of more importance than background but less importance than excellent load.</li> <li>• 3 - Excellent load. This represents the best effort type service that an information services organization should deliver to its most important customers.</li> <li>• 4 - Controlled load. This represents traffic subject to admission control to assure that the traffic is received even when the network is overloaded.</li> <li>• 5 - Interactive voice and video. This represents traffic having delay less than 100 milli-seconds.</li> <li>• 6 - Internetwork control-Layer 3 network control. This represents traffic having delay less than 10 milli-seconds.</li> <li>• 7 - Network control-Layer 2 network control reserved traffic. This represents traffic that demands special treatment based on its requirements and relative importance.</li> </ul> <p>The configured traffic class value should be less than the maximum number of traffic classes in the port.</p> |
| <code>max-traffic-class</code>                |         | Enter to configure the maximum number of traffic classes supported on a port                                                                                                                                                                                                                                                                                                                                                                                                                                                                                                                                                                                                                                                                                                                                                                                                                                                                                                                                                                                                                                                                                                                                                                                                                                                                                                                                                                                                                                                                                                                    |
| <code>&lt;max-traffic-class value(1-8)</code> | Integer | Enter a value for the maximum number of traffic classes supported on a port. The number of traffic classes supported depends on the hardware used, which can limit the number of traffic classes to a lower number. Eight traffic classes for handling priority traffic are supported. Each traffic is assigned a traffic type based on the time sensitiveness of the traffic. This value ranges from 1 to 8. The default is 8.                                                                                                                                                                                                                                                                                                                                                                                                                                                                                                                                                                                                                                                                                                                                                                                                                                                                                                                                                                                                                                                                                                                                                                 |
| <code>restricted</code>                       |         | Enter to configure the restricted feature configuration.                                                                                                                                                                                                                                                                                                                                                                                                                                                                                                                                                                                                                                                                                                                                                                                                                                                                                                                                                                                                                                                                                                                                                                                                                                                                                                                                                                                                                                                                                                                                        |
| <code>disable</code>                          |         | Enter to disable the restricted VLAN registration.                                                                                                                                                                                                                                                                                                                                                                                                                                                                                                                                                                                                                                                                                                                                                                                                                                                                                                                                                                                                                                                                                                                                                                                                                                                                                                                                                                                                                                                                                                                                              |
| <code>enable</code>                           |         | Enter to enable the restricted VLAN registration.                                                                                                                                                                                                                                                                                                                                                                                                                                                                                                                                                                                                                                                                                                                                                                                                                                                                                                                                                                                                                                                                                                                                                                                                                                                                                                                                                                                                                                                                                                                                               |

## Mode

Interface Configuration Mode

## Default

The default traffic classes that are mapped to the priority is listed below:

Priority Traffic Class

1 0

2 1

3 3

4 4

5 5

6 6

7 7

## Prerequisites

- The default traffic classes mapped to the priority value depends upon the maximum traffic classes supported on the port.
- The evaluated user priority can be mapped to the traffic class, only if the VLAN switching feature is started and enabled in the switch.
- Mapping packets to a queue based on the COS value in the packet can be achieved by mapping the packets COS value to internal priority and then the internal priority to a Queue Id. Since the Cos mapping to a queue is not directly supported in bcm, alternate command has to be configured for achieving this based on the internal priority

## Examples

```
iS5Comm (config-if)# vlan map-priority 2 traffic-class 2
```

## 21.46. vlan

To activate a *VLAN* in the switch, set the *VLAN* egress Ethertype, set the loopback-related configuration, use the command **vlan** in *VLAN* Configuration Mode. The no form of this command resets the *VLAN* egress Ethertype to the default value.

### vlan

```
vlan {active
```



```
| egress ether-type {STAG | QINQ | QINQ | user-defined}
| loopback {enable | disable}
| nestedvlan {enable | disable}
```

## Parameters

| Parameter    | Type | Description                                                                                                                                                                                     |
|--------------|------|-------------------------------------------------------------------------------------------------------------------------------------------------------------------------------------------------|
| active       |      | Enter activate a VLAN in the switch.<br><b>NOTE:</b> Only default VLAN (VLAN 1) is activated once the switch is started.                                                                        |
| egress       |      | Enter to set the VLAN Egress Ethertype.                                                                                                                                                         |
| ether-type   |      | Enter to set the VLAN Egress Ethertype.                                                                                                                                                         |
| STAG         |      | Enter to configure the secondary Ethertype as 0x9100.                                                                                                                                           |
| CTAG         |      | Enter to configure the secondary Ethertype as 0x8100. This is the default option of CTAG (C-tag) (0x8100).                                                                                      |
| QINQ         |      | Enter to configure the secondary Ethertype as                                                                                                                                                   |
| user-defined |      | Enter to configure the user-defined TPID as VLAN Egress Ethertype.<br><b>NOTE:</b> This value can be set only if user-defined TPID is configured.                                               |
| loopback     |      | Enter to sets the loopback status for the VLAN interface                                                                                                                                        |
| enable       |      | Enter to enable loopback feature for the VLAN interface. When loopback is enabled, all data packets received in the vlan will be sent back in the same port from which the packets are received |
| disable      |      | Enter to disable loopback feature for the VLAN interface. This is default.                                                                                                                      |
| nestedvlan   |      | Enter to select nested vlan                                                                                                                                                                     |
| enable       |      | Enter to enable loopback feature for the VLAN interface. When loopback is enabled, all data packets received in the vlan will be sent back in the same port from which the packets are received |
| disable      |      | Enter to disable loopback feature for the VLAN interface. This is default.                                                                                                                      |

## Mode

VLAN Configuration Mode

## Examples

```
iS5Comm(config-vlan)# vlan active
iS5Comm(config-vlan)# vlan egress ether-type CTAG
iS5Comm(config-vlan) # vlan loopback enable
```

## 21.47. vlan

To create a *VLAN* / VFI ID and enter into the config- *VLAN* mode in which *VLAN* specific configurations are done or configure the global *MAC* learning mode, use the command **vlan** in Global Configuration Mode. The no form of the command deletes the existing *VLAN*/ VFI and its corresponding configurations. Static ARP cache entry related to the static *MAC* address of this specific *VLAN* should be removed while removal of static *VLAN*.

### vlan

```
vlan {learning mode {hybrid | svl | ivl} | <vlan_vfi_id>}
```

### no vlan

```
no vlan <vlan_vfi_id>}
```

## Parameters

| Parameter | Type | Description                                                                                                                                                                                                                                                                                                                                                                                                               |
|-----------|------|---------------------------------------------------------------------------------------------------------------------------------------------------------------------------------------------------------------------------------------------------------------------------------------------------------------------------------------------------------------------------------------------------------------------------|
| learning  |      | Enter to configure the VLAN learning mode to be applied for all ports of the switch.                                                                                                                                                                                                                                                                                                                                      |
| mode      |      | Enter to configure the VLAN learning mode to be applied for all ports of the switch. This mode defines the forwarding database modes of operation to be implemented by the switch.                                                                                                                                                                                                                                        |
| hybrid    |      | Enter to set the VLAN learning mode as hybrid. Same forwarding database is created for some VLANs and separate forwarding database is used for some VLANs. The usage of same or separate forwarding database for the VLAN is decided based on the static unicast MAC address in the FDB table entries.                                                                                                                    |
| ivl       |      | Enter to set the VLAN learning mode as Independent VLAN learning (IVL). Separate forwarding database is created for each VLAN. The information learnt from a VLAN is not shared among other relative VLANs during forwarding decisions. This mode is suitable in situations where the database size is not a constraint and end stations operate over multiple VLANs with the same MAC address. This is the default mode. |
| svl       |      | Enter to set the VLAN learning mode as Shared VLAN learning (SVL). Single forwarding database is created for all VLANs. The information learnt from a VLAN is shared among all other relative VLANs during forwarding decision. This mode is suitable in situations where the learning database size is a constraint.                                                                                                     |

| Parameter     | Type | Description                                                                                                                                                                                                                                                                                                                                                                                                                                                                                                                                                                                                                                                                                                                                                                                                                                                                                                                                                                                                                                                                                                                                                                                                                                                                                                                                                 |
|---------------|------|-------------------------------------------------------------------------------------------------------------------------------------------------------------------------------------------------------------------------------------------------------------------------------------------------------------------------------------------------------------------------------------------------------------------------------------------------------------------------------------------------------------------------------------------------------------------------------------------------------------------------------------------------------------------------------------------------------------------------------------------------------------------------------------------------------------------------------------------------------------------------------------------------------------------------------------------------------------------------------------------------------------------------------------------------------------------------------------------------------------------------------------------------------------------------------------------------------------------------------------------------------------------------------------------------------------------------------------------------------------|
| <vlan_vfi_id> |      | <p>Enter to create a VLAN / VFI ID and enters into the config-VLAN mode in which VLAN specific configurations are done. This command directly enters into the config-VLAN mode for the specified VLAN / VFI ID, if the VLAN is already created.</p> <ul style="list-style-type: none"> <li>• &lt;vlan -id&gt; - This is a unique value that represents the specific VLAN. This value ranges from 1 to 4094.</li> <li>• &lt;vfi-id&gt;. - VFI ID is a VLAN created in the system which contains Pseudo wires and Attachment Circuits as member ports . This creates a logical LAN for the VPLS service. This value ranges from 4096 to 65535</li> </ul> <p><b>NOTE:</b> The VLAN ID 4095 is reserved and may be used to indicate a wild-card match for the VID in management operations or Filtering Database entries</p> <p><b>NOTE:</b> VFI IDs 4096 and 4097 are reserved identifiers used in MPLS PW</p> <p><b>NOTE:</b> The theoretical maximum for the maximum number of VFI is 65535 but the actual number of VFI supported is a sizing constant. Based on this, the maximum number of VFI ID accepted in the management interface is restricted. For example, if 100 VFIs are supported, the maximum number of VFI supported will be restricted to maximum number of VLANs + 100. An error message is displayed for any value beyond this range.</p> |

## Mode

Global Configuration Mode

## Default

By default, VLAN 1 is created

learning mode - ivl

## Prerequisites

The VLAN learning mode cannot be configured in the switch, if the VLAN switching feature is shut down in the switch. The Native VLAN (VLAN 1) created by default cannot be deleted using the no form of the command.

For default VLAN 1, interface VLAN configuration alone is permitted and no other configuration on this VLAN is allowed, if the base bridge mode is set as transparent bridging. No new VLAN can be created, if the base bridge mode is set as transparent bridging

The creation of new VLAN and configuration of existing VLAN can be done, only if the VLAN switching feature is started and enabled in the switch.

## Examples

```
iS5Comm(config)# vlan 4
iS5Comm(config)# vlan learning mode hybrid
iS5Comm(config-vlan)#
```

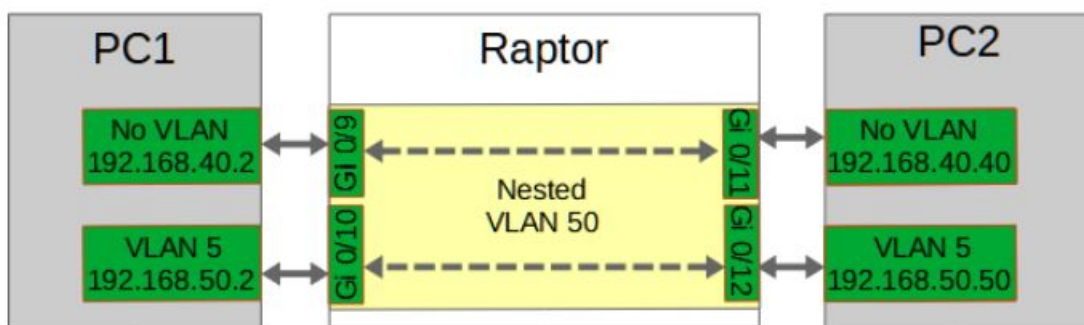
## 21.48. Nested VLAN with sub-switch CLI command

The **sub-switch** command in the Global Configuration Mode provides a convenient way to create a nested VLAN that bridges tagged and untagged frames unaltered on chosen ports of the switch.

### Nested VLAN Feature

The nested VLAN feature allows a set of ports on the switch to be combined in a smaller independent switch (a sub-switch). The sub switch leaves the Ethernet frames unchanged from entry to exit, while still providing the correct bridging to the destination. This allows tagged and untagged frames to coexist within the nested VLAN.

The following network can be set up with the **sub-switch nested vlan 50 gigabit 0/9-12** command allowing for an example of an untagged path and a nested VLAN 50 path through the switch.



The syntax of the **sub-switch** command is as follows:

### sub-switch

```
sub-switch
```

```
[nested] vlan <vlan-id> ([<interface-type> <0/a-b,0/c,...>] [<inter-
face-type> <0/a-b,0/c,...>])
```

## Mode

Global Configuration Mode

## Parameters

| Parameter                                           | Type    | Description                                                                                                                                                                                                                                                    |
|-----------------------------------------------------|---------|----------------------------------------------------------------------------------------------------------------------------------------------------------------------------------------------------------------------------------------------------------------|
| <code>nested</code>                                 |         | Enter to select the optional nested VLAN feature.                                                                                                                                                                                                              |
| <code>vlan</code>                                   |         | Enter to set the subnet mask for the configured IP address. The configured subnet mask should be in the same subnet of the network in which the switch is placed                                                                                               |
| <code>vlan-id</code>                                | Integer | Enter to configure the number of high-order bits in the IP address. These bits are common among all hosts within a network. This value ranges from 1 to 32.                                                                                                    |
| <code>interface-type</code><br><0/a-b, 0/c,<br>...> |         | Enter to set the list of interfaces or a specific interface identifier. This value is a combination of slot number and port number separated by a slash. Use comma as a separator without space while configuring list of interfaces. Example: 0/1,0/3 or 1,3. |
| <code>gigabitethernet</code>                        |         | Enter for Gigabitethernet.                                                                                                                                                                                                                                     |
| <code>extreme-ethernet</code>                       |         | Enter for Extreme-Ethernet.                                                                                                                                                                                                                                    |

## Examples

The command below shows an example of nested VLAN 20 path through the switch.

```
iS5Comm# (config)# sub-switch nested vlan 20 gigabit 0/7-8,0/11-12
```

## Restrictions

Creating a nested VLAN in this way requires that:

- the VLAN does not already exist, and
- the list of all ports belong only to the default VLAN.

On creation:

- the ports will be removed from the default VLAN and added to the new VLAN,
- the PVID of all the ports will be set to the VLAN ID, and
- the nested VLAN feature will be enabled on all the ports.

The PVID will be restricted to be used only in this VLAN to ensure that there is no mixing with other VLANs.

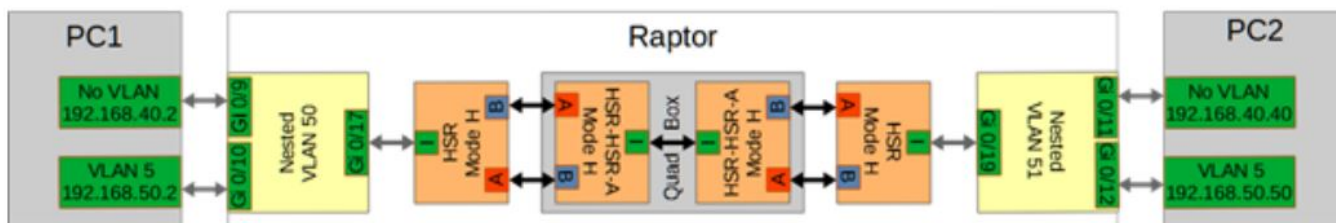
Adding or removing ports from the nested VLAN requires that:

- 1) the VLAN is deleted
- 2) a new nested VLAN is created to ensure that all ports on the port list are in the correct states when the nested VLAN feature is enabled

Note that deleting a nested VLAN will set the PVIDs of all ports back to the default PVID.

In HSR/PRP networks, both tagged and untagged frames can originate from a single redundant node depending on the protocol being used. The nested VLAN feature will allow both types of frames to reach their destinations by coexisting in the same nested VLAN.

A HSR QuadBox has a similar built-in feature to allow tagged and untagged frames through, as shown in the following diagram.



## 21.49. Nested VLAN with elementary CLI commands

While the high level **sub-switch** command provides an user-friendly way to set up a nested VLAN, such a VLAN can be also created with elementary CLI console or SNMP commands that will require more steps than these performed automatically by the sub-switch command.

### Creating a Nested VLAN with elementary CLI Commands

To create a nested VLAN by elementary CLI console or SNMP commands, the following steps are required:

- Removing required ports from all other VLANs
- Creating a new VLAN with member ports and untagged ports that are the same, and without any forbidden ports, and
- Enabling the nested VLAN feature for the VLAN.

### Examples

For example, a nested VLAN can be created with the following elementary CLI console commands:

```
iS5Comm# configure terminal
```

```
iS5Comm# (config)# vlan 1
```

```
iS5Comm# (config-vlan)# no ports gi 0/7-8,0/11-12 untagged gi 0/7-8,0/11-12
```

```
iS5Comm# (config-vlan)# exit
iS5Comm# (config)# vlan 20
iS5Comm# (config-vlan)# ports gi 0/7-8,0/11-12 untagged gi 0/7-8,0/11-12
iS5Comm# (config-vlan)# vlan nestedvlan enable
iS5Comm# (config-vlan)# exit
iS5Comm# (config)# exit
```

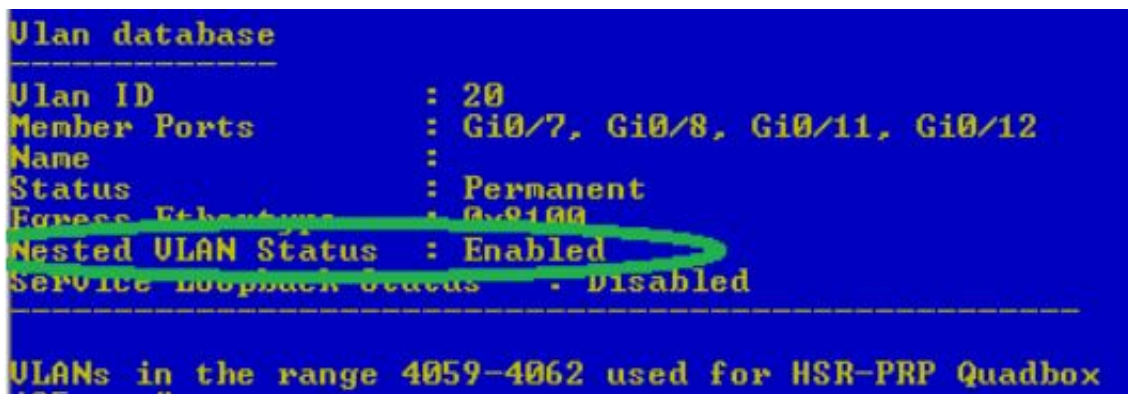
The example above provides details on how to create a nested VLAN with elementary CLI console commands.

For information on a high level user-friendly way to set up a nested VLAN, see the **sub-switch** command.

### Verification of the Created Nested VLAN

To verify the nested VLAN, use the following CLI console command:

```
iS5Comm# show vlan id 20
```



```
Vlan database

Vlan ID : 20
Member Ports : Gi0/7, Gi0/8, Gi0/11, Gi0/12
Name :
Status : Permanent
Egress Ethernet : 0x9100
Nested VLAN Status : Enabled
Service loopback status : Disabled

VLANs in the range 4059-4062 used for HSR-PRP Quadbox
```





# IP

## 22. IP

IP (Internet Protocol) is an identifier for a computer or device on a *TCP/ IP* network. Networks using the *TCP/ IP* protocol route messages based on the IP address of the destination. The format of an *IP* address is a 32-bit numeric address written as four numbers separated by periods. Each number can be zero to 255. For example, 10.5.25.180.

Every computer that communicates over the Internet is assigned an *IP* address that uniquely identifies the device and distinguishes it from other computers on the Internet. Within an isolated network, *IP* addresses can be assigned at random if each one is unique. However, to connect a private network to the Internet, registered *IP* addresses must be used (called Internet addresses) to avoid duplicates. The four numbers in an *IP* address are used in different ways to identify a particular network and a host on that network.

Four regional Internet registries—ARIN, RIPE NCC, LACNIC, and APNIC—assign Internet addresses from the following three classes.

- Class A - supports 16 million hosts on each of 126 networks
- Class B - supports 65,000 hosts on each of 16,000 networks
- Class C - supports 254 hosts on each of 2 million networks

The number of unassigned Internet addresses is running out, so a new classless scheme called CIDR (Classless Inter-Domain Routing) is gradually replacing the system based on classes A, B, and C and is tied to adoption of IPv6. ICMP (Internet Control Message Protocol) is an extension to the IP defined by RFC 792. ICMP supports packets containing error, control, and informational messages. For example, the ping command uses ICMP to test an Internet connection.

The IP implements all components required for IP forwarding. The various components of the *IP* include *ARP*, *RARP*, *RTM*, *ICMP*, *IRDP*, *IGMP*, *InARP*, *BOOTP*, *TFTP*, *TRACE ROUTE*, *PING* and *UDP*.

### 22.1. arp

To add a static entry in the *ARP* cache or set the *ARP* (Address Resolution Protocol) cache timeout, use the command **arp** in Global Configuration Mode. The no form of this command resets *ARP* cache timeout to its default value or deletes a static entry from the *ARP* cache.

#### arp

```
arp {<ip address> <hardware address>
| {Vlan <vlan-id/vfi-id>
```

---

```
| <interface-type> <interface-id>
| Linuxvlan <interface-name>
| Cpu0
| <IP-interface-type> <IP-interface-number>}
| timeout <seconds (30-86400)>
```

**no arp**

```
no arp timeout {<ip address> | access-list <access-list-name>}
```

## Parameters

| Parameter          | Type    | Description                                                                                                                                                                                                                                                                                                                                                                                                                                                                                                                                                                                                                                                                                                                                                                                                                                                                                                                                                                                                                                                                                                                                     |
|--------------------|---------|-------------------------------------------------------------------------------------------------------------------------------------------------------------------------------------------------------------------------------------------------------------------------------------------------------------------------------------------------------------------------------------------------------------------------------------------------------------------------------------------------------------------------------------------------------------------------------------------------------------------------------------------------------------------------------------------------------------------------------------------------------------------------------------------------------------------------------------------------------------------------------------------------------------------------------------------------------------------------------------------------------------------------------------------------------------------------------------------------------------------------------------------------|
| <ip address>       |         | Enter a value to defines the IP address or IP alias to map to the specified MAC address.                                                                                                                                                                                                                                                                                                                                                                                                                                                                                                                                                                                                                                                                                                                                                                                                                                                                                                                                                                                                                                                        |
| <hardware address> |         | Enter a value to defines the MAC address to map to the specified IP address or IP alias. For example, aa:aa:aa:aa:aa:aa                                                                                                                                                                                                                                                                                                                                                                                                                                                                                                                                                                                                                                                                                                                                                                                                                                                                                                                                                                                                                         |
| vlan               |         | Enter to create a VLAN / VFI ID and enters into the config-VLAN mode in which VLAN specific configurations are done. This command directly enters into the config-VLAN mode for the specified VLAN / VFI ID, if the VLAN is already created                                                                                                                                                                                                                                                                                                                                                                                                                                                                                                                                                                                                                                                                                                                                                                                                                                                                                                     |
| <vlan_vfi_id>      | Integer | <p>Enter a value for VLAN or VFI ID:</p> <ul style="list-style-type: none"> <li>• &lt;vlan -id&gt; - This is a unique value that represents the specific VLAN. This value ranges from 1 to 4094.</li> <li>• &lt;vfi-id&gt;. - VFI ID is a VLAN created in the system which contains Pseudo wires and Attachment Circuits as member ports. This creates a logical LAN for the VPLS service. This value ranges from 4096 to 65535</li> </ul> <p><b>NOTE:</b> The VLAN ID 4095 is reserved and may be used to indicate a wild-card match for the VID in management operations or Filtering Database entries</p> <p><b>NOTE:</b> VFI IDs 4096 and 4097 are reserved identifiers used in MPLS PW</p> <p><b>NOTE:</b> The theoretical maximum for the maximum number of VFI is 65535 but the actual number of VFI supported is a sizing constant. Based on this, the maximum number of VFI ID accepted in the management interface is restricted. For example, if 100 VFIs are supported, the maximum number of VFI supported will be restricted to maximum number of VLANs + 100. An error message is displayed for any value beyond this range.</p> |

| Parameter             | Type | Description                                                                                                                                                                                                                                                                                                                                                                                                                                                                                                                                                                                                                                                                                                                                                                                                                                                                                                     |
|-----------------------|------|-----------------------------------------------------------------------------------------------------------------------------------------------------------------------------------------------------------------------------------------------------------------------------------------------------------------------------------------------------------------------------------------------------------------------------------------------------------------------------------------------------------------------------------------------------------------------------------------------------------------------------------------------------------------------------------------------------------------------------------------------------------------------------------------------------------------------------------------------------------------------------------------------------------------|
| <interface-type>      |      | Enter to add a static entry in the ARP cache for the specified interface. The types of interface are as follows: <ul style="list-style-type: none"> <li>• fastethernet – Officially referred to as 100BASE-T standard. This is a version of LAN standard architecture that supports data transfer up to 100 Megabits per second.</li> <li>• gigabitethernet – A version of LAN standard architecture that supports data transfer up to 1 Gigabit per second.</li> <li>• extreme-ethernet – A version of Ethernet that supports data transfer up to 10 Gigabits per second. This Ethernet supports only full duplex links..</li> <li>• port-channel – Logical interface that represents an aggregator which contains several ports aggregated together.</li> <li>• sisp – &lt;ifnum&gt; interface number</li> <li>• pw -&lt;ifnum&gt; interface number</li> <li>• ac - &lt;ifnum&gt; interface number</li> </ul> |
| <interface-id>        |      | Enter to configure a specific slot number / port number to be added. For interface type other than internal-lan, virtual and port-channel, the format is <0>/<1-28> without spaces between Slot Number/Port Number. For example, 0/1. Only i-lan, virtual or port-channel ID is provided, for interface types internal-lan, virtual and port-channel.                                                                                                                                                                                                                                                                                                                                                                                                                                                                                                                                                           |
| Linuxvlan             |      | Enter to configure the Linux VLAN Interface.                                                                                                                                                                                                                                                                                                                                                                                                                                                                                                                                                                                                                                                                                                                                                                                                                                                                    |
| <interface-name>      |      | Enter a value to configure the Linux VLAN Interface.                                                                                                                                                                                                                                                                                                                                                                                                                                                                                                                                                                                                                                                                                                                                                                                                                                                            |
| Cpu0                  |      | Enter to set the Out of Band Management Interface for the route.                                                                                                                                                                                                                                                                                                                                                                                                                                                                                                                                                                                                                                                                                                                                                                                                                                                |
| <IP-interface-type>   |      | Enter to add a static entry in the ARP cache for the specified L3 Pseudo wire interface in the system.                                                                                                                                                                                                                                                                                                                                                                                                                                                                                                                                                                                                                                                                                                                                                                                                          |
| <IP-interface-number> |      | Enter a static entry in the ARP cache for the specified L3 Pseudo wire interface identifier. This is a unique value that represents the specific interface. This value ranges from 1 to 65535 for Pseudowire interface.<br><b>NOTE:</b> Maximum number of Pseudowire interfaces supported in the system is 100.                                                                                                                                                                                                                                                                                                                                                                                                                                                                                                                                                                                                 |
| timeout               |      | Enter to set the ARP (Address Resolution Protocol) cache timeout. The arp timeout defines the time period for which an ARP entry remains in the cache. When a new timeout value is assigned, it only affects the new ARP entries. All older entries retain their old timeout values.                                                                                                                                                                                                                                                                                                                                                                                                                                                                                                                                                                                                                            |

| Parameter               | Type | Description                                                                                                                                                                                |
|-------------------------|------|--------------------------------------------------------------------------------------------------------------------------------------------------------------------------------------------|
| <seconds<br>(30–86400)> |      | Enter a value to configure the ARP cache timeout value. This value ranges from 30 to 86400 seconds with a default of 7200. The timeout values can be assigned to dynamic ARP entries only. |

## Mode

Global Configuration Mode

## Prerequisites

Interface must be a router port

## Examples

```
iS5Comm(config)# arp timeout 35
iS5Comm(config)# arp 12.0.0.5 00:11:22:33:44:55 Vlan 1
```

## 22.2. clear ip arp

To clear dynamically learnt *ARP* entries, use the command **clear ip arp** in Global Configuration Mode.

### clear ip arp

```
clear ip arp
```

## Mode

Global Configuration Mode

## Examples

```
iS5Comm(config)# clear ip arp
```

## 22.3. ip aggregate-route

To set the maximum number of aggregate routes, use the command **ip aggregate-route** in Global Configuration Mode. The no form of this command sets the maximum number of aggregate routes to its default value. Aggregate Route-based *IP* switching is achieved by creating a virtual circuit along the network by selecting the forwarding paths used by routers that use *OSPF* (Open Shortest Path First Protocol). The

data is sent through these virtual circuit to the destination. The routing process is skipped along this circuit. The data is tagged with a label that is read by the switches and forwarded to the destination.

### ip aggregate-route

```
ip aggregate-route <value (5-4095)>
```

### no ip aggregate-route

```
no ip aggregate-route
```

## Parameters

| Parameter        | Type    | Description                                                                                 |
|------------------|---------|---------------------------------------------------------------------------------------------|
| <value (5-4095)> | Integer | Enter a value for the maximum number of aggregate routes. This value ranges from 5 to 4095. |

## Mode

Global Configuration Mode

## Default

10

## Examples

```
iS5Comm(config)# ip aggregate-route 500
```

## 22.4. ip arp max-retries

To define the maximum number of *ARP* requests that the switch generates before deleting an unresolved *ARP* entry, use the command **ip arp max-retries** in Global Configuration Mode. The no form of this command sets the maximum number of *ARP* request retries to their default value.

### ip arp max-retries

```
ip arp max-retries <value (2-10)>
```

### no ip arp max-retries

```
no ip arp max-retries
```

## Parameters

| Parameter      | Type | Description                                                                                  |
|----------------|------|----------------------------------------------------------------------------------------------|
| <value (2-10)> |      | Enter a value for the maximum number of ARP request entries. This value ranges from 2 to 10. |

## Mode

Global Configuration Mode

## Default

3

## Examples

```
iS5Comm(config)# ip arp max-retries 2
```

## 22.5. ip default-distance

To configure the default administrative distance for static IPv4 routes, use the command **ip default-distance** in Global Configuration Mode.

### ip default-distance

```
ip default-distance <distance (1-255)>
```

## Parameters

| Parameter          | Type    | Description                                                                                                                                  |
|--------------------|---------|----------------------------------------------------------------------------------------------------------------------------------------------|
| <distance (1-255)> | Integer | Enter a value to configure the administrative distance for the specified next hop address or the interface. This value ranges from 1 to 255. |

## Mode

Global Configuration Mode

## Default

1



## Examples

```
iS5Comm(config)# ip default-distance 10
```

## 22.6. ip default-ttl

To set the Time-To-Live ( *TTL*) value, use the command **ip default-ttl** in Global Configuration Mode. The no form of this command sets the TTL to the default value.

### ip default-ttl

```
ip default-ttl <value (1-255)>
```

### no ip default-ttl

```
no ip default-ttl
```

## Parameters

| Parameter       | Type    | Description                                                                                                                                                                                                   |
|-----------------|---------|---------------------------------------------------------------------------------------------------------------------------------------------------------------------------------------------------------------|
| <value (1-255)> | Integer | Enter a value for the Time-To-Live (TTL) value. TTL is the time set for a unit of data (a packet) to remain in the network or computer before it could be discarded. This value ranges from 1 to 255 seconds. |

## Mode

Global Configuration Mode

## Default

64

## Examples

```
iS5Comm(config)# ip default-ttl 1
```

## 22.7. ip directed-broadcast

To enable forwarding of directed broadcasts, use the command **ip directed-broadcast** in Interface Configuration Mode. The no form of this command disables the forwarding of directed broadcasts. The IP directed broadcast is an IP packet whose destination is a valid IP subnet address, but with a source from a node outside the destination subnet. The routers from outside the subnet forward the IP directed broadcast like any other IP packet. When the directed packet reaches a router in the destination subnet,

the packet is exploded as a broadcast in the subnet. The header information on the broadcast packet is rewritten for the broadcast address in the subnet. The packet is sent as link-layer broadcast.

### **ip directed-broadcast**

```
ip directed-broadcast
```

### **no ip directed-broadcast**

```
no ip directed-broadcast
```

## **Mode**

Interface Configuration Mode

## **Default**

Disabled

## **Examples**

```
iS5Comm(config)# int vlan 1
```

```
iS5Comm(config-if)# ip directed-broadcast
```

## **22.8. ip echo-reply**

To enable sending *ICMP* Echo Reply messages, use the command **ip echo-reply** in Global Configuration Mode. The no form of this command disables sending *ICMP* Echo Reply messages. The “ip echo reply” is a message sent by a device in response to a request sent by another device. This message is used to check if a device is able to communicate (send and receive data) with the destination device.

### **ip echo-reply**

```
ip echo-reply
```

### **no ip echo-reply**

```
no ip echo-reply
```

## **Mode**

Global Configuration Mode

## **Default**

Sending of *ICMP* Echo Reply messages is enabled.

## Examples

```
iS5Comm(config)# ip echo-reply
```

## 22.9. ip mask-reply

To enable sending *ICMP* Mask Reply messages, use the command **ip mask-reply** in Global Configuration Mode. The no form of this command disables sending v Mask Reply messages. The IP mask reply is an ICMP message sent with the subnet mask of the network by the router to the host. This reply is in correspondence to a request sent by the host seeking the subnet mask of the network.

### ip mask-reply

```
ip mask-reply
```

### no ip mask-reply

```
no ip mask-reply
```

## Mode

Global Configuration Mode

## Default

Sending of ICMP Mask Reply messages is enabled.

## Examples

```
iS5Comm(config)# ip mask-reply
```

## 22.10. ip path

To initiate path *MTU* (Maximum Transmission Unit) discovery and configure the *MTU* for usage in path *PMTU* (*PMTU*) discovery, use the command **ip path** in Global Configuration Mode. The no form of this command sets *MTU* for usage in *PMTU* Discovery and resets *PMTU* discovery to its default value.

### ip path

```
ip path mtu {discover | <dest ip> <tos(0-255)> <mtu(68-65535)>}
```

### no ip path

```
no ip path mtu {discover | <dest ip> <tos(0-255)>}
```

## Parameters

| Parameter                           | Type    | Description                                                                                                                                                                                                                           |
|-------------------------------------|---------|---------------------------------------------------------------------------------------------------------------------------------------------------------------------------------------------------------------------------------------|
| <code>mtu</code>                    |         | Enter to set the MTU for usage in PMTU discovery.                                                                                                                                                                                     |
| <code>discover</code>               |         | Enter to initiate path MTU (Maximum Transmission Unit) discovery. When IP path MTU discover is set to disabled, PMTU-D is not done even if the application requests to do so. When MTU is set to discover, PMTU discovery is enabled. |
| <code>&lt;dest ip&gt;</code>        |         | Enter a value to set the destination IP address. This is done to define the path between a source and destination.                                                                                                                    |
| <code>&lt;tos (0-255)&gt;</code>    | Integer | Enter a value to set the Type of Service of the configured route. This value ranges from 0 to 255.                                                                                                                                    |
| <code>&lt;mtu (68-65535)&gt;</code> | Integer | Enter a value to set the Maximum Transmission Unit for the path from the source to the destination. This value ranges from 68 to 65535.                                                                                               |

## Mode

Global Configuration Mode

## Default

Path MTU discovery is disabled.

## Prerequisites

The command `ip path mtu <dest ip> <tos(0-255)> <mtu(68-65535)>` is executed only if,

- PMTU discovery is enabled, or the following command has been executed first:

```
iS5Comm(config)# ip path mtu discover
```

## Examples

```
iS5Comm(config)# ip path mtu discover
```

```
iS5Comm(config)# ip path mtu 10.0.0.1 0 1800
```

## 22.11. ip proxy-arp

To enable proxy *ARP* for the interface, use the command **ip proxy-arp** in Interface Configuration Mode. The no form of this command disables proxy *ARP* for the interface.

**ip proxy-arp**

```
ip proxy-arp
```

**no ip proxy-arp**

```
no ip proxy-arp
```

**Mode**

Interface Configuration Mode

**Default**

Proxy ARP is disabled

**Examples**

```
iS5Comm(config)# int vlan 2
iS5Comm(config-if)# ip proxy-arp
```

## 22.12. ip proxyarp-subnetoption

To enable proxy *ARP* subnet check, use the command **ip proxyarp-subnetoption** in Global Configuration Mode. When subnet check is enabled, iSS acts as *ARP* proxy for target address in different subnet. The no form of this command disables proxy *ARP* subnet check. iSS acts as *ARP* proxy for target address in same or different subnet that is used in IP-DSLAM (Digital Subscriber Line Access Multiplexer) case, when subnet check is disabled.

**ip proxyarp-subnetoption**

```
ip proxyarp-subnetoption
```

**no ip proxyarp-subnetoption**

```
no ip proxyarp-subnetoption
```

**Mode**

Global Configuration Mode

**Default**

Proxy ARP subnet check is enabled

## Examples

```
iS5Comm(config)# ip proxyarp-subnetoption
```

## 22.13. ip rarp client

To enable *RARP* (Reverse Address Resolution Protocol) client, use the command **ip rarp client** in Global Configuration Mode. The no form of this command disables the *RARP* client. The *RARP* resolves an IP address from a given hardware address. The client that requests for the IP is the *RARP* client. The IP address of the default interface is obtained through *RARP*, when the IP address configuration mode is dynamic. After finishing the *RARP* Max retries, IP is obtained through *DHCP* (Dynamic Host Configuration Protocol).

### ip rarp client

```
ip rarp client
```

### no ip rarp client

```
no ip rarp client
```

## Mode

Global Configuration Mode

## Default

Enabled

## Prerequisites

The *RARP* server must be disabled when the *RARP* client is enabled.

## Examples

```
iS5Comm(config)# ip rarp client
```

## 22.14. ip redirects

To enable sending Internet Control Message Protocol (*ICMP* Redirect) messages, use the command **ip redirects** in Global Configuration Mode. The no form of this command disables sending *ICMP* Redirect messages. The Redirect Message is an *ICMP* message which notifies a host to update its routing information to send packets on an alternate route when a packet enters an IP interface and exits the same interface. The redirect message is sent to inform the host of the presence of alternative route.

**ip redirects**

```
ip redirects
```

**no ip redirects**

```
no ip redirects
```

**Mode**

Global Configuration Mode

**Default**

Sending of ICMP Redirect messages is enabled.

**Examples**

```
iS5Comm(config)# ip redirects
```

## 22.15. ip unreachable

To enable the router to send an *ICMP* unreachable message to the source if the router receives a packet that has an unrecognized protocol or no route to the destination address, use the command **ip unreachable** in Global Configuration Mode. The no form of this command disables sending *ICMP* unreachable messages. *ICMP* provides a mechanism that enables a router or destination host to report an error in data traffic processing to the original source of the packet. This informs the source that the packet is dropped.

**ip unreachable**

```
ip unreachable
```

**no ip unreachable**

```
no ip unreachable
```

**Mode**

Global Configuration Mode

**Default**

Sending of ICMP unreachable messages is enabled.

## Examples

```
iS5Comm(config)# ip unreachable
```

## 22.16. ipv4 enable

To enable IPv4 processing on the interface that has not been configured with an explicit IPv4 address, use the command **ipv4 enable** in Interface *VLAN* Configuration Mode. When subnet check is enabled, the switch acts as an ARP proxy for target address in different subnet. The no form of this command disables IPv4 processing on the interface.

### ipv4 enable

```
ipv4 enable
```

### no ipv4 enable

```
no ipv4 enable
```

## Mode

Interface (VLAN) Configuration Mode

## Default

enable

## Examples

```
iS5Comm(config-if)# ipv4 enable
```

## 22.17. maximum-paths

To set the maximum number of paths that can be connected to a host, use the command **maximum-paths** in Global Configuration Mode. The no form of this command sets the maximum number of paths to its default value. The command provides multiple forwarding paths for data traffic and enables load balancing. It improves the overall network fault tolerance, as a failure in one instance does not affect the other instances.

### maximum-paths

```
maximum-paths <value (1-16)>
```

### no maximum-paths

```
no maximum-paths
```



## Parameters

| Parameter      | Type | Description                                          |
|----------------|------|------------------------------------------------------|
| <value (1-16)> |      | Enter a value for the maximum number of multi paths. |

## Mode

Global Configuration Mode

## Default

Maximum number of multi paths is set as 2.

## Examples

```
IS5Comm(config)# maximum-paths 15
```

## 22.18. ping

To send echo messages, use the command **ping** in Privileged EXEC Mode. The Packet Internet Groper (*PING*) module is built based on the *ICMP* echo request and *ICMP* echo response messages. The network administrator uses ping on a remote device to verify its presence. *PING* involves sending *ICMP* echo messages repeatedly and measuring the time between transmission and reception of message. The output displays the time taken for each packet to be transmitted, number of packets transmitted, number of packets received, and packet loss percentage.

### ping

```
ping <IpAddress> cybsec
[ip] {<IpAddress> | <dns_host_name>}
[data <data (0-65535)>]
[df-bit]
[{repeat | count} <packet_count (1-10)>]
[size <packet_size (36-2080)>]
[timeout <time_out (1-100)>]
[validate]
```

## Parameters

| Parameter                  | Type | Description                                                                                                                                         |
|----------------------------|------|-----------------------------------------------------------------------------------------------------------------------------------------------------|
| <IpAddress>                |      | Enter an IP address to which the messages will be sent.                                                                                             |
| cybsec                     |      | Enter for cyber security application.                                                                                                               |
| ip                         |      | Enter a value to set the destination IP address. This is done to define the path between a source and destination.                                  |
| <dns_host_name>            |      | Enter a value to configure the name of the host.                                                                                                    |
| data                       |      | Enter to configure the size of data to be pinged.                                                                                                   |
| <data<br>(0-65535)>        |      | Enter a value for the number of times the given node address is to be pinged. This value ranges from 68 to 65535.                                   |
| df-bit                     |      | Enter to specify whether or not the Dont Fragment (DF) bit is to be set on the ping packet.                                                         |
| repeat                     |      | Enter to configure the number of ping messages to be repeated.                                                                                      |
| count                      |      | Enter to configure the number of times the given node address is to be pinged.                                                                      |
| <packet_count<br>(1-10)>   |      | Enter a value for the number of times the given node address is to be pinged or the number of messages to be repeated. This value ranges from 1-10. |
| size                       |      | Enter to configure the size of the data portion of the PING PDU.                                                                                    |
| <packet_size<br>(36-2080)> |      | Enter a value for the data portion of the PING PDU. This value ranges from 36 to 2080.                                                              |
| timeout                    |      | Enter to configure the time in seconds after which the entity waiting for the ping response times out.                                              |
| <time_out<br>(1-100)>      |      | Enter a value to set the Maximum Transmission Unit for the path from the source to the destination. This value ranges from 68 to 65535.             |
| validate                   |      | Enter to configure to validate the reply data.                                                                                                      |

## Mode

Privileged EXEC Mode

## Default

- size—64

- count—3
- timeout—1

## Examples

```
iS5Comm(config)# ping 192.168.10.10 validate
```

```
Reply Received From :192.168.10.10, TimeTaken : 3 msec
Reply Received From :192.168.10.10, TimeTaken : 3 msec
Reply Received From :192.168.10.10, TimeTaken : 5 msec
--- 192.168.10.10 Ping Statistics ---
3 Packets Transmitted, 3 Packets Received, 0% Packets Loss
```

## 22.19. show ip default-distance

To display the default administrative distance for static IPv4 routes, use the command **show ip default-distance** in Privileged EXEC Mode.

### show ip default-distance

```
show ip default-distance
```

### Mode

Privileged EXEC Mode

### Examples

```
iS5Comm# show ip default-distance
```

```
IP Default Administrative distance: 10
```

## 22.20. show ip proxy-arp

To display the status of the proxy *ARP* for all created interfaces, use the command **show ip proxy-arp** in Privileged EXEC Mode.

### show ip proxy-arp

```
show ip proxy-arp
```

### Mode

Privileged EXEC Mode

## Examples

```
iS5Comm# show ip proxy-arp
 PROXY ARP Status

vlan1 : Disabled

```

## 22.21. traffic-share

To enable enables traffic sharing (load sharing of IP packets), use the command **traffic-share** in Global Configuration Mode. The no form of this command disables traffic sharing. Traffic sharing is the process by which the protocols select the route for traffic flow with regard to path cost calculation and load distribution. *EIGRP* (Enhanced Interior Gateway Routing Protocol) provides intelligent traffic sharing. Traffic sharing is controlled by selecting the mode of distribution. Traffic-share balanced distributes the traffic proportionately to the ratio of the metrics of different routes. The traffic-share min distributes the traffic in the route which has minimal cost path even if different paths are available.

### traffic-share

```
traffic-share
```

### no traffic-share

```
no traffic-share
```

### Mode

Global Configuration Mode

### Default

Load sharing is disabled

### Examples

```
iS5Comm(config)# traffic-share
```

## 22.22. debug ip arp

To set the debug level for *ARP* module and generate debug statements for the specified trace level or for all traces, use the command **debug ip arp** in Privileged EXEC Mode. The no form of the command disables the tracing in *ARP* module.

### debug ip arp

```
debug ip arp {all | init | data | control | dump | os | mgmt | failure |
buffer}
```

### no debug ip arp

```
no debug ip arp {all | init | data | control | dump | os | mgmt | failure |
buffer}
```

### Parameters

| Parameter | Type | Description                                                                                                                  |
|-----------|------|------------------------------------------------------------------------------------------------------------------------------|
| all       |      | Enter to generate debug statements for all kinds of traces.                                                                  |
| init      |      | Enter to generate debug statements for initialization and shutdown traces.                                                   |
| data      |      | Enter to generate debug statements for data path traces. T                                                                   |
| control   |      | Enter to generate debug statements for control path traces.                                                                  |
| dump      |      | Enter to generate debug statements for packet dump traces. This trace is currently not used in GARP module                   |
| os        |      | Enter to generate debug statements for OS resource related traces. This trace is generated during failure in message queues. |
| mgmt      |      | Enter to generate debug statements for management traces.                                                                    |
| failure   |      | Enter to generate debug statements for all kind of failure traces.                                                           |
| buffer    |      | Enter to generate debug statements for buffer related traces.                                                                |

### Mode

Privileged EXEC Mode

### Default

Tracing is disabled.

## Examples

```
iS5Comm# debug ip arp all
```

## 22.23. ip route

To add a static route, use the **ip route** command in Global Configuration Mode. The route defines the IP address or interface through which the destination can be reached. The no form of this command deletes a static route. If the static route is configured without any metric value, the route will be configured with metric value 1.

### ip route

```
ip route <ucast_addr> <ip_mask> <next-hop> [<distance_value (1-255)>]
[cybsec] [private]
```

```
<ucast_addr> <ip_mask> {<next-hop> | vlan <vlan-id/vfi-id> [switch
<switch-name>] [<next-hop>] | {Gigabitethernet <interface-id> |
Extreme-ethernet <interface-id> [<next-hop>] | Linuxvlan <interface-name> |
Cpu0 | tunnel <tunnel-id (0-128)> | <IP-interface-type> <IP-inter-
face-number> | ppp <1-10>} [<distance_value (1-255)>] [private] [permanent]
[name <nexthop-name>]}
```

### no ip route

```
no ip route <ucast_addr> <ip_mask> <next-hop> [<distance_value (1-255)>]
[cybsec] [private]
```

```
<ucast_addr> <ip_mask> {<next-hop> | vlan <vlan-id/vfi-id> [switch
<switch-name>] [<next-hop>] | {Gigabitethernet <interface-id> |
Extreme-ethernet <interface-id> [<next-hop>] | Linuxvlan <interface-name> |
Cpu0 | tunnel <tunnel-id (0-128)> | <IP-interface-type> <IP-inter-
face-number> | ppp <1-10>} [<distance_value (1-255)>] [private] [permanent]
[name <nexthop-name>]}
```

## Parameters

| Parameter                         | Type    | Description                                                                                                                                                                                                                                                                                                                                                                           |
|-----------------------------------|---------|---------------------------------------------------------------------------------------------------------------------------------------------------------------------------------------------------------------------------------------------------------------------------------------------------------------------------------------------------------------------------------------|
| <ucast_addr>                      | A.B.C.D | Enter to configure unicast destination IP address; 0.0.0.0 is IP address for a default route                                                                                                                                                                                                                                                                                          |
| <ip_mask>                         | A.B.C.D | Enter to configure a subnet mask for the destination; 0.0.0.0 is subnet mask for a default route                                                                                                                                                                                                                                                                                      |
| <next-hop>                        |         | Enter to configure the IP address or IP alias of the next hop that can be used to reach that network                                                                                                                                                                                                                                                                                  |
| cybsec                            |         | Enter for configure security application                                                                                                                                                                                                                                                                                                                                              |
| <distance_value (1-255)>          | Integer | Enter to configure the Administrative distance for the specified next hop address or the interface. This value ranges from 1 to 255. The default is 1.                                                                                                                                                                                                                                |
| private                           |         | Enter to configure a private route                                                                                                                                                                                                                                                                                                                                                    |
| <ucast_addr>                      | A.B.C.D | Enter to define unicast destination IP address; 0.0.0.0 is IP address for a default route                                                                                                                                                                                                                                                                                             |
| <ip_mask>                         | A.B.C.D | Enter to configure a subnet mask for the destination; 0.0.0.0 is subnet mask for a default route                                                                                                                                                                                                                                                                                      |
| <next-hop>                        |         | Enter to configure the IP address or IP alias of the next hop that can be used to reach that network                                                                                                                                                                                                                                                                                  |
| vlan                              |         | Enter for configure a vlan option.                                                                                                                                                                                                                                                                                                                                                    |
| <vlan-id/vfi-id>                  |         | specify the range of the specified VLAN ID This is a unique value that represents the specific VLAN created and activated. The range (1-4094) is for VLAN ID and the range (4096 - 65535) is for VFI. Note that if router ports are used then correspondingly the last set of vlans will not be available. For example, if router ports is 24, then max VLAN number will be 4070 only |
| switch                            |         | Enter to configure name of the switch.                                                                                                                                                                                                                                                                                                                                                |
| <switch-name>                     |         | Enter a name for the switch.                                                                                                                                                                                                                                                                                                                                                          |
| <next-hop>                        |         | Enter to configure the IP address or IP alias of the next hop that can be used to reach that network                                                                                                                                                                                                                                                                                  |
| Gigabitethernet<br><interface-id> |         | Enter to select Gigabit Ethernet interface. Gigabit Ethernet interface is a version of Ethernet that supports data transfer up to 10 Gigabits per second. This Ethernet supports only full duplex links. Specify the interface ID with a format <0>/<1-28>—slot number/port number                                                                                                    |

| Parameter                          | Type    | Description                                                                                                                                                                                                                                        |
|------------------------------------|---------|----------------------------------------------------------------------------------------------------------------------------------------------------------------------------------------------------------------------------------------------------|
| Extreme-Ethernet<br><interface-id> |         | Enter to select Extreme Ethernet interface. Extreme Ethernet interface is a version of LAN standard architecture that supports data transfer up to 1 Gigabit per second. Specify the interface ID with a format <0>/<1-28>—slot number/port number |
| Linuxvlan                          |         | Enter to specify Linux VLAN interface related configuration.                                                                                                                                                                                       |
| <interface-name>                   |         | Enter a name for the Linux VLAN Interface.                                                                                                                                                                                                         |
| Cpu0                               |         | Enter to set the Out of Band Management Interface for the route.                                                                                                                                                                                   |
| tunnel                             |         | Enter to configure the static route for the specified Tunnel Identifier.                                                                                                                                                                           |
| <tunnel-id<br>(0-128)>             |         | Enter a value for tunnel Identifier. This value ranges from 0 to 128.                                                                                                                                                                              |
| <IP-interface-type>                |         | Enter to configures the static route for the specified L3 Pseudo wire interface in the system                                                                                                                                                      |
| <IP-interface-number>              |         | Enter a value that represents the specific interface. This value ranges from 1 to 65535 for Pseudowire interface.                                                                                                                                  |
| ppp                                |         | Enter to configure the PPP (point-to-point protocol) interface for the route.                                                                                                                                                                      |
| <1-10>                             |         | Enter a value for PPP. The value ranges from 1 to 10                                                                                                                                                                                               |
| <distance_value<br>(1-255)>        | Integer | Enter to configure the Administrative distance for the specified next hop address or the interface. This value ranges from 1 to 255. The default is 1.                                                                                             |
| private                            |         | Enter to configure a private route                                                                                                                                                                                                                 |
| permanent                          |         | Enter to configure a switch name /context name; option default is available now.                                                                                                                                                                   |
| name                               |         | Enter to configure a next hop name.                                                                                                                                                                                                                |
| <nexthop-name>                     |         | Enter a next hop name.                                                                                                                                                                                                                             |

## Mode

### Global Configuration Mode



## Prerequisites

Interface must be a router port.

## Examples

```
iS5Comm (config)# ip route 30.0.0.2 255.255.255.255 vlan 1
```

```
iS5Comm (config)# ip route 30.0.0.2 255.255.255.255 gi 0/2 12.2
```

## 22.24. ip routing

To enable IP routing, use the command **ip routing** in Global Configuration Mode. The `no` form of this command disables IP routing. IP routing is the path defined by set of protocols for the data to follow across multiple networks from source to its destination. When an IP packet is to be forwarded, the router uses its forwarding table to determine the next hop address. The header in the IP packet has the next hop information.

### ip routing

```
ip routing
```

### no ip routing

```
no ip routing
```

### Mode

Global Configuration Mode

### Default

IP routing is enabled

### Examples

```
iS5Comm(config)# ip routing
```

## 22.25. show ip arp

To display the *IP ARP* table, use the **show ip arp** command in Privileged EXEC Mode.

**show ip arp**

```
show ip arp [{vlan <vlan-id/vfi-id> [switch <switch-name>] | {Gigabiteth-
ernet <interface-id> | Extreme-ethernet <interface-id> | <ipiftype> <ifnum>
| <ip-address> | <mac-address> | summary | information | statistics}]
```

## Parameters

| Parameter                          | Type    | Description                                                                                                                                                                                                                                                                                                                                                                                                     |
|------------------------------------|---------|-----------------------------------------------------------------------------------------------------------------------------------------------------------------------------------------------------------------------------------------------------------------------------------------------------------------------------------------------------------------------------------------------------------------|
| vlan                               |         | Enter for configure a vlan option to be displayed.                                                                                                                                                                                                                                                                                                                                                              |
| <vlan-id/vfi-id>                   | Integer | Enter to specify the range of the specified VLAN ID to be displayed. This is a unique value that represents the specific VLAN created and activated. The range (1-4094) is for VLAN ID and the range (4096 - 65535) is for VFI. Note that if router ports are used then correspondingly the last set of vlans will not be available. For example, if router ports is 24, then max VLAN number will be 4070 only |
| switch                             |         | Enter to configure name of the switch to be displayed.                                                                                                                                                                                                                                                                                                                                                          |
| <switch-name>                      |         | Enter a name for the switch to be displayed.                                                                                                                                                                                                                                                                                                                                                                    |
| Gigabitethernet<br><interface-id>  |         | Enter to select Gigabit Ethernet interface to be displayed. Gigabit Ethernet interface is a version of Ethernet that supports data transfer up to 10 Gigabits per second. This Ethernet supports only full duplex links. Specify the interface ID with a format <0>/<1-28>—slot number/port number                                                                                                              |
| Extreme-Ethernet<br><interface-id> |         | Enter to select Extreme Ethernet interface to be displayed. Extreme Ethernet interface is a version of LAN standard architecture that supports data transfer up to 1 Gigabit per second. Specify the interface ID with a format <0>/<1-28>—slot number/port number                                                                                                                                              |
| <ipiftype>                         |         | Enter to display the IP ARP information for the specified L3 Pseudo wire interface in the system.                                                                                                                                                                                                                                                                                                               |
| <ifnum>                            | Integer | Enter to display the IP ARP information for the specified L3 Pseudo wire interface identifier. This is a unique value that represents the specific interface. This value ranges from 1 to 65535 for Pseudowire interface.<br><b>NOTE:</b> Maximum number of Pseudowire interfaces supported in the system is 100.                                                                                               |
| <ip-address>                       |         | Enter to display the IP Address of ARP Entry                                                                                                                                                                                                                                                                                                                                                                    |
| <mac-address>                      |         | Enter to display the MAC Address of ARP Entry                                                                                                                                                                                                                                                                                                                                                                   |
| summary                            |         | Enter to display IP ARP Table summary.                                                                                                                                                                                                                                                                                                                                                                          |
| information                        |         | Enter to display the ARP Configuration information regarding maximum retries and ARP cache timeout.                                                                                                                                                                                                                                                                                                             |
| statistics                         |         | Enter to display the ARP statistics.                                                                                                                                                                                                                                                                                                                                                                            |

## Mode

Privileged EXEC Mode

## Examples

```
iS5Comm # show ip arp
```

| Address       | Hardware Address  | Type | Interface | Mapping |
|---------------|-------------------|------|-----------|---------|
| -----         | -----             | ---- | -----     | ----    |
| 192.168.10.10 | 54:e1:ad:07:0d:87 | ARPA | vlan1     | Dynamic |

## 22.26. show ip information

To display *IP* configuration information, use the command **show ip information** in Privileged EXEC Mode.

### show ip information

```
show ip information
```

## Mode

Privileged EXEC Mode

## Examples

```
iS5Comm# show ip information
```

```
Global IP Configuration:

IP routing is enabled
Default TTL is 64
ICMP redirects are always sent
ICMP unreachable are always sent
ICMP echo replies are always sent
ICMP mask replies are always sent
Number of aggregate routes is 50
Number of multi-paths is 2
Load sharing is disabled
Path MTU discovery is enabled
```

## 22.27. show ip pmtu

To display the configured *PMTU* entries, use the command **show ip pmtu** in Privileged EXEC Mode. The details include Destination *IP* address, Type of Service ( *ToS*), and *PMTU*.

### show ip pmtu

```
show ip pmtu
```

### Mode

Privileged EXEC Mode

### Examples

```
iS5Comm# show ip pmtu
```

```
Ip Path MTU Table
```

```

```

```
Destination ToS PMTU
```

```
----- --- ----
```

```
10.0.0.1 0 1800
```

## 22.28. show ip proxy-arp

To display the status of the proxy *ARP* for all created interfaces, use the command **show ip proxy-arp** in Privileged EXEC Mode.

### show ip proxy-arp

```
show ip proxy-arp
```

### Mode

Privileged EXEC Mode

### Examples

```
iS5Comm# show ip proxy-arp
```

```
PROXY ARP Status
```

```

```

```
vlan1 : Disabled
```

-----

## 22.29. show ip rarp

To display *RARP* configurations' information such as maximum number of *RARP* request retransmission retries and *RARP* request retransmission timeout, use the command **show ip rarp** in Privileged EXEC Mode. The number of responses discarded are also displayed.

### show ip rarp

```
show ip rarp
```

### Mode

Privileged EXEC Mode

### Examples

```
iS5Comm# show ip rarp
```

```
RARP Configurations:
```

```

```

```
Maximum number of RARP request retransmission retries is 4
```

```
RARP request retransmission timeout is 100 seconds
```

```
RARP Statistics:
```

```

```

```
0 responses discarded
```

## 22.30. show ip route

To display the IP routing table, use the **show ip route** command in Privileged EXEC Mode.

### show ip route

```
show ip route
```

```
 [{<ip-address> [<mask>] | bgp | connected | ospf [cybsec] | rip | static |
summary | details | isis | failed | cybsec}]
```

```
hardware
```

## Parameters

| Parameter    | Type | Description                                                                                                       |
|--------------|------|-------------------------------------------------------------------------------------------------------------------|
| <ip-address> |      | Enter to configure the IP routing table for the specified destination IP Address to be displayed.                 |
| mask         |      | Enter for the IP routing table for the specified prefix mask address to be displayed.                             |
| bgp          |      | Enter to specify the Border Gateway Protocol if it is used by the table to get route information to be displayed. |
| connected    |      | Enter for the Directly Connected Network Routes to be displayed.                                                  |
| ospf         |      | Enter to display the OSPF (Open Shortest Path First) protocol if it is used for getting route information.        |
| rip          |      | Enter to display the RIP (Routing Information Protocol) if it is used for getting route information.              |
| static       |      | Enter to display the Static Routes in the table.                                                                  |
| summary      |      | Enter to display the Summary of all routes.                                                                       |
| details      |      | Enter to display the information about route status (Route in Hardware, Route Reachable, Best route).             |
| isis         |      | Enter to display the information about the ISIS routes.                                                           |
| failed       |      | Enter to display the NPAPI programming failed routes.                                                             |
| cybsec       |      | Enter to display the cyber security routes including specific to OSPF.                                            |
| hardware     |      | Enter to display the routes programmed in hardware.                                                               |

## Mode

Privileged EXEC Mode

## Examples

iS5Comm # show ip route

Codes: C - connected, S - static, R - rip, B - bgp, O - ospf, I - isis,  
E - ECMP

IA - OSPF inter area, N1 - OSPF NSSA external type 1,  
N2 - OSPF NSSA external type 2, E1 - OSPF external type 1,

```
E2 - OSPF external type 2 L1 - ISIS Level1, L2 - ISIS Level2, ia - ISIS
Inter Ar
ea
```

```

```

```
C 192.168.10.0/24 is directly connected, vlan1
```

### iS5Comm # show ip route

```
Cybsec OSPF routes
```

```

```

```
Codes: O - OSPF, > - selected route, * - FIB route
```

```
O 192.168.50.0/24 [110/10] is directly connected to vlan50
```

## 22.31. show ip traffic

To display the *IP* protocol statistics, use the **show ip traffic** command in Privileged EXEC Mode.

### show ip traffic

```
show ip traffic
```

```
[interface {vlan <vlan-id/vfi-id> [switch <switch-name>] | tunnel
<tunnel-id (0-128)> | {Gigabitethernet <interface-id> | Extreme-ethernet
<interface-id> | Linuxvlan <interface-name> | <IP-interface-type> <IP-inter-
face-number>}}] [hc]
```



## Parameters

| Parameter                          | Type    | Description                                                                                                                                                                                                                                                                                                                                                                                                     |
|------------------------------------|---------|-----------------------------------------------------------------------------------------------------------------------------------------------------------------------------------------------------------------------------------------------------------------------------------------------------------------------------------------------------------------------------------------------------------------|
| interface                          |         | Enter to configure interface type and number to be displayed.                                                                                                                                                                                                                                                                                                                                                   |
| vlan                               |         | Enter for configure a vlan option to be displayed.                                                                                                                                                                                                                                                                                                                                                              |
| <vlan-id/vfi-id>                   | Integer | Enter to specify the range of the specified VLAN ID to be displayed. This is a unique value that represents the specific VLAN created and activated. The range (1-4094) is for VLAN ID and the range (4096 - 65535) is for VFI. Note that if router ports are used then correspondingly the last set of vlans will not be available. For example, if router ports is 24, then max VLAN number will be 4070 only |
| switch                             |         | Enter to configure name of the switch to be displayed.                                                                                                                                                                                                                                                                                                                                                          |
| <switch-name>                      |         | Enter a name for the switch to be displayed.                                                                                                                                                                                                                                                                                                                                                                    |
| tunnel                             |         | Enter to configure the static route for the specified Tunnel Identifier to be displayed.                                                                                                                                                                                                                                                                                                                        |
| <tunnel-id<br>(0-128)>             | Integer | Enter a value for tunnel Identifier to be displayed. This value ranges from 0 to 128.                                                                                                                                                                                                                                                                                                                           |
| Gigabitethernet<br><interface-id>  |         | Enter to select Gigabit Ethernet interface to be displayed. Gigabit Ethernet interface is a version of Ethernet that supports data transfer up to 10 Gigabits per second. This Ethernet supports only full duplex links. Specify the interface ID with a format <0>/<1-28>—slot number/port number                                                                                                              |
| Extreme-Ethernet<br><interface-id> |         | Enter to select Extreme Ethernet interface to be displayed. Extreme Ethernet interface is a version of LAN standard architecture that supports data transfer up to 1 Gigabit per second. Specify the interface ID with a format <0>/<1-28>—slot number/port number                                                                                                                                              |
| Linuxvlan                          |         | Enter to specify Linux VLAN interface related configuration to be displayed.                                                                                                                                                                                                                                                                                                                                    |
| <interface-name>                   |         | Enter a name for the Linux VLAN Interface to be displayed.                                                                                                                                                                                                                                                                                                                                                      |
| <IP-interface-type>                |         | Enter to the IP statistics for the specified L3 Pseudo wire interface in the system to be displayed.                                                                                                                                                                                                                                                                                                            |
| <IP-interface-number>              |         | Enter a value that represents the specific interface. This value ranges from 1 to 65535 for Pseudowire interface to be displayed.                                                                                                                                                                                                                                                                               |

| Parameter | Type | Description                                    |
|-----------|------|------------------------------------------------|
| hc        |      | Enter to display the high counters statistics. |

## Mode

Privileged EXEC Mode

## Examples

iS5Comm # show ip traffic

IP Statistics

-----

```
Rcvd: 10811 total, 0 header error discards
0 bad ip address discards, 0 unsupported protocol discards
Frgs: 0 reassembled, 30 timeouts, 0 needs reassembly 0 fragmented, 0
couldn't fragment
Bcast: Sent: 0 forwarded, 14954 generated requests
Drop: 0 InDiscards 10811 InDelivers 202 InMcastPkts
0 InTruncated 850384 InOctets 0 InNoRoutes
0 ReasmFails 8288 InMcast Octets 0 InBcastPkts
0 OutDiscards 0 OutMcastPkts 0 OutFrgCreates
0 OutForwDgrms 14923 OutTrnsmits 0 OutFrgRqds
3839361 OutOctets 0 OutMcstOctets 0 OutBcstPkts
0 DiscntTime 1000 RefrshRate
```

ICMP Statistics:

-----

```
Rcvd: 0 total, 0 InErrors, 0 unreachable, 0 redirects
0 time exceeded, 0 param problems, 0 quench
0 echo, 0 echo reply, 0 mask requests, 0 mask replies,
0 timestamp , 0 time stamp reply,
Sent: 0 total, 0 OutErrors, 0 unreachable, 0 redirects
0 time exceeded, 0 param problems, 0 quench
0 echo, 0 echo reply, 0 mask requests, 0 mask replies,
0 timestamp , 0 time stamp reply
```

iS5Comm # show ip traffic hc

IP High Count Statistics

-----

```
34931 InRcvd 2129183 InOctets 0 InFwdDgrms
```

```

34937 InDelivers 10228 OutRequests 0 OutFwdDgrms
10217 OutTrnsmits 848106 OutOctets 28159 InMcstPkts
1666345 InMcstOctets 0 OutMcstPkts 0 OutMcstOctets 0
InBcast 0 OutBcast

```

## 22.32. traceroute

To trace a route to the destination *IP*, use the **traceroute** command in Privileged EXEC Mode.

### traceroute

```
traceroute <ip-address> [min-ttl <value (1-99)>] [max-ttl <value (1-99)>]
```

### Parameters

| Parameter      | Type    | Description                                                                                                                                           |
|----------------|---------|-------------------------------------------------------------------------------------------------------------------------------------------------------|
| <ip-address>   |         | Enter to configure the destination IP address to which a route has to be traced.                                                                      |
| min-ttl        |         | Enter to configure the minimum value of the TTL (Time-to-Live) field to be filled up in the IP packets used for the trace route.                      |
| max-ttl        |         | Enter to configure the maximum value of the TTL field to be filled up in the IP packets used for the trace route.                                     |
| <value (1-99)> | Integer | Enter a minimum or maximum value of the TTL field to be filled up in the IP packets used for the trace route. This value ranges from 1 to 99 seconds. |

### Mode

Privileged EXEC Mode

### Default

- min-ttl - 1
- max-ttl - 15

### Prerequisites

The maximum value of the TTL field should be always greater than the minimum value of the TTL field.

## Examples

```
iS5Comm# traceroute ip 12.0.0.100 min-ttl 1 max-ttl 2
```

```
Tracing Route to 12.0.0.100 with 2 hops max and 1 byte packets
```

```
1 0.0.0.0 * * *
```

```
2 0.0.0.0
```

```
iS5Comm# traceroute ipv6 ffff::dddd min-ttl 1 max-ttl 2
```

```
Tracing Route to ffff::dddd with 2 hops max and 1 byte packets
```

```
1 :: * * *
```

```
2 :: * * *
```

# OSPF

## 23. OSPF

*OSPF* (Open Shortest Path First) protocol is an Interior Gateway Protocol used to distribute routing information within a single autonomous system. Routers use link-state algorithms to send routing information to all nodes in an inter-network by calculating the shortest path to each node based on topography of the Internet constructed by each node. Each router sends that portion of the routing table (keeps track of routes to particular network destinations), which describes the state of its own links, and it also sends the complete routing structure (topography).

A router attempting a graceful restart originates link-local Opaque- *LSAs*, herein called Grace- *LSAs*, announcing its intention to perform a graceful restart within a specified amount of time or "grace period". During the grace period, its neighbors continue to announce the restarting router in their *LSAs* as if it were fully adjacent (i.e., OSPF neighbor state Full), but only if the network topology remains static (i.e., the contents of the *LSAs* in the link-state database having LS types 1-5,7 remain unchanged and periodic refreshes are allowed). There are two roles being played by OSPF routers during graceful restart. First there is the router that is being restarted. Then there are the router's neighbors, which must cooperate in order for the restart to be graceful. During graceful restart, we say that the neighbors are running in "helper mode". For more details, refer to RFC 3623.

The advantage of shortest path first algorithms is that they result in smaller more frequent updates everywhere. They converge quickly, thus preventing such problems as routing loops and count-to-infinity (when routers continuously increment the hop count to a particular network). This makes for a stable network.

Before configuring OSPF, Route Redistribution (*RRD*) must be enabled. In addition, all *OSPF* interface related configurations, can be done only when the global *OSPF* is enabled.

### 23.1. abr-type

To set alternative *ABR* (Area Border Router) types, use the command **abr-type** in *OSPF* Router Configuration Mode. The no form of this command resets the configured alternative *ABR* type.

#### **abr-type**

```
abr-type {cisco | ibm | standard}
```

#### **no abr-type**

```
no abr-type
```

## Parameters

| Parameter | Type | Description                                                     |
|-----------|------|-----------------------------------------------------------------|
| cisco     |      | Enter to configure to CISCO ABR type as defined in RFC 3509.    |
| ibm       |      | Enter to configure to IBM ABR type as defined in RFC 3509.      |
| standard  |      | Enter to configure to Standard ABR type as defined in RFC 2328. |

## Mode

OSPF Router Configuration Mode

## Default

Standard

## Prerequisites

- RFC 2328 – OSPF Version 2
- RFC-3509 -- Alternative Implementations of OSPF Area Border Routers.

## Examples

```
iS5Comm(config)# router ospf
iS5Comm(config-router)# abr-type standard
```

## 23.2. area

To area related configuration of the *OSPF* router, use the command **area** in *OSPF* Router Configuration Mode. The no form of this command deletes the area related configuration or removes *OSPF* virtual links.

### area

```
area {<AreaId> range <Network> <Mask> {summary | Type7} [{advertise |
not-advertise}] [tag <tag-value>]}
| <area-id>
{ default-cost <cost>[tos <value(0-30)>]
| nssa [{no-summary | default-information-originate [metric <value
(0-16777215)>] [metric-type <Type(1-3)>] [tos <tos value (0-30)>] [no-redis-
tribution]]}
| stability-interval <Interval-Value (0 - 0x7fffffff)>
```

```

| stub [no-summary]
| translation-role {always | candidate}
| virtual-link <router-id>
{[authentication {simple | message-digest | sha-1 | sha-224 | sha-256 |
sha384 | sha-512 |null}]
[authentication-key <key (8)>
[message-digest-key <Key-id (0-255)> {md5 | sha-1 | sha-224 | sha-256 |
sha-384 | sha-512} <key(16)>]}
[dead-interval <value>]
[hello-interval <value (1-65535)>]
[key <Key-ID (0-255)> {start-accept <DD-MON-YEAR,HH:MM> | start-generate
<DD-MON-YEAR,HH:MM> | stop-accept <DD-MON-YEAR,HH:MM> | stop-generate
<DD-MON-YEAR,HH:MM>}
[retransmit-interval <value (1-3600)>]
[transmit-delay <value (1-3600)>]}
}

```

**no area**

```

no area <AreaId> range <Network> <Mask> {summary | Type7}
<area-id>
{ default-cost <cost>[tos <value(0-30)>]
| nssa [{no-summary | default-information-originate [metric <value
(0-16777215)>] [metric-type <Type(1-3)>] [[no-summary]]}]
| stability-interval
| stub [no-summary]
| translation-role | {stub | nssa}]
| virtual-link <router-id>
{[authentication]
[authentication-key | message-digest-key <Key-id (0-255)>] [dead-interval]
[hello-interval] [retransmit-interval [transmit-delay]

```

**NOTE:** The `no area <area-id> [{stub | nssa}]` command removes an area or converts stub/nssa to normal area. The backbone area cannot be set as Stub or NSSA.

## Parameters

| Parameter     | Type    | Description                                                                                                                                                                                                                                                                                                                                                                                                                                |
|---------------|---------|--------------------------------------------------------------------------------------------------------------------------------------------------------------------------------------------------------------------------------------------------------------------------------------------------------------------------------------------------------------------------------------------------------------------------------------------|
| <AreaId>      |         | Enter either a decimal value or as an IP address to configure the area associated with the OSPF address range and the identifier of the area about which routes are to be summarized.                                                                                                                                                                                                                                                      |
| range         |         | Enter to consolidate and summarize routes at an area boundary which is used only with Area Border Routers (ABRs). As a result, a single summary route is advertised to other areas by the ABR.<br><b>NOTE:</b> This command executes only if a particular area is configured as NSSA.                                                                                                                                                      |
| <Network>     |         | Enter an IP address to configure the IP address of the network indicated by the range.                                                                                                                                                                                                                                                                                                                                                     |
| <Mask>        |         | Enter the subnet mask that pertains to the range. The mask indicates the range of addresses being described by the particular route. For example, a summary-LSA for the destination 128.185.0.0 with a mask of 0xffff0000 actually is describing a single route to the collection of destinations 128.185.0.0 - 128.185.255.255.                                                                                                           |
| summary       |         | Enter to set the LSA type as summary LSA.                                                                                                                                                                                                                                                                                                                                                                                                  |
| Type7         |         | Enter to set the LSA type as Type-7 LSA.                                                                                                                                                                                                                                                                                                                                                                                                   |
| advertise     |         | Enter to set the address range status to advertise and generates a Type 3 summary link-state advertisement (LSA). When associated area Id is 0.0.0.0, aggregated Type-5 are generated. For associated other than 0.0.0.0 aggregated Type-7 is generated in NSSA x.x.x.x.                                                                                                                                                                   |
| not-advertise |         | Enter to set the address range status to Not Advertise. The Type 3 summary LSA is suppressed, and the component networks remain hidden from other networks. When associated area Id is 0.0.0.0, Type-5 is not generated for the specified range, while aggregated Type-7 are generated in all attached NSSA. For associated area Id x.x.x.x which is other than 0.0.0.0, Type-7 are not generated in NSSA x.x.x.x for the specified range. |
| tag           |         | Enter to configure the Tag Type to describe whether Tags will be generated automatically or manually configured.                                                                                                                                                                                                                                                                                                                           |
| <tag-value>   | Integer | Enter a tag value. This value ranges from 0 to 2147483647 with a default value of 2.                                                                                                                                                                                                                                                                                                                                                       |
| <area-id>     |         | Enter either a decimal value or as an IP address to configure the identifier for the stub or NSSA. For example, Area ID 0.0.0.0 is used for the OSPF backbone.                                                                                                                                                                                                                                                                             |



| Parameter                     | Type    | Description                                                                                                                                                                                                                                                                                                                       |
|-------------------------------|---------|-----------------------------------------------------------------------------------------------------------------------------------------------------------------------------------------------------------------------------------------------------------------------------------------------------------------------------------|
| default-cost                  |         | Enter to specify a cost for the default summary route sent into a stub or NSSA. This command is used only on an Area Border Router (ABR) attached to a stub or NSSA. This command provides the metric for the summary default route generated by the ABR into the stub area. A default cost can be defined only for a valid area. |
| <cost>                        | Integer | Enter a value for cost of the default summary route used for a stub or NSSA. This value ranges from 0 to 16777215. The default is 1.                                                                                                                                                                                              |
| tos                           |         | Enter to configure the Type of Service of the route being configured. It can be configured only if the code is compiled with TOS Support.                                                                                                                                                                                         |
| <tos value (0-30) >           | Integer | Enter a value for Type of Service of the route being configured. This value ranges from 0 to 30. The default value for TOS is 0.                                                                                                                                                                                                  |
| nssa                          |         | Enter to configure a particular area as not-so-stubby area (NSSA).                                                                                                                                                                                                                                                                |
| no-summary                    |         | Enter to allow an area to be a not-so-stubby area but not have summary routes injected into it.                                                                                                                                                                                                                                   |
| default-information-originate |         | Enter to configure the default route into OSPF used to generate a Type 7 default into the NSSA area.                                                                                                                                                                                                                              |
| metric                        |         | Enter to configure the Metric value applied to the route before it is advertised into the OSPF domain.                                                                                                                                                                                                                            |
| <value (0-16777215) >         | Integer | Enter a value for the Metric value applied to the route before it is advertised into the OSPF domain. This value ranges from 0 to 16777215. The default is 10.                                                                                                                                                                    |
| metric-type                   |         | Enter to configure the Metric Type applied to the route before it is advertised into the OSPF domain.                                                                                                                                                                                                                             |
| <Type (1-3) >                 | Integer | Enter a value for Metric Type applied to the route before it is advertised into the OSPF domain. This value ranges from 1 to 3. The default is 1                                                                                                                                                                                  |
| tos                           |         | Enter to configure the Type of Service of the route being configured. It can be configured only if the code is compiled with TOS Support                                                                                                                                                                                          |
| <tos value (0-30) >           | Integer | Enter a value for Type of Service of the route being configured. This value ranges from 0 to 30. The default value for TOS is 0.                                                                                                                                                                                                  |
| no-redistribution             |         | Enter to disable redistribution of routes from the given protocol into OSPF.                                                                                                                                                                                                                                                      |

| Parameter                          | Type    | Description                                                                                                                                                                                                                                                                                                                                                                                                                        |
|------------------------------------|---------|------------------------------------------------------------------------------------------------------------------------------------------------------------------------------------------------------------------------------------------------------------------------------------------------------------------------------------------------------------------------------------------------------------------------------------|
| stability-interval                 |         | Enter to configure the stability interval for NSSA where the Information describing the configured parameters and cumulative statistics of one of the router's attached areas.<br><b>NOTE:</b> This command executes only if NSSA is configured.                                                                                                                                                                                   |
| <Interval-Value (0 - 0x7fffffff) > | Integer | Enter a value for are no longer required, that it must continue to perform its translation duties. The interval value ranges between 0-0x7fffffff in seconds. The OSPF Sequence Number is a 32 bit signed integer. It starts with the value '8000001'h, -- or '-7FFFFFFF', and increments until '7FFFFFFF'h. Thus, a typical sequence number will be very negative. The default value is 40 seconds.                               |
| stub                               |         | Enter to configure an area as a stub area and other parameters related to that area. This command is configured on all routers and access servers in the stub area.                                                                                                                                                                                                                                                                |
| no-summary                         |         | Enter to prevent an Area Border Router (ABR) from sending summary link advertisements into the stub area by neither originating nor propagating summary LSA into the stub area.                                                                                                                                                                                                                                                    |
| translation-role                   |         | Enter to configure the translation role for the NSSA or the NSSA Border router's ability to perform NSSA Translation of Type-7 to Type-5 LSAs. Type-5 LSAs originate from AS (Autonomous system) boundary routers and flood through and out the AS. Each AS-external-LSA describes a route to a destination in another Autonomous System. Default routes for the AS can also be described by AS-external-LSAs.                     |
| always                             |         | Enter to set a translator role to where the Type-7 LSAs are always translated into Type-5 LSAs.                                                                                                                                                                                                                                                                                                                                    |
| candidate                          |         | Enter to set translator role where an NSSA border router participates in the translator election process. This is default.                                                                                                                                                                                                                                                                                                         |
| virtual-link                       |         | Enter to define an OSPF virtual link and its related parameter. In OSPF, all areas must be connected to a backbone area. If the connection to the backbone is lost, it can be repaired by establishing a virtual link. Hello-interval and dead-interval values must be the same for all routers and access servers on a specific network.<br><b>NOTE:</b> This command executes only if area is defined using the network command. |
| <router-id>                        |         | Enter a value for the router ID of the virtual neighbor.                                                                                                                                                                                                                                                                                                                                                                           |
| authentication                     |         | Enter to configure the authentication type.                                                                                                                                                                                                                                                                                                                                                                                        |

| Parameter          | Type | Description                                                                                                                                           |
|--------------------|------|-------------------------------------------------------------------------------------------------------------------------------------------------------|
| simple             |      | Enter to set the simple password authentication mechanism.                                                                                            |
| message-digest     |      | Enter to set the authentication type as message digest authentication mechanism.                                                                      |
| sha-1              |      | Enter to set the authentication type as Secure Hash Algorithm 1 (SHA1) authentication. SHA1 generates Authentication digest of length 20 bytes.       |
| sha-224            |      | Enter to set the authentication type as Secure Hash Algorithm 224 (SHA224) authentication. SHA224 generates Authentication digest of length 28 bytes  |
| sha-256            |      | Enter to set the authentication type as Secure Hash Algorithm 256 (SHA256) authentication. SHA256 generates Authentication digest of length 32 bytes. |
| sha-384            |      | Enter to set the authentication type as Secure Hash Algorithm 384 (SHA384) authentication. SHA384 generates Authentication digest of length 48 bytes  |
| sha-512            |      | Enter to set the authentication type as Secure Hash Algorithm 512 (SHA512) authentication. SHA512 generates Authentication digest of length 64 bytes. |
| null               |      | Enter to set the no password authentication. This is the default authentication method.                                                               |
| authentication-key |      | Enter to configure the authentication type.                                                                                                           |
| <key (8)>          |      | Enter to set the simple password authentication mechanism.                                                                                            |
| message-digest-key |      | Enter to configure the authentication type.                                                                                                           |
| <Key-id (0-255)>   |      | Enter to set the simple password authentication mechanism.                                                                                            |
| md5                |      | Enter to set the authentication type as message digest authentication mechanism.                                                                      |
| sha-1              |      | Enter to set the authentication type as Secure Hash Algorithm 1 (SHA1) authentication. SHA1 generates Authentication digest of length 20 bytes.       |
| sha-224            |      | Enter to set the authentication type as Secure Hash Algorithm 224 (SHA224) authentication. SHA224 generates Authentication digest of length 28 bytes  |

| Parameter            | Type    | Description                                                                                                                                                                                                                                                                              |
|----------------------|---------|------------------------------------------------------------------------------------------------------------------------------------------------------------------------------------------------------------------------------------------------------------------------------------------|
| sha-256              |         | Enter to set the authentication type as Secure Hash Algorithm 256 (SHA256) authentication. SHA256 generates Authentication digest of length 32 bytes.                                                                                                                                    |
| sha-384              |         | Enter to set the authentication type as Secure Hash Algorithm 384 (SHA384) authentication. SHA384 generates Authentication digest of length 48 bytes                                                                                                                                     |
| sha-512              |         | Enter to set the authentication type as Secure Hash Algorithm 512 (SHA512) authentication. SHA512 generates Authentication digest of length 64 bytes.                                                                                                                                    |
| <key(16)>            |         | Enter a value to configure the cryptographic key value which is used to create the message digest appended to the OSPF packet. All neighboring routers on the same network must have the same key identifier and key to route OSPF traffic. This is a string with maximum 16 characters. |
| dead-interval        |         | Enter to configure the interval at which hello packets must not be seen before its neighbors declare the router down. As with the hello interval, this value must be the same for all routers and access servers attached to a common network.                                           |
| <value>              | Integer | Enter a value for the interval at which hello packets must not be seen before its neighbors declare the router down. The default is 40 seconds.                                                                                                                                          |
| hello-interval       |         | Enter to configure the interval at which hello packets must not be seen before its neighbors declare the router down. As with the hello interval, this value must be the same for all routers and access servers attached to a common network.                                           |
| <value<br>(1-65535)> | Integer | Enter a value for the interval at which hello packets must not be seen before its neighbors declare the router down. This value ranges from 1 to 65535 in seconds with a default of 0 seconds.                                                                                           |
| key                  |         | Enter to configure the time the router starts accepting packets that is created with the configured key id.                                                                                                                                                                              |
| <Key-ID<br>(0-255)>  |         | Enter a value for the secret key used to create the message digest appended to the OSPF packet. This value ranges from 0 to 255.                                                                                                                                                         |

| Parameter            | Type | Description                                                                                                                                                                                                                                                                                                                                                                                                                                  |
|----------------------|------|----------------------------------------------------------------------------------------------------------------------------------------------------------------------------------------------------------------------------------------------------------------------------------------------------------------------------------------------------------------------------------------------------------------------------------------------|
| start-accept         |      | Enter to configure the time when the router will start accepting packets that have been created with the configured key-id.<br><b>NOTE:</b> This command executes only if, <ul style="list-style-type: none"> <li>• Area is defined using the network command</li> <li>• Authentication key for Message Digest Authentication is configured for the specified area</li> </ul>                                                                |
| <DD-MON-YEAR, HH:MM> |      | Enter a value for the time when the router will start accepting packets that have been created with the configured key-id. This value is the sum of configured time and the system time at which the start-accept value is configured and is configured in 24 hours format.<br><b>NOTE:</b> For example, Tuesday May 26, 2013 at 1:30 PM should be configured as, 26-May-2013,13:30                                                          |
| start-generate       |      | Enter to configure the time when the router will start generating OSPF packets with the configured key id.<br><b>NOTE:</b> This command executes only if, <ul style="list-style-type: none"> <li>• Area is defined using the network command</li> <li>• Authentication key for Message Digest Authentication is configured for the specified area</li> </ul>                                                                                 |
| <DD-MON-YEAR, HH:MM> |      | Enter a value for the time when the router will start generating OSPF packets with the configured key id. This value is the sum of the configured time and the system time at which the start-generate value is configured. Start Generate Time value is configured in 24 hours format. Default value is set as current system time.<br><b>NOTE:</b> For example, Tuesday May 26, 2013 at 1:30 PM should be configured as, 26-May-2013,13:30 |
| stop-generate        |      | Enter to configure the time when the router will stop generating OSPF packets with the configured key id.<br><b>NOTE:</b> This command executes only if, <ul style="list-style-type: none"> <li>• Area is defined using the network command</li> <li>• Authentication key for Message Digest Authentication is configured for the specified area</li> </ul>                                                                                  |

| Parameter            | Type | Description                                                                                                                                                                                                                                                                                                                                           |
|----------------------|------|-------------------------------------------------------------------------------------------------------------------------------------------------------------------------------------------------------------------------------------------------------------------------------------------------------------------------------------------------------|
| <DD-MON-YEAR, HH:MM> |      | Enter a value for the time when the router will stop generating OSPF packets with the configured key id. Stop Generate value is configured in 24 hours format. Default value is set to the current system time.<br><b>NOTE:</b> For example, Tuesday May 26, 2013 at 1:30 PM should be configured as, 26-May-2013,13:30                               |
| stop-accept          |      | Enter to configure the time when the router will stop accepting OSPF packets with specified key id.<br><b>NOTE:</b> This command executes only if, <ul style="list-style-type: none"> <li>• Area is defined using the network command</li> <li>• Authentication key for Message Digest Authentication is configured for the specified area</li> </ul> |
| <DD-MON-YEAR, HH:MM> |      | Enter a value for the time when the router will stop accepting OSPF packets with specified key id. Stop accept value is configured in 24 hours format.<br><b>NOTE:</b> For example, Tuesday May 26, 2013 at 1:30 PM should be configured as, 26-May-2013,13:30                                                                                        |
| retransmit-interval  |      | Enter to configure the time between link-state advertisement (LSA) retransmissions for adjacencies belonging to the OSPF virtual link interface.                                                                                                                                                                                                      |
| <value (1-3600)>     |      | Enter a value for the time between link-state advertisement (LSA) retransmissions for adjacencies belonging to the OSPF virtual link interface. This value ranges from 1 to 3600 in seconds with a default of 5.                                                                                                                                      |
| transmit-delay       |      | Enter to configure the time in which the router will stop using this key for packets generation. Estimated time required to send a link-state update packet on the interface. Integer value that must be greater than zero. LSAs in the update packet have their age incremented by this amount before transmission                                   |
| <value (1-3600)>     |      | Enter a value for the time in which the router will stop using this key for packets generation. This value ranges from 1 to 3600 in seconds with a default of 1 second.                                                                                                                                                                               |

## Mode

### OSPF Router Configuration Mode

## Examples

```
iS5Comm(config)# router ospf
iS5Comm(config-router)# area 10.0.0.1 range 10.0.0.0 255.0.0.0 summary advertise tag 10
iS5Comm(config-router)# area 10.0.0.1 default-cost 5
iS5Comm(config-router)# area 10.0.0.1 nssa
iS5Comm(config-router)# area 10.0.0.1 stub
iS5Comm(config-router)# area 10.0.0.1 stability-interval 10000
iS5Comm(config-router)# area 10.0.0.1 translation-role always
iS5Comm(config-router)# area 1.1 virtual-link 0.0.0.1 authentication simple hello-interval 65
retransmit-interval 654 dead-interval 200 message-digest-key 20 sha-512 key11
iS5Comm(config-router)# area 1.1 virtual-link 0.0.0.1 key 20 start-accept 23-Jun-2014,19:18
iS5Comm(config-router)# area 1.1 virtual-link 0.0.0.1 key 20 start-generate 23-Jun-2014,19:18
iS5Comm(config-router)# area 1.1 virtual-link 0.0.0.1 key 20 stop-generate 26-Jun-2014,19:18
iS5Comm(config-router)# area 1.1 virtual-link 0.0.0.1 key 20 stop-accept 26-Jun-2014,19:18
```

## 23.3. ASBR Router

To specify a router as *ASBR*, use the command **ASBR Router** in OSPF Router Configuration Mode. The no form of this command disables the router as *ASBR*. A router that act as gateway (redistribution link) between OSPF and other routing protocols ( *IGRP*, *EIGRP*, *RIP*, *BGP*, Static) or other instances of the OSPF routing process is called autonomous system boundary router ( *ASBR*).

### ASBR Router

```
ASBR Router
```

### no ASBR Router

```
no ASBR Router
```

### Mode

```
OSPF Router Configuration Mode
```

## Examples

```
iS5Comm(config)# router ospf
iS5Comm(config-router)# ASBR Router
```

## 23.4. bfd

To enable Bidirectional Forwarding Detection (*BFD*) monitoring on all or specific *OSPF* interfaces, use the command **bfd** in *OSPF* Router Configuration Mode. The **no** form of the command disables *BFD* monitoring on all or specific *OSPF* interfaces. The *BFD* protocol is a simple hello mechanism that detects failures in a network. *BFD* works with a wide variety of network environments and topologies. A pair of routing devices exchange *BFD* packets, and hello packets are sent at a specified regular interval.

### bfd

```
bfd {all-interface | <interface-type> <interface-id> | vlan <vlan-id
(1-4094)> [switch <switch-name>]}
```

### no bfd

```
no bfd {all-interface | <interface-type> <interface-id> | vlan <vlan-id
(1-4094)> [switch <switch-name>]}
```

### Parameters

| Parameter          | Type    | Description                                                                                                                                                                                                                                                                                                   |
|--------------------|---------|---------------------------------------------------------------------------------------------------------------------------------------------------------------------------------------------------------------------------------------------------------------------------------------------------------------|
| all-interface      |         | Enter to enable BFD monitoring on all OSPF interfaces.                                                                                                                                                                                                                                                        |
| <interface-type>   |         | Enter an interface type on which BFD monitoring to be enabled.                                                                                                                                                                                                                                                |
| <interface-id>     |         | Enter an interface identifier on which BFD monitoring to be enabled. The interface identifier is a unique value that represents the specific interface. This value is a combination of slot number and port number separated by a slash. For example: 0/1 represents a slot number of 0 and port number of 1. |
| vlan               |         | Enter to enable BFD monitoring on the specified VLAN ID                                                                                                                                                                                                                                                       |
| <vlan-id (1-4094)> | Integer | Enter a VLAN ID on which BFD monitoring is to be enabled. This value ranges from 1 to 4094.                                                                                                                                                                                                                   |
| switch             |         | Enter to configure a switch name.                                                                                                                                                                                                                                                                             |
| <switch-name>      |         | Enter default for switch name.                                                                                                                                                                                                                                                                                |

### Mode

OSPF Router Configuration Mode



## Default

BFD is disabled for all interfaces.

## Prerequisites

This command can be configured only if bfd is enabled and OSPF is started on the interface.

## Examples

```
iS5Comm(config)# router ospf
iS5Comm(config-router)# bfd all-interface
iS5Comm (config-router)# bfd vlan 1 switch default
```

## 23.5. capability opaque

To enable the capability of storing opaque *LSAs* (link state advertisements), use the command **capability opaque** in *OSPF* Router Configuration Mode. The no form of this command disables the opaque capability. The Opaque LSAs are new class of link state advertisements ( *LSAs*) that provide a generalized mechanism to allow for the future extensibility of *OSPF*. Opaque *LSAs* are types 9, 10, and 11 link state advertisements. The link-state ID of the Opaque *LSA* is divided into an Opaque type field (the first 8 bits) and a type-specific ID (the remaining 24bits). Refer to RFC 5250 for more details.

### capability opaque

```
capability opaque
```

### no capability opaque

```
no capability opaque
```

## Mode

OSPF Router Configuration Mode

## Default

Opaque capability is disabled

## Examples

```
iS5Comm(config)# router ospf
```

```
iS5Comm(config-router)# capability opaque
```

## 23.6. compatible rfc1583

To set *OSPF* compatibility list compatible with RFC 1583 and control the preference rules when choosing among multiple AS external *LSAs* advertising the same destination, use the command **compatible rfc1583** in OSPF Router Configuration Mode. The no form of this command disables RFC 1583 compatibility. When such compatibility is enabled, the preference rules remain those specified by RFC 1583. When the compatibility is set to disabled, the preference rules are those stated in RFC 2178.

### compatible rfc1583

```
compatible rfc1583
```

### no compatible rfc1583

```
no compatible rfc1583
```

### Mode

OSPF Router Configuration Mode

### Default

OSPF is Compatible

### Examples

```
iS5Comm(config)# router ospf
iS5Comm(config-router)# compatible rfc1583
```

## 23.7. debug ip ospf

To set *OSPF* debug level, use the command **debug ip ospf** in Privileged EXEC Mode. The no form of the command removes *OSPF*-related configuration.

### debug ip ospf

```
debug ip arp {pkt {hp | ddp | lrq | lsu | lsa} | module {adj_formation | ism
| nsm | config | interface | restarting-router | helper | redundancy}}
```

**no debug ip ospf**

```
no debug ip ospf [pkt {hp | ddp | lrq | lsu | lsa} [module {adj_formation |
ism | nsm | config | interface | restarting-router | helper | redundancy}
[all]
```

**Parameters**

| Parameter     | Type | Description                                                                            |
|---------------|------|----------------------------------------------------------------------------------------|
| pkt           |      | Enter to generate debug statements for Packet High Level Dump traces.                  |
| hp            |      | Enter to generate debug statements for DDP (Datagram Delivery Protocol) packet traces. |
| lrq           |      | Enter to generate debug statements for Link State Request Packet traces.               |
| lsu           |      | Enter to generate debug statements for Link State Update Packet traces.                |
| lsa           |      | Enter to generate debug statements for Link State Acknowledge Packet traces            |
| module        |      | Enter to generate debug statements for RTM Module traces.                              |
| adj_formation |      | Enter to generate debug statements for Adjacency formation traces.                     |
| ism           |      | Enter to generate debug statements for Interface State Machine traces.                 |
| nsm           |      | Enter to generate debug statements for Neighbor State Machine traces.                  |
| config        |      | Enter to generate debug statements for Configuration traces.                           |
| interface     |      | Enter to generate debug statements for Interface.                                      |
| helper        |      | Enter to generate debug statements for messages related to router in Helper Mode.      |
| redundancy    |      | Enter to generate debug statements for redundancy messages.                            |
| all           |      | Enter to generate debug statements for all messages.                                   |

**Mode**

Privileged EXEC Mode

**Examples**

```
iS5Comm# debug ip ospf pkt hp
```

## 23.8. disable bfd

To disable Bidirectional Forwarding Detection ( *BFD*) feature in *OSPF*, use the command **disable bfd** in *OSPF* Router Configuration Mode. If it is disabled, *OSPF* will not register with *BFD* for neighbor IP path monitoring.

### disable bfd

```
disable bfd
```

### Mode

OSPF Router Configuration Mode

### Default

BFD feature is disabled.

### Examples

```
iS5Comm(config)# router ospf
iS5Comm(config-router)# disable bfd
```

## 23.9. default-information

To enable generation of a default external route into an *OSPF* routing domain and configure other parameters related to that area, use the command **default-information** in *OSPF* Router Configuration Mode. The **no** form of the command disables generation of a default external route into an *OSPF* routing domain.

### default-information

```
default-information originate always [metric <metric-value (0-16777215)>]
[metric-type <type (1-2)>]
```

### no default-information

```
no default-information originate always [metric <metric-value (0-16777215)>]
[metric-type <type (1-2)>]
```

## Parameters

| Parameter                                      | Type    | Description                                                                                                                                                                                                                                                                                                                                                                    |
|------------------------------------------------|---------|--------------------------------------------------------------------------------------------------------------------------------------------------------------------------------------------------------------------------------------------------------------------------------------------------------------------------------------------------------------------------------|
| <code>originate</code>                         |         | Enter to enable generation of a default external route into an OSPF routing domain.                                                                                                                                                                                                                                                                                            |
| <code>always</code>                            |         | Enter to configure advertising of the default route always regardless of whether the software has a default route.                                                                                                                                                                                                                                                             |
| <code>metric</code>                            |         | Enter to configure to set the Metric value applied to the route before it is advertised into the OSPF Domain Metric used for generating the default route.                                                                                                                                                                                                                     |
| <code>&lt;metric-value (0-16777215)&gt;</code> | Integer | Enter a metric value to be applied to the route before it is advertised into the OSPF Domain Metric used for generating the default route. If you omit a value and do not specify a value using the <code>default-metric</code> router configuration command, the default metric value is 1. The value used is specific to the protocol. This value ranges from 0 to 16777215. |
| <code>metric-type</code>                       |         | Enter to configure a metric type to be applied to the route before it is advertised into the OSPF Domain External link type associated with the default route advertised into the OSPF routing domain.                                                                                                                                                                         |
| <code>&lt;type (1-2)&gt;]</code>               | Integer | Enter a metric type to be applied to the route before it is advertised into the OSPF Domain External link type associated with the default route advertised into the OSPF routing domain. It can be one of the following values: <ul style="list-style-type: none"> <li>• 1—Sets Type 1 external route</li> <li>• 2—Sets Type 2 external route</li> </ul>                      |

## Mode

OSPF Router Configuration Mode

## Default

- `metric` - 10
- `metric-type` - 2

## Examples

```
iS5Comm(config)# router ospf
```

```
iS5Comm(config-router)# default-information originate always metric 1 metric-type 1
```

## 23.10. distance

To update the routes filtered via route-map at *IP* routing layer, use the command **distance** in *OSPF* Router Configuration Mode. The no form of this command disables the administrative distance (route preference).

### distance

```
distance <1-255> [route-map <name(1-20)>]
```

### no distance

```
no distance
```

### Parameters

| Parameter    | Type | Description                                                                                                                                                                                                                                                                                                                                                                                    |
|--------------|------|------------------------------------------------------------------------------------------------------------------------------------------------------------------------------------------------------------------------------------------------------------------------------------------------------------------------------------------------------------------------------------------------|
| <1-255>      |      | Enter a value for the administrative distance. The distance value (i.e. the preference value) ranges between 1 and 255. The administrative distance (route preference value) can be updated for routes filtered via only one route map. The distance (route preference) should be disassociated for the already associated route map if distance needs to be associated for another route map. |
| route-map    |      | Enter to configure the name of the Route Map for which the distance value should be enabled and set                                                                                                                                                                                                                                                                                            |
| <name(1-20)> |      | Enter a name for the Route Map for which the distance value should be enabled and set. This value is a string with maximum string of 20.                                                                                                                                                                                                                                                       |

### Mode

OSPF Router Configuration Mode

### Default

0 (Represents directly connected route)

### Prerequisites

This command executes only if OSPF router is enabled

### Examples

```
iS5Comm(config)# router ospf
```

```
iS5Comm(config-router)# distance 10 route-map rmap-test
```

## 23.11. distribute-list

To enable inbound filtering for routes and define the conditions for distributing the routes from one routing protocol to another, use the command **distribute-list** in *OSPF* Router Configuration Mode. The no form of the command disables inbound filtering for the routes.

### distribute-list

```
distribute-list route-map <name (1-20)> in
```

### no distribute-list

```
no distribute-list route-map <name (1-20)> in
```

### Parameters

| Parameter      | Type    | Description                                                                                                                                                                                                                       |
|----------------|---------|-----------------------------------------------------------------------------------------------------------------------------------------------------------------------------------------------------------------------------------|
| route-map      |         | Enter to configure the name of the Route Map for which filtering should be enabled. Only one route map can be set for inbound routes. Another route map can be assigned, only if the already associated route map is disassociate |
| <name (1-20) > | Integer | Enter a name for a route map. This is a string with maximum size of 20.                                                                                                                                                           |
| in             |         | Enter to configure inbound filtering configuration                                                                                                                                                                                |

### Mode

OSPF Router Configuration Mode

### Examples

```
iS5Comm(config)# router ospf
```

```
iS5Comm(config-router)# distribute-list route-map rmap-test in
```

**NOTE:** The **clear ip ospf** command will have to be executed for this to take effect.

## 23.12. enable bfd

To enable Bidirectional Forwarding Detection ( *BFD* ) feature in *OSPF*, use the command **enable bfd** in *OSPF* Router Configuration Mode. The *BFD* protocol is a simple hello mechanism that detects failures in

a network. *BFD* works with a wide variety of network environments and topologies. A pair of routing devices exchange *BFD* packets, and hello packets are sent at a specified regular interval. This command registers *OSPF* with *BFD* for neighbor IP path monitoring.

### enable bfd

```
enable bfd
```

## Mode

OSPF Router Configuration Mode

## Default

BFD feature is disabled.

## Examples

```
iS5Comm(config)# router ospf
iS5Comm(config-router)# enable bfd
```

## 23.13. ip ospf

To *OSPF*-related configuration, use the command **ip ospf** in OSPF Router Configuration Mode. The no form of this command deletes the *OSPF*-related configuration or sets all configured values to default.

### ip ospf

```
ip ospf
 {authentication {simple | message-digest | sha-1 | sha-224 | sha-256 |
 sha384 | sha-512 | null | simple}
 | authentication-key <key (8)>
 | bfd [disable]
 | cost <cost (1-65535)> [tos <value(0-30)>]
 | dead-interval <seconds (1-65535)>
 | demand-circuit
 | hello-interval <seconds (1 - 65535)>
 | key <Key-ID (0-255)> {start-accept <DD-MON-YEAR,HH:MM> | start-generate
 <DD-MON-YEAR,HH:MM> | stop-accept <DD-MON-YEAR,HH:MM> | stop-generate
 <DD-MON-YEAR,HH:MM>}
 | message-digest-key <Key-id (0-255)> {md5 | sha-1 | sha-224 | sha-256 |
 sha-384 | sha-512} <key(16)>}
```



```
| network {broadcast | non-broadcast | point-to-multipoint |
point-to-point}
| priority <value (0 - 255)>
| retransmit-interval <value (1-3600)>
| transmit-delay <value (1-3600)>
}
```

**no ip ospf**

```
no ip ospf
{authentication
| authentication-key
| cost [tos <value(0-30)>]
| dead-interval
| demand-circuit
| hello-interval
| message-digest-key <Key-id (0-255)>
| network
| priority
| retransmit-interval
| transmit-delay }
```

## Parameters

| Parameter          | Type    | Description                                                                                                                                                                                                                                                                                                                                                                                                                                                                   |
|--------------------|---------|-------------------------------------------------------------------------------------------------------------------------------------------------------------------------------------------------------------------------------------------------------------------------------------------------------------------------------------------------------------------------------------------------------------------------------------------------------------------------------|
| authentication     |         | Enter to configure the authentication type as simple password authentication mechanism. Note that this command executes only if Message digest Key is configured.                                                                                                                                                                                                                                                                                                             |
| simple             |         | Enter to set the authentication type as message digest authentication mechanism.                                                                                                                                                                                                                                                                                                                                                                                              |
| message-digest     |         | Enter to set the authentication type as message digest authentication mechanism.                                                                                                                                                                                                                                                                                                                                                                                              |
| sha-1              |         | Enter to set the authentication type as Secure Hash Algorithm 1 (SHA1) authentication. SHA1 generates Authentication digest of length 20 bytes.                                                                                                                                                                                                                                                                                                                               |
| sha-224            |         | Enter to set the authentication type as Secure Hash Algorithm 224 (SHA224) authentication. SHA224 generates Authentication digest of length 28 bytes.                                                                                                                                                                                                                                                                                                                         |
| sha-256            |         | Enter to set the authentication type as Secure Hash Algorithm 256 (SHA256) authentication. SHA256 generates Authentication digest of length 32 bytes.                                                                                                                                                                                                                                                                                                                         |
| sha-384            |         | Enter to set the authentication type as Secure Hash Algorithm 384 (SHA384) authentication. SHA384 generates Authentication digest of length 48 bytes.                                                                                                                                                                                                                                                                                                                         |
| sha-512            |         | Enter to set the authentication type as Secure Hash Algorithm 512 (SHA512) authentication. SHA512 generates Authentication digest of length 64 bytes.                                                                                                                                                                                                                                                                                                                         |
| null               |         | Enter to set the no password authentication. This is the default authentication method. This is the default option.                                                                                                                                                                                                                                                                                                                                                           |
| authentication-key |         | Enter to configure a password to be used by neighboring routers that are using the OSPF simple password authentication. The password created by this command is used as a key that is inserted directly into the OSPF header when the routing protocol packets are originated. A separate password can be assigned to each network on a per-interface basis. All neighboring routers on the same network must have the same password to be able to exchange OSPF information. |
| <key (8)>          | Integer | Enter to set the simple password authentication mechanism. The size of the password is 8 bytes. The password string can contain from 1 to 8 uppercase and lowercase alphanumeric characters.                                                                                                                                                                                                                                                                                  |

| Parameter            | Type    | Description                                                                                                                                                                                                                                                                                                                                                                                                                                                                                                                                                           |
|----------------------|---------|-----------------------------------------------------------------------------------------------------------------------------------------------------------------------------------------------------------------------------------------------------------------------------------------------------------------------------------------------------------------------------------------------------------------------------------------------------------------------------------------------------------------------------------------------------------------------|
| bfd                  |         | <p>Enter to enables or disables BFD support on the interface. If this is enabled, OSPF will register with BFD for monitoring the neighbor IP path for the neighbors associated with this OSPF interface.</p> <p><b>NOTE:</b> BFD disabled for a specific interface using this command will be internally enabled on the execution of bfd all-interface command.</p> <p><b>NOTE:</b> This command can be configured only if BFD is enabled and OSPF is started on the interface. By using this command, any BFD disabled for a specific interface will be enabled.</p> |
| disable              |         | <p>Enter to disable BFD support on the interface. When disabled, it will de-register from BFD for the all neighbors associated with this interface and no longer allows registration with BFD for the neighbors associated with this interface.</p>                                                                                                                                                                                                                                                                                                                   |
| cost                 |         | <p>Enter to specify the cost of sending a packet on an interface. The link-state metric is advertised as the link cost in the router link advertisement. the path cost is calculated using the following formula:</p> <p><math>108 / \text{bandwidth}</math></p> <p>For example when using this formula, the default path costs are calculated:</p> <ul style="list-style-type: none"> <li>• 56-kbps serial link-Default cost is 1785</li> <li>• Ethernet-Default cost is 10</li> </ul>                                                                               |
| <cost>               | Integer | <p>Enter a value for the Type 1 external metrics which is expressed in the same units as OSPF interface cost, that is in terms of the OSPF link state metric. This value ranges from 1 to 65535.</p>                                                                                                                                                                                                                                                                                                                                                                  |
| tos                  |         | <p>Enter to configure the Type of Service of the route being configured. It can be configured only if the code is compiled with TOS Support.</p>                                                                                                                                                                                                                                                                                                                                                                                                                      |
| <tos value (0-30) >  | Integer | <p>Enter a value for Type of Service of the route being configured. This value ranges from 0 to 30. The default value for TOS is 0.</p>                                                                                                                                                                                                                                                                                                                                                                                                                               |
| dead-interval        |         | <p>Enter to set the interval (in seconds) at which hello packets must not be seen before neighbors declare the router down. The interval is advertised in router hello packets</p>                                                                                                                                                                                                                                                                                                                                                                                    |
| <seconds (1-65535) > | Integer | <p>Enter a value for the interval (in seconds) at which hello packets must not be seen before neighbors declare the router down. This value ranges from 1 to 65535. The default is 40.</p>                                                                                                                                                                                                                                                                                                                                                                            |

| Parameter             | Type    | Description                                                                                                                                                                                                                                                                                                                                                                                                                                                                                                                                                                                                                                                                                                                                             |
|-----------------------|---------|---------------------------------------------------------------------------------------------------------------------------------------------------------------------------------------------------------------------------------------------------------------------------------------------------------------------------------------------------------------------------------------------------------------------------------------------------------------------------------------------------------------------------------------------------------------------------------------------------------------------------------------------------------------------------------------------------------------------------------------------------------|
| demand-circuit        |         | <p>Enter to configure OSPF to treat the interface as an OSPF demand circuit. On point-to-point interfaces, only one end of the demand circuit must be configured. This command allows the underlying data link layer to be closed when the topology is stable. It indicates whether Demand OSPF procedures (hello suppression to FULL neighbors and setting the DoNotAge flag on imported LSAs must be performed on this interface.</p> <p>On point-to-point interfaces, only one end of the demand circuit must be configured with this command. Periodic hello messages are suppressed and periodic refreshes of link-state advertisements (LSAs) do not flood the demand circuit. This command executes only if OSPF routing process is enabled.</p> |
| hello-interval        |         | Enter to configure the interval (in seconds) between hello packets sent on the interface. This value is advertised in the hello packets. The smaller the hello interval, the faster topological changes will be detected.                                                                                                                                                                                                                                                                                                                                                                                                                                                                                                                               |
| <seconds (1 - 65535)> | Integer | Enter a value to configure the interval (in seconds) between hello packets sent on the interface. This value ranges from 1 to 65535. This value must be the same for all routers attached to a common network.                                                                                                                                                                                                                                                                                                                                                                                                                                                                                                                                          |
| key                   |         | Enter to configure the time the router starts accepting packets that is created with the configured key id.                                                                                                                                                                                                                                                                                                                                                                                                                                                                                                                                                                                                                                             |
| <Key-ID (0-255)>      | Integer | Enter a value for the secret key used to create the message digest appended to the OSPF packet. This value ranges from 0 to 255.                                                                                                                                                                                                                                                                                                                                                                                                                                                                                                                                                                                                                        |
| start-accept          |         | <p>Enter to configure the time when the router will start accepting packets that have been created with the configured key-id.</p> <p><b>NOTE:</b> This command executes only if,</p> <ul style="list-style-type: none"> <li>• Authentication key for Simple Password Authentication is removed</li> <li>• OSPF Message Digest authentication is enabled and authentication type is specified for the interface</li> </ul>                                                                                                                                                                                                                                                                                                                              |
| <DD-MON-YEAR, HH :MM> |         | <p>Enter a value for the time when the router will start accepting packets that have been created with the configured key-id. This value is the sum of configured time and the system time at which the start-accept value is configured and is configured in 24 hours format.</p> <p><b>NOTE:</b> For example, Tuesday May 26, 2013 at 1:30 PM should be configured as, 26-May-2013,13:30</p>                                                                                                                                                                                                                                                                                                                                                          |

| Parameter            | Type | Description                                                                                                                                                                                                                                                                                                                                                                                                                                             |
|----------------------|------|---------------------------------------------------------------------------------------------------------------------------------------------------------------------------------------------------------------------------------------------------------------------------------------------------------------------------------------------------------------------------------------------------------------------------------------------------------|
| start-generate       |      | <p>Enter to configure the time when the router will start generating OSPF packets with the configured key id.</p> <p><b>NOTE:</b> This command executes only if,</p> <ul style="list-style-type: none"> <li>• Authentication key for Simple Password Authentication is removed</li> <li>• OSPF Message Digest authentication is enabled and authentication type is specified for the interface</li> </ul>                                               |
| <DD-MON-YEAR, HH:MM> |      | <p>Enter a value for the time when the router will start generating OSPF packets with the configured key id. This value is the sum of the configured time and the system time at which the start-generate value is configured. Start Generate Time value is configured in 24 hours format. Default value is set as current system time.</p> <p><b>NOTE:</b> For example, Tuesday May 26, 2013 at 1:30 PM should be configured as, 26-May-2013,13:30</p> |
| stop-generate        |      | <p>Enter to configure the time when the router will stop generating OSPF packets with the configured key id.</p> <p><b>NOTE:</b> This command executes only if,</p> <ul style="list-style-type: none"> <li>• Authentication key for Simple Password Authentication is removed</li> <li>• OSPF Message Digest authentication is enabled and authentication type is specified for the interface</li> </ul>                                                |
| <DD-MON-YEAR, HH:MM> |      | <p>Enter a value for the time when the router will stop generating OSPF packets with the configured key id. Stop Generate value is configured in 24 hours format. Default value is set to the current system time.</p> <p><b>NOTE:</b> For example, Tuesday May 26, 2013 at 1:30 PM should be configured as, 26-May-2013,13:30</p>                                                                                                                      |
| stop-accept          |      | <p>Enter to configure the time when the router will stop accepting OSPF packets with specified key id.</p> <p><b>NOTE:</b> This command executes only if,</p> <ul style="list-style-type: none"> <li>• Authentication key for Simple Password Authentication is removed.</li> <li>• OSPF Message Digest authentication is enabled and authentication type is specified for the interface</li> </ul>                                                     |

| Parameter            | Type    | Description                                                                                                                                                                                                                                                                                                                                                                                                                                                                                                                                                                                                                                                                                                                                                                              |
|----------------------|---------|------------------------------------------------------------------------------------------------------------------------------------------------------------------------------------------------------------------------------------------------------------------------------------------------------------------------------------------------------------------------------------------------------------------------------------------------------------------------------------------------------------------------------------------------------------------------------------------------------------------------------------------------------------------------------------------------------------------------------------------------------------------------------------------|
| <DD-MON-YEAR, HH:MM> |         | Enter a value for the time when the router will stop accepting OSPF packets with specified key id. Stop accept value is configured in 24 hours format.<br><b>NOTE:</b> For example, Tuesday May 26, 2013 at 1:30 PM should be configured as, 26-May-2013,13:30                                                                                                                                                                                                                                                                                                                                                                                                                                                                                                                           |
| message-digest-key   |         | Enter to enable OSPF MD5 authentication. One key per interface is used to generate authentication information when sending packets and to authenticate incoming packets.<br>Message Digest authentication is a cryptographic authentication. A key (password) and key-id are configured on each router. The router uses an algorithm based on the OSPF packet, the key, and the key-id to generate a "message digest" that gets appended to the packet<br>Usually, one key per interface is used to generate authentication information when sending packets and to authenticate incoming packets. The same key identifier on the neighbor router must have the same key value.<br><b>NOTE:</b> The authentication type should be the same as set in the ip ospf authentication command. |
| <Key-id (0-255)>     | Integer | Enter to set the simple password authentication mechanism.                                                                                                                                                                                                                                                                                                                                                                                                                                                                                                                                                                                                                                                                                                                               |
| md5                  |         | Enter to set the authentication type as message digest authentication mechanism.                                                                                                                                                                                                                                                                                                                                                                                                                                                                                                                                                                                                                                                                                                         |
| sha-1                |         | Enter to set the authentication type as Secure Hash Algorithm 1 (SHA1) authentication. SHA1 generates Authentication digest of length 20 bytes.                                                                                                                                                                                                                                                                                                                                                                                                                                                                                                                                                                                                                                          |
| sha-224              |         | Enter to set the authentication type as Secure Hash Algorithm 224 (SHA224) authentication. SHA224 generates Authentication digest of length 28 bytes                                                                                                                                                                                                                                                                                                                                                                                                                                                                                                                                                                                                                                     |
| sha-256              |         | Enter to set the authentication type as Secure Hash Algorithm 256 (SHA256) authentication. SHA256 generates Authentication digest of length 32 bytes.                                                                                                                                                                                                                                                                                                                                                                                                                                                                                                                                                                                                                                    |
| sha-384              |         | Enter to set the authentication type as Secure Hash Algorithm 384 (SHA384) authentication. SHA384 generates Authentication digest of length 48 bytes                                                                                                                                                                                                                                                                                                                                                                                                                                                                                                                                                                                                                                     |
| sha-512              |         | Enter to set the authentication type as Secure Hash Algorithm 512 (SHA512) authentication. SHA512 generates Authentication digest of length 64 bytes.                                                                                                                                                                                                                                                                                                                                                                                                                                                                                                                                                                                                                                    |

| Parameter           | Type    | Description                                                                                                                                                                                                                                                                                                                                                                                                                                                         |
|---------------------|---------|---------------------------------------------------------------------------------------------------------------------------------------------------------------------------------------------------------------------------------------------------------------------------------------------------------------------------------------------------------------------------------------------------------------------------------------------------------------------|
| <key(16)>           | Integer | Enter a value to configure the cryptographic key value which is used to create the message digest appended to the OSPF packet. All neighboring routers on the same network must have the same key identifier and key to route OSPF traffic. This is a string with maximum 16 characters.                                                                                                                                                                            |
| network             |         | Enter to configure the OSPF network type to a type other than the default for a given media and configures broadcast networks as NBMA networks. Each pair of routers on a broadcast network is assumed to be able to communicate directly. An Ethernet is an example of a broadcast network. A 56Kb serial line is an example of a point-to-point network.                                                                                                          |
| broadcast           |         | Enter to configure the broadcast networks supporting many (more than two) attached routers, together with the capability to address a single physical message to all of the attached routers (broadcast). This is the default option.                                                                                                                                                                                                                               |
| non-broadcast       |         | Enter to configure the non broadcast networks supporting many (more than two) routers, but having no broadcast capability Sets the network type to nonbroadcast multi-access (NBMA).                                                                                                                                                                                                                                                                                |
| point-to-multipoint |         | Enter to set the network type to point-to-multipoint and treats the non-broadcast network as a collection of point-to-point links.                                                                                                                                                                                                                                                                                                                                  |
| point-to-point      |         | Enter to set the network type to point-to-point that joins a single pair of routers                                                                                                                                                                                                                                                                                                                                                                                 |
| priority            |         | Enter to set the router priority which helps determine the designated router for this network. When two routers attached to a network both attempt to become the designated router, the one with the higher router priority takes precedence. . When two routers attached to a network attempt to become the designated router, the one with the higher router priority takes precedence. If there is a tie, the router with the higher router ID takes precedence. |
| <value (0 - 255)>   | Integer | Enter a value to specify the priority of the router The number value ranges from 0 to 255. The default value is 1.                                                                                                                                                                                                                                                                                                                                                  |
| retransmit-interval |         | Enter to configure the time between link-state advertisement (LSA) retransmissions for adjacencies belonging to the OSPF virtual link interface.                                                                                                                                                                                                                                                                                                                    |

| Parameter           | Type    | Description                                                                                                                                                                                                                                                                                                        |
|---------------------|---------|--------------------------------------------------------------------------------------------------------------------------------------------------------------------------------------------------------------------------------------------------------------------------------------------------------------------|
| <value<br>(1-3600)> | Integer | Enter a value for the time between link-state advertisement (LSA) retransmissions for adjacencies belonging to the OSPF virtual link interface. This value ranges from 1 to 3600 in seconds with a default of 5. This value is also used while retransmitting database description and link-state request packets. |
| transmit-delay      |         | Enter to set the estimated time (in seconds) it is required to transmit a link state update packet on the interface. Link-state advertisements (LSAs) in the update packet must have their ages incremented by the amount specified in the seconds argument before transmission.                                   |
| <value<br>(1-3600)> | Integer | Enter a value for the time in which the router will stop using this key for packets generation. This value ranges from 1 to 3600 in seconds with a default of 1 second.                                                                                                                                            |

## Mode

OSPF Router Configuration Mode

## Prerequisites

This command executes only if the OSPF routing process is enabled.

## Examples

```
iS5Comm(config)# router ospf
iS5Comm(config-if)# ip ospf authentication message-digest
iS5Comm(config-if)# ip ospf authentication-key asdf123
iS5Comm(config-router)# enable bfd
iS5Comm(config-router)# exit
iS5Comm(config)# int vlan 55
iS5Comm(config-if)# ip ospf bfd disable
iS5Comm(config-if)# ip ospf cost 10
iS5Comm(config-if)# ip ospf dead-interval 1000
iS5Comm(config-if)# ip ospf demand-circuit
iS5Comm(config-if)# ip ospf hello-interval 75
iS5Comm(config-if)# ip ospf key 20 start-accept 13-May-2014,19:18
```



```
iS5Comm(config-if)# ip ospf key 20 start-generate 13-May-2014,19:18
iS5Comm(config-if)# ip ospf key 20 stop-generate 13-May-2014,19:18
iS5Comm(config-if)# ip ospf key 20 stop-accept 13-May-2014,19:18
iS5Comm(config-if)# ip ospf network broadcast
iS5Comm(config-if)# ip ospf priority 25
iS5Comm(config-if)# ip ospf retransmit-interval 300
iS5Comm(config-if)# ip ospf transmit-delay 50
```

## 23.14. neighbor

To specifies a neighbor router and its priority, use the command **neighbor** in OSPF Router Configuration Mode. The no form of the command removes the neighbor and resets the neighbor priority to its default value. This command configures the Router ID of *OSPF* routers interconnecting to nonbroadcast networks.

### neighbor

```
neighbor <neighbor-id>
 [priority <priority value (0-255)>]
 [poll-interval <poll-interval (1-2147483647)>]
 [cost <cost number 0-255)>]
 [database-filter all]
```

### no neighbor

```
no neighbor <neighbor-id> [poll-interval seconds] [priority] [poll-interval
seconds] [cost number] [database-filter all]
```

## Parameters

| Parameter                      | Type    | Description                                                                                                                                                                                                                                                                                                      |
|--------------------------------|---------|------------------------------------------------------------------------------------------------------------------------------------------------------------------------------------------------------------------------------------------------------------------------------------------------------------------|
| <neighbor-id>                  |         | Enter to configure the neighbor router ID based on which the priority of the neighbor is defined.                                                                                                                                                                                                                |
| priority                       |         | Enter to configure the router priority and the priority of the nonbroadcast neighbor router associated with the specified IP address. The router with the highest priority becomes the designated router.                                                                                                        |
| <priority value (0-255)>       | Integer | Enter a number value that specifies the router priority and the priority of the nonbroadcast neighbor router associated with the specified IP address. This value ranges from 0 to 255 with the value 0 signifying that the neighbor is not eligible to become the designated router on this particular network, |
| poll-interval                  |         | Enter to configure the poll interval between the Hello packets sent to an inactive non-broadcast multi-access neighbor.                                                                                                                                                                                          |
| <poll-interval (1-2147483647)> | Integer | Enter a poll interval value. This value ranges from 1 to 2147483647 seconds.                                                                                                                                                                                                                                     |
| cost                           |         | Enter to configure route path cost value.                                                                                                                                                                                                                                                                        |
| <cost number 0-255)>           | Integer | Enter a value for route path cost. It ranges from 0 to 255.                                                                                                                                                                                                                                                      |
| database-filter                |         | Enter to configure the database filter.                                                                                                                                                                                                                                                                          |
| all                            |         | Enter to set database filter as all.                                                                                                                                                                                                                                                                             |

## Mode

OSPF Router Configuration Mode

## Default

priority - 1

## Examples

```
iS5Comm(config)# router ospf
```

```
iS5Comm(config-router)# neighbor 12.0.0.8 priority 25
```

## 23.15. network

To defines the interfaces on which *OSPF* runs and the area ID for those interfaces, use the command **network** in OSPF Router Configuration Mode. The no form of the command *OSPF* routing for interfaces defined and to remove the area ID of that interface. When a more specific *OSPF* network range is removed, interfaces belonging to that network range will be retained and remain active if and only if a less specific network range exists. There is no limit to the number of network commands that can be used on the router. The IP address for the entry should be same as that of the configured interface.

### network

```
network <Network number>
 {area <area-id> [unnum {vlan <vlan-id/vfi-id>
 | <interface-type> <interface-num>
 | <IP-interface-type> <IP-interface-number>}]
 | <wildcard-mask> area <area-id>
 [unnum vlan <PortNumber>]}
```

### no network

```
no network <Network number> {area <area-id> [unnum {vlan <vlan-id/vfi-id>
[switch <switch-name>] | <interface-type> <interface-num> | <IP-inter-
face-type> <IP-interface-number>}]}
```

## Parameters

| Parameter        | Type | Description                                                                                                                                                                                                                                                                                                                                                                                                                                                                                                                                                                                                                                                                                                                                                                                                                                                                                                                                                                                                                                                                                                                                                                                                                                                            |
|------------------|------|------------------------------------------------------------------------------------------------------------------------------------------------------------------------------------------------------------------------------------------------------------------------------------------------------------------------------------------------------------------------------------------------------------------------------------------------------------------------------------------------------------------------------------------------------------------------------------------------------------------------------------------------------------------------------------------------------------------------------------------------------------------------------------------------------------------------------------------------------------------------------------------------------------------------------------------------------------------------------------------------------------------------------------------------------------------------------------------------------------------------------------------------------------------------------------------------------------------------------------------------------------------------|
| <Network number> |      | Enter to configure the network type for the interfaces (e.g. of the format is 0.0)                                                                                                                                                                                                                                                                                                                                                                                                                                                                                                                                                                                                                                                                                                                                                                                                                                                                                                                                                                                                                                                                                                                                                                                     |
| area             |      | Enter to configure the area associated with the OSPF address range and the identifier of the area about which routes are to be summarized.                                                                                                                                                                                                                                                                                                                                                                                                                                                                                                                                                                                                                                                                                                                                                                                                                                                                                                                                                                                                                                                                                                                             |
| <area-id>        |      | Enter a value (either a decimal value or as an IP address) to configure the area associated with the OSPF address range and the identifier of the area about which routes are to be summarized.                                                                                                                                                                                                                                                                                                                                                                                                                                                                                                                                                                                                                                                                                                                                                                                                                                                                                                                                                                                                                                                                        |
| unnum            |      | Enter to configure the network type for the specified unnumbered interface configuration.                                                                                                                                                                                                                                                                                                                                                                                                                                                                                                                                                                                                                                                                                                                                                                                                                                                                                                                                                                                                                                                                                                                                                                              |
| vlan             |      | Enter to configure network type for the specified VLAN / VFI ID.                                                                                                                                                                                                                                                                                                                                                                                                                                                                                                                                                                                                                                                                                                                                                                                                                                                                                                                                                                                                                                                                                                                                                                                                       |
| <vlan-id/vfi-id> |      | <p>Enter a value for the VLAN ID or VFI-ID for which the network type will be configured. This value ranges from 1 to 65535. The options are as follow:</p> <ul style="list-style-type: none"> <li>• &lt;vlan -id&gt; - VLAN ID is a unique value that represents the specific VLAN. This value ranges from 1 to 4094.</li> <li>• &lt;vfi-id&gt;. - VFI ID is a VLAN created in the system which contains Pseudo wires and Attachment Circuits as member ports . This creates a logical LAN for the VPLS service. This value ranges from 4096 to 65535.</li> </ul> <p><b>NOTE:</b> The VLAN ID 4095 is reserved and may be used to indicate a wildcard match for the VID in management operations or Filtering Database entries.</p> <p><b>NOTE:</b> VFI IDs 4096 and 4097 are reserved identifiers used in MPLS PW</p> <p><b>NOTE:</b> The theoretical maximum for the maximum number of VFI is 65535 but the actual number of VFI supported is a sizing constant. Based on this, the maximum number of VFI ID accepted in the management interface is restricted. For example if 100 VFIs are supported, the maximum number of VFI supported will be restricted to maximum number of VLANs + 100. An error message is displayed for any value beyond this range.</p> |

| Parameter             | Type | Description                                                                                                                                                                                                                                                                                                                                                                                               |
|-----------------------|------|-----------------------------------------------------------------------------------------------------------------------------------------------------------------------------------------------------------------------------------------------------------------------------------------------------------------------------------------------------------------------------------------------------------|
| <interface-type>      |      | Enter interface type to configure the Network type. The interface types are: <ul style="list-style-type: none"> <li>gigabitethernet – A version of LAN standard architecture that supports data transfer up to 1 Gigabit per second.</li> <li>extreme-ethernet – A version of Ethernet that supports data transfer up to 10 Gigabits per second. This Ethernet supports only full duplex links</li> </ul> |
| <interface-number>    |      | Enter a value interface number to configure the network type. This is a unique value that represents the specific interface. This value is a combination of slot number and port number separated by a slash. For example, 0/1 represents that the slot number is 0 and port number is 1.                                                                                                                 |
| <IP-interface-type>   |      | Enter to configure the network type for the specified L3 Pseudo wire interface in the system.                                                                                                                                                                                                                                                                                                             |
| <IP interface-number> |      | Enter a value to configure the network type for the specified L3 Pseudo wire interface in the system. Network type for the specified L3 Pseudo wire interface identifier. This is a unique value that represents the specific interface. This value ranges from 1 to 65535 for Pseudowire interface.<br><b>NOTE:</b> Maximum number of PseudoWire interfaces supported in the system is 100.              |
| <wildcard-mask>       |      | Enter to configure the wild card mask for the network IP address.                                                                                                                                                                                                                                                                                                                                         |
| area                  |      | Enter to configure the area associated with the OSPF address range and the identifier of the area about which routes are to be summarized.                                                                                                                                                                                                                                                                |
| <area-id>             |      | Enter a value (either a decimal value or as an IP address) to configure the area associated with the OSPF address range and the identifier of the area about which routes are to be summarized.                                                                                                                                                                                                           |
| unnum                 |      | Enter to configure unnumbered VLAN for the area.                                                                                                                                                                                                                                                                                                                                                          |
| Vlan                  |      | Enter to configure unnumbered VLAN for the area                                                                                                                                                                                                                                                                                                                                                           |
| <Vlan id (1-4094)>    |      | Enter a value for VLAN ID. This is a unique value that represents the specific VLAN and ranges from 1 to 4094.                                                                                                                                                                                                                                                                                            |

## Mode

OSPF Router Configuration Mode

## Prerequisites

- This command can be configured only if, router ospf is enabled.
- IP address must be configured for the interface which is to be added as the unnumbered interface

## Examples

```
iS5Comm(config)# router ospf
```

```
iS5Comm(config-router)# network 0.0 area 0.0 unnum gi 0/2
```

```
iS5Comm (config-router)# network 1.1.1.1 0.0.0.0 area 0.0.0.0 unnum Vlan 55
```

```
iS5Comm(config-router)# network 1.1.1.1 area 0.0.0.0
```

## 23.16. nsf ietf

To configure the Non Stop Forwarding (nsf) features such as strict *LSA* check option in helper mode, grace period, helper support, graceful restart support, the reason for graceful support, OSPF graceful restart timeout interval, and the maximum number of retransmissions for unacknowledged grace *LSA*, use the command **nsf ietf** in OSPF Router Configuration Mode. The no form of the command disables all above mentioned configured features.

### nsf ietf

```
nsf ietf {helper {[gracetime limit <gracelimit period(0-1800)>] [softwareRestart] [strict-lsa-checking] [swReloadUpgrade] [switchToRedundant] [unknown]}
| helper-support {[softwareRestart] [swReloadUpgrade] [switchToRedundant] [unknown]}
| grace lsa ack required
| grlsa retrans count <grlsacout (0-180)>
| restart-interval <grace period(1-1800)>
| restart-reason {[softwareRestart] [swReloadUpgrade] [switchToRedundant] [unknown]}
| restart-support plannedOnly}
```

### no nsf ietf

```
no nsf ietf {helper [strict-lsa-checking]
```

---

```
| helper-support {[softwareRestart] [swReloadUpgrade] [switchToRedundant]
[unknown]}
| grace lsa ack required
| restart-interval
| restart-support
```

## Parameters

| Parameter                      | Type    | Description                                                                                                                                                                                                                                                                                                                                                                                                                                                                                                                                                                                       |
|--------------------------------|---------|---------------------------------------------------------------------------------------------------------------------------------------------------------------------------------------------------------------------------------------------------------------------------------------------------------------------------------------------------------------------------------------------------------------------------------------------------------------------------------------------------------------------------------------------------------------------------------------------------|
| helper                         |         | Enter to enable the helper mode. When a router Y receives a grace-LSA from router X, it enters helper mode for X on the associated network segment.<br><br><b>NOTE:</b> This command executes only if <ul style="list-style-type: none"> <li>• OSPF router is enabled</li> <li>• Helper Mode is enabled</li> </ul>                                                                                                                                                                                                                                                                                |
| gracetimelimit                 |         | Enter to configure the grace period till which the OSPF router acts as Helper. <i>The router attempting a graceful restart originates link-local Opaque-LSAs, herein called Grace-LSAs, announcing its intention to perform a graceful restart within a specified amount of time or "grace period".</i> During this period, the router advertises that the restarting router is active and is in FULL state. The value is provided as an intimation of the restart period to the neighbors that do not support graceful restart or that are connected using multipoint interfaces.                |
| <gracelimit<br>period(0-1800)> | Integer | Enter a value for the grace period till which the OSPF router acts as Helper. This value ranges from 0 to 1800 seconds. The default is 0.                                                                                                                                                                                                                                                                                                                                                                                                                                                         |
| softwareRestart                |         | Enter to configure the helper support for restarting of system due to restart of software.                                                                                                                                                                                                                                                                                                                                                                                                                                                                                                        |
| strict-lsa-checking            |         | Enter to enable the strict LSA check option in helper. The strict LSA check option allows the helper to terminate the graceful restart, once a changed LSA that causes flooding during the restart process is detected. The entity should save any change made using this command in a non-volatile storage, as the configuration set using this command is persistent. By default, Strict LSA check option is disabled in helper.<br><br><b>NOTE:</b> This command executes only if <ul style="list-style-type: none"> <li>• OSPF router is enabled</li> <li>• Helper Mode is enabled</li> </ul> |
| swReloadUpgrade                |         | Enter to configure helper support for restarting of system due to reload or upgrade of software.                                                                                                                                                                                                                                                                                                                                                                                                                                                                                                  |
| switchToRedundant              |         | Enter to configure helper support for restarting of system due to switchover to a redundant support processor.                                                                                                                                                                                                                                                                                                                                                                                                                                                                                    |
| unknown                        |         | Enter to configure helper support for restarting of system due to unplanned events (such as restarting after a crash).                                                                                                                                                                                                                                                                                                                                                                                                                                                                            |



| Parameter         | Type | Description                                                                                                                                                                                                                                                                                                                                                                                                                                                                                                                                                                      |
|-------------------|------|----------------------------------------------------------------------------------------------------------------------------------------------------------------------------------------------------------------------------------------------------------------------------------------------------------------------------------------------------------------------------------------------------------------------------------------------------------------------------------------------------------------------------------------------------------------------------------|
| helper-support    |      | Enter to configure helper support. The helper support is enabled for all options if the command is executed without selecting any of the additional options. The helper support can be enabled for more than one option, one after the other. The entity should save any change made using this command in a non-volatile storage, as the configuration set using this command is persistent. By default, Helper support is enabled.<br><b>NOTE:</b> This command executes only if <ul style="list-style-type: none"> <li>• OSPF router is enabled</li> </ul>                    |
| softwareRestart   |      | Enter to configure the helper support for restarting of system due to restart of software.                                                                                                                                                                                                                                                                                                                                                                                                                                                                                       |
| swReloadUpgrade   |      | Enter to configure helper support for restarting of system due to reload or upgrade of software.                                                                                                                                                                                                                                                                                                                                                                                                                                                                                 |
| switchToRedundant |      | Enter to configure helper support for restarting of system due to switchover to a redundant support processor.                                                                                                                                                                                                                                                                                                                                                                                                                                                                   |
| unknown           |      | Enter to configure helper support for restarting of system due to unplanned events (such as restarting after a crash).                                                                                                                                                                                                                                                                                                                                                                                                                                                           |
| grace             |      | Enter to configure graceful restart mode. The grace link-state advertisements (LSAs) sent by the router are expected to be acknowledged by peers, if the graceful restart mode Grace Ack Required state is enabled. The entity should save any change made using this command in a non-volatile storage, as the configuration set using this command is persistent. By default, graceful restart mode Grace Ack Required state is enabled in restarter.<br><b>NOTE:</b> This command executes only if <ul style="list-style-type: none"> <li>• OSPF router is enabled</li> </ul> |
| lsa               |      | Enter to set the LSA related configuration.                                                                                                                                                                                                                                                                                                                                                                                                                                                                                                                                      |
| ack               |      | Enter to set acknowledgment related configuration.                                                                                                                                                                                                                                                                                                                                                                                                                                                                                                                               |
| required          |      | Enter to enable acknowledgment related state configuration.                                                                                                                                                                                                                                                                                                                                                                                                                                                                                                                      |
| grlsa             |      | Enter to configure the maximum number of retransmissions for unacknowledged grace LSA.                                                                                                                                                                                                                                                                                                                                                                                                                                                                                           |
| retrans           |      | Enter for retransmission related configuration.                                                                                                                                                                                                                                                                                                                                                                                                                                                                                                                                  |
| count             |      | Enter to perform counting operation.<br><b>NOTE:</b> This command executes only if <ul style="list-style-type: none"> <li>• OSPF router is enabled</li> </ul>                                                                                                                                                                                                                                                                                                                                                                                                                    |

| Parameter                                     | Type    | Description                                                                                                                                                                                                                                                                                                                                                                                                                                                                                                                                                                                                                                                                                                                                        |
|-----------------------------------------------|---------|----------------------------------------------------------------------------------------------------------------------------------------------------------------------------------------------------------------------------------------------------------------------------------------------------------------------------------------------------------------------------------------------------------------------------------------------------------------------------------------------------------------------------------------------------------------------------------------------------------------------------------------------------------------------------------------------------------------------------------------------------|
| <code>&lt;grlsacout<br/>(0-180)&gt;</code>    | Integer | Enter a value for number of retransmission of unacknowledgedGrace LSAs. This value ranges from 0 to 180. The default is 2.                                                                                                                                                                                                                                                                                                                                                                                                                                                                                                                                                                                                                         |
| <code>restart-interval</code>                 |         | Enter to configure the maximum number of retransmissions for unacknowledged grace LSA. This value ranges from 0 to 1800. The default is 120.                                                                                                                                                                                                                                                                                                                                                                                                                                                                                                                                                                                                       |
| <code>&lt;grace<br/>period(1-1800)&gt;</code> | Integer | Enter a value for maximum number of retransmissions for unacknowledged grace LSA.                                                                                                                                                                                                                                                                                                                                                                                                                                                                                                                                                                                                                                                                  |
| <code>restart-reason</code>                   |         | Enter to configures the reason for graceful restart in the OSPF router. The reason for restart can be software upgrade, scheduled restart or switch to redundant router. The entity should save any change made using this command in a non-volatile storage, as the configuration set using this command is persistent.<br><b>NOTE:</b> This command executes only if <ul style="list-style-type: none"> <li>• OSPF router is enabled</li> </ul>                                                                                                                                                                                                                                                                                                  |
| <code>softwareRestart</code>                  |         | Enter to configure restarting of system due to restart of software.                                                                                                                                                                                                                                                                                                                                                                                                                                                                                                                                                                                                                                                                                |
| <code>swReloadUpgrade</code>                  |         | Enter to configure restarting of system due to reload or upgrade of software.                                                                                                                                                                                                                                                                                                                                                                                                                                                                                                                                                                                                                                                                      |
| <code>switchToRedundant</code>                |         | Enter to configure restarting of system due to switchover to a redundant support processor.                                                                                                                                                                                                                                                                                                                                                                                                                                                                                                                                                                                                                                                        |
| <code>unknown</code>                          |         | Enter to configure helper restarting of system due to unplanned events (such as restarting after a crash). This is default                                                                                                                                                                                                                                                                                                                                                                                                                                                                                                                                                                                                                         |
| <code>restart-support</code>                  |         | Enter to enable the graceful restart support in OSPF router. Graceful restart support is provided for both unplanned and planned restart, if the command is executed without any option. The graceful restart mechanism allows forwarding of data packets to continue along known routes, while the routing protocol information is being restored following a processor switch over. The entity should save any change made using this command in a non-volatile storage, as the configuration set using this command is persistent. By default, Graceful restart support is disabled.<br><b>NOTE:</b> This command executes only if <ul style="list-style-type: none"> <li>• OSPF router is enabled</li> <li>• Helper Mode is enabled</li> </ul> |

| Parameter   | Type | Description                                                                                                        |
|-------------|------|--------------------------------------------------------------------------------------------------------------------|
| plannedOnly |      | Enter to configure support of only planned restarts (such as restarting a control plane after a planned downtime). |

## Mode

OSPF Router Configuration Mode

## Default

Unknown

## Prerequisites

This command executes only if OSPF router is enabled.

## Examples

```
iS5Comm(config)# router ospf
iS5Comm(config-router)# nsf ietf helper gracetime limit 100
iS5Comm(config-router)# nsf ietf helper strict-lsa-checking
iS5Comm(config-router)# nsf ietf helper-support switchToRedundant
iS5Comm(config-router)# nsf ietf grace lsa ack required
iS5Comm(config-router)# nsf ietf grlsa retrans count 100
iS5Comm(config-router)# nsf ietf restart-interval 200
iS5Comm(config-router)# nsf ietf restart-reason softwareRestart
iS5Comm(config-router)# nsf ietf restart-support
```

## 23.17. passive-interface

To suppress routing updates on an interface and make the interface passive, use the command **passive-interface** in OSPF Router Configuration Mode. The no form of the command enables routing updates on an interface. *OSPF* routing information is neither sent nor received through the specified router interface.

### passive-interface

```
passive-interface {vlan <vlan-id/vfi-id> [switch <switch-name>] | <inter-
face-type> <interface-id> | <IP-interface-type> <IP-interface-number> |
default}
```

**no passive-interface**

```
no passive-interface {vlan <vlan-id/vfi-id> [switch <switch-name>] | <inter-
face-type> <interface-id> | <IP-interface-type> <IP-interface-number> |
default}
```

## Parameters

| Parameter        | Type | Description                                                                                                                                                                                                                                                                                                                                                                                                                                                                                                                                                                                                                                                                                                                                                                                                                                                                                                                                                                                                                                                                                                                                                                                                                                                                 |
|------------------|------|-----------------------------------------------------------------------------------------------------------------------------------------------------------------------------------------------------------------------------------------------------------------------------------------------------------------------------------------------------------------------------------------------------------------------------------------------------------------------------------------------------------------------------------------------------------------------------------------------------------------------------------------------------------------------------------------------------------------------------------------------------------------------------------------------------------------------------------------------------------------------------------------------------------------------------------------------------------------------------------------------------------------------------------------------------------------------------------------------------------------------------------------------------------------------------------------------------------------------------------------------------------------------------|
| vlan             |      | Enter to configure specified VLAN / VFI ID as passive interface.                                                                                                                                                                                                                                                                                                                                                                                                                                                                                                                                                                                                                                                                                                                                                                                                                                                                                                                                                                                                                                                                                                                                                                                                            |
| <vlan-id/vfi-id> |      | <p>Enter a value for the VLAN ID or VFI-ID for which the passive interface will be configured. This value ranges from 1 to 65535. The options are as follow:</p> <ul style="list-style-type: none"> <li>• &lt;vlan -id&gt; - VLAN ID is a unique value that represents the specific VLAN. This value ranges from 1 to 4094.</li> <li>• &lt;vfi-id&gt;. - VFI ID is a VLAN created in the system which contains Pseudo wires and Attachment Circuits as member ports . This creates a logical LAN for the VPLS service. This value ranges from 4096 to 65535.</li> </ul> <p><b>NOTE:</b> The VLAN ID 4095 is reserved and may be used to indicate a wildcard match for the VID in management operations or Filtering Database entries.</p> <p><b>NOTE:</b> VFI IDs 4096 and 4097 are reserved identifiers used in MPLS PW</p> <p><b>NOTE:</b> The theoretical maximum for the maximum number of VFI is 65535 but the actual number of VFI supported is a sizing constant. Based on this, the maximum number of VFI ID accepted in the management interface is restricted. For example if 100 VFIs are supported, the maximum number of VFI supported will be restricted to maximum number of VLANs + 100. An error message is displayed for any value beyond this range.</p> |
| switch           |      | Enter to configure a switch context.                                                                                                                                                                                                                                                                                                                                                                                                                                                                                                                                                                                                                                                                                                                                                                                                                                                                                                                                                                                                                                                                                                                                                                                                                                        |
| <switch-name>    |      | Enter default for switch name.                                                                                                                                                                                                                                                                                                                                                                                                                                                                                                                                                                                                                                                                                                                                                                                                                                                                                                                                                                                                                                                                                                                                                                                                                                              |
| <interface-type> |      | <p>Enter interface type to configure the passive interface. The interface types are:</p> <ul style="list-style-type: none"> <li>• gigabitethernet – A version of LAN standard architecture that supports data transfer up to 1 Gigabit per second.</li> <li>• extreme-ethernet – A version of Ethernet that supports data transfer up to 10 Gigabits per second. This Ethernet supports only full duplex links</li> </ul>                                                                                                                                                                                                                                                                                                                                                                                                                                                                                                                                                                                                                                                                                                                                                                                                                                                   |
| <interface-id>   |      | Enter a value interface number to configure the network type. This is a unique value that represents the specific interface. This value is a combination of slot number and port number separated by a slash. For example, 0/1 represents that the slot number is 0 and port number is 1.                                                                                                                                                                                                                                                                                                                                                                                                                                                                                                                                                                                                                                                                                                                                                                                                                                                                                                                                                                                   |

| Parameter           | Type | Description                                                                                                                                                                                                                                                                                                                                                                                  |
|---------------------|------|----------------------------------------------------------------------------------------------------------------------------------------------------------------------------------------------------------------------------------------------------------------------------------------------------------------------------------------------------------------------------------------------|
| <IP-interface-type> |      | Enter to configure the network type for the specified L3 Pseudo wire interface in the system.                                                                                                                                                                                                                                                                                                |
| <IP interface-num>  |      | Enter a value to configure the network type for the specified L3 Pseudo wire interface in the system. Network type for the specified L3 Pseudo wire interface identifier. This is a unique value that represents the specific interface. This value ranges from 1 to 65535 for Pseudowire interface.<br><b>NOTE:</b> Maximum number of PseudoWire interfaces supported in the system is 100. |
| default             |      | Enter to configure the passive interface to be default i.e. all OSPF interfaces created after the execution of this command will be passive. This is useful in Internet service provider (ISP) and large enterprise networks where many of the distribution routers have more than 200 interfaces.                                                                                           |

## Mode

OSPF Router Configuration Mode

## Prerequisites

- This command can be configured only if, router ospf is enabled.

## Examples

```
iS5Comm(config)# router ospf
```

```
iS5Comm(config-router)# passive-interface gigabitethernet 0/2
```

```
iS5Comm(config-router)# passive-interface default
```

## 23.18. redist-config

To configure the information to be applied to routes learnt from *RTM* (Route Table Manager), use the command **redist-config** in OSPF Router Configuration Mode. The no form of the command deletes the information applied to routes learnt from *RTM*.

### redist-config

```
redist-config <Network> <Mask>
[metric <metric-value (0-16777215)>]
```

```
[metric-type {asExttype1 | asExttype2}]
```

```
[tag <tag-value>]
```

### no redist-config

```
no redist-config <Network> <Mask>
```

### Parameters

| Parameter                   | Type    | Description                                                                                                                                                                                                                                                                                                                                                                                                                                                                                                        |
|-----------------------------|---------|--------------------------------------------------------------------------------------------------------------------------------------------------------------------------------------------------------------------------------------------------------------------------------------------------------------------------------------------------------------------------------------------------------------------------------------------------------------------------------------------------------------------|
| <Network>                   |         | Enter an IP address to configure the IP address of the network indicated by the range.                                                                                                                                                                                                                                                                                                                                                                                                                             |
| <Mask>                      |         | Enter the subnet mask that pertains to the range. The mask indicates the range of addresses being described by the particular route. For example, a summary-LSA for the destination 128.185.0.0 with a mask of 0xffff0000 actually is describing a single route to the collection of destinations 128.185.0.0 - 128.185.255.255.                                                                                                                                                                                   |
| metric                      |         | Enter to configure the metric values for the routes to be redistributed into OSPF.                                                                                                                                                                                                                                                                                                                                                                                                                                 |
| <metric-value (0-16777215)> | Integer | Enter a metric value for the routes to be redistributed into OSPF. This value ranges from 0 to 16777215.                                                                                                                                                                                                                                                                                                                                                                                                           |
| metric-type                 |         | Enter to configure the metric type applied to the routes to be redistributed.                                                                                                                                                                                                                                                                                                                                                                                                                                      |
| asExttype1                  |         | Enter to set the metric type as external Type 1.                                                                                                                                                                                                                                                                                                                                                                                                                                                                   |
| asExttype2                  |         | Enter to set the metric type as external Type 2.                                                                                                                                                                                                                                                                                                                                                                                                                                                                   |
| tag                         |         | Enter to configure the tag type and describe whether tags will be automatically generated or will be manually configured. . This is not used by OSPF protocol itself. It may be used to communicate information between AS boundary routers. The precise nature of this information is outside the scope of OSPF. If tags are manually configured, the futospfRRDRouteTag MIB has to be set with the Tag value needed.<br><b>NOTE:</b> To execute this command with the tag option, the router must to set as ASBR |
| <tag-value>                 | Integer | Enter a tag value. This value ranges from 0 to 4294967295                                                                                                                                                                                                                                                                                                                                                                                                                                                          |

### Mode

OSPF Router Configuration Mode

## Default

- metric - 10
- metric-type - asExttype2
- tag - manual

## Prerequisites

This command executes only if the router is set as ASBR

## Examples

```
iS5Comm(config)# router ospf
```

```
iS5Comm(config-router)# redistrib-configure 10.0.0.0 255.0.0.0 metric-value 100 metric-type asExttype1
```

## 23.19. redistribute

To configure the protocol from which the routes have to be redistributed into *OSPF* and advertise the routes learned by other protocols, use the command **redistribute** in OSPF Router Configuration Mode. The no form of the command disables redistribution of routes from the given protocol.

### redistribute

```
redistribute {static | connected | rip | bgp | isis [{level-1 | level-2 |
level-1-2}] | all}
[route-map <name (1-20)>]
[metric <metric-value (0-16777215)>]
[metric-type <type (1-2)>]
```

### no redistribute

```
no redistribute {static | connected | rip | bgp | all} [route-map <name
(1-20)>] [metric]
```



## Parameters

| Parameter                                       | Type    | Description                                                                                                                                                                                                                          |
|-------------------------------------------------|---------|--------------------------------------------------------------------------------------------------------------------------------------------------------------------------------------------------------------------------------------|
| <code>static</code>                             |         | Enter to configure redistribution of routes configured statically in the OSPF routing process.                                                                                                                                       |
| <code>connected</code>                          |         | Enter to configure redistribution of directly connected networks routes into OSPF routing process.                                                                                                                                   |
| <code>rip</code>                                |         | Enter to enable redistribution of routes that are learnt by the RIP process into OSPF routing process.                                                                                                                               |
| <code>bgp</code>                                |         | Enter to configure redistribution of routes that are learnt by the BGP process into OSPF routing process.                                                                                                                            |
| <code>isis</code>                               |         | Enter to enable redistribution of routes learnt by ISIS in the OSPF routing process.                                                                                                                                                 |
| <code>level-1</code>                            |         | Enter to import routes learnt by ISIS level-1 in the OSPF routing process.                                                                                                                                                           |
| <code>level-2</code>                            |         | Enter to import routes learnt by ISIS level-2 in the OSPF routing process.                                                                                                                                                           |
| <code>level-1-2</code>                          |         | Enter to import routes learnt by ISIS in the OSPF routing process.                                                                                                                                                                   |
| <code>all</code>                                |         | Enter to import routes learnt in the OSPF routing process.                                                                                                                                                                           |
| <code>route-map</code>                          |         | Enter to identify the specified route-map in the list of route-maps.<br><b>NOTE:</b> Redistribution can be configured for only one route map. Another route map can be assigned, only if the already assigned route map is disabled. |
| <code>&lt;name (1-20) &gt;</code>               | Integer | Enter a name for a route map. This is a string with maximum size of 20.                                                                                                                                                              |
| <code>metric</code>                             |         | Enter to configure the metric values for the routes to be redistributed into OSPF.                                                                                                                                                   |
| <code>&lt;metric-value (0-16777215) &gt;</code> | Integer | Enter a metric value for the routes to be redistributed into OSPF. This value ranges from 0 to 16777215.                                                                                                                             |
| <code>metric-type</code>                        |         | Enter to configure the metric type applied to the routes to be redistributed.                                                                                                                                                        |
| <code>&lt;type (1-2) &gt;]</code>               | Integer | Enter a metric type to be applied to the routes to be redistributed. It can be one of the following values: <ul style="list-style-type: none"> <li>• 1—Sets Type 1 external route</li> <li>• 2—Sets Type 2 external route</li> </ul> |

## Mode

OSPF Router Configuration Mode

## Default

- metric - 10
- metric-type - 2

## Examples

```
iS5Comm(config)# router ospf
```

```
iS5Comm(config-router)# redistribute static
```

## 23.20. route-calculation

To enable *OSPF* route calculation staggering feature and configure the staggering interval, use the command **route-calculation** in OSPF Router Configuration Mode. The no form of this command disables *OSPF* route calculation staggering and changes the staggering interval to default.

### **route-calculation**

```
route-calculation {staggering | staggering-interval <milli-seconds
(1000-2147483647)>}
```

### **no route-calculation**

```
no route-calculation staggering
```

## Parameters

| Parameter                                            | Type    | Description                                                                                                                                                                                                                                                                           |
|------------------------------------------------------|---------|---------------------------------------------------------------------------------------------------------------------------------------------------------------------------------------------------------------------------------------------------------------------------------------|
| <code>staggering</code>                              |         | Enter to configure staggering of the OSPF route calculation at regular intervals for processing neighbor keep alive and other OSPF operations.                                                                                                                                        |
| <code>staggering-interval</code>                     |         | Enter to configure the OSPF route calculation staggering interval.                                                                                                                                                                                                                    |
| <code>&lt;milli-seconds (1000-2147483647)&gt;</code> | Integer | Enter a value for the OSPF route calculation staggering interval (in milliseconds). This value represents the time after which the route calculation is suspended for doing other OSPF operations and ranges from 1000 to 2147483647 milliseconds. The default is 10000 milliseconds. |

## Mode

OSPF Router Configuration Mode

## Default

10000 milliseconds (OSPF route calculation staggering interval is equal to Hello interval)

## Prerequisites

This command executes only if OSPF router is enabled.

## Examples

```
iS5Comm(config)# router ospf
```

```
iS5Comm(config-router)# route-calculation staggering-interval 2000
```

## 23.21. router ospf

To enable *OSPF* routing process, enter into the *OSPF* Router Configuration Mode, and enable *OSPF* in cyber security context, use the command **router ospf** in Global Configuration Mode. The no form of this command disables the *OSPF* Router Admin Status to terminate the *OSPF* process or deletes the Cyber security context of *OSPF*.

**router**

```
router ospf [cybsec]
```

**no router**

```
no router ospf [cybsec]
```

**Parameters**

| Parameter | Type | Description                                                                                                                                                                                                                                       |
|-----------|------|---------------------------------------------------------------------------------------------------------------------------------------------------------------------------------------------------------------------------------------------------|
| ospf      |      | Enter to enable OSPF routing process and enter into the OSPF Router Configuration Mode.                                                                                                                                                           |
| cybsec    |      | Enter to enable OSPF in cyber security space. The switch runs two instances of OSPF: one in iBiome and another one in cyber security space. This command turns on the dynamic routing capability using OSPF protocol in the cyber security space. |

**Mode**

Global Configuration Mode

**Examples**

```
iS5Comm(config)# router ospf cybsec
```

```
iS5Comm(config-router)# exit
```

```
iS5Comm(config)# no router ospf cybsec
```

**23.22. router-id**

To set the router identification for the *OSPF* process, use the command **router-id** in OSPF Router Configuration Mode. The no form of this command resets the configured router ID and dynamically selects least interface IP as router ID for *OSPF* process.

**router-id**

```
router-id <router ip address>
```

**no router-id**

```
no router-id <router ip address>
```

## Parameters

| Parameter                              | Type | Description                                                                                                                                                                                                                                                                                                                                     |
|----------------------------------------|------|-------------------------------------------------------------------------------------------------------------------------------------------------------------------------------------------------------------------------------------------------------------------------------------------------------------------------------------------------|
| <code>&lt;router ip address&gt;</code> |      | Enter to set the router ID for the OSPF process. The router ID is set to an IP address of a loopback interface if it is configured. An arbitrary value for the IP address for each router can be configured; however, each router ID must be unique. To ensure uniqueness, the router ID must match one of the router's IP interface addresses. |

## Mode

OSPF Router Configuration Mode

## Examples

```
iS5Comm(config)# router ospf
iS5Comm(config-router)# router-id 12.0.0.1
```

## 23.23. set nssa asbr-default-route

To enable or disable the setting of P bit in the default Type-7 LSA generated by NSSA internal ASBR, use the command **set nssa asbr-default-route** in OSPF Router Configuration Mode.

### set nssa

```
set nssa sbr-default-route translator {disable | enable}
```

## Parameters

| Parameter             | Type | Description                                                                                        |
|-----------------------|------|----------------------------------------------------------------------------------------------------|
| sbr-default<br>-route |      | Enter to configure the setting of P bit in the default Type-7 LSA generated by NSSA internal ASBR. |
| translator            |      | Enter to configure P-Bit related configuration.                                                    |
| disable               |      | Enter to clear P-Bit in the generated default LAS, when NSSA ASBR is set to disabled.              |
| enable                |      | Enter to set P-Bit in the generated Type-7 default LSA, when NSSA ASBR is set to enabled.          |

## Mode

OSPF Router Configuration Mode

## Default

disable

## Examples

```
iS5Comm(config)# router ospf
iS5Comm(config-router)# set nssa asbr-default-route translator enable
```

## 23.24. show ip ospf

To display the *OSPF*-related information, use the **show ip ospf** command in Privileged EXEC Mode.

### show ip ospf

```
show ip ospf
 [area-id]
 [{database {asbr-summary | external | network | nssa-external | opaque-area
| opaque-as | opaque-link | router | summary} [link-state-id] [{adv-router
<ip-address> | self-originate}] | {database-summary | self-originate |
adv-router <ip-address>}}] [cybsec]
 [border-routers]
```

```
[interface [{vlan <vlan-id/vfi-id> [switch <switch-name>] | {Gigabiteth-
ernet <interface-id> | Extreme-ethernet <interface-id> | <IP-interface-type>
<IP-interface-number> | ppp <1-128>}]

[neighbor [{vlan <vlan-id/vfi-id> [switch <switch-name>] | {Gigabitethernet
<interface-id> | Extreme-ethernet <interface-id> | <IP-interface-type>
<IP-interface-number>}] [Neighbor ID] [detail] [cybsec]

[request-list [<neighbor-id>] [{vlan <vlan-id/vfi-id> [switch
<switch-name>] | {Gigabitethernet <interface-id> | Extreme-ethernet <inter-
face-id> | <IP-interface-type> <IP-interface-number>}

[retransmission-list [<neighbor-id>] [{vlan <vlan-id/vfi-id> [switch
<switch-name>] | {Gigabitethernet <interface-id> | Extreme-ethernet <inter-
face-id> | <IP-interface-type> <IP-interface-number>}

[route] [cybsec]

[virtual-links]

[area-range | summary-address]

[redundancy]
```

## Parameters

| Parameter        | Type | Description                                                                                                                                                                                                      |
|------------------|------|------------------------------------------------------------------------------------------------------------------------------------------------------------------------------------------------------------------|
| area-id          |      | Enter to configure the area associated with the OSPF address range to be displayed. It will be specified as an IP address                                                                                        |
| database         |      | Enter to display OSPF Database summary for the LSA type.                                                                                                                                                         |
| asbr-summary     |      | Enter to display information only about the Autonomous System Boundary Router (ASBR) summary LSAs.                                                                                                               |
| external         |      | Enter to display information only about the external LSAs.                                                                                                                                                       |
| network          |      | Enter to display information only about the network LSAs.                                                                                                                                                        |
| nssa-external    |      | Enter to display information only about the external LSAs.                                                                                                                                                       |
| opaque-area      |      | Enter to display information only about the network LSAs.                                                                                                                                                        |
| opaque-as        |      | Enter to display information only about the external LSAs.                                                                                                                                                       |
| opaque-as        |      | Enter to display information only about the network LSAs.                                                                                                                                                        |
| router           |      | Enter to display information only about the router LSAs.                                                                                                                                                         |
| summary          |      | Enter to display information only about the summary LSAs.                                                                                                                                                        |
| link-state-id    |      | Enter to display the portion of the Internet environment that is being described by the advertisement. The value entered depends on the type of the LSA. The value must be entered in the form of an IP address. |
| adv-router       |      | Enter to display all specified router link-state advertisements (LSAs). If no IP address is included, the information is about the local router itself.                                                          |
| <ip-address>     |      | Enter to display only information only about this Ip Address.                                                                                                                                                    |
| cybsec           |      | Enter to display the OSPF neighborhood or database from the cyber security space, or the route learnt by the OSPF which runs in the cyber security space.                                                        |
| database-summary |      | Enter to display the total number of each type of LSA for each area there are in the database, and the total number of LSA type.                                                                                 |
| self-originate   |      | Enter to display only self-originated LSAs (from the local router).                                                                                                                                              |
| adv-router       |      | Enter to display all specified router link-state advertisements (LSAs). If no IP address is included, the information is about the local router itself.                                                          |
| <ip-address>     |      | Enter to display only information only about this Ip Address.                                                                                                                                                    |



| Parameter                          | Type | Description                                                                                                                                                                                                                                                                                                                                                                                                      |
|------------------------------------|------|------------------------------------------------------------------------------------------------------------------------------------------------------------------------------------------------------------------------------------------------------------------------------------------------------------------------------------------------------------------------------------------------------------------|
| border-routers                     |      | Enter to display the internal OSPF routing table entries to an Area Border Router and Autonomous System Boundary Router.                                                                                                                                                                                                                                                                                         |
| interface                          |      | Enter the general information of OSPF routing processes for the specified interface.                                                                                                                                                                                                                                                                                                                             |
| <vlan-id/vfi-id<br>>               |      | Enter to specify the range of the specified VLAN ID to be displayed. This is a unique value that represents the specific VLAN created and activated. The range (1-4094) is for VLAN ID and the range (4096 - 65535) is for VFI. Note that if router ports are used then correspondingly the last set of vlans will not be available. For example, if router ports is 24, then max VLAN number will be 4070 only. |
| switch                             |      | Enter to configure name of the switch to be displayed.                                                                                                                                                                                                                                                                                                                                                           |
| <switch-name>                      |      | Enter a name for the switch to be displayed.                                                                                                                                                                                                                                                                                                                                                                     |
| GigabitEthernet<br><interface-id>  |      | Enter to select Gigabit Ethernet interface to be displayed. Gigabit Ethernet interface is a version of Ethernet that supports data transfer up to 10 Gigabits per second. This Ethernet supports only full duplex links. Specify the interface ID with a format <0>/<1-28>—slot number/port number.                                                                                                              |
| Extreme-Ethernet<br><interface-id> |      | Enter to select Extreme Ethernet interface to be displayed. Extreme Ethernet interface is a version of LAN standard architecture that supports data transfer up to 1 Gigabit per second. Specify the interface ID with a format <0>/<1-28>—slot number/port number.                                                                                                                                              |
| <IP-interface-type>                |      | Enter to display the IP ARP information for the specified L3 Pseudo wire interface in the system.                                                                                                                                                                                                                                                                                                                |
| <IP-interface-number>              |      | Enter to display the IP ARP information for the specified L3 Pseudo wire interface identifier. This is a unique value that represents the specific interface. This value ranges from 1 to 65535 for Pseudowire interface.<br><b>NOTE:</b> Maximum number of Pseudowire interfaces supported in the system is 100.                                                                                                |
| ppp                                |      | Enter to display the PPP related information.                                                                                                                                                                                                                                                                                                                                                                    |
| <1-128>                            |      | Enter to display the PPP interface ID.                                                                                                                                                                                                                                                                                                                                                                           |
| neighbor                           |      | Enter to display the OSPF neighbor information list and the neighbor data structure.                                                                                                                                                                                                                                                                                                                             |

| Parameter                          | Type | Description                                                                                                                                                                                                                                                                                                                                                                                                      |
|------------------------------------|------|------------------------------------------------------------------------------------------------------------------------------------------------------------------------------------------------------------------------------------------------------------------------------------------------------------------------------------------------------------------------------------------------------------------|
| <vlan-id/vfi-id><br>>              |      | Enter to specify the range of the specified VLAN ID to be displayed. This is a unique value that represents the specific VLAN created and activated. The range (1-4094) is for VLAN ID and the range (4096 - 65535) is for VFI. Note that if router ports are used then correspondingly the last set of vlans will not be available. For example, if router ports is 24, then max VLAN number will be 4070 only. |
| switch                             |      | Enter to configure name of the switch to be displayed.                                                                                                                                                                                                                                                                                                                                                           |
| <switch-name>                      |      | Enter a name for the switch to be displayed.                                                                                                                                                                                                                                                                                                                                                                     |
| Gigabitethernet<br><interface-id>  |      | Enter to select Gigabit Ethernet interface to be displayed. Gigabit Ethernet interface is a version of Ethernet that supports data transfer up to 10 Gigabits per second. This Ethernet supports only full duplex links. Specify the interface ID with a format <0>/<1-28>—slot number/port number.                                                                                                              |
| Extreme-Ethernet<br><interface-id> |      | Enter to select Extreme Ethernet interface to be displayed. Extreme Ethernet interface is a version of LAN standard architecture that supports data transfer up to 1 Gigabit per second. Specify the interface ID with a format <0>/<1-28>—slot number/port number.                                                                                                                                              |
| <IP-interface-type>                |      | Enter to display the IP ARP information for the specified L3 Pseudo wire interface in the system.                                                                                                                                                                                                                                                                                                                |
| <IP-interface-number>              |      | Enter to display the IP ARP information for the specified L3 Pseudo wire interface identifier. This is a unique value that represents the specific interface. This value ranges from 1 to 65535 for Pseudowire interface.<br><b>NOTE:</b> Maximum number of Pseudowire interfaces supported in the system is 100.                                                                                                |
| Neighbor ID                        |      | Enter to display OSPF request LSAs for the specified neighbor router ID.                                                                                                                                                                                                                                                                                                                                         |
| detail                             |      | Enter to display the OSPF Link state request list advertisements (LSAs) requested by a router and debugging OSPF routing operations.                                                                                                                                                                                                                                                                             |
| request-list                       |      | Enter to display the OSPF Link state request list advertisements (LSAs) requested by a router and debugging OSPF routing operations.                                                                                                                                                                                                                                                                             |
| <neighbor-id>                      |      | Enter to display OSPF request LSAs for the specified neighbor router ID.                                                                                                                                                                                                                                                                                                                                         |

| Parameter                          | Type | Description                                                                                                                                                                                                                                                                                                                                                                                                     |
|------------------------------------|------|-----------------------------------------------------------------------------------------------------------------------------------------------------------------------------------------------------------------------------------------------------------------------------------------------------------------------------------------------------------------------------------------------------------------|
| <vlan-id/vfi-id<br>>               |      | Enter to specify the range of the specified VLAN ID to be displayed. This is a unique value that represents the specific VLAN created and activated. The range (1-4094) is for VLAN ID and the range (4096 - 65535) is for VFI. Note that if router ports are used then correspondingly the last set of vlans will not be available. For example, if router ports is 24, then max VLAN number will be 4070 only |
| switch                             |      | Enter to configure name of the switch to be displayed.                                                                                                                                                                                                                                                                                                                                                          |
| <switch-name>                      |      | Enter a name for the switch to be displayed.                                                                                                                                                                                                                                                                                                                                                                    |
| Gigabitethernet<br><interface-id>  |      | Enter to select Gigabit Ethernet interface to be displayed. Gigabit Ethernet interface is a version of Ethernet that supports data transfer up to 10 Gigabits per second. This Ethernet supports only full duplex links. Specify the interface ID with a format <0>/<1-28>—slot number/port number.                                                                                                             |
| Extreme-Ethernet<br><interface-id> |      | Enter to select Extreme Ethernet interface to be displayed. Extreme Ethernet interface is a version of LAN standard architecture that supports data transfer up to 1 Gigabit per second. Specify the interface ID with a format <0>/<1-28>—slot number/port number.                                                                                                                                             |
| <IP-interface-type>                |      | Enter to display the IP ARP information for the specified L3 Pseudo wire interface in the system.                                                                                                                                                                                                                                                                                                               |
| <IP-interface-number>              |      | Enter to display the IP ARP information for the specified L3 Pseudo wire interface identifier. This is a unique value that represents the specific interface. This value ranges from 1 to 65535 for Pseudowire interface.<br><b>NOTE:</b> Maximum number of Pseudowire interfaces supported in the system is 100.                                                                                               |
| retransmission-list                |      | Enter to display list of all OSPF Link state retransmission list information waiting to be resent. This value is also used while retransmitting database description and link-state request packets.                                                                                                                                                                                                            |
| Neighbor ID                        |      | Enter to display OSPF request LSAs for the specified neighbor router ID.                                                                                                                                                                                                                                                                                                                                        |

| Parameter                          | Type | Description                                                                                                                                                                                                                                                                                                                                                                                                      |
|------------------------------------|------|------------------------------------------------------------------------------------------------------------------------------------------------------------------------------------------------------------------------------------------------------------------------------------------------------------------------------------------------------------------------------------------------------------------|
| <vlan-id/vfi-id<br>>               |      | Enter to specify the range of the specified VLAN ID to be displayed. This is a unique value that represents the specific VLAN created and activated. The range (1-4094) is for VLAN ID and the range (4096 - 65535) is for VFI. Note that if router ports are used then correspondingly the last set of vlans will not be available. For example, if router ports is 24, then max VLAN number will be 4070 only. |
| switch                             |      | Enter to configure name of the switch to be displayed.                                                                                                                                                                                                                                                                                                                                                           |
| <switch-name>                      |      | Enter a name for the switch to be displayed.                                                                                                                                                                                                                                                                                                                                                                     |
| Gigabitethernet<br><interface-id>  |      | Enter to select Gigabit Ethernet interface to be displayed. Gigabit Ethernet interface is a version of Ethernet that supports data transfer up to 10 Gigabits per second. This Ethernet supports only full duplex links. Specify the interface ID with a format <0>/<1-28>—slot number/port number.                                                                                                              |
| Extreme-Ethernet<br><interface-id> |      | Enter to select Extreme Ethernet interface to be displayed. Extreme Ethernet interface is a version of LAN standard architecture that supports data transfer up to 1 Gigabit per second. Specify the interface ID with a format <0>/<1-28>—slot number/port number.                                                                                                                                              |
| <IP-interface-type>                |      | Enter to display the IP ARP information for the specified L3 Pseudowire interface in the system.                                                                                                                                                                                                                                                                                                                 |
| <IP-interface-number>              |      | Enter to display the IP ARP information for the specified L3 Pseudowire interface identifier. This is a unique value that represents the specific interface. This value ranges from 1 to 65535 for Pseudowire interface.<br><b>NOTE:</b> Maximum number of Pseudowire interfaces supported in the system is 100.                                                                                                 |
| route                              |      | Enter to display the routes learnt by OSPF process.                                                                                                                                                                                                                                                                                                                                                              |
| virtual-links                      |      | Enter to display the parameters and the current state of OSPF virtual links.                                                                                                                                                                                                                                                                                                                                     |
| summary                            |      | Enter to display OSPF summary-address redistribution information configured under an OSPF process.                                                                                                                                                                                                                                                                                                               |
| area-range                         |      | Enter to display the area associated with the OSPF address range.                                                                                                                                                                                                                                                                                                                                                |
| summary-address                    |      | Enter to display the aggregate addresses for OSPF.                                                                                                                                                                                                                                                                                                                                                               |

## Mode

Privileged EXEC Mode

## Examples

iS5Comm # show ip ospf

```

OSPF Router with ID (0.0.0.0)
Supports only single TOS(TOS0) route 0
paque LSA Support : Disabled
ABR Type supported is Standard ABR
Autonomous System Boundary Router : Disabled
P-Bit setting for the default Type-7 LSA that needs to be generated by
the ASBR(which is not ABR) is disabled
Non-Stop Forwarding disabled
Restart-interval limit: 120
Grace LSA Retransmission Count: 2
Helper Grace LSA ACK :Required
Restart Reason is:
 Unknown
Helper is Giving Support for:
 Unknown
 Software Restart
 Software Reload/Upgrade
 Switch To Redundant
 Helper Grace Time Limit: 0
 Strict LSA checking State Is: Disabled
 Route calculation staggering is enabled
 Route calculation staggering interval is -1718520588 milliseconds
Redistributing External Routes is disabled
Default passive-interface Disabled
 Rfc1583 compatibility is enabled
 Administrative Distance is 110
 Number of Areas in this router is 0
 Default information originate is disabled
 BFD is disabled

```

show ip ospf database external

```

OSPF Router with ID (10.0.0.1)
 Summary Link States (Area 33.0.0.12)

LS age : 300

```

```
Options : (No ToS Capability, DC)
LS Type : Summary Links(Network)
Link State ID : 10.0.0.0
Advertising Router : 10.0.0.1
LS Seq Number : 0x80000002
Checksum : 0xae77
Length : 28
```

### iS5Comm# show ip ospf database database-summary

```
OSPF Router with ID (12.0.0.1)
```

```
Router Link States (Area 0.0.0.0)
```

```

Link ID ADV Router Age Seq# Checksum Link count-----

12.0.0.1 12.0.0.1 48 0x80000002 0xd129 112.0.0.2
12.0.0.2 50 0x80000002 0xcf28 1 Network Link
States (Area 0.0.0.0)
```

```

Link ID ADV Router Age Seq# Checksum

12.0.0.2 49 0x80000001 0x629f -----12.0.0.2
```

```
OSPF Router with ID (14.0.0.1)
```

### iS5Comm# show ip ospf border-routers

```
OSPF Process Border Router Information
```

```
Destination TOS Type Next Hop Cost Rt. Type Area

12.0.0.2 0 ASBR 12.0.0.2 1 intra Area 0.0.0.0
```

### iS5Comm# show ip ospf interface vlan 1

```
Vlan1 is line protocol is up
 Internet Address 13.0.0.1, Mask 255.0.0.0, Area 0.0.0.0
 AS 1, Router ID 12.0.0.2, Network Type BROADCAST, Cost 1
 demand circuit is disabled
 Transmit Delay is 1 sec, State 4, Priority 1
 Designated Router ID 12.0.0.2, Interface address 13.0.0.1
 No backup designated router on this network
 Timer intervals configured, Hello 10, Dead 40, Wait 40, Retransmit 5
 Hello due in 1 sec
 Neighbor Count is 0, Adjacent neighbor count is 0
 sha-1 authentication enabled
 sha-1 authentication key is configured
 Youngest key id is 1
 Key Start Accept Time is 26-Jun-2013,02:50
```

```

Key Start Generate Time is 26-Jun-2013,02:50
Key Stop Generate Time is 06-Feb-2136,06:28
Key Stop Accept Time is 06-Feb-2136,06:28
Simple Authentication Key is not Configured
Bfd Enable

```

### iS5Comm# show ip ospf neighbor

| Neighbor-ID | Pri         | State       | DeadTime | Address  |
|-------------|-------------|-------------|----------|----------|
| Interface   | Helper      | HelperAge   | HelperER | Bfd      |
| 12.0.0.1    | 1           | FULL/BACKUP | 30       | 20.0.0.1 |
| vlan2       | Not Helping | 0           | None     | Enabled  |

### iS5Comm# show ip ospf request-list vlan 1

```

OSPF Router with ID (20.0.0.2)
Neighbor 10.0.0.1, interface vlan1 address 40.0.0.1
Type LS-ID ADV-RTR Seq No Age Checksum
---- ---- -
Neighbor 20.0.0.2, interface vlan1 address 40.0.0.2
Type LS-ID ADV-RTR Seq No Age Checksum
---- ---- -

```

### iS5Comm# show ip ospf retransmission-list vlan 1

```

OSPF Router with ID (20.0.0.2)
Neighbor 10.0.0.1, interface vlan1 address 10.0.0.2
Queue length 3
Type LS-ID ADV-RTR Seq No Age Checksum
1 20.0.0.2 20.0.0.2 0x80000006 0 0x522f

```

### iS5Comm# show ip ospf route

```

OSPF Routing Table
Dest/Mask TOS Next Hop/Interface Cost Rt. Type Area

12.0.0.0/255.0.0.0 0 0.0.0.0/vlan1 1 Intra Area 0.0.0.0
20.0.0.0/255.0.0.0 0 12.0.0.2/vlan1 10 Type2Ext 0.0.0.0

```

### iS5Comm# show ip ospf virtual-links

```

Virtual Link to router 10.0.0.1, Interface State is DOWN
Transit Area 33.0.0.12
Transmit Delay is 1 sec, Neighbor State DOWN
Timer intervals configured, Hello 10, Dead 60, Retransmit 5

```

### iS5Comm# show ip ospf redundancy

```
Redundancy Summary ----- Hot standby admin status :
Enabled Hot standby state : Active and Standby Up Hot standby bulk
update status : Completed Number of hello PDUs synced : 0 Number of
LSAs synced : 0
```

### iS5Comm# show ip ospf area-range

```
Display of Summary addresses for Type3 and Translated Type5
Summary Address
```

```

Network Mask LSA Type Area Effect Tag
----- ----- ----
10.0.0.0 255.0.0.0 Summary 33.0.0.12 Advertise 1074636208
```

### iS5Comm# show ip ospf neighbor cybsec

```
Neighbor-ID Pri State DeadTime Address Interface Helper
HelperAge HelperER Bfd
----- --- ----- ----- ----- ----- -----
----- ----- -----
```

### iS5Comm# show ip ospf database cybsec

```
OSPF Router with ID (11.11.11.11)
```

```
Router Link States (Area 0.0.0.0)
```

```
Link ID ADV Router Age Seq# CkSum Link count
1.1.1.1 1.1.1.1 562 0x8000000b 0xae39 1
11.11.11.11 11.11.11.11 561 0x80000003 0x565f 1
```

```
Net Link States (Area 0.0.0.0)
```

```
Link ID ADV Router Age Seq# CkSum
192.168.50.1 1.1.1.1 562 0x80000001 0xd88f
```

```
ospfd#
```

### iS5Comm# show ip ospf route cybsec

```
EXEC commands :
```

```
show ip ospf [vrf <name>] route [cybsec]
```

```
show ip ospf route cybsec
```

```
Dest/Mask NextHop/Interface Cost Area
----- -----/----- ---- ----
```



---

|                 |                |    |
|-----------------|----------------|----|
| 192.168.50.0/24 | 0.0.0.0/vlan50 | 10 |
| 0.0.0.0         |                |    |

## 23.25. summary-address

To create aggregate addresses for *OSPF* and help in reducing the size of the routing table, use the command **summary-address** in *OSPF* Router Configuration Mode. The `no` form of the command deletes the External Summary Address.

### **summary-address**

```
summary-address <Network> <Mask> <AreaId>
 [{allowAll | denyAll | advertise | not-advertise}]
 [Translation {disable | enable}]
 [tag <tag-value>]
```

### **no summary-address**

```
no summary-address <Network> <Mask> <AreaId> [not-advertise] [tag
<tag-value>]
```

## Parameters

| Parameter     | Type | Description                                                                                                                                                                                                                                                                                                                                                                                                                               |
|---------------|------|-------------------------------------------------------------------------------------------------------------------------------------------------------------------------------------------------------------------------------------------------------------------------------------------------------------------------------------------------------------------------------------------------------------------------------------------|
| <Network>     |      | Enter an IP address to configure the IP address of the network indicated by the range.                                                                                                                                                                                                                                                                                                                                                    |
| <Mask>        |      | Enter the subnet mask that pertains to the range. The mask indicates the range of addresses being described by the particular route. For example, a summary-LSA for the destination 128.185.0.0 with a mask of 0xffff0000 actually is describing a single route to the collection of destinations 128.185.0.0 - 128.185.255.255.                                                                                                          |
| <AreaId>      |      | Enter to configure the area associated with the OSPF address range and the identifier of the area about which routes are to be summarized. It can be specified as either a decimal value or as an IP address.<br><b>NOTE:</b> The Area Id should be of backbone area or NSSA area.                                                                                                                                                        |
| allowAll      |      | Enter to configure allowAll option and set associated area ID as 0.0.0.0 which generates the aggregated Type-5 for the specified range. In addition aggregated Type-7 are generated in all attached NSSA, for the specified range This parameter is valid only for area ID 0.0.0.0.                                                                                                                                                       |
| denyAll       |      | Enter to configure denyAll in which neither Type-5 nor Type-7 will be generated for the specified range. This parameter is valid only for area ID 0.0.0.0.                                                                                                                                                                                                                                                                                |
| advertise     |      | Enter to set the address range status to advertise and generate a Type 3 summary link-state advertisement (LSA). When associated area Id is 0.0.0.0, aggregated Type-5 are generated. For associated other than 0.0.0.0, aggregated Type-7 is generated in NSSA x.x.x.x.                                                                                                                                                                  |
| not-advertise |      | Enter to set the address range status to Not Advertise. The Type 3 summary LSA is suppressed, and the component networks remain hidden from other networks When associated area Id is 0.0.0.0, Type-5 is not generated for the specified range, while aggregated Type-7 are generated in all attached NSSA. For associated area Id x.x.x.x which is other than 0.0.0.0, Type-7 are not generated in NSSA x.x.x.x for the specified range. |
| Translation   |      | Enter to configure how an NSSA Border router is performing NSSA translation of Type-7 to Type-5 LSAs.                                                                                                                                                                                                                                                                                                                                     |
| disable       |      | Enter to clear P-Bit in the generated default LAS, when NSSA ASBR is set to disabled.                                                                                                                                                                                                                                                                                                                                                     |

| Parameter   | Type    | Description                                                                               |
|-------------|---------|-------------------------------------------------------------------------------------------|
| enable      |         | Enter to set P-Bit in the generated Type-7 default LSA, when NSSA ASBR is set to enabled. |
| tag         |         | Enter to configure the tag option for OSPF.                                               |
| <tag-value> | Integer | Enter a tag value.                                                                        |

## Mode

OSPF Router Configuration Mode

## Default

- summary-address - advertise
- translation - enabled

## Examples

```
iS5Comm(config)# router ospf
```

```
iS5Comm(config-router)# summary-address 10.0.0.6 255.0.0.0 10.0.0.0 Translation enabled
```

## 23.26. timers spf

To configure delay time and hold time between two consecutive SPF (Shortest Path First) calculations, use the command **timers spf** in OSPF Router Configuration Mode. The no form of the command resets the spf-delay and spf-holdtime to their default values.

### timers spf

```
timers spf <spf-delay(0-65535)> <spf-holdtime(0-65535)>
```

### no timers spf

```
no timers spf
```

## Parameters

| Parameter                                    | Type    | Description                                                                                                                                                                 |
|----------------------------------------------|---------|-----------------------------------------------------------------------------------------------------------------------------------------------------------------------------|
| <code>&lt;spf-delay (0-65535) &gt;</code>    | Integer | Enter a value to configure the interval by which SPF calculation is delayed after a topology change reception. This value ranges from 0 to 65535 seconds. The default is 5. |
| <code>&lt;spf-holdtime (0-65535) &gt;</code> | Integer | Enter a value to configure the minimum time between two consecutive SPF calculations. This value ranges from 0 to 65535 seconds. The default is 10.                         |

## Mode

OSPF Router Configuration Mode

## Default

- `spf-delay` - 5 seconds
- `spf-holdtime` - 10 seconds

## Examples

```
i5Comm(config)# router ospf
```

```
i5Comm(config-router)# timers spf 10 20
```

# DHCP

## 24. DHCP

*DHCP* (Dynamic Host Configuration Protocol) is used in a wide variety of devices, such as ISDN routers, firewalls, etc., for assigning IP addresses to workstations. Besides obtaining IP address, other configuration parameters for a workstation can also be configured for a *DHCP* server. *DHCP* clients can retrieve these parameters along with the IP address.

*DHCP* is based on client-server architecture. *DHCP* servers are configured with an IP address and several other configuration parameters. *DHCP* clients, typically workstations, obtain this IP address at start-up. The client obtains the address for a time period termed as the “lease” period. *DHCP* clients renew the address by sending a request for the IP address before the lease expires.

*DHCP* uses *UDP* (User Datagram Protocol) as its transport protocol and an *UDP* port for communication. *DHCP* relay agents connect servers present on a LAN with a client present on another.

### 24.1. DHCP Client

This section describes the *DHCP* Client on the switch.

*DHCP* (Dynamic Host Configuration Protocol) Client is an Internet host using *DHCP* to obtain configuration parameters such as an IP address. The figure below shows the basic steps that occur when a *DHCP* client requests an IP address from a *DHCP* server. The client, Host A, sends a *DHCP* DISCOVER broadcast message to locate a *DHCP* server. A *DHCP* server offers configuration parameters (such as an IP address, a MAC address, a domain name, and a lease for the IP address) to the client in a *DHCP* OFFER unicast message.

The Address Resolution Protocol (*ARP*) is a communication protocol used for discovering the link layer address, such as a MAC address, associated with a given Internet layer address, typically an IPv4 address. The *ARP* uses a simple message format containing one address resolution request or response. The size of the *ARP* message depends on the link layer and network layer address sizes. The message header specifies the types of network in use at each layer as well as the size of addresses of each. The message header is completed with the operation code for request (1) and reply (2). The payload of the packet consists of four addresses, the hardware and protocol address of the sender and receiver hosts.

### 24.2. DHCP Relay

This section describes the *DHCP* Relay agent on the switch.

*DHCP* relay agent is a host or an IP router that allows the *DHCP* client and *DHCP* server in different subnets to communicate with each other, so that the *DHCP* client can obtain its configuration information while booting. The relay agent receives packets from the client, inserts information such as network details, and forwards the modified packets to the server. The server identifies the client's network from the received packets, allocates the IP address accordingly, and sends reply to the relay. The relay strips the information inserted by the server and broadcasts the packets to the client's network.

### Relay Agent Information Option

Automatic *DHCP* address allocation is typically based on an IP address, whether it be the gateway IP address (giaddr field of the *DHCP* packet) or the incoming interface IP address. In some networks, it is necessary to use additional information to further determine which IP addresses to allocate. By using the relay agent information option, the *DHCP* relay agent can include additional information about itself when forwarding client-originated *DHCP* packets to a *DHCP* server.

When using the relay agent information option, the *DHCP* relay agent can include additional information about itself when forwarding client-originated *DHCP* packets to a *DHCP* server. The *DHCP* server can use this information to assign IP addresses, perform access control, and set quality of service (QoS) and security policies (or other parameter-assignment policies) for each subscriber of a service provider network.

The relay agent information option is inserted into the *DHCP* packet as follows:

- 1) The *DHCP* client generates a *DHCP* request and broadcasts it on the network.
- 2) The *DHCP* relay agent intercepts the broadcast *DHCP* request packet and inserts the relay agent information option (option 82) in the packet. The relay agent information option contains the related suboptions. The *DHCP* relay agent unicasts the *DHCP* packet to the *DHCP* server. The *DHCP* server receives the packet and uses the suboptions to assign IP addresses and other configuration parameters and forwards them back to the client.
- 3) The suboption fields are stripped off of the packet by the relay agent while forwarding to the client.

## 24.3. DHCP Server

This section describes the *DHCP* Server on the switch.

*DHCP* server is used for dynamically assigning unique IP address and other configuration parameters, such as gateway, to interfaces of a *DHCP* client. The IP address is leased to the interface only for a particular time period as mentioned in the *DHCP* lease. The interface should be renewed the *DHCP* lease once it expires.

The *DHCP* server assigns IP addresses from specified address pools on a router and manages them. Then, the subnet network number and mask of the *DHCP* address pool, the domain name for the client, the IP address of a *DNS* server that is available to a *DHCP* client, and the IP address of the default router for a *DHCP* client are specified.

As defined in RFC 3261, a Session Initiation Protocol (*SIP*) server must be an outbound proxy server. In the context of this document, a *SIP* server refers to the host the *SIP* server is running on. *SIP* is an application-layer control protocol that can establish, modify, and terminate multimedia sessions or established by Voice-over-IP telephony calls.

## 24.4. bootfile config-file

To define the name of the boot image file that the *DHCP* client should download during auto install process, use the command **bootfile config-file** in Global Configuration Mode. The no form of the command deletes the specified boot file name and assigns the value of boot file name as None (that is, no file is set as boot image file). The *DHCP* server passes this file name to the *DHCP* client. This command is a complete standardized implementation of the existing command and operates similar to that of the command `ip dhcp bootfile`.

### bootfile config-file

```
bootfile config-file <bootfile (63)>
```

### no bootfile config-file

```
no bootfile config-file
```

### Parameters

| Parameter       | Type | Description                                                                     |
|-----------------|------|---------------------------------------------------------------------------------|
| <bootfile (63)> |      | Enter a name for the boot image file. This is a string with maximum size of 63. |

### Mode

Global Configuration Mode

### Default

None (Null terminated string)

### Examples

```
iS5Comm (config)# bootfile config-file boot.img
```

## 24.5. clear ip dhcp client statistics

To clear the *DHCP* client statistics for all ports or for the specified interface created in the system, use the command **clear ip dhcp client statistics** in Privileged EXEC Mode / Global Configuration Mode.

### clear ip dhcp client statistics

```
clear ip dhcp client statistics
[interface {vlan <vlan-id (1-4094)> | <interface-type> <interface-id>}]
```

## Parameters

| Parameter                                 | Type    | Description                                                                                                                                                                                                                                                                                                                                                                                                                                                                                                                                                                                                                    |
|-------------------------------------------|---------|--------------------------------------------------------------------------------------------------------------------------------------------------------------------------------------------------------------------------------------------------------------------------------------------------------------------------------------------------------------------------------------------------------------------------------------------------------------------------------------------------------------------------------------------------------------------------------------------------------------------------------|
| <code>interface</code>                    |         | Enter to specify a interface to have DHCP client statistics cleared.                                                                                                                                                                                                                                                                                                                                                                                                                                                                                                                                                           |
| <code>vlan</code>                         |         | Enter to clear the DHCP client statistics for a specified VLAN.                                                                                                                                                                                                                                                                                                                                                                                                                                                                                                                                                                |
| <code>&lt;vlan-id<br/>(1-4094)&gt;</code> | Integer | Enter a VLAN ID for the DHCP client statistics to be cleared. This is a unique value that represents the specific VLAN created. This value ranges from 1 to 4094.                                                                                                                                                                                                                                                                                                                                                                                                                                                              |
| <code>&lt;interfac<br/>e-type&gt;</code>  |         | Enter to specify the type of interface for the DHCP client statistics to be cleared. The interface can be: <ul style="list-style-type: none"> <li>• gigabitethernet – A version of LAN standard architecture that supports data transfer up to 1 Gigabit per second.</li> <li>• extreme-ethernet – A version of Ethernet that supports data transfer up to 10 Gigabits per second. This Ethernet supports only full duplex links.</li> <li>• fastethernet – Officially referred to as 100BASE-T standard. This is a version of LAN standard architecture that supports data transfer up to 100 Megabits per second.</li> </ul> |
| <code>&lt;interfac<br/>e-id&gt;</code>    |         | Enter an interface ID for the DHCP client statistics to be cleared. This is a unique value that represents the specific interface. This value is a combination of slot number and port number separated by a slash. For example, 0/1 represents that the slot number is 0 and port number is 1.                                                                                                                                                                                                                                                                                                                                |

## Mode

Privileged EXEC Mode / Global Configuration Mode

## Examples

```
iS5Comm# clear ip dhcp client statistics
```

```
iS5Comm (config)# clear ip dhcp client statistics
```

## 24.6. clear ip dhcp relay statistics

To clears the *DHCP* relay statistics, use the command **clear ip dhcp relay statistics** in Privileged EXEC Mode / Global Configuration Mode.

### clear ip dhcp relay statistics

```
clear ip dhcp relay statistics
```



## Mode

Privileged EXEC Mode / Global Configuration Mode.

## Examples

```
iS5Comm (config)# clear ip dhcp relay statistics
```

## 24.7. clear ip dhcp server statistics

To clear the *DHCP* client statistics for all ports or for the specified interface created in the system, use the command **clear ip dhcp server statistics** in Privileged EXEC Mode / Global Configuration Mode.

### clear ip dhcp server statistics

```
clear ip dhcp server statistics
```

## Mode

Privileged EXEC Mode / Global Configuration Mode

## Examples

```
iS5Comm# clear ip dhcp server statistics
```

```
iS5Comm (config)# clear ip dhcp server statistics
```

## 24.8. debug ip dhcp

To enable the tracking of the DHCP operations as per the configured debug level, use the command **debug ip dhcp** in Privileged EXEC Mode. The no form of the command disables the tracking of the DHCP client operations. This command allows combination of debug levels to be configured (that is, more than one level of trace can be enabled or disabled). The debug levels are configured one after the other and not in single execution of the command.

### debug ip dhcp

```
debug ip dhcp
 {client {all | event | packets | errors | bind}
 | relay {all | errors}
 | server {all | events | packets | errors | bind | linkage}
 | snooping {[entry] [exit] [debug] [fail] | all}}
```

**no debug ip dhcp**

```
no debug ip dhcp
 {client {all | event | packets | errors | bind}
 | relay {all | errors}
 | server {all | events | packets | errors | bind | linkage}
 | snooping
```

## Parameters

| Parameter | Type | Description                                                                                                                                                                                                  |
|-----------|------|--------------------------------------------------------------------------------------------------------------------------------------------------------------------------------------------------------------|
| client    |      | Enter to enable the tracking of the DHCP client operations as per the configured debug levels. The debug statements are generated for the specified trace levels.                                            |
| all       |      | Enter to generate debug statements for all kind of failure traces.                                                                                                                                           |
| event     |      | Enter to generate debug statements for DHCP client events that provide DHCP client service status. The DHCP client events are generated when any of packets are sent successfully or when an ACK is received |
| packets   |      | Enter to generate debug statements for packets related messages. These messages are generated for all events generated during processing of packets.                                                         |
| errors    |      | Enter to generate debug statements for Link State Acknowledge Packet traces                                                                                                                                  |
| bind      |      | Enter to generate debug statements for trace bind messages. These messages are generated when a DHCP ACK is received.                                                                                        |
| relay     |      | Enter to enable the tracking of the DHCP relay operations as per the configured debug levels. The debug statements are generated for the specified trace levels.                                             |
| all       |      | Enter to generate debug statements for all kind of failure traces.                                                                                                                                           |
| errors    |      | Enter to generate debug statements for trace error code debug messages. These messages are generated for all error events generated.                                                                         |
| server    |      | Enter too enable the tracking of the DHCP relay operations as per the configured debug levels. The debug statements are generated for the specified trace levels.                                            |
| all       |      | Enter to generate debug statements for all kind of failure traces.                                                                                                                                           |
| event     |      | Enter to generate debug statements for DHCP server events that provide DHCP server service status. The DHCP client events are generated when any of packets are sent successfully or when an ACK is received |
| packets   |      | Enter to generate debug statements for packets related messages. These messages are generated for all events generated during processing of packets.                                                         |
| errors    |      | Enter to generate debug statements for trace error code debug messages. These messages are generated for all error events generated.                                                                         |
| bind      |      | Enter to generate debug statements for trace bind messages. These messages are generated when a DHCP ACK is received.                                                                                        |

| Parameter | Type | Description                                                                                                                                                                                                               |
|-----------|------|---------------------------------------------------------------------------------------------------------------------------------------------------------------------------------------------------------------------------|
| linkage   |      | Enter to generate debug statements for database linkage messages.                                                                                                                                                         |
| snooping  |      | Enter to enable the tracing of the DHCP snooping module as per the configured debug level. The trace statements are generated for the configured trace levels.                                                            |
| entry     |      | Enter to generate debug statements for function entry traces. The names of the functions entered are displayed in the log.                                                                                                |
| exit      |      | Enter to generate debug statements for function exit traces. The names of the functions exited are displayed in the log.                                                                                                  |
| debug     |      | Enter to generate debug statements for debug traces. This is used for debugging the packet flow of DHCP snooping functionality.                                                                                           |
| fail      |      | Enter to generate debug statements for all failure traces. These traces are used for all valid and invalid failures. The valid failures represent the expected error. The invalid failures represent the unexpected error |
| all       |      | Enter to generate debug statements for all types of traces.                                                                                                                                                               |

## Mode

Privileged EXEC Mode

## Default

Tracking of all DHCP modules operation is disabled

## Examples

```
iS5Comm# debug ip dhcp client all
```

```
iS5Comm# debug ip dhcp relay all
```

```
iS5Comm# debug ip dhcp server all
```

```
iS5Comm# debug ip dhcp snooping entry
```

## 24.9. default-router

To configure the IP address for the corresponding *DHCP* server address pool and of a default router to which a *DHCP* client should send packets after booting, use the command **default-router** in *DHCP* Pool Configuration Mode. The no form of the command deletes the default router IP address configuration for the *DHCP* server address pool. The default router IP address configuration is deleted, if the no form of the network command is executed successfully.

**default-router**

```
default-router <ip address>
```

**no default-router**

```
no default-router
```

**Parameters**

| Parameter    | Type | Description                                                                                                             |
|--------------|------|-------------------------------------------------------------------------------------------------------------------------|
| <ip address> |      | Enter a value to configure the IP address of a default router to which a DHCP client should send packets after booting. |

**Mode**

DHCP Pool Configuration Mode

**Prerequisites**

- The configured IP address of the default router should be on the same subnet of the DHCP client.
- The default router IP address configuration takes effect only after creating a subnet pool for a DHCP server address pool

**Examples**

```
iS5Comm(config)# ip dhcp pool 1 pool1
```

```
iS5Comm(dhcp-config)# default-router 10.23.2.99
```

**24.10. dns-server**

To configure the IP address of a *DNS* server for the corresponding *DHCP* server address pool, use the command **dns-server** in *DHCP* Pool Configuration Mode. The no form of the command deletes the *DNS* server IP address option configuration for the DHCP server address pool.

**dns-server**

```
dns-server <ip address> [<ip address>]
```

**no dns-server**

```
no dns-server
```

## Parameters

| Parameter                      | Type | Description                                                                                                                                                                                                                                                                         |
|--------------------------------|------|-------------------------------------------------------------------------------------------------------------------------------------------------------------------------------------------------------------------------------------------------------------------------------------|
| <ip address><br>[<ip address>] |      | Enter a value to configure the unicast IP address to be set for the corresponding DNS server that accepts IP address. The client correlates the DNS IP address with the host name. The DNS server is used to translate domain names and host names into corresponding IP addresses. |

## Mode

DHCP Pool Configuration Mode

## Prerequisites

This command is executed successfully only if a subnet pool is already created for the DHCP address pool.

## Examples

```
iS5Comm(config)# ip dhcp pool 1 pool1
```

```
iS5Comm(dhcp-config)# dns-server 12.0.0.1
```

## 24.11. domain-name

To configure the domain name option for the corresponding *DHCP* server address pool, use the command **domain-name** in *DHCP* Pool Configuration Mode. The no form of the command deletes the domain name option configuration for the *DHCP* server address pool. The domain name option configuration is deleted if the no form of the network command is executed successfully.

### domain-name

```
domain-name <domain (63)>
```

### no domain-name

```
no domain-name <domain (63)>
```

## Parameters

| Parameter     | Type    | Description                                                                                                                                                                                                                                                 |
|---------------|---------|-------------------------------------------------------------------------------------------------------------------------------------------------------------------------------------------------------------------------------------------------------------|
| <domain (63)> | Integer | Enter a value for the domain name option or the corresponding DHCP server address pool. A DHCP client uses this domain name while resolving host names through a domain name system. The DHCP option code is 15. This value is a string of maximum size 63. |

## Mode

DHCP Pool Configuration Mode

## Prerequisites

This command is executed successfully only if a subnet pool is already created for the DHCP address pool.

## Examples

```
iS5Comm(config)# ip dhcp pool 1 pool1
```

```
iS5Comm(dhcp-config)# domain-name 12
```

## 24.12. excluded-address

To create an excluded pool that defines a range of IP addresses that needs to be excluded from the created subnet pool, use the command **excluded-address** in *DHCP* Pool Configuration Mode. The **no** form of the command deletes the created excluded pool. The same start IP address and end IP address of the already created excluded pool should be provided while executing the **no** form of the command.

### **excluded-address**

```
excluded-address <low-address> <high-address>
```

### **no excluded-address**

```
no excluded-address <low-address> <high-address>
```

## Parameters

| Parameter      | Type    | Description                                                                                                                                                                                                                                                                                                                                                                   |
|----------------|---------|-------------------------------------------------------------------------------------------------------------------------------------------------------------------------------------------------------------------------------------------------------------------------------------------------------------------------------------------------------------------------------|
| <low-address>  | Integer | Enter to set the start IP address for an excluded pool. This address denotes the first IP address of a range of IP addresses which needs to be excluded from the created subnet pool. This IP address should be: <ul style="list-style-type: none"> <li>• lower than the end IP address, and</li> <li>• in the same network of the subnet pool's start IP address.</li> </ul> |
| <high-address> |         | Enter to set the end IP address for an excluded pool. This address denotes the last IP address of a range of IP addresses which needs to be excluded from the created subnet pool. This IP address should be: <ul style="list-style-type: none"> <li>• high than the start IP address, and within or equal to the subnet pool's end IP address</li> </ul>                     |

## Mode

DHCP Pool Configuration Mode

## Prerequisites

This command is executed successfully only if a subnet pool is already created for the DHCP address pool.

## Examples

```
iS5Comm(config)# ip dhcp pool 1 pool1
iS5Comm(dhcp-config)# excluded-address 20.0.0.1 20.0.0.30
```

## 24.13. host hardware-type

To configure host hardware type and its *DHCP* option with specific values, and set the *NTP* server, *DNS* server, and *SIP* server with the host specific *DHCP* server configuration parameters, use the command **host hardware-type** in DHCP Pool Configuration Mode. The no form of the command deletes the hardware type and its *DHCP* option and all servers from the host specific *DHCP* server configuration parameters.

### host hardware-type

```
host hardware-type <integer (1-255)> client-identifier
 {<mac-address> {ip <ip address> | option <code (1-2147483647)> {ascii
<string> | hex <hex_str> | ip <ip address>}}}}
 | {<ucast_mac>
```



```
{ntp-server <ip address> [<ip address>]
| dns-server <ip address> [<ip address>]
| sip-server {{domain <string> [<string>]} | {ip <ip address> [<ip
address>]}}
```

**no host hardware-type**

```
no host hardware-type <host-hardware-type (1-255)> client-identifier
{<client-mac-address> {ip | option <code (1-255)>}}
| {<ucast_mac>
{ntp-server
| dns-server
| sip-server}}
```

## Parameters

| Parameter                | Type    | Description                                                                                                                                                                                                                                    |
|--------------------------|---------|------------------------------------------------------------------------------------------------------------------------------------------------------------------------------------------------------------------------------------------------|
| <integer<br>(1-255)>     | Integer | Enter a value to configure the host hardware type for which the host address and the DHCP options needs to be configured. This value ranges from 1 to 255. Only the value 1 is supported, which represents that the hardware type is Ethernet. |
| client-identifier        |         | Enter to configure the DHCP client identifier in a host declaration so that a host record can be found using this client identifier. The client identifier represents the physical address (MAC address) of a network card.                    |
| <mac-address<br>>        |         | Enter a MAC address for the IPv4 address for the DHCP host.                                                                                                                                                                                    |
| ip                       |         | Enter to configure the IPv4 address for the DHCP host.                                                                                                                                                                                         |
| <ip address>             |         | Enter the IPv4 address for the DHCP host.                                                                                                                                                                                                      |
| option                   |         | Enter to configure the unique DHCP option code that represents a specific DHCP option used in a DHCP OFFER message on response to a DHCP DISCOVER message                                                                                      |
| <code<br>(1-2147483647)> | Integer | Enter a value for the unique DHCP option code that represents a specific DHCP option used in a DHCP OFFER message in response to a DHCP DISCOVER message. This value ranges from 1 to 2147483647.                                              |
| ascii                    |         | Enter to configure the ASCII value to be set for the corresponding option code that accepts ASCII string.                                                                                                                                      |
| <string>                 |         | Enter an ASCII value to be set for the corresponding option code that accepts ASCII string. This value is a character string that should contain only characters from NVT ASCII character set.                                                 |
| hex                      |         | Enter to configure the hexadecimal value to be set for the corresponding option code that accepts hexadecimal string.                                                                                                                          |
| <string>                 |         | Enter a hexadecimal value for the corresponding option code.                                                                                                                                                                                   |
| ip                       |         | Enter to configure the unicast IP address to be set for the corresponding option code that accepts IP address                                                                                                                                  |
| <ip address>             |         | Enter to configure the unicast IP address to be set for the corresponding option code that accepts IP address.                                                                                                                                 |
| <ucast_mac>              |         | Enter to configure the client identifier with the host MAC address.                                                                                                                                                                            |
| ntp-server               |         | Enter to set NTP servers in the host specific DHCP server configuration parameters.                                                                                                                                                            |

| Parameter    | Type | Description                                                                                                                                                                                                                                                              |
|--------------|------|--------------------------------------------------------------------------------------------------------------------------------------------------------------------------------------------------------------------------------------------------------------------------|
| <ip address> |      | Enter an unicast IP address for the corresponding NTP servers in the host specific DHCP server configuration.                                                                                                                                                            |
| dns-server   |      | Enter to set DNS servers in the host specific DHCP server configuration parameters.                                                                                                                                                                                      |
| <ip address> |      | Enter an unicast IP address for the corresponding DNS servers in the host specific DHCP server configuration.                                                                                                                                                            |
| sip-server   |      | Enter to set SIP servers in the host specific DHCP server configuration parameters. SIP stands for Session Initiation Protocol and refers to a TCP/IP-based network protocol which is often used in Voice-over-IP telephony to establish connection for telephone calls. |
| domain       |      | Enter to configure the domain names for the server.                                                                                                                                                                                                                      |
| string       |      | Enter a domain name for the server. The domain name should be specified as ASCII string                                                                                                                                                                                  |
| ip           |      | Enter to set SIP servers in the host specific DHCP server configuration parameters.                                                                                                                                                                                      |
| <ip address> |      | Enter to an unicast IP address for the corresponding SIP servers in the host specific DHCP server configuration.                                                                                                                                                         |

## Mode

DHCP Pool Configuration Mode

## Examples

```
iS5Comm(config)# ip dhcp pool 1 pool1
```

```
iS5Comm(dhcp-config) # host hardware-type 1 client-identifier 00:01:02:03:04:01 option 67 ascii abcd
```

```
iS5Comm(dhcp-config) # host hardware-type 1 client-identifier 00:11:22:33:44:55 dns-server 12.0.0.1
13.0.0.0
```

```
iS5Comm(dhcp-config) # host hardware-type 1 client-identifier 00:11:22:33:44:55 ntp-server 12.0.0.1
13.0.0.0
```

```
iS5Comm (dhcp-config)# host hardware-type 1 client-identifier 00:11:22:33:44:55 sip-server domain
sipsrv sipsrv1
```

## 24.14. ip dhcp bootfile

To configure the name for the initial boot file to be loaded in a *DHCP* client, use the command **ip dhcp bootfile** in Global Configuration Mode. The no form of the command deletes the boot file name (that is, no file is specified as the initial boot file).

### ip dhcp bootfile

```
ip dhcp bootfile <bootfile (63)>
```

### no ip dhcp bootfile

```
no ip dhcp bootfile
```

### Parameters

| Parameter       | Type | Description                                                                                                                                                                                                               |
|-----------------|------|---------------------------------------------------------------------------------------------------------------------------------------------------------------------------------------------------------------------------|
| <bootfile (63)> |      | Enter a name for the initial boot file to be loaded in a DHCP client. The file name is a string whose maximum size is 63. The boot file contains the boot image that is used as the operating system for the DHCP client. |

### Mode

Global Configuration Mode

### Examples

```
iS5Comm (config)# ip dhcp bootfile boot1
```

## 24.15. ip dhcp client

To set the *DHCP* option type for requests to the server and set an unique identifier for the *DHCP* client identifier, use the command **ip dhcp client** in Interface Configuration Mode (VLAN / Router). The no form of the command resets the *DHCP* option type for requests to the server and the *DHCP* client identifier.

### ip dhcp client

```
ip dhcp client
```

```
{client-id {<interface-type> <interface-id> | vlan <vlan-id (1-4094)> |
port-channel <port-channel-id (1-65535)> | tunnel <tunnel-id (0-128)> |
loopback <interface-id (0-100)> | ascii <string> | hex <string>}
| request {tftp-server-name | boot-file-name | sip-server-info | option240}
| vendor-specific <vendor-info>}
```

**no ip dhcp client**

```
no ip dhcp client
 {client-id
 | request {tftp-server-name | boot-file-name | sip-server-info | option240}
 | vendor-specific}
```

## Parameters

| Parameter                   | Type    | Description                                                                                                                                                                                                                                                                                                                                                                                                                                                                                                                                                                                                                                    |
|-----------------------------|---------|------------------------------------------------------------------------------------------------------------------------------------------------------------------------------------------------------------------------------------------------------------------------------------------------------------------------------------------------------------------------------------------------------------------------------------------------------------------------------------------------------------------------------------------------------------------------------------------------------------------------------------------------|
| client-id                   |         | Enter to set the unique identifier for the DHCP client identifier. This command advertises the client-id in the DHCP control packet.                                                                                                                                                                                                                                                                                                                                                                                                                                                                                                           |
| <interface-type>            |         | Enter to specify the interface type for the DHCP client-id. The interface can be: <ul style="list-style-type: none"> <li>gigabitethernet – A version of LAN standard architecture that supports data transfer up to 1 Gigabit per second.</li> <li>extreme-ethernet – A version of Ethernet that supports data transfer up to 10 Gigabits per second. This Ethernet supports only full duplex links.</li> <li>extreme-ethernet – A version of Ethernet that supports data transfer up to 10 Gigabits per second. This Ethernet supports only full duplex links.</li> <li>i-lan – Internal LAN created on a bridge per IEEE 802.1ap.</li> </ul> |
| <interface-id>              |         | Enter to configure an interface id for the DHCP client-id for the specified interface identifier. This is a unique value that represents the specific interface. This value is a combination of slot number and port number separated by a slash. For example: 0/1 represents that the slot number is 0 and port number is 1.                                                                                                                                                                                                                                                                                                                  |
| vlan                        |         | Enter to configure DHCP client-id for a specified VLAN.                                                                                                                                                                                                                                                                                                                                                                                                                                                                                                                                                                                        |
| <vlan-id (1-4094)>          | Integer | Enter a VLAN ID for the DHCP client ID. This is a unique value that represents the specific VLAN created. This value ranges from 1 to 4094.                                                                                                                                                                                                                                                                                                                                                                                                                                                                                                    |
| port-channel                |         | Enter to configure the port to be used by the host to configure the router. The port channel identifier can be created or port channel related configuration can done, only if the LA feature is enabled in the switch.                                                                                                                                                                                                                                                                                                                                                                                                                        |
| <port-channel-id (1-65535)> | Integer | Enter a value for port ID for the port to be used by the host to configure the router. This value ranges from 1 to 65535                                                                                                                                                                                                                                                                                                                                                                                                                                                                                                                       |
| tunnel                      |         | Enter to configure the tunnel identifier.                                                                                                                                                                                                                                                                                                                                                                                                                                                                                                                                                                                                      |
| <tunnel-id (0-128)>         | Integer | Enter a value for the tunnel identifier. This value ranges from 0 to 128.                                                                                                                                                                                                                                                                                                                                                                                                                                                                                                                                                                      |
| loopback                    |         | Enter to configure the loopback identifier.                                                                                                                                                                                                                                                                                                                                                                                                                                                                                                                                                                                                    |

| Parameter              | Type    | Description                                                                                                                                                                     |
|------------------------|---------|---------------------------------------------------------------------------------------------------------------------------------------------------------------------------------|
| <interface-id (0-100)> | Integer | Enter a a value for the loopback identifier. This value ranges from 0 to 100.                                                                                                   |
| ascii                  |         | Enter to configure the DHCP client ID in ascii format.                                                                                                                          |
| <string>               |         | Enter a value for client ID in ascii format. The client-id is given as a string.                                                                                                |
| hex                    |         | Enter to configure the DHCP client ID in hex format                                                                                                                             |
| <string>               |         | Enter a value for client ID in ascii format. The client-id is given as a string.                                                                                                |
| request                |         | Enter to set the DHCP option type for requests to the server. This is required to send DHCP request to get the tftp server name, Boot file name, sip server name and option240. |
| tftp-server-name       |         | Enter to configure to send the DHCP requests for getting the TFTP server's domain name                                                                                          |
| boot-file-name         |         | Enter to configure to send the DHCP requests for getting he boot File Name                                                                                                      |
| sip-server-info        |         | Enter to configure to send the DHCP requests for getting the sip server details                                                                                                 |
| option240              |         | Enter to configure to send the DHCP requests for getting the the option 240 information.                                                                                        |
| vendor-specific        |         | Enter to configure vendor specific information for the DHCP client.                                                                                                             |
| <vendor-info (string)> |         | Enter a vendor name. The vendor name is given as a string.                                                                                                                      |

## Mode

Interface Configuration Mode (VLAN / Router)

## Prerequisites

This command executes successfully only if the VLAN interfaces and router ports are in BOUND state (that is, IP address is dynamically acquired from DHCP server and an active lease is bound to the interface). The port should have been configured as router port for dynamically acquiring an IP address from DHCP server.

## Examples

```
iS5Comm (config-if)# ip dhcp client client-id gigabitethernet 0/1
```

```
iS5Comm (config-if)# ip dhcp client request option240
```

## 24.16. ip dhcp client

To enable *DHCP* fast access Mode and configure the ARP, discovery and idle *DHCP* timers, use the command **ip dhcp client** in Privileged EXEC Mode. The no form of the command resets all *DHCP* Client timers to their defaults and disables *DHCP* Client fast access mode.

### ip dhcp client

```
ip dhcp client
 {arp-check timer <integer (1-20)>
 | discovery timer <integer (1-300)>
 | fast-access
 | idle timer <integer (1-300)>}
```

### no ip dhcp client

```
no ip dhcp client
 {arp-check timer | discovery timer | fast-access | idle timer}
```



## Parameters

| Parameter            | Type    | Description                                                                                                                                                                                                                                                                                                                          |
|----------------------|---------|--------------------------------------------------------------------------------------------------------------------------------------------------------------------------------------------------------------------------------------------------------------------------------------------------------------------------------------|
| arp-check<br>time    |         | Enter to configure DHCP client retransmission timeout between ARP messages. For devices to be able to communicate with each other when they are not part of the same network, the 48-bit MAC address must be mapped to an IP address. One of the Layer 3 protocols used to perform the mapping is Address Resolution Protocol (ARP). |
| <integer<br>(1-20)>  | Integer | Enter a value for the DHCP client retransmission timeout between ARP messages. This value ranges from 1 to 20.                                                                                                                                                                                                                       |
| discovery<br>timer   |         | Enter to configure DHCP Client Discovery timer, which denotes the time to wait between discovery messages sent by the DHCP client.<br><b>NOTE:</b> This command executes only if ip dhcp client fast-access is enabled                                                                                                               |
| <integer<br>(1-300)> | Integer | Enter a value for the time to wait between discovery messages sent by the DHCP client. This value ranges from 1 to 300                                                                                                                                                                                                               |
| fast-access          |         | Enter to enable DHCP fast access mode. If fast access mode is enabled, time to wait between discovery messages i.e. discovery timeout and time to wait after four unsuccessful discovery will be user configurable and the default value for discovery timeout is 5 seconds and for the null state timeout is 1 second.              |
| idle timer           |         | Enter to configure DHCP Client Discovery timer, DHCP Client idle timer which specifies the time to wait after four unsuccessful DHCP client discovery messages.<br><b>NOTE:</b> This command executes only if ip dhcp client fast-access is enabled.                                                                                 |
| <integer<br>(1-300)> | Integer | Enter a value for the time to wait after four unsuccessful DHCP client discovery messages. This value ranges from 1 to 300.                                                                                                                                                                                                          |

## Mode

Privileged EXEC Mode

## Default

- If dhcp fast mode is enabled, the default DHCP Client arp-check timer is 1, DHCP Client Discovery timer is 5, and the default DHCP Client Idle timer is 1.
- If dhcp fast mode is disabled, the default DHCP Client arp-check timer is 3, the default DHCP Client Discovery timer is 15, and the default DHCP Client Idle timer is 18.

## Examples

```
iS5Comm# ip dhcp client arp-check timer 8
```

```
iS5Comm# ip dhcp client fast-access
```

```
iS5Comm# ip dhcp client discovery timer 8
```

```
iS5Comm# ip dhcp client idle timer 8
```

## 24.17. ip dhcp dns-server

To set the *DNS* server in the host specific *DHCP* server configuration parameters, use the command **ip dhcp dns-server** in Global Configuration Mode. The no form of the command deletes the *DNS* servers from the host specific *DHCP* server configuration parameters.

### ip dhcp dns-server

```
ip dhcp dns-server <ip address> [<ip address>]
```

### no ip dhcp dns-server

```
no ip dhcp dns-server
```

## Parameters

| Parameter    | Type | Description                                                                                                      |
|--------------|------|------------------------------------------------------------------------------------------------------------------|
| dns-server   |      | Enter to set DNS servers in the host specific DHCP server configuration parameters.                              |
| ip           |      | Enter to set DNS servers in the host specific DHCP server configuration parameters.                              |
| <ip address> |      | Enter to an unicast IP address for the corresponding DNS servers in the host specific DHCP server configuration. |

## Mode

Global Configuration Mode

## Examples

```
iS5Comm(config)# ip dhcp dns-server 12.0.0.1 13.0.0.0
```

## 24.18. ip dhcp excluded-address

To create an excluded pool and to prevent *DHCP* server from assigning certain addresses to *DHCP* clients, use the command **ip dhcp excluded-address** in Global Configuration Mode. The no form of the command deletes the created excluded pool. This command is a complete standardized implementation of the existing command and operates similar to that of the command `excluded-address`. This command is used to exclude a single IP address or a range of IP addresses.

### ip dhcp excluded-address

```
ip dhcp excluded-address <low-address> <high-address>
```

### ip dhcp excluded-address

```
no ip dhcp excluded-address <low-address> <high-address>
```

### Parameters

| Parameter      | Type    | Description                                                                                                                                                                                                                                                                                                                                                                   |
|----------------|---------|-------------------------------------------------------------------------------------------------------------------------------------------------------------------------------------------------------------------------------------------------------------------------------------------------------------------------------------------------------------------------------|
| <low-address>  | Integer | Enter to set the start IP address for an excluded pool. This address denotes the first IP address of a range of IP addresses which needs to be excluded from the created subnet pool. This IP address should be: <ul style="list-style-type: none"> <li>• lower than the end IP address, and</li> <li>• in the same network of the subnet pool's start IP address.</li> </ul> |
| <high-address> |         | Enter to set the end IP address for an excluded pool. This address denotes the last IP address of a range of IP addresses which needs to be excluded from the created subnet pool. This IP address should be: <ul style="list-style-type: none"> <li>• high than the start IP address, and within or equal to the subnet pool's end IP address</li> </ul>                     |

### Mode

Global Configuration Mode

### Prerequisites

- Subnet pool should have been created before creating an excluded pool. This excluded pool should be within the range of the created subnet pool.
- For example, the excluded pool 20.0.0.20 – 20.0.0.30 created using this command is within the already created subnet pool 20.0.0.0 – 20.0.0.100.

## Examples

```
iS5Comm(config)# ip dhcp excluded-address 20.0.0.20 20.0.0.30
```

## 24.19. ip dhcp next-server

To set the IP address of the boot server (that is, *TFTP* server) from which the initial boot file is to be loaded in a *DHCP* client, use the command **ip dhcp next-server** in Global Configuration Mode. The no form of the command deletes the boot server details and resets to its default value.

### ip dhcp next-server

```
ip dhcp next-server <ip address>
```

### no ip dhcp next-server

```
no ip dhcp next-server
```

## Parameters

| Parameter    | Type | Description                                                                                                                                                                                                      |
|--------------|------|------------------------------------------------------------------------------------------------------------------------------------------------------------------------------------------------------------------|
| <ip address> |      | Enter a valid address for the IP address of the boot server (that is, <i>TFTP</i> server) from which the initial boot file is to be loaded in a <i>DHCP</i> client. This boot server acts as a secondary server. |

## Mode

Global Configuration Mode

## Default

0.0.0.0; No boot server is defined. *DHCP* server is used as the boot server.

## Examples

```
iS5Comm (config)# ip dhcp next-server 12.0.0.1
```

## 24.20. ip dhcp ntp-server

To set the *NTP* server in the host specific *DHCP* server configuration parameters, use the command **ip dhcp ntp-server** in Global Configuration Mode. The no form of the command deletes the *NTP* servers from the host specific *DHCP* server configuration parameters.

**ip dhcp ntp-server**

```
ip dhcp ntp-server <ip address> [<ip address>]
```

**no ip dhcp ntp-server**

```
no ip dhcp ntp-server
```

**Parameters**

| Parameter    | Type | Description                                                                                                      |
|--------------|------|------------------------------------------------------------------------------------------------------------------|
| ntp-server   |      | Enter to set NTP servers in the host specific DHCP server configuration parameters.                              |
| ip           |      | Enter to set NTP servers in the host specific DHCP server configuration parameters.                              |
| <ip address> |      | Enter to an unicast IP address for the corresponding NTP servers in the host specific DHCP server configuration. |

**Mode**

Global Configuration Mode

**Examples**

```
iS5Comm(config)# ip dhcp ntp-server 12.0.0.1 14.0.0.1
```

**24.21. ip dhcp option**

To set the *DHCP* Server options, use the command **ip dhcp server** in Global Configuration Mode. The **no** form of the command deletes the existing *DHCP* server option. This command globally configures the various available *DHCP* server options with the corresponding specific values. These values can be an ASCII string, hexadecimal string or IP address. These global options are applicable for all *DHCP* server address pools.

**ip dhcp option**

```
ip dhcp option <code (1-2147483647)> {ascii <string> | hex <string> | <ip address>}
```

**no ip dhcp option**

```
no ip dhcp option <code (1-2147483647)>
```

## Parameters

| Parameter                                | Type    | Description                                                                                                                                                                                       |
|------------------------------------------|---------|---------------------------------------------------------------------------------------------------------------------------------------------------------------------------------------------------|
| <code>&lt;code (1-2147483647)&gt;</code> | Integer | Enter a value for the unique DHCP option code that represents a specific DHCP option used in a DHCP OFFER message in response to a DHCP DISCOVER message. This value ranges from 1 to 2147483647. |
| <code>ascii</code>                       |         | Enter to configure the ASCII value to be set for the corresponding option code that accepts ASCII string.                                                                                         |
| <code>&lt;string&gt;</code>              |         | Enter an ASCII value to be set for the corresponding option code that accepts ASCII string. This value is a character string that should contain only characters from NVT ASCII character set.    |
| <code>hex</code>                         |         | Enter to configure the hexadecimal value to be set for the corresponding option code that accepts hexadecimal string.                                                                             |
| <code>&lt;string&gt;</code>              |         | Enter a hexadecimal value for the corresponding option code.                                                                                                                                      |
| <code>&lt;ip address&gt;</code>          |         | Enter to configure the unicast IP address to be set for the corresponding option code that accepts IP address.                                                                                    |

## Mode

Global Configuration Mode

## Examples

```
iS5Comm(config)# ip dhcp option 19 hex d
iS5Comm# show ip dhcp server pools
 Global Options

 Code : 19, Value : 0
```

## 24.22. ip dhcp pool

To create a *DHCP* server address pool and enters *DHCP* pool configuration mode in which the pool is customized, use the command **ip dhcp pool** in Global Configuration Mode. The address pool has a range of IP addresses that can be assigned to the *DHCP* client and also information about client configuration parameters such as domain name. The no form of the command deletes the existing *DHCP* server address pool.

### ip dhcp pool

```
ip dhcp pool <index (1-2147483647)> [<Pool Name>]
```

**no ip dhcp pool**

```
no ip dhcp pool <index (1-2147483647)>
```

**Parameters**

| Parameter              | Type | Description                                                                                                          |
|------------------------|------|----------------------------------------------------------------------------------------------------------------------|
| <index (1-2147483647)> |      | Enter to a value for a unique ID for the specified DHCP server address pool. This value ranges from 1 to 2147483647. |
| <Pool Name>            |      | Enter a name for the poll; the format is a string.                                                                   |

**Mode**

Global Configuration Mode

**Examples**

```
iS5Comm(config)# ip dhcp pool 1 PoolZD
```

```
iS5Comm(dhcp-config)#
```

**24.23. ip dhcp relay**

To define the type of information to be present in circuit ID sub-option that is used in the *DHCP* relay agent information option or enable support for the *DHCP* relay agent information option, use the command **ip dhcp relay** in Global Configuration Mode. The no form of the command disables the processing related to *DHCP* relay agent information option.

**ip dhcp relay**

```
ip dhcp relay {circuit-id option {router-index | vlanid | recv-port} |
information option}
```

**no ip dhcp relay**

```
no ip dhcp relay information option
```

## Parameters

| Parameter    | Type | Description                                                                                                                                                                                                                                                                                                                                                                                                                                                                                                                                                                                                                                                                                |
|--------------|------|--------------------------------------------------------------------------------------------------------------------------------------------------------------------------------------------------------------------------------------------------------------------------------------------------------------------------------------------------------------------------------------------------------------------------------------------------------------------------------------------------------------------------------------------------------------------------------------------------------------------------------------------------------------------------------------------|
| circuit-id   |      | Enter to define the type of information to be present in circuit ID sub-option that is used in the DHCP relay agent information option.<br><b>NOTE:</b> The type of information to be present in the circuit ID sub-option can be configured, only if the DHCP relay agent is enabled to perform processing related to DHCP relay agent information option.                                                                                                                                                                                                                                                                                                                                |
| option       |      | Enter to configure the option related configuration.                                                                                                                                                                                                                                                                                                                                                                                                                                                                                                                                                                                                                                       |
| router-index |      | Enter to add information related to router interface indexes in the circuit ID sub-option. This is the default option.                                                                                                                                                                                                                                                                                                                                                                                                                                                                                                                                                                     |
| vlanid       |      | Enter to enable the Default Circuit Id information in the relay agent information (RAI) option. The recv-port can be a physical interface index or lag port.                                                                                                                                                                                                                                                                                                                                                                                                                                                                                                                               |
| recv-port    |      | Enter to add information related to physical interfaces or LAG ports in the circuit ID sub-option.                                                                                                                                                                                                                                                                                                                                                                                                                                                                                                                                                                                         |
| information  |      | Enter to enable the DHCP relay agent information (RAI) option. By using the RAI option, the DHCP relay agent can include additional information about itself when forwarding client-originated DHCP packets to a DHCP server. By default, processing related to DHCP relay agent information option is disabled.<br><b>NOTE:</b> If RAI is enabled, the circuit-id needs to be configured explicitly by users.                                                                                                                                                                                                                                                                             |
| option       |      | Enter to enable the DHCP relay agent information option. By using the relay agent information option, the DHCP relay agent can include additional information about itself when forwarding client-originated DHCP packets to a DHCP server. The DHCP server can use this information to assign IP addresses, perform access control, and set quality of service (QoS) and security policies (or other parameter-assignment policies) for each subscriber of a service provider network.<br><b>NOTE:</b> Since ip dhcp relay information command is configured in Global Configuration Mode but not in Interface Configuration mode, the global configuration is applied to all interfaces. |

## Mode

Global Configuration Mode



## Examples

```
iS5Comm(config)# ip dhcp relay circuit-id option vlandid
```

```
iS5Comm(config)# ip dhcp relay information option
```

## 24.24. ip dhcp server

To add the configured IP address to the IP address list created for the *DHCP* server, use the command **ip dhcp server** in Global Configuration Mode. The **no** form of the command deletes the mentioned IP address from the IP address list.

### ip dhcp server

```
ip dhcp server {<ip address> | {offer-reuse <timeout (1-120)>}}
```

### no ip dhcp server

```
no ip dhcp server {<ip address> | offer-reuse}
```

## Parameters

| Parameter         | Type | Description                                                                                                                                                                                                                                                                                                                                                                                                               |
|-------------------|------|---------------------------------------------------------------------------------------------------------------------------------------------------------------------------------------------------------------------------------------------------------------------------------------------------------------------------------------------------------------------------------------------------------------------------|
| <ip address>      |      | Enter to configure the IP address. The switches or systems having these IP addresses represent the DHCP servers to which the DHCP relay agent can forward the packets that are received from DHCP clients. The DHCP relay agent broadcasts the received packets to entire network except the network from which the packets are received, if the DHCP server list is empty (that is IP address is configured as 0.0.0.0). |
| offer-reuse       |      | Enter to configure the amount of time the DHCP Server entity would wait for the DHCP REQUEST from the client before reusing the offer.                                                                                                                                                                                                                                                                                    |
| <timeout (1-120)> |      | Enter a value for the amount of time the DHCP Server entity would wait for the DHCP REQUEST from the client before reusing the offer.                                                                                                                                                                                                                                                                                     |

## Mode

Global Configuration Mode

## Default

DHCP server list

## Prerequisites

The IP address list can contain only 5 IP addresses (that is, only a maximum of 5 DHCP servers can be listed).

## Examples

```
iS5Comm(config)# ip dhcp server 12.0.0.1
```

## 24.25. ip dhcp sip-server

To set the *SIP* server in the host specific *DHCP* server configuration parameters, use the command **ip dhcp sip-server** in Global Configuration Mode. The no form of the command deletes the *SIP* servers from the host specific *DHCP* server configuration parameters.

### ip dhcp sip-server

```
ip dhcp sip-server {{domain <string> [<string>]} | {ip <ip address> [<ip address>]}}
```

### no ip dhcp sip-server

```
no ip dhcp sip-server
```

## Parameters

| Parameter    | Type | Description                                                                                                                                                                                                                                                              |
|--------------|------|--------------------------------------------------------------------------------------------------------------------------------------------------------------------------------------------------------------------------------------------------------------------------|
| sip-server   |      | Enter to set SIP servers in the host specific DHCP server configuration parameters. SIP stands for Session Initiation Protocol and refers to a TCP/IP-based network protocol which is often used in Voice-over-IP telephony to establish connection for telephone calls. |
| domain       |      | Enter to configure the domain names for the server.                                                                                                                                                                                                                      |
| string       |      | Enter a domain name for the server. The domain name should be specified as ASCII string                                                                                                                                                                                  |
| ip           |      | Enter to set SIP servers in the host specific DHCP server configuration parameters.                                                                                                                                                                                      |
| <ip address> |      | Enter to an unicast IP address for the corresponding SIP servers in the host specific DHCP server configuration.                                                                                                                                                         |

## Mode

Global Configuration Mode

## Examples

```
iS5Comm(config)# ip dhcp sip-server domain str str1
```

## 24.26. ip dhcp snooping

To enable Layer 2 *DHCP* snooping in the specific *VLAN*, use the command **ip dhcp snooping** in *VLAN* Configuration Mode. The no form of the command globally disables Layer 2 *DHCP* snooping in the specific *VLAN*. *DHCP* snooping feature filters the untrusted *DHCP* messages to provide security for *DHCP* servers.

### ip dhcp snooping

```
ip dhcp snooping
```

### Mode

VLAN Configuration Mode

### Default

L2 DHCP snooping is disabled on VLANs.

## Examples

```
iS5Comm(config)# int vlan 1
iS5Comm (config-vlan)# ip dhcp snooping
```

## 24.27. ip dhcp snooping trust

To configure the port as a trusted port, use the command **ip dhcp snooping trust** in Interface Configuration Mode. The no form of the command configures the port as an untrusted port. The packets coming from the trusted port is considered as trusted packets and are not filtered by the *DHCP* snooping feature.

### ip dhcp snooping trust

```
ip dhcp snooping trust
```

### Mode

Interface Configuration Mode

## Default

Ports are considered trusted.

## Examples

```
iS5Comm(config)# interface gi 0/2
iS5Comm(config-if)# ip dhcp snooping trust
```

## 24.28. ip dhcp snooping

To enable the L2 *DHCP* snooping in the switch globally or in the specific *VLAN* or *DHCP MAC* verification in the switch, use the command **ip dhcp snooping** in Global Configuration Mode. The **no** form of the command globally disables Layer 2 *DHCP* snooping in the switch or disables *DHCP* snooping in the specific *VLAN*. The *DHCP* snooping module will stop the protocol operation when the snooping is globally disabled.

### **ip dhcp snooping**

```
ip dhcp snooping [vlan <vlan-id (1-4094)> | verify mac-address]
```

### **no ip dhcp snooping**

```
no ip dhcp snooping [vlan <vlan-id (1-4094)> | verify mac-address]
```

## Parameters

| Parameter             | Type    | Description                                                                                                                                                                                                                                                            |
|-----------------------|---------|------------------------------------------------------------------------------------------------------------------------------------------------------------------------------------------------------------------------------------------------------------------------|
| vlan                  |         | Enter to configure L2 DHCP snooping in the specific VLAN. The DHCP snooping module will start the protocol operation when the snooping is enabled globally.                                                                                                            |
| <vlan-id<br>(1-4094)> | Integer | Enter a VLAN ID for the L2 DHCP snooping to be configured. This is a unique value that represents the specific VLAN created. This value ranges from 1 to 4094.                                                                                                         |
| verify                |         | Enter to enable globally DHCP MAC verification in the switch.                                                                                                                                                                                                          |
| mac-address           |         | Enter to start MAC Address verification. If the MAC verification status is enabled, DHCP snooping module will verify whether the source Mac address and client hardware Mac address are same. If they are same, packet will be processed further; else, it is dropped. |

## Mode

Global Configuration Mode

## Default

DHCP MAC address verification is enabled.

## Examples

```
iS5Comm(config)# ip dhcp snooping vlan 2
```

**NOTE:** The example used and the ip dhcp snooping command used in the config-vlan mode serve the same purpose.

```
iS5Comm (config)# ip dhcp snooping verify mac-address
```

## 24.29. lease

To configure the *DHCP* lease period for an IP address (for the corresponding *DHCP* server address pool) that is assigned from a *DHCP* server to a *DHCP* client, use the command **lease** in *DHCP* Pool Configuration Mode. The no form of the command resets the *DHCP* lease period to its default value. The *DHCP* lease period configuration is deleted and reset if the no form of the network command is executed successfully.

### lease

```
lease {<days (0-365)> [<hours (0-23)> [<minutes (1-59)>]] | infinite}
```

**no lease**

no lease

**Parameters**

| Parameter           | Type    | Description                                                                                                                                                                                                                                                                                             |
|---------------------|---------|---------------------------------------------------------------------------------------------------------------------------------------------------------------------------------------------------------------------------------------------------------------------------------------------------------|
| <days<br>(0-365)>   | Integer | Enter a value for the number of days that is used to calculate the DHCP lease period. The period also depends on the configured number of hours and minutes. This value ranges from 0 to 365. The value 0 is valid only if either number of hours or minutes is configured with any value other than 0. |
| <hours<br>(0-23)>   | Integer | Enter a value for the number of hours that is used to calculate the DHCP lease period. The period also depends on the configured number of days and minutes. This value ranges from 0 to 23. The value 0 is valid only if either number of days or minutes is configured with any value other than 0.   |
| <minutes<br>(1-59)> | Integer | Enter a value for the number of minutes that is used to calculate the DHCP lease period. The period also depends on the configured number of days and hours. This value ranges from 1 to 59.                                                                                                            |
| infinite            |         | Enter to configure the DHCP lease period as 2147483647 seconds.                                                                                                                                                                                                                                         |

**Mode**

DHCP Pool Configuration Mode

**Default**

3600 seconds (1 hour)

**Prerequisites**

The DHCP lease period configuration takes effect only after creating a subnet pool for a DHCP server address pool.

**Examples**

```
iS5Comm(config)# ip dhcp pool 1 pool1
```

```
iS5Comm(dhcp-config) # lease 1
```

## 24.30. netbios-name

To configure the IP address of a *NetBIOS* (Network Basic Input / Output System) and *WINS* (Windows Internet Naming Service) name servers that are available to Microsoft DHCP clients for the corresponding DHCP server address pool, use the command **netbios-name** in DHCP Pool Configuration Mode. The no form of the command deletes the *NetBIOS* and *WINS* name servers IP address configuration for the DHCP server address pool. The *NetBIOS WINS* name server option configuration is deleted, if the no form of the network command is executed successfully.

### netbios-name

```
netbios-name <ip address>
```

### no netbios-name

```
no netbios-name
```

### Parameters

| Parameter    | Type | Description                                                                                                                                                                                                                                                                                                                                                                                                                                      |
|--------------|------|--------------------------------------------------------------------------------------------------------------------------------------------------------------------------------------------------------------------------------------------------------------------------------------------------------------------------------------------------------------------------------------------------------------------------------------------------|
| <ip address> |      | Enter a value to configure the NetBIOS and WINS name servers IP address configuration for the DHCP server address pool. The NetBIOS name server provides the following three distinct services: <ul style="list-style-type: none"> <li>• Name service for name registration and resolution</li> <li>• Session service for connection oriented communication</li> <li>• Datagram distribution service for connectionless communication</li> </ul> |

### Mode

DHCP Pool Configuration Mode

### Prerequisites

The NetBIOS WINS name server configuration takes effect only if a subnet pool is already created for the DHCP server address pool.

### Examples

```
iS5Comm(config)# ip dhcp pool 1 pool1
```

```
iS5Comm(dhcp-config)# netbios-name-server 20.0.0.3
```

## 24.31. netbios-node

To configure the *NetBIOS* node type for Microsoft DHCP clients for the corresponding *DHCP* server address pool, use the command **netbios-node** in DHCP Pool Configuration Mode. The node type denotes the method used to register and resolve *NetBIOS* names to IP addresses. The no form of the command deletes the *NetBIOS* node type option configuration for the *DHCP* server address pool.

### netbios-node

```
netbios-node {<0-FF> | b-node | h-node | m-node | p-node}
```

### no netbios-node

```
no netbios-node
```

### Parameters

| Parameter | Type | Description                                                                                                                                                                                                                                                               |
|-----------|------|---------------------------------------------------------------------------------------------------------------------------------------------------------------------------------------------------------------------------------------------------------------------------|
| <0-FF>    |      | Enter a value to allow NetBIOS over TCP/IP clients. The value ranges from 0 to 255.                                                                                                                                                                                       |
| b-mode    |      | Enter to configure the DHCP server address pool to broadcast IP messages for registering and resolving NetBIOS names to IP addresses. The node type value is set as 1.                                                                                                    |
| h-mode    |      | Enter to configure the DHCP server address pool to initially query name server and subsequently broadcast IP messages for registering and resolving NetBIOS names to IP addresses. The node type value is set as 8. This node type is the best option for all conditions. |
| m-mode    |      | Enter to configure the DHCP server address pool to initially broadcast IP message and then query name server for registering and resolving NetBIOS names to IP addresses. The node type value is set as 4.                                                                |
| p-mode    |      | Enter to configure the DHCP server address pool to have point-to-point communication with a NetBIOS name server for registering and resolving NetBIOS names to IP addresses. The node type value is set as 2.                                                             |

### Mode

DHCP Pool Configuration Mode

### Prerequisites

The NetBIOS node type configuration takes effect only after creating a subnet pool for a DHCP server address pool.



## Examples

```
iS5Comm(config)# ip dhcp pool 1 pool1
iS5Comm(dhcp-config)# netbios-node h-node
```

## 24.32. netbios-node-type

To configure the *NetBIOS* node type for Microsoft *DHCP* clients for the corresponding *DHCP* server address pool, use the command **netbios-node-type** in *DHCP* Pool Configuration Mode. The node type denotes the method used to register and resolve *NetBIOS* names to IP addresses. The no form of the command deletes the *NetBIOS* node type option configuration for the *DHCP* server address pool.

### netbios-node-type

```
netbios-node-type {<0-FF> | b-node | h-node | m-node | p-node}
```

### no netbios-node-type

```
no netbios-node-type
```

## Parameters

| Parameter | Type | Description                                                                                                                                                                                                                                                               |
|-----------|------|---------------------------------------------------------------------------------------------------------------------------------------------------------------------------------------------------------------------------------------------------------------------------|
| <0-FF>    |      | Enter a value to allow NetBIOS over TCP/IP clients. It ranges from 0 to 255.                                                                                                                                                                                              |
| b-mode    |      | Enter to configure the DHCP server address pool to broadcast IP messages for registering and resolving NetBIOS names to IP addresses. The node type value is set as 1.                                                                                                    |
| h-mode    |      | Enter to configure the DHCP server address pool to initially query name server and subsequently broadcast IP messages for registering and resolving NetBIOS names to IP addresses. The node type value is set as 8. This node type is the best option for all conditions. |
| m-mode    |      | Enter to configure the DHCP server address pool to initially broadcast IP message and then query name server for registering and resolving NetBIOS names to IP addresses. The node type value is set as 4.                                                                |
| p-mode    |      | Enter to configure the DHCP server address pool to have point-to-point communication with a NetBIOS name server for registering and resolving NetBIOS names to IP addresses. The node type value is set as 2.                                                             |

## Mode

DHCP Pool Configuration Mode

## Prerequisites

The NetBIOS node type configuration takes effect only after creating a subnet pool for a DHCP server address pool.

## Examples

```
iS5Comm(config)# ip dhcp pool 1 pool1
```

```
iS5Comm(dhcp-config)# netbios-node-type h-node
```

## 24.33. network

To create a subnet pool that defines a network IP subnet address for the corresponding *DHCP* address pool and contains IP addresses to be assigned to the *DHCP* client, use the command **network** in *DHCP* Pool Configuration Mode. The **no** form of the command deletes the created subnet pool.

### network

```
network <start- IP> [<mask> | / <prefix-length (1-31)>] [<end ip>]
```

### no network

```
no network
```

## Parameters

| Parameter              | Type | Description                                                                                                                                                                                                                                                                                                                                                                                                                                                                                                     |
|------------------------|------|-----------------------------------------------------------------------------------------------------------------------------------------------------------------------------------------------------------------------------------------------------------------------------------------------------------------------------------------------------------------------------------------------------------------------------------------------------------------------------------------------------------------|
| <start-IP>             |      | Enter a value for the IP subnet address for the DHCP pool. The addresses within the specified network subnet are assigned to the DHCP client, if no restriction is applied. For example, the value is configured as 20.0.0.0, then any one of the address within the range from 20.0.0.1 to 20.255.255.254 can be assigned to the DHCP client if no other limitations such as end IP address are set. This value should be unique (that is, one subnet address can be assigned only for one DHCP address pool). |
| <mask>                 |      | Enter a value for the subnet mask for the network IP address. This is a 32-bit number which is used to divide the IP address into network address and host address. This value is used to automatically calculate the end IP address for the pool. For example: The value 254.0.0.0 represents that the end IP address is 21.255.255.254, if the network subnet is set as 20.0.0.0                                                                                                                              |
| <prefix-length (1-31)> |      | Enter a number of high-order bits in the IP address. These bits are common among all hosts within a network. This value should be preceded by a slash (/) with space before and after the slash. This value is used to automatically calculate the end IP address for the pool and set the mask for the subnet. For example: value 20.0.0.0 / 6 represents that the end IP address is 23.255.255.254 and the mask is 252.0.0.0.                                                                                 |
| <end ip>               |      | Enter a value for the end IP address for the network IP subnet set for the DHCP address pool. This value restricts the IP addresses that can be assigned to the DHCP client. This value is used to manually set the end IP address. This value overrides the end IP address calculated automatically using the mask or prefix-length.                                                                                                                                                                           |

## Mode

DHCP Pool Configuration Mode

## Default

- mask - 255.0.0.0
- end ip - Represents the last possible subnet address. For example: If network subnet address is mentioned as 20.0.0.0, then end IP address would be 20.255.255.254.

## Examples

```
iS5Comm(config)# ip dhcp pool 1 pool1
iS5Comm(dhcp-config)# network 20.0.0.0 255.0.0.0 20.0.0.50
```

## 24.34. ntp-server

To set the *NTP* server in the host specific *DHCP* server configuration parameters, use the command **ntp-server** in *DHCP* Pool Configuration Mode. The **no** form of the command deletes the *NTP* servers from the host specific *DHCP* server configuration parameters.

### ntp-server

```
ntp-server <ip address> [<ip address>]
```

### no ntp-server

```
no ntp-server
```

## Parameters

| Parameter    | Type | Description                                                                                                      |
|--------------|------|------------------------------------------------------------------------------------------------------------------|
| ntp-server   |      | Enter to set NTP servers in the host specific DHCP server configuration parameters.                              |
| ip           |      | Enter to set NTP servers in the host specific DHCP server configuration parameters.                              |
| <ip address> |      | Enter to an unicast IP address for the corresponding NTP servers in the host specific DHCP server configuration. |

## Mode

DHCP Pool Configuration Mode

## Examples

```
iS5Comm(config)# ip dhcp pool 1 pool1
iS5Comm(dhcp-config)# ntp-server 12.0.0.1 13.0.0.
```

## 24.35. option

To configure the various available *DHCP* server options with the corresponding specific values for the corresponding *DHCP* server address pool, use the command **option** in DHCP Pool Configuration Mode. These values can be an ASCII string, hexadecimal string or IP address. The no form of the command deletes the *DHCP* server option for the *DHCP* server address pool. The *DHCP* server option configuration is deleted if the no form of the network command is executed successfully.

### option

```
option <code (1-2147483647)> {ascii <string> | hex <hex_str> | <ip address>}
```

### no option

```
no option <code (1-2147483647)>
```

### Parameters

| Parameter             | Type    | Description                                                                                                                                                                                       |
|-----------------------|---------|---------------------------------------------------------------------------------------------------------------------------------------------------------------------------------------------------|
| <code (1-2147483647)> | Integer | Enter a value for the unique DHCP option code that represents a specific DHCP option used in a DHCP OFFER message in response to a DHCP DISCOVER message. This value ranges from 1 to 2147483647. |
| ascii                 |         | Enter to configure the ASCII value to be set for the corresponding option code that accepts ASCII string.                                                                                         |
| <string>              |         | Enter an ASCII value to be set for the corresponding option code that accepts ASCII string. This value is a character string that should contain only characters from NVT ASCII character set.    |
| hex                   |         | Enter to configure the hexadecimal value to be set for the corresponding option code that accepts hexadecimal string.                                                                             |
| <string>              |         | Enter a hexadecimal value for the corresponding option code.                                                                                                                                      |
| <ip address>          |         | Enter to configure the unicast IP address to be set for the corresponding option code that accepts IP address.                                                                                    |

### Mode

DHCP Pool Configuration Mode

### Default

Option code - 1

## Prerequisites

The DHCP server options configuration takes effect only after creating a subnet pool for a DHCP server address pool.

## Examples

```
iS5Comm(config)# ip dhcp pool 1 pool1
iS5Comm(dhcp-config)# option 19 hex f
```

## 24.36. release dhcp

To immediately release the *DHCP* lease obtained for an IP address from a *DHCP* server and assigned to the specified interface, use the command **release dhcp** in Privileged EXEC Mode. The current lease assigned to that interface is terminated manually. The lease is terminated to reset the *DHCP* client which faces connectivity problem. The *DHCP* lease provided by the *DHCP* server represents the time interval till which the *DHCP* client can use the assigned IP address.

### release dhcp

```
release dhcp
{cpu0 | vlan <vlan-id (1-4094)> | <interface-type> <interface-id>}
```

## Parameters

| Parameter                 | Type    | Description                                                                                                                                                                                                                                                                                                                                                                                                                   |
|---------------------------|---------|-------------------------------------------------------------------------------------------------------------------------------------------------------------------------------------------------------------------------------------------------------------------------------------------------------------------------------------------------------------------------------------------------------------------------------|
| cpu0                      |         | Enter to release the DHCP lease for the management interface.                                                                                                                                                                                                                                                                                                                                                                 |
| vlan                      |         | Enter to configure release of the DHCP lease for a specified VLAN.                                                                                                                                                                                                                                                                                                                                                            |
| <vlan-id<br>(1-4094)<br>> | Integer | Enter a VLAN ID for the DHCP lease to be released. This is a unique value that represents the specific VLAN created. This value ranges from 1 to 4094.                                                                                                                                                                                                                                                                        |
| <interfa<br>ce-type>      |         | Enter to specify the type of interface for the DHCP lease to be released. The interface can be: <ul style="list-style-type: none"> <li>gigabitethernet – A version of LAN standard architecture that supports data transfer up to 1 Gigabit per second.</li> <li>extreme-ethernet – A version of Ethernet that supports data transfer up to 10 Gigabits per second. This Ethernet supports only full duplex links.</li> </ul> |
| <interfa<br>ce-id>        |         | Enter to configure release of the DHCP lease for the specified interface identifier. This is a unique value that represents the specific interface. This value is a combination of slot number and port number separated by a slash. For example: 0/1 represents that the slot number is 0 and port number is 1                                                                                                               |

## Mode

Privileged EXEC Mode

## Prerequisites

This command executes successfully only if the VLAN interfaces and router ports are in BOUND state (that is, IP address is dynamically acquired from DHCP server and an active lease is bound to the interface). The port should have been configured as router port for dynamically acquiring an IP address from DHCP server.

## Examples

```
iS5Comm# release dhcp vlan 1
```

## 24.37. renew dhcp

To immediately renew the *DHCP* lease for the interface specified, use the command **renew dhcp** in Privileged EXEC Mode. The current lease acquired by the specified interface is manually renewed or else,

when a new *DHCP* lease is acquired for an interface with a terminated lease. The *DHCP* lease is automatically renewed, once the lease expires.

### renew dhcp

```
renew dhcp
```

```
{cpu0 | vlan <vlan-id (1-4094)> | <interface-type> <interface-id>}
```

### Parameters

| Parameter          | Type    | Description                                                                                                                                                                                                                                                                                                                                                                                                                  |
|--------------------|---------|------------------------------------------------------------------------------------------------------------------------------------------------------------------------------------------------------------------------------------------------------------------------------------------------------------------------------------------------------------------------------------------------------------------------------|
| cpu0               |         | Enter to renew the DHCP lease for the management interface.                                                                                                                                                                                                                                                                                                                                                                  |
| vlan               |         | Enter to configure renewal of DHCP lease for a specified VLAN.                                                                                                                                                                                                                                                                                                                                                               |
| <vlan-id (1-4094)> | Integer | Enter a VLAN ID for the DHCP lease to be renewed. This is a unique value that represents the specific VLAN created. This value ranges from 1 to 4094.                                                                                                                                                                                                                                                                        |
| <interface-type>   |         | Enter to specify the type of interface for the DHCP lease to be renewed. The interface can be: <ul style="list-style-type: none"> <li>gigabitethernet – A version of LAN standard architecture that supports data transfer up to 1 Gigabit per second.</li> <li>extreme-ethernet – A version of Ethernet that supports data transfer up to 10 Gigabits per second. This Ethernet supports only full duplex links.</li> </ul> |
| <interface-id>     |         | Enter an interface ID to have configured renewal of the DHCP lease. This is a unique value that represents the specific interface. This value is a combination of slot number and port number separated by a slash. For example: 0/1 represents that the slot number is 0 and port number is 1.                                                                                                                              |

### Mode

Privileged EXEC Mode

### Prerequisites

This command executes successfully only if the VLAN interfaces and router ports are in BOUND state (that is, IP address is dynamically acquired from DHCP server and an active lease is bound to the interface). The port should have been configured as router port for dynamically acquiring an IP address from DHCP server.

### Examples

```
iS5Comm# renew dhcp vlan 1
```



## 24.38. service dhcp

To enable the *DHCP* server in the switch and relay agent features on router that assigns unique IP addresses and other configuration parameters to interfaces of a *DHCP* client, use the command **service dhcp** in Global Configuration Mode. The no form of this command disables the *DHCP* Server. This command is a complete standardized implementation of the existing command and operates similar to that of the command `service dhcp-server`.

### service dhcp

```
service dhcp
```

### no service dhcp

```
no service dhcp
```

### Mode

Global Configuration Mode

### Default

DHCP server is disabled

### Prerequisites

The DHCP server can be enabled in the switch, only if the DHCP relay agent is disabled in the switch.

### Examples

```
iS5Comm(config)# service dhcp
```

## 24.39. service dhcp-relay

To enable the *DHCP* relay agent in the switch, use the command **service dhcp-relay** in Global Configuration Mode. *DHCP* relay agent relays *DHCP* messages between *DHCP* client and *DHCP* server located in different subnets. The no form of the command disables the *DHCP* relay agent.

### service dhcp-relay

```
service dhcp-relay
```

### no service dhcp-relay

```
no service dhcp-relay
```

## Mode

Global Configuration Mode

## Default

DHCP relay agent is disabled (that is, the switch acts as a DHCP client)

## Prerequisites

The DHCP relay agent can be enabled in the switch, only if the DHCP server is disabled in the switch.

## Examples

```
iS5Comm(config)# service dhcp-relay
```

## 24.40. service dhcp-server

To enable the *DHCP* server in the switch (that is, to enable the switch to act as a *DHCP* server), use the command **service dhcp-server** in Global Configuration Mode. The *DHCP* server assigns unique IP address and other configuration parameters such as gateway to interfaces of a *DHCP* client. This is the first step in enabling the *DHCP* server on the router. The no form of the command disables the *DHCP* server in the switch.

### service dhcp-server

```
service dhcp-server
```

### no service dhcp-server

```
no service dhcp-server
```

## Mode

Global Configuration Mode

## Default

DHCP server is disabled (that is, the switch acts as a DHCP client)

## Prerequisites

The DHCP server can be enabled in the switch, only if the DHCP relay agent is disabled in the switch.

## Examples

```
iS5Comm(config)# service dhcp-server
```

## 24.41. set dhcp-client enable / disable

To enable *DHCP* services the **set dhcp-client enable/disable** command is used to open the necessary *UDP* ports and permit access to the service.

### set dhcp-client enable/disable

```
set dhcp-client
 {enable | disable}
```

### Parameters

| Parameter | Type | Description                            |
|-----------|------|----------------------------------------|
| enable    |      | Enables the DHCP client module status  |
| disable   |      | Disables the DHCP client module status |

### Mode

Global Configuration Mode

### Examples

```
iS5Comm# configure terminal
iS5Comm(config)# set dhcp-client enable
```

## 24.42. show dhcp server

To display the *DHCP* servers' IP addresses, use the command **show dhcp server** in Privileged EXEC Mode. These addresses denote the PCs or switches that can act as a *DHCP* server.

### show dhcp server

```
show dhcp server
```

### Mode

Privileged EXEC Mode

## Examples

```
iS5Comm# show dhcp server
 Context Name : default

 DHCP server : 0.0.0.0
```

## 24.43. show ip dhcp client

To display the unique identifier for the *DHCP* client, *DHCP* fast access information, *DHCP* client options, and *DHCP* client statistics information, use the command **show ip dhcp client** in Privileged EXEC Mode.

### show ip dhcp client

```
show ip dhcp client
 {client-id | fast-access | option | stats}
```

### Parameters

| Parameter   | Type | Description                                                                                                                                                                                                                                                                                                                                                                                                                                |
|-------------|------|--------------------------------------------------------------------------------------------------------------------------------------------------------------------------------------------------------------------------------------------------------------------------------------------------------------------------------------------------------------------------------------------------------------------------------------------|
| client-id   |      | Enter to display the unique identifier for the DHCP client.                                                                                                                                                                                                                                                                                                                                                                                |
| fast-access |      | Enter to display DHCP fast access information such as Fast Access Mode status, Dhcp Client Fast Access DiscoverTimeOut, Dhcp Client Fast Access NullStateTimeOut, Dhcp Client Fast Access Arp Check TimeOut values.                                                                                                                                                                                                                        |
| option      |      | Enter to display DHCP client options set by a server which provides the details like interface, interface type, length, and value.                                                                                                                                                                                                                                                                                                         |
| stats       |      | Enter to display the DHCP client statistics information for interfaces that are configured to acquire IP address dynamically from the DHCP server. The statistics information contains interface name, IP address assigned by DHCP server, DHCP lease details, details regarding number of DHCPDISCOVER, DHCPREQUEST, DHCPDECLINE, DHCPRELEASE and DHCPINFORM packets received and number of DHCP OFFER packets sent from the DHCP client. |

### Mode

Privileged EXEC Mode

### Examples

```
iS5Comm# show ip dhcp client client-id
```

**iS5Comm# show ip dhcp client fast-access**

```

DHCP Client Timer Settings

Fast Access Mode : Enable
DHCP Client Fast Access DiscoverTimeout : 5
DHCP Client Fast Access NullStateTimeout : 1
DHCP Client Fast Access Arp Check Timeout : 1

```

**iS5Comm# show ip dhcp client option**

```

DHCP Client Options

Interface Type Len Value

vlan1 43
vlan1 60 6 vendor
vlan1 66
vlan1 67
vlan1 120
vlan1 240

```

**iS5Comm# show ip dhcp client stats**

```

DHCP Client Statistics
-----I
Interface : vlan1
Client IP Address : 12.0.0.21
Client Lease Time : 3600
Client Remain Lease Time : 3569
Message Statistics

DHCP DISCOVER : 1
DHCP REQUEST : 1
DHCP DECLINE : 0
DHCP RELEASE : 0
DHCP INFORM : 0
DHCP OFFER : 1

```

## 24.44. show ip dhcp relay

To display the *DHCP* relay agent configuration information for a *VLAN* interface or all interfaces for which relay agent details are configured, use the command **show ip dhcp relay** in Privileged EXEC Mode. The information contains status of the *DHCP* relay, *DHCP* server IP addresses, status of relay information

option, configured debug level and statistics details regarding number of packets affected by relay information option, circuit ID sub option, remote ID sub option, and subnet mask sub option.

### show ip dhcp relay

```
show ip dhcp relay information [vlan <vlan-id (1-4094)>] [<iftype> <ifnum>]
```

### Parameters

| Parameter          | Type    | Description                                                                                                                                                                                                                                                                                                                                                                                                                                                    |
|--------------------|---------|----------------------------------------------------------------------------------------------------------------------------------------------------------------------------------------------------------------------------------------------------------------------------------------------------------------------------------------------------------------------------------------------------------------------------------------------------------------|
| information        |         | Enter to display the DHCP relay agent configuration information.                                                                                                                                                                                                                                                                                                                                                                                               |
| vlan               |         | Enter to display the DHCP relay agent configuration information for a specified VLAN.                                                                                                                                                                                                                                                                                                                                                                          |
| <vlan-id (1-4094)> | Integer | Enter a VLAN ID for the DHCP relay agent configuration information to be displayed. This is a unique value that represents the specific VLAN created. This value ranges from 1 to 4094.                                                                                                                                                                                                                                                                        |
| <iftype>           |         | Enter to specify the type of interface for the DHCP relay agent configuration information to be displayed. The interface can be: <ul style="list-style-type: none"> <li>gigabitethernet – A version of LAN standard architecture that supports data transfer up to 1 Gigabit per second.</li> <li>extreme-ethernet – A version of Ethernet that supports data transfer up to 10 Gigabits per second. This Ethernet supports only full duplex links.</li> </ul> |
| <ifnum>            |         | Enter a number for interface identifier for the DHCP relay agent configuration information to be displayed. This is a unique value that represents the specific interface. This value is a combination of slot number and port number separated by a slash. For example: 0/1 represents that the slot number is 0 and port number is 1                                                                                                                         |

### Mode

Privileged EXEC Mode

### Examples

```
iS5Comm# show ip dhcp relay information
```

```
Context Name: default
```

```

```

```
DHCP Relay : Disabled
```

```
DHCP Relay Servers only : Enabled
```

```
DHCP server : 0.0.0.0

DHCP Relay RAI option : Disabled
Default Circuit Id information : router-index
Debug Level : 0x0

No of Packets inserted RAI option : 0
No of Packets inserted circuit ID sub option : 0
No of Packets inserted remote ID sub option : 0
No of Packets inserted subnet mask sub option : 0
No of Packets dropped : 0
No of Packets which did not inserted RAI option : 0
```

## 24.45. show ip dhcp server

To display the *DHCP* server binding, configuration, information, global *DHCP* option configuration for all *DHCP* server address pools and various *DHCP* server statistics-related, use the command **show ip dhcp server** in Privileged EXEC Mode.

### show ip dhcp server

```
show ip dhcp server
 {binding | information | pools | statistics}
```

## Parameters

| Parameter   | Type | Description                                                                                                                                                                                                                                                                                        |
|-------------|------|----------------------------------------------------------------------------------------------------------------------------------------------------------------------------------------------------------------------------------------------------------------------------------------------------|
| binding     |      | Enter to display the DHCP server binding information. A DHCP binding is created when a DHCP server assigns an IP address to a DHCP client. The information contains the allocated IP address, host hardware type, host hardware address, binding state and expiry time of the allocated DHCP lease |
| information |      | Enter to display the DHCP server configuration information. The information contains status of DHCP server, ICMP echo mechanism, debug level, boot server IP address, boot file name and server offer reuse time.                                                                                  |
| pool        |      | Enter to display the global DHCP option configuration for all DHCP server address pools and configuration information such as utilization threshold, of address pools for which subnet pool is created or host options are configured.                                                             |
| statistics  |      | Enter to display the various DHCP server statistics-related information such as number of DHCPDECLINE messages received, DHCP OFFER messages sent and so on.                                                                                                                                       |

## Mode

Privileged EXEC Mode

## Prerequisites

The DHCP server binding information is displayed, only if the DHCP server is enabled and the DHCP binding is created.

## Examples

```
iS5Comm# show ip dhcp server binding
```

```

Ip Hw Binding Expire
Address Type Address State Time

12.0.0.2 Ethernet 00:02:02:03:04:01 Assigned May 12 13:22:41 2009

```

```
iS5Comm# show ip dhcp server information
```

```

DHCP server status : Enable
Send Ping Packets : Enable
Debug level : All
Server Address Reuse Timeout : 10 secs

```



```

Next Server Address : 12.0.0.1
Boot file name : boot1.img

```

## iS5Comm# show ip dhcp server pools

Global Options

-----

Code : 19, Value : 0

Pool Id : 1

-----

```

Pool Name : pool1
Subnet : 20.0.0.0
Subnet Mask : 255.0.0.0
Lease time : 2147483647 secs
Utilization threshold : 76%
Start Ip : 20.0.0.1
End Ip : 20.0.0.50
Exclude Address Start IP : 20.0.0.1
Exclude Address End IP : 20.0.0.30
Exclude Address Start IP : 20.0.0.20
Exclude Address End IP : 20.0.0.30

```

Subnet Options

-----

```

Code : 1, Value : 255.0.0.0
Code : 3, Value : 10.23.2.99
Code : 6, Value : 12.0.0.1
Code : 15, Value : 12
Code : 19, Value : 0
Code : 43, Value : ven
Code : 46, Value : 8

```

Host Options

-----

| Client Identifier | Hardware type | Code | Value |
|-------------------|---------------|------|-------|
| 00:01:02:03:04:01 | 1             | 67   | abcd  |

## iS5Comm# show ip dhcp server statistics

Address pools : 1

| Message | Received |
|---------|----------|
|---------|----------|

```

DHCPDISCOVER 0
DHCPREQUEST 0
DHCPCDECLINE 0
DHCPRELEASE 0
DHCPINFORM 0
Message Sent

DHCPOFFER 0
DHCPACK 0
DHCPNAK 0

```

## 24.46. show ip dhcp snooping

To display global configuration of *DHCP* snooping and the *DHCP* snooping configuration and statistics of all *VLANs* in which the *DHCP* snooping feature is enabled, use the command **show ip dhcp snooping** in Privileged EXEC Mode.

### show ip dhcp snooping

```

show ip dhcp snooping
[globals] [vlan <vlan-id (1-4094)>]

```

### Parameters

| Parameter          | Type    | Description                                                                                                                                                    |
|--------------------|---------|----------------------------------------------------------------------------------------------------------------------------------------------------------------|
| globals            |         | Enter to display the global configuration of DHCP snooping. The global status of Layer 2 DHCP snooping and MAC verification are displayed.                     |
| vlan               |         | Enter to display L2 DHCP snooping in the specific VLAN. The DHCP snooping module will start the protocol operation when the snooping is enabled globally.      |
| <vlan-id (1-4094)> | Integer | Enter a VLAN ID for the L2 DHCP snooping to be configured. This is a unique value that represents the specific VLAN created. This value ranges from 1 to 4094. |

### Mode

Privileged EXEC Mode

## Prerequisites

The DHCP server binding information is displayed, only if the DHCP server is enabled and the DHCP binding is created.

## Examples

```
iS5Comm# show ip dhcp snooping globals
```

```
DHCP Snooping Global information
```

```

```

```
Switch : default
```

```

```

```
Layer 2 DHCP Snooping is globally disabled
```

```
MAC Address verification is enabled
```

```
iS5Comm# show ip dhcp snooping vlan 2
```

```
DHCP Snooping Vlan information
```

```

```

```
VLAN : 2
Snooping status : Enabled
Number of Incoming Discovers : 0
Number of Incoming Requests : 0
Number of Incoming Releases : 0
Number of Incoming Declines : 0
Number of Incoming Informs : 0
Number of Transmitted Offers : 0
Number of Transmitted Acks : 0
Number of Transmitted Naks : 0
Total Number Of Discards : 0
Number of MAC Discards : 0
Number of Server Discards : 0
Number of Option Discards : 0
```

## 24.47. show dhcp-client module status

The **show dhcp-client module status** command shows the *DHCP* module status. It indicates to the user if the module is enabled or disabled. It also shows the *UDP* port which is in use.

```
show dhcp-client module status
```

```
show dhcp-client module status
```

## Mode

Privileged Execution Mode

## Examples

```
iS5Comm# show dhcp-client module status
```

## 24.48. sip-server

To set the Session Initiation Protocol (*SIP*) server in the host specific *DHCP* server configuration parameters, use the command **sip-server** in Global Configuration Mode. The **no** form of the command deletes the *SIP* server from the host specific *DHCP* server configuration parameters.

### sip-server

```
sip-server {{domain <string> [<string>]} | {ip <ip address> [<ip address>]}}
```

### no sip-server

```
no sip-server
```

## Parameters

| Parameter    | Type | Description                                                                                                                                                                                                                                                              |
|--------------|------|--------------------------------------------------------------------------------------------------------------------------------------------------------------------------------------------------------------------------------------------------------------------------|
| sip-server   |      | Enter to set SIP servers in the host specific DHCP server configuration parameters. SIP stands for Session Initiation Protocol and refers to a TCP/IP-based network protocol which is often used in Voice-over-IP telephony to establish connection for telephone calls. |
| domain       |      | Enter to configure the domain names for the server.                                                                                                                                                                                                                      |
| string       |      | Enter a domain name for the server. The domain name should be specified as ASCII string                                                                                                                                                                                  |
| ip           |      | Enter to set SIP servers in the host specific DHCP server configuration parameters.                                                                                                                                                                                      |
| <ip address> |      | Enter to an unicast IP address for the corresponding SIP servers in the host specific DHCP server configuration.                                                                                                                                                         |

## Mode

Global Configuration Mode

## Examples

```
iS5Comm(config)# ip dhcp pool 1 pool1
iS5Comm (dhcp-config)# sip-server domain str str1
iS5Comm (dhcp-config)# sip-server ip 12.0.0.1 13.0.0.0
```

## 24.49. utilization threshold

To configure the pool utilization threshold value (as percentage) for the corresponding *DHCP* server address pool, use the command **utilization threshold** in *DHCP* Pool Configuration Mode. The `no` form of the command resets the pool utilization threshold value to its default value for the *DHCP* server address pool.

### utilization threshold

```
utilization threshold <integer (0-100)>
```

### no utilization threshold

```
no utilization threshold
```

## Parameters

| Parameter         | Type    | Description                                                                                                            |
|-------------------|---------|------------------------------------------------------------------------------------------------------------------------|
| <integer (0-100)> | Integer | Enter a value for the pool utilization threshold value (as percentage) for the corresponding DHCP server address pool. |

## Mode

DHCP Pool Configuration Mode

## Default

75 percent

## Prerequisites

The pool utilization threshold configuration takes effect only after creating a subnet pool for a DHCP server address pool.

## Examples

```
iS5Comm(config)# ip dhcp pool 1 pool1
```

```
iS5Comm(dhcp-config) # utilization threshold 76
```

## 24.50. vendor-specific

To set the vendor specific information in the pool specific *DHCP* server configuration parameters, use the command **vendor-specific** in *DHCP* Pool Configuration Mode. The no form of the command deletes vendor-specific information from the pool specific *DHCP* server configuration parameters.

### vendor-specific

```
vendor-specific <vendor-specific-string> [<vendor-specific-string>]
```

### no vendor-specific

```
no vendor-specific
```

### Parameters

| Parameter                | Type | Description                                                     |
|--------------------------|------|-----------------------------------------------------------------|
| <vendor-specific-string> |      | Enter to configure vendor-specific details for the DHCP server. |

### Mode

DHCP Pool Configuration Mode

### Examples

```
iS5Comm(config)# ip dhcp pool 1 pool1
```

```
iS5Comm(dhcp-config)# vendor-specific ven
```

# RIP

## 25. RIP

*RIP* (Routing Information Protocol) is a widely used protocol for managing router information within a self-contained network such as a corporate local area network or an interconnected group of such LANs. It is classified by the IETF (Internet Engineering Task Force) as one of several internal gateway protocols.

*RIP* sends routing-update messages at regular intervals and when the network topology changes. When a router receives a routing update that includes changes to an entry, it updates its routing table to reflect the new route. The metric value for the path is increased by 1, and the sender is indicated as the next hop. *RIP* routers maintain only the best route (the route with the lowest metric value) to a destination. After updating its routing table, the router immediately begins transmitting routing updates to inform other network routers about the change. These updates are sent independently of the regularly scheduled updates that *RIP* routers send. *RIP* uses a hop count to determine network distance. Each host with a router in the network uses the routing table information to determine the next host to route a packet for a specified destination.

### 25.1. auto-summary

To enable auto summarization feature in *RIP*, enable or disable the auto summarization of routes in *RIP*, and restore the default behavior of automatic summarization of subnet routes into network-level routes, use the command **auto-summary** in RIP Router Configuration Mode.

#### **auto-summary**

```
auto-summary [enable] [disable]
```

## Parameters

| Parameter | Type | Description                                                                                                                                                                                   |
|-----------|------|-----------------------------------------------------------------------------------------------------------------------------------------------------------------------------------------------|
| enable    |      | Enter to enable auto summarization feature in RIP, so that the summary routes are sent in regular updates for RIP. This is the default.                                                       |
| disable   |      | Enter to disable auto summarization feature in RIP, so that either individual subnet route is sent or subnet routes are sent based on the specific aggregation configured over the interface. |

## Mode

RIP Router Configuration Mode

## Prerequisites

Auto-summarization feature must be disabled to configure interface specific aggregation with RIP version 2.

## Examples

```
iS5Comm(config)# router rip
iS5Comm(config-router)# auto-summary disable
```

## 25.2. debug ip rip

To set the debug level for *RIP* module, use the command **debug ip rip** in Privileged EXEC Mode. The no form of the command resets the debug level for *RIP* module. This command allows combination of debug levels to be configured (that is, more than one level of trace can be enabled or disabled). The debug levels are configured one after the other and not in single execution of the command.

### debug ip rip

```
debug ip rip [{all | buffer | control | data | database | dump | events |
failure | init | mgmt | os | triggers}]
```

### debug ip rip

```
debug ip rip [{all | buffer | control | data | database | dump | events |
failure | init | mgmt | os | triggers}]
```



## Parameters

| Parameter | Type | Description                                                                                                                                                          |
|-----------|------|----------------------------------------------------------------------------------------------------------------------------------------------------------------------|
| all       |      | Enter to generate debug statements for all traces.                                                                                                                   |
| buffer    |      | Enter to generate debug statements for Buffer traces.                                                                                                                |
| control   |      | Enter to generate debug statements for Control Plane traces.                                                                                                         |
| data      |      | Enter to generate debug statements for Data path traces. This trace is generated during failure in packet processing.                                                |
| database  |      | Enter to generate debug statements for database related traces                                                                                                       |
| dump      |      | Enter to generate debug statements for Packet Dump traces.                                                                                                           |
| events    |      | Enter to generate debug statements for Events related traces.                                                                                                        |
| failure   |      | Enter to generate debug statements for All failure messages including Packet Validation.                                                                             |
| init      |      | Enter to generate debug statements for Initialization and Shutdown traces. This trace is generated on failed initialization of RIP related entries. This is default. |
| mgmt      |      | Enter to generate debug statements for Management traces. This trace is generated during failure in configuration of any of the RIP features.                        |
| os        |      | Enter to generate debug statements for OS Resource traces. This trace is generated during failure in message queues.                                                 |
| triggers  |      | Enter to generate debug statements for Triggers related traces.                                                                                                      |

## Mode

Privileged EXEC Mode

## Prerequisites

This command executes only if RIP is enabled.

## Examples

```
iS5Comm# debug ip rip all
```

## 25.3. default-information

To set the metric to be used for default route propagated over the interface, use the command **default-information** in Interface Configuration Mode. The **no** form of the command disables the origination of default route over the interface. The administrative distance can be enabled for one route map only. If distance needs to be enabled for a route map, then distance should be disabled for an already assigned route map. This command is a standardized implementation of the existing command: `ip rip default route originate`. It operates similar to the existing command.

### default-information

```
default-information originate <metric (1-15)> [route-map <string(32)>]
```

### no default-information

```
no default-information originate
```

### Parameters

| Parameter                          | Type    | Description                                                                                                                                      |
|------------------------------------|---------|--------------------------------------------------------------------------------------------------------------------------------------------------|
| <code>originate</code>             |         | Enter to enable default route propagated over the interface. This distance value will not be used for distributing list.                         |
| <code>&lt;metric (1-15)&gt;</code> | Integer | Enter a metric value to be used for default route. This value ranges from 1 to 15.                                                               |
| <code>route-map</code>             |         | Enter to configure the name of the existing route map for which the metric value should be enabled and set.                                      |
| <code>&lt;string(32)&gt;</code>    | Integer | Enter a name of the existing route map for which the metric value should be enabled and set. This value is a string with the maximum size of 32. |

### Mode

Interface Configuration Mode

### Examples

```
iS5Comm(config-if)# default-information originate 10
```

## 25.4. default-metric

To set the default metric values to be used for redistributed routes for *RIP*, use the command **default-metric** in *RIP* Router Configuration Mode. The command is used in conjunction with the redis-

tribute router command to cause the current routing protocol to use the same metric value for all redistributed routes. The no form of the command sets the metric used with redistributed routes to its default value. The metric value given in the no form of the command will be ignored during the execution of the command.

### default-metric

```
default-metric [<value (1-16)>]
```

### no default-metric

```
no default-metric [<short (1-16)>]
```

## Parameters

| Parameter | Type | Description                                                                                                                                                                                                                                                                 |
|-----------|------|-----------------------------------------------------------------------------------------------------------------------------------------------------------------------------------------------------------------------------------------------------------------------------|
| <value>   |      | Enter a route-map value. A default metric helps in solving the problem of redistributing routes with incompatible metrics. The default metric provides a reasonable substitute and enables the redistribution to proceed further. The metric value ranges between 1 and 16. |

## Mode

RIP Router Configuration Mode

## Default

3

## Examples

```
iS5Comm(config)# router rip
```

```
iS5Comm(config-router)# default-metric 1
```

## 25.5. distance

To enable the administrative distance (that is, the metric to reach destination) of the routing protocol and set the administrative distance value, use the command **distance** in RIP Router Configuration Mode. The no form of this command disables the administrative distance.

### distance

```
distance <1-255> [route-map <name (1-20)>]
```

**no distance**

```
no distance [route-map <name (1-20)>]
```

**Parameters**

| Parameter      | Type    | Description                                                                                                                                                                                                                                                                                                                                                                                         |
|----------------|---------|-----------------------------------------------------------------------------------------------------------------------------------------------------------------------------------------------------------------------------------------------------------------------------------------------------------------------------------------------------------------------------------------------------|
| <1-255>        | Integer | Enter a value for the administrative distance. The distance value (i.e. the preference value) ranges between 1 and 255. The default is 121. This distance value will not be used for distribute list. The administrative distance can be enabled for only one route map. The distance should be disabled for the already assigned route map, if distance needs to be enabled for another route map. |
| route-map      |         | Enter to configure the name of the Route Map for which the distance value should be enabled and set                                                                                                                                                                                                                                                                                                 |
| <name (1-20) > |         | Enter a name for the Route Map for which the distance value should be enabled and set. This value is a string with maximum string of 20.                                                                                                                                                                                                                                                            |

**Mode**

RIP Router Configuration Mode

**Default**

121

**Examples**

```
iS5Comm(config)# router rip
```

```
iS5Comm(config-router)# distance 10 route-map rmap-test
```

**25.6. distribute-list**

To enable route map filtering for inbound or outbound routes and define the conditions for distributing the routes from one routing protocol to another, use the command **distribute-list** in RIP Router Configuration Mode. The no form of the command disables route map filtering for inbound or outbound routes.

**distribute-list**

```
distribute-list route-map <name (1-20)> {in | out}
```

**no distribute-list**

```
no distribute-list route-map <name (1-20)> {in | out}
```

**Parameters**

| Parameter     | Type    | Description                                                                                                                                                          |
|---------------|---------|----------------------------------------------------------------------------------------------------------------------------------------------------------------------|
| route-map     |         | Enter to configure a route map filtering for inbound or outbound routes and defines the conditions for distributing the routes from one routing protocol to another. |
| <name (1-20)> | Integer | Enter a name for a route map. This is a string with maximum size of 20.                                                                                              |
| in            |         | Enter to set route map filtering for inbound routes.                                                                                                                 |
| out           |         | Enter to set route map filtering for outbound routes.                                                                                                                |

**Mode**

RIP Router Configuration Mode

**Prerequisites**

Only one route map can be set for inbound or outbound routes. Another route map can be assigned, only if the already assigned route map is disabled.

**Examples**

```
iS5Comm(config)# router rip
iS5Comm(config-router)# distribute-list route-map rmap-test in
```

**25.7. ip rip**

For *RIP*- related configuration, use the command **ip rip** in VLAN Interface Configuration Mode. The no form of this command deletes the RIP related configuration or sets all configured values to default.

**ip rip**

```
ip rip
 {auth-type {md5 | sha-1 | sha-256 | sha-512}
 | authentication {key-chain <key-chain-name (16)>
 | key-id <integer (0-255)> key <key string(16)>
 | mode {md5 [key <key string(16)>] | text [key <key string(16)>]}}
```

```
| default route {install | originate <metric(1-15)>}
| key-id <key-id (0-255)> {start-accept <key> | start-generate <key> |
stop-accept <key> | stop-generate <key>}
| receive version {1 [2] |2 [1] | none}
| send [demand] {version {1 [2] |2 [1] | none}
| summary-address <ip-address> <mask>
}
```

**no ip rip**

```
no ip rip
```

```
{authentication {key-chain <key-chain-name (16)> | key-id <integer (0-255)>
| mode}
| default route {install | originate}
| receive version | send version | summary-address <ip-address> <mask>
}
```

## Parameters

| Parameter              | Type    | Description                                                                                                                                                                                                                                                                                                                                                                                                           |
|------------------------|---------|-----------------------------------------------------------------------------------------------------------------------------------------------------------------------------------------------------------------------------------------------------------------------------------------------------------------------------------------------------------------------------------------------------------------------|
| auth-type              |         | Enter to configure the authentication type.                                                                                                                                                                                                                                                                                                                                                                           |
| md5                    |         | Enter to set the authentication type as keyed message digest 5 (MD5) authentication mechanism. This is the default option.                                                                                                                                                                                                                                                                                            |
| sha-1                  |         | Enter to set the authentication type as Secure Hash Algorithm 1 (SHA1) authentication. SHA1 generates Authentication digest of length 20 bytes.                                                                                                                                                                                                                                                                       |
| sha-256                |         | Enter to set the authentication type as Secure Hash Algorithm 256 (SHA256) authentication. SHA256 generates Authentication digest of length 32 bytes.                                                                                                                                                                                                                                                                 |
| sha-512                |         | Enter to set the authentication type as Secure Hash Algorithm 512 (SHA512) authentication. SHA512 generates Authentication digest with length of 64 bytes.                                                                                                                                                                                                                                                            |
| authentication         |         | Enter to configure the authentication mode and key to be used in RIP packets for VLAN interface / router port.<br><b>NOTE:</b> <ul style="list-style-type: none"> <li>This command executes only if RIP is enabled in the switch.</li> <li>Only the configurations that are done after associating the IP address of the VLAN interface / router port with the RIP routing process, are applied to the RIP</li> </ul> |
| key-chain              |         | Enter to configure the interface RIP version 2 authentication string.                                                                                                                                                                                                                                                                                                                                                 |
| <key-chain string(16)> |         | Enter a value for the interface RIP version 2 authentication string.- a string of size 16.                                                                                                                                                                                                                                                                                                                            |
| key-id                 |         | Enter to configure the authentication key ID and the authentication key as part of crypto key configuration.                                                                                                                                                                                                                                                                                                          |
| <integer (0-255)>      | Integer | Enter a value to configure the active authentication key ID to be used in the interface for sending RIP updates. This value ranges from 0 to 255.                                                                                                                                                                                                                                                                     |
| key                    |         | Enter to configure the authentication key.                                                                                                                                                                                                                                                                                                                                                                            |
| <key string(16)>       |         | Enter a value for the authentication key - a string of size 16. If a string shorter than 16 octets is supplied, it will be left-justified and padded to 16 octets, on the right, with nulls (0x00).This command is a standardized implementation of the existing command "ip rip authentication mode - key-chain". It operates similar to the existing command.                                                       |

| Parameter           | Type    | Description                                                                                                                                                                                                                                                                                                                                                      |
|---------------------|---------|------------------------------------------------------------------------------------------------------------------------------------------------------------------------------------------------------------------------------------------------------------------------------------------------------------------------------------------------------------------|
| mode                | Integer | Enter to configure the authentication mode for RIP version 2. The default is None (No authentication is set)                                                                                                                                                                                                                                                     |
| md5                 |         | Enter to set the authentication type as keyed MD5.                                                                                                                                                                                                                                                                                                               |
| key                 |         | Enter to configure the authentication key as keyed MD5.                                                                                                                                                                                                                                                                                                          |
| <key<br>string(16)> |         | Enter a value for the authentication key - a string of size 16. If a string shorter than 16 octets is supplied, it will be left-justified and padded to 16 octets, on the right, with nulls (0x00). This command is a standardized implementation of the existing command "ip rip authentication mode - key-chain". It operates similar to the existing command. |
| text                |         | Enter to set the authentication type as keyed message digest 5 (MD5) authentication mechanism.                                                                                                                                                                                                                                                                   |
| key                 |         | Enter to configure the authentication key as simple text.                                                                                                                                                                                                                                                                                                        |
| <key<br>string(16)> |         | Enter a value for the authentication key - a string of size 16. If a string shorter than 16 octets is supplied, it will be left-justified and padded to 16 octets, on the right, with nulls (0x00). This command is a standardized implementation of the existing command "ip rip authentication mode - key-chain". It operates similar to the existing command. |
| default             |         | Enter to install the default route received in updates to the RIP database. By default, the default route origination is disabled. Only the configurations that are done after associating the IP address of the VLAN interface / router port with the RIP routing process are applied to the RIP.                                                               |
| route               |         | Enter to install the default route received in updates to the RIP database.                                                                                                                                                                                                                                                                                      |
| install             |         | Enter to install the default route received in updates to the RIP database.                                                                                                                                                                                                                                                                                      |
| originate           |         | Enter to set the metric to be used for default route propagated over the VLAN interface / router port in a RIP update message and generate a default route into RIP.                                                                                                                                                                                             |
| <metric(1-15)>      | Integer | Enter a value for the metric to be used for default route propagated over the VLAN interface / router port in a RIP update message. The metric value ranges between 1 and 15.                                                                                                                                                                                    |



| Parameter           | Type    | Description                                                                                                                                                                                                                                                                                                                                                                                                  |
|---------------------|---------|--------------------------------------------------------------------------------------------------------------------------------------------------------------------------------------------------------------------------------------------------------------------------------------------------------------------------------------------------------------------------------------------------------------|
| key-id              |         | Enter to configure the time as created with the configured key id when the router starts managing the packets.<br><b>NOTE:</b> This command executes only if, <ul style="list-style-type: none"> <li>RIP authentication mode is configured.</li> </ul>                                                                                                                                                       |
| <Key-ID<br>(0-255)> | Integer | Enter a value to configure the active authentication Key ID in the interface. This value ranges from 0 to 255.                                                                                                                                                                                                                                                                                               |
| start-accept        |         | Enter to configure the time when the router will start accepting packets that have been created with the configured key-id.                                                                                                                                                                                                                                                                                  |
| <key>               |         | Enter a value for the time when the router will start accepting packets that have been created with the configured key-id. If the value is not set then the current time (time at which authentication key-id is configured) will be considered as start-accept time.<br><b>NOTE:</b> For example, Tuesday May 26, 1992 at 1:30:15 PM should be entered as, 1992-5-26,13:30:15 (YYYY-MM-DD,hh:mm:ss format). |
| start-generate      |         | Enter to configure the time when the router will start using this key for packet generation.                                                                                                                                                                                                                                                                                                                 |
| <key>               |         | Enter a value for the time when the router will start using this key for packet generation. If the value is not set then the current time (time at which authentication key-id is configured) will be considered as start-accept time.<br><b>NOTE:</b> For example, Tuesday May 26, 1992 at 1:30:15 PM should be entered as, 1992-5-26,13:30:15 (YYYY-MM-DD,hh:mm:ss format).                                |
| stop-generate       |         | Enter to configure the time when the router will stop using the key for packet generation.                                                                                                                                                                                                                                                                                                                   |
| <key>               |         | Enter a value for the time when the router will stop using the key for packet generation. If the value is not set then the current time (time at which authentication key-id is configured) will be considered as start-accept time.<br><b>NOTE:</b> For example, Tuesday May 26, 1992 at 1:30:15 PM should be entered as, 1992-5-26,13:30:15 (YYYY-MM-DD,hh:mm:ss format).                                  |
| stop-accept         |         | Enter to configure the time when the router will stop using the key for packet generation.                                                                                                                                                                                                                                                                                                                   |
| <key>               |         | Enter a value for the time when the router will stop accepting OSPF packets with specified key id. Stop accept value is configured in 24 hours format.<br><b>NOTE:</b> For example, Tuesday May 26, 2013 at 1:30 PM should be configured as, 26-May-2013,13:30                                                                                                                                               |

| Parameter | Type | Description                                                                                                                                                                                                                                                                                                          |
|-----------|------|----------------------------------------------------------------------------------------------------------------------------------------------------------------------------------------------------------------------------------------------------------------------------------------------------------------------|
| receive   |      | Enter to set IP RIP version number for receiving advertisements (that is, version of RIP updates to be received on a VLAN interface / Router port). Only the configurations that are done after associating the IP address of the VLAN interface / router port with the RIP routing process, are applied to the RIP. |
| version   |      | Enter to set IP RIP version number for receiving advertisements (that is, version of RIP updates to be received on a VLAN interface / Router port).                                                                                                                                                                  |
| 1         |      | Enter to set the global version of RIP as 1. This implies that RIP updates are sent/ received in compliance with RFC 1058.                                                                                                                                                                                           |
| 2         |      | Enter to set the global version of RIP as 2. This implies that only multicasting RIP updates are sent/received.                                                                                                                                                                                                      |
| none      |      | Enter to configure that no RIP update is to be received.                                                                                                                                                                                                                                                             |
| send      |      | Enter to set IP RIP version number for transmitting advertisements (that is, version of RIP updates to be sent on a VLAN interface / Router port). Only the configurations that are done after associating the IP address of the VLAN interface / router port with the RIP routing process, are applied to the RIP   |
| demand    |      | Enter to configure the RIP version number for demand trigger updates.                                                                                                                                                                                                                                                |
| version   |      | Enter to configure version number version of RIP updates to be sent.                                                                                                                                                                                                                                                 |
| 1         |      | Enter to configure sending only RIP updates compliant with RFC 1058, on the interface.                                                                                                                                                                                                                               |
| 2         |      | Enter to configure sending only multicasting RIP updates on the interface.                                                                                                                                                                                                                                           |
| none      |      | Enter to configure that no RIP update is to be sent.                                                                                                                                                                                                                                                                 |

| Parameter                       | Type | Description                                                                                                                                                                                                                                                                                                                                                                                                                                                                                                                                                                                                         |
|---------------------------------|------|---------------------------------------------------------------------------------------------------------------------------------------------------------------------------------------------------------------------------------------------------------------------------------------------------------------------------------------------------------------------------------------------------------------------------------------------------------------------------------------------------------------------------------------------------------------------------------------------------------------------|
| <code>summary-address</code>    |      | Enter to set route aggregation over a VLAN interface/router port for all subnet routes that fall under the specified IP address and mask.<br><br><b>NOTE:</b> <ul style="list-style-type: none"> <li>Only the configurations that are done after associating the IP address of the VLAN interface / router port with the RIP routing process, are applied to the RIP.</li> <li>This command should not be used with RIPv1 send version.</li> <li>Auto-summarization overrides interface specific aggregation. Therefore, auto-summarization should be disabled for interface specific route aggregation.</li> </ul> |
| <code>&lt;ip-address&gt;</code> |      | Enter a value for the IP address that is to be combined with the subnet mask to set route aggregation for all subnet routes that fall under the specified IP address and mask of the interface specific aggregation.                                                                                                                                                                                                                                                                                                                                                                                                |
| <code>&lt;mask&gt;</code>       |      | Enter a value for the subnet mask that is to be combined with the IP address to set route aggregation for all subnet routes that fall under the specified mask and IP address of the interface specific aggregation                                                                                                                                                                                                                                                                                                                                                                                                 |

## Mode

VLAN Interface Configuration Mode

## Prerequisites

This command executes only if RIP is enabled in the switch.

## Examples

```
iS5Comm(config)# int vlan 2
```

```
iS5Comm(config-if)# ip rip auth-type md5
```

```
iS5Comm(config-if)# ip rip authentication key-chain abc
```

```
iS5Comm(config-if)# ip rip authentication key-id 0 key key1
```

```
iS5Comm(config-if)# ip rip authentication mode text
```

```
iS5Comm(config-if)# ip rip default route originate 10
```

```
iS5Comm(config-if)# ip rip key-id 0 start-accept 2014-07-22,12:26:30
```

```
iS5Comm(config-if)# ip rip key-id 0 stop-accept 2014-07-22,12:26:30
iS5Comm(config-if)# ip rip key-id 0 start-generate 2014-07-22,12:26:30
iS5Comm(config-if)# ip rip key-id 0 stop-generate 2014-07-22,12:26:30
iS5Comm(config-if)# ip rip receive version 1
iS5Comm(config-if)# ip rip send version 1
iS5Comm(config-if)# ip rip summary-address 12.0.0.0 255.0.0.0
```

## 25.8. ip rip

To configure the security level of the *RIP* in the system to accept / ignore RIPv1 packets when authentication is in use and determine the retransmission timeout interval and number of retries to retransmit the update request packet or an unacknowledged update response packet, use the command **ip rip** in RIP Router Configuration Mode. The **no** form of the command resets the security level, retransmission timeout interval, or the number of retransmission retries to their default values.

### ip rip

```
ip rip
 {retransmission {interval <timeout-value (5-10)> | retries <value (10-40)>}
 | security {minimum | maximum}}
```

### no ip rip

```
no ip rip {retransmit {interval | retries} | security}
```

## Parameters

| Parameter                                 | Type    | Description                                                                                                                                                                                                                                       |
|-------------------------------------------|---------|---------------------------------------------------------------------------------------------------------------------------------------------------------------------------------------------------------------------------------------------------|
| <code>retransmission / retransmit</code>  |         | Enter to configure the security level of the RIP in the system to accept / ignore RIPv1 packets when authentication is in use.                                                                                                                    |
| <code>interval</code>                     |         | Enter to configure the timeout interval to be used to retransmit the update request packet or an unacknowledged update response packet. The packets are transmitted at the specified interval till a response is received or the maximum retries. |
| <code>&lt;timeout-value (5-10)&gt;</code> | Integer | Enter a timeout interval value for retransmitting the update request packet or an unacknowledged update response packet. This value ranges from 5 to 10. The default value is 5.                                                                  |
| <code>retries</code>                      |         | Enter to configure the maximum number of retransmissions of the update request and update response packets.                                                                                                                                       |
| <code>&lt;value (10-40)&gt;</code>        | Integer | Enter a value for the maximum number of retransmissions of the update request and update response packets. This value ranges from 10 to 40. The default value is 36.                                                                              |
| <code>security</code>                     |         | Enter to configure the retransmission timeout interval and number of retries to retransmit the update request packet or an unacknowledged update response packet.                                                                                 |
| <code>minimum</code>                      |         | Enter to configure that RIPv1 packets will be accepted even when authentication is in use.                                                                                                                                                        |
| <code>maximum</code>                      |         | Enter to configure that RIPv1 packets will be ignored when authentication is in use. This is the default option.                                                                                                                                  |

## Mode

RIP Router Configuration Mode

## Examples

```
iS5Comm(config)# router rip
```

```
iS5Comm(config-router)# ip rip retransmission retries 30
```

```
iS5Comm(config-router)# ip rip security minimum
```

## 25.9. ip split-horizon

To enable the split horizon updates for the *RIP*, which prevents the routing loops in distance routing protocol, by prohibiting the router from advertising a route back onto the interface, use the command **ip split-horizon** in VLAN Interface Configuration Mode.

### ip split-horizon

```
ip split-horizon [poisson]
```

### Parameters

| Parameter | Type | Description                                                       |
|-----------|------|-------------------------------------------------------------------|
| poisson   |      | Enter to configure the split horizon with poison reverse enabled. |

### Mode

VLAN Interface Configuration Mode

### Default

Split horizon with poison reverse is enabled.

### Examples

```
iS5Comm(config)# int vlan 2
```

```
iS5Comm(config-if)# ip split-horizon
```

## 25.10. neighbor

To add a trusted neighbor router with which routing information can be exchanged and from which RIP packets can be accepted, use the command **neighbor** in RIP Router Configuration Mode. This command permits the point-to-point (nonbroadcast) exchange of routing information. When used in combination with the `passive-interface vlan`, router configuration command, routing information can be exchanged between a subset of routers and access servers. On a LAN, multiple neighbor commands can be used to specify additional neighbors or peers. The `no` form of the command deletes a trusted neighbor router.

### neighbor

```
neighbor <ip-address>
```

## Parameters

| Parameter    | Type | Description                                           |
|--------------|------|-------------------------------------------------------|
| <ip-address> |      | Enter an Unicast IP address for the trusted neighbor. |

## Mode

RIP Router Configuration

## Examples

```
iS5Comm(config)# router rip
iS5Comm(config-router)# neighbor 10.0.0.5
```

## 25.11. network

To enable *RIP* on a primary IP network or a secondary IP network or an unnumbered *VLAN* interface / router port, use the command **network** in RIP Router Configuration Mode. It configures a list of networks for the *RIP* routing process. *RIP* routing updates will be sent and received only through the specified interfaces on this network. If an interface's network is not specified, then the network will not be advertised in any *RIP* update. This should be configurable for Primary and Secondary IP address. The no form of the command disables *RIP* on a primary IP network or a secondary IP network or an unnumbered *VLAN* interface / router port

### network

```
network <ip-address> [unnum {vlan <vlan-id/vfi-id> [switch <switch name>]}
| <iftype> <ifnum>}]
```

### no network

```
no network <ip-address> [unnum {vlan <vlan-id/vfi-id> [switch <switch name>]}
| <iftype> <ifnum>}]
```

## Parameters

| Parameter          | Type    | Description                                                                                                                                                                                                                                                                                                                                                                                                                                                                                                                                                                                            |
|--------------------|---------|--------------------------------------------------------------------------------------------------------------------------------------------------------------------------------------------------------------------------------------------------------------------------------------------------------------------------------------------------------------------------------------------------------------------------------------------------------------------------------------------------------------------------------------------------------------------------------------------------------|
| <ip-address>       |         | <p>Enter to configure the IP network address of the interface that is to be associated with RIP routing process. This can be either Primary or Secondary IP address.</p> <ul style="list-style-type: none"> <li>The network IP address specified must not contain any subnet information. RIP routing updates will be sent and received only through interfaces on this network.</li> <li>The Primary IP address should be same as that of the existing VLAN interface / router port.</li> <li>The Secondary IP address should be same as that of the existing VLAN interface / router port</li> </ul> |
| unnum              |         | Enter for unnumbered interface to be used.                                                                                                                                                                                                                                                                                                                                                                                                                                                                                                                                                             |
| vlan               |         | Enter to configure the unnumbered VLAN / VFI ID that is to be associated with RIP routing process.                                                                                                                                                                                                                                                                                                                                                                                                                                                                                                     |
| <vlan-id/vfi-id>   | Integer | <p>Enter a VLAN ID for unnumbered VLAN / VFI ID that is to be associated with RIP routing process. This value ranges from 1 to 65535.</p> <ul style="list-style-type: none"> <li>&lt;vlan-id&gt; - VLAN ID is a unique value that represents the specific VLAN. This value ranges from 1 to 4094.</li> <li>&lt;vfi-id&gt; - VFI ID is a VLAN created in the system which contains Pseudo wires and Attachment Circuits as member ports. This creates a logical LAN for the VPLS service. This value ranges from 4096 to 65535.</li> </ul>                                                              |
| switch             |         | Enter to configure the switch context for the unnumbered VLAN ID.                                                                                                                                                                                                                                                                                                                                                                                                                                                                                                                                      |
| <switch-name><br>> |         | Enter a switch name. Currently is default.                                                                                                                                                                                                                                                                                                                                                                                                                                                                                                                                                             |



| Parameter | Type | Description                                                                                                                                                                                                                                                                                                                                                                                                                                                                                                                                                                                                                                                                                                                                                                                                                                                              |
|-----------|------|--------------------------------------------------------------------------------------------------------------------------------------------------------------------------------------------------------------------------------------------------------------------------------------------------------------------------------------------------------------------------------------------------------------------------------------------------------------------------------------------------------------------------------------------------------------------------------------------------------------------------------------------------------------------------------------------------------------------------------------------------------------------------------------------------------------------------------------------------------------------------|
| <iftype>  |      | Enter to configure the type of unnumbered router interface that is to be associated with RIP routing process. The interface can be: <ul style="list-style-type: none"> <li>• fastethernet – Officially referred to as 100BASE-T standard. This is a version of LAN standard architecture that supports data transfer up to 100 Megabits per second.</li> <li>• gigabitethernet – A version of LAN standard architecture that supports data transfer up to 1 Gigabit per second.</li> <li>• extreme-ethernet – A version of Ethernet that supports data transfer up to 10 Gigabits per second. This Ethernet supports only full duplex links.</li> <li>• i-lan / internal-lan – Internal LAN created on a bridge per IEEE 802.1ap.</li> <li>• port-channel – Logical interface that represents an aggregator which contains several ports aggregated together.</li> </ul> |
| <ifnum>   |      | Enter to configure the unnumbered router interface identifier. This is a unique value that represents the specific interface that is to be associated with RIP routing process. This value is a combination of slot number and port number separated by a slash, for interface type other than i-lan and port-channel. For example: 0/1 represents that the slot number is 0 and port number is 1. Only i-lan or port-channel ID is provided, for interface types i-lan and port-channel. For example: 1 represents i-lan or port-channel ID.                                                                                                                                                                                                                                                                                                                            |

## Mode

RIP Router Configuration

## Examples

```
iS5Comm(config-router)# network 12.0.0.1
```

## 25.12. output-delay

To enable interpacket delay for *RIP* updates, where the delay is in milliseconds between packets in a multiple-packet *RIP* update, use the command **output-delay** in RIP Router Configuration Mode. This interpacket delay feature helps in preventing the routing table from losing information due to flow of *RIP* update from a high speed router to low speed router. The no form of the command disables interpacket delay for *RIP* updates.

**output-delay**

```
output-delay <milli-seconds (8-50)>
```

**no output-delay**

```
no output-delay
```

**Parameters**

| Parameter              | Type | Description                                                                                                                                                       |
|------------------------|------|-------------------------------------------------------------------------------------------------------------------------------------------------------------------|
| <milli-seconds (8-50)> |      | Enter a value for the interpacket delay. The delay between packets in a multiple-packet RIP update is in milliseconds and can range between 8 to 50 milliseconds. |

**Mode**

RIP Router Configuration Mode

**Default**

Disabled (Interpacket delay feature is disabled).

**Examples**

```
iS5Comm(config)# router rip
iS5Comm(config-router)# output-delay 10
```

**25.13. passive-interface**

To suppress the *RIP* routing updates on a specified *VLAN* interface in a defined L2 switch context / default context or on a specified router port, use the command **passive-interface** in *RIP* Router Configuration Mode. It denotes that the *RIP* process runs in a passive *VLAN* interface / passive router port. If the sending of routing updates is disabled on an interface, the particular subnet will continue to be advertised to other interfaces, and updates from other routers on that interface continue to be received and processed. The no form of the command restricts suppressing of *RIP* routing updates from an interface.

**passive-interface**

```
passive-interface {vlan <vlan-id/vfi-id> [switch <switch-name>] | <interface-type> <interface-id>}
```

**no passive-interface**

```
no passive-interface {vlan <vlan-id/vfi-id> [switch <switch-name>] | <inter-
face-type> <interface-id>}
```

## Parameters

| Parameter            | Type    | Description                                                                                                                                                                                                                                                                                                                                                                                                                                                                                                                                                                                                                                                                                                                                                                                                                                                                                                                                                                                                                                                                                                                                                                                                                                                                 |
|----------------------|---------|-----------------------------------------------------------------------------------------------------------------------------------------------------------------------------------------------------------------------------------------------------------------------------------------------------------------------------------------------------------------------------------------------------------------------------------------------------------------------------------------------------------------------------------------------------------------------------------------------------------------------------------------------------------------------------------------------------------------------------------------------------------------------------------------------------------------------------------------------------------------------------------------------------------------------------------------------------------------------------------------------------------------------------------------------------------------------------------------------------------------------------------------------------------------------------------------------------------------------------------------------------------------------------|
| vlan                 |         | Enter to configure a specified VLAN/VFI interface as a passive interface on which RIP routing updates are suppressed.                                                                                                                                                                                                                                                                                                                                                                                                                                                                                                                                                                                                                                                                                                                                                                                                                                                                                                                                                                                                                                                                                                                                                       |
| <vlan-id/<br>vfi-id> | Integer | <p>Enter a value for the VLAN ID or VFI-ID for which the passive interface will be configured. This value ranges from 1 to 65535. The options are as follow:</p> <ul style="list-style-type: none"> <li>• &lt;vlan -id&gt; - VLAN ID is a unique value that represents the specific VLAN. This value ranges from 1 to 4094.</li> <li>• &lt;vfi-id&gt;. - VFI ID is a VLAN created in the system which contains Pseudo wires and Attachment Circuits as member ports . This creates a logical LAN for the VPLS service. This value ranges from 4096 to 65535.</li> </ul> <p><b>NOTE:</b> The VLAN ID 4095 is reserved and may be used to indicate a wildcard match for the VID in management operations or Filtering Database entries.</p> <p><b>NOTE:</b> VFI IDs 4096 and 4097 are reserved identifiers used in MPLS PW</p> <p><b>NOTE:</b> The theoretical maximum for the maximum number of VFI is 65535 but the actual number of VFI supported is a sizing constant. Based on this, the maximum number of VFI ID accepted in the management interface is restricted. For example if 100 VFIs are supported, the maximum number of VFI supported will be restricted to maximum number of VLANs + 100. An error message is displayed for any value beyond this range.</p> |
| switch               |         | Enter to configure a switch context for the VLAN interface that is set as passive interface.                                                                                                                                                                                                                                                                                                                                                                                                                                                                                                                                                                                                                                                                                                                                                                                                                                                                                                                                                                                                                                                                                                                                                                                |
| <switch-n<br>ame>    |         | Enter default for switch name.                                                                                                                                                                                                                                                                                                                                                                                                                                                                                                                                                                                                                                                                                                                                                                                                                                                                                                                                                                                                                                                                                                                                                                                                                                              |
| <interfac<br>e-type> |         | <p>Enter interface type to configure the passive interface. The interface types are:</p> <ul style="list-style-type: none"> <li>• gigabitethernet – A version of LAN standard architecture that supports data transfer up to 1 Gigabit per second.</li> <li>• extreme-ethernet – A version of Ethernet that supports data transfer up to 10 Gigabits per second. This Ethernet supports only full duplex links</li> </ul>                                                                                                                                                                                                                                                                                                                                                                                                                                                                                                                                                                                                                                                                                                                                                                                                                                                   |
| <interfac<br>e-id>   |         | Enter a value interface number to configure the specified interface identifier. This is a unique value that represents the specific interface. This value is a combination of slot number and port number separated by a slash. For example, 0/1 represents that the slot number is 0 and port number is 1.                                                                                                                                                                                                                                                                                                                                                                                                                                                                                                                                                                                                                                                                                                                                                                                                                                                                                                                                                                 |

## Mode

RIP Router Configuration Mode

## Prerequisites

This command executes only if RIP is enabled on an IP network.

## Examples

```
iS5Comm(config)# router rip
iS5Comm(config-router)# passive-interface vlan 55
```

## 25.14. redistribute

To enable *RIP* to participate in route redistribution, use the command **redistribute** in *RIP* Router Configuration Mode. When enabled, *RIP* starts advertising the routes learned by other protocols. The no form of the command disables *RIP* to participate in route redistribution. When disabled, *RIP* will stop redistribution of routes but will continue to send updates to the *RTM*.

### redistribute

```
redistribute {all | connected | ospf | static} [route-map <string (1-20)>]
```

### no redistribute

```
no redistribute {all | connected | ospf} [route-map <string (1-20)>]
```

## Parameters

| Parameter      | Type | Description                                                                                                                                                                                                                          |
|----------------|------|--------------------------------------------------------------------------------------------------------------------------------------------------------------------------------------------------------------------------------------|
| all            |      | Enter to specify that all routes have to be imported from the RIP. It redistributes all routes that are learnt into RIP process.                                                                                                     |
| connected      |      | Enter to configure redistribution of directly connected networks routes into OSPF routing process.                                                                                                                                   |
| ospf           |      | Enter to import routes learnt in the OSPF routing process.                                                                                                                                                                           |
| static         |      | Enter to import static routes.                                                                                                                                                                                                       |
| route-map      |      | Enter to identify the specified route-map in the list of route-maps.<br><b>NOTE:</b> Redistribution can be configured for only one route map. Another route map can be assigned, only if the already assigned route map is disabled. |
| <string(1-20)> |      | Enter a name for a route map. This is a string with maximum size of 20.                                                                                                                                                              |

## Mode

RIP Router Configuration Mode

## Default

By default, route redistribution is disabled.

## Examples

### Example 1

```
iS5Comm(config)# router rip
iS5Comm(config-router)# redistribute all
```

### Example 2

```
iS5Comm(config)# router rip
iS5Comm(config-router)# redistribute ospf
iS5Comm(config-router)# redistribute connected
```

**NOTE:** the **redistribute connected** command is required when we want to redistribute OSPF to RIP.

To redistribute OSPF to RIP, we need to redistribute the connected networks. To filter the connected networks to allow only the required ones, perform the following commands:

```
iS5Comm(config)# router rip
iS5Comm(config-router)# redistribute ospf
iS5Comm(config-router)# redistribute connected route-map FILTER
```

### *Example 3: redistribute default route*

SW1:

```
iS5Comm(config)# ip route 0.0.0.0 0.0.0.0 192.168.10.100
iS5Comm(config)# router rip
iS5Comm(config-router)# redistribute static
iS5Comm(config)# interface gigabitethernet 0/1
iS5Comm(config-if)# ip rip default route install
iS5Comm(config-if)# ip rip default route originate 1
```

SW2:

```
iS5Comm(config)# interface gigabitethernet 0/1
iS5Comm(config-if)# ip rip default route install
iS5Comm(config-if)# ip rip default route originate 1
```

```
iS5Comm# show ip route
Vrf Name: default

R 0.0.0.0/0 [121/2] via 192.168.10.100
```

## 25.15. rip

To set the flag to decide whether the last authentication key on expiry should have its lifetime as infinite or not, use the command **rip** in Global Configuration Mode.

**rip**

```
rip authentication last-key infinite lifetime {true | false}
```

## Parameters

| Parameter      | Type | Description                                                                                                                                                                                             |
|----------------|------|---------------------------------------------------------------------------------------------------------------------------------------------------------------------------------------------------------|
| authentication |      | Enter to configure if the last authentication key on expiry should have its lifetime to be infinite or not.                                                                                             |
| last-key       |      | Enter to configure if the last authentication key,                                                                                                                                                      |
| infinite       |      | Enter to configure the last authentication key lifetime to infinite.                                                                                                                                    |
| lifetime       |      | Enter to set the last authentication key lifetime not to be infinite.                                                                                                                                   |
| true           |      | Enter to set the lifetime of last key to be infinite. The last key on expiry resets its lifetime to be infinite and continues to be the key until a new authentication key id is configured.            |
| false          |      | Enter to set the lifetime of last key not to be infinite. After the last key expires, the received RIP updates will be dropped and the routes may tear down. No updates will be sent on that interface. |

## Mode

Global Configuration Mode

## Default

true

## Examples

```
is5Comm(config)# rip authentication last-key infinite lifetime true
```

## 25.16. router rip

To enable *RIP* and enter the Router Configuration mode, use the command **router rip** in Global Configuration Mode. The no form of the command disables *RIP*.

### router rip

```
router rip
```

### no router rip

```
no router rip
```



## Mode

Global Configuration Mode

## Default

Router rip is disabled.

## Examples

```
iS5Comm(config)# router rip
```

```
iS5Comm (config-router)#
```

## 25.17. show ip rip

To display the IP *RIP* database, statistics, authentication, use the **show ip rip** command in Privileged EXEC Mode.

### show ip rip

```
show ip rip {database [<ip-address> <ip-mask>] | statistics | authentication}
```

## Parameters

| Parameter      | Type | Description                                                                                                                                                                                                                          |
|----------------|------|--------------------------------------------------------------------------------------------------------------------------------------------------------------------------------------------------------------------------------------|
| database       |      | Enter for display the RIP protocol database details for all RIP interface entry or for entry with the specified IP address and IP mask.                                                                                              |
| <ip-address>   |      | Enter to specify an IP address to be displayed.                                                                                                                                                                                      |
| <ip-mask>      |      | Enter to specify an IP mask to be displayed.                                                                                                                                                                                         |
| statistics     |      | Enter to display the RIP statistics on the router.                                                                                                                                                                                   |
| authentication |      | Enter to display the authentication related information configured for the RIP Interface entry. The authentication information includes the Authentication type, authentication key IDs configured & its associated lifetime values. |

## Mode

Privileged EXEC Mode

## Examples

### iS5Comm # show ip rip database

```

12.0.0.0/8 [1] auto-summary
12.0.0.0/8 [1] directly connected, vlan1
15.0.0.0/8 [3] auto-summary
15.0.0.0/8 [3] directly connected, vlan2
20.0.0.0/8 [4] auto-summary
20.0.0.0/8 [4] via 12.0.0.2, vlan1
12.0.0.0/8 [1] auto-summary
12.0.0.0/8 [1] directly connected, vlan2

```

### iS5Comm # show ip rip statistics

RIP Global Statistics:

-----

```

Total number of route changes is 1
Total number of queries responded is 1
Total number of dropped packets is 0

```

RIP Interface Statistics:

-----

| Interface  | Periodic | BadRoutes | Triggered | BadPackets | Admin   |          |        |
|------------|----------|-----------|-----------|------------|---------|----------|--------|
| IP Address | Updates  | Sent      | Received  | Updates    | Sent    | Received | Status |
| 12.0.0.1   | 19       | 1         | 2         | 0          | Enabled |          |        |

### iS5Comm# show ip rip authenticatio

RIP Interface Authentication Statistics:

-----

```

Interface Name vlan1
Authentication Type 3
Authentication KeyId in use: 0
Authentication Last key status: false

```

RIP Authentication Key Info:

-----

```

Authentication KeyId 0
Start Accept Time 2013-06-03,17:00:00
Start Generate Time 2013-06-03,17:00:00
Stop Generate Time 2013-06-03,17:00:00
Stop Accept Time 2013-06-03,17:00:00

```

RIP Authentication Key Info:

-----

```

Authentication KeyId 1
Start Accept Time 2013-06-03,16:35:00
Start Generate Time 2013-06-03,16:35:00
Stop Generate Time 2136-02-06,06:28:15
Stop Accept Time 2136-02-06,06:28:15

```

## 25.18. timers basic

To configure update, route age and garbage collection timers for the *VLAN* interface / router port, use the command **timers basic** in Interface Configuration Mode.

### timers basic

```

timers basic <update-interval (10-3600)> <invalid(30-500)> <holddown
(10-3600)> <flush(120-180)> <sleep(10-3600)>

```

### Parameters

| Parameter                  | Type    | Description                                                                                                                                                                                                                        |
|----------------------------|---------|------------------------------------------------------------------------------------------------------------------------------------------------------------------------------------------------------------------------------------|
| <update-interval(10-3600)> | Integer | Enter a value to configure the time interval (in seconds) at which the RIP updates should be sent. This is the fundamental timing parameter of the routing protocol. This value ranges from 10 to 3600 seconds.                    |
| <invalid(30-500)>          | Integer | Enter a value to configure the time (in seconds) after which the route entry is put into garbage collect (that is, marked as invalid). This value ranges from 30 to 500 seconds.                                                   |
| <holddown(10-3600)>        | Integer | Enter a value to configure the time (in seconds) during which the routing information regarding better paths is suppressed. This value ranges from 10 to 3600 seconds.                                                             |
| <flush(120-180)>           | Integer | Enter a value to configure the time (in seconds) after which the route entry marked as invalid is deleted. The advertisements of this entry is set to INFINITY while sending to others. This value ranges from 120 to 180 seconds. |
| <sleep(10-3600)>           | Integer | Enter a value to configure the time interval (in milliseconds) for postponing routing updates in the event of a flash update. This value ranges from 10 to 3600 milliseconds.                                                      |

### Mode

Interface Configuration Mode

## Default

- update-value - 30
- invalid-value - 180
- flush-value - 120

## Examples

```
iS5Comm(config-if)# timers basic 360 300 130 3000 125 3000
```

## 25.19. version

To set the global version of *RIP*, use the command **version** in *RIP* Router Configuration Mode. The command is used in conjunction with the `redistribute router` command to cause the current routing protocol to use the same metric value for all redistributed routes. The `no` form of the command sets the *RIP* global version to its default value. This command is a complete standardized implementation of the existing commands and operates similarly to that of the commands `ip rip send version` and `ip rip receive version`.

### version

```
version {1 [2] |2 [1] | none}
```

### no version

```
no version
```

## Parameters

| Parameter | Type | Description                                                                                                                |
|-----------|------|----------------------------------------------------------------------------------------------------------------------------|
| 1         |      | Enter to set the global version of RIP as 1. This implies that RIP updates are sent/ received in compliance with RFC 1058. |
| 2         |      | Enter to set the global version of RIP as 2. This implies that only multicasting RIP updates are sent/received.            |
| none      |      | Enter to configure that no RIP update is to be received.                                                                   |

## Mode

RIP Router Configuration Mode

## Default

1 and 2

## Prerequisites

Only the configurations that are done after associating the IP address of the VLAN interface / router port with the RIP routing process are applied to the RIP.

## Examples

```
iS5Comm(config)# router rip
```

```
iS5Comm(config-router)# version 1
```

# BGP

## 26. BGP

**BGP (Border Gateway Protocol)** is used to build an AS connectivity graph that is used to prune routing loops and enforce policies at AS level.

The following sections outline all BGP-related CLI commands.

### 26.1. address-family

To facilitate entering of the router in the Address-family Router Configuration Mode and to enable configuration of the session that carries standard vpnv4 address prefixes and enters into VPN Address Family Configuration Mode, use the command **address-family** in *BGP* Router Configuration Mode. Routing information is advertised for IPv4 address family when a *BGP* session is configured, unless the default advertising is reset. The no form of the command deletes the peers belonging to the IPv4, IPv6 and VPNv4 address family.

#### address-family

```
address-family [ipv4 | ipv6 | l2vpn] | vpnv4
```

#### no address-family

```
no address-family [ipv4 | ipv6 | l2vpn] | vpnv4
```

#### Parameters

| Parameter | Type | Description                                                                                                                                      |
|-----------|------|--------------------------------------------------------------------------------------------------------------------------------------------------|
| ipv4      |      | Enter to configure a session that carries standard IPv4 address prefixes.                                                                        |
| ipv6      |      | Enter to configure a session that carries standard IPv6 address prefixes.                                                                        |
| l2vpn     |      | Enter to configure a session that carries L2VPN VPLS address prefixes.                                                                           |
| vpnv4     |      | Enter to enable configuration of the session that carries standard vpnv4 address prefixes and enters into VPN Address Family Configuration Mode. |

#### Mode

BGP Router Configuration Mode

## Notes

BGP4 VPN allows the Service Providers to use their IP backbone to provide VPN services to their customers. BGP is used to distribute VPN routing information across the provider's backbone and MPLS is used to forward VPN traffic from one VPN site to another.

## Examples

```
iS5Comm (config-router)# address-family ipv4
iS5Comm(config-router-af4)#
iS5Comm (config-router)# address-family vpv4
iS5Comm(config-router-afvpv4)#
```

## 26.2. aggregate-address

To create an aggregate entry in a *BGP* or multiprotocol *BGP* routing table if any more-specific *BGP* or multiprotocol *BGP* routes are available that fall in the specified range, use the command **aggregate-address** in *BGP* Router Configuration Mode. The entries in the table specifies the IP address based on which the routing information has to be aggregated. The aggregate route will be advertised as coming from autonomous system. The atomic aggregate attribute will be set only if some of the information in the AS PATH is missing in the aggregated route, else it will not be set. The no form of the command deletes the specified entry from the aggregate table.

### aggregate-address

```
aggregate-address index <1-100> <ip-address> <prefixlen> [summary-only]
[as-set] [suppress-map map-name] [advertise-map map-name] [attribute-map
map-name]
```

### no aggregate-address

```
no aggregate-address index <1-100>
```

## Parameters

| Parameter                                 | Type    | Description                                                                                                                                                                                                                                                                                                                                                                                                                                                                                                                                 |
|-------------------------------------------|---------|---------------------------------------------------------------------------------------------------------------------------------------------------------------------------------------------------------------------------------------------------------------------------------------------------------------------------------------------------------------------------------------------------------------------------------------------------------------------------------------------------------------------------------------------|
| <code>index</code>                        |         | Enter to configure the entry containing information about the IP address on which the aggregation has to be done..                                                                                                                                                                                                                                                                                                                                                                                                                          |
| <code>&lt;1-100&gt;</code>                | Integer | Enter a value for the entry containing information about the IP address on which the aggregation has to be done                                                                                                                                                                                                                                                                                                                                                                                                                             |
| <code>&lt;ip-address&gt;</code>           |         | Enter to configure the route prefix in the Network Layer Reachability Information on which aggregate policy needs to be applied.                                                                                                                                                                                                                                                                                                                                                                                                            |
| <code>&lt;prefixlen&gt;</code>            |         | Enter to configure the number of high-order bits in the IP address. These bits are common among all hosts within a network. This value ranges from 0 to 32 for IPv4 address and between 0 and 128 for IPv6 Address.                                                                                                                                                                                                                                                                                                                         |
| <code>[summary-only]</code>               |         | Enter to specify that aggregated (summarized) route alone will be sent to the peers. If this is not specified , both the summary and the more-specific routes based on which the summary entry was generated are be advertised to the peers                                                                                                                                                                                                                                                                                                 |
| <code>[as-set]</code>                     |         | Enter to generate autonomous system set path information.                                                                                                                                                                                                                                                                                                                                                                                                                                                                                   |
| <code>[suppress-map<br/>map-name]</code>  |         | Enter to specify the name of the route map used to select the routes to be suppressed. The route map contains the rules for suppressing the more-specific routes in forming the aggregate route. When suppress-map configuration is used along with summary only option, summary-only configuration command doesn't have any effect. And the more-specific routes that the suppress-map suppresses are not advertised. Other routes are advertised in addition to the aggregated route. This value is a string with a maximum length of 20. |
| <code>[advertise-map<br/>map-name]</code> | Integer | Enter to specify the name of the route map used to select for forming aggregate routes. The route map contains the rules for selecting specific routes for aggregation Other routes are advertised. When advertise-map is used, only advertise-map influences the creation of aggregate entry. In absence of advertise-map, the aggregate route inherits the attributes of the more specific routes, both suppressed and unsuppressed.This value is a string with a maximum length of 20.                                                   |



| Parameter                | Type | Description                                                                                                                                                                                                                                                                                                                                                                                                                                                                   |
|--------------------------|------|-------------------------------------------------------------------------------------------------------------------------------------------------------------------------------------------------------------------------------------------------------------------------------------------------------------------------------------------------------------------------------------------------------------------------------------------------------------------------------|
| [attribute-map map-name] |      | Enter to specify the name of the route map used to form the attribute of the aggregate route. The route map contains the rules for setting the attributes for the aggregated route. When attribute-map and advertise-map along with autonomous system set path information are enabled and other configurations, the attribute-map overrides the attribute that is formed with the routes selected by the advertise-map.. This value is a string with a maximum length of 200 |

## Mode

BGP Router Configuration Mode

## Notes

The IP address and the prefix length can be configured, only if the Aggregate admin status of the BGP is down.

## Examples

```
iS5Comm(config-router)# aggregate-address index 1 21.1.0.0 16 summary-only
```

## 26.3. bgp

For *BGP*-related configuration, use the command **bgp** in *BGP* Router Configuration Mode. For options, see the Parameters section below.

### bgp

```
bgp
```

```
{always-compare-med
| asnotation dot
| bestpath med dot
| client-to-client reflection
| cluster-id <cluster id value> <ip_addr(A.B.C.D)>
| comm-filter <comm-value(4294967041-4294967043,65536-4294901759)> <permit
| deny> <in | out>
| comm-policy <ip-address> <prefixlen> <set-add | set-none | modify>
```

```

| comm-route {additive | delete} <ip-address> <prefixlen> comm-value
<4294967041-4294967043,65536-4294901759>
| confederation {identifier <AS no> | peers <AS no>}
| dampening <HalfLife-Time(600-2700)> <Reuse-Value(100-10800)>
<Suppress-Value(2000-3999)> <Max-Suppress-Time(1800-10800)>
| default {ipv4-unicast | local-preference <Local Pref Value
(0-2147483647)>}
| ecomm-filter <ecomm-value(xx:xx:xx:xx:xx:xx:xx:xx)> <permit | deny> <in |
out>
| ecomm-policy <ip-address> <prefixlen> <set-add | set-none | modify>
| ecomm-route {additive | delete} <ip-address> <prefixlen> ecomm-value
<value(xx:xx:xx:xx:xx:xx:xx:xx)>
| graceful-restart [restart-time <(1-4096)<seconds>] [stalepath-time
<(90-3600)<seconds>]
| local-preference <1-100> remote-as <AS no> <ip-address | ip6-address>
<prefixlen> [intermediate-as <AS-no list- AS1,AS2,...AS10>] value <value>
direction {in | out} [override]
| med <1-100> remote-as <AS no> <ip-address> <prefixlen> [intermediate-as
<AS-no list- AS1,AS2,...AS10>] value <value> direction {in | out} [override]
| nonbgproute-advt <external |both>
| redistribute-internal
| router-id A.B.C.D(<ucast_addr>)
| trap <external |both>
| update-delay <(60-1800)seconds>
| update-filter <1-100> <permit | deny> remote-as <AS no> <ip-address>
<prefixlen> [intermediate-as <AS-no list- AS1,AS2,...AS10>] direction {in |
out}

```

**no bgp**

```

no bgp
{always-compare-med
| asnotation dot
| client-to-client reflection | cluster-id <cluster id value>
<ip_addr(A.B.C.D)>
| comm-filter <comm-value(4294967041-4294967043,65536-4294901759)> <permit
| deny> <in | out>
| comm-policy <ip-address> <prefixlen>

```

```
| comm-route {additive | delete} <ip-address> <prefixlen> comm-value
<4294967041-4294967043,65536-4294901759>
| confederation {identifier | peers <AS no>}
| dampening
| default {ipv4-unicast | local-preference
| ecomm-filter <ecomm-value(xx:xx:xx:xx:xx:xx:xx:xx)> <permit | deny> <in |
out>
| ecomm-policy <ip-address> <prefixlen> | ecomm-route
| graceful-restart [restart-time] [stalepath-time]
| local-preference <1-100> | med <1-100> | nonbgproute-adv
| redistribute-internal | router-id | update-delay
| update-filter <1-100>
```

## Parameters

| Parameter                                | Type | Description                                                                                                                                                                                                                                                                                                                                                                                                                                                                                                                                                                                                                                                                                        |
|------------------------------------------|------|----------------------------------------------------------------------------------------------------------------------------------------------------------------------------------------------------------------------------------------------------------------------------------------------------------------------------------------------------------------------------------------------------------------------------------------------------------------------------------------------------------------------------------------------------------------------------------------------------------------------------------------------------------------------------------------------------|
| <code>always-compare-med</code>          |      | Enter to enable the comparison of Multi Exit Discriminator (MED) for routes received from different AS. The MED is one of the parameters that is considered when selecting the best path among many alternative paths. The path with a lower MED is preferred over a path with a higher MED. The no form of the command disables the comparison of MED for routes received from different autonomous system. MED will be compared only for routes from same neighbor autonomous system                                                                                                                                                                                                             |
| <code>asnotation dot</code>              |      | Enter to change the output format of BGP ASNs (Autonomous System numbers) from asplain to asdot notation. The no form of the command resets the output format of BGP ASNs from asdot to asplain notation. By default, the output format of BGP ASNs is asplain. Note that BGP asnotation can be changed only if four-byte-ASN is enabled.                                                                                                                                                                                                                                                                                                                                                          |
| <code>bestpath med confed</code>         |      | Enter to enable Multi Exit Discriminator (MED) comparison among paths learnt from confederation peers. The comparison between MEDs is only made if there are no external autonomous systems in the path. If there is an external autonomous system in the path, then the external MED is passed transparently through the confederation, and the comparison is not made. The no form of the command disables MED comparison among paths learnt from confed peers and prevent the software from considering the MED attribute in comparing paths. As default, in BGP route selection algorithm, MED attributes comparison between two routes originated within the local confederation is disabled. |
| <code>client-to-client reflection</code> |      | Enter to configure the Route Reflector to support route reflection to Client Peers. By default, the clients of a route reflector are not required to be fully meshed and the routes from a client are reflected to other clients. If the clients are fully meshed, route reflection is not required. The no form of the command disables client-to-client reflection. If disabled, then Route Reflector will not advertise routes learnt from a client peer to other client peers. This occurs when all peers within a cluster are fully-meshed and the client peer itself is able to advertise routes to other clients of the route-reflector                                                     |

| Parameter                                                         | Type | Description                                                                                                                                                                                                                                                                                                                                                                                                                                                                                                                                                                                                                                         |
|-------------------------------------------------------------------|------|-----------------------------------------------------------------------------------------------------------------------------------------------------------------------------------------------------------------------------------------------------------------------------------------------------------------------------------------------------------------------------------------------------------------------------------------------------------------------------------------------------------------------------------------------------------------------------------------------------------------------------------------------------|
| <code>cluster-id</code>                                           |      | Enter to configure the Cluster ID for the Router Reflector of the BGP cluster which has more than one route reflector. Usually in a cluster of clients with single route reflector the cluster is identified by the router ID of the route reflector. In order to increase redundancy and avoid a single point of failure, a cluster might have more than one route reflector. In this case, all route reflectors in the cluster must be configured with the 4-byte cluster ID so that a route reflector can recognize updates from route reflectors in the same cluster. The no form of the command resets the Cluster ID for the Route Reflector. |
| <code>cluster id value</code>                                     |      | Enter a value for the Cluster ID. It ranges from 1 to 4294967295.                                                                                                                                                                                                                                                                                                                                                                                                                                                                                                                                                                                   |
| <code>ip_address/integer</code>                                   |      | Enter a value for the Cluster ID.                                                                                                                                                                                                                                                                                                                                                                                                                                                                                                                                                                                                                   |
| <code>comm-filter</code>                                          |      | Enter to allow/ filter the community attribute while receiving or advertising. The rules to filter out the updates are based on the AS from which it is received, NLRI and AS through which it had passed. The no form of the command removes the filter policy for the community attribute.                                                                                                                                                                                                                                                                                                                                                        |
| <code>comm-value (4294967041-4294967043, 65536-4294901759)</code> |      | Enter to configure the community attribute value.                                                                                                                                                                                                                                                                                                                                                                                                                                                                                                                                                                                                   |
| <code>deny</code>                                                 |      | Enter to filter routes containing the community attribute value in received or advertised updates.                                                                                                                                                                                                                                                                                                                                                                                                                                                                                                                                                  |
| <code>permit</code>                                               |      | Enter to allow a particular community attribute to be received or advertised in updates. This is the default option.                                                                                                                                                                                                                                                                                                                                                                                                                                                                                                                                |
| <code>in</code>                                                   |      | Enter to configure the direction of route-updates on which the community filter policy needs to be applied as in. This indicates that the community filter needs to be applied on received routes.                                                                                                                                                                                                                                                                                                                                                                                                                                                  |
| <code>out</code>                                                  |      | Enter to configure the direction of route-updates on which the community filter policy needs to be applied as out. This indicates that the community filter needs to be applied on routes advertised to peers.                                                                                                                                                                                                                                                                                                                                                                                                                                      |
| <code>comm-policy</code>                                          |      | Enter to configure the community attribute advertisement policy for specific destination. The no form of the command removes the community attribute advertisement policy for specific destination.                                                                                                                                                                                                                                                                                                                                                                                                                                                 |
| <code>&lt;ip-address&gt;</code>                                   |      | Enter to configure the route prefix on which community policy needs to be applied.                                                                                                                                                                                                                                                                                                                                                                                                                                                                                                                                                                  |

| Parameter                                               | Type | Description                                                                                                                                                                     |
|---------------------------------------------------------|------|---------------------------------------------------------------------------------------------------------------------------------------------------------------------------------|
| <prefixlen>                                             |      | Enter to configure the IP prefix length for the destination. These bits are common among all hosts within a network. This value ranges from 1 to 32.                            |
| set-add                                                 |      | Enter to send only the configured additive communities with associated route.                                                                                                   |
| set-none                                                |      | Enter to send the associated route without any communities.                                                                                                                     |
| modify                                                  |      | Enter to remove the associated route with received delete communities and to add the configured additive communities.                                                           |
| comm-route                                              |      | Enter to configure an entry in additive or delete community table for a given destination. The no form of the command removes the entry from additive or delete community table |
| additive                                                |      | Enter to add an associated community value with the already existing communities in the route update.                                                                           |
| delete                                                  |      | Enter to remove the community attribute from the route-prefix when it passes through the filter process.                                                                        |
| <ip-address>                                            |      | Enter to configure the Route prefix on which community policy needs to be applied.                                                                                              |
| <prefixlen>                                             |      | Enter to configure the IP prefix length for the destination. These bits are common among all hosts within a network. This value ranges from 1 to 32.                            |
| comm-value<br><4294967041-4294967043, 65536-4294901759> |      | Enter to configure the community attribute value. This value ranges from 4294967041 to 4294967043 or from 65536 to 4294901759.                                                  |
| confederation                                           |      | Enter to configure the BGP confederation to which the AS belong to.                                                                                                             |

| Parameter                  | Type | Description                                                                                                                                                                                                                                                                                                                                                                                                                                                                                                                                                                                                                                                                                                                                                                                                                                                     |
|----------------------------|------|-----------------------------------------------------------------------------------------------------------------------------------------------------------------------------------------------------------------------------------------------------------------------------------------------------------------------------------------------------------------------------------------------------------------------------------------------------------------------------------------------------------------------------------------------------------------------------------------------------------------------------------------------------------------------------------------------------------------------------------------------------------------------------------------------------------------------------------------------------------------|
| identifier <AS no>         |      | <p>Enter to configure the BGP confederation identifier for the confederation to which the autonomous systems belong to. This value ranges from 1 to 4294967295 or 0.1 to 65535.65535. The no form of the command removes the configured BGP confederation identifier and resets the identifier to its default value.</p> <p><b>NOTE:</b> If this value is already configured to a non-zero value, it must be reset to zero (using no form of the command) before reconfiguring.</p> <p><b>NOTE:</b> When four-bit-asn is enabled, This value ranges from 1 to 4294967295 or between 0.1 and 65535.65535.</p> <p><b>NOTE:</b> When four-bit-asn is disabled, This value ranges from 1 to 65535. or between 0.1 and 0.65535</p> <p><b>NOTE:</b> When bgp asnotation is enabled, the AS number of the BGP Speaker is displayed in the range 0.1 to 65535.65535</p> |
| peers <AS no>              |      | <p>Enter to configure the ASs that are visible internally to a confederation. Each autonomous system is fully meshed within itself. This value ranges from 1 to 4294967295 or 0.1 to 65535.65535. By default, no AS will be added to the confederation. The no form of the command removes the Autonomous Systems from the confederation.</p> <p><b>NOTE:</b> When four-bit-asn is enabled, This value ranges from 1 to 4294967295 or between 0.1 and 65535.65535.</p> <p><b>NOTE:</b> When four-bit-asn is disabled, This value ranges from 1 to 65535. or between 0.1 and 0.65535</p> <p><b>NOTE:</b> When bgp asnotation is enabled, the AS number of the BGP Speaker is displayed in the range 0.1 to 65535.65535</p>                                                                                                                                       |
| dampening                  |      | <p>Enter to enable the <i>BGP</i> dampening parameters. The no form of the command disables the <i>BGP</i> dampening feature but does not reset the other configured <i>RFD</i> parameters</p>                                                                                                                                                                                                                                                                                                                                                                                                                                                                                                                                                                                                                                                                  |
| <HalfLife-Time (600-2700)> |      | <p>Enter to configure the time (in seconds) after which a penalty is decreased by half. Once a route has been assigned a penalty, the penalty is decreased for every 5 seconds. BGP's route flap damping algorithm calculates penalty for each routes. This penalty increases by a fixed value when a flap occurs, and decreases exponentially when the route is stable. This value ranges from 600 to 270.</p>                                                                                                                                                                                                                                                                                                                                                                                                                                                 |

| Parameter                                         | Type | Description                                                                                                                                                                                                                                                                                                  |
|---------------------------------------------------|------|--------------------------------------------------------------------------------------------------------------------------------------------------------------------------------------------------------------------------------------------------------------------------------------------------------------|
| <Reuse Value<br>(100-10800)>                      |      | Enter to configure the reuse value. If the penalty for a flapping route falls below this value, the route is re-used. The unsuppressing of routes occurs at 10-second increments. This value ranges from 100 to 10800.<br><b>NOTE:</b> Reuse value can be configured only if the HalfLife Time value is set. |
| <Suppress Value<br>(2000-3999)>                   |      | Enter to configure the suppress value. The route is suppressed if the penalty associated with the route exceeds this value. This value ranges from 2000 to 3999.<br><b>NOTE:</b> Suppress value can be configured only if the HalfLife Time and Reuse value are set.                                         |
| <Max-Suppress Time<br>(1800-10800)                |      | Enter to configure the maximum time (in seconds) a route can be suppressed. This value ranges from 1800 to 10800.<br><b>NOTE:</b> Max-Suppress Time can be configured only if the HalfLife Time, Reuse Value and Suppress Value are set.                                                                     |
| default                                           |      | Enter for BGP default information configuration.                                                                                                                                                                                                                                                             |
| ipv4-unicast                                      |      | Enter for IPv4 unicast feature configuration for default routing.                                                                                                                                                                                                                                            |
| local-preference                                  |      | Enter to configure the default local preference value that is to be sent in updates to internal peers. The preference is sent to all routers and access servers in the local autonomous system. The no form of the command resets the default local preference to its default value.                         |
| <Local Pref Value>                                |      | Enter a default local preference value that is to be sent in updates to internal peers. This value ranges from 0 to 2147483647.                                                                                                                                                                              |
| ecomm-filter                                      |      | Enter to allow/ filter the extended community attribute while receiving or advertising. The no form of the command removes the filter policy for the extended community attribute.                                                                                                                           |
| <ecomm-value(x<br>x:xx:xx:xx:xx:xx:<br>xx:xx:xx)> |      | Enter to configure the extended community value. This is an octet string value in the form xx:xx:xx:xx:xx:xx:xx:xx.                                                                                                                                                                                          |
| deny                                              |      | Enter to deny the route-update with the associated extended community value to pass the filter test. This is the default option.                                                                                                                                                                             |
| permit                                            |      | Enter to allow the route -update with the associated extended community value to pass the filter test.                                                                                                                                                                                                       |
| in                                                |      | Enter to configure the incoming direction of applied filter.                                                                                                                                                                                                                                                 |
| out                                               |      | Enter to configure the outgoing direction of applied filter.                                                                                                                                                                                                                                                 |



| Parameter                                                                                                         | Type | Description                                                                                                                                                                                                 |
|-------------------------------------------------------------------------------------------------------------------|------|-------------------------------------------------------------------------------------------------------------------------------------------------------------------------------------------------------------|
| <code>ecomm-policy</code>                                                                                         |      | Enter to configure the Extendedcommunity attribute advertisement policy for specific destination. The no form of the command removes the community attribute advertisement policy for specific destination. |
| <code>&lt;ip-address&gt;</code>                                                                                   |      | Enter to configure the route prefix on which extended community policy needs to be applied.                                                                                                                 |
| <code>&lt;prefixlen&gt;</code>                                                                                    |      | Enter to configure the IP prefix length for the destination. These bits are common among all hosts within a network. This value ranges from 1 to 32.                                                        |
| <code>set-add</code>                                                                                              |      | Enter to send only the configured additive extended communities with associated route.                                                                                                                      |
| <code>set-none</code>                                                                                             |      | Enter to send the associated route without any extended communities.                                                                                                                                        |
| <code>modify</code>                                                                                               |      | Enter to remove the associated route with received delete communities and to add the configured additive extended communities.                                                                              |
| <code>ecomm-route</code>                                                                                          |      | Enter to configure an entry in additive or delete extended community table for a given destination. The no form of the command removes the entry from additive or delete community table.                   |
| <code>additive</code>                                                                                             |      | Enter to add an associated community value with the already existing communities in the route update.                                                                                                       |
| <code>delete</code>                                                                                               |      | Enter to remove the community attribute from the route-prefix when it passes through the filter process.                                                                                                    |
| <code>&lt;ip-address&gt;</code>                                                                                   |      | Enter to configure the Route prefix on which community policy needs to be applied.                                                                                                                          |
| <code>&lt;prefixlen&gt;</code>                                                                                    |      | Enter to configure the IP prefix length for the destination. These bits are common among all hosts within a network. This value ranges from 1 to 32.                                                        |
| <code>comm-value</code><br><code>&lt;value (xx:xx:xx</code><br><code>:xx:xx:xx:xx:xx</code><br><code>)&gt;</code> |      | Enter to configure the community attribute value. This value ranges from 4294967041 to 4294967043 or from 65536 to 4294901759.                                                                              |

| Parameter                                     | Type | Description                                                                                                                                                                                                                                                                                                                                                                                                                                                                              |
|-----------------------------------------------|------|------------------------------------------------------------------------------------------------------------------------------------------------------------------------------------------------------------------------------------------------------------------------------------------------------------------------------------------------------------------------------------------------------------------------------------------------------------------------------------------|
| <code>graceful-restart</code>                 |      | Enter to enable graceful restart capability in router which allows forwarding of data packets to continue along known routes, while the routing protocol information is being restored following a processor switch over. When graceful restart is enabled, peer networking devices are informed, through protocol extensions prior to the event. The no form of the command disables the graceful restart capability and resets the restart-time or stalepath-time to the default value |
| <code>restart-time</code>                     |      | Enter to configure the estimated time (in seconds) taken for re-establishing a BGP session after restart. The default value for this should be less than or equal to Hold Time carried in open message.                                                                                                                                                                                                                                                                                  |
| <code>&lt;(1-4096)&lt;seconds&gt;&gt;</code>  |      | Enter a value for the restart time—it ranges from 1 to 4096 seconds.                                                                                                                                                                                                                                                                                                                                                                                                                     |
| <code>stalepath-time</code>                   |      | Enter to configure the time (in seconds) until which the router retains the stale routes.                                                                                                                                                                                                                                                                                                                                                                                                |
| <code>&lt;(90-3600)&lt;seconds&gt;&gt;</code> |      | Enter a value for the stalepath time—it ranges from 90 to 3600 seconds.                                                                                                                                                                                                                                                                                                                                                                                                                  |
| <code>local-preference</code>                 |      | Enter to configure an entry in the local preference table. This table contains the value that is to be assigned to the local preference attribute. The defaults are as follows: <ul style="list-style-type: none"> <li>• remote-as - 0</li> <li>• direction - in</li> <li>• value - 100</li> <li>• ip-address - 0.0.0.0</li> <li>• prefixlen - 0</li> </ul>                                                                                                                              |
| <code>&lt;1-100&gt;</code>                    |      | Enter a value for the local preference index—it ranges from from 1 to 100.                                                                                                                                                                                                                                                                                                                                                                                                               |

| Parameter                                  | Type | Description                                                                                                                                                                                                                                                                                                                                                                                                                                                                                                                                                                                                                                                                                                                                                                                                                          |
|--------------------------------------------|------|--------------------------------------------------------------------------------------------------------------------------------------------------------------------------------------------------------------------------------------------------------------------------------------------------------------------------------------------------------------------------------------------------------------------------------------------------------------------------------------------------------------------------------------------------------------------------------------------------------------------------------------------------------------------------------------------------------------------------------------------------------------------------------------------------------------------------------------|
| remote-as <AS no>                          |      | <p>Enter to configure the remote Autonomous system number for which the local preference is associated. This value ranges from 1 to 4294967295 or 0.1 to 65535.65535. The no form of the command removes the configured BGP confederation identifier and resets the identifier to its default value.</p> <p><b>NOTE:</b> When four-bit-asn is enabled, This value ranges from 1 to 4294967295 or between 0.1 and 65535.65535.</p> <p><b>NOTE:</b> When four-bit-asn is disabled, This value ranges from 1 to 65535. or between 0.1 and 0.65535</p> <p><b>NOTE:</b> When bgp asnotation is enabled, the AS number of the BGP Speaker is displayed in the range 0.1 to 65535.6553.</p> <p>A value of zero indicates that this entry is not valid and will not be matched for when the Local Pref value for an update is calculated</p> |
| <ip-address>                               |      | Enter to configure the route prefix in the Network Layer Reachability Information on which local-preference policy needs to be applied. The input route ip address can be an ipv4 or an ipv6 address.                                                                                                                                                                                                                                                                                                                                                                                                                                                                                                                                                                                                                                |
| <prefixlen>                                |      | Enter to configure the number of high-order bits in the IP address. These bits are common among all hosts within a network. This value ranges from 0 to 32 for ipv4 address and 0 to 128 for ipv6 address. A value of zero indicates that the entry is not valid and will not be matched for when the Local Pref value for an update is calculated.                                                                                                                                                                                                                                                                                                                                                                                                                                                                                  |
| intermediate-as <AS-no list-AS1, AS2, ...> |      | Enter to configure the sequence of intermediate AS numbers through which the route update is expected to travel or a Comma separated list of AS numbers that are to be checked against the AS_PATH attribute of the updates. This value is a list with the maximum size as 100.                                                                                                                                                                                                                                                                                                                                                                                                                                                                                                                                                      |
| value <value>                              |      | Enter to configure the local-preference value that needs to be associated with the route-update. This value ranges from 0 to 2147483647.                                                                                                                                                                                                                                                                                                                                                                                                                                                                                                                                                                                                                                                                                             |
| direction                                  |      | Enter to specify the direction of the application of local-preference policy with which the entry is to be associated.                                                                                                                                                                                                                                                                                                                                                                                                                                                                                                                                                                                                                                                                                                               |
| in                                         |      | Enter to indicate a received route-update with other matching attributes such as as-number, intermediate-as numbers.                                                                                                                                                                                                                                                                                                                                                                                                                                                                                                                                                                                                                                                                                                                 |
| out                                        |      | Enter to indicate a route-update that needs to be advertised to peer.                                                                                                                                                                                                                                                                                                                                                                                                                                                                                                                                                                                                                                                                                                                                                                |
| override                                   |      | Enter to configure an entry in the local preference table. This table contains the value that is to be assigned to the local preference attribute.                                                                                                                                                                                                                                                                                                                                                                                                                                                                                                                                                                                                                                                                                   |

| Parameter         | Type | Description                                                                                                                                                                                                                                                                                                                                                                                                                                                                                                                                                                                                                                                                                                                                                                                                                                                                           |
|-------------------|------|---------------------------------------------------------------------------------------------------------------------------------------------------------------------------------------------------------------------------------------------------------------------------------------------------------------------------------------------------------------------------------------------------------------------------------------------------------------------------------------------------------------------------------------------------------------------------------------------------------------------------------------------------------------------------------------------------------------------------------------------------------------------------------------------------------------------------------------------------------------------------------------|
| med               |      | <p>Enter to configure an entry in BGP4 MED Table and contains the MED values that are to be assigned to routes. The no form of the command deletes the entry from MED Table, BGP4 MED table. The entry will not be matched when the MED value for an update is calculated, if the prefix length is set as zero. The defaults are as follows:</p> <ul style="list-style-type: none"> <li>• remote-as - 0</li> <li>• prefixlen - 0</li> <li>• direction - in</li> <li>• value - 0</li> </ul>                                                                                                                                                                                                                                                                                                                                                                                            |
| <1-100>           |      | <p>Enter a value for the entry containing information about the MED value—it ranges from 1 to 100.</p>                                                                                                                                                                                                                                                                                                                                                                                                                                                                                                                                                                                                                                                                                                                                                                                |
| remote-as <AS no> |      | <p>Enter to configure the remote Autonomous system number that identifies the BGP router to other routers and tags the routing information passed along. This value ranges from 1 to 4294967295 or 0.1 to 65535.65535. The no form of the command removes the configured BGP confederation identifier and resets the identifier to its default value.</p> <p><b>NOTE:</b> When four-bit-asn is enabled, This value ranges from 1 to 4294967295 or between 0.1 and 65535.65535.</p> <p><b>NOTE:</b> When four-bit-asn is disabled, This value ranges from 1 to 65535. or between 0.1 and 0.65535</p> <p><b>NOTE:</b> When bgp asnotation is enabled, the AS number of the BGP Speaker is displayed in the range 0.1 to 65535.6553.</p> <p>A value of zero indicates that this entry is not valid and will not be matched for when the Local Pref value for an update is calculated</p> |
| <ip-address>      |      | <p>Enter to configure the route-prefix IPv4 and IPv6 on which MED policy needs to be applied.</p>                                                                                                                                                                                                                                                                                                                                                                                                                                                                                                                                                                                                                                                                                                                                                                                     |
| <prefixlen>       |      | <p>Enter to configure the number of high-order bits in the IP address. This is the length of the IP address prefix in the Network Layer Reachability Information (NLRI) field. These bits are common among all hosts within a network. This value ranges from 0 to 32 for ipv4 address and 0 to 128 for ipv6 address. A value of zero indicates that this entry is not valid and will not be matched for when the MED value for an update is calculated.</p>                                                                                                                                                                                                                                                                                                                                                                                                                          |

| Parameter                                                   | Type | Description                                                                                                                                                                                                                                                                                                                                                                                          |
|-------------------------------------------------------------|------|------------------------------------------------------------------------------------------------------------------------------------------------------------------------------------------------------------------------------------------------------------------------------------------------------------------------------------------------------------------------------------------------------|
| <code>intermediate-as &lt;AS-no list-AS1,AS2,...&gt;</code> |      | Enter to configure the sequence of intermediate AS numbers through which the route update is expected to travel or a Comma separated list of AS numbers that are to be checked against the AS_PATH attribute of the updates. This value is a list with the maximum size as 100.                                                                                                                      |
| <code>value &lt;value&gt;</code>                            |      | Enter to configure the value assigned to the MED attribute for the route present in NLRI. This value ranges from 0 to 2147483647.                                                                                                                                                                                                                                                                    |
| <code>direction</code>                                      |      | Enter to specify the direction of application of MED policy.                                                                                                                                                                                                                                                                                                                                         |
| <code>in</code>                                             |      | Enter to indicate a received route-update with other matching attributes such as as-number, intermediate-as numbers.                                                                                                                                                                                                                                                                                 |
| <code>out</code>                                            |      | Enter to indicate a route-update that needs to be advertised to peer.                                                                                                                                                                                                                                                                                                                                |
| <code>override</code>                                       |      | Enter to decide whether the configured MED value will override the received MED value.                                                                                                                                                                                                                                                                                                               |
| <code>nonbgproute-adv</code>                                |      | Enter to configure the peer type to whom non-bgp routes can be propagated and controls the advertisement of Non-BGP routes either to the external peer or both to internal and external peer. The no form of the command resets the Non BGP routes advertisement policy to its default value. The Administrator can effectively control the advertisement of the route learnt through Redistribution |
| <code>external</code>                                       |      | Enter to indicate that the non-BGP routes can be exported only to external peers. All types of non-bgp routes can be propagated to external peers.                                                                                                                                                                                                                                                   |
| <code>both</code>                                           |      | Enter to indicate that the non-BGP routes can be propagated to both internal and external peers. This is the default option.                                                                                                                                                                                                                                                                         |
| <code>redistribute-internal</code>                          |      | Enter to enable IBGP routes to be redistributed to other IGP protocols. The no form of the command disables IBGP routes to be redistributed to other IGP protocols. By default, IBGP route redistribution is disabled.                                                                                                                                                                               |

| Parameter                 | Type | Description                                                                                                                                                                                                                                                                                                                                                                                                                                                                                                                                                                                                                                                                                                                                               |
|---------------------------|------|-----------------------------------------------------------------------------------------------------------------------------------------------------------------------------------------------------------------------------------------------------------------------------------------------------------------------------------------------------------------------------------------------------------------------------------------------------------------------------------------------------------------------------------------------------------------------------------------------------------------------------------------------------------------------------------------------------------------------------------------------------------|
| router-id                 |      | Enter to configure fixed BGP router identifier for a BGP-speaking router. If loopback interface exists, the router ID is set to the highest address for loopback interface otherwise it is set to the highest ip configured on the ip interfaces. Peering sessions will be reset if the router ID is changed. BGP router id is a unique number associated with the BGP speaker. This router-id is advertised to other peers and identifies the BGP speaker uniquely. Administrator can set the router-id of BGP to any value. If router-id is changed, then all active peer sessions will go DOWN and will be re-started with the new configured router-id. The no form of the command resets the BGP Identifier of the BGP Speaker to its default value. |
| A.B.C.D<br>(<ucast_addr>) |      | Enter an unicast IP address representing BGP identifier. As default, The highest interface address is used as the router id                                                                                                                                                                                                                                                                                                                                                                                                                                                                                                                                                                                                                               |
| trap                      |      | Enter to enable or disable the BGP trap notification.                                                                                                                                                                                                                                                                                                                                                                                                                                                                                                                                                                                                                                                                                                     |
| enable                    |      | Enter to enable the trap notification for the BGP system. When there is any change in the graceful restart state of the router or peer, the BGP system sends the notification messages to the SNMP manager. For every graceful restart, appropriate trace messages is generated. This is the default option.                                                                                                                                                                                                                                                                                                                                                                                                                                              |
| disable                   |      | Enter to disable the trap notification for the BGP system and not send the notification messages to the SNMP manager.                                                                                                                                                                                                                                                                                                                                                                                                                                                                                                                                                                                                                                     |
| update-delay              |      | Enter to configure the selection deferral time interval. This time interval represents the time (in seconds) until which the router defers its route selection. This time interval should be configured to provide enough time for all peers of the restarting speaker to send all routes to the restarting speaker. The no form of the command resets the time interval to its default value.                                                                                                                                                                                                                                                                                                                                                            |
| <(60-1800) seconds>       |      | Enter a value for the deferral time interval. This value ranges from 60 to 1800 seconds with a default of 60 seconds.                                                                                                                                                                                                                                                                                                                                                                                                                                                                                                                                                                                                                                     |
| update-filter             |      | <p>Enter to configure an entry in Update Filter Table which contains rules to filter out updates based on the AS from which it is received, Network Layer Reachability Information (NLRI) and AS through which it had passed. The no form of the command deletes the entry from Update Filter Table. The defaults are as follows:</p> <ul style="list-style-type: none"> <li>• remote-as - 0</li> <li>• direction - in</li> <li>• ip-address - 0.0.0.0</li> <li>• prefixlen - 0</li> </ul>                                                                                                                                                                                                                                                                |

| Parameter                                | Type | Description                                                                                                                                                                                                                                                                                                                                                                                                                                                                                                                                                                                                                                                                                                                                                                                                                                                                           |
|------------------------------------------|------|---------------------------------------------------------------------------------------------------------------------------------------------------------------------------------------------------------------------------------------------------------------------------------------------------------------------------------------------------------------------------------------------------------------------------------------------------------------------------------------------------------------------------------------------------------------------------------------------------------------------------------------------------------------------------------------------------------------------------------------------------------------------------------------------------------------------------------------------------------------------------------------|
| <1-100>                                  |      | Enter a value for the entry containing information about the updates that are to be filtered—it ranges from 1 to 100.                                                                                                                                                                                                                                                                                                                                                                                                                                                                                                                                                                                                                                                                                                                                                                 |
| deny                                     |      | Enter to filter the routes when passing through filter policy test.                                                                                                                                                                                                                                                                                                                                                                                                                                                                                                                                                                                                                                                                                                                                                                                                                   |
| permit                                   |      | Enter to allow the route to pass filter policy test.                                                                                                                                                                                                                                                                                                                                                                                                                                                                                                                                                                                                                                                                                                                                                                                                                                  |
| remote-as <AS no>                        |      | <p>Enter to configure the remote Autonomous system number that identifies the BGP router to other routers and tags the routing information passed along. This value ranges from 1 to 4294967295 or 0.1 to 65535.65535. The no form of the command removes the configured BGP confederation identifier and resets the identifier to its default value.</p> <p><b>NOTE:</b> When four-bit-asn is enabled, This value ranges from 1 to 4294967295 or between 0.1 and 65535.65535.</p> <p><b>NOTE:</b> When four-bit-asn is disabled, This value ranges from 1 to 65535. or between 0.1 and 0.65535</p> <p><b>NOTE:</b> When bgp asnotation is enabled, the AS number of the BGP Speaker is displayed in the range 0.1 to 65535.6553.</p> <p>A value of zero indicates that this entry is not valid and will not be matched for when the Local Pref value for an update is calculated</p> |
| <ip-address>                             |      | Enter to configure the route prefix IPv4 and IPv6 in the Network Layer Reachability Information on which the filter policy needs to be applied.                                                                                                                                                                                                                                                                                                                                                                                                                                                                                                                                                                                                                                                                                                                                       |
| <prefixlen>                              |      | Enter to configure the number of high-order bits in the IP address. These bits are common among all hosts within a network. This value ranges from 0 to 32.                                                                                                                                                                                                                                                                                                                                                                                                                                                                                                                                                                                                                                                                                                                           |
| intermediate-as <AS-no list-AS1,AS2,...> |      | Enter to configure the sequence of intermediate AS numbers through which the route update is expected to travel or a Comma separated list of AS numbers that are to be checked against the AS_PATH attribute of the updates. This value is a list with the maximum size as 100.                                                                                                                                                                                                                                                                                                                                                                                                                                                                                                                                                                                                       |
| direction                                |      | Enter to specify the direction of the application of filters with which the entry is to be associated.                                                                                                                                                                                                                                                                                                                                                                                                                                                                                                                                                                                                                                                                                                                                                                                |
| in                                       |      | Enter to indicate a received route-update with other matching attributes such as as-number, intermediate-as numbers.                                                                                                                                                                                                                                                                                                                                                                                                                                                                                                                                                                                                                                                                                                                                                                  |
| out                                      |      | Enter to indicate a route-update that needs to be advertised to a peer.                                                                                                                                                                                                                                                                                                                                                                                                                                                                                                                                                                                                                                                                                                                                                                                                               |

## Mode

BGP Router Configuration Mode

## Examples

```
iS5Comm (config-router)# always-compare-med
iS5Comm (config-router)# bgp asnotation dot
iS5Comm (config-router)# bgp client-to-client reflection
iS5Comm (config-router)# bgp bestpath med confed
iS5Comm (config-router)# bgp cluster-id 10.0.0.1
iS5Comm (config-router)# bgp comm-filter 75100 deny in
iS5Comm (config-router)# bgp comm-policy 24.5.0.0 10 set-none
iS5Comm (config-router)# bgp comm-route additive 24.5.0.0 16 comm-value 429490
iS5Comm (config-router)# bgp confederation identifier 1000
iS5Comm (config-router)# bgp confederation peers 100
iS5Comm (config-router)# bgp dampening 1000 300 2000 5000
iS5Comm (config-router)# bgp ecomm-filter 01:01:22:33:23:43:44:22 deny in
iS5Comm (config-router)# bgp comm-policy 24.5.0.0 10 set-none
iS5Comm (config-router)# bgp ecomm-route additive 12.0.0.0 2 ecomm-value 01:01:22:33:44:55:66:77
iS5Comm (config-router)# bgp graceful-restart restart-time 33 stalepath 789
iS5Comm (config-router)# bgp local-preference 5 remote-as 200 21.3.0.0 16 intermediate-as 150 value
250 direction out override
iS5Comm (config-router)# bgp med 5 remote-as 200 212.23.45.0 24 intermediate-as 150 value 50 direc-
tion in override
iS5Comm (config-router)# bgp nonbgproute-advt both
iS5Comm (config-router)# bgp redistribute-internal
iS5Comm (config-router)# bgp router-id 10.0.0.1
iS5Comm (config-router)# bgp trap enable
iS5Comm (config-router)# bgp update-delay 90
iS5Comm (config-router)# bgp update-filter 6 deny remote-as 145 72.93.0.0 14 intermediate-as 150
direction in
```



## 26.4. clear ip bgp

To clear the *BGP* inbound and outbound route policy, use the command **clear ip bgp** in Privileged EXEC Mode. The inbound routing tables are updated dynamically or by generating new updates using stored update information. If the keyword *soft* and the associated direction are not specified, then this causes hard clear, that is, the *BGP* session with peer is reset.

### clear ip bgp

```
clear ip bgp
```

```
{dampening [<random_str> <num_str>] | flap-statistics [<random_str>
<num_str>] | {* | <AS no> | external | ipv4 | ipv6| <random_str> } [soft
[{{in [prefix-filter] |out}}]]}
```

## Parameters

| Parameter     | Type | Description                                                                                                                                                                                                                                                                                                                                                                                                                                                                     |
|---------------|------|---------------------------------------------------------------------------------------------------------------------------------------------------------------------------------------------------------------------------------------------------------------------------------------------------------------------------------------------------------------------------------------------------------------------------------------------------------------------------------|
| dampening     |      | Enter to clear the dampening related configuration for the BGP.                                                                                                                                                                                                                                                                                                                                                                                                                 |
| <random_str>  |      | Enter to clear the dampening information for the specified ipv4/ipv6 address.                                                                                                                                                                                                                                                                                                                                                                                                   |
| <num_str>     |      | Enter to specify the prefix length of the route. This value ranges from 0 to 128.                                                                                                                                                                                                                                                                                                                                                                                               |
| *             |      | Enter to reset all BGP peers.                                                                                                                                                                                                                                                                                                                                                                                                                                                   |
| <AS no>       |      | Enter to clear peers with the specified AS number. This value ranges from 1 to 4294967295 or 0.1 to 65535.65535.<br><b>NOTE:</b> When four-bit-asn is enabled, This value ranges from 1 to 4294967295 or between 0.1 and 65535.65535<br><b>NOTE:</b> When four-bit-asn is disabled, This value ranges from 1 to 65535 or between 0.0 and 0.65535<br><b>NOTE:</b> When bgp asnotation is enabled, the AS number of the BGP Speaker is displayed in the range 0.1 to 65535.65535. |
| external      |      | Enter to clear all external peers.                                                                                                                                                                                                                                                                                                                                                                                                                                              |
| ipv4          |      | Enter to reset the bgp connection dynamically for all ipv4 address family peers.                                                                                                                                                                                                                                                                                                                                                                                                |
| ipv6          |      | Enter to reset the bgp connection dynamically for all ipv6 address family peers                                                                                                                                                                                                                                                                                                                                                                                                 |
| soft          |      | Enter to configure the Soft clear which is automatically assumed when the route refresh capability is supported                                                                                                                                                                                                                                                                                                                                                                 |
| in            |      | Enter to initiate inbound soft reconfiguration which causes the software to store all received updates without modification regardless of whether an update is accepted by the inbound policy                                                                                                                                                                                                                                                                                   |
| prefix-filter |      | Enter to push out prefix-list ORF and initiates inbound soft reconfiguration.                                                                                                                                                                                                                                                                                                                                                                                                   |
| out           |      | Enter to initiate outbound soft configuration which does not have any memory overhead and does not require any preconfiguration. An outbound reconfiguration can be triggered on the other side of the BGP session to make the new inbound policy take effect.                                                                                                                                                                                                                  |

## Mode

Privileged EXEC Mode

## Examples

```
iS5Comm# clear ip bgp dampening 12.0.0.1 0
```

## 26.5. debug ip bgp

To enable the tracing of the *BGP* module as per the configured debug levels, use the command **debug ip bgp** in Privileged EXEC Mode. The trace statements are generated for the configured trace levels. The no form of the command disables the tracing of the *BGP* module as per the configured debug levels. The trace statements are not generated for the configured trace levels. The no form of the command disables the tracing of the *BGP* module as per the configured debug levels. The trace statements are not generated for the configured trace levels.

### debug ip bgp

```
debug ip bgp
```

```
[{peer | update | fdb | keep [prefix-filter] | in | out | damp | events |
gr | vpls}] [{all | ipv4 unicast | ipv6 unicast | <random_str>}]
```

### no debug ip bgp

```
no debug ip bgp
```

```
[peer | update | fdb | keep [prefix-filter] | in | out | damp | events | gr
| vpls | all]
```

## Parameters

Enter a parameter to generate a debug statement for the trace code related to the specified parameter.

## Mode

Privileged EXEC Mode

## Examples

```
iS5Comm# debug ip bgp peer
```

## 26.6. default-information

To enable and control redistribution of default routes of a protocol or network into the *BGP* and advertisement of the default route (0.0.0.0/0), use the command **default-information** in Global Configuration Mode. The default route advertisement is possible only if the default route is present in the IP FDB or it is received from any peers. The no form of the command disables redistribution and advertisement of the default route. The default routes are not redistributed into BGP.

**default-information**

```
default-information originate
```

**no default-information**

```
no default-information originate
```

**Parameters**

| Parameter | Type | Description                                                                                                                                            |
|-----------|------|--------------------------------------------------------------------------------------------------------------------------------------------------------|
| originate |      | Enter to enable and control redistribution of default routes of a protocol or network into the BGP and advertisement of the default route (0.0.0.0/0). |

**Mode**

Global Configuration Mode

**Default**

Default Information Originate is disabled.

**Examples**

```
iS5Comm(config)# default-information originate
```

**26.7. default-metric**

To configure the default IGP metric value for routes redistributed into BGP with the redistribute command, use the command **default-metric** in *BGP* Router Configuration Mode. A default metric can be configured to solve the problem of redistributing routes with incompatible metrics. Assigning the default metric will allow redistribution to occur. The no form of the command resets the Default IGP Metric value to its default value 0. If configured to 0, the metric received from the IGP route will be used. If configured to any other value, the MED value of the redistributed routes take this value. This value has no effect on the Direct routes.

**default-metric**

```
default-metric <Default Metric Value(1-2147483647)>
```

**no default-metric**

```
no default-metric
```

```
<Default Metric Value(1-2147483647)>
```

## Parameters

| Parameter                             | Type    | Description                                                                             |
|---------------------------------------|---------|-----------------------------------------------------------------------------------------|
| <Default Metric Value (1-2147483647)> | integEr | Enter a value for the default IGP metric value. This value ranges from 1 to 2147483647. |

## Mode

BGP Router Configuration Mode

## Default

0

## Examples

```
iS5Comm(config-router)# default-metric 300
```

## 26.8. distance

To configure the administrative distance value which is used as a preference parameter in IP for best route selection, use the command **distance** in *BGP* Router Configuration Mode. Distance can be set for only one route map. Another route map can be assigned, only if the already assigned route map is disabled. The no form of the command disables the administrative distance.

### distance

```
distance <1-255> [route-map <name (1-20)>]
```

### no distance

```
no distance [route-map <name (1-20)>]
```

### If Routemap is disabled

```
distance <1-255>
```

```
no distance
```

## Parameters

| Parameter      | Type    | Description                                                                                          |
|----------------|---------|------------------------------------------------------------------------------------------------------|
| <1-255>        | Integer | Enter a value for the administrative distance—it ranges from 1 to 255.                               |
| route-map      |         | Enter to configure the name of the route map for which the distance value should be enabled and set. |
| <name (1-20) > |         | Enter a name for the route map —a string with the maximum size as 20.                                |

## Mode

BGP Router Configuration Mode

## Examples

```
iS5Comm (config-router)# distance 10 route-map rmap-test
```

## 26.9. distribute-list

To enable route map filtering for inbound or outbound routes and define the conditions for distributing the routes from one routing protocol to another, use the command **distribute-list** in *BGP* Router Configuration Mode. Only one route map can be set for inbound or outbound routes. Another route map can be assigned, only if the already assigned route map is disabled. The no form of the command disables inbound filtering for the routes.

### distribute-list

```
distribute-list route-map <name(1-20)> {in | out}
```

### no distribute-list

```
no distribute-list
```

## Parameters

| Parameter     | Type | Description                                                                                                              |
|---------------|------|--------------------------------------------------------------------------------------------------------------------------|
| route-map     |      | Enter to enable route map filtering for inbound or outbound routes.                                                      |
| <name (1-20)> |      | Enter to specify the name of the route map to be used for filtering. This value is a string with the maximum size as 20. |
| in            |      | Enter to set filtering for inbound routes.                                                                               |
| out           |      | Enter to set filtering for outbound routes.                                                                              |

## Mode

BGP Router Configuration Mode

## Examples

```
iS5Comm (config-router)# distribute-list route-map rmap-test in
```

## 26.10. do shutdown ip bgp

To set the *BGP* Speaker Global Admin status down, use the command **do shutdown ip bgp** in Global Configuration Mode. The shutdown command does not affect all configurations. All peer sessions go down and routes learnt through redistribution are lost. If RFD is enabled, then routes history is cleared. The *BGP* Speaker Global Admin status can be made UP only if the *BGP* Speaker Local AS Number is configured. As default, the *BGP* Speaker Global Admin status is down. The no form of the command sets the *BGP* Speaker Global Admin status UP. *BGP* functionally is active only when the global admin status is UP.

### do shutdown ip bgp

```
do shutdown ip bgp
```

### no shutdown ip bgp

```
no shutdown ip bgp
```

## Mode

Global Configuration Mode

## Examples

```
iS5Comm# do shutdown ip bgp
```

## 26.11. ip bgp

To enable 4-byte *ASN* support in *BGP* speaker, configure the *BGP* speaker's policy for handling the overlapping routes, and enable synchronization between *BGP* and *IGP*, use the command **ip bgp** in Global Configuration Mode. The **no** form of the command disables 4-byte *ASN* support in *BGP*, resets Overlap route policy to its default values, and disables the synchronization between *BGP* and *IGP*.

### **ip bgp**

```
ip bgp
 {four-byte-asn | overlap-policy {more-specific | less-specific | both}
 |synchronization}
```

### **no ip bgp**

```
no ip bgp {four-byte-asn | overlap-policy |synchronization}
```



## Parameters

| Parameter                    | Type | Description                                                                                                                                                                                                                                                                                                                                                                                                                                                       |
|------------------------------|------|-------------------------------------------------------------------------------------------------------------------------------------------------------------------------------------------------------------------------------------------------------------------------------------------------------------------------------------------------------------------------------------------------------------------------------------------------------------------|
| <code>four-byte-as</code>    |      | Enter to enable 4-byte <i>ASN</i> support in <i>BGP</i> speaker.<br><b>NOTE:</b> This command executes only when <i>BGP</i> Speaker Global Admin status is shut down in the system.                                                                                                                                                                                                                                                                               |
| <code>overlap-policy</code>  |      | Enter to configure the <i>BGP</i> speaker's policy for handling the overlapping routes.<br><b>NOTE:</b> This command executes only if <i>BGP</i> Speaker Local AS number is configured and <i>BGP</i> Administrative status is down.                                                                                                                                                                                                                              |
| <code>more-specific</code>   |      | Enter to configure the overlap policy for <i>BGP</i> speaker as more-specific. This implies that when an overlapping route is received, more-specific routes are installed in the <i>RIB</i> tree.                                                                                                                                                                                                                                                                |
| <code>less-specific</code>   |      | Enter to configure the overlap policy for <i>BGP</i> speaker as less-specific. This implies that when an overlapping route is received, less-specific routes are installed in the <i>RIB</i> tree.                                                                                                                                                                                                                                                                |
| <code>both</code>            |      | Enter to configure the overlap policy for <i>BGP</i> speaker as both. This implies that when an overlapping route is received, both the more-specific and less-specific routes are installed in the <i>RIB</i> tree. This is default.                                                                                                                                                                                                                             |
| <code>synchronization</code> |      | Enter to enable synchronization between <i>BGP</i> and <i>IGP</i> . <i>BGP</i> speaker does not advertise a route to an external neighbor unless that route is local or exists in the <i>IGP</i> . This command allows routers and access servers within an autonomous system to have the route before <i>BGP</i> makes it available to other autonomous systems.<br><b>NOTE:</b> This command executes only if <i>BGP</i> Speaker local AS number is configured. |

## Mode

Global Configuration Mode

## Default

4-byte *ASN* support —enabled

`overlap-policy`—both

Synchronization between *BGP* and *IGP* is disabled

## Examples

```
iS5Comm(config)# ip bgp four-byte-asn
iS5Comm(config)# ip bgp overlap-policy more-specific
iS5Comm(config)# ip bgp synchronization
```

## 26.12. label-allocation-mode

To configure the label allocation policy used for allocating the *VPN* label to be used for advertising the *VPN* routes, use the command **label-allocation-mode** in *BGP* Router Configuration Mode.

### label-allocation-mode

```
label-allocation-mode {per-route}
```

### Parameters

| Parameter | Type    | Description                                                                                                                 |
|-----------|---------|-----------------------------------------------------------------------------------------------------------------------------|
| per-route | Integer | Enter to configure label allocation policy as per route to advertise all routes learnt in the router with the unique label. |

### Mode

BGP Router Configuration Mode

### Examples

```
iS5Comm (config-router)# label-allocation-mode per-route
```

## 26.13. maximum-paths

To set the *BGP* multipath count, use the command **maximum-paths** in *BGP* Router Configuration Mode. This is the maximum number *BGP* multipath routes to be added per destination network in the routing table. Note that this configuration is effective only after hard/soft reset. The no form of the command resets the *bgp* multipath count to its default value.

### maximum-paths

```
maximum-paths [{ibgp |eibgp}] <maximum path>
```

### no maximum-paths

```
no maximum-paths [{ibgp |eibgp}]
```

## Parameters

| Parameter      | Type    | Description                                                                                                                                                                                                                                                                                                                   |
|----------------|---------|-------------------------------------------------------------------------------------------------------------------------------------------------------------------------------------------------------------------------------------------------------------------------------------------------------------------------------|
| ibgp           | Integer | Enter to set the maximum number of internal bgp multipath routes to be added per destination network in the routing table.                                                                                                                                                                                                    |
| eibgp          |         | Enter to set the maximum number of external plus internal BGP multipath routes (with same AS PATH) to be added per destination network in Routing table.                                                                                                                                                                      |
| <maximum path> |         | Enter to configure the maximum path count for the specified IBGP/EIBGP. This value ranges from 1 to 64.<br><b>NOTE:</b> If this is set to 1, only the best route is added to the forwarding table<br><b>NOTE:</b> If the command is executed without the parameter ibgp/eibgp, the maximum path count is configured for ebgp. |

## Default

1

## Note

If the no command is executed without the parameter ibgp/eibgp, the maximum path count is set to the default value 1 only for ebgp.

## Mode

BGP Router Configuration Mode

## Examples

```
iS5Comm (config-router)# maximum-paths eibgp 1
iS5Comm (config-router-af4)# maximum-paths ibgp 1
```

## 26.14. neighbor

To configure neighbor information, use the command **neighbor** in *BGP* Router Configuration Mode. The no form of the commands is also available for the most of the parameters.

### neighbor

```
neighbor {<ip-address | ip6-address>
```

```

gateway {<ip-address | ip6-address>
| network-address {<ip-address | ip6-address>
| password password-string
| peer-group {<ip-address | ip6-address>
| tcp-ao {mkt <Key ID (0-255)> | icmp-accept}
| update-source {<ip-address | ip6-address>}
| {<ip-address | ip6-address | peer-group-name>
allow-autostop
| as-override
| capability {ipv4-unicast | ipv6-unicast | route-refresh | orf prefix-list
{send | receive | both}}
| connect-retry-count <value(1-50)> | damp-peer-oscillations |
default-originate | delay-open
| ebgp-multihop [ttl <(1-255)>]
| fall-over bfd
| local-as <AS no>
| maximum-prefix <prefix-limit (1-2147483647)> | next-hop-self
| remote-as <AS no> [allow-autostart [idlehold-time <seconds(1-65535)>]]
| route-reflector-client
| send-community {both | standard | extended}
| shutdown
| timers {keepalive <(1-21845) seconds> | holdtime <(3-65535)seconds>
|delayopentime <(0-65535)seconds>}
| transport connection-mode <active | passive>
| {route-map <name(1-20)> | prefix-list <iprefixlist_name(1-20)>} {in |
out}
| {advertisement-interval <seconds(1-65535)> | as-origination-interval
<seconds(1-65535)> | connect-retry-interval <seconds(1-65535)>}
| hold-advertised-routes
| peer-group

```

**no neighbor**

```
no neighbor
```

## Parameters

| Parameter         | Type | Description                                                                                                                                                                                                                                                                                                                                                                                                                                                                                                                                                                                                                                                        |
|-------------------|------|--------------------------------------------------------------------------------------------------------------------------------------------------------------------------------------------------------------------------------------------------------------------------------------------------------------------------------------------------------------------------------------------------------------------------------------------------------------------------------------------------------------------------------------------------------------------------------------------------------------------------------------------------------------------|
| <ip-address>      |      | Enter the BGP peer's IP address for which the configuration is performed.                                                                                                                                                                                                                                                                                                                                                                                                                                                                                                                                                                                          |
| <ip6-address>     |      | Enter to configure the BGP peer's IPv6 address for which the configuration is performed.                                                                                                                                                                                                                                                                                                                                                                                                                                                                                                                                                                           |
| gateway           |      | Enter to configure gateway router's address that will be used as nexthop in the routes advertised to the peer. This ensures that the traffic coming from this peer is routed through the gateway configured. The no form of the command resets the configured gateway router's address. Note that this command executes only if Peer is created and Peer AS is configured                                                                                                                                                                                                                                                                                          |
| network-address   |      | Enter to configure peer's remote IPv6 network address for IPv4 peer and peer's remote IPv4 network address for IPv6 peer. The peer's network address carries the IPv6 network address if the peer's remote-address is an IPv4 address. The peer's network address carries the IPv4 network address if the peer's remote-address is an IPv6 address. The no form of the command resets network-address configured for the peer.<br><b>NOTE:</b> This command executes only if Peer is created and Peer AS is configured. The peer's remote network address can be configured only after configuring the peer's remote address and the corresponding local interface |
| password          |      | Enter to enables Message Digest 5 (MD5) authentication on a TCP connection between two BGP peers where each segment sent on the TCP connection between the peers is verified. The MD5 authentication must be configured with the same password on both BGP peers; else, the connection between them will not be made. This command executes only if Peer is created. The no form of the command resets the TCP-MD5 password set for the peer. By default, the MD5 password setting is disabled.                                                                                                                                                                    |
| password-string   |      | Enter a TCP MD5 Authentication Password that has to be sent with all TCP packets originated from the peer. This value is a string with the maximum size as 80.                                                                                                                                                                                                                                                                                                                                                                                                                                                                                                     |
| peer-group        |      | Enter to create a peer group with the specified peer group name.                                                                                                                                                                                                                                                                                                                                                                                                                                                                                                                                                                                                   |
| <peer-group-name> |      | Enter a peer group name - a string with the maximum size as 20.                                                                                                                                                                                                                                                                                                                                                                                                                                                                                                                                                                                                    |
| tcp-ao            |      | Enter for TCP-AO related configuration.                                                                                                                                                                                                                                                                                                                                                                                                                                                                                                                                                                                                                            |

| Parameter       | Type | Description                                                                                                                                                                                                                                                                                                                                                                                                     |
|-----------------|------|-----------------------------------------------------------------------------------------------------------------------------------------------------------------------------------------------------------------------------------------------------------------------------------------------------------------------------------------------------------------------------------------------------------------|
| mkt             |      | Enter for configure the Key ID of the MKT which needs to be associated with the peer.                                                                                                                                                                                                                                                                                                                           |
| <Key Id(0-255)> |      | Enter a value for the Key ID of the MKT which needs to be associated with the peer. This value ranges from 0 to 255.                                                                                                                                                                                                                                                                                            |
| icmp-accept     |      | Enter for action on ICMPv4 type 3 and ICMPv6 type 1 messages on this peer session.                                                                                                                                                                                                                                                                                                                              |
| update-source   |      | Enter to configure the source-address for routing updates and allows BGP sessions to use any operational interface for TCP connection establishment with a peer. By default, the source address is set as 0.0.0.0, and the TCP fills the source address of the TCP session. The no form of the command disables configured source-address for routing updates and for TCP connection establishment with a peer. |
| allow-autostop  |      | Enter to enable the auto stop option to stop the BGP peer and BGP connection automatically. This command executes only if Peer/ Peer Group is created and Peer AS is configured. By default, the Auto stop option is disabled. The no form of this command disables the auto stop option.                                                                                                                       |
| as-override     |      | Enter to configure the override capability for a CE Peer. This command executes only if Peer/ Peer Group is created and Peer AS is configured. By default, the override capability is disabled. The no form of the command disables the override capability for the CE peer.                                                                                                                                    |
| capability      |      | Enter to enable the specific BGP capability to be advertised and received from the peer. The no form of the command disables the capability for the peer                                                                                                                                                                                                                                                        |
| ipv4-unicast    |      | Enter to set the IPv4 unicast address family capability.                                                                                                                                                                                                                                                                                                                                                        |
| ipv6-unicast    |      | Enter to set the MP IPv6 unicast address family capability.                                                                                                                                                                                                                                                                                                                                                     |
| route-refresh   |      | Enter to set the Route refresh capability.                                                                                                                                                                                                                                                                                                                                                                      |
| orf prefix-list |      | Enter to enable the address prefix-based Outbound Route Filter (ORF) for the specified BGP peer group.                                                                                                                                                                                                                                                                                                          |
| send            |      | Enter to enable ORF send capability.                                                                                                                                                                                                                                                                                                                                                                            |
| receive         |      | Enter to enable ORF receive capability.                                                                                                                                                                                                                                                                                                                                                                         |
| both            |      | Enter to enable both send and receive ORF Capability                                                                                                                                                                                                                                                                                                                                                            |

| Parameter                           | Type | Description                                                                                                                                                                                                                                                                                                                                                                                                                                                                                                                                                                                                                                                                                                                                                                                                           |
|-------------------------------------|------|-----------------------------------------------------------------------------------------------------------------------------------------------------------------------------------------------------------------------------------------------------------------------------------------------------------------------------------------------------------------------------------------------------------------------------------------------------------------------------------------------------------------------------------------------------------------------------------------------------------------------------------------------------------------------------------------------------------------------------------------------------------------------------------------------------------------------|
| <code>connect-retry-count</code>    |      | Enter to set the retry count for the BGP peer. This counter denotes the number of times the BGP Peer should try to establish a TCP-Connect issue with its neighboring peers. The default value for the counter is set as 5. If the BGP Peer exceeds the maximum count value, automatic stop event takes place and the BGP Peer is brought down to the Idle State. This command executes only if Peer / Peer Group is created and Peer AS is configured. The no form of the command resets the retry count of the BGP peer.                                                                                                                                                                                                                                                                                            |
| <code>&lt;value (1-50)&gt;</code>   |      | Enter a value for retry count for the BGP peer. This value ranges from 1 to 50 with a default of 5.                                                                                                                                                                                                                                                                                                                                                                                                                                                                                                                                                                                                                                                                                                                   |
| <code>damp-peer-oscillations</code> |      | Enter to enable the damp peer oscillation option. On implementing this logic, it damps the oscillations of BGP peers in the face of sequences of automatic start and automatic stop in the IDLE state.                                                                                                                                                                                                                                                                                                                                                                                                                                                                                                                                                                                                                |
| <code>default-originate</code>      |      | Enter to enable advertisement of the default route to the peer or neighbor for use as a default route. This command overrides the global default route configuration and sends a default route to the peer with self next-hop. The advertisement occurs irrespective of the presence of default route in FDB. This command does not require the presence of 0.0.0.0 in the local router. When used with a route map, the default route 0.0.0.0 is injected if the route map contains a match ip address clause. The route map can contain other match clauses also. By default, the advertisement of default route to the peer is disabled. This command executes only if Peer / Peer Group is created and Peer AS is configured. The no form of the command disables advertisement of the default route to the peer. |
| <code>delay-open</code>             |      | Enter to configure a delay in sending the first OPEN message to the BGP peer for a specific time period. By default, the delay open option is disabled. This command executes only if Peer / Peer Group is created and Peer AS is configured. The no form of the command disables the delay open option.                                                                                                                                                                                                                                                                                                                                                                                                                                                                                                              |

| Parameter                        | Type | Description                                                                                                                                                                                                                                                                                                                                                                                                                                                                                                                                                                                                                                                                                                                                                           |
|----------------------------------|------|-----------------------------------------------------------------------------------------------------------------------------------------------------------------------------------------------------------------------------------------------------------------------------------------------------------------------------------------------------------------------------------------------------------------------------------------------------------------------------------------------------------------------------------------------------------------------------------------------------------------------------------------------------------------------------------------------------------------------------------------------------------------------|
| <code>ebgp-multihop</code>       |      | <p>Enter to enable the BGP to establish connection with external peers residing on networks that are not directly connected. By default, external BGP peers need to be directly connected. If external BGP peer are not connected directly, then <code>ebgp-multihop</code> is enabled to initiate the connection with that external peer. If <code>ebgp-multihop</code> is disabled and external BGP peers are indirectly connected, then BGP peer session will not be established.</p> <ul style="list-style-type: none"> <li>• EBGp Multihop is disabled.</li> <li>• <code>ttl-1</code></li> </ul> <p>This command executes only if Peer/ Peer Group is created and Peer AS is configured. The no form of the command disables the peer EBGp-Multihop feature.</p> |
| <code>ttl &lt;(1-255)&gt;</code> |      | Enter a value for the maximum hop limit that is allowed for indirect BGP session. This value ranges from 1 to 255.                                                                                                                                                                                                                                                                                                                                                                                                                                                                                                                                                                                                                                                    |
| <code>fall-over bfd</code>       |      | Enter to enable the BFD monitoring for the peer IP address or peer-group name. On enabling, BGP registers with BFD for IP path monitoring when the session state becomes ESTABLISHED. By default, BFD Monitoring is disabled.                                                                                                                                                                                                                                                                                                                                                                                                                                                                                                                                         |
| <code>local-as</code>            |      | Enter to update the local AS used for the peer connection. This command executes only if Peer/ Peer Group is created and Peer AS is configured. The no form of the command resets the local AS used for the peer connection to the global local-As.                                                                                                                                                                                                                                                                                                                                                                                                                                                                                                                   |
| <code>&lt;AS no&gt;</code>       |      | <p>Enter to configure the Autonomous system number for the specified IP address of the peer/peer group name. This value ranges from 1 to 4294967295 or 0.1 to 65535.65535.</p> <p><b>NOTE:</b> When four-bit-asn is enabled, This value ranges from 1 to 4294967295 or between 0.1 and 65535.65535</p> <p><b>NOTE:</b> When four-bit-asn is disabled, This value ranges from 1 to 65535 or between 0.0 and 0.65535</p> <p><b>NOTE:</b> When <code>bgp asnotation</code> is enabled, the AS number of the BGP Speaker is displayed in the range 0.1 to 65535.65535.</p>                                                                                                                                                                                                |
| <code>maximum-prefix</code>      |      | Enter to configure the maximum number of peers supported by BGP. BGP speaker imposes a locally-configured, upper bound on the number of address prefixes the speaker is willing to accept from a neighbor. This command executes only if Peer/ Peer Group is created and Peer AS is configured. The no form of the command resets the max number of routes that is learned from that particular peer.                                                                                                                                                                                                                                                                                                                                                                 |



| Parameter                        | Type | Description                                                                                                                                                                                                                                                                                                                                                                                                                                                                                                                                                                                                                                                                                                                                                                                     |
|----------------------------------|------|-------------------------------------------------------------------------------------------------------------------------------------------------------------------------------------------------------------------------------------------------------------------------------------------------------------------------------------------------------------------------------------------------------------------------------------------------------------------------------------------------------------------------------------------------------------------------------------------------------------------------------------------------------------------------------------------------------------------------------------------------------------------------------------------------|
| <prefix-limit<br>(1-2147483647)> |      | Enter a value for the maximum number of address prefixes that the BGP Peer is willing to accept from the neighbor. This value ranges from 1 to 2147483647 with a default of 100.                                                                                                                                                                                                                                                                                                                                                                                                                                                                                                                                                                                                                |
| next-hop-self                    |      | Enter to configure the router as the next hop for BGP-speaking neighbor or peer group and enables BGP to send itself as the next hop for advertised routes. Administrator uses this command to make BGP speaker fill its address when advertising routes to the BGP peer. This command is useful in non-meshed networks where BGP neighbors may not have direct access to all other neighbors on the same IP subnet. This command executes only if Peer / Peer Group is created and Peer AS is configured. The no form of the command resets the peer nexthop-self status to default. The next hop will be generated based on the IP address of the destination and the present next hop in the route information..                                                                             |
| remote-as                        |      | Enter to create a peer and to initiate the connection to the peer and adds an entry to the BGP or multiprotocol BGP neighbor table. This specifies a neighbor with an autonomous system number that identifies the neighbor as internal to the local autonomous system. Otherwise, the neighbor is considered as external. By default, neighbors that are defined using this command in router configuration mode exchange only unicast address prefixes. The administrator can create a peer and set the Peer AS number with this command. The configured Peer AS number is compared with the AS number received in the open message and a peer session is initiated only if both the AS numbers match. The no form of the command disables the peer session and deletes the peer information. |
| <AS no>                          |      | Enter to configure the AS of the peer. This value ranges from 1 to 4294967295 or 0.1 to 65535.65535.<br><b>NOTE:</b> When four-bit-asn is enabled, This value ranges from 1 to 4294967295 or between 0.1 and 65535.65535<br><b>NOTE:</b> When four-bit-asn is disabled, This value ranges from 1 to 65535 or between 0.0 and 0.65535<br><b>NOTE:</b> When bgp asnotation is enabled, the AS number of the BGP Speaker is displayed in the range 0.1 to 65535.65535.                                                                                                                                                                                                                                                                                                                             |

| Parameter                              | Type | Description                                                                                                                                                                                                                                                                                                                                                                                                                |
|----------------------------------------|------|----------------------------------------------------------------------------------------------------------------------------------------------------------------------------------------------------------------------------------------------------------------------------------------------------------------------------------------------------------------------------------------------------------------------------|
| <code>allow-autostart</code>           |      | Enter to start the BGP session with the associated peer automatically. The peer session is automatically started in the IDLE state, after a BGP Peer session is brought down either by Autostop or through reception of invalid BGP message. The BGP session is automatically started after an interval specified by idle hold time. By default, allow-autostart is disabled.                                              |
| <code>[idlehold-time</code>            |      | Enter to configure the idle hold time. This specifies the length of time the BGP peer is held in the Idle state prior to the next automatic restart.                                                                                                                                                                                                                                                                       |
| <code>&lt;seconds (1-65535)&gt;</code> |      | Enter a value for the idle hold time. This value ranges from 1 to 65535. by default, idlehold-time is 60 seconds.<br><b>NOTE:</b> The IdleHoldTime can be configured only when the allow-autostart is enabled.<br><b>NOTE:</b> After each dampening, the value of the Idle Hold Time is doubled consecutively.                                                                                                             |
| <code>route-reflector-client</code>    |      | Enter to control client-to-client reflection and configures the specified Peer as Client of the Route Reflector. All the neighbors configured with this command will be members of the client group and the remaining IBGP peers will be members of the nonclient group for the local route reflector. This command executes only if Peer is created. The no form of the command resets the Peer as conventional BGP Peer. |
| <code>send-community</code>            |      | Enter to send community attribute to a BGP neighbor and to enable advertisement of community attributes (standard/extended) to peer. This command executes only if Peer/Peer Group is created and Peer AS is configured. The no form of the command disables advertisement of community attributes (standard/extended) to peer.                                                                                            |
| <code>both</code>                      |      | Enter to send both standard and extended communities to peer. This is the default option.                                                                                                                                                                                                                                                                                                                                  |
| <code>standard</code>                  |      | Enter to send only standard communities to the peer.                                                                                                                                                                                                                                                                                                                                                                       |
| <code>extended</code>                  |      | Enter to send only extended communities to the peer.                                                                                                                                                                                                                                                                                                                                                                       |

| Parameter                    | Type | Description                                                                                                                                                                                                                                                                                                                                                                                                                     |
|------------------------------|------|---------------------------------------------------------------------------------------------------------------------------------------------------------------------------------------------------------------------------------------------------------------------------------------------------------------------------------------------------------------------------------------------------------------------------------|
| shutdown                     |      | Enter to disable the Peer session and terminates any active session for the specified neighbor or peer group and removes all associated routing information. In the case of a peer group, a large number of peering sessions could be terminated suddenly. This command executes only if Peer/ Peer Group is created and Peer AS is configured. The no form of the command enables the Peer session for the specified neighbor. |
| timers                       |      | Enter to configure neighbor KeepAlive Time and Hold Time Intervals and sets the timers for a specific BGP peer or peer group. This command executes only if Peer/ Peer Group is created and Peer AS is configured.                                                                                                                                                                                                              |
| keepalive                    |      | Enter to configure the keep alive interval (in seconds) or frequency with keep alive messages are sent to its peer for the peer session.                                                                                                                                                                                                                                                                                        |
| < (1-21845)<br>seconds>      |      | Enter a value for the keep alive interval. The keep-alive value must always be less than the configured hold-time value— it ranges from 1 to 21845. The default is 30 seconds.                                                                                                                                                                                                                                                  |
| holdtime                     |      | Enter to configure the hold-time interval (in seconds) for the peer, which is sent in the OPEN message to the peer. This is the time interval in seconds for the Hold Time configured for BGP speaker with the peer. The system declares a peer dead, after ensuring that keep alive message is not received within this time period from the peer.                                                                             |
| < (3-65535)<br>seconds>      |      | Enter a value for the hold-time interval. This value ranges from 3 to 65535 seconds. The default is 90 seconds.                                                                                                                                                                                                                                                                                                                 |
| delayopentime                |      | Enter to configure the delay open time which is the amount of time that the BGP peer should delay in sending the OPEN message to the remote peer.                                                                                                                                                                                                                                                                               |
| < (0-65535)<br>seconds>      |      | Enter a value for the delay open time. This value ranges from 0 to 65535. The default is 0 seconds.<br><b>NOTE:</b> The value 0 implies that the BGP Peer can send an OPEN message without any delay to its neighbor.                                                                                                                                                                                                           |
| transport<br>connection-mode |      | Enter to configure the BGP Peer Transport Connection status as active or passive. This command executes only if Peer/ Peer Group is created and Peer AS is configure.                                                                                                                                                                                                                                                           |
| active                       |      | Enter for active BGP Peer Transport Connection status. When a peer transport connection is made active, then the peer will immediately initiate the session with the peer by sending an open message to it. This is the default option.                                                                                                                                                                                         |

| Parameter                                      | Type | Description                                                                                                                                                                                                                                                                 |
|------------------------------------------------|------|-----------------------------------------------------------------------------------------------------------------------------------------------------------------------------------------------------------------------------------------------------------------------------|
| <code>passive</code>                           |      | Enter for passive BGP Peer Transport Connection status. When the peer transport connection is passive, then the peer will not immediately initiate the session, instead, it waits for the peer to send the open message so that it can respond to it to create the session. |
| <code>route-map</code>                         |      | Enter to enable the route map or IP prefix list for the neighbor. This command executes only if Peer/ Peer Group is created and Peer AS is configured. The no form of the command disables routemap or IP prefix list for the neighbor.                                     |
| <code>&lt;name (1-20) &gt;</code>              |      | Enter a name of the Route Map— a string with the maximum size as 20.                                                                                                                                                                                                        |
| <code>prefix-list</code>                       |      | Enter to configure IP prefix list for neighbor.                                                                                                                                                                                                                             |
| <code>&lt;iipprefilist_name (1-20) &gt;</code> |      | Enter a value for the IP prefix list for neighbor. This value is a string with the maximum size as 20.                                                                                                                                                                      |
| <code>in</code>                                |      | Enter to enable / disable Route map or IP Prefix List for inbound routes.                                                                                                                                                                                                   |
| <code>out</code>                               |      | Enter to enable / disable Route map or IP Prefix List for outbound routes.                                                                                                                                                                                                  |
| <code>advertisement-interval</code>            |      | Enter to configure Time-interval (in seconds) for spacing advertisement of successive external route-updates to the same destination.                                                                                                                                       |
| <code>&lt;seconds (1-65535) &gt;</code>        |      | Enter a value for the advertisement-interval - the range is from 1 to 65535 seconds.                                                                                                                                                                                        |
| <code>as-origination-interval</code>           |      | Enter to configure the as-origination-interval.                                                                                                                                                                                                                             |
| <code>&lt;seconds (1-65535) &gt;</code>        |      | Enter a value for the as-origination-interval- the range is from 1 to 65535 seconds.                                                                                                                                                                                        |
| <code>connect-retry-interval</code>            |      | Enter to configure the connect-retry-interval.                                                                                                                                                                                                                              |
| <code>&lt;seconds (1-65535) &gt;</code>        |      | Enter a value for the connect-retry-interval - the range is from 1 to 65535 seconds.                                                                                                                                                                                        |
| <code>hold-advertised-routes</code>            |      | Enter to enable holding of advertised routes to peer. This command executes only if Peer/ Peer Group is created and Peer AS is configured. The no form of the command disables holding of advertised routes to peer and sets to its default.                                |

| Parameter    | Type | Description                                                                                                                                                                                                                                                                                                                 |
|--------------|------|-----------------------------------------------------------------------------------------------------------------------------------------------------------------------------------------------------------------------------------------------------------------------------------------------------------------------------|
| peer-group   |      | Enter to adds the neighbor as the member of the specified peer group. The no form of the command removes the neighbor as the member of the specified peer group. This command executes only if <ul style="list-style-type: none"> <li>Peer is created and Peer AS is configured.</li> <li>Peer Group is created.</li> </ul> |
| <string(20)> |      | Enter a name of the BGP peer group - a string of 20 characters.                                                                                                                                                                                                                                                             |

## Mode

BGP Router Configuration Mode

## Examples

```
iS5Comm(config)# router bgp 100
iS5Comm (config-router)# neighbor 23.45.0.1 gateway 10.0.0.1
iS5Comm (config-router)# neighbor 23.45.0.1 network-address 3399::11
iS5Comm (config-router)# neighbor 3399::11 network-address 23.45.0.1
iS5Comm (config-router)# neighbor 10.0.0.2 password abcdef
iS5Comm (config-router)# neighbor a1 peer-group
iS5Comm (config-router)# neighbor 20.45.0.1 tcp-ao mkt 2
iS5Comm (config-router)# neighbor 23.45.0.1 update-source 40.0.0.1
iS5Comm (config-router)# neighbor 12.0.0.1 allow-autostop
iS5Comm (config-router)# neighbor 23.45.0.1 as-override
iS5Comm (config-router)# neighbor 23.45.0.1 capability ipv4-unicast
iS5Comm (config-router)# neighbor 12.0.0.1 connect-retry-count 50
iS5Comm (config-router)# neighbor 12.0.0.1 damp-peer-oscillations
iS5Comm (config-router)# neighbor 23.45.0.1 default-originate
iS5Comm (config-router)# neighbor 12.0.0.1 delay-open
iS5Comm (config-router)# neighbor 23.45.0.1 ebgp-multihop ttl 20
iS5Comm (config-router)# neighbor 12.0.0.1 fall-over bfd
iS5Comm (config-router)# neighbor 10.3.4.5 local-as 1
iS5Comm (config-router)# neighbor 23.45.0.1 maximum-prefix 255
iS5Comm (config-router)# neighbor 23.45.0.1 next-hop-self
```

```
iS5Comm (config-router)# neighbor 23.45.0.1 remote-as 66
iS5Comm (config-router)# neighbor 23.45.0.1 route-reflector-client
iS5Comm (config-router)# neighbor 23.45.0.1 send-community both
iS5Comm (config-router)# neighbor 23.45.0.1 shutdown
iS5Comm (config-router)# neighbor 23.45.0.1 timers keepalive 40
iS5Comm (config-router)# neighbor 10.3.4.5 transport connection-mode passive
iS5Comm (config-router)# neighbor 10.3.4.5 route-map r1 in
iS5Comm (config-router)# neighbor 23.45.0.1 hold-advertised-routes
iS5Comm (config-router)# neighbor advertisement-interval 1
iS5Comm (config-router)# neighbor 10.3.4.5 peer-group a1
```

## 26.15. network

To configure the local network address that will be advertised to *BGP*, use the command **network** in *BGP* Router Configuration Mode. The `no` form of the command disables the local network address advertised to *BGP*.

### **network**

```
network <ipv4-address | ipv6-address> mask <prefixLen>
```

### **no network**

```
no network <ipv4-address | ipv6-address> mask <prefixLen>
```

## Parameters

| Parameter      | Type | Description                                                                                                                           |
|----------------|------|---------------------------------------------------------------------------------------------------------------------------------------|
| <ipv4-address> |      | Enter to configure the local network IPv4 address that will be advertised to BGP.                                                     |
| <ipv6-address> |      | Enter to configure the local network IPv6 address that will be advertised to BGP.                                                     |
| mask           |      | Enter to configure the subnet mask with prefix length for the local network address that will be advertised to BGP.                   |
| <prefixLen>    |      | Enter prefix length for the local network address that will be advertised to BGP. This prefix length ranges from 1 to 32 or 0 to 128. |

## Mode

BGP Router Configuration Mode

## Notes

The route-map filters are not applied for prefixes advertised via network command when redistribution is enabled with route-map.

## Examples

```
iS5Comm (config-router)# network 12.0.0.1 mask 1
```

## 26.16. redistribute

To control redistribution of Direct, Static and RIP routes into *BGP*, configure the protocol from which the routes have to be redistributed into *BGP* after applying the specified route map, and configure the redistribution of OSPF routes into *BGP*, use the command **redistribute** in *BGP* Router Configuration Mode. If this is set to enable, only the routes from the protocols are imported into *BGP* and *BGP* routes will not be distributed. If this is set as disable, then the routes learned from protocols are removed from *BGP* and no route is distributed. The no form of the command disables the redistribution of routes from the given protocol into *BGP* and the redistribution of routes from the OSPF protocol into *BGP*. The route map is disassociated from the redistribution, if the no form of the command specifies the route map.

### redistribute

```
redistribute {{static | connected | rip | all} [route-map <string(20)>]
[metric <integer (0-4294967295)>]}
```

```
| ospf [match {external | internal | nssa-external}] [route-map <string>]
[metric] <integer (0-4294967295)>]]}
```

**no redistribute**

```
no redistribute
```

```
{{static | connected | rip | all} [route-map <string(20)>] [metric]}
| ospf [match {external | internal | nssa-external}] [route-map <string>]
[metric]}
```



## Parameters

| Parameter                               | Type    | Description                                                                                                                                                                                             |
|-----------------------------------------|---------|---------------------------------------------------------------------------------------------------------------------------------------------------------------------------------------------------------|
| <code>static</code>                     |         | Enter to redistribute routes, configured statically, in the BGP routing process.                                                                                                                        |
| <code>connected</code>                  |         | Enter to redistribute directly connected networks routes, in the BGP routing process.                                                                                                                   |
| <code>rip</code>                        |         | Enter to redistribute routes that are learnt by the RIP process, in the BGP routing process.                                                                                                            |
| <code>all</code>                        |         | Enter to redistribute routes, that are learnt by the all processes (RIP statically configured and connected routes), in the <i>BGP</i> routing process.                                                 |
| <code>route-map</code>                  |         | Enter to identify the specified route-map in the list of route-maps during redistribution of routes to BGP. If this is not specified, all routes are redistributed.                                     |
| <code>&lt;string(20)&gt;</code>         |         | Enter a value for the route map—a string with the maximum size of 20.                                                                                                                                   |
| <code>metric</code>                     |         | Enter to specify the metric value for the routes to redistribute to BGP. If this is not specified, all routes are redistributed. If the metric value not specified, default metric value is considered. |
| <code>integer<br/>(0-4294967295)</code> | Integer | Enter a metric value for the route map—ranges from 0 to 4294967295.                                                                                                                                     |
| <code>ospf</code>                       |         | Enter to configure the redistribution of OSPF routes into <i>BGP</i> .                                                                                                                                  |
| <code>match</code>                      |         | Enter to match the OSPF route type to be redistributed into <i>BGP</i> .                                                                                                                                |
| <code>external</code>                   |         | Enter to redistribute OSPF external routes.                                                                                                                                                             |
| <code>internal</code>                   |         | Enter to redistribute OSPF internal routes.                                                                                                                                                             |
| <code>nssa-external</code>              |         | Enter to redistribute OSPF NSSA external routes.                                                                                                                                                        |

## Mode

BGP Router Configuration Mode

## Default

Redistribution is disabled

Metric - 0

## Notes

Redistribution can be configured for only one route map. Another route map can be assigned, only if the already assigned route map is disabled.

## Examples

```
iS5Comm(config-router)# redistribute all route-map rm metric 500
```

```
iS5Comm (config-router)# redistribute ospf match external route-map rm metric 500
```

## 26.17. restart-reason

To configure the reason for the graceful restart of the *BGP* router, use the command **restart-reason** in *BGP* Router Configuration Mode. The reason for restart can be unknown, software upgrade, scheduled restart or switch to redundant router. The entity should save any change made using this command in a non-volatile storage, as the configuration set using this command is persistent. The no form of the command resets the reason for restart.

### restart-reason

```
restart-reason [{unknown | softwareRestart | swReloadUpgrade}]
```

### no restart-reason

```
no restart-reason [{unknown | softwareRestart | swReloadUpgrade}]
```

## Parameters

| Parameter       | Type | Description                                                                                                                               |
|-----------------|------|-------------------------------------------------------------------------------------------------------------------------------------------|
| unknown         |      | Enter to configure a reason for graceful restart of the BGP router as restart due to unplanned events (such as restarting after a crash). |
| softwareRestart |      | Enter to configure a reason for graceful restart of the BGP router as restart due to restart of software.                                 |
| swReloadUpgrade |      | Enter to configure a reason for graceful restart of the BGP router as restart due to reload or upgrade of software.                       |

## Mode

BGP Router Configuration Mode

## Examples

```
i55Comm (config-router)# restart-reason swReloadUpgrade
```

## 26.18. restart-support

To enable the graceful restart support, use the command **restart-support** in *BGP* Router Configuration Mode. Graceful restart support is provided for both planned and unplanned restart, if the command is executed without any option. The entity should save any change made using this command in a non-volatile storage, as the configuration set using this command is persistent. The no form of the command disables the graceful restart support.

### restart-support

```
restart-support [plannedOnly]
```

### no restart-support

```
no restart-support [plannedOnly]
```

## Parameters

| Parameter   | Type | Description                                                                                               |
|-------------|------|-----------------------------------------------------------------------------------------------------------|
| plannedOnly |      | Enter to support only the planned restarts (such as restarting a control plane after a planned downtime). |

## Mode

BGP Router Configuration Mode

## Examples

```
i55Comm (config-router)# restart-support
```

## 26.19. router bgp

To enable the *ASN* of the *BGP* Speaker and enter into *BGP* router configuration mode, use the command **router bgp** in Global Configuration Mode. The no form of the command configures the *ASN* of the *BGP* Speaker to its default value.

### router bgp

```
router bgp
```

**no router bgp**

no router bgp

**Parameters**

| Parameter | Type | Description                                                                                                                                                                                                                                                                                                                                                                                                                                                                                                                                                                                                                                                                                                  |
|-----------|------|--------------------------------------------------------------------------------------------------------------------------------------------------------------------------------------------------------------------------------------------------------------------------------------------------------------------------------------------------------------------------------------------------------------------------------------------------------------------------------------------------------------------------------------------------------------------------------------------------------------------------------------------------------------------------------------------------------------|
| <AS no>   |      | <p>Enter the <i>ASN</i> that identifies the <i>BGP</i> router to other routers and tags the routing information passed along. This command also allows setting up a distributed routing core that automatically guarantees the loop-free exchange of routing information between autonomous systems.</p> <p><b>NOTE:</b> When four-byte <i>ASN</i> is enabled, this value ranges from 1 to 4294967295 or between 0.1 and 65535.65535.</p> <p><b>NOTE:</b> When four-byte <i>ASN</i> is disabled, this value ranges from 1 to 65535. or between 0.1 and 0.65535</p> <p><b>NOTE:</b> When <i>bgp asnotation</i> is enabled, the AS number of the BGP Speaker is displayed in the range 0.1 to 65535.65535.</p> |

**Mode**

Global Configuration Mode

**Default**

0

**Note**

If the *ASN* value is already configured to a non-zero value, it must be reset to zero (using no form of the command) before reconfiguring.

The "no router bgp" or "no router bgp command deletes all BGP configurations done on all VRs.

**Examples**

iS5Comm(config)# router bgp 100

iS5Comm (config-router)#

**26.20. show bgp-version**

To display the *BGP* Version information, use the command **show bgp-version** in Privileged EXEC Mode.

**show bgp-version**

```
show bgp-version
```

**Mode**

Privileged EXEC Mode

**Examples**

```
iS5Comm# show bgp-version
```

```
 BGP Version : 4
```

**26.21. show ip bgp**

To display the *BGP* related information, use the command **show ip bgp** in Privileged EXEC Mode. When you specify a parameter, the command displays information only for the specified parameter.

**show ip bgp**

```
show ip bgp
 {extcommunity {route |policy |filter}
 | peer-group [<peer-group-name> [summary]]
 |tcp-ao mkt summary [<random_str>]
 | {EndOfRIBMarkerStatus [neighbor [<peer-addr>]]}
 {[neighbor [<peer-addr> [received prefix-filter] [advertised-routes]]] |
[rib] | [stale] |[<ip_addr>] [prefix-len]}
 | aggregate
 | community {route |policy |filter}
 | confed info
 | dampening [{flap-statistics | dampened-paths}]
 | filters
 | info
 | local-pref
 | med
 | restartexitreason
 | restartreason
 | restartstatus
 | restartsupport
```

```

| rfl info
| summary
| timers
| vpnv4 {all | vrf <string(32)> | <ip-addr> [prefix-len]} {restartmode
[neighbor
| [<peer-addr>]]}

```

## Mode

Privileged EXEC Mode

## Examples

```
iS5Comm# show ip bgp restartreason
```

```
Context Name : default
```

```

```

```
BGP4: Restart reason is software restart
```

## 26.22. synchronization

To enable synchronization between *BGP* and *IGP*, use the command **synchronization** in *BGP* Router Configuration Mode. *BGP* speaker does not advertise a route to an external neighbor unless that route is local or exists in the *IGP*. This command allows routers and access servers within an autonomous system to have the route before *BGP* makes it available to other autonomous systems. The no form of the command disables the enable synchronization between *BGP* and *IGP*.

### synchronization

```
synchronization
```

### no synchronization

```
no synchronization
```

## Mode

*BGP* Router Configuration Mode

## Default

The synchronization between the *BGP* and *IGP* is disabled

## Note

This command is a complete standardized implementation of the existing command and operates similar to that of the command `ip bgp synchronization`.

## Examples

```
iS5Comm(config)# router bgp 100
iS5Comm (config-router)# synchronization
```

## 26.23. tcp-ao mkt key-id

To create a TCP-AO Master Key Tuple (MKT) in the BGP instance, use the command **tcp-ao mkt key-id** in *BGP Router Configuration Mode*. This command executes only if BGP Speaker Local AS number is configured. The `no` form of the command deletes a TCP-AO MKT in the BGP instance.

### tcp-ao mkt key-id

```
tcp-ao mkt key-id <Key Id(0-255)> receive-key-id <Rcv Key Id (0-255)> algo-
rithm {hmac-sha-1 | aes-128-cmac} key <master-key> [tcp-option-exclude]
```

### no tcp-ao mkt key-id

```
no tcp-ao mkt key-id <Key Id(0-255)>
```

## Parameters

| Parameter                           | Type    | Description                                                                                                                                                                                                                                                       |
|-------------------------------------|---------|-------------------------------------------------------------------------------------------------------------------------------------------------------------------------------------------------------------------------------------------------------------------|
| key-id <Key Id (0-255)>             | Integer | Enter to set the send KeyID of the MKT. This value is used to fill the key-id field in the TCP-AO option in the TCP header. This value ranges from 0 to 255.                                                                                                      |
| receive-key-id <Rcv Key Id (0-255)> |         | Enter to set the Receive Key-id of the MKT. The MKT ready at the sender to be used for authenticating received segments is indicated to the peer by filling the receive key id of the MKT in of the TCP-AO option in TCP header. This value ranges from 0 to 255. |
| algorithm                           |         | Enter to configure the algorithm used for TCP-AO MAC or KDF calculation.                                                                                                                                                                                          |
| hmac-sha-1                          |         | Enter to configure the algorithm type as hmac-sha-1.                                                                                                                                                                                                              |
| aes-128-cmac                        |         | Enter to configure the algorithm type as aes-128-cmac.                                                                                                                                                                                                            |
| key <master-key>                    |         | Enter to configure the master key corresponding to the MKT. This value is an octet string with the size between 1 and 80.                                                                                                                                         |
| tcp-option-exclude                  |         | Enter to set the exclude TCP option which excludes the TCP options other than TCP-AO during MAC calculation, If this is not set TCP-AO MAC will be calculated on TCP segment including all other TCP options.                                                     |

## Default

algorithm - hmac-sha-1

## Mode

BGP Router Configuration Mode

## Examples

```
iS5Comm (config-router)# tcp-ao mkt key-id 1 receive-key-id 1 algorithm hmac-sha-1 key key1
```



# IGMP Snooping

## 27. IGMP Snooping

Internet Group Multicast Protocol (*IGMP*) is the protocol used by a host to inform a router when it joins (or leaves) an Internet multicast group. *IGMP* is only used on a local network; a router must use another multicast routing protocol to inform other routers of group membership.

IGMP Snooping (*IGS*) is a feature that allows the switch to “listen in” on the *IGMP* conversation between hosts and routers. In IGS, a host computer uses IGMP to inform a router that it intends to listen to a specific multicast address. If another computer snoops such packets, it can learn the multicast sessions to which other computers on the local network are listening. The multicast packet transfer happens only between the source and the destination computers. Broadcasting of packets is avoided.

IGMP snooping significantly reduces traffic from streaming media and other bandwidth-intensive IP multicast applications.

### 27.1. debug ip igmp snooping

To specify the debug levels for *IGMP* snooping module, use the command **debug ip igmp snooping** in Privileged EXEC Mode. The no form of the command resets the debug level for *IGMP* snooping module. This command configures the various debug and trace statements to handle error and event management in the *IGMP* snooping module. The traces are enabled by passing the necessary parameters.

#### **debug ip igmp snooping**

```
debug ip igmp snooping ([init] [resources] [tmr] [src] [grp] [qry] [redundancy] [pkt] [fwd] [vlan] [entry] [exit] [mgmt] [np] [buffer] [icch] [trace] [all]) [switch <switch_name>]
```

#### **no debug ip igmp snooping**

```
no debug ip igmp snooping ([init] [resources] [tmr] [src] [grp] [qry] [redundancy] [pkt] [fwd] [vlan] [entry] [exit] [mgmt] [np] [buffer] [icch] [trace] [all]) [switch <switch_name>]
```

## Parameters

| Parameter     | Type | Description                                                                                                                                                       |
|---------------|------|-------------------------------------------------------------------------------------------------------------------------------------------------------------------|
| init          |      | Enter to generate Init and Shutdown trace messages at the instances when the module is initiated or shut down. The information is logged in a file.               |
| resources     |      | Enter to generate System Resources management trace messages when there is a change in the resource status. The information is logged in a file.                  |
| tmr           |      | Enter to generate Timer trace messages at the instances where timers are involved. The information is logged in a file.                                           |
| src           |      | Enter to generate trace messages when Source Information is involved.                                                                                             |
| grp           |      | Enter to generate trace messages when Group Information is involved.                                                                                              |
| qry           |      | Enter to generate trace messages when Query messages are sent or received.                                                                                        |
| redundancy    |      | Enter to generate debug statements for redundancy code flow traces. This trace is generated when there is a failure in redundancy processing.                     |
| pkt           |      | Enter to generate debug statements for packets handling traces. This trace is generated when there is an error condition in transmission or reception of packets. |
| fwd           |      | Enter to generate traces messages when forwarding Database is involved.                                                                                           |
| vlan          |      | Enter to generate trace messages when VLAN related Information is involved                                                                                        |
| entry         |      | Enter to generate trace messages to specify function entry points.                                                                                                |
| exit          |      | Enter to generate trace messages to specify function exit points.                                                                                                 |
| mgmt          |      | Enter to generate debug statements for management configuration. Currently, it is default.                                                                        |
| np            |      | Enter to generate NPAPI related configuration messages                                                                                                            |
| buffer        |      | Enter to generate buffer information messages.                                                                                                                    |
| icch          |      | Enter to generate ICCH related messages.                                                                                                                          |
| trace         |      | Enter to generate trace for the protocol.                                                                                                                         |
| all           |      | Enter to generate all types of trace messages.                                                                                                                    |
| switch        |      | Enter to generate trace messages for the specified switch context.                                                                                                |
| <switch_name> |      | Enter a switch name. Currently, it is default.                                                                                                                    |

## Mode

Privileged EXEC Mode

## Prerequisites

Debugging is Disabled.

## Examples

```
iS5Comm# debug ip igmp snooping fwd
```

## 27.2. ip igmp snooping

To configure the port leave mode for an interface, maximum limit type for an interface, or multicast profile index for a downstream interface, use the command **ip igmp snooping** in Interface Configuration Mode. The no form of the command configures the maximum limit type as none for an interface or resets the multicast profile index to default value.

### ip igmp snooping

```
ip igmp snooping
 {leavemode {exp-hosttrack | fastLeave | normalleave} [InnerVlanId <short
(1-4094)>]
 | limit {channels | groups} | normalleave} [InnerVlanId <short (1-4094)>]
 | filter-profileid <integer> [InnerVlanId <short (1-4094)>]}
```

### no ip igmp snooping

```
no ip igmp snooping
 {limit [InnerVlanId <short (1-4094)>]
 | filter-profileid [InnerVlanId <short (1-4094)>]}
```

## Parameters

| Parameter        | Type    | Description                                                                                                                                                                                                                                                                                                                                                                                                                                                   |
|------------------|---------|---------------------------------------------------------------------------------------------------------------------------------------------------------------------------------------------------------------------------------------------------------------------------------------------------------------------------------------------------------------------------------------------------------------------------------------------------------------|
| leavemode        |         | Enter to configure the port leave mode for an interface. The mechanism to process the leave messages in the downstream is selected. The switch sends an IGMP query message to find if there is any host interested in the multicast group.                                                                                                                                                                                                                    |
| exp-hosttrack    |         | Enter to process the leave messages using the explicit host tracking mechanism. The decision to remove the interface is made based on the tracked host information.                                                                                                                                                                                                                                                                                           |
| fastLeave        |         | Enter to configure the leave messages using the fast leave mechanism. On receiving a leave message, the interface is removed from the group registration and the leave message is sent to the router ports.                                                                                                                                                                                                                                                   |
| normalleave      |         | Enter to send a group or group specific query on the interface for every received leave message. The port is configured to use the normal leave mode. The normal leave mode is applicable only for v2 hosts. When the system receives a v2 leave message, it sends a group specific query on the interface. For v3 hosts, normal leave has no effect.                                                                                                         |
| InnerVlanId      |         | Enter to configure the inner VLAN ID value. In provider bridging domain, the customer VLAN itag is denoted as InnerVlanId. <ul style="list-style-type: none"> <li>• If InnerVlanId is specified, multicast forwarding mode must be IP based and enhanced mode must be enabled in the snooping system.</li> <li>• If InnerVlanId is not specified, leave mode can be configured irrespective of multicast forwarding mode and enhanced mode status.</li> </ul> |
| <short (1-4094)> | Integer | Enter a value for the inner VLAN ID. It ranges from 1 to 4094.                                                                                                                                                                                                                                                                                                                                                                                                |
| limit            |         | Enter to configure the maximum limit type for an interface. The maximum limit is the number of unique registrations for a channel or group.                                                                                                                                                                                                                                                                                                                   |
| channels         |         | Enter to configure the snooping maximum limit as channels (group, source). Channel limit is applied for IGMPv3 include and allow reports.                                                                                                                                                                                                                                                                                                                     |
| groups           |         | Enter to configure the snooping maximum limit as groups. Group limit is applied for all IGMP reports.                                                                                                                                                                                                                                                                                                                                                         |
| <interger32>     | Integer | Enter a value for the snooping maximum limit. This value ranges from 0 to 4294967295.                                                                                                                                                                                                                                                                                                                                                                         |

| Parameter        | Type    | Description                                                                                                                                                                                                     |
|------------------|---------|-----------------------------------------------------------------------------------------------------------------------------------------------------------------------------------------------------------------|
| InnerVlanId      |         | Enter to configure the maximum limit type for the Inner VLAN ID. If InnerVlanId is specified, enhanced mode should be enabled; otherwise, enhanced mode does not need to be enabled.                            |
| <short (1-4094)> | Integer | Enter a value for the inner VLAN ID. It ranges from 1 to 4094.                                                                                                                                                  |
| filter-profileid |         | Enter to configure the multicast profile index for a downstream interface. This profile contains a set of allowed or denied rules to be applied for the IGMP packets received through the downstream interface. |
| <integer>        | Integer | Enter a value to configure the multicast filter profile index for a downstream interface.                                                                                                                       |
| InnerVlanId      |         | Enter to configure the multicast filter profile index for the Inner VLAN identifier. If InnerVlanId is specified, then enhanced mode should be enabled; otherwise, enhanced mode does not need to be enabled.   |
| <short (1-4094)> | Integer | Enter a value for the Inner VLAN ID. It ranges from 1 to 4094.                                                                                                                                                  |

## Mode

Interface Configuration Mode

## Default

- exp-host track/fastLeave/normalleave - Normalleave
- The limit is set as 0 so that no limiting is done.
- profileid - the profile ID is 0.

## Prerequisites

- The leave process configuration level has to be port.
- limit
  - The IGMP snooping filter must be enabled for this configuration to have the effect.
  - Even without enabling IGMP snooping filter, control plane data structure update takes place. But the benefits can be realized only when IGMP Snooping filter is enabled.
- filter-profileid
  - The IGMP snooping filter must be enabled for this configuration to have the effect.
  - Even without enabling IGMP snooping filter, control plane data structure update takes place. But the benefits can be realized only when IGMP Snooping filter is enabled.

- IGMP Snooping multicast forwarding mode must be IP based.

## Examples

```
iS5Comm(config)# int gi 0/1
iS5Comm(config-if)# ip igmp snooping leavemode fastLeave InnerVlanId 1
iS5Comm(config-if)# ip igmp snooping limit groups 10 InnerVlanId 1
iS5Comm(config-if)# ip igmp snooping filter-profileid 2 InnerVlanId 1
```

## 27.3. ip igmp snooping

To enable IGMP snooping system enhanced and sparse mode in the switch and fast leave processing and IGMP snooping for a specific VLAN, configure the snooping filter and proxy reporting, the IGMP general query transmission feature, the time interval (in seconds) after which the switch sends a group specific query, the IGMP snooping router time-out interval (in seconds) after which port is deleted if no IGMP router control packets are received, the multicast VLAN feature related configuration on a port, to specify if IGMP reports should be forwarded on all VLAN member ports or router ports or non-edge ports and set the IGMP snooping report-suppression time interval for which IGMPv2 report messages will not get forwarded to the router, use the command **ip igmp snooping** in Global Configuration Mode. The no form of the command disables IGMP snooping in the switch (or specific VLAN). When IGMP snooping is disabled globally, it is disabled in all VLAN interfaces.

### ip igmp snooping

```
ip igmp snooping
 [enhanced-mode {enable | disable}]
 [filter]
 [group-query-interval <(2-5) seconds>]
 [mrouter-time-out <(60 - 600) seconds>]
 [multicast-vlan {enable | disable}]
 [port-purge-interval <(130 - 1225) seconds>]
 [proxy]
 [proxy-reporting]
 [query-forward {all-ports | non-router-ports}]
 [report-forward {all-ports | router-ports | non-edge-ports}]
 [report-suppression-interval <(1 - 25) seconds>]
 [retry-count <(1 - 5)>]
 [send-query {enable | disable}]
 [source-only learning age-timer <short(130-1225)>]
```

```
[sparse-mode {enable | disable}]
[vlan
<vlanid/vfi_id> | <vlanid (1-4094)>
{immediate-leave | mrouter <ifXtype> <iface_list>}]
```

**no ip igmp snooping**

```
no ip igmp snooping
[filter]
[group-query-interval]
[mrouter-time-out]
[port-purge-interval]
[proxy]
[proxy-reporting]
[report-forward]
[report-suppression-interval]1
[retry-count]
[source-only learning age-timer]
[vlan <vlanid/vfi_id> | <vlanid (1-4094)>]
{immediate-leave | mrouter <ifXtype> <iface_list>}]
```

## Parameters

| Parameter            | Type    | Description                                                                                                                                                                                                                                                                                                                                                                                                                                                                                                                                                        |
|----------------------|---------|--------------------------------------------------------------------------------------------------------------------------------------------------------------------------------------------------------------------------------------------------------------------------------------------------------------------------------------------------------------------------------------------------------------------------------------------------------------------------------------------------------------------------------------------------------------------|
| enhanced-mode        |         | Enter to configure the snooping system enhanced mode in the switch. It is provided to enhance the operation of IGMP snooping module to duplicate multicast traffic by learning multicast group entries based on the port and inner VLAN. This mode of operation is applied when the downstream devices are less intelligent or not capable of duplicating multicast traffic.                                                                                                                                                                                       |
| enable               |         | Enter to enable snooping system enhanced mode in the switch.<br><b>NOTE:</b> Enhanced mode is in enabled state only when the snooping mode is set as IP Based.                                                                                                                                                                                                                                                                                                                                                                                                     |
| disable              |         | Enter to disable snooping system enhanced mode in the switch. This is default.                                                                                                                                                                                                                                                                                                                                                                                                                                                                                     |
| filter               |         | Enter to configure the IGMP snooping filter. The IGS filtering feature restricts channel registration from being added to the database. In transparent snooping, the filtered packet will not be added to the snooping database but will be forwarded upstream. When disabled, all filter related configurations remain but the incoming reports will not be subject to filtering. IGS module programs the hardware to remove the configured rate limit. It flushes all registrations learnt through a port if a threshold limit is configured for this interface. |
| group-query-interval |         | Enter to set the time interval (in seconds) after which the switch sends a group specific query to find out if there are any interested receivers in the group when it receives a leave message. If it does not receive a response from the group, the port is removed from the group membership information in the forwarding database.                                                                                                                                                                                                                           |
| <(2-5) seconds>      | Integer | Enter a value to set the time interval (in seconds). It ranges from 2 to 5. The default is 2 seconds.                                                                                                                                                                                                                                                                                                                                                                                                                                                              |
| mrouter-time-out     |         | Enter to set the IGMP snooping router time-out interval (in seconds) after which port is deleted if no IGMP router control packets are received                                                                                                                                                                                                                                                                                                                                                                                                                    |
| <(60 - 600) seconds> | Integer | Enter a value to set the IGMP snooping router time-out interval (in seconds). It ranges from 2 to 5.                                                                                                                                                                                                                                                                                                                                                                                                                                                               |
| multicast-vlan       |         | Enter to configure the snooping system enhanced mode in the switch. It is provided to enhance the operation of IGMP snooping module to duplicate multicast traffic by learning multicast group entries based on the port and inner VLAN. This mode of operation is applied when the downstream devices are less intelligent or not capable of duplicating multicast traffic.                                                                                                                                                                                       |



| Parameter              | Type    | Description                                                                                                                                                                                                                                                                                                                                                                                                                                                                                                                                                                                                         |
|------------------------|---------|---------------------------------------------------------------------------------------------------------------------------------------------------------------------------------------------------------------------------------------------------------------------------------------------------------------------------------------------------------------------------------------------------------------------------------------------------------------------------------------------------------------------------------------------------------------------------------------------------------------------|
| enable                 |         | Enter to enable snooping system enhanced mode in the switch.                                                                                                                                                                                                                                                                                                                                                                                                                                                                                                                                                        |
| disable                |         | Enter to disable snooping system enhanced mode. This is the default.                                                                                                                                                                                                                                                                                                                                                                                                                                                                                                                                                |
| port-purge-interval    |         | Enter to set the time interval (in seconds) after which the switch sends a group specific query to find out if there are any interested receivers in the group when it receives a leave message. If it does not receive a response from the group, the port is removed from the group membership information in the forwarding database.                                                                                                                                                                                                                                                                            |
| <(130 - 1225) seconds> | Integer | Enter a value to set the time interval (in seconds). It ranges from 2 to 5. The default is 260 seconds.                                                                                                                                                                                                                                                                                                                                                                                                                                                                                                             |
| proxy                  |         | Enter to configure proxy reporting in the IGMP snooping switch. In proxy mode, the switch acts as a querier for all downstream interfaces and as a host for all upstream interfaces. The switch sends general query to all downstream interfaces at the query interval and collects information about the member ports. The proxy sends current consolidated report and state change report to upstream interfaces. By default, the proxy is disabled in the IGMP snooping switch.<br><b>NOTE:</b> Proxy can be enabled in the IGMP snooping switch only if the proxy reporting is disabled in the snooping switch. |
| proxy-reporting        |         | Enter to configure proxy reporting in the IGMP snooping switch. When enabled, the switch supports the multicast router to learn the membership information of the multicast group. It forwards the multicast packets based on group membership information. The proxy-reporting switch acts as a querier to the downstream hosts. It sends proxy-reporting to upstream queriers. By default, proxy-reporting is enabled.<br><b>NOTE:</b> Proxy reporting can be enabled in the IGMP snooping switch only if the proxy is disabled in the switch.                                                                    |
| query-forward          |         | Enter to configure the snooping system enhanced mode in the switch. It is provided to enhance the operation of IGMP snooping module to duplicate multicast traffic by learning multicast group entries based on the port and inner VLAN. This mode of operation is applied when the downstream devices are less intelligent or not capable of duplicating multicast traffic.                                                                                                                                                                                                                                        |
| all-ports              |         | Enter to configure the query messages to be sent to all member ports of VLAN. the IGMP query forward administrative control status as all VLAN member ports. This is done to find out if there are any interested listeners in the network.                                                                                                                                                                                                                                                                                                                                                                         |

| Parameter                   | Type    | Description                                                                                                                                                                                                                                                                                                                                                                                                                                                                                                                                                                                                    |
|-----------------------------|---------|----------------------------------------------------------------------------------------------------------------------------------------------------------------------------------------------------------------------------------------------------------------------------------------------------------------------------------------------------------------------------------------------------------------------------------------------------------------------------------------------------------------------------------------------------------------------------------------------------------------|
| non-router-ports            |         | Enter to configure the query messages to be sent only to non-router ports. This is done to reduce the traffic in the network. This is default.                                                                                                                                                                                                                                                                                                                                                                                                                                                                 |
| report-forward              |         | Enter to specify if IGMP reports should be forwarded on all VLAN member ports or router ports or non-edge ports. The configuration enables the switch to forward IGMP report messages to the selected ports thus avoiding flooding of the network.                                                                                                                                                                                                                                                                                                                                                             |
| all-ports                   |         | Enter to configure the IGMP reports to be forwarded to all ports of a VLAN.                                                                                                                                                                                                                                                                                                                                                                                                                                                                                                                                    |
| router-ports                |         | Enter to configure the IGMP reports to be forwarded only to router ports of a VLAN. This is the default.                                                                                                                                                                                                                                                                                                                                                                                                                                                                                                       |
| non-edge-ports              |         | Enter to configure the IGMP reports to be forwarded only to router ports of a VLAN.                                                                                                                                                                                                                                                                                                                                                                                                                                                                                                                            |
| non-router-ports            |         | Enter to configure the IGMP reports to be forwarded only to STP non-edge ports of a VLAN.                                                                                                                                                                                                                                                                                                                                                                                                                                                                                                                      |
| report-suppression-interval |         | Enter to set the IGMP snooping report-suppression time interval for which IGMPv2 report messages will not get forwarded to the router ports for the same group. The switch forwards IGMPv2 report messages to a multicast group. A timer is started immediately after forwarding the report message and runs for set period of time. During this interval, the switch does not forward another IGMPv2 report message addressed to the same multicast group to the router ports.<br><b>NOTE:</b> The ip igmp snooping report-suppression-interval is used only when the proxy and proxy-reporting are disabled. |
| <(1 - 25) seconds>          | Integer | Enter a value to set the time interval (in seconds). It ranges from 2 to 5. The default is 5 seconds.                                                                                                                                                                                                                                                                                                                                                                                                                                                                                                          |
| retry-count                 |         | Enter to set the maximum number of group specific queries sent on a port on reception of a IGMPv2 leave message. This command sets the maximum number of group specific queries sent by the switch to check if there are any interested v2 receivers for the group when it receives a leave message in the proxy/ proxy-reporting mode. The port is deleted from the group membership information in the forwarding database if the maximum retry count exceeds set number.                                                                                                                                    |
| <1 - 5>                     | Integer | Enter a value to set the maximum number of group specific queries sent on a port on reception of a IGMPv2 leave message. It ranges from 1 to 5.                                                                                                                                                                                                                                                                                                                                                                                                                                                                |
| send-query                  |         | Enter to configure the IGMP general query transmission feature upon topology change in the switch.                                                                                                                                                                                                                                                                                                                                                                                                                                                                                                             |

| Parameter               | Type    | Description                                                                                                                                                                                                                                                                                                                                                                                                                            |
|-------------------------|---------|----------------------------------------------------------------------------------------------------------------------------------------------------------------------------------------------------------------------------------------------------------------------------------------------------------------------------------------------------------------------------------------------------------------------------------------|
| enable                  |         | Enter to enable the snooping query transmission status which generates IGMP query messages                                                                                                                                                                                                                                                                                                                                             |
| disable                 |         | Enter to disable the snooping query transmission status which stops the switch from generating IGMP query messages                                                                                                                                                                                                                                                                                                                     |
| source-only             |         | Enter to configure the IGMP snooping port purge time interval after which the port gets deleted if IGMP reports are not received. When a port receives reports from hosts, the timer is initiated. If the port receives another report before the timer expires, the timer is restarted. If the port does not receive any report from hosts till the timer expires, then the port entry is purged from the multicast database.         |
| learning                |         | Enter to set learning age timer configuration.                                                                                                                                                                                                                                                                                                                                                                                         |
| age-timer               |         | Enter to set interval (in seconds) after which port is deleted if no IGMP reports are received.                                                                                                                                                                                                                                                                                                                                        |
| <short (130-1225) >     | Integer | Enter a value for the interval (in seconds) after which a port is deleted if no IGMP reports are received. The default is 260 seconds.                                                                                                                                                                                                                                                                                                 |
| sparse-mode             |         | Enter to configure the snooping system sparse mode in the switch. In the sparse mode, the IGS module drops the unknown multicast traffic when there is no listener for the multicast data. In the non-sparse-mode, the IGS module forwards the unknown multicast traffic. The multicast data gets flooded to the member port of vlan.<br><b>NOTE:</b> Sparse mode is in enabled state only when the snooping mode is set as MAC Based. |
| enable                  |         | Enter to enable the snooping system sparse mode in the switch. It drops unknown multicast packets.                                                                                                                                                                                                                                                                                                                                     |
| disable                 |         | Enter to disable the snooping system sparse mode in the switch. Floods unknown multicast packets. This is default.                                                                                                                                                                                                                                                                                                                     |
| vlan <vlanid (1-4094) > |         | Enter to enable fast leave processing and IGMP snooping for a specific VLAN. It enables IGMP snooping only for the specific VLAN when IGMP snooping is globally disabled. When the fast leave feature is enabled, port information is removed from a multicast group entry immediately after fast leave message is received. The ID of the VLAN ranges between 1 and 4094.                                                             |
| immediate-leave         |         | Enter to set fast leave processing configuration. By default, fast leave processing is disabled in all VLANs.                                                                                                                                                                                                                                                                                                                          |

| Parameter                       | Type | Description                                                                                                                                                                                                                                                                                                                                                                                                                                                                                                                                                                                                                                                                 |
|---------------------------------|------|-----------------------------------------------------------------------------------------------------------------------------------------------------------------------------------------------------------------------------------------------------------------------------------------------------------------------------------------------------------------------------------------------------------------------------------------------------------------------------------------------------------------------------------------------------------------------------------------------------------------------------------------------------------------------------|
| <code>mrouter</code>            |      | Enter to enable IGMP snooping and configures a list of multicast router ports for a specific VLAN, if IGMP snooping is globally enabled. This will enable IGMP snooping only for the specific VLAN, if IGMP snooping is globally disabled. Any IGMP message received on a switch is forwarded only on the router-ports and not on host ports. In this manner, the IGMP snooping functionality avoids flooding of IGMP query messages from the host to the entire network.                                                                                                                                                                                                   |
| <code>&lt;ifXtype&gt;</code>    |      | Enter to configure the list of multicast router ports for the specified type of interface. The interface can be: <ul style="list-style-type: none"> <li>• <code>fastethernet</code> – Officially referred to as 100BASE-T standard. This is a version of LAN standard architecture that supports data transfer up to 100 megabits per second.</li> <li>• <code>gigabitethernet</code> – A version of LAN standard architecture that supports data transfer up to 1 gigabit per second.</li> <li>• <code>extreme-ethernet</code> – A version of Ethernet that supports data transfer up to 10 gigabits per second. This Ethernet supports only full duplex links.</li> </ul> |
| <code>&lt;iface_list&gt;</code> |      | Enter to set a list of multicast router ports for the list of interfaces or a specific interface identifier. This value is a combination of slot number and port number separated by a slash for interface type other than <code>internal-lan</code> and <code>port-channel</code> . Only <code>i-lan</code> or <code>port-channel</code> ID is provided for interface types <code>internal-lan</code> and <code>port-channel</code> . Use comma as a separator without space while configuring list of interfaces. Example: <code>0/1, 0/3</code> or <code>1, 3</code>                                                                                                     |

## Mode

Global Configuration Mode

## Examples

```
iS5Comm(config)# ip igmp snooping enhanced-mode enable
```

```
iS5Comm(config)# ip igmp snooping filter
```

```
iS5Comm(config)# ip igmp snooping group-query-interval 3
```

```
iS5Comm(config)# ip igmp snooping mrouter-time-out 70
```

```
iS5Comm(config)# ip igmp snooping multicast-vlan enable
```

```
iS5Comm (config)# ip igmp snooping port-purge-interval 150
```

```
iS5Comm(config)# ip igmp snooping report-suppression-interval 20
```

```

iS5Comm(config)# ip igmp snooping query-forward all-ports
iS5Comm(config)# ip igmp snooping report-forward all-ports
iS5Comm(config)# ip igmp snooping report-suppression-interval 20
iS5Comm (config)# ip igmp snooping retry-count 4
iS5Comm(config)# ip igmp snooping send-query enable
iS5Comm (config)# ip igmp snooping source-only learning age-timer 200
iS5Comm(config)# ip igmp snooping sparse-mode enable
iS5Comm (config)# ip igmp snooping vlan 1 immediate-leave
iS5Comm(config)# ip igmp snooping vlan 1 mrouter gigabitethernet 0/1

```

## 27.4. ip igmp snooping

To enable fast leave processing and *IGMP* snooping for a specific *VLAN* and *IGMP* snooping configuring a list of multicast router ports for a specific *VLAN* when *IGMP* snooping is globally enabled, configure statically the blocked router ports for a *VLAN*, the *IGMP* snooping switch as a querier for a specific *VLAN*, *IGMP* snooping static multicast related information, and operating version of *IGMP* PROXY on the upstream router port for a *VLAN*, set parameters such as the maximum response code inserted in general queries sent to host, the router port purge time-out interval for a *VLAN*, the maximum time interval to decide that another querier is present in the network, the time period with which the general queries are sent by the *IGMP* snooping switch or the maximum number of general query messages sent out on switch startup when configured as querier on a *VLAN*, use the command **ip igmp snooping** in *VLAN* Configuration Mode. The no form of the command disables *IGMP* snooping in the switch (or specific *VLAN*) and sets all parameters to their default values. When *IGMP* snooping is disabled globally, it is disabled in all *VLAN* interfaces.

### ip igmp snooping

```

ip igmp snooping
 [blocked-router <ifXtype> <iface_list>}]
 [fast-leave]
 [max-response-code <(0 - 255)>]
 [mrouter <ifXtype> <iface_list>}]
 [mrouter-port <ifXtype> <iface_list> {time-out <short(60-600)>
| version {v1 | v2 | v3}}]
 [multicast-vlan profile profile <Profile ID (0-4294967295)>]
 [other-querier-present-interval <value (120-1215) seconds>]

```

```
[querier {address | <ucast_addr>}]
[query-interval <(60 - 600) seconds>]
[startup-query-count <(2 - 5)>]
[startup-query-interv <(15 - 150) seconds>]
[static-group <mcast_addr> ports <ifXtype> <iface_list>}]
[version {v1 | v2 | v3}]
```

**no ip igmp snooping**

```
no ip igmp snooping
[blocked-router <ifXtype> <iface_list>}]
[fast-leave]
[max-response-code]
[mrouter <ifXtype> <iface_list>}]
[mrouter-port <ifXtype> <iface_list> {time-out <short(60-600)> | version]
[multicast-vlan profile
[other-querier-present-interval
[querier
[query-interval
[startup-query-count
[startup-query-interv <(15 - 150) seconds>]
[static-group <mcast_addr> ports <ifXtype> <iface_list>}]
```

## Parameters

| Parameter         | Type    | Description                                                                                                                                                                                                                                                                                                                                                                                                                                                                                                                                                                                              |
|-------------------|---------|----------------------------------------------------------------------------------------------------------------------------------------------------------------------------------------------------------------------------------------------------------------------------------------------------------------------------------------------------------------------------------------------------------------------------------------------------------------------------------------------------------------------------------------------------------------------------------------------------------|
| blocked-router    |         | Enter to configure statically the blocked router ports for a VLAN. When configured as a blocked router, the queries, PIM DVMRP and data messages are discarded. The corresponding port entry is removed from the forwarding database. The ports to be configured as blocked router ports must not be configured as static router ports.<br><b>NOTE:</b> The ports to be configured as blocked router ports must not be configured as static router ports.                                                                                                                                                |
| <ifXtype>         |         | Enter to configure the type of interface to be employed on the port. The interface can be: <ul style="list-style-type: none"> <li>fastethernet – Officially referred to as 100BASE-T standard. This is a version of LAN standard architecture that supports data transfer up to 100 megabits per second.</li> <li>gigabitethernet – A version of LAN standard architecture that supports data transfer up to 1 gigabit per second.</li> <li>extreme-ethernet – A version of Ethernet that supports data transfer up to 10 gigabits per second. This Ethernet supports only full duplex links.</li> </ul> |
| <iface_list>      |         | Enter to set a list of multicast router ports for the list of interfaces or a specific interface identifier. This value is a combination of slot number and port number separated by a slash for interface type other than internal-lan and port-channel. Only i-lan or port-channel ID is provided for interface types internal-lan and port-channel. Use comma as a separator without space while configuring list of interfaces. Example: 0/1, 0/3 or 1, 3                                                                                                                                            |
| fast-leave        |         | Enter to enable fast leave processing and IGMP snooping for a specific VLAN. It enables IGMP snooping only for the specific VLAN when IGMP snooping is globally disabled. When the fast leave feature is enabled, port information is removed from a multicast group entry immediately after fast leave message is received. By default, fast leave processing is disabled.<br><b>NOTE:</b> Fast leave configurations done in a VLAN when IGMP snooping is disabled in a VLAN will be applied only when IGMP snooping is enabled in the VLAN.                                                            |
| max-response-code |         | Enter to set the maximum response code inserted in general queries sent to host. The unit of the response code is tenth of second.                                                                                                                                                                                                                                                                                                                                                                                                                                                                       |
| <(0 - 255)>       | Integer | Enter a value for the maximum response code inserted in general queries sent to host. It ranges from 0 to 255 with a default of 100.                                                                                                                                                                                                                                                                                                                                                                                                                                                                     |

| Parameter    | Type | Description                                                                                                                                                                                                                                                                                                                                                                                                                                                                                                                                                                                                                                                        |
|--------------|------|--------------------------------------------------------------------------------------------------------------------------------------------------------------------------------------------------------------------------------------------------------------------------------------------------------------------------------------------------------------------------------------------------------------------------------------------------------------------------------------------------------------------------------------------------------------------------------------------------------------------------------------------------------------------|
| mrouter      |      | <p>Enter to enable IGMP snooping and configures a list of multicast router ports for a specific VLAN when IGMP snooping is globally enabled. This will enable IGMP snooping only for the specific VLAN, if IGMP snooping is globally disabled. Any IGMP message received on a switch is forwarded only on the router-ports and not on the host ports. In this manner, the IGMP snooping functionality avoids flooding of IGMP query messages from the host to the entire network.</p> <p><b>NOTE:</b> The list of multicast router ports configured while IGMP snooping is disabled in the VLAN is applied only when the IGMP snooping is enabled in the VLAN.</p> |
| <ifXtype>    |      | <p>Enter to configure the list of multicast router ports for the specified type of interface. The interface can be:</p> <ul style="list-style-type: none"> <li>• fastethernet – Officially referred to as 100BASE-T standard. This is a version of LAN standard architecture that supports data transfer up to 100 megabits per second.</li> <li>• gigabitethernet – A version of LAN standard architecture that supports data transfer up to 1 gigabit per second.</li> <li>• extreme-ethernet – A version of Ethernet that supports data transfer up to 10 gigabits per second. This Ethernet supports only full duplex links.</li> </ul>                        |
| <iface_list> |      | <p>Enter to set a list of multicast router ports for the list of interfaces or a specific interface identifier. This value is a combination of slot number and port number separated by a slash for interface type other than internal-lan and port-channel. Only i-lan or port-channel ID is provided for interface types internal-lan and port-channel. Use comma as a separator without space while configuring list of interfaces. Example: 0/1, 0/3 or 1, 3</p>                                                                                                                                                                                               |
| mrouter-port |      | <p>Enter to configure the router port purge time-out interval for a VLAN. The time interval after which the proxy assumes there are no v1/v2 routers present on the upstream port. While the older querier timer is running, the proxy replies to all queries with consolidated v1/v2 reports. When the timer expires, if the v2/v3 queriers are not present and the port is dynamically learnt, the port is purged. If the port is static, router port, the proxy replies to all queries with new version of v2/v3 consolidated reports.</p> <p><b>NOTE:</b> The router ports must be statically configured for the VLAN.</p>                                     |



| Parameter        | Type    | Description                                                                                                                                                                                                                                                                                                                                                                                                                                                                                                                                                                                                                          |
|------------------|---------|--------------------------------------------------------------------------------------------------------------------------------------------------------------------------------------------------------------------------------------------------------------------------------------------------------------------------------------------------------------------------------------------------------------------------------------------------------------------------------------------------------------------------------------------------------------------------------------------------------------------------------------|
| <ifXtype>        |         | Enter to configure the list of multicast router ports for the specified type of interface. The interface can be: <ul style="list-style-type: none"> <li>• fastethernet – Officially referred to as 100BASE-T standard. This is a version of LAN standard architecture that supports data transfer up to 100 megabits per second.</li> <li>• gigabitethernet – A version of LAN standard architecture that supports data transfer up to 1 gigabit per second.</li> <li>• extreme-ethernet – A version of Ethernet that supports data transfer up to 10 gigabits per second. This Ethernet supports only full duplex links.</li> </ul> |
| <iface_list>     |         | Enter to set a list of multicast router ports for the list of interfaces or a specific interface identifier. This value is a combination of slot number and port number separated by a slash for interface type other than internal-lan and port-channel. Only i-lan or port-channel ID is provided for interface types internal-lan and port-channel. Use comma as a separator without space while configuring list of interfaces. Example: 0/1, 0/3 or 1, 3                                                                                                                                                                        |
| time-out         |         | Enter to configure the router port purge time-out interval.                                                                                                                                                                                                                                                                                                                                                                                                                                                                                                                                                                          |
| <short (60-600)> | Integer | Enter a value for the router port purge time-out interval. This value ranges from 60 to 600 seconds with a default of 125.                                                                                                                                                                                                                                                                                                                                                                                                                                                                                                           |
| version          |         | Enter to configure operating version of the IGMP snooping.<br><b>NOTE:</b> The router ports must be statically configured for the VLAN.                                                                                                                                                                                                                                                                                                                                                                                                                                                                                              |
| v1               |         | Enter for IGMP snooping Version 1.                                                                                                                                                                                                                                                                                                                                                                                                                                                                                                                                                                                                   |
| v2               |         | Enter for IGMP snooping Version 2.                                                                                                                                                                                                                                                                                                                                                                                                                                                                                                                                                                                                   |
| v3               |         | Enter for IGMP snooping Version 3. This is the default.                                                                                                                                                                                                                                                                                                                                                                                                                                                                                                                                                                              |

| Parameter                                        | Type    | Description                                                                                                                                                                                                                                                                                                                                                                                                                                                                                                                                                                                                                                                                                                                                                                                                                                                                                                                                                                                                                                                                                                  |
|--------------------------------------------------|---------|--------------------------------------------------------------------------------------------------------------------------------------------------------------------------------------------------------------------------------------------------------------------------------------------------------------------------------------------------------------------------------------------------------------------------------------------------------------------------------------------------------------------------------------------------------------------------------------------------------------------------------------------------------------------------------------------------------------------------------------------------------------------------------------------------------------------------------------------------------------------------------------------------------------------------------------------------------------------------------------------------------------------------------------------------------------------------------------------------------------|
| <code>multicast-vlan</code>                      |         | <p>Enter to configure profile ID to VLAN mapping for multicast VLAN classification. The switch is configured with list of entries such as multicast group, multicast source and filter mode. These entries are maintained in access profiles. Each profile is associated with a particular VLAN which is categorized as multicast VLAN. When any untagged report or leave message is received (that is, packet with no tag in a customer bridge or packet with no S-tag in a provider or 802.1ad bridge), and if the group and source address in the received packet matches any rule in this profile, then the received packet is classified to be associated to the VLAN (that is, multicast VLAN) to which the profile is mapped.</p> <p><b>NOTE:</b></p> <ul style="list-style-type: none"> <li>• Multicast snooping mode should be IP based.</li> <li>• This command can be executed only after creating a multicast profile and setting the action for the created profile as permit.</li> <li>• The configurations done by this command will take effect only if the profile is activated.</li> </ul> |
| <code>profile</code>                             |         | Enter to configure profile ID to VLAN mapping for multicast VLAN classification.                                                                                                                                                                                                                                                                                                                                                                                                                                                                                                                                                                                                                                                                                                                                                                                                                                                                                                                                                                                                                             |
| <code>&lt;Profile ID (0-4294967295)&gt;</code>   | Integer | Enter a value to the multicast profile ID for a particular VLAN. This value ranges from 0 to 4294967295. The default is 0.                                                                                                                                                                                                                                                                                                                                                                                                                                                                                                                                                                                                                                                                                                                                                                                                                                                                                                                                                                                   |
| <code>other-querier-present-interval-vlan</code> |         | <p>Enter to set the maximum time interval for deciding that another querier is present in the network. Within this time interval, if the querier receives response from another querier, then the one with a higher IP address is announced as the querier for the network. The other querier present interval must be greater than or equal to <math>((\text{Robustness Variable} * \text{Query Interval}) + (\text{Query Response Interval}/2))</math>. Here, Robustness value is 2.</p> <p><b>NOTE:</b> The switch should be configured as a querier for the other querier present command to be effective.</p>                                                                                                                                                                                                                                                                                                                                                                                                                                                                                           |
| <code>&lt;(130 - 1225) seconds&gt;</code>        | Integer | Enter a value for the maximum time interval for deciding that another querier is present in the network. This time interval ranges between 120 and 1215 seconds. The default is 255 seconds.                                                                                                                                                                                                                                                                                                                                                                                                                                                                                                                                                                                                                                                                                                                                                                                                                                                                                                                 |
| <code>querier</code>                             |         | Enter to configure the IGMP snooping switch as a querier for a specific VLAN. When configured as a querier, the switch sends IGMP query messages. The query messages will be suppressed if there are any routers in the network. The default is Non-querier.                                                                                                                                                                                                                                                                                                                                                                                                                                                                                                                                                                                                                                                                                                                                                                                                                                                 |

| Parameter              | Type    | Description                                                                                                                                                                                                                                                                                                                                                                                                                                                                                                                                                                                                                                                                                                               |
|------------------------|---------|---------------------------------------------------------------------------------------------------------------------------------------------------------------------------------------------------------------------------------------------------------------------------------------------------------------------------------------------------------------------------------------------------------------------------------------------------------------------------------------------------------------------------------------------------------------------------------------------------------------------------------------------------------------------------------------------------------------------------|
| address                |         | Enter to denote the interface VLAN or switch IP address to be used as source address.                                                                                                                                                                                                                                                                                                                                                                                                                                                                                                                                                                                                                                     |
| <ucast_addr>           |         | Enter to configure the query messages to be sent to all member ports of VLAN. the IGMP query forward administrative control status as all VLAN member ports. This is done to find out if there are any interested listeners in the network.                                                                                                                                                                                                                                                                                                                                                                                                                                                                               |
| query-interval         |         | Enter to set the time period with which the general queries are sent by the IGMP snooping switch when configured as querier on a VLAN. The switch sends querier messages in proxy mode and proxy-reporting mode to all downstream interfaces for this time interval. The value range is between 60 to 600 seconds.<br><b>NOTE:</b> <ul style="list-style-type: none"> <li>The switch must be configured as a querier for this configuration to be imposed.</li> <li>In proxy reporting mode, general queries are sent on all downstream interfaces with this interval only if the switch is the Querier.</li> <li>In proxy mode, general queries will be sent on all downstream interfaces with this interval.</li> </ul> |
| <(60 - 600) seconds>   | Integer | Enter a value for the time period with which the general queries are sent by the IGMP snooping switch when configured as querier on a VLAN. The value range is between 60 to 600 with default of 125.                                                                                                                                                                                                                                                                                                                                                                                                                                                                                                                     |
| startup-query-count    |         | Enter to set the maximum number of general query messages sent out on switch startup when the switch is configured as a querier. Startup query messages are sent to announce the presence of the switch along with its identity. The startup query count is manually configured to change the existing count.                                                                                                                                                                                                                                                                                                                                                                                                             |
| <2 - 5>                | Integer | Enter a value for the maximum number of general query messages sent out on switch startup when the switch is configured as a querier. This value ranges from 2 to 5. The default is 2.                                                                                                                                                                                                                                                                                                                                                                                                                                                                                                                                    |
| startup-query-interval |         | Enter to set the time period with which the general queries are sent by the IGMP snooping switch during startup of the querier election process.<br><b>NOTE:</b> The switch should be configured as querier for the startup query interval command to produce results.<br>The startup query interval should be less than or equal to $\frac{1}{4}$ of the query interval                                                                                                                                                                                                                                                                                                                                                  |

| Parameter            | Type    | Description                                                                                                                                                                                                                                                                                                                                                                                                                                                                                                                                                                                                                     |
|----------------------|---------|---------------------------------------------------------------------------------------------------------------------------------------------------------------------------------------------------------------------------------------------------------------------------------------------------------------------------------------------------------------------------------------------------------------------------------------------------------------------------------------------------------------------------------------------------------------------------------------------------------------------------------|
| <(15 - 150) seconds> | Integer | Enter a value for the time period with which the general queries are sent by the IGMP snooping switch during startup of the querier election process. This time interval ranges between 15 and 150 seconds and should be less than or equal to query interval/ 4. The default is 31 seconds.                                                                                                                                                                                                                                                                                                                                    |
| static-group         |         | Enter to configure IGMP snooping static multicast related information.<br><b>NOTE:</b> The command executes only when IGMP snooping is enabled in the switch.                                                                                                                                                                                                                                                                                                                                                                                                                                                                   |
| <mcast_addr>         |         | Enter to configure the multicast address. This value ranges from 225.0.0.0. to 239.255.255.255                                                                                                                                                                                                                                                                                                                                                                                                                                                                                                                                  |
| ports                |         | Enter to enable the snooping query transmission status which generates IGMP query messages.                                                                                                                                                                                                                                                                                                                                                                                                                                                                                                                                     |
| <ifXtype>            |         | Enter to configure the snooping static multicast for the specified type of interface. The interface can be: <ul style="list-style-type: none"> <li>• fastethernet – Officially referred to as 100BASE-T standard. This is a version of LAN standard architecture that supports data transfer up to 100 megabits per second.</li> <li>• gigabitethernet – A version of LAN standard architecture that supports data transfer up to 1 gigabit per second.</li> <li>• extreme-ethernet – A version of Ethernet that supports data transfer up to 10 gigabits per second. This Ethernet supports only full duplex links.</li> </ul> |
| <iface_list>         |         | Enter to configure the snooping static multicast for the list of interfaces or a specific interface identifier. This value is a combination of slot number and port number separated by a slash for interface type other than internal-lan and port-channel. Only i-lan or port-channel ID is provided for interface types internal-lan and port-channel. Use comma as a separator without space while configuring list of interfaces. Example: 0/1, 0/3 or 1, 3                                                                                                                                                                |
| version              |         | Enter to configure operating version of the IGMP snooping.<br><b>NOTE:</b> The router ports must be statically configured for the VLAN.                                                                                                                                                                                                                                                                                                                                                                                                                                                                                         |
| v1                   |         | Enter for IGMP snooping Version 1.                                                                                                                                                                                                                                                                                                                                                                                                                                                                                                                                                                                              |
| v2                   |         | Enter for IGMP snooping Version 2.                                                                                                                                                                                                                                                                                                                                                                                                                                                                                                                                                                                              |
| v3                   |         | Enter for IGMP snooping Version 3. This is the default.                                                                                                                                                                                                                                                                                                                                                                                                                                                                                                                                                                         |

## Mode

VLAN Configuration Mode

## Examples

```
iS5Comm(config)# vlan 55
iS5Comm (config-vlan)# ip igmp snooping blocked-router gigabitethernet 0/2
iS5Comm (config-vlan)# ip igmp snooping fast-leave
iS5Comm(config-vlan)# ip igmp snooping max-response-code 10
iS5Comm (config-vlan)# ip igmp snooping mrouter gigabitethernet 0/1
iS5Comm(config-vlan)# ip igmp snooping mrouter-port gigabitethernet 0/1 time-out 150
iS5Comm(config-vlan)# ip igmp snooping mrouter-port gigabitethernet 0/1 version v1
iS5Comm (config-vlan)# ip igmp snooping multicast-vlan profile 1
iS5Comm(config-vlan) # ip igmp snooping other-querier-present-interval 1215
iS5Comm (config-vlan)# ip igmp snooping querier
iS5Comm(config-vlan) # ip igmp snooping startup-query-interval 100
iS5Comm (config-vlan) # ip igmp snooping startup-query-count 4
iS5Comm(config-vlan) # ip igmp snooping startup-query-interval 100
iS5Comm (config-vlan)# ip igmp snooping static-group 225.3.2.2 ports gigabitethernet 0/2
iS5Comm(config-vlan)#ip igmp snooping version v2
```

## 27.5. ip igmp

To configure the multicast profile index for an interface or the maximum number of multicast groups that can be learnt on the interface, use the command **ip igmp** in Interface Configuration Mode. The no form of the command deletes the multicast profile index from an interface or the maximum limit type that was configured for the interface.

### ip igmp

```
ip igmp {filter <profile number> | max-groups <integer32>}
```

## Parameters

| Parameter                           | Type    | Description                                                                                                                                                                                                                                                                                                       |
|-------------------------------------|---------|-------------------------------------------------------------------------------------------------------------------------------------------------------------------------------------------------------------------------------------------------------------------------------------------------------------------|
| <code>filter</code>                 |         | Enter to configure the multicast profile index for an interface.<br><b>NOTE:</b> This command is a standardized implementation of the existing command: <code>ip igmp snooping filter-profileId</code> . It operates similar to the existing command.                                                             |
| <code>&lt;profile number&gt;</code> | Integer | Enter a value to configure the multicast profile index for an interface. This value ranges from 1 to 4294967295.                                                                                                                                                                                                  |
| <code>max-groups</code>             |         | Enter to configure the maximum number of multicast groups that can be learnt on the interface.                                                                                                                                                                                                                    |
| <code>&lt;integer32&gt;</code>      | Integer | Enter a value to configure the maximum number of multicast groups that can be learnt on the interface. This value ranges from 0 to 254.<br><b>NOTE:</b> This command is a standardized implementation of the existing command: <code>ip igmp snooping limit</code> . It operates similar to the existing command. |

## Mode

Interface Configuration Mode

## Examples

```
iS5Comm(config-if)# ip igmp filter 1
iS5Comm(config-if)# ip igmp max-groups 5
```

## 27.6. ip igmp snooping clear counters

To clear the *IGMP* snooping statistics maintained for *VLAN*, use the command **ip igmp snooping clear counters** in Privileged Exec Mode.

### ip igmp snooping clear counters

```
ip igmp snooping clear counters [vlan <vlan-id/vfi-id>]
```

## Parameters

| Parameter | Type | Description                                                                                                                                                                                                                                                                                                                                                                                                                                                                                                                                                                                                                                                                                                                                                                                                                                                                                                                                                                                                                                                                                                                                                                                                                                  |
|-----------|------|----------------------------------------------------------------------------------------------------------------------------------------------------------------------------------------------------------------------------------------------------------------------------------------------------------------------------------------------------------------------------------------------------------------------------------------------------------------------------------------------------------------------------------------------------------------------------------------------------------------------------------------------------------------------------------------------------------------------------------------------------------------------------------------------------------------------------------------------------------------------------------------------------------------------------------------------------------------------------------------------------------------------------------------------------------------------------------------------------------------------------------------------------------------------------------------------------------------------------------------------|
| vlan      |      | <p>Enter to clear the IGMP snooping statistics maintained for the specified VLAN / VFI ID. This value ranges from 1 to 65535.</p> <ul style="list-style-type: none"> <li>• &lt;vlan-id&gt; - VLAN ID is a unique value that represents the specific VLAN. This value ranges from 1 to 4094.</li> <li>• &lt;vfi-id&gt; - VFI ID is a VLAN created in the system which contains pseudo wires and attachment circuits as member ports. This creates a logical LAN for the VPLS service. This value ranges from 4096 to 65535.</li> </ul> <p><b>NOTE:</b> The VLAN ID 4095 is reserved and may be used to indicate a wildcard match for the VID in management operations or filtering database entries.</p> <p><b>NOTE:</b> VFI IDs 4096 and 4097 are reserved identifiers used in MPLS PW.</p> <p><b>NOTE:</b> The theoretical maximum for the maximum number of VFI is 65535, but the actual number of VFI supported is a sizing constant. Based on this, the maximum number of VFI ID accepted in the management interface is restricted. For example, if 100 VFIs are supported, the maximum number of VFI supported will be restricted to maximum number of VLANs + 100. An error message is displayed for any value beyond this range.</p> |

## Mode

Privileged Exec Mode

## Examples

```
iS5Comm# ip igmp snooping clear counters vlan 4094
```

## 27.7. mvr

To configure the multicast *VLAN* feature on a port, use the command **mvr** in Global Configuration Mode. Multicast *VLAN* feature is used for applications where wide-scale deployment of multicast traffic is necessary. MVLAN registration allows a subscriber on a port to subscribe and unsubscribe to a multicast stream on any of the multicast *VLANs*. Multicast *VLANs* enable efficient multicast data flow in separate M- *VLANs*, while normal data flows through *VLANs*. This command is a standardized implementation of the existing command: ip igmp snooping multicast-vlan. It operates similar to the existing command. The no form of this command disables the multicast *VLAN* feature.

### **mvr**

```
mvr
```

**no mvr**

no mvr

**Mode**

Global Configuration Mode

**Default**

non-router-ports

**Examples**

iS5Comm(config)# mvr

**27.8. show ip igmp snooping**

To display the router ports, *IGMP* snooping information, *IGMP* group information, *IGMP* snooping statistics, the blocked router ports, *IGMP* multicast host information, and IGS port configuration information for all *VLANs* or a specific *VLAN* for a given switch or for all switches (if no switch is specified) and the multicast *VLAN* statistics in a switch, use the **show ip igmp snooping** command in Privileged EXEC Mode.

**show ip igmp snooping**

```
show ip igmp snooping
 [blocked-router [vlan <vlan-id/vfi-id>] [switch <switch_name>]]
 [forwarding-database [vlan <vlan-id/vfi-id>] [{static | dynamic}] [switch
<switch_name>]]
 [globals [switch <switch_name>]]
 [groups [vlan <vlan-id/vfi-id>] [Group <Address>]] [{static | dynamic}]
[switch <switch_name>]]
 {mrouter [vlan <vlan-id/vfi-id>] [detail] [switch <switch_name>]]
 | multicast-receivers [vlan <vlan-id/vfi-id>] [Group <Address>]] [switch
<switch_name>]]
 [multicast-vlan [switch <switch_name>]]
 [port-cfg [{interface <interface-type> <interface-id> [InnerVlanId
vlan-id(1-4094)] [switch <switch_name>]]
 [statistics [vlan <vlan-id/vfi-id>] [switch <switch_name>]]
 [switch <switch_name>]]
 [vlan <vlan-id/vfi-id>] [switch <switch_name>]]
```





## Parameters

| Parameter                                                | Type    | Description                                                                                                                                                                                                                                                                                                                                                                                                                                                                                                                                       |
|----------------------------------------------------------|---------|---------------------------------------------------------------------------------------------------------------------------------------------------------------------------------------------------------------------------------------------------------------------------------------------------------------------------------------------------------------------------------------------------------------------------------------------------------------------------------------------------------------------------------------------------|
| <code>blocked-router</code>                              |         | Enter to display blocked router ports for all VLANs or a specific VLAN for a given switch or for all switches (if no switch is specified).                                                                                                                                                                                                                                                                                                                                                                                                        |
| <code>vlan</code><br><code>&lt;vlan-id/vfi-id&gt;</code> | Integer | Enter to specify the blocked router ports for the VLAN / VFI ID to be displayed. This value ranges from 1 to 65535. <ul style="list-style-type: none"> <li><code>&lt;vlan-id&gt;</code> - VLAN ID is a unique value that represents the specific VLAN. This value ranges from 1 to 4094.</li> <li><code>&lt;vfi-id&gt;</code> - VFI ID is a VLAN created in the system which contains Pseudo wires and Attachment Circuits as member ports. This creates a logical LAN for the VPLS service. This value ranges from 4096 to 65535.</li> </ul>     |
| <code>switch</code>                                      |         | Enter to display the IGMP snooping statistics for the specified context.                                                                                                                                                                                                                                                                                                                                                                                                                                                                          |
| <code>&lt;switch_name&gt;</code>                         |         | Enter a value representing unique name of the switch context. This value is a string of maximum size 32. This parameter is specific to multiple instance feature.                                                                                                                                                                                                                                                                                                                                                                                 |
| <code>forwarding-database</code>                         |         | Enter to display multicast forwarding entries for all VLANs or a specific VLAN or specific VLAN and group address for a given switch or for all switch (if no switch is specified).                                                                                                                                                                                                                                                                                                                                                               |
| <code>vlan</code><br><code>&lt;vlan-id/vfi-id&gt;</code> | Integer | Enter to specify multicast forwarding entries for the VLAN / VFI ID to be displayed. This value ranges from 1 to 65535. <ul style="list-style-type: none"> <li><code>&lt;vlan-id&gt;</code> - VLAN ID is a unique value that represents the specific VLAN. This value ranges from 1 to 4094.</li> <li><code>&lt;vfi-id&gt;</code> - VFI ID is a VLAN created in the system which contains Pseudo wires and Attachment Circuits as member ports. This creates a logical LAN for the VPLS service. This value ranges from 4096 to 65535.</li> </ul> |
| <code>static</code>                                      |         | Enter to display only static multicast entries.                                                                                                                                                                                                                                                                                                                                                                                                                                                                                                   |
| <code>dynamic</code>                                     |         | Enter to display only dynamic multicast entries. If not specified, both static and dynamic entries are displayed.                                                                                                                                                                                                                                                                                                                                                                                                                                 |
| <code>switch</code>                                      |         | Enter to display the switch name/context name.                                                                                                                                                                                                                                                                                                                                                                                                                                                                                                    |
| <code>&lt;switch_name&gt;</code>                         |         | Enter a value representing unique name of the switch context. This value is a string of maximum size 32. This parameter is specific to multiple instance feature.                                                                                                                                                                                                                                                                                                                                                                                 |

| Parameter                | Type    | Description                                                                                                                                                                                                                                                                                                                                                                                                                                                                                                                     |
|--------------------------|---------|---------------------------------------------------------------------------------------------------------------------------------------------------------------------------------------------------------------------------------------------------------------------------------------------------------------------------------------------------------------------------------------------------------------------------------------------------------------------------------------------------------------------------------|
| globals                  |         | Enter to display IGMP snooping information for all VLANs or a specific VLAN for a given switch or for all switches (if switch is not specified). The optional switch name is not applicable for SI case.                                                                                                                                                                                                                                                                                                                        |
| switch                   |         | Enter to display the switch name/context name.                                                                                                                                                                                                                                                                                                                                                                                                                                                                                  |
| <switch_name>            |         | Enter a value representing unique name of the switch context. This value is a string of maximum size 32. This parameter is specific to multiple instance feature.                                                                                                                                                                                                                                                                                                                                                               |
| groups                   |         | Enter to display IGMP group information for all VLANs or a specific VLAN or specific VLAN and group address for a given switch or for all switch (if no switch is specified).                                                                                                                                                                                                                                                                                                                                                   |
| vlan<br><vlan-id/vfi-id> | Integer | Enter to specify IGMP snooping group information for the VLAN / VFI ID to be displayed. This value ranges from 1 to 65535. <ul style="list-style-type: none"> <li>• &lt;vlan-id&gt; - VLAN ID is a unique value that represents the specific VLAN. This value ranges from 1 to 4094.</li> <li>• &lt;vfi-id&gt;. - VFI ID is a VLAN created in the system which contains Pseudo wires and Attachment Circuits as member ports. This creates a logical LAN for the VPLS service. This value ranges from 4096 to 65535.</li> </ul> |
| Group                    |         | Enter to display the multicast group address of the VLAN ID.                                                                                                                                                                                                                                                                                                                                                                                                                                                                    |
| <Address>                |         | Enter a value for the multicast group address of the VLAN ID to be displayed.                                                                                                                                                                                                                                                                                                                                                                                                                                                   |
| static                   |         | Enter to display only static multicast entries.                                                                                                                                                                                                                                                                                                                                                                                                                                                                                 |
| dynamic                  |         | Enter to display only dynamic multicast entries. If not specified, both static and dynamic entries are displayed.                                                                                                                                                                                                                                                                                                                                                                                                               |
| switch                   |         | Enter to display the switch name/context name.                                                                                                                                                                                                                                                                                                                                                                                                                                                                                  |
| <switch_name>            |         | Enter a value representing unique name of the switch context. This value is a string of maximum size 32. This parameter is specific to multiple instance feature.                                                                                                                                                                                                                                                                                                                                                               |
| mrouter                  |         | Enter for display the router ports for all VLANs or a specific VLAN for a given switch or for all switches (if no switch is specified). The optional switch is not applicable for SI case. The interface details and the corresponding port number along with its type (static/dynamic) are displayed.                                                                                                                                                                                                                          |

| Parameter                | Type    | Description                                                                                                                                                                                                                                                                                                                                                                                                                                                                                                                                                                                                                                                                                                                                                                                                                                                                                                                                                                                                                                                                                                                                                                                                                             |
|--------------------------|---------|-----------------------------------------------------------------------------------------------------------------------------------------------------------------------------------------------------------------------------------------------------------------------------------------------------------------------------------------------------------------------------------------------------------------------------------------------------------------------------------------------------------------------------------------------------------------------------------------------------------------------------------------------------------------------------------------------------------------------------------------------------------------------------------------------------------------------------------------------------------------------------------------------------------------------------------------------------------------------------------------------------------------------------------------------------------------------------------------------------------------------------------------------------------------------------------------------------------------------------------------|
| vlan<br><vlan-id/vfi-id> | Integer | <p>Enter to specify the router ports for the specified VLAN / VFI ID to be displayed. This value ranges from 1 to 65535.</p> <ul style="list-style-type: none"> <li>• &lt;vlan-id&gt; - VLAN ID is a unique value that represents the specific VLAN. This value ranges from 1 to 4094.</li> <li>• &lt;vfi-id&gt;. - VFI ID is a VLAN created in the system which contains Pseudo wires and Attachment Circuits as member ports. This creates a logical LAN for the VPLS service. This value ranges from 4096 to 65535.</li> </ul> <p><b>NOTE:</b> The VLAN ID 4095 is reserved and may be used to indicate a wildcard match for the VID in management operations or filtering database entries.</p> <p><b>NOTE:</b> VFI IDs 4096 and 4097 are reserved identifiers used in MPLS PW.</p> <p><b>NOTE:</b> The theoretical maximum for the maximum number of VFI is 65535 but the actual number of VFI supported is a sizing constant. Based on this, the maximum number of VFI ID accepted in the management interface is restricted. For example, if 100 VFIs are supported, the maximum number of VFI supported will be restricted to maximum number of VLANs + 100. An error message is displayed for any value beyond this range.</p> |
| detail                   |         | Enter to display detailed information about the router ports.                                                                                                                                                                                                                                                                                                                                                                                                                                                                                                                                                                                                                                                                                                                                                                                                                                                                                                                                                                                                                                                                                                                                                                           |
| switch                   |         | Enter to display the router ports for the specified context.                                                                                                                                                                                                                                                                                                                                                                                                                                                                                                                                                                                                                                                                                                                                                                                                                                                                                                                                                                                                                                                                                                                                                                            |
| <switch_name>            |         | Enter a value representing unique name of the switch context. This value is a string of maximum size 32. This parameter is specific to multiple instance feature.                                                                                                                                                                                                                                                                                                                                                                                                                                                                                                                                                                                                                                                                                                                                                                                                                                                                                                                                                                                                                                                                       |
| multicast-vlan           |         | Enter to display Multicast VLAN statistics for all VLANs or a specific VLAN for a given switch or for all switches (if switch is not specified). The optional switch name is not applicable for SI case.                                                                                                                                                                                                                                                                                                                                                                                                                                                                                                                                                                                                                                                                                                                                                                                                                                                                                                                                                                                                                                |
| switch                   |         | Enter to display the switch name/context name.                                                                                                                                                                                                                                                                                                                                                                                                                                                                                                                                                                                                                                                                                                                                                                                                                                                                                                                                                                                                                                                                                                                                                                                          |
| <switch_name>            |         | Enter a value representing unique name of the switch context. This value is a string of maximum size 32. This parameter is specific to multiple instance feature.                                                                                                                                                                                                                                                                                                                                                                                                                                                                                                                                                                                                                                                                                                                                                                                                                                                                                                                                                                                                                                                                       |
| port-cfg                 |         | Enter to display IGS port configuration information for all inner VLANs or a specific inner VLAN ID or a given switch.                                                                                                                                                                                                                                                                                                                                                                                                                                                                                                                                                                                                                                                                                                                                                                                                                                                                                                                                                                                                                                                                                                                  |
| <interface>              |         | Enter to specify interface to be displayed.                                                                                                                                                                                                                                                                                                                                                                                                                                                                                                                                                                                                                                                                                                                                                                                                                                                                                                                                                                                                                                                                                                                                                                                             |

| Parameter                | Type    | Description                                                                                                                                                                                                                                                                                                                                                                                                                                                                                                             |
|--------------------------|---------|-------------------------------------------------------------------------------------------------------------------------------------------------------------------------------------------------------------------------------------------------------------------------------------------------------------------------------------------------------------------------------------------------------------------------------------------------------------------------------------------------------------------------|
| <interface-type>         |         | Enter to specify interface type to be displayed. The interface can be: <ul style="list-style-type: none"> <li>Gigabitethernet – A version of LAN standard architecture that supports data transfer up to 1 Gigabit per second.</li> <li>Extreme-Ethernet – A version of ethernet that supports data transfer up to 10 Gigabits per second. This ethernet supports only full duplex links.</li> <li>i-lan – Internal LAN created on a bridge per IEEE 802.1ap.</li> </ul>                                                |
| <interface-id>           |         | Enter to display a specified interface ID. This is a unique value that represents the specific interface. This value is a combination of slot number and port number separated by a slash for interface type other than i-lan. Only i-lan ID is provided, for interface type i-lan.                                                                                                                                                                                                                                     |
| InnerVlanId              |         | Enter to specify the Inner VLAN identifier to be displayed.                                                                                                                                                                                                                                                                                                                                                                                                                                                             |
| <VlanId(1-4094)>         | Integer | Enter a value for the Inner VLAN identifier to be displayed. This value ranges from 1 to 4094.                                                                                                                                                                                                                                                                                                                                                                                                                          |
| switch                   |         | Enter to display the switch name/context name.                                                                                                                                                                                                                                                                                                                                                                                                                                                                          |
| <switch_name>            |         | Enter a value representing unique name of the switch context. This value is a string of maximum size 32. This parameter is specific to multiple instance feature.                                                                                                                                                                                                                                                                                                                                                       |
| statistics               |         | Enter to display IGMP snooping statistics for all VLANs or a specific VLAN for a given switch or for all switches (if no switch is specified).                                                                                                                                                                                                                                                                                                                                                                          |
| vlan<br><vlan-id/vfi-id> | Integer | Enter to specify the IGMP snooping statistics for the VLAN / VFI ID to be displayed. This value ranges from 1 to 65535. <ul style="list-style-type: none"> <li>&lt;vlan-id&gt; - VLAN ID is a unique value that represents the specific VLAN. This value ranges from 1 to 4094.</li> <li>&lt;vfi-id&gt; - VFI ID is a VLAN created in the system which contains Pseudo wires and Attachment Circuits as member ports. This creates a logical LAN for the VPLS service. This value ranges from 4096 to 65535.</li> </ul> |
| switch                   |         | Enter to display the switch name/context name.                                                                                                                                                                                                                                                                                                                                                                                                                                                                          |
| <switch_name>            |         | Enter a value representing unique name of the switch context. This value is a string of maximum size 32. This parameter is specific to multiple instance feature.                                                                                                                                                                                                                                                                                                                                                       |

| Parameter                | Type    | Description                                                                                                                                                                                                                                                                                                                                                                                                                                                                                                              |
|--------------------------|---------|--------------------------------------------------------------------------------------------------------------------------------------------------------------------------------------------------------------------------------------------------------------------------------------------------------------------------------------------------------------------------------------------------------------------------------------------------------------------------------------------------------------------------|
| vlan<br><vlan-id/vfi-id> | Integer | Enter to specify IGMP snooping information for the VLAN / VFI ID to be displayed. This value ranges from 1 to 65535. <ul style="list-style-type: none"> <li>• &lt;vlan-id&gt; - VLAN ID is a unique value that represents the specific VLAN. This value ranges from 1 to 4094.</li> <li>• &lt;vfi-id&gt; - VFI ID is a VLAN created in the system which contains Pseudo wires and Attachment Circuits as member ports. This creates a logical LAN for the VPLS service. This value ranges from 4096 to 65535.</li> </ul> |
| switch                   |         | Enter to display the switch name/context name.                                                                                                                                                                                                                                                                                                                                                                                                                                                                           |
| <switch_name>            |         | Enter a value representing unique name of the switch context. This value is a string of maximum size 32. This parameter is specific to multiple instance feature.                                                                                                                                                                                                                                                                                                                                                        |

## Mode

Privileged EXEC Mode

## Examples

iS5Comm# show ip igmp snooping blocked-router

```
VlanPorts

1Gi0/1, Gi0/2, Gi0/3, Gi0/4
2Gi0/6, Gi0/7, Gi0/8
```

iS5Comm# show ip igmp snooping globals

```
Snooping Configuration

IGMP Snooping globally enabled
IGMP Snooping is operationally enabled
IGMP Snooping Enhanced mode is disabled
Transmit Query on Topology Change globally disabled
Multicast forwarding mode is MAC based
Proxy globally disabled
Proxy reporting globally enabled
Filter is disabled
Router port purge interval is 125 seconds
Port purge interval is 260 seconds
Report forward interval is 5 seconds
```

```

Group specific query interval is 2 seconds
Reports are forwarded on router ports
Group specific query retry count is 2
Multicast VLAN disabled
Leave config level is Vlan based

```

### iS5Comm# show ip igmp snooping groups

```

IGMP Snooping Group information

VLAN ID:2 Group Address: 227.1.1.1
Filter Mode: EXCLUDE
Exclude sources: None
V1/V2 Receiver Ports:
Gi0/4
V3 Receiver Ports:
 Port Number: Gi0/2
 Include sources: None
 Exclude sources:
 12.0.0.10, 12.0.0.20
 Port Number: Gi0/3
 Include sources: None
 Exclude sources:
 12.0.0.40, 12.0.0.30

```

### iS5Comm# show ip igmp snooping mrouter

```

Vlan Ports
----- -----
 1 Gi0/1(dynamic), Gi0/2(static)
 2 Gi0/1(static), Gi0/2(dynamic)

```

### iS5Comm# show ip igmp snooping multicast-receivers

```

Snooping Receiver Information

VLAN ID: 1 Group Address: 225.0.0.10
Receiver Port: Gi0/2
Attached Hosts: 12.0.0.10
Exclude Sources: None
VLAN ID: 1 Group Address: 225.0.0.20
Receiver Port: Gi0/2
Attached Hosts: 12.0.0.20
Include Sources: 14.0.0.10
Receiver Port: Gi0/4
Attached Hosts: 12.0.0.40

```

Include Sources: 14.0.0.20

iS5Comm# show ip igmp snooping multicast-vlan

Multicast VLAN Statistics

=====

-----

Multicast VLAN disabled

Profile ID -- Multicast VLAN

-----

|   |    |   |
|---|----|---|
| 1 | -- | 1 |
| 2 | -- | 2 |

-----

iS5Comm# show ip igmp snooping port-cfg

Snooping Port Configurations

-----

Snooping Port Configuration for Port 2

Leave Process mode is Normal Leave

Rate limit on the interface is 100

Max limit Type is Groups

Max limit is 20

Current member count is 0

Profile Id is 0

Snooping Port Configuration for Port 3

Leave Process mode is Fast Leave

Rate limit on the interface is -1

Max limit Type is Channels

Max limit is 500

Current member count is 0

Profile Id is 0

iS5Comm# show ip igmp snooping statistics

IGMP Snooping Statistics for VLAN 1

IGMP Snooping General queries received : 3

IGMP Snooping Group specific queries received : 0

IGMP Snooping Group and source specific queries received : 0

IGMP Snooping V1/V2 reports received : 10

IGMP Snooping V3 reports received : 0

IGMP Snooping V3 IS\_INCLUDE messages received : 0

IGMP Snooping V3 IS\_EXCLUDE messages received : 0

IGMP Snooping V3 TO\_INCLUDE messages received : 0

IGMP Snooping V3 TO\_EXCLUDE messages received : 0

IGMP Snooping V3 ALLOW messages received : 0



```
IGMP Snooping V3 Block messages received : 0
IGMP Snooping V2 Leave messages received : 0
IGMP Snooping General queries transmitted : 0
IGMP Snooping Group specific queries transmitted : 2
IGMP Snooping V1/V2 reports transmitted : 0
IGMP Snooping V3 reports transmitted : 3
IGMP Snooping V2 leaves transmitted : 0
IGMP Snooping Packets dropped : 1
```

#### iS5Comm# show ip igmp snooping vlan 1

```
Snooping VLAN Configuration for the VLAN 1
 IGMP Snooping enabled IGMP configured version is V3
 Fast leave is disabled
 Snooping switch is acting as Non-Querier
 Query interval is 125 seconds
 Port Purge Interval is 260 seconds
 Max Response Code is 100, Time is 10 seconds
```

#### iS5Comm# show ip igmp snooping

**NOTE:** If a switch is not configured as querier, it will neither send any query, nor will participate in querier election. Hence Elected querier IP is not shown for "Non-querier" switch. Examples of both will be shown with some text put in bold to highlight the differences.

This text below is from a switch which has been configured as a querier.

```
Snooping VLAN Configuration for the VLAN 1
 IGMP Snooping enabled
 IGMP configured version is V3
 Fast leave is disabled
Snooping switch is configured as Querier
 Snooping switch is acting as Querier
Elected Querier is 192.168.10.2
 Startup Query Count is 2
 Startup Query Interval is 31 seconds
 Query interval is 125 seconds
 Other Querier Present Interval is 255 seconds
 Port Purge Interval is 260 seconds
 Max Response Code is 100, Time is 10 seconds
```

This text below is from a switch which has been configured as a Non-querier.

```
Snooping VLAN Configuration for the VLAN 1
 IGMP Snooping enabled
 IGMP configured version is V3
 Fast leave is disabled
Snooping switch is configured as Non-Querier
```

```
Snooping switch is acting as Non-Querier
Elected Querier is 0.0.0.0
Startup Query Count is 2
Startup Query Interval is 31 seconds
Query interval is 125 seconds
Other Querier Present Interval is 255 seconds
Port Purge Interval is 260 seconds
Max Response Code is 100, Time is 10 seconds
```

## 27.9. shutdown snooping

To shut down snooping in the switch, use the command **shutdown snooping** in Global Configuration Mode. When you don't require the *IGMP* snooping module to be running, it can be shut down. When shut down, all resources acquired by the Snooping Module are released to the system. For the *IGS* feature to be functional on the switch, the 'system-control' status must be set as 'start' and the 'state' must be 'enabled.' The no form of the command starts and enables IGS snooping in the switch.

### shutdown snooping

```
shutdown snooping
```

### no shutdown snooping

```
no shutdown snooping
```

### Mode

Global Configuration Mode

### Default

Snooping is enabled

### Prerequisites

Snooping cannot be started in the switch, if the base bridge mode is configured as transparent bridging.

### Examples

```
iS5Comm(config)# shutdown snooping
```

## 27.10. snooping leave-process

To specify the level of configuring the leave processing mechanisms, use the command **snooping leave-process** in Global Configuration Mode.

### snooping leave-process

```
snooping leave-process config-level {vlan | port}
```

### Parameters

| Parameter    | Type | Description                                                                                                                                                                                                                                                                                                                                                                     |
|--------------|------|---------------------------------------------------------------------------------------------------------------------------------------------------------------------------------------------------------------------------------------------------------------------------------------------------------------------------------------------------------------------------------|
| config-level |      | Enter to specify the level of configuring the leave processing mechanisms. When the switch intercepts a leave group message on a switch port, it normally sends a query to that multicast group through the same switch port. If no hosts respond to the query and no multicast routers have been discovered on the switch port, that port is removed from the multicast group. |
| vlan         |      | Enter to configure leave processing mechanisms at VLAN level. In VLAN-based leave processing mode, the fast leave functionality configurable per VLAN, or normal leave configurations are available for processing leave messages.                                                                                                                                              |
| port         |      | Enter to configure the leave processing mechanisms at interface level. In Port-based leave processing mode, the explicit host tracking functionality, the fast leave functionality, or normal leave configurable on an interface are used for processing the leave messages                                                                                                     |

### Mode

Global Configuration Mode

### Default

vlan

### Examples

```
iS5Comm(config)# snooping leave-process config-level port
```

## 27.11. snooping report-process

To set the level of configuring the report processing mechanisms, use the command **snooping report-process** in Global Configuration Mode.

### snooping report-process

```
snooping report-process config-level {non-router-ports | all-ports}
```

### Parameters

| Parameter        | Type | Description                                                                                                                                                                           |
|------------------|------|---------------------------------------------------------------------------------------------------------------------------------------------------------------------------------------|
| config-level     |      | Enter to set the level of configuring the report processing mechanisms. The report processing mechanism configuration can be set to non-router ports or all ports.                    |
| non-router-ports |      | Enter to configure that the incoming report messages are processed only in the non-router ports. Report message received on the router ports are not processed in this configuration. |
| all-ports        |      | Enter to configure that the incoming report messages are processed in all ports inclusive of router ports.                                                                            |

### Mode

Global Configuration Mode

### Default

non-router-ports

### Examples

```
iS5Comm(config)# snooping report-process config-level all-ports
```

# RMON

## 28. RMON

*RMON* (Remote Monitoring) is a standard monitoring specification that enables various network monitors and console systems to exchange network-monitoring data.

The *RMON* specification defines a set of statistics and functions that can be exchanged between *RMON*-compliant console managers and network probes. As such, *RMON* provides network administrators with comprehensive network-fault diagnosis, planning, and performance-tuning information.

### 28.1. rmon alarm

To set an alarm on a *MIB* object, use the command **rmon alarm** in Global Configuration Mode. The `no` form of the command deletes the alarm configured on the *MIB* object. The Alarm group periodically takes statistical samples from variables in the probe and compares them to thresholds that have been configured.

#### **rmon alarm**

```
rmon alarm <alarm number (1-65535)> <mib-object-id (255)>
<sample-interval-time (1-65535)>
 {absolute | delta} rising-threshold <value (0-2147483647)>
<rising-event-number (1-655350)>
 falling-threshold <value (0-2147483647)> [<falling-event-number (1-65535)>]
 [owner <ownername (127)>]
```

#### **no rmon alarm**

```
no rmon alarm <alarm number (1-65535)>
```

## Parameters

| Parameter                        | Type    | Description                                                                                                                                                                                                                                                                                                                                                                                                                                                                                      |
|----------------------------------|---------|--------------------------------------------------------------------------------------------------------------------------------------------------------------------------------------------------------------------------------------------------------------------------------------------------------------------------------------------------------------------------------------------------------------------------------------------------------------------------------------------------|
| <alarm number (1-65535)>         | Integer | Enter a value for the statistic during the last sampling period. This value remains available until the current sampling period is completed. For example, if the sample type is deltaValue, this value will be the difference between the samples at the beginning and end of the period. If the sample type is absoluteValue, this value will be the sampled value at the end of the period. This value is compared with the rising and falling thresholds. This value ranges from 1 to 65535. |
| <mib-object-id (255)>            |         | Enter a value for the MIB object.                                                                                                                                                                                                                                                                                                                                                                                                                                                                |
| <sample-interval-time (1-65535)> | Integer | Enter a value for an entry in the alarm table. Each such entry defines a diagnostic sample at a particular level for a MIB object in the device. This value ranges from 1 to 65535 seconds.                                                                                                                                                                                                                                                                                                      |
| absolute                         |         | Enter to configure comparison of the value of the selected variable with the thresholds at the end of the sampling interval.                                                                                                                                                                                                                                                                                                                                                                     |
| delta                            |         | Enter to configure subtracting of the value of the selected variable at the last sample from the current value, and the difference is compared with the thresholds at the end of the sampling interval                                                                                                                                                                                                                                                                                           |
| rising-threshold                 |         | Enter to configure the rising threshold value. If the startup alarm is set as Rising alarm or RisingOrFalling alarm and if the configured threshold value is reached, then an alarm is raised. When the current sampled value is greater than or equal to the configured Rising threshold, and the value at the last sampling interval is less than this configured threshold, a single event will be generated                                                                                  |
| <value (0 - 2147483647)>         | Integer | Enter a value for the rising threshold. This value ranges from 0 to 2147483647.                                                                                                                                                                                                                                                                                                                                                                                                                  |
| <rising-event-number (1-655350)> | Integer | Enter a value to raise the index of the event, when the Rising threshold is reached. The event entry identified by a particular value of this index is the same as identified by the same value of the event index object. This value ranges from 1 to 65535.                                                                                                                                                                                                                                    |
| falling-threshold                |         | Enter to configure the falling threshold value. If the startup alarm is set as Falling alarm or RisingOrFalling alarm and if the configured threshold value is reached, then an alarm is raised. When the current sampled value is lesser than or equal to the configured Falling threshold, and the value at the last sampling interval is greater than this threshold, a single event will be generated.                                                                                       |

| Parameter                         | Type    | Description                                                                                                                                                                                                                      |
|-----------------------------------|---------|----------------------------------------------------------------------------------------------------------------------------------------------------------------------------------------------------------------------------------|
| <value (0 - 2147483647) >         | Integer | Enter a value for the falling threshold value. This value ranges from 0 to 2147483647.                                                                                                                                           |
| <falling-event-number (1-65535) > | Integer | Enter to configure raising of the index of the event when the Falling threshold is reached. The event entry identified by a particular value of this index is the same as identified by the same value of the event index object |
| owner                             |         | Enter for Alarm owner configuration.                                                                                                                                                                                             |
| <ownername (127) >                |         | Enter a value for the owner's name.                                                                                                                                                                                              |

## Mode

Global Configuration Mode

## Default

By default, the least event number in the event table is assigned for the rising and falling threshold as its event number.

## Prerequisites

- RMON events must have been configured
- RMON collection stats must be configured
- we cannot monitor all mib objects through RMON. This will be applicable only to the Ethernet interfaces and VLANs

## Examples

```
iS5Comm(config)# rmon alarm 1 1.3.6.1.2.1.16.1.1.1.5.2 1 delta rising-threshold 2 falling-threshold 1
```

## 28.2. rmon collection

To enable *RMON* history collection of interface/ *VLAN* statistics in the buckets for the specified time interval or statistic collection on the interface / *VLAN*, use the command **rmon collection** in Interface Configuration Mode / Config *VLAN* Mode. The no form of the command disables history and statistics collection on the interface/ *VLAN*.

**rmon collection**

```
rmon collection {history <index (1-65535)> [buckets <bucket-number
(1-65535)>] [interval <seconds (1-3600)>] [owner <ownername (127)>]
| stats <index (1-65535)> [owner <ownername (127)>]}
```

**no rmon collection**

```
no rmon collection {history <index (1-65535)> | stats <index (1-65535)>
```



## Parameters

| Parameter                    | Type    | Description                                                                                                                                                                                                                                                                                                                                                                          |
|------------------------------|---------|--------------------------------------------------------------------------------------------------------------------------------------------------------------------------------------------------------------------------------------------------------------------------------------------------------------------------------------------------------------------------------------|
| history                      |         | Enter to enable history collection of interface/ VLAN statistics in the buckets for the specified time interval.<br><b>NOTE:</b> In Config VLAN Mode, this command executes only if either VLAN is set as active or if the member ports are associated with the VLAN.                                                                                                                |
| <index<br>(1-65535)>         | Integer | Enter a value for the entry in the history control table. Each such entry defines a set of samples at a particular interval for an interface on the device. This value ranges from 1 to 65535.                                                                                                                                                                                       |
| buckets                      |         | Enter to configure the maximum number of buckets desired for the RMON collection history group of statistics. This is the requested number of discrete time intervals over which data is to be saved in the part of the media-specific table associated with this History Control Entry. The polling cycle is the bucket interval where the interface statistics details are stored. |
| <bucket-number<br>(1-65535)> | Integer | Enter a value for the maximum number of buckets desired for the RMON collection history group of statistics. This value ranges from 1 to 65535. The default is 50.                                                                                                                                                                                                                   |
| interval                     |         | Enter to configure the time interval over which the data is sampled for each bucket. This value ranges from 1 to 3600. The default is 1800 seconds.                                                                                                                                                                                                                                  |
| <seconds<br>(1-3600)>        | Integer | Enter a value for the time interval over which the data is sampled for each bucket. This value ranges from 1 to 3600.                                                                                                                                                                                                                                                                |
| owner                        |         | Enter to configure the name of the owner of the RMON group of statistics.                                                                                                                                                                                                                                                                                                            |
| <ownername<br>(127)>         |         | Enter a value for the name of the owner of the RMON group of statistics.                                                                                                                                                                                                                                                                                                             |
| stats                        |         | Enter to enable RMON statistic collection on the interface/ VLAN.                                                                                                                                                                                                                                                                                                                    |
| <index<br>(1-65535)>         | Integer | Enter a value for the entry in the statistics table. This value ranges from 1 to 65535.                                                                                                                                                                                                                                                                                              |
| owner                        |         | Enter to configure the name of the owner of the RMON group of statistics.                                                                                                                                                                                                                                                                                                            |
| <ownername<br>(127)>         |         | Enter a value for the name of the owner of the RMON group of statistics.                                                                                                                                                                                                                                                                                                             |

## Mode

---

Interface Configuration Mode / Config VLAN Mode

## Examples

```
iS5Comm(config-if)# rmon collection history 1 buckets 2 interval 20
```

```
iS5Comm(config-if)# rmon collection stats 1
```

```
iS5Comm(config) vlan 1
```

```
iS5Comm(config-vlan) rmon collection history 2
```

```
iS5Comm(config-vlan) rmon collection stats 2
```

## 28.3. rmon event

To add an event to the *RMON* event table, use the command **rmon event** in Global Configuration Mode. The **no** form of the command deletes an event from the *RMON* event table. The added event is associated with an *RMON* event number.

### rmon event

```
rmon event <number (1-65535)> [description <event-description (127)>] [log]
[owner <ownername (127)>] [trap <community (127)>]
```

### no rmon event

```
no rmon event <number (1-65535)>
```

## Parameters

| Parameter                    | Type    | Description                                                                                               |
|------------------------------|---------|-----------------------------------------------------------------------------------------------------------|
| <number<br>(1-65535)>        | Integer | Enter a value for the number of events to be added in the event table. This value ranges from 1 to 65535. |
| description                  |         | Enter to configure a description for the event.                                                           |
| <event-description<br>(127)> |         | Enter a value for a description for the event. This value is a string with a maximum length of 127.       |
| log                          | Integer | Enter to create an entry in the log table for each event.                                                 |
| owner                        |         | Enter for event owner configuration.                                                                      |
| <ownername<br>(127)>         | Integer | Enter a value for the owner name. This value is a string with a maximum value of 127.                     |
| trap                         |         | Enter to generate a trap. The SNMP community string is to be passed for the specified trap.               |
| <community<br>(127)>         |         | Enter a value for the SNMP community string. This value is a string with a maximum value of 127.          |

## Mode

Global Configuration Mode

## Examples

```
iS5Comm(config)# rmon event 1 log owner ownername trap netman
```

## 28.4. set rmon

To enable or disable the *RMON* feature, use the command **set rmon** in Global Configuration Mode.

### set rmon

```
set rmon {disable | enable}
```

## Parameters

| Parameter | Type | Description                                                                                                                                                    |
|-----------|------|----------------------------------------------------------------------------------------------------------------------------------------------------------------|
| disable   |      | Enter to disable the RMON feature in the system. Upon disabling, the RMON's network monitoring is called off. This is default.                                 |
| enable    |      | Enter to enable the RMON feature in the system. Upon enabling, the RMON starts monitoring both local and remote networks and provides network fault diagnosis. |

## Mode

Global Configuration Mode

## Default

disable

## Examples

```
iS5Comm(config)# set rmon enable
```

## 28.5. show rmon

To display the *RMON* statistics, alarms, events, and history configured on the interface, use the command **show rmon** in Privileged EXEC Mode.

### show rmon

```
show rmon [statistics [<stats-index (1-65535)>]] [alarms] [events] [history
[<history-index (1-65535)>] [overview]]
```

## Parameters

| Parameter                        | Type    | Description                                                                                                                                                                                                                                                              |
|----------------------------------|---------|--------------------------------------------------------------------------------------------------------------------------------------------------------------------------------------------------------------------------------------------------------------------------|
| statistics                       |         | Enter to specify a collection of statistics for a particular Ethernet Interface. to be displayed.                                                                                                                                                                        |
| <stats-index<br>(1-65535)>       | Integer | Enter a value for the a collection of statistics for a particular Ethernet Interface to be displayed.                                                                                                                                                                    |
| alarms                           |         | Enter to specify the value of the statistic during the last sampling period to be displayed. This value remains available until the current sampling period is completed.                                                                                                |
| events                           |         | Enter to generate events whenever an associated condition takes place in the device to be displayed. The Conditions may be alarms. Alarms are generated when a sampled statistical variable value exceeds the defined threshold value. Alarm module calls events module. |
| history                          |         | Enter to specify the history of the configured RMON to be displayed.                                                                                                                                                                                                     |
| <history-ind<br>ex<br>(1-65535)> | Integer | Enter a value for the history of the configured RMON to be displayed.                                                                                                                                                                                                    |
| overview                         |         | Enter to specify only the overview of RMON history entries to be displayed.                                                                                                                                                                                              |

## Mode

Privileged EXEC Mode

## Examples

iS5Comm# show rmon statistics

```

RMON is enabled
Collection 1 on Gi0/1 is active, and owned by monitor,
Monitors ifEntry.1.1 which has
Received 0 octets,0 packets,
0 broadcast and 0 multicast packets,
0 undersized and 0 oversized packets,
0 fragments and 0 jabbers,
0 CRC alignment errors and 0 collisions.
0 out FCS errors and 0 Drop events,

```

```
of packets received of length (in octets):
64: 0, 65-127: 0, 128-255: 0,
256-511: 0, 512-1023: 0, 1024-1518: 0, 1519-1522: 0
Collection 2 on Vlan 1 is active, and owned by monitor,
Monitors Vlan 1 which has
Received 0 octets, 0 packets,
0 broadcast and 0 multicast packets,
0 undersized and 0 oversized packets,
0 fragments and 0 jabbers,
0 CRC alignment errors and 0 collisions.
0 out FCS errors and 0 Drop events,
of packets received of length (in octets):
64: 0, 65-127: 0, 128-255: 0,
256-511: 0, 512-1023: 0, 1024-1518: 0,
1519-1522: 0
Number of statistics collection on interface: 1
Number of statistics collection on Vlan : 1
```

#### iS5Comm# show rmon

```
RMON is enable
```

#### iS5Comm# show rmon history

```
RMON is disabled
Entry 1 is active, and owned by monitor
Monitors ifEntry.1.2 every 1800 second(s)
Requested # of time intervals, i.e. buckets, is 50,
Granted # of time intervals, i.e. buckets, is 50,Entry 4 is active,
and owned by monitor
Monitors Vlan 40 every 1800 second(s)
Requested # of time intervals, i.e. buckets, is 50,
Granted # of time intervals, i.e. buckets, is 50,
Number of history collection on interface: 1
Number of history collection on Vlan : 1
```

#### iS5Comm# show rmon event

```
RMON is enabled
Entry 1 is active, and owned by monitor
Monitors ifEntry.1.1 every 20 second(s)
Requested # of time intervals, i.e. buckets, is 2,
Granted # of time intervals, i.e. buckets, is 2,
Sample 16 began measuring at Jun 5 21:46:34 2019
Received 0 octets, 0 packets,
0 broadcast and 0 multicast packets,
```

```
0 undersized and 0 oversized packets,
0 fragments and 0 jabbers,
0 CRC alignment errors and 0 collisions,
of dropped packet events is 0
Network utilization is estimated at 0
Sample 17 began measuring at Jun 5 21:46:54 2019
Received 0 octets, 0 packets,
0 broadcast and 0 multicast packets,
0 undersized and 0 oversized packets,
0 fragments and 0 jabbers,
0 CRC alignment errors and 0 collisions,
of dropped packet events is 0
Network utilization is estimated at 0
Number of history collection on interface: 1
```

**iS5Comm# show rmon alarms**

```
RMON is enabled
Alarm 1 is active, owned by
Monitors 1.3.6.1.2.1.16.1.1.1.5.2 every 1 second(s)
Taking delta samples, last value was 0
Rising threshold is 2, assigned to event 1
Falling threshold is 1, assigned to event 1
On startup enable rising or falling alarm
```

**iS5Comm# show rmon statistics 2 alarms events history 1**

```
RMON is enabled
Collection 2 on Vlan 1 is active, and owned by monitor,
Monitors Vlan 1 which has
Received 0 octets, 0 packets,
0 broadcast and 0 multicast packets,
0 undersized and 0 oversized packets,
0 fragments and 0 jabbers,
0 CRC alignment errors and 0 collisions.
0 out FCS errors and 0 Drop events,
of packets received of length (in octets):
64: 0, 65-127: 0, 128-255: 0, 256-511: 0,
512-1023: 0, 1024-1518: 0, 1519-1522: 0
Alarm table is empty
Event table is empty
Entry 1 is active, and owned by monitor
Monitors ifEntry.1.1 every 20 second(s)
Requested # of time intervals, i.e. buckets, is 2,
```

```
Granted # of time intervals, i.e. buckets, is 2,
Sample 20 began measuring at Jun 5 21:47:55 2019
 Received 0 octets, 0 packets,
 0 broadcast and 0 multicast packets,
 0 undersized and 0 oversized packets,
 0 fragments and 0 jabbers,
 0 CRC alignment errors and 0 collisions,
 # of dropped packet events is 0
 Network utilization is estimated at 0
Sample 21 began measuring at Jun 5 21:48:15 2019
 Received 0 octets, 0 packets,
 0 broadcast and 0 multicast packets
, 0 undersized and 0 oversized packets,
 0 fragments and 0 jabbers,
 0 CRC alignment errors and 0 collisions,
 # of dropped packet events is 0
 Network utilization is estimated at 0
```

**iS5Comm# show rmon history overview**

```
RMON is enabled
Entry 1 is active, and owned by monitor
 Monitors ifEntry.1.1 every 20 second(s)
 Requested # of time intervals, i.e. buckets, is 2,
 Granted # of time intervals, i.e. buckets, is 2,
 Number of history collection on interface: 1
```



# QoS

## 29. QoS

QoS (Quality of Service) defines the ability to provide different priorities to different applications, users or data flows or the ability to guarantee a certain level of performance to a data flow. QoS refers to resource reservation control mechanisms rather than the achieved service quality and specifies a guaranteed throughput level.

QoS provides a complete Quality of Service solution across VPNs and helps in implementing service provisioning policies for application or customers, who desire to have an enhanced performance for their traffic on the Internet.

### 29.1. class-map

To add a class-map entry, use the command **class-map** in Global Configuration Mode. The **no** form of the command deletes a class map entry.

#### class-map

```
class-map <class-map-Id(1-65535)>
```

#### no class-map

```
no class-map <class-map-Id(1-65535)>
```

#### Parameters

| Parameter                   | Type    | Description                                                                                                                                                 |
|-----------------------------|---------|-------------------------------------------------------------------------------------------------------------------------------------------------------------|
| <class-map-Id<br>(1-65535)> | Integer | Enter a value for a priority map entry. It configures an index that enumerates the Multi Field Classifier table entries. This value ranges from 1 to 65535. |

#### Mode

Global Configuration Mode

## Prerequisites

- This command executes only if QoS is started in the system.

## Examples

```
iS5Comm(config)# class-map 1
iS5Comm(config-cls-map)#
```

## 29.2. clear meter-stats

To clear the meter statistics counter, use the command **clear meter-stats** in Privileged EXEC Mode.

### clear meter-stats

```
clear meter-stats [meter-id [<integer (1-65535)>]]
```

### Parameters

| Parameter           | Type    | Description                                                                                      |
|---------------------|---------|--------------------------------------------------------------------------------------------------|
| meter-id            |         | Enter to specify an index that enumerates the meter entries.                                     |
| <integer (1-65535)> | Integer | Enter a value for the index that enumerates the meter entries. The value ranges from 1 to 65535. |

### Mode

Privileged EXEC Mode

### Prerequisites

To clear meter statistics for a specific meter-id, a Meter id and a policy map related configuration should be already created.

### Examples

```
iS5Comm# clear meter-stats meter-id 1
```

## 29.3. debug qos

To set the debug levels for *QoS* module, use the command **debug qos** in Privileged EXEC Mode. The no form of the command resets the debug level for *QoS* module.

### debug qos

```
debug qos {initshut | mgmt | ctrl | dump | os | failall | buffer}
```

### no debug qos

```
no debug qos {initshut | mgmt | ctrl | dump | os | failall | buffer}
```

### Parameters

| Parameter | Type | Description                                                                            |
|-----------|------|----------------------------------------------------------------------------------------|
| initshut  |      | Enter to generate debug statements for Init and shutdown traces.                       |
| mgmt      |      | Enter to generate debug statements for Management traces.                              |
| ctrl      |      | Enter to generate debug statements for Control plane traces.                           |
| dump      |      | Enter to generate debug statements for Packet dump traces.                             |
| os        |      | Enter to generate debug statements for traces related to all resources except buffers. |
| failall   |      | Enter to generate debug statements for all failure traces.                             |
| buffer    |      | Enter to generate debug statements for buffer allocation / release traces.             |

### Mode

Privileged EXEC Mode

### Examples

```
iS5Comm# debug qos initshut
```

## 29.4. map

To add a priority map entry for mapping an incoming priority to a regenerated priority, use the command **map** in Priority Map Configuration Mode. The no form of the command sets a default value for the Interface, *VLAN*, and regenerated inner priority.

**map**

```
map {interface <iftype> <ifnum> | in-priority-type {vlanPri | dot1P
<integer(0-1)> | ipDscp} in-priority <integer(0-63)> regen-priority
<integer(0-63)> [regen-color {green | yellow | red}]}
```

**no map**

```
no map {interface | vlan | regen-inner-priority}
```

## Parameters

| Parameter                          | Type    | Description                                                                                                                                                                                                                                                                                                                                                                                                                   |
|------------------------------------|---------|-------------------------------------------------------------------------------------------------------------------------------------------------------------------------------------------------------------------------------------------------------------------------------------------------------------------------------------------------------------------------------------------------------------------------------|
| <code>interface</code>             |         | Enter to configure type of interface for the outbound queue.                                                                                                                                                                                                                                                                                                                                                                  |
| <code>&lt;iftype&gt;</code>        |         | Enter to configure an interface type. Supports everything except port-channel. The options are: <ul style="list-style-type: none"> <li>gigabitethernet – A version of LAN standard architecture that supports data transfer up to 1 Gigabit per second.</li> <li>extreme-ethernet – A version of Ethernet that supports data transfer up to 10 Gigabits per second. This Ethernet supports only full duplex links.</li> </ul> |
| <code>&lt;ifnum&gt;</code>         |         | Enter to configure the type of interface for the outbound queue. This is a unique value that represents the specific interface. This value is a combination of slot number and port number separated by a slash, for interface type other than internal-lan and port-channel. Only i-lan id is provided, for interface types internal-lan.                                                                                    |
| <code>in-priority-type</code>      |         | Enter to configure the incoming priority type for the specified interface.                                                                                                                                                                                                                                                                                                                                                    |
| <code>vlanPri</code>               |         | Enter to set the priority type to VLAN Priority. vlan - 0. This is default.                                                                                                                                                                                                                                                                                                                                                   |
| <code>dot1P</code>                 |         | Enter to configure VLAN Drop Eligibility Indicator.                                                                                                                                                                                                                                                                                                                                                                           |
| <code>&lt;integer(0-1)&gt;</code>  | Integer | Enter a value for the VLAN Drop Eligibility Indicator. This value ranges from 0 to 1.                                                                                                                                                                                                                                                                                                                                         |
| <code>ipDscp</code>                |         | Enter to set the priority type to IP Differentiated Services Code Point                                                                                                                                                                                                                                                                                                                                                       |
| <code>in-priority</code>           |         | Enter to configure the Incoming priority value determined for the received frame. Incoming priority value determined for the received frame.(0-63) range is split into (0-7) for vlanPri, (0-63) for ipDscp.                                                                                                                                                                                                                  |
| <code>&lt;integer(0-63)&gt;</code> | Integer | Enter a value for the Incoming priority value determined for the received frame. This value ranges from 0 to 63. The default is 1.                                                                                                                                                                                                                                                                                            |
| <code>regen-priority</code>        |         | Enter to configure regenerated priority value determined for the received frame.                                                                                                                                                                                                                                                                                                                                              |
| <code>&lt;integer(0-63)&gt;</code> | Integer | Enter a value for regenerated priority value determined for the received frame. This value ranges from 0 to 63. The default is 0.                                                                                                                                                                                                                                                                                             |

| Parameter   | Type | Description                                           |
|-------------|------|-------------------------------------------------------|
| regen-color |      | Enter to configure the type of the regenerated color. |
| green       |      | Enter to indicate Conform Action.                     |
| yellow      |      | Enter to indicate Exceed Action                       |
| red         |      | Enter to indicate Violate Action.                     |

## Mode

Priority Map Configuration Mode

## Prerequisites

Priority Map entry must be created.

## Examples

```
iS5Comm(config)# priority-map 1
```

```
iS5Comm(config-pri-map)# map interface gi 0/1 in-priority-type vlanPri in-priority 0 regen-priority 7
```

## 29.5. match access-group

To sets class map parameters using L2 and/or L3 access control list ( *ACL*) or priority map ID, use the command **match access-group** in Class Map Configuration Mode.

### match access-group

```
match access-group mac-access-list <integer(0-65535)> | ip-access-list
<integer(1-65535)> | priority-map <integer(0-65535)>
```

## Parameters

| Parameter            | Type    | Description                                                                                                                                              |
|----------------------|---------|----------------------------------------------------------------------------------------------------------------------------------------------------------|
| mac-access-list      |         | Enter to configure identifier of the MAC filter                                                                                                          |
| <integer (0-65535 )> | Integer | Enter a value for the Identifier of the MAC filter. This value ranges from 0 to 65535. The default is 0.                                                 |
| ip-access-list       |         | Enter to configure the identifier of the IP filter.                                                                                                      |
| <integer (0-65535 )> | Integer | Enter a value for the identifier of the IP filter. This value ranges from 1 to 65535. The default is 0                                                   |
| priority-map         |         | Enter to configure the priority map identifier for mapping incoming priority against received packet.                                                    |
| <integer (0-65535 )> | Integer | Enter a value for the priority map identifier for mapping incoming priority against received packet. This value ranges from 1 to 65535. The default is 0 |

## Mode

Class Map Configuration Mode

## Examples

```
iS5Comm(config)# class-map 1
```

```
iS5Comm(config-cls-map)# match access-group priority-map 1
```

## 29.6. meter

To create a meter, use the command **meter** in Global Configuration Mode. The no form of the command deletes a meter.

### meter

```
meter <meter-Id(1-1000)>
```

### no meter

```
no meter <meter-Id(1-1000)>
```

## Parameters

| Parameter                             | Type    | Description                                                                                                        |
|---------------------------------------|---------|--------------------------------------------------------------------------------------------------------------------|
| <code>&lt;meter-Id(1-1000)&gt;</code> | Integer | Enter a value for meter. Configures an Index that enumerates the meter entries. This value ranges from 1 to 65535. |

## Mode

Global Configuration Mode

## Prerequisites

- This command executes only if QoS is started in the system.

## Examples

```
iS5Comm(config)# meter 1
iS5Comm(config-meter)#
```

## 29.7. meter-type

To set meter parameters *CIR*, *CBS*, *EIR*, *EBS*, meter type, and color awareness, use the command **meter-type** in Meter Configuration Mode.

### meter-type

```
meter-type {srTCM | trTCM} [color-mode {aware | blind}] [cir
<integer(0-10485760)>] [cbs <integer(0-10485760)>] [eir
<integer(0-10485760)>] [ebs <integer(0-10485760)>]
```



## Parameters

| Parameter                | Type    | Description                                                                                                                                                             |
|--------------------------|---------|-------------------------------------------------------------------------------------------------------------------------------------------------------------------------|
| srTCM                    |         | Enter to configure the meter type as single rate three color marker (srTCM) metering as defined by RFC 2697. Valid parameters supported are cir, cbs, and ebs.          |
| trTCM                    |         | Enter to configure the meter type as two rate three color marker (trTCM) metering as defined by RFC 2698. Valid values for given meter type are CIR, CBS, EIR, and EBS. |
| color-mode               |         | Enter to configure the color mode of the meter.                                                                                                                         |
| aware                    |         | Enter to indicate that the meter considers the pre-color of the packet.                                                                                                 |
| blind                    |         | Enter to indicate that the meter ignores the pre-color of the packet. This is the default.                                                                              |
| cir                      |         | Enter to configure the committed information rate (cir). Cir should be less than excess information rate (eir).                                                         |
| <integer (0 -10485760) > | Integer | Enter a value for the committed information rate. This value ranges from 0 to 10485760.                                                                                 |
| cbs                      |         | Enter to configure the committed burst size (cbs).                                                                                                                      |
| <integer (0 -10485760) > | Integer | Enter a value for the he committed burst size. This value ranges from 0 to 10485760.                                                                                    |
| eir                      |         | Enter to configure the excess information rate (eir).                                                                                                                   |
| <integer (0 -10485760) > | Integer | Enter a value for the excess information rate. This value ranges from 0 to 10485760.                                                                                    |
| ebs                      |         | Enter to configure the excess burst size (ebs).                                                                                                                         |
| <integer (0 -10485760) > | Integer | Enter a value for the excess burst size. This value ranges from 0 to 10485760.                                                                                          |

## Mode

## Meter Configuration Mode

### Prerequisites

Meter should have been created.

### Examples

```
iS5Comm(config)# meter 1
```

```
iS5Comm(config-meter)# meter-type srTCM cir 20 cbs 20 ebs 20
```

## 29.8. mls qos

To enable multilayer security (MLS) QoS, define an aggregate policer, and configure the policer parameters, use the command **mls qos** in Global Configuration Mode. This command is a standardized implementation of the existing command “set meter” and operates similarly. The no form of the command disables the multilayer security QoS.

### mls qos

```
mls qos [aggregate-policer [<meter-id (1-65535)>] [<Bits per
second(1-65535)>] [<Normal burst bytes(1-65535)>] exceed-action {drop |
set-ip-dscp-transmit}]
```

### no mls qos

```
no mls qos
```

## Parameters

| Parameter                     | Type    | Description                                                                                                                     |
|-------------------------------|---------|---------------------------------------------------------------------------------------------------------------------------------|
| aggregate-policer             |         | Enter to configure the meter table identifier which is the index for the meter table.                                           |
| <meter-id(1-65535)>           | Integer | Enter a value for the meter table identifier. The value ranges from 1 to 65535.                                                 |
| <Bits per second(1-65535)>    | Integer | Enter a value for the average traffic rate in bits per second. This value ranges from 1 to 65535.                               |
| <Normal burst bytes(1-65535)> | Integer | Enter a value for the normal burst size in bytes. The value ranges from 1 to 65535.                                             |
| exceed-action                 |         | Enter to configure the action to be performed on the packet, when the packets are found to be In profile (exceed).              |
| drop                          |         | Enter to configure dropping of the packet.                                                                                      |
| set-ip-dscp-transmit          |         | Enter to configure to change the (Differentiated Services Code Point) DSCP of the packet to that specified in policed DSCP map. |

## Mode

Global Configuration Mode

## Examples

```
iS5Comm(config)# mls qos
```

```
iS5Comm(config)# mls qos aggregate-policer 1 10 10 exceed-action drop
```

## 29.9. policy-map

To create a policy map, use the command **priority-map** in Global Configuration Mode. The no form of the command deletes a policy map.

### policy-map

```
policy-map <policy-map-Id(1-65535)>
```

**no policy-map**

```
no policy-map <policy-map-Id(1-65535)>
```

**Parameters**

| Parameter                    | Type    | Description                                                                                                                           |
|------------------------------|---------|---------------------------------------------------------------------------------------------------------------------------------------|
| <policy-map-Id<br>(1-65535)> | Integer | Enter a value for a priority. It configures an index that enumerates the policy-map table entries. This value ranges from 1 to 65535. |

**Mode**

Global Configuration Mode

**Prerequisites**

- This command executes only if QoS is started in the system.

**Examples**

```
iS5Comm(config)# policy-map 1
```

```
iS5Comm(config-ply-map)#
```

**29.10. priority-map**

To add a priority map entry, use the command **priority-map** in Global Configuration Mode. The no form of the command deletes a priority map entry.

**priority-map**

```
priority-map <priority-map-Id(1-65535)>
```

**no priority-map**

```
no priority-map <priority-map-Id(1-65535)>
```

## Parameters

| Parameter                                      | Type    | Description                                                                                                                                                                                                |
|------------------------------------------------|---------|------------------------------------------------------------------------------------------------------------------------------------------------------------------------------------------------------------|
| <code>&lt;priority-map -Id(1-65535)&gt;</code> | Integer | Enter a value for a priority map entry. It configures the priority map index for the incoming packets received over ingress Port/VLAN with specified incoming priority. This value ranges from 1 to 65535. |

## Mode

Global Configuration Mode

## Prerequisites

- This command executes only if QoS is started in the system.

## Examples

```
iS5Comm(config)# priority-map 1
iS5Comm(config-pri-map)#
```

## 29.11. qos pbit-preference

To set pbit preference value, use the command **qos pbit-preference** in Interface Configuration Mode.

### qos pbit-preference

```
qos pbit-preference {disable | enable}
```

## Parameters

| Parameter            | Type | Description                                                                                                                                                                                                  |
|----------------------|------|--------------------------------------------------------------------------------------------------------------------------------------------------------------------------------------------------------------|
| <code>disable</code> |      | Enter to disable the feature. This is default.                                                                                                                                                               |
| <code>enable</code>  |      | Enter to enable the feature. Setting this to enable indicates that if a frame includes both 802.1p and a DSCP field, then the “pbit” field takes precedence. For DSCP to take precedence, change to disable. |

## Mode

Interface Configuration Mode

## Default

disable

## Examples

```
iS5Comm(config-if)# qos pbit-preference enable
```

## 29.12. qos

To enable or disable the *QoS* subsystem, use the command **qos** in Global Configuration Mode.

### qos

```
qos {disable | enable}
```

## Parameters

| Parameter | Type | Description                                         |
|-----------|------|-----------------------------------------------------|
| disable   |      | Enter to disable the QoS subsystem                  |
| enable    |      | Enter to enable the QoS subsystem. This is default. |

## Mode

Global Configuration Mode

## Default

Enabled

## Prerequisites

- This command executes only when QoS is started in the system.
- QoS module programs the hardware and starts protocol operation, when set as enable.
- QoS module stops protocol operation by deleting the hardware configuration, when set as disabled.

## Examples

```
iS5Comm(config)# qos enable
```

## 29.13. queue

To create a queue and configure the queue parameters, use the command **queue** in Global Configuration Mode. The **no** form of the command deletes a queue.

### queue

```
queue {<integer(1-8)> interface <iftype> <ifnum> [qtype <integer(1-65535)>]
[scheduler <integer(1-8)>] [weight <integer(1-1000)>] [priority
<integer(0-15)>] [queue-type {unicast | multicast}]
| class <class (1-65535)> | queue-id <queue-id (1-65535)>
```

### no queue

```
no queue <integer(1-65535)> interface <iftype> <ifnum>
```

## Parameters

| Parameter             | Type    | Description                                                                                                                                           |
|-----------------------|---------|-------------------------------------------------------------------------------------------------------------------------------------------------------|
| <integer (1-8)>       | Integer | Enter to create a queue and configure the queue parameters                                                                                            |
| interface             |         | Enter to configure a specified interface.                                                                                                             |
| <iftype>              |         | Enter to configure an interface type. Supports everything except port-channel.                                                                        |
| <ifnum>               |         | Enter to configure an Interface number.                                                                                                               |
| qtype                 |         | Enter for queue template type related configuration.                                                                                                  |
| <integer (1-65535)>   | Integer | Enter a value for queue template type. This value ranges from 0 to 65535.                                                                             |
| scheduler             |         | Enter to configure scheduler identifier that manages the specified queue.                                                                             |
| <integer (1-8)>       | Integer | Enter a value for scheduler identifier that manages the specified queue. This value ranges from 1 to 8.                                               |
| weight                |         | Enter for user assigned weight to the CoS queue.                                                                                                      |
| <integer (0-1000)>    | Integer | Enter a value for user assigned weight to the CoS queue. This value ranges from 0 to 1000. The default is 0.                                          |
| priority              |         | Enter for priority related configuration.                                                                                                             |
| <integer (0-15)>      | Integer | Enter a value for priority. This value ranges from 0 to 15.                                                                                           |
| queue-type            |         | Enter a value for Queue template type related configuration                                                                                           |
| unicast               |         | Enter for unicast (UC) queue to store known unicast packets.                                                                                          |
| multicast             |         | Enter a multicast (MC) queue to store DLF, multicast, broadcast and mirrored packets                                                                  |
| class                 |         | Enter to configure input class that should be mapped to an outbound queue.                                                                            |
| <class (1-65535)>     | Integer | Enter a value for the input class (associated with an incoming packet) that should be mapped to an outbound queue. This value ranges from 0 to 65535. |
| queue-id              |         | Enter to configure Queue identifier.                                                                                                                  |
| <cqueue-id (1-65535)> | Integer | Enter a value for Queue identifier that uniquely identifies the queue relative to an interface. This value ranges from 0 to 65535.                    |



## Mode

Global Configuration Mode

## Prerequisites

- scheduler identifier is unique relative to an egress interface.
- User assigned weights are used only when scheduling algorithm is a weighted scheduling algorithm.
- User assigned priority is used only when the scheduler uses a priority based scheduling algorithm.

## Examples

```
iS5Comm(config)# queue 1 interface gigabitethernet 0/1 scheduler 1 weight 20 shaper 1
```

## 29.14. queue-map

To create a map for a queue with class or regenerated priority, use the command **queue-map** in Global Configuration Mode. The no form of the command deletes a queue-map entry.

### queue-map

```
queue-map CLASS <integer(1-65535)> queue-id <integer(1-65535)>
```

### no queue-map

```
no queue-map CLASS <integer(1-65535)>
```

## Parameters

| Parameter           | Type    | Description                                                                                                                                                                                                              |
|---------------------|---------|--------------------------------------------------------------------------------------------------------------------------------------------------------------------------------------------------------------------------|
| CLASS               |         | Enter to configure the Input CLASS (associated with an incoming packet) that needs to be mapped to an outbound queue.<br><b>NOTE:</b> Class needs to be created using the set class command to configure this parameter. |
| <integer (1-65535)> | Integer | Enter a value for the Input CLASS. This value ranges from 1 to 65535.                                                                                                                                                    |
| queue-id            |         | Enter to configure the queue identifier that uniquely identifies a queue relative to an interface.                                                                                                                       |
| <integer (1-65535)> | Integer | Enter a value for the queue identifier that uniquely identifies a queue relative to an interface. This value ranges from 1 to 65535.                                                                                     |

## Mode

Global Configuration Mode

## Prerequisites

- This command executes only if QoS is started in the system.

## Examples

```
iS5Comm(config)# queue-map CLASS 2 queue-id 20
```

## 29.15. scheduler

To create a scheduler and configure the scheduler parameters, use the command **scheduler** in Global Configuration Mode. The no form of the command deletes a scheduler.

### scheduler

```
scheduler <integer(1-8)> interface <iftype> <ifnum> [sched-algo
{strict-priority | rr | wrr}]
```

### no scheduler

```
no scheduler <integer(1-65535)> interface <iftype> <ifnum>
```

## Parameters

| Parameter       | Type    | Description                                                                                                                                                                                                                     |
|-----------------|---------|---------------------------------------------------------------------------------------------------------------------------------------------------------------------------------------------------------------------------------|
| <integer(1-8)>  | Integer | Enter a value for the scheduler identifier that uniquely identifies the scheduler in the system/egress interface. Use values from 1 to 8 as scheduler ID. An error message is displayed for any scheduler ID beyond this range. |
| interface       |         | Enter to configure a specified interface.                                                                                                                                                                                       |
| <iftype>        |         | Enter to configure an interface type. Supports everything except port-channel.                                                                                                                                                  |
| <ifnum>         |         | Enter to configure an Interface number.                                                                                                                                                                                         |
| sched-algo      |         | Enter to configure a packet scheduling algorithm for the port.                                                                                                                                                                  |
| strict-priority |         | Enter to configure a Strict scheduling algorithm. This is the default scheduling algorithm.                                                                                                                                     |
| rr              |         | Enter to configure round Robin (rr) algorithm.                                                                                                                                                                                  |
| wrr             |         | Enter to configure a weighted Round Robin (wrr) algorithm.                                                                                                                                                                      |

## Mode

Global Configuration Mode

## Examples

```
iS5Comm(config)# scheduler 8 interface gigabitethernet 0/1 sched-algo rr
```

## 29.16. set class

To set class for L2 and/or L3 filters or priority map ID and add a class to priority map entry with regenerated priority, use the command **set class** in Class Map Configuration Mode. The no form of the command deletes a CLASS to priority map table entry.

### set class

```
set class <class integer(0-65535)> [pre-color {green | yellow | red | none}]
```

### no set class

```
no set class <class integer(0-65535)>
```

## Parameters

| Parameter                    | Type    | Description                                                                                             |
|------------------------------|---------|---------------------------------------------------------------------------------------------------------|
| <class<br>integer (0-65535)> | Integer | Enter a value for the Traffic CLASS to which an incoming frame pattern is classified. The default is 0. |
| pre-color                    |         | Enter to configure the color of the packet prior to metering.                                           |
| green                        |         | Enter to indicate Traffic conforming to SLAs (Service Level Agreements).                                |
| yellow                       |         | Enter to indicate Traffic exceeding the SLAs                                                            |
| red                          |         | Enter to indicate Traffic violating the SLAs.                                                           |
| none                         |         | Enter to indicate Traffic is not pre-colored.                                                           |

## Mode

Class Map Configuration Mode

## Examples

```
iS5Comm(config)# class-map 1
```

```
iS5Comm(config-cls-map)# set class 1000 pre-color none
```

## 29.17. set meter

To set policy parameters such as meter and meter actions, use the command **set meter** in Global Configuration Mode. The no form of the command deletes the meter from the policy and the meter actions.

### set meter

```
set meter <integer (1-65535)>
```

```
[conform-action [cos-transmit-set <short(0-7)> | de-transmit-set
<short(0-1)> | set-cos-transmit <short(0-7)> | set-de-transmit <short(0-1)>
|set-port <iftype> <ifnum> | inner-vlan-pri-set <short(0-7)>
|inner-vlan-de-set <short(0-1)> |set-inner-vlan-pri <short(0-7)> |
set-inner-vlan-de <short(0-1)> | set-mpls-exp-transmit <short(0-7)>
|set-ip-prec-transmit <short(0-7)> | set-ip-dscp-transmit <short(0-63)>]
```

```
[exceed-action [drop | cos-transmit-set <short(0-7)> | de-transmit-set
<short(0-1)> | set-cos-transmit <short(0-7)> | set-de-transmit <short(0-1)>
| inner-vlan-pri-set <short(0-7)> | inner-vlan-de-set <short(0-1)> |
set-inner-vlan-pri <short(0-7)> | set-inner-vlan-de <short(0-1)> |
set-mpls-exp-transmit <short(0-7)> | set-ip-prec-transmit <short(0-7)> |
set-ip-dscp-transmit <short(0-63)>]
```

```
[set-conform-newclass <integer (1-65535)>]
```

```
[set-exceed-newclass <integer (1-65535)>]
```

```
[set-violate-newclass <integer (1-65535)>]
```

```
[violate-action [drop | cos-transmit-set <short(0-7)> | de-transmit-set
<short(0-1)> | set-cos-transmit <short(0-7)> | set-de-transmit <short(0-1)>
| inner-vlan-pri-set <short(0-7)> | inner-vlan-de-set <short(0-1)> |
set-inner-vlan-pri <short(0-7)> | set-inner-vlan-de <short(0-1)> |
set-mpls-exp-transmit <short(0-7)> | set-ip-prec-transmit <short(0-7)> |
set-ip-dscp-transmit <short(0-63)>]
```

**no set meter**

```
no set meter
```

## Parameters

| Parameter           | Type    | Description                                                                                                            |
|---------------------|---------|------------------------------------------------------------------------------------------------------------------------|
| <integer (1-65535)> | Integer | Enter a value for the meter table identifier which is the index for the meter table. The value ranges from 1 to 65535. |
| conform-action      |         | Enter to configure action to be performed on the packet, when the packets are found to be In profile (conform).        |
| cos-transmit-set    |         | Enter to set the VLAN priority of the outgoing packet.                                                                 |
| <short (0-7)>       |         | Enter a value to set the VLAN priority of the outgoing packet. The value ranges from 0 to 7.                           |
| de-transmit-set     |         | Enter to set the VLAN drop eligible indicator of the outgoing packet.                                                  |
| <short (0-1)>       | Integer | Enter a value for the VLAN drop eligible indicator of the outgoing packet. The value ranges from 0 to 1.               |
| set-cos-transmit    |         | Enter to set the VLAN priority of the outgoing packet.                                                                 |
| <short (0-7)>       | Integer | Enter a value to set the VLAN priority of the outgoing packet. The value ranges from 0 to 7.                           |
| set-de-transmit     |         | Enter to set the VLAN drop eligible indicator of the outgoing packet.                                                  |
| <short (0-1)>       | Integer | Enter a value for the VLAN drop eligible indicator (DE) of the outgoing packet. The value ranges from 0 to 1.          |
| set-port            |         | Enter to set new port value.                                                                                           |
| <iftype>            |         | Enter to set the interface type.                                                                                       |
| <ifnum>             |         | Enter a set the interface type                                                                                         |
| inner-vlan-pri-set  |         | Enter to set the inner VLAN priority of the outgoing packet.                                                           |
| <short (0-7)>       | Integer | Enter a value to set the inner VLAN priority of the outgoing packet. The value ranges from 0 to 7.                     |
| inner-vlan-de-set   |         | Enter to set the inner VLAN DE of the outgoing packet.                                                                 |
| <short (0-1)>       | Integer | Enter a value for the inner VLAN DE of the outgoing packet. The value ranges from 0 to 1.                              |
| set-inner-vlan-pri  |         | Enter to set the inner VLAN priority of the outgoing packet.                                                           |
| <short (0-7)>       | Integer | Enter a value to set the VLAN priority of the outgoing packet. The value ranges from 0 to 7.                           |
| set-inner-vlan-de   |         | Enter to set the inner VLAN DE of the outgoing packet.                                                                 |

| Parameter             | Type    | Description                                                                                                       |
|-----------------------|---------|-------------------------------------------------------------------------------------------------------------------|
| <short (0-1) >        | Integer | Enter a value for the VLAN DE of the outgoing packet. The value ranges from 0 to 1.                               |
| set-mpls-exp-transmit |         | Enter to set the MPLS experimental bits of the outgoing packet.                                                   |
| <short (0-7) >        | Integer | Enter a value to set the MPLS experimental bits of the outgoing packet. The value ranges from 0 to 7.             |
| set-ip-prec-transmit  |         | Enter to set the new IP Type of Service.                                                                          |
| <short (0-7) >        | Integer | Enter a value for new IP Type of Service. It ranges from 0 to 1.                                                  |
| set-ip-dscp-transmit  |         | Enter to set the new DSCP.                                                                                        |
| <short (0-63) >       | Integer | Enter a value to set the new DSCP. The value ranges from 0 to 7.                                                  |
| exceed-action         |         | Enter to configure the action to be performed on the packet, when the packets are found to be In profile (exceed) |
| drop                  |         | Enter to drop the packet.                                                                                         |
| cos-transmit-set      |         | Enter to set the VLAN priority of the outgoing packet.                                                            |
| <short (0-7) >        | Integer | Enter a value to set the VLAN priority of the outgoing packet. The value ranges from 0 to 7.                      |
| de-transmit-set       |         | Enter to set the VLAN drop eligible indicator of the outgoing packet.                                             |
| <short (0-1) >        | Integer | Enter a value for the VLAN drop eligible indicator of the outgoing packet. The value ranges from 0 to 1.          |
| set-cos-transmit      |         | Enter to set the VLAN priority of the outgoing packet.                                                            |
| <short (0-7) >        | Integer | Enter a value to set the VLAN priority of the outgoing packet. The value ranges from 0 to 7.                      |
| set-de-transmit       |         | Enter to set the VLAN drop eligible indicator of the outgoing packet.                                             |
| <short (0-1) >        | Integer | Enter a value for the VLAN drop eligible indicator (DE) of the outgoing packet. The value ranges from 0 to 1.     |
| inner-vlan-pri-set    |         | Enter to set the inner VLAN priority of the outgoing packet.                                                      |
| <short (0-7) >        | Integer | Enter a value to set the inner VLAN priority of the outgoing packet. The value ranges from 0 to 7.                |

| Parameter             | Type    | Description                                                                                                                        |
|-----------------------|---------|------------------------------------------------------------------------------------------------------------------------------------|
| inner-vlan-de-set     |         | Enter to set the inner VLAN DE of the outgoing packet.                                                                             |
| <short (0-1) >        |         | Enter a value for the inner VLAN DE of the outgoing packet. The value ranges from 0 to 1.                                          |
| set-inner-vlan-pri    | Integer | Enter to set the inner VLAN priority of the outgoing packet.                                                                       |
| <short (0-7) >        |         | Enter a value to set the VLAN priority of the outgoing packet. The value ranges from 0 to 7.                                       |
| set-inner-vlan-de     |         | Enter to set the inner VLAN DE of the outgoing packet.                                                                             |
| <short (0-1) >        |         | Enter a value for the VLAN DE of the outgoing packet. The value ranges from 0 to 1.                                                |
| set-mpls-exp-transmit | Integer | Enter to set the MPLS experimental bits of the outgoing packet.                                                                    |
| <short (0-7) >        |         | Enter a value to set the MPLS experimental bits of the outgoing packet. The value ranges from 0 to 7.                              |
| set-ip-prec-transmit  |         | Enter to set the new IP Type of Service.                                                                                           |
| <short (0-7) >        |         | Enter a value for new IP Type of Service. It ranges from 0 to 1.                                                                   |
| set-ip-dscp-transmit  | Integer | Enter to set the new DSCP.                                                                                                         |
| <short (0-63) >       |         | Enter a value to set the new DSCP. The value ranges from 0 to 7.                                                                   |
| set-conform-newclass  |         | Enter to represent the Traffic class to which an incoming frame pattern is classified after metering.                              |
| <integer (0-65535) >  |         | Enter a value the Traffic class to which an incoming frame pattern is classified after metering. The value ranges from 0 to 65535. |
| set-exceed-newclass   |         | Enter to represent the Traffic class to which an incoming frame pattern is classified after metering.                              |
| <integer (0-65535) >  |         | Enter a value the Traffic class to which an incoming frame pattern is classified after metering. The value ranges from 0 to 65535. |
| set-violate-newclass  |         | Enter to represent the Traffic class to which an incoming frame pattern is classified after metering.                              |



| Parameter            | Type    | Description                                                                                                                        |
|----------------------|---------|------------------------------------------------------------------------------------------------------------------------------------|
| <integer (0-65535) > | Integer | Enter a value the Traffic class to which an incoming frame pattern is classified after metering. The value ranges from 0 to 65535. |
| violate-action       |         | Enter to configure the action to be performed on the packet, when the packets are found to be out of profile (violate).            |
| drop                 |         | Enter to drop the packet.                                                                                                          |
| cos-transmit-set     |         | Enter to set the VLAN priority of the outgoing packet.                                                                             |
| <short (0-7) >       | Integer | Enter a value to set the VLAN priority of the outgoing packet. The value ranges from 0 to 7.                                       |
| de-transmit-set      |         | Enter to set the VLAN drop eligible indicator of the outgoing packet.                                                              |
| <short (0-1) >       | Integer | Enter a value for the VLAN drop eligible indicator of the outgoing packet. The value ranges from 0 to 1.                           |
| set-cos-transmit     |         | Enter to set the VLAN priority of the outgoing packet.                                                                             |
| <short (0-7) >       | Integer | Enter a value to set the VLAN priority of the outgoing packet. The value ranges from 0 to 7.                                       |
| set-de-transmit      |         | Enter to set the VLAN drop eligible indicator of the outgoing packet.                                                              |
| <short (0-1) >       |         | Enter a value for the VLAN drop eligible indicator (DE) of the outgoing packet. The value ranges from 0 to 1.                      |
| inner-vlan-pri-set   |         | Enter to set the inner VLAN priority of the outgoing packet.                                                                       |
| <short (0-7) >       | Integer | Enter a value to set the inner VLAN priority of the outgoing packet. The value ranges from 0 to 7.                                 |
| inner-vlan-de-set    |         | Enter to set the inner VLAN DE of the outgoing packet.                                                                             |
| <short (0-1) >       | Integer | Enter a value for the inner VLAN DE of the outgoing packet. The value ranges from 0 to 1.                                          |
| set-inner-vlan-pri   |         | Enter to set the inner VLAN priority of the outgoing packet.                                                                       |
| <short (0-7) >       | Integer | Enter a value to set the VLAN priority of the outgoing packet. The value ranges from 0 to 7.                                       |
| set-inner-vlan-de    |         | Enter to set the inner VLAN DE of the outgoing packet.                                                                             |
| <short (0-1) >       |         | Enter a value for the VLAN DE of the outgoing packet. The value ranges from 0 to 1.                                                |

| Parameter             | Type    | Description                                                                                           |
|-----------------------|---------|-------------------------------------------------------------------------------------------------------|
| set-mpls-exp-transmit |         | Enter to set the MPLS experimental bits of the outgoing packet.                                       |
| <short (0-7) >        | Integer | Enter a value to set the MPLS experimental bits of the outgoing packet. The value ranges from 0 to 7. |
| set-ip-prec-transmit  |         | Enter to set the new IP Type of Service.                                                              |
| <short (0-7) >        | Integer | Enter a value for new IP Type of Service. It ranges from 0 to 1.                                      |
| set-ip-dscp-transmit  |         | Enter to set the new DSCP.                                                                            |
| <short (0-63) >       | Integer | Enter a value to set the new DSCP. It ranges from 0 to 7.                                             |

## Mode

Policy Map Configuration Mode

## Defaults

- set-cos-transmit - 0
- set-de-transmit - 0
- set-mpls-exp-transmit - 0
- set-inner-vlan-pri - 0

## Prerequisites

VLAN priority can be set to a non-zero value only when MPLS Experimental bits is set to zero.

## Examples

```
iS5Comm(config)# policy-map 1
```

```
iS5Comm(config-ply-map)# set meter 10 conform-action cos-transmit-set 5 exceed-action
cos-transmit-set 5 set-conform-newclass 100 set-exceed-newclass 100 set-violate-newclass 10
```

## 29.18. set meter-stats

To set the meter statistics counter status, use the command **set meter-stats** in Global Configuration Mode.

**set meter-stats**

```
set meter-stats {disable | enable} [meter-id [<integer (1-65535)>]]
```

**Parameters**

| Parameter           | Type    | Description                                                                                      |
|---------------------|---------|--------------------------------------------------------------------------------------------------|
| disable             |         | Enter to disable counter status for the meter statistics.                                        |
| enable              |         | Enter to enable counter status for the meter statistics.                                         |
| meter-id            |         | Enter to specify an index that enumerates the meter entries.                                     |
| <integer (1-65535)> | Integer | Enter a value for the index that enumerates the meter entries. The value ranges from 1 to 65535. |

**Mode**

Global Configuration Mode

**Prerequisites**

To enable or disable meter statistics to a specific meter-id, Meter id and policy map related configuration should be already created.

**Examples**

```
iS5Comm(config)# set meter-stats enable meter-id 1
```

**29.19. set policy**

To set a class for policy, use the command **set policy** in Priority Map Configuration Mode. The no form of the command sets the default value for interface in this policy.

**set policy**

```
set policy [class <integer(0-65535)>] {interface <iftype> <ifnum>
default-priority-type {none | vlanPri <integer(0-7)> | dot1P <integer(0-7)>
<integer(0-1)> | ipDscp <integer(0-63)>}}
```

**no set policy**

```
no set policy interface
```

## Parameters

| Parameter             | Type    | Description                                                                                                                                                                                                                                                                                                                                                                                                                   |
|-----------------------|---------|-------------------------------------------------------------------------------------------------------------------------------------------------------------------------------------------------------------------------------------------------------------------------------------------------------------------------------------------------------------------------------------------------------------------------------|
| class                 |         | Enter to specify the Traffic class for which the policy-map needs to be applied.<br><b>NOTE:</b> Class needs to be created using the set class command to configure this parameter.                                                                                                                                                                                                                                           |
| <integer(0-63)>       | Integer | Enter a value for the Traffic class. This value ranges from 0 to 63. The default is 0.                                                                                                                                                                                                                                                                                                                                        |
| interface             |         | Enter to configure type of interface for the outbound queue.                                                                                                                                                                                                                                                                                                                                                                  |
| <iftype>              |         | Enter to configure an interface type. Supports everything except port-channel. The options are: <ul style="list-style-type: none"> <li>gigabitethernet – A version of LAN standard architecture that supports data transfer up to 1 Gigabit per second.</li> <li>extreme-ethernet – A version of Ethernet that supports data transfer up to 10 Gigabits per second. This Ethernet supports only full duplex links.</li> </ul> |
| <ifnum>               |         | Enter to configure the type of interface for the outbound queue. This is a unique value that represents the specific interface. This value is a combination of slot number and port number separated by a slash, for interface type other than internal-lan and port-channel. Only i-lan id is provided, for interface types internal-lan.                                                                                    |
| default-priority-type |         | Enter to Sets the Per-Hop Behavior (PHB) type to be used for filling the default (per-hop) behavior PHB for the policy map entry for the specified interface.                                                                                                                                                                                                                                                                 |
| none                  |         | Enter to set the default PHB type as none.                                                                                                                                                                                                                                                                                                                                                                                    |
| vlanPri               |         | Enter to set the PHB type as VLAN Priority.                                                                                                                                                                                                                                                                                                                                                                                   |
| <integer(0-7)>        | Integer | Enter a value for the PHB type as VLAN Priority. It ranges from 0 to 1.                                                                                                                                                                                                                                                                                                                                                       |
| dot1P                 |         | Enter to set the PHB type as dot1P.                                                                                                                                                                                                                                                                                                                                                                                           |
| <integer(0-7)>        | Integer | Enter a value for the PHB type as VLAN Priority. It ranges from 0 to 7.                                                                                                                                                                                                                                                                                                                                                       |
| <integer(0-1)>        | Integer | Enter a value for the default DEI. This value ranges from 0 to 1.                                                                                                                                                                                                                                                                                                                                                             |
| ipDscp                | Integer | Enter to set priority type to IP Differentiated Services Code Point.                                                                                                                                                                                                                                                                                                                                                          |

| Parameter       | Type    | Description                                                                                              |
|-----------------|---------|----------------------------------------------------------------------------------------------------------|
| <integer(0-63)> | Integer | Enter a value for the PHB type as IP Differentiated Services Code Point. This value ranges from 0 to 63. |

## Mode

Policy Map Configuration Mode

## Prerequisites

Policy Map entry must be created.

## Examples

```
iS5Comm(config)# policy 1
iS5Comm(config-ply-map)# set policy class 1 interface gigabitethernet 0/1 default-priority-type none
iS5Comm(config-ply-map)# set policy default-priority-type dot1P 7 0
```

## 29.20. shape-template

To create a shape-template, use the command **shape-template** in Global Configuration Mode. The no form of the command deletes a shape-template.

### shape-template

```
shape-template <integer(1-65535)> [cir (1-10485760)>] [cbs (0-10485760)>]
```

### no shape-template

```
no shape-template <integer(1-65535)>
```

## Parameters

| Parameter                                   | Type    | Description                                                                                                                                                                                                                 |
|---------------------------------------------|---------|-----------------------------------------------------------------------------------------------------------------------------------------------------------------------------------------------------------------------------|
| <code>&lt;integer (1-65535)&gt;</code>      | Integer | Enter a value for the shape Template table index. This value ranges from 1 to 65535.                                                                                                                                        |
| <code>cir</code>                            |         | Enter to configure the committed information rate (cir) for packets through the queue. This value ranges from 1 to 10485760. Cir should be less than excess information rate (eir). For eir, see <b>meter-type</b> command. |
| <code>&lt;integer ((1-10485760))&gt;</code> | Integer | Enter a value for the shape Template table index. This value ranges from 1 to 65535.                                                                                                                                        |
| <code>cbs</code>                            |         | Enter to configure the committed burst size (cbs) for packets through the queue.                                                                                                                                            |
| <code>&lt;integer ((0-10485760))&gt;</code> | Integer | Enter a value for the committed burst size for packets through the queue. This value ranges from 0 to 10485760.                                                                                                             |

## Mode

Global Configuration Mode

## Examples

```
iS5Comm(config)# shape-template 1 cir 20 cbs 40
```

## 29.21. show class-map

To display the class map entry, use the command **show class-map** in Privileged EXEC Mode. If executed without the optional parameters, this command displays all available class map information.

### show class-map

```
show class-map <class-map-id (1-65535)>
```

## Parameters

| Parameter                                   | Type | Description                                                                                                                         |
|---------------------------------------------|------|-------------------------------------------------------------------------------------------------------------------------------------|
| <code>&lt;class-map-id (1-65535)&gt;</code> |      | Enter a value for the class map configurations for the specified class map entry to be displayed. The value ranges from 1 to 65535. |

## Mode

Privileged EXEC Mode

## Examples

iS5Comm# show class-map

```
QoS Class Map Entries

ClassMapId : 1
L2FilterId : None
L3FilterId : None
PriorityMapId : 1
VlanMapId : None
CLASS : 1000
PolicyMapId : None
PreColor : None
Status : Active
```

## 29.22. show meter

To display a meter entry, use the command **show meter** in Privileged EXEC Mode. Note that if executed without the optional parameters, this command displays all available meter information.

### show meter

```
show meter [<meter-id (1-1000)>]
```

## Parameters

| Parameter          | Type | Description                                                                                                            |
|--------------------|------|------------------------------------------------------------------------------------------------------------------------|
| <meter-id(1-1000)> |      | Enter a value for the configurations for the index that enumerates the meter entries. The value ranges from 1 to 1000. |

## Mode

Privileged EXEC Mode

## Examples

iS5Comm# show meter

QoS Meter Entries

-----

```

MeterId : 1
Type : SRTCMC
Color Mode : Color Blind
Interval : None
CIR : 20
CBS : 20
EIR : None
EBS : 20
NextMeter : None
Status : Active

MeterId : 10
Type : Simple Token Bucket
Color Mode : Color Blind
Interval : None
CIR : None
CBS : None
EIR : None
EBS : None
NextMeter : None
Status : InActive

```



## 29.23. show policy-map

To display the policy map entry, use the command **show policy-map** in Privileged EXEC Mode. Note that if executed without the optional parameters, this command displays all available policy map information.

### show policy-map

```
show policy-map [<policy-map-id (1-65535)>]
```

### Parameters

| Parameter                | Type | Description                                                                                                         |
|--------------------------|------|---------------------------------------------------------------------------------------------------------------------|
| <policy-map-id(1-65535)> |      | Enter a value for the index that enumerates the policy map entry to be displayed. The value ranges from 1 to 65535. |

### Mode

Privileged EXEC Mode

### Examples

```
iS5Comm# show policy-map
```

```
QoS Policy Map Entries
```

```

```

```
PolicyMapId : 2
IfIndex : 0
Class : 0
DefaultPHB : Dot1P
PHB Value : 7
DE Value : 0
MeterId : 0
ConNClass : 0
ExcNClass : 0
VioNClass : 0
ConfAct : None.
ExcAct : None.
VioAct : None.
```

```
PolicyMapId : 3
IfIndex : 0
```

```
Class : 0
DefaultPHB : Dot1P
PHB Value : 7
DE Value : 0
MeterId : 0
ConNClass : 0
ExcNClass : 0
VioNClass : 0
ConfAct : None.
ExcAct : None.
VioAct : None.
```

## 29.24. show qos

To display *QoS* related global configuration, the meters statistics for conform, exceed, violate packets and octets count, the configured pbit reference for the tagged ports, and the queue statistics for EnQ, DeQ, discarded packets and octets count, management algorithm drop and queue occupancy, use the command **show qos** in Privileged EXEC Mode.

### show qos

```
show qos {global info
| meter-stats [<Meter-Id(1-65535)>]
| pbit-preference-over-Dscp [interface <iftype> <ifnum>]
queue-stats [interface <iftype> <ifnum>]}
```

## Parameters

| Parameter                              | Type    | Description                                                                                                                                                                                                                                                                                                                                                                                                                                                                                                                                                                                                                                                                                                                                          |
|----------------------------------------|---------|------------------------------------------------------------------------------------------------------------------------------------------------------------------------------------------------------------------------------------------------------------------------------------------------------------------------------------------------------------------------------------------------------------------------------------------------------------------------------------------------------------------------------------------------------------------------------------------------------------------------------------------------------------------------------------------------------------------------------------------------------|
| <code>global info</code>               |         | Enter to display QoS related global configuration.                                                                                                                                                                                                                                                                                                                                                                                                                                                                                                                                                                                                                                                                                                   |
| <code>meter-stats</code>               |         | Enter to display the meters statistics for conform, exceed, violate packets and octets count.                                                                                                                                                                                                                                                                                                                                                                                                                                                                                                                                                                                                                                                        |
| <code>&lt;Meter-Id(1-65535)&gt;</code> |         | Enter a value for the Index that enumerates the meter entries. The value ranges from 1 to 65535.                                                                                                                                                                                                                                                                                                                                                                                                                                                                                                                                                                                                                                                     |
| <code>pbit-preference-over-Dscp</code> |         | Enter to display the configured pbit reference for the tagged ports.                                                                                                                                                                                                                                                                                                                                                                                                                                                                                                                                                                                                                                                                                 |
| <code>interface</code>                 |         | Enter to configure type of interface for the outbound queue to be displayed.                                                                                                                                                                                                                                                                                                                                                                                                                                                                                                                                                                                                                                                                         |
| <code>&lt;iftype&gt;</code>            | Integer | Enter to configure an interface type. Supports everything except port-channel. The options are: <ul style="list-style-type: none"> <li>• <code>fastethernet</code> – Officially referred to as 100BASE-T standard. This is a version of LAN standard architecture that supports data transfer up to 100 Megabits per second.</li> <li>• <code>gigabitethernet</code> – A version of LAN standard architecture that supports data transfer up to 1 Gigabit per second.</li> <li>• <code>extreme-ethernet</code> – A version of Ethernet that supports data transfer up to 10 Gigabits per second. This Ethernet supports only full duplex links.</li> <li>• <code>internal-lan</code> – Internal LAN created on a bridge per IEEE 802.1ap.</li> </ul> |
| <code>&lt;ifnum&gt;</code>             |         | Enter to configure the type of interface for the outbound queue. This is a unique value that represents the specific interface. This value is a combination of slot number and port number separated by a slash, for interface type other than internal-lan and port-channel. Only i-lan id is provided, for interface types internal-lan.                                                                                                                                                                                                                                                                                                                                                                                                           |
| <code>queue-stats</code>               |         | Enter to display the queue statistics for EnQ, DeQ, discarded packets and octets count, management algorithm drop and queue occupancy.                                                                                                                                                                                                                                                                                                                                                                                                                                                                                                                                                                                                               |
| <code>interface</code>                 |         | Enter to configure type of interface for the outbound queue to be displayed.                                                                                                                                                                                                                                                                                                                                                                                                                                                                                                                                                                                                                                                                         |

| Parameter | Type    | Description                                                                                                                                                                                                                                                                                                                                                                                                                                                                                                                                                                                                                                                                                      |
|-----------|---------|--------------------------------------------------------------------------------------------------------------------------------------------------------------------------------------------------------------------------------------------------------------------------------------------------------------------------------------------------------------------------------------------------------------------------------------------------------------------------------------------------------------------------------------------------------------------------------------------------------------------------------------------------------------------------------------------------|
| <iftype>  | Integer | Enter to configure an interface type. Supports everything except port-channel. The options are: <ul style="list-style-type: none"> <li>• fastethernet – Officially referred to as 100BASE-T standard. This is a version of LAN standard architecture that supports data transfer up to 100 Megabits per second.</li> <li>• gigabitethernet – A version of LAN standard architecture that supports data transfer up to 1 Gigabit per second.</li> <li>• extreme-ethernet – A version of Ethernet that supports data transfer up to 10 Gigabits per second. This Ethernet supports only full duplex links.</li> <li>• internal-lan – Internal LAN created on a bridge per IEEE 802.1ap.</li> </ul> |
| <ifnum>   |         | Enter to configure the type of interface for the outbound queue. This is a unique value that represents the specific interface. This value is a combination of slot number and port number separated by a slash, for interface type other than internal-lan and port-channel. Only i-lan id is provided, for interface types internal-lan.                                                                                                                                                                                                                                                                                                                                                       |

## Mode

Privileged EXEC Mode

## Examples

iS5Comm# show qos global info

```
QoS Global Information

System Control : Start
System Control : Enable
Rate Unit : kbps
Rate Granularity : 64
Trace Flag : 0
```

iS5Comm# show qos meter-stats

```
QoS Meter (Policer) Stats

Meter Index : 1
Conform Packets : 00
Conform Octets : 00
Exceed Packets : 00
```

```

Exceed Octets : 00V
iolate Packets : 00
Violate Octets : 0

```

**iS5Comm# show qos pbit-preference-over-Dscp**

QoS Default Pbit Preference Entries

```

IfIndex Pbit preference over DSCP

Gi0/1 Enabled
Gi0/2 Enabled
Gi0/3 Enabled
Gi0/4 Enabled
Gi0/5 Enabled
Gi0/6 Enabled
Gi0/7 Enabled
Gi0/8 Enabled
Gi0/9 Enabled
Gi0/10 Enabled
Gi0/11 Enabled
Gi0/12 Enabled
Gi0/13 Enabled
Gi0/14 Enabled
Gi0/15 Enabled
Gi0/16 Enabled
Gi0/17 Enabled
Gi0/18 Enabled
Gi0/19 Enabled
Gi0/20 Enabled
Gi0/21 Enabled
Gi0/22 Enabled
Gi0/23 Enabled
Gi0/24 Enabled
Ex0/1 Enabled
Ex0/2 Enabled
Ex0/3 Enabled
Ex0/4 Enabled

```

**iS5Comm# show qos queue-stats**

QoS Queue Stats

```

oS Queue Stats

```

```
-----I
Interface Index : Gi0/1
Queue Index : 1
EnQ Packets : 0
EnQ Octets : 0
DeQ Packets : 0
DeQ Octets : 0
Discard Packets : 0
Discard Octets : 0
Occupancy Octets : 0
CongMgmtAlgoDrop Octets : 0
```

## 29.25. show queue

To display the configured queues, use the command **show queue** in Privileged EXEC Mode. Note that if executed without the optional parameters, this command displays all available queues entries.

### show queue

```
show queue [interface <iftype> <ifnum>]
```

## Parameters

| Parameter                   | Type    | Description                                                                                                                                                                                                                                                                                                                                                                                                                                             |
|-----------------------------|---------|---------------------------------------------------------------------------------------------------------------------------------------------------------------------------------------------------------------------------------------------------------------------------------------------------------------------------------------------------------------------------------------------------------------------------------------------------------|
| <code>interface</code>      |         | Enter to configure type of interface for the outbound queue to be displayed.                                                                                                                                                                                                                                                                                                                                                                            |
| <code>&lt;iftype&gt;</code> | Integer | Enter to configure an interface type. Supports everything except port-channel. The options are: <ul style="list-style-type: none"> <li><code>gigabitethernet</code> – A version of LAN standard architecture that supports data transfer up to 1 Gigabit per second.</li> <li><code>extreme-ethernet</code> – A version of Ethernet that supports data transfer up to 10 Gigabits per second. This Ethernet supports only full duplex links.</li> </ul> |
| <code>&lt;ifnum&gt;</code>  |         | Enter to configure the type of interface for the outbound queue. This is a unique value that represents the specific interface. This value is a combination of slot number and port number separated by a slash, for interface type other than internal-lan and port-channel. Only i-lan id is provided, for interface types internal-lan.                                                                                                              |

## Mode

Privileged EXEC Mode

## Examples

iS5Comm# show queue interface gi 0/1

QoS Queue Entries

-----

| IfIndex  | Queue | QTemplate | Scheduler | Weight | Priority | QType | ShapeIdx |
|----------|-------|-----------|-----------|--------|----------|-------|----------|
| GlobalId |       |           |           |        |          |       |          |

-----

|       |   |   |   |    |   |    |        |
|-------|---|---|---|----|---|----|--------|
| Gi0/1 | 1 | 1 | 8 | NA | 0 | UC | none 1 |
| Gi0/1 | 2 | 1 | 8 | NA | 1 | UC | none 2 |
| Gi0/1 | 3 | 1 | 8 | NA | 2 | UC | none 3 |
| Gi0/1 | 4 | 1 | 8 | NA | 3 | UC | none 4 |
| Gi0/1 | 5 | 1 | 8 | NA | 4 | UC | none 5 |
| Gi0/1 | 6 | 1 | 8 | NA | 5 | UC | none 6 |
| Gi0/1 | 7 | 1 | 8 | NA | 6 | UC | none 7 |
| Gi0/1 | 8 | 1 | 8 | NA | 7 | UC | none 8 |

iS5Comm# show queue 1

## Queue Template Entries

-----

```

Q Template Id : 1
Q Limit : 10000
Drop Type : Tail Drop
Drop Algo Status : Disable

```

## 29.26. show queue-map

To display the configured queue maps, use the command **show queue-map** in Privileged EXEC Mode. Note that if executed without the optional parameters, this command displays all available queue map entries.

### show queue-map

```
show queue-map [interface <iftype> <ifnum>]
```

### Parameters

| Parameter | Type    | Description                                                                                                                                                                                                                                                                                                                                                                                                                   |
|-----------|---------|-------------------------------------------------------------------------------------------------------------------------------------------------------------------------------------------------------------------------------------------------------------------------------------------------------------------------------------------------------------------------------------------------------------------------------|
| interface |         | Enter to configure type of interface for the outbound queue to be displayed.                                                                                                                                                                                                                                                                                                                                                  |
| <iftype>  | Integer | Enter to configure an interface type. Supports everything except port-channel. The options are: <ul style="list-style-type: none"> <li>gigabitethernet – A version of LAN standard architecture that supports data transfer up to 1 Gigabit per second.</li> <li>extreme-ethernet – A version of Ethernet that supports data transfer up to 10 Gigabits per second. This Ethernet supports only full duplex links.</li> </ul> |
| <ifnum>   |         | Enter to configure the type of interface for the outbound queue. This is a unique value that represents the specific interface. This value is a combination of slot number and port number separated by a slash, for interface type other than internal-lan and port-channel. Only i-lan id is provided, for interface types internal-lan.                                                                                    |

### Mode

Privileged EXEC Mode



## Examples

iS5Comm# show queue-map

QoS queue Map Entries

```

IfIndex CLASS PriorityType Priority Value Mapped Queue

0 none VlanPri 0 1
0 none VlanPri 1 2
0 none VlanPri 2 3
0 none VlanPri 3 4
0 none VlanPri 4 5
0 none VlanPri 5 6
0 none VlanPri 6 7
0 none VlanPri 7 8

```

## 29.27. show queue-template

To display the queue template entry and random detect configurations, use the command **show queue-template** in Privileged EXEC Mode. Note that if executed without the optional parameters, this command displays all available queue template information.

### show

```
show queue-template [<queue-template-id (1-65535)>]
```

### Parameters

| Parameter                     | Type | Description                                                                                                                                                       |
|-------------------------------|------|-------------------------------------------------------------------------------------------------------------------------------------------------------------------|
| <queue-template-id (1-65535)> |      | Enter a value for queue template and random detect configurations for the specified queue template table index to be displayed. The value ranges from 1 to 65535. |

### Mode

Privileged EXEC Mode

## Examples

iS5Comm# show queue-template

Q Queue Template Entries

```

Q Template Id : 1
Q Limit : 10000
Drop Type : Tail Drop
Drop Algo Status : Disable

```

## 29.28. show scheduler

To display the configured scheduler, use the command **show scheduler** in Privileged EXEC Mode. Note that if executed without the optional parameters, this command displays all available scheduler information.

### show scheduler

```
show scheduler [interface <iftype> <ifnum>]
```

### Parameters

| Parameter | Type | Description                                                                                                                                                                                                                                                                                                                                                                                                                   |
|-----------|------|-------------------------------------------------------------------------------------------------------------------------------------------------------------------------------------------------------------------------------------------------------------------------------------------------------------------------------------------------------------------------------------------------------------------------------|
| interface |      | Enter to configure type of interface for the outbound queue to be displayed.                                                                                                                                                                                                                                                                                                                                                  |
| <iftype>  |      | Enter to configure an interface type. Supports everything except port-channel. The options are: <ul style="list-style-type: none"> <li>gigabitethernet – A version of LAN standard architecture that supports data transfer up to 1 Gigabit per second.</li> <li>extreme-ethernet – A version of Ethernet that supports data transfer up to 10 Gigabits per second. This Ethernet supports only full duplex links.</li> </ul> |
| <ifnum>   |      | Enter to configure the type of interface for the outbound queue. This is a unique value that represents the specific interface. This value is a combination of slot number and port number separated by a slash, for interface type other than internal-lan and port-channel. Only i-lan id is provided, for interface types internal-lan.                                                                                    |

### Mode

Privileged EXEC Mode

### Examples

```
iS5Comm# show scheduler interface gi 0/1
```

```
QoS scheduler Entries
```

```

```

```
IfIndex Scheduler Index Scheduler Algo Shape Index Scheduler HL
GlobalId
```

```

```

```

```

```
Gi0/1 8 strictPriority 0 0 29
```

## 29.29. show shape-template

To display the shape template entries, use the command **show shape-template** in Privileged EXEC Mode. Note that if executed without the optional parameters, this command displays all available shape template information.

### show shape-template

```
show shape-template [<shape-template-id (1-65535)>]
```

### Parameters

| Parameter                    | Type | Description                                                                               |
|------------------------------|------|-------------------------------------------------------------------------------------------|
| <shape-template-id(1-65535)> |      | Enter a value for shape template index to be displayed. The value ranges from 1 to 65535. |

### Mode

Privileged EXEC Mode

### Examples

```
iS5Comm# show shape-template
```

```
QoS shape template Entries
```

```

```

```
ShapeTemplate Id CIR CBS EIR EBS
```

```

```

```
1 20 40 10000 10000
```

# ACL

## 30. ACL

The device offers a portable design that allows rapid integration of the solution with the choice of RTOS, CPU, and various chipsets. This section describes the CLI commands of the Access Control list (ACL) features.

The *ACL* space is shared by Layer 2 *ACLs*, Layer 3 *ACLs*, and the filters used for trapping the protocol packets to CPU.

When all features are enabled in the build, all protocol filters will be in use. When certain features are not included in the build, then lesser number of protocol filters will be in use. Hence, a greater number of Layer 2 *ACL* and Layer 3 *ACLs* can possibly be created.

The ACL count also depends on the number of ports on which the *ACL* are applied. For example, for the build combination with the listed modules:

The ACL maximum is as follows:

- Maximum number of Layer 2 *ACLs* (MAC *ACLs*) – 767
- Maximum number of Layer 3 standard *ACLs* (IP-Standard) – 394
- Maximum number of Layer 3 extended *ACLs* (IP- Extended) – 788

**NOTE:** In this example, *ACLs* are considered to be applied to a port.

When an *ACL* is created, it becomes active in the control plane. When the *ACL* is applied on a port, the *ACL* gets provisioned in the hardware.

**NOTE:** The switch does not support *ACL* counters. Also, the deny packets configured through *ACL* will not be displayed in the output of “show interface counters” – discard packet counters.

### 30.1. deny

To configure that traffic is denied for a particular protocol packet if the conditions defined in the deny statement are matched, use the command **deny** in Extended *ACL* IP Configuration Mode.

#### deny

```
deny {ip | ospf | pim <protocol-type (1-255)>}
 {any | host <src-ip-address>} | <src-ip-address> <mask>}
 {any | host <dest-ip-address>} | <dest-ip-address> <mask>}
 [{tos {max-reliability | max-throughput | min-delay | normal |<value(0-7)>}}
 | dscp <value (0-63)>}] {priority <value (1-255)>}]
```

---

```
[svlan-id <vlan-id (1-4094)>] [svlan-priority <value (0-7)>] [cvlan-id
<vlan-id (1-4094)>] [cvlan-priority <value (0-7)>]
[{single-tag | double-tag}]
```

## Parameters

| Parameter               | Type | Description                                                                                                                                                                                                                |
|-------------------------|------|----------------------------------------------------------------------------------------------------------------------------------------------------------------------------------------------------------------------------|
| ip                      |      | Enter to specify that traffic is denied for IP protocol packets.                                                                                                                                                           |
| ospf                    |      | Enter to specify that traffic is denied for OSPF protocol packets.                                                                                                                                                         |
| pim                     |      | Enter to specify that traffic is denied for PIM protocol packets.                                                                                                                                                          |
| <protocol-type (1-255)> |      | Enter a value for the protocol number for which traffic is allowed.<br><b>NOTE:</b> Protocol type with the value 255 indicates that protocol can be anything and it will not be checked against the action to be performed |
| any                     |      | Enter to specify that packets are denied from any source.                                                                                                                                                                  |
| host                    |      | Enter to specify the host source IPv4 address from which the packets are denied.                                                                                                                                           |
| <src-ip-address>        |      | Enter a value for the host source IPv4 address of the host that the packet is from.                                                                                                                                        |
| mask                    |      | Enter to specify the mask of the host from where the packet is.                                                                                                                                                            |
| any                     |      | Enter to specify that packets are denied from any destination.                                                                                                                                                             |
| host                    |      | Enter to specify the destination IPv4 address to be used for forwarding the packets.                                                                                                                                       |
| <dest-ip-address>       |      | Enter a value for the address of the host that the packet is destined for and the network mask to use with the destination IP address.                                                                                     |
| mask                    |      | Enter to specify the mask of the host of the host that the packet is from.                                                                                                                                                 |
| tos                     |      | Enter to allow the protocol packets based on the following type of service configuration.                                                                                                                                  |
| max-reliability         |      | Enter to allow the protocol packets having TOS field set as high reliability.                                                                                                                                              |
| max-throughput          |      | Enter to allow the protocol packets having TOS field set as high throughput.                                                                                                                                               |
| min-delay               |      | Enter to allow the protocol packets having TOS field set as low delay                                                                                                                                                      |
| normal                  |      | Enter to allow all protocol packets. Does not check for the TOS field in the packets.                                                                                                                                      |

| Parameter            | Type | Description                                                                                                                                                                                                                                                                                                                                                                                                                                                                                                                                                                                                                                                                                                                                                                                                                                                                                                                                                                                                        |
|----------------------|------|--------------------------------------------------------------------------------------------------------------------------------------------------------------------------------------------------------------------------------------------------------------------------------------------------------------------------------------------------------------------------------------------------------------------------------------------------------------------------------------------------------------------------------------------------------------------------------------------------------------------------------------------------------------------------------------------------------------------------------------------------------------------------------------------------------------------------------------------------------------------------------------------------------------------------------------------------------------------------------------------------------------------|
| <value (0-7) >       |      | <p>Enter to allow the protocol packets based on the TOS value set. This value ranges from 0 to 7. This value represents different combination of TOS.</p> <ul style="list-style-type: none"> <li>• 0 - Allows all protocol packets. Does not check for the TOS field in the packets.</li> <li>• 1 - Allows the protocol packets having TOS field set as high reliability.</li> <li>• 2 - Allows the protocol packets having TOS field set as high throughput.</li> <li>• 3 - Allows the protocol packets having TOS field set either as high reliability or high throughput.</li> <li>• 4 - Allows the protocol packets having TOS field set as low delay.</li> <li>• 5 - Allows the protocol packets having TOS field set either as low delay or high reliability.</li> <li>• 6 - Allows the protocol packets having TOS field set either as low delay or high throughput.</li> <li>• 7 - Allows the protocol packets having TOS field set either as low delay or high reliability or high throughput.</li> </ul> |
| dscp                 |      | Enter to configure the Differentiated Services Code Point (DSCP) value to be checked against the packet.                                                                                                                                                                                                                                                                                                                                                                                                                                                                                                                                                                                                                                                                                                                                                                                                                                                                                                           |
| <value ((0-63) >     |      | Enter a DSCP value. This value provides the quality of service control. This value ranges from 0 to 63.                                                                                                                                                                                                                                                                                                                                                                                                                                                                                                                                                                                                                                                                                                                                                                                                                                                                                                            |
| priority             |      | Enter to configure the priority of the filter to decide which filter rule is applicable when the packet matches with more than one filter rules. Higher value of 'filter priority' implies a higher priority.                                                                                                                                                                                                                                                                                                                                                                                                                                                                                                                                                                                                                                                                                                                                                                                                      |
| <short (1-255) >     |      | Enter a priority value. This value ranges from 1 to 255.                                                                                                                                                                                                                                                                                                                                                                                                                                                                                                                                                                                                                                                                                                                                                                                                                                                                                                                                                           |
| svlan-id             |      | Enter to configure Service VLAN value to match against incoming packets.                                                                                                                                                                                                                                                                                                                                                                                                                                                                                                                                                                                                                                                                                                                                                                                                                                                                                                                                           |
| <vlan-id (1-4094) >> |      | Enter a value for Service VLAN.                                                                                                                                                                                                                                                                                                                                                                                                                                                                                                                                                                                                                                                                                                                                                                                                                                                                                                                                                                                    |
| svlan-priority       |      | Enter to configure the Service VLAN priority value to match against incoming packets                                                                                                                                                                                                                                                                                                                                                                                                                                                                                                                                                                                                                                                                                                                                                                                                                                                                                                                               |
| <value (0-7) >       |      | Enter a Service VLAN priority value. This value ranges from 0 to 7.                                                                                                                                                                                                                                                                                                                                                                                                                                                                                                                                                                                                                                                                                                                                                                                                                                                                                                                                                |
| cvlan-id             |      | Enter to configure Customer VLAN priority value to match against incoming packets.                                                                                                                                                                                                                                                                                                                                                                                                                                                                                                                                                                                                                                                                                                                                                                                                                                                                                                                                 |

| Parameter             | Type | Description                                                                                                                                                                                                                                                                                                                                                                                                                                                                                                                                                                |
|-----------------------|------|----------------------------------------------------------------------------------------------------------------------------------------------------------------------------------------------------------------------------------------------------------------------------------------------------------------------------------------------------------------------------------------------------------------------------------------------------------------------------------------------------------------------------------------------------------------------------|
| <vlan-id<br>(1-4094)> |      | Enter a customer vlan ID value. This value ranges from 0 to 7.                                                                                                                                                                                                                                                                                                                                                                                                                                                                                                             |
| cvlan-priority        |      | Enter to specify customer vlan related configuration                                                                                                                                                                                                                                                                                                                                                                                                                                                                                                                       |
| <value<br>(0-7)>      |      | Enter a customer vlan ID value. This value ranges from 0 to 7.                                                                                                                                                                                                                                                                                                                                                                                                                                                                                                             |
| double-tag            |      | Enter to specify that the filter is to be applied on double VLAN tagged packets                                                                                                                                                                                                                                                                                                                                                                                                                                                                                            |
| single-tag            |      | Enter to specify that the filter is to be applied on Single VLAN tagged packets                                                                                                                                                                                                                                                                                                                                                                                                                                                                                            |
| redirect              |      | Enter to redirect the action to the destination interface or set of interfaces.                                                                                                                                                                                                                                                                                                                                                                                                                                                                                            |
| <iftype>              |      | Enter destination interface type. The interface can be: <ul style="list-style-type: none"> <li>• fastethernet – Officially referred to as 100BASE-T standard. This is a version of LAN standard architecture that supports data transfer up to 100 Megabits per second.</li> <li>• gigabitethernet – A version of LAN standard architecture that supports data transfer up to 1 Gigabit per second.</li> <li>• extreme-ethernet – A version of Ethernet that supports data transfer up to 10 Gigabits per second. This Ethernet supports only full duplex links</li> </ul> |
| <ifnum>               |      | Enter to redirect the packets to the specified interface identifier. This is a unique value that represents the specific interface. This value is a combination of slot number and port number separated by a slash, for interface types Gigabitethernet, Fastethernet and Extreme-Ethernet.                                                                                                                                                                                                                                                                               |
| <iface_list>          |      | Enter to redirect the packets to the list of interfaces.                                                                                                                                                                                                                                                                                                                                                                                                                                                                                                                   |
| load-balance          |      | Enter to specify the parameters based on which the traffic distribution needs to be done.                                                                                                                                                                                                                                                                                                                                                                                                                                                                                  |
| src-ip                |      | Enter to specify that the traffic distribution is based on the source IP address.                                                                                                                                                                                                                                                                                                                                                                                                                                                                                          |
| dst-ip                |      | Enter to specify that the traffic distribution is based on the destination IP address.                                                                                                                                                                                                                                                                                                                                                                                                                                                                                     |
| src-mac               |      | Enter to specify that the traffic distribution is based on the source MAC address.                                                                                                                                                                                                                                                                                                                                                                                                                                                                                         |



| Parameter           | Type    | Description                                                                                                                        |
|---------------------|---------|------------------------------------------------------------------------------------------------------------------------------------|
| dst-mac             |         | Enter to specify that the traffic distribution is based on the destination MAC address.                                            |
| vlanid              |         | Enter to specify that the traffic distribution is based on the VLAN ID to be filtered.                                             |
| src-tcpport         |         | Enter to specify that the traffic distribution is based on the source TCP port number.                                             |
| dst-tcpport         |         | Enter to specify that the traffic distribution is based on the destination TCP Port number.                                        |
| src-udpport         |         | Enter to specify that the traffic distribution is based on the source UDP port number                                              |
| dst-udpport         |         | Enter to specify that the traffic distribution is based on the destination UDP port number.                                        |
| sub-action          |         | Enter to configure the VLAN specific sub action to be performed on the packet.                                                     |
| none                |         | Enter to specify that the actions related to the VLAN ID will not be considered.                                                   |
| modify-vlan         |         | Enter to specify to modify the VLAN ID to which the packet gets classified. The packet could be an untagged or VLAN tagged packet. |
| <short<br>(1-4094)> | Integer | Enter a value for the VLAN ID to which the packet gets classified. This value ranges from 1 to 4094.                               |
| nested-vlan         |         | Enter to specify to add an outer VLAN tag to the packet with the specified VLAN ID (nested VLAN).                                  |
| <short<br>(1-4094)> | Integer | Enter a value for the outer VLAN tag to the packet with the specified VLAN ID. This value ranges from 1 to 4094.                   |

## Mode

Extended ACL IP Configuration Mode

## Default

- protocol-type - 255
- priority - 1
- dscp - 0
- svlan-id - 0
- svlan-priority - 1

- cvlan-id - 0
- cvlan-priority - 1
- single-tag | double-tag - Single tag

## Examples

```
iS5Comm (config)# ip access-list extended 1001
iS5Comm (config-ext-nacl)# deny ip any any priority 10
iS5Comm (config-ext-nacl)#
```

## 30.2. deny

To configure the packets to be rejected based on the *MAC* address and the associated parameters, use the command **deny** in Extended *ACL MAC* Configuration Mode. This command allows non-IP traffic to be rejected if the conditions are matched.

### deny

```
deny {any | host <src-ip-address>} | host <dest-mac-address>}
 [{aarp | amber | dec-spanning | decnet-iv | diagnostic | dsm | etype-6000 |
 etype-8042 | lat | lavc-sca | mop-console | mop-dump | msdos | mumps |
 netbios | vines-echo | vines-ip | xns-id | <protocol (0-65535)>
 | encapsype | <integer (1-65535)>] [vlan <vlan-id (1-4094)>] {priority
 <value (1-255)>}]
 [outerEtherType < integer (1-65535)>] [svlan-id <vlan-id (1-4094)>]
 [svlan-priority <value (0-7)>] [cvlan-priority <value (0-7)>]
 [{single-tag | double-tag}]
 [redirect {interface <iftype> <ifnum> | <iftype> <ifnum> [<iftype>
```

## Parameters

| Parameter          | Type | Description                                                                                                                                        |
|--------------------|------|----------------------------------------------------------------------------------------------------------------------------------------------------|
| any                |      | Enter to specify that control packets can be denied from any source.                                                                               |
| host               |      | Enter to specify the host source MAC address from which the control packets are denied.                                                            |
| <src-ip-address>   |      | Enter a value for the host source MAC address to be used for forwarding the packets.                                                               |
| host               |      | Enter to specify the destination MAC address from which the packets are denied.                                                                    |
| <dest-mac-address> |      | Enter a value for the destination MAC address from which the packets are denied.                                                                   |
| aarp               |      | Enter to configure the non-IP protocol type as EtherType AppleTalk Address Resolution Protocol that maps a data-link address to a network address. |
| amber              |      | Enter to configure the non-IP protocol type as the address of the host that the packet is destined for.                                            |
| dec-spanning       |      | Enter to configure the non-IP protocol type as EtherType Digital Equipment Corporation spanning tree                                               |
| decnet-iv          |      | Enter to configure the non-IP protocol type as EtherType DECnet Phase IV protocol.                                                                 |
| diagnostic         |      | Enter to configure the non-IP protocol type as EtherType DEC-Diagnostic.                                                                           |
| dsm                |      | Enter to configure the non-IP protocol type as EtherType DEC-DSM/DDP.                                                                              |
| etype-6000         |      | Enter to configure the non-IP protocol type as EtherType 0x6000.                                                                                   |
| etype-8042         |      | Enter to configure the non-IP protocol type as EtherType 0x8042.                                                                                   |
| lat                |      | Enter to configure the non-IP protocol type as EtherType DEC-LAT.                                                                                  |
| lavc-sca           |      | Enter to configure the non-IP protocol type as EtherType DEC-LAVC-SCA                                                                              |
| mop-console        |      | Enter to configure the non-IP protocol type as EtherType DEC-MOP Remote Console                                                                    |
| mop-dump           |      | Enter to configure the non-IP protocol type as EtherType DEC-MOP Dump.                                                                             |
| msdos              |      | Enter to configure the non-IP protocol type as EtherType DEC-MSDOS.                                                                                |
| mumps              |      | Enter to configure the non-IP protocol type as EtherType DEC-MUMPS.                                                                                |

| Parameter               | Type | Description                                                                                                                                                                                                 |
|-------------------------|------|-------------------------------------------------------------------------------------------------------------------------------------------------------------------------------------------------------------|
| netbios                 |      | Enter to configure the non-IP protocol type as EtherType DEC- Network Basic Input/Output System.                                                                                                            |
| vines-echo              |      | Enter to configure the non-IP protocol type as EtherType Virtual Integrated Network                                                                                                                         |
| vines-ip                |      | Enter to configure the non-IP protocol type as EtherType VINES IP                                                                                                                                           |
| xns-id                  |      | Enter to configure the non-IP protocol type as EtherType Xerox Network Systems protocol suite                                                                                                               |
| <protocol<br>(0-65535)> |      | Enter to configure the non-IP protocol type to be filtered. This value ranges from 0 to 65535. The value 0 represents that filter is applicable for all protocols.                                          |
| encaptype               |      | Enter to configure the arbitrary ether type of a packet with Ethernet II or SNAP encapsulation in decimal                                                                                                   |
| <short<br>(1-65535)>    |      | Enter a value for the arbitrary ether type of a packet. This value ranges from 1 to 65535.                                                                                                                  |
| vlan                    |      | Enter to specify the VLAN ID to be filtered.                                                                                                                                                                |
| <vlan-id<br>(1-4094)>   |      | Enter a value for the VLAN ID. This value ranges from 1 to 4094.                                                                                                                                            |
| priority                |      | Enter to specify the priority of the filter to decide which filter rule is applicable when the packet matches with more than one filter rules. Higher value of 'filter priority' implies a higher priority. |
| <short<br>(1-255)>      |      | Enter a priority value. This value ranges from 1 to 255.                                                                                                                                                    |
| outerEtherT<br>ype      |      | Enter to specify the EtherType value to match on Service vlan tag (OutEthertype)                                                                                                                            |
| <Integer<br>(1-65535)>  |      | Enter a value for OutEthertype. The value ranges from 1 to 65535.                                                                                                                                           |
| svlan-id                |      | Enter to configure Service VLAN ID value to match against incoming packets.                                                                                                                                 |
| <vlan-id<br>(1-4094)>   |      | Enter a value for Service VLAN ID. This value ranges from 1 to 4094.                                                                                                                                        |
| svlan-prior<br>ity      |      | Enter to configure Customer VLAN priority value to match against incoming packets.                                                                                                                          |
| <value<br>(0-7)>        |      | Enter a Service VLAN priority value. This value ranges from 0 to 7.                                                                                                                                         |

| Parameter      | Type | Description                                                                        |
|----------------|------|------------------------------------------------------------------------------------|
| cvlan-priority |      | Enter to configure Customer VLAN priority value to match against incoming packets. |
| <value (0-7)>  |      | Enter a customer VLAN ID value. This value ranges from 0 to 7.                     |
| double-tag     |      | Enter to specify the filter to be applied on double VLAN tagged packets.           |
| single-tag     |      | Enter to specify the filter to be applied on Single VLAN tagged packets.           |

## Mode

Extended ACL MAC Configuration Mode

## Default

- <protocol (0-65535)> - 0
- vlan-id - 0
- priority - 1
- outerEtherType - 0
- svlan-id - 0
- cvlan-priority - 1
- svlan-priority - 1
- single-tag | double-tag - Single tag

## Examples

```
iS5Comm (config)# mac access-list extended 5
iS5Comm (config-ext-macl)# deny any any priority 100
iS5Comm (config-ext-macl)#
```

## 30.3. deny

To configure that traffic is denied if the conditions defined in the deny statement are matched, use the command **deny** in Standard ACL Configuration Mode.

### deny

```
deny {any | host <src-ip-address> | <network-src-ip> <mask>}
 [{any | host <src-ip-address> | <network-src-ip> <mask>}]
```

```
priority <value (1-255)>
```

## Parameters

| Parameter        | Type    | Description                                                                                                                                                                                                     |
|------------------|---------|-----------------------------------------------------------------------------------------------------------------------------------------------------------------------------------------------------------------|
| any              |         | Enter to specify that packets can be forwarded from any source IP Address.                                                                                                                                      |
| host             |         | Enter to specify the host source IPv4 address to be used for forwarding the packets                                                                                                                             |
| <src-ip-address> |         | Enter a value for the host source IPv4 address to be used for forwarding the packets.                                                                                                                           |
| <network-src-ip> |         | Enter to specify the address of the host that the packet is from.                                                                                                                                               |
| <mask>           |         | Enter to specify the network mask to be used with the source IP address.                                                                                                                                        |
| any              |         | Enter to specify that packets can be denied to any destination                                                                                                                                                  |
| host             |         | Enter to specify the destination IPv4 address from which the packets are denied.                                                                                                                                |
| <src-ip-address> |         | Enter a value for the destination IPv4 address from which the packets are denied.                                                                                                                               |
| <network-src-ip> |         | Enter to specify the address of the host that the packet is destined for.                                                                                                                                       |
| <mask>           |         | Enter to specify the network mask to use with the destination IP address                                                                                                                                        |
| priority         |         | Enter to specify the priority of the filter to be decided which filter rule is applicable when the packet matches with more than one filter rules. Higher value of 'filter priority' implies a higher priority. |
| <value (1-255)>  | Integer | Enter a value for the priority of the filter. This value ranges from 1 to 255.                                                                                                                                  |

## Mode

Standard ACL Configuration Mode

## Default

priority - 1

## Examples

```
iS5Comm (config)# ip access-list standard 1
iS5Comm (config-std-nacl)# deny any priority 10
```

## 30.4. deny icmp

To configure the *ICMP* (Internet Control Message Protocol) packets to be rejected based on the associated parameters, use the command **deny icmp** in Extended *ACL* IP Configuration Mode.

### deny

```
deny icmp
 {any | host <src-ip-address>} | <src-ip-address> <src-mask>}
 {any | host <dest-ip-address>} | <dest-ip-address> <dest-mask>}
 [message-type <short (0-255)>] [message-code <short (0-255)>] {priority
<value (1-255)>}]
 [{tos {max-reliability | max-throughput | min-delay | normal |<value(0-7)>}
| dscp <value (0-63)>}] {priority <value (1-255)>}]
 [svlan-id <vlan-id (1-4094)>] [svlan-priority <value (0-7)>] [cvlan-id
<vlan-id (1-4094)>] [cvlan-priority <value (0-7)>]
 [{single-tag | double-tag}]
```

## Parameters

| Parameter         | Type | Description                                                                                                                                                                                                                          |
|-------------------|------|--------------------------------------------------------------------------------------------------------------------------------------------------------------------------------------------------------------------------------------|
| ICMP              |      | Enter to configure the ICMP packets to be rejected based on the associated parameters.                                                                                                                                               |
| any               |      | Enter to specify that ICMP packets can be denied from any source.                                                                                                                                                                    |
| host              |      | Enter to specify the host source IPv4 address from which the packets are denied.                                                                                                                                                     |
| <src-ip-address>  |      | Enter a value for the host source IPv4 address from which the packets are denied.                                                                                                                                                    |
| <src-mask>        |      | Enter to specify the network mask to be used with the destination IP address.                                                                                                                                                        |
| any               |      | Enter to specify that ICMP packets can be forwarded to any destination.                                                                                                                                                              |
| host              |      | Enter to specify the host destination IPv4 address to be used for forwarding the packets.<br><b>NOTE:</b> Both source and destination port cannot be configured. Only either source or the destination port range can be configured. |
| <dest-ip-address> |      | Enter a value for the host destination IPv4 address to which the packets are denied.                                                                                                                                                 |
| <dest-mask>       |      | Enter to specify the network mask to be used with the destination IP address.                                                                                                                                                        |
| message-type      |      | Enter to configure the ICMP Message type to be checked against the packet. The packet is allowed if it matches with the message type.                                                                                                |



| Parameter          | Type    | Description                                                                                                                                                                                                                                                                                                                                                                                                                                                                                                                                                                                                                                                                                                  |
|--------------------|---------|--------------------------------------------------------------------------------------------------------------------------------------------------------------------------------------------------------------------------------------------------------------------------------------------------------------------------------------------------------------------------------------------------------------------------------------------------------------------------------------------------------------------------------------------------------------------------------------------------------------------------------------------------------------------------------------------------------------|
| <short<br>(0-255)> | Integer | Enter a ICMP Message type. This value ranges from 0 to 255. Some of the ICMP message types are: <ul style="list-style-type: none"> <li>• Value ICMP Message type</li> <li>• 0 Echo reply</li> <li>• 3 Destination unreachable</li> <li>• 4 Source quench</li> <li>• 5 Redirect</li> <li>• 8 Echo request</li> <li>• 11 Time exceeded</li> <li>• 12 Parameter problem</li> <li>• 13 Timestamp request</li> <li>• 14 Timestamp reply</li> <li>• 15 Information request</li> <li>• 16 Information reply</li> <li>• 17 Address mask request</li> <li>• 18 Address mask reply</li> <li>• 55 No ICMP type</li> </ul>                                                                                               |
| message-code       |         | Enter to configure the ICMP Message code to be checked against the packet. The packet is allowed if it matches with the message type.                                                                                                                                                                                                                                                                                                                                                                                                                                                                                                                                                                        |
| <short<br>(0-255)> | Integer | Enter a ICMP Message code. This value ranges from 0 to 255. Some of the ICMP message Codes are: <ul style="list-style-type: none"> <li>• Value ICMP code</li> <li>• 0 Network unreachable</li> <li>• 1 Host unreachable</li> <li>• 2 Protocol unreachable</li> <li>• 3 Port unreachable</li> <li>• 4 Fragment needed</li> <li>• 5 Source route fail</li> <li>• 6 Destination network unknown</li> <li>• 7 Destination host unknown</li> <li>• 8 Source host isolated</li> <li>• 9 Destination network administratively prohibited</li> <li>• 10 Destination host administratively prohibited</li> <li>• 11 Network unreachable TOS</li> <li>• 12 Host unreachable TOS</li> <li>• 255 No ICMP code</li> </ul> |

| Parameter                  | Type | Description                                                                                                                  |
|----------------------------|------|------------------------------------------------------------------------------------------------------------------------------|
| gt                         |      | Enter to deny only the ICMP control packets having the ICMP destination port numbers greater than the specified port number. |
| <port-number<br>(1-65535)> |      | Enter a value for the port number. This value ranges from 1 to 65535.                                                        |
| lt                         |      | Enter to deny only the ICMP control packets having the ICMP destination port numbers lesser than the specified port number.  |
| <port-number<br>(1-65535)> |      | Enter a value for the port number. This value ranges from 1 to 65535.                                                        |
| eq                         |      | Enter to deny only the ICMP control packets having the specified ICMP destination port number.                               |
| <port-number<br>(1-65535)> |      | Enter a value for the port number. This value ranges from 1 to 65535.                                                        |
| range                      |      | Enter to deny only the ICMP control packets having the ICMP destination port numbers within the specified range.             |
| <port-number<br>(1-65535)> |      | Enter a value for the port number. This value ranges from 1 to 65535.                                                        |
| tos                        |      | Enter to deny the ICMP packets based on the following type of service configuration.                                         |
| max-reliability            |      | Enter to deny the ICMP packets having TOS field set as high reliability.                                                     |
| max-throughput             |      | Enter to deny the ICMP packets having TOS field set as high throughput.                                                      |
| min-delay                  |      | Enter to deny the ICMP packets having TOS field set as low delay                                                             |
| normal                     |      | Enter to deny all ICMP packets. Does not check for the TOS field in the packets.                                             |

| Parameter           | Type | Description                                                                                                                                                                                                                                                                                                                                                                                                                                                                                                                                                                                                                                                                                                                                                                                                                                                                                                                                                                                                       |
|---------------------|------|-------------------------------------------------------------------------------------------------------------------------------------------------------------------------------------------------------------------------------------------------------------------------------------------------------------------------------------------------------------------------------------------------------------------------------------------------------------------------------------------------------------------------------------------------------------------------------------------------------------------------------------------------------------------------------------------------------------------------------------------------------------------------------------------------------------------------------------------------------------------------------------------------------------------------------------------------------------------------------------------------------------------|
| <value (0-7) >      |      | <p>Enter to deny the protocol packets based on the TOS value set. This value ranges from 0 to 7. This value represents different combination of TOS.</p> <ul style="list-style-type: none"> <li>• 0 - Denies all protocol packets. Does not check for the TOS field in the packets.</li> <li>• 1 - Denies the protocol packets having TOS field set as high reliability.</li> <li>• 2 - Denies the protocol packets having TOS field set as high throughput.</li> <li>• 3 - Denies the protocol packets having TOS field set either as high reliability or high throughput.</li> <li>• 4 - Denies the protocol packets having TOS field set as low delay.</li> <li>• 5 - Denies the protocol packets having TOS field set either as low delay or high reliability.</li> <li>• 6 - Denies the protocol packets having TOS field set either as low delay or high throughput.</li> <li>• 7 - Denies the protocol packets having TOS field set either as low delay or high reliability or high throughput.</li> </ul> |
| dscp                |      | Enter to configure the Differentiated Services Code Point (DSCP) value to be checked against the packet                                                                                                                                                                                                                                                                                                                                                                                                                                                                                                                                                                                                                                                                                                                                                                                                                                                                                                           |
| <value ((0-63)) >   |      | Enter a DSCP value. This value provides the quality of service control. This value ranges from 0 to 63.                                                                                                                                                                                                                                                                                                                                                                                                                                                                                                                                                                                                                                                                                                                                                                                                                                                                                                           |
| priority            |      | Enter to configure the priority of the filter to decide which filter rule is applicable when the packet matches with more than one filter rules. Higher value of 'filter priority' implies a higher priority.                                                                                                                                                                                                                                                                                                                                                                                                                                                                                                                                                                                                                                                                                                                                                                                                     |
| <short (1-255) >    |      | Enter a priority value. This value ranges from 1 to 255.                                                                                                                                                                                                                                                                                                                                                                                                                                                                                                                                                                                                                                                                                                                                                                                                                                                                                                                                                          |
| svlan-id            |      | Enter to configure Service VLAN value to match against incoming packets.                                                                                                                                                                                                                                                                                                                                                                                                                                                                                                                                                                                                                                                                                                                                                                                                                                                                                                                                          |
| <vlan-id (1-4094) > |      | Enter a value for Service VLAN. This value ranges from 1 to 4094.                                                                                                                                                                                                                                                                                                                                                                                                                                                                                                                                                                                                                                                                                                                                                                                                                                                                                                                                                 |
| svlan-priority      |      | Enter to specify Service VLAN related configuration.                                                                                                                                                                                                                                                                                                                                                                                                                                                                                                                                                                                                                                                                                                                                                                                                                                                                                                                                                              |
| <value (0-7) >      |      | Enter a Service VLAN ID value. This value ranges from 0 to 7.                                                                                                                                                                                                                                                                                                                                                                                                                                                                                                                                                                                                                                                                                                                                                                                                                                                                                                                                                     |
| cvlan-id            |      | Enter to configure Customer VLAN value to be matched against incoming packets.                                                                                                                                                                                                                                                                                                                                                                                                                                                                                                                                                                                                                                                                                                                                                                                                                                                                                                                                    |

| Parameter             | Type | Description                                                                        |
|-----------------------|------|------------------------------------------------------------------------------------|
| <vlan-id<br>(1-4094)> |      | Enter a value for customer VLAN. This value ranges from 1 to 4094.                 |
| cvlan-priori<br>ty    |      | Enter to configure Customer priority value to be matched against incoming packets. |
| <value<br>(0-7)>      |      | Enter a Customer vlan ID value. This value ranges from 0 to 7.                     |
| double-tag            |      | Enter to specify that the filter is to be applied on double VLAN tagged packets    |
| single-tag            |      | Enter to specify that the filter is to be applied on Single VLAN tagged packets    |

## Mode

Extended ACL IP Configuration Mode

## Default

- message-type / message code - 255
- priority - 1
- svlan-id - 0
- svlan-priority - 1
- cvlan-id - 0
- cvlan-priority - 1
- single-tag | double-tag - Single tag

## Examples

```
iS5Comm (config)# ip access-list extended 1001
```

```
iS5Comm (config-ext-nacl)# deny icmp any any priority 1
```

## 30.5. deny tcp

To configure the *TCP* packets to be to be rejected based on the associated parameters, use the command **deny tcp** in Extended ACL IP Configuration Mode.

### deny

```
deny tcp
```

```
{any | host <src-ip-address>} | <src-ip-address> <src-mask>}
[<gt; <port-number (1-65535)> | <lt; port-number (1-65535)> | <eg <port-number
(1-65535)> | <range <port-number (1-65535)> <port-number (1-65535)>}]
{any | host <dest-ip-address>} | <dest-ip-address> <dest-mask>}
[<gt; <port-number (1-65535)> | <lt; port-number (1-65535)> | <eg <port-number
(1-65535)> | <range <port-number (1-65535)> <port-number (1-65535)>}] [<ack |
rst}]
[<tos {<max-reliability | <max-throughput | <min-delay | <normal | <value(0-7)>}
| <dscp <value (0-63)>}] {<priority <value (1-255)>}]
[<svlan-id <vlan-id (1-4094)>] [<svlan-priority <value (0-7)>] [<cvlan-id
<vlan-id (1-4094)>] [<cvlan-priority <value (0-7)>]
[<single-tag | <double-tag}]
```

## Parameters

| Parameter               | Type | Description                                                                                                                                                                                                                          |
|-------------------------|------|--------------------------------------------------------------------------------------------------------------------------------------------------------------------------------------------------------------------------------------|
| tcp                     |      | Enter to configure the TCP packets to be rejected based on the associated parameters.                                                                                                                                                |
| any                     |      | Enter to specify that TCP packets can be denied from any source.                                                                                                                                                                     |
| host                    |      | Enter to specify the host source IPv4 address from which the packets are denied.<br><b>NOTE:</b> Both source and destination port cannot be configured. Only either source or the destination port range can be configured.          |
| <src-ip-address>        |      | Enter a value for the host source IPv4 address from which the packets are denied.                                                                                                                                                    |
| <src-mask>              |      | Enter to specify the network mask to be used with the destination IP address.                                                                                                                                                        |
| gt                      |      | Enter to deny only the TCP control packets having the TCP source port numbers greater than the specified port number.                                                                                                                |
| <port-number (1-65535)> |      | Enter a value for the port number. This value ranges from 1 to 65535.                                                                                                                                                                |
| lt                      |      | Enter to deny only the TCP control packets having the TCP source port numbers lesser than the specified port number.                                                                                                                 |
| <port-number (1-65535)> |      | Enter a value for the port number. This value ranges from 1 to 65535.                                                                                                                                                                |
| eq                      |      | Enter to deny only the TCP control packets having the specified TCP source port number.                                                                                                                                              |
| <port-number (1-65535)> |      | Enter a value for the port number. This value ranges from 1 to 65535.                                                                                                                                                                |
| range                   |      | Enter to deny only the TCP control packets having the TCP source port numbers within the specified range.                                                                                                                            |
| <port-number (1-65535)> |      | Enter a value for the port number. This value ranges from 1 to 65535.                                                                                                                                                                |
| any                     |      | Enter to specify that TCP packets can be forwarded to any destination.                                                                                                                                                               |
| host                    |      | Enter to specify the host destination IPv4 address to be used for forwarding the packets.<br><b>NOTE:</b> Both source and destination port cannot be configured. Only either source or the destination port range can be configured. |

| Parameter               | Type | Description                                                                                                                |
|-------------------------|------|----------------------------------------------------------------------------------------------------------------------------|
| <dest-ip-address>       |      | Enter a value for the host destination IPv4 address to which the packets are denied.                                       |
| <dest-mask>             |      | Enter to specify the network mask to be used with the destination IP address.                                              |
| gt                      |      | Enter to deny only the TCP control packets having the TCP destination port numbers greater than the specified port number. |
| <port-number (1-65535)> |      | Enter a value for the port number. This value ranges from 1 to 65535.                                                      |
| lt                      |      | Enter to deny only the TCP control packets having the TCP destination port numbers lesser than the specified port number.  |
| <port-number (1-65535)> |      | Enter a value for the port number. This value ranges from 1 to 65535.                                                      |
| eq                      |      | Enter to deny only the TCP control packets having the specified TCP destination port number.                               |
| <port-number (1-65535)> |      | Enter a value for the port number. This value ranges from 1 to 65535.                                                      |
| range                   |      | Enter to deny only the TCP control packets having the TCP destination port numbers within the specified range.             |
| <port-number (1-65535)> |      | Enter a value for the port number. This value ranges from 1 to 65535.                                                      |
| ack                     |      | Enter to configure the TCP ACK bit to be checked against the packet.                                                       |
| rst                     |      | Enter to configure the TCP RST bit to be checked against the packet.                                                       |
| tos                     |      | Enter to deny the TCP packets based on the following type of service configuration.                                        |
| max-reliability         |      | Enter to deny the TCP packets having TOS field set as high reliability.                                                    |
| max-throughput          |      | Enter to deny the TCP packets having TOS field set as high throughput.                                                     |
| min-delay               |      | Enter to deny the TCP packets having TOS field set as low delay                                                            |
| normal                  |      | Enter to deny all TCP packets. Does not check for the TOS field in the packets.                                            |

| Parameter           | Type | Description                                                                                                                                                                                                                                                                                                                                                                                                                                                                                                                                                                                                                                                                                                                                                                                                                                                                                                                                                                                                       |
|---------------------|------|-------------------------------------------------------------------------------------------------------------------------------------------------------------------------------------------------------------------------------------------------------------------------------------------------------------------------------------------------------------------------------------------------------------------------------------------------------------------------------------------------------------------------------------------------------------------------------------------------------------------------------------------------------------------------------------------------------------------------------------------------------------------------------------------------------------------------------------------------------------------------------------------------------------------------------------------------------------------------------------------------------------------|
| <value (0-7) >      |      | <p>Enter to deny the protocol packets based on the TOS value set. This value ranges from 0 to 7. This value represents different combination of TOS.</p> <ul style="list-style-type: none"> <li>• 0 - Denies all protocol packets. Does not check for the TOS field in the packets.</li> <li>• 1 - Denies the protocol packets having TOS field set as high reliability.</li> <li>• 2 - Denies the protocol packets having TOS field set as high throughput.</li> <li>• 3 - Denies the protocol packets having TOS field set either as high reliability or high throughput.</li> <li>• 4 - Denies the protocol packets having TOS field set as low delay.</li> <li>• 5 - Denies the protocol packets having TOS field set either as low delay or high reliability.</li> <li>• 6 - Denies the protocol packets having TOS field set either as low delay or high throughput.</li> <li>• 7 - Denies the protocol packets having TOS field set either as low delay or high reliability or high throughput.</li> </ul> |
| dscp                |      | Enter to configure the Differentiated Services Code Point (DSCP) value to be checked against the packet                                                                                                                                                                                                                                                                                                                                                                                                                                                                                                                                                                                                                                                                                                                                                                                                                                                                                                           |
| <value ((0-63)) >   |      | Enter a DSCP value. This value provides the quality of service control. This value ranges from 0 to 63.                                                                                                                                                                                                                                                                                                                                                                                                                                                                                                                                                                                                                                                                                                                                                                                                                                                                                                           |
| priority            |      | Enter to configure the priority of the filter to decide which filter rule is applicable when the packet matches with more than one filter rules. Higher value of 'filter priority' implies a higher priority.                                                                                                                                                                                                                                                                                                                                                                                                                                                                                                                                                                                                                                                                                                                                                                                                     |
| <short (1-255) >    |      | Enter a priority value. This value ranges from 1 to 255.                                                                                                                                                                                                                                                                                                                                                                                                                                                                                                                                                                                                                                                                                                                                                                                                                                                                                                                                                          |
| svlan-id            |      | Enter to configure Service VLAN value to match against incoming packets.                                                                                                                                                                                                                                                                                                                                                                                                                                                                                                                                                                                                                                                                                                                                                                                                                                                                                                                                          |
| <vlan-id (1-4094) > |      | Enter a value for Service VLAN. This value ranges from 1 to 4094.                                                                                                                                                                                                                                                                                                                                                                                                                                                                                                                                                                                                                                                                                                                                                                                                                                                                                                                                                 |
| svlan-priority      |      | Enter to specify Service VLAN related configuration.                                                                                                                                                                                                                                                                                                                                                                                                                                                                                                                                                                                                                                                                                                                                                                                                                                                                                                                                                              |
| <value (0-7) >      |      | Enter a Service VLAN ID value. This value ranges from 0 to 7.                                                                                                                                                                                                                                                                                                                                                                                                                                                                                                                                                                                                                                                                                                                                                                                                                                                                                                                                                     |
| cvlan-id            |      | Enter to configure Customer VLAN value to be matched against incoming packets.                                                                                                                                                                                                                                                                                                                                                                                                                                                                                                                                                                                                                                                                                                                                                                                                                                                                                                                                    |



| Parameter             | Type | Description                                                                        |
|-----------------------|------|------------------------------------------------------------------------------------|
| <vlan-id<br>(1-4094)> |      | Enter a value for customer VLAN. This value ranges from 1 to 4094.                 |
| cvlan-priori<br>ty    |      | Enter to configure Customer priority value to be matched against incoming packets. |
| <value<br>(0-7)>      |      | Enter a Customer vlan ID value. This value ranges from 0 to 7.                     |
| double-tag            |      | Enter to specify that the filter is to be applied on double VLAN tagged packets    |
| single-tag            |      | Enter to specify that the filter is to be applied on Single VLAN tagged packets    |

## Mode

Extended ACL IP Configuration Mode

## Default

- any -Source and Destination address are not checked.
- gt - 0 (the packets are not checked for TCP port number)
- lt - 0 (the packets are not checked for TCP port number)
- eq - 0 (the packets are not checked for TCP port number)
- range - 0 for minimum port number, 65535 for maximum port number.
- tos-value - 0
- dscp - 1
- priority - 1
- svlan-id - 0
- svlan-priority - 1
- cvlan-id - 0
- cvlan-priority - 1
- single-tag | double-tag - Single tag

## Examples

```
iS5Comm (config)# ip access-list extended 1001
```

```
iS5Comm (config-ext-nacl)# deny tcp any any priority 2
```

## 30.6. deny udp

To configure the *UDP* (User Datagram Protocol) packets to be rejected based on the associated parameters, use the command **deny udp** in Extended *ACL* IP Configuration Mode.

### deny

```
deny udp
```

```
{any | host <src-ip-address>} | <src-ip-address> <src-mask>
[<gt; <port-number (1-65535)> | <lt; port-number (1-65535)> | <eg <port-number
(1-65535)> | <range <port-number (1-65535)> <port-number (1-65535)>}]
{any | host <dest-ip-address>} | <dest-ip-address> <dest-mask>
[<gt; <port-number (1-65535)> | <lt; port-number (1-65535)> | <eg <port-number
(1-65535)> | <range <port-number (1-65535)> <port-number (1-65535)>}] [<ack |
rst>]
[<tos {max-reliability | max-throughput | min-delay | normal | <value(0-7)>}
| <dscp <value (0-63)>}] [<priority <value (1-255)>}]
[<svlan-id <vlan-id (1-4094)>] [<svlan-priority <value (0-7)>] [<cvlan-id
<vlan-id (1-4094)>] [<cvlan-priority <value (0-7)>]
[<single-tag | double-tag>]
```

## Parameters

| Parameter               | Type | Description                                                                                                                                                                                                                          |
|-------------------------|------|--------------------------------------------------------------------------------------------------------------------------------------------------------------------------------------------------------------------------------------|
| UDP                     |      | Enter to configure the UDP packets to be rejected based on the associated parameters.                                                                                                                                                |
| any                     |      | Enter to specify that UDP packets can be denied from any source.                                                                                                                                                                     |
| host                    |      | Enter to specify the host source IPv4 address from which the packets are denied.<br><b>NOTE:</b> Both source and destination port cannot be configured. Only either source or the destination port range can be configured.          |
| <src-ip-address>        |      | Enter a value for the host source IPv4 address from which the packets are denied.                                                                                                                                                    |
| <src-mask>              |      | Enter to specify the network mask to be used with the destination IP address.                                                                                                                                                        |
| gt                      |      | Enter to deny only the UDP control packets having the UDP source port numbers greater than the specified port number.                                                                                                                |
| <port-number (1-65535)> |      | Enter a value for the port number. This value ranges from 1 to 65535.                                                                                                                                                                |
| lt                      |      | Enter to deny only the UDP control packets having the UDP source port numbers lesser than the specified port number.                                                                                                                 |
| <port-number (1-65535)> |      | Enter a value for the port number. This value ranges from 1 to 65535.                                                                                                                                                                |
| eq                      |      | Enter to deny only the UDP control packets having the specified UDP source port number.                                                                                                                                              |
| <port-number (1-65535)> |      | Enter a value for the port number. This value ranges from 1 to 65535.                                                                                                                                                                |
| range                   |      | Enter to deny only the UDP control packets having the UDP source port numbers within the specified range.                                                                                                                            |
| <port-number (1-65535)> |      | Enter a value for the port number. This value ranges from 1 to 65535.                                                                                                                                                                |
| any                     |      | Enter to specify that UDP packets can be forwarded to any destination.                                                                                                                                                               |
| host                    |      | Enter to specify the host destination IPv4 address to be used for forwarding the packets.<br><b>NOTE:</b> Both source and destination port cannot be configured. Only either source or the destination port range can be configured. |

| Parameter               | Type | Description                                                                                                                |
|-------------------------|------|----------------------------------------------------------------------------------------------------------------------------|
| <dest-ip-address>       |      | Enter a value for the host destination IPv4 address to which the packets are denied.                                       |
| <dest-mask>             |      | Enter to specify the network mask to be used with the destination IP address.                                              |
| gt                      |      | Enter to deny only the UDP control packets having the UDP destination port numbers greater than the specified port number. |
| <port-number (1-65535)> |      | Enter a value for the port number. This value ranges from 1 to 65535.                                                      |
| lt                      |      | Enter to deny only the UDP control packets having the UDP destination port numbers lesser than the specified port number.  |
| <port-number (1-65535)> |      | Enter a value for the port number. This value ranges from 1 to 65535.                                                      |
| eq                      |      | Enter to deny only the UDP control packets having the specified UDP destination port number.                               |
| <port-number (1-65535)> |      | Enter a value for the port number. This value ranges from 1 to 65535.                                                      |
| range                   |      | Enter to deny only the UDP control packets having the UDP destination port numbers within the specified range.             |
| <port-number (1-65535)> |      | Enter a value for the port number. This value ranges from 1 to 65535.                                                      |
| tos                     |      | Enter to deny the UDP packets based on the following type of service configuration.                                        |
| max-reliability         |      | Enter to deny the UDP packets having TOS field set as high reliability.                                                    |
| max-throughput          |      | Enter to deny the UDP packets having TOS field set as high throughput.                                                     |
| min-delay               |      | Enter to deny the UDP packets having TOS field set as low delay                                                            |
| normal                  |      | Enter to deny all UDP packets. Does not check for the TOS field in the packets.                                            |

| Parameter           | Type | Description                                                                                                                                                                                                                                                                                                                                                                                                                                                                                                                                                                                                                                                                                                                                                                                                                                                                                                                                                                                                       |
|---------------------|------|-------------------------------------------------------------------------------------------------------------------------------------------------------------------------------------------------------------------------------------------------------------------------------------------------------------------------------------------------------------------------------------------------------------------------------------------------------------------------------------------------------------------------------------------------------------------------------------------------------------------------------------------------------------------------------------------------------------------------------------------------------------------------------------------------------------------------------------------------------------------------------------------------------------------------------------------------------------------------------------------------------------------|
| <value (0-7) >      |      | <p>Enter to deny the protocol packets based on the TOS value set. This value ranges from 0 to 7. This value represents different combination of TOS.</p> <ul style="list-style-type: none"> <li>• 0 - Denies all protocol packets. Does not check for the TOS field in the packets.</li> <li>• 1 - Denies the protocol packets having TOS field set as high reliability.</li> <li>• 2 - Denies the protocol packets having TOS field set as high throughput.</li> <li>• 3 - Denies the protocol packets having TOS field set either as high reliability or high throughput.</li> <li>• 4 - Denies the protocol packets having TOS field set as low delay.</li> <li>• 5 - Denies the protocol packets having TOS field set either as low delay or high reliability.</li> <li>• 6 - Denies the protocol packets having TOS field set either as low delay or high throughput.</li> <li>• 7 - Denies the protocol packets having TOS field set either as low delay or high reliability or high throughput.</li> </ul> |
| dscp                |      | Enter to configure the Differentiated Services Code Point (DSCP) value to be checked against the packet                                                                                                                                                                                                                                                                                                                                                                                                                                                                                                                                                                                                                                                                                                                                                                                                                                                                                                           |
| <value ((0-63)) >   |      | Enter a DSCP value. This value provides the quality of service control. This value ranges from 0 to 63.                                                                                                                                                                                                                                                                                                                                                                                                                                                                                                                                                                                                                                                                                                                                                                                                                                                                                                           |
| priority            |      | Enter to configure the priority of the filter to decide which filter rule is applicable when the packet matches with more than one filter rules. Higher value of 'filter priority' implies a higher priority.                                                                                                                                                                                                                                                                                                                                                                                                                                                                                                                                                                                                                                                                                                                                                                                                     |
| <short (1-255) >    |      | Enter a priority value. This value ranges from 1 to 255.                                                                                                                                                                                                                                                                                                                                                                                                                                                                                                                                                                                                                                                                                                                                                                                                                                                                                                                                                          |
| svlan-id            |      | Enter to configure Service VLAN value to match against incoming packets.                                                                                                                                                                                                                                                                                                                                                                                                                                                                                                                                                                                                                                                                                                                                                                                                                                                                                                                                          |
| <vlan-id (1-4094) > |      | Enter a value for Service VLAN. This value ranges from 1 to 4094.                                                                                                                                                                                                                                                                                                                                                                                                                                                                                                                                                                                                                                                                                                                                                                                                                                                                                                                                                 |
| svlan-priority      |      | Enter to specify Service VLAN related configuration.                                                                                                                                                                                                                                                                                                                                                                                                                                                                                                                                                                                                                                                                                                                                                                                                                                                                                                                                                              |
| <value (0-7) >      |      | Enter a Service VLAN ID value. This value ranges from 0 to 7.                                                                                                                                                                                                                                                                                                                                                                                                                                                                                                                                                                                                                                                                                                                                                                                                                                                                                                                                                     |
| cvlan-id            |      | Enter to configure Customer VLAN value to be matched against incoming packets.                                                                                                                                                                                                                                                                                                                                                                                                                                                                                                                                                                                                                                                                                                                                                                                                                                                                                                                                    |

| Parameter             | Type | Description                                                                        |
|-----------------------|------|------------------------------------------------------------------------------------|
| <vlan-id<br>(1-4094)> |      | Enter a value for customer VLAN. This value ranges from 1 to 4094.                 |
| cvlan-priori<br>ty    |      | Enter to configure Customer priority value to be matched against incoming packets. |
| <value<br>(0-7)>      |      | Enter a Customer vlan ID value. This value ranges from 0 to 7.                     |
| double-tag            |      | Enter to specify that the filter is to be applied on double VLAN tagged packets    |
| single-tag            |      | Enter to specify that the filter is to be applied on Single VLAN tagged packets    |

## Mode

Extended ACL IP Configuration Mode

## Default

- dscp - 1
- priority - 1
- svlan-id - 0
- svlan-priority - 1
- vlan-id - 0
- cvlan-priority - 1
- single-tag | double-tag - Single tag

## Examples

```
iS5Comm (config)# ip access-list extended 1001
iS5Comm (config-ext-nacl)# deny udp any any priority 255
```

## 30.7. egress access-list

To configure the default egress *ACL* mode as IP-based or *MAC*-based, use the command **egress access-list** in Global Configuration Mode.

### egress access-list

```
egress access-list mode {ip | mac}
```

## Parameters

| Parameter | Type | Description                                                                                                                                                                                                         |
|-----------|------|---------------------------------------------------------------------------------------------------------------------------------------------------------------------------------------------------------------------|
| ip        |      | Enter to configure the egress ACL mode as IP which supports IP based PCL (Policy Control List) at egress.<br><b>NOTE:</b> MAC access list configurations should be deleted before setting Egress Filter Mode as IP. |
| mac       |      | Enter to configure the egress ACL mode as MAC which supports which supports MAC based PCL at egress.<br><b>NOTE:</b> IP access list configurations should be deleted before setting Egress Filter Mode as MAC.      |

## Mode

Global Configuration Mode

## Default

Default egress filtering mode is IP and it is running on the hardware.

## Examples

```
iS5Comm (config)# egress access-list mode ip
```

## 30.8. ip access-group

To enable access control for the packets on the interface and control access to a Layer 2 or Layer 3 interface, use the command **ip access-group** in Interface Configuration Mode. The no form of this command removes all access groups or the specified access group from the interface. The direction of filtering is specified using the token in or out.

### ip access-group

```
ip access-group <access-list-number (1-65535)> {in | out}
```

### no ip access-group

```
no ip access-group <access-list-number (1-65535)> {in | out}
```

## Parameters

| Parameter                                         | Type | Description                                                                                                                            |
|---------------------------------------------------|------|----------------------------------------------------------------------------------------------------------------------------------------|
| <code>&lt;access-list-number (1-65535)&gt;</code> |      | Enter a value to specify the IP access control list number which is to be enabled on the interface. This value ranges from 1 to 65535. |
| <code>in</code>                                   |      | Enter to configure the packets as Inbound packets.                                                                                     |
| <code>out</code>                                  |      | Enter to configure the packets as Outbound packets.<br><b>NOTE:</b> Redirect Filter is not applicable for out bound packets.           |

## Mode

Interface Configuration Mode

## Prerequisites

This command executes only if IP access list with the same number has been created

```
iS5Comm(config)# ip access-list standard 100
```

```
iS5Comm(config-std-nacl)# exit
```

## Examples

```
iS5Comm(config)# int gi 0/1
```

```
iS5Comm(config-if)# ip access-group 100 in
```

```
iS5Comm(config-if)# ip access-group 100 out
```

## 30.9. ip access-list

To configure IP *ACLs* and enter the IP Access-list Configuration mode, use the command **ip access-list** in Global Configuration Mode. Depending on the standard or extended option chosen by the user, this command returns a corresponding IP *ACL* configuration mode. *ACLs* on the system perform both access control and Layer 3 field classification. The no form of the command deletes the IP access list.

### ip access-list

```
ip access-list {standard <access-list-number (1-1000)> | extended
<access-list-number (1001-65535)>}
```



**no ip access-list**

```
no ip access-list {standard <access-list-number (1-1000)> | extended
<access-list-number (1001-65535)>}
```

**Parameters**

| Parameter                         | Type    | Description                                                                                                                                                                                                                                                  |
|-----------------------------------|---------|--------------------------------------------------------------------------------------------------------------------------------------------------------------------------------------------------------------------------------------------------------------|
| standard                          |         | Enter to configure a standard access list with the specified access list number. Standard access lists create filters based on IP address and network mask only (L3 filters only).                                                                           |
| <access-list-number (1-1000)>     | Integer | Enter an access list number for a standard access list. The value ranges from 1 to 1000.                                                                                                                                                                     |
| extended                          |         | Enter to configure an extended access list with the specified access list number. Extended access lists enables specification of filters based on the type of protocol, range of TCP/UDP ports as well as the IP address and network mask (Layer 4 filters). |
| <access-list-number (1001-65535)> | Integer | Enter an access list number for an extended access list. The value ranges from 1001 to 65535.                                                                                                                                                                |

**Mode**

Global Configuration Mode

**Examples**

```
iS5Comm (config)# ip access-list standard 1
iS5Comm (config-std-nacl)#
iS5Comm (config)# ip access-list extended 1001
iS5Comm (config-ext-nacl)#
```

**30.10. mac access-group**

To apply a *MAC* access control list ( *ACL*) to a Layer 2 interface, use the command **mac access-group** in Interface Configuration Mode. The no form of this command removes the *MAC ACLs* from the interface.

**mac access-group**

```
mac access-group <access-list-number (1-65535)> {in | out}
```

**no mac access-group**

```
no mac access-group <access-list-number (1-65535)> {in | out}
```

**Parameters**

| Parameter                      | Type | Description                                                                                                                                                                      |
|--------------------------------|------|----------------------------------------------------------------------------------------------------------------------------------------------------------------------------------|
| <access-list-number (1-65535)> |      | Enter a value to specify the MAC access control list number which is to be enabled on the interface. This value ranges from 1 to 65535.                                          |
| in                             |      | Enter to configure the packets as Inbound packets.<br><b>NOTE:</b> The MAC ACL defined with both protocol and encapsulation combination cannot be applied to a Layer 2 Interface |
| out                            |      | Enter to configure the packets as Outbound packets.<br><b>NOTE:</b> Redirect Filter is not applicable for out bound packets.                                                     |

**Mode**

Interface Configuration Mode

**Prerequisites**

MAC access list must have been created.

**Examples**

```
iS5Comm (config)# interface gi 0/1
iS5Comm (config-if)# mac access-group 5 in
```

**30.11. mac access-list**

To configure Layer 2 *MAC* (Media Access Control) access control lists (*ACL*s) and enter the *MAC* Access-list Configuration mode, use the command **mac access-list** in Global Configuration Mode. *ACL*s on the system perform both access control and Layer 2 field classification. The *MAC* access list identifier value ranges from 1 to 65535. The no form of the command deletes the *MAC ACL*.

**mac access-list**

```
mac access-list extended <access-list-number (1001-65535)>}
```

**no mac access-list**

```
no mac access-list extended <access-list-number (1001-65535)>}
```

**Parameters**

| Parameter                         | Type    | Description                                                                                                                                                                                                                                                                                   |
|-----------------------------------|---------|-----------------------------------------------------------------------------------------------------------------------------------------------------------------------------------------------------------------------------------------------------------------------------------------------|
| extended                          |         | Enter to configure the Layer 2 MAC (Media Access Control) access control lists (ACLs) and enter the MAC Access-list Configuration mode, use the command <b>mac access-list</b> in Global Configuration Mode. ACLs on the system perform both access control and layer 2 field classification. |
| <access-list-number (1001-65535)> | Integer | Enter a value for the Layer 2 MAC ACL number. The value ranges from 1001 to 65535.                                                                                                                                                                                                            |

**Mode**

Global Configuration Mode

**Examples**

```
i5Comm (config)# mac access-list extended 5
i5Comm (config-std-macl)#
```

**30.12. permit**

To configure traffic for a particular protocol packet if the conditions defined in the permit statement are matched, use the command **permit** in Extended ACL IP Configuration Mode.

**permit**

```
permit {ip | ospf | pim <protocol-type (1-255)>}
 {any | host <src-ip-address>} | <src-ip-address> <mask>}
 {any | host <dest-ip-address>} | <dest-ip-address> <mask>}
 [{tos {max-reliability | max-throughput | min-delay | normal | <value (0-7)>}}
 | dscp <value (0-63)>}] {priority <value (1-255)>}]
 [svlan-id <vlan-id (1-4094)>] [svlan-priority <value (0-7)>] [cvlan-id
 <vlan-id (1-4094)>] [cvlan-priority <value (0-7)>]
 [{single-tag | double-tag}]
 [redirect {interface <iftyp> <ifnum> | <iftyp> <iface_list> [<iftyp>
 <iface_list>]}
```

---

```
load-balance {src-ip | dst-ip | src-mac | dst-mac | vlanid | src-tcpport |
dst-tcpport | src-udpport | dst-udpport}}]
[sub-action {none | modify-vlan <short (1-4094)> | nested-vlan <short (1
-4094)>}]
```

## Parameters

| Parameter               | Type | Description                                                                                |
|-------------------------|------|--------------------------------------------------------------------------------------------|
| ip                      |      | Enter to specify that traffic is allowed for IP protocol packets.                          |
| ospf                    |      | Enter to specify that traffic is allowed for OSPF protocol packets.                        |
| pim                     |      | Enter to specify that traffic is allowed for PIM protocol packets.                         |
| <protocol-type (1-255)> |      | Enter a value for the protocol number for which traffic is allowed.                        |
| any                     |      | Enter to specify that packets can be forwarded from any source.                            |
| host                    |      | Enter to specify the host source IPv4 address to be used for forwarding the packets        |
| <src-ip-address>        |      | Enter a value for the host source IPv4 address to be used for forwarding the packets.      |
| mask                    |      | Enter to specify the network mask to use with the source IP address.                       |
| any                     |      | Enter to specify that packets can be forwarded to any destination.                         |
| host                    |      | Enter to specify the host destination IPv4 address to be used for forwarding the packets   |
| <src-ip-address>        |      | Enter a value for the host destination IPv4 address to be used for forwarding the packets. |
| mask                    |      | Enter to specify the network mask to use with the destination IP address.                  |
| tos                     |      | Enter to allow the protocol packets based on the following type of service configuration.  |
| max-reliability         |      | Enter to allow the protocol packets having TOS field set as high reliability.              |
| max-throughput          |      | Enter to allow the protocol packets having TOS field set as high throughput.               |
| min-delay               |      | Enter to allow the protocol packets having TOS field set as low delay                      |
| normal                  |      | Enter to allow all protocol packets. Does not check for the TOS field in the packets.      |

| Parameter            | Type | Description                                                                                                                                                                                                                                                                                                                                                                                                                                                                                                                                                                                                                                                                                                                                                                                                                                                                                                                                                                                                        |
|----------------------|------|--------------------------------------------------------------------------------------------------------------------------------------------------------------------------------------------------------------------------------------------------------------------------------------------------------------------------------------------------------------------------------------------------------------------------------------------------------------------------------------------------------------------------------------------------------------------------------------------------------------------------------------------------------------------------------------------------------------------------------------------------------------------------------------------------------------------------------------------------------------------------------------------------------------------------------------------------------------------------------------------------------------------|
| <value (0-7) >       |      | <p>Enter to allow the protocol packets based on the TOS value set. This value ranges from 0 to 7. This value represents different combination of TOS.</p> <ul style="list-style-type: none"> <li>• 0 - Allows all protocol packets. Does not check for the TOS field in the packets.</li> <li>• 1 - Allows the protocol packets having TOS field set as high reliability.</li> <li>• 2 - Allows the protocol packets having TOS field set as high throughput.</li> <li>• 3 - Allows the protocol packets having TOS field set either as high reliability or high throughput.</li> <li>• 4 - Allows the protocol packets having TOS field set as low delay.</li> <li>• 5 - Allows the protocol packets having TOS field set either as low delay or high reliability.</li> <li>• 6 - Allows the protocol packets having TOS field set either as low delay or high throughput.</li> <li>• 7 - Allows the protocol packets having TOS field set either as low delay or high reliability or high throughput.</li> </ul> |
| dscp                 |      | Enter to configure the Differentiated Services Code Point (DSCP) value to be checked against the packet                                                                                                                                                                                                                                                                                                                                                                                                                                                                                                                                                                                                                                                                                                                                                                                                                                                                                                            |
| <value ((0-63) >     |      | Enter a DSCP value. This value provides the quality of service control. This value ranges from 0 to 63.                                                                                                                                                                                                                                                                                                                                                                                                                                                                                                                                                                                                                                                                                                                                                                                                                                                                                                            |
| priority             |      | Enter to configure the priority of the filter to decide which filter rule is applicable when the packet matches with more than one filter rules. Higher value of 'filter priority' implies a higher priority.                                                                                                                                                                                                                                                                                                                                                                                                                                                                                                                                                                                                                                                                                                                                                                                                      |
| <short (1-255) >     |      | Enter a priority value. This value ranges from 1 to 255.                                                                                                                                                                                                                                                                                                                                                                                                                                                                                                                                                                                                                                                                                                                                                                                                                                                                                                                                                           |
| svlan-id             |      | Enter to configure Service VLAN value to match against incoming packets.                                                                                                                                                                                                                                                                                                                                                                                                                                                                                                                                                                                                                                                                                                                                                                                                                                                                                                                                           |
| <vlan-id (1-4094) >> |      | Enter a value for Service VLAN.                                                                                                                                                                                                                                                                                                                                                                                                                                                                                                                                                                                                                                                                                                                                                                                                                                                                                                                                                                                    |
| svlan-priority       |      | Enter to specify Service VLAN related configuration                                                                                                                                                                                                                                                                                                                                                                                                                                                                                                                                                                                                                                                                                                                                                                                                                                                                                                                                                                |
| <value (0-7) >       |      | Enter a Service VLAN ID value. This value ranges from 0 to 7.                                                                                                                                                                                                                                                                                                                                                                                                                                                                                                                                                                                                                                                                                                                                                                                                                                                                                                                                                      |
| cvlan-id             |      | Enter to configure Customer VLAN value to match against incoming packets.                                                                                                                                                                                                                                                                                                                                                                                                                                                                                                                                                                                                                                                                                                                                                                                                                                                                                                                                          |

| Parameter             | Type | Description                                                                                                                                                                                                                                                                                                                                                                                                                                                                                                                                                                                             |
|-----------------------|------|---------------------------------------------------------------------------------------------------------------------------------------------------------------------------------------------------------------------------------------------------------------------------------------------------------------------------------------------------------------------------------------------------------------------------------------------------------------------------------------------------------------------------------------------------------------------------------------------------------|
| <vlan-id<br>(1-4094)> |      | Enter a value for Customer VLAN ID to match against incoming packets.                                                                                                                                                                                                                                                                                                                                                                                                                                                                                                                                   |
| cvlan-priori<br>ty    |      | Enter to specify Customer VLAN priority value to match against incoming packets                                                                                                                                                                                                                                                                                                                                                                                                                                                                                                                         |
| <value<br>(0-7)>      |      | Enter a customer vlan ID value. This value ranges from 0 to 7.                                                                                                                                                                                                                                                                                                                                                                                                                                                                                                                                          |
| double-tag            |      | Enter to specify that the filter is to be applied on double VLAN tagged packets                                                                                                                                                                                                                                                                                                                                                                                                                                                                                                                         |
| single-tag            |      | Enter to specify that the filter is to be applied on Single VLAN tagged packets                                                                                                                                                                                                                                                                                                                                                                                                                                                                                                                         |
| redirect              |      | Enter to redirect the action to the destination interface or set of interfaces.                                                                                                                                                                                                                                                                                                                                                                                                                                                                                                                         |
| <iftype>              |      | Enter redirect the packets to the specified type of interface. The interface can be: <ul style="list-style-type: none"> <li>• fastethernet – Officially referred to as 100BASE-T standard. This is a version of LAN standard architecture that supports data transfer up to 100 Megabits per second.</li> <li>• gigabitethernet – A version of LAN standard architecture that supports data transfer up to 1 Gigabit per second.</li> <li>• extreme-ethernet – A version of Ethernet that supports data transfer up to 10 Gigabits per second. This Ethernet supports only full duplex links</li> </ul> |
| <ifnum>               |      | Enter to redirect the packets to the specified interface identifier. This is a unique value that represents the specific interface. This value is a combination of slot number and port number separated by a slash, for interface types Gigabitethernet, Fastethernet and Extreme-Ethernet.                                                                                                                                                                                                                                                                                                            |
| <iface_list>          |      | Enter to redirect the packets to the list of interfaces.                                                                                                                                                                                                                                                                                                                                                                                                                                                                                                                                                |
| load-balance          |      | Enter to specify the parameters based on which the traffic distribution needs to be done.                                                                                                                                                                                                                                                                                                                                                                                                                                                                                                               |
| src-ip                |      | Enter to specify that the traffic distribution is based on the source IP address.                                                                                                                                                                                                                                                                                                                                                                                                                                                                                                                       |
| dst-ip                |      | Enter to specify that the traffic distribution is based on the destination IP address.                                                                                                                                                                                                                                                                                                                                                                                                                                                                                                                  |
| src-mac               |      | Enter to specify that the traffic distribution is based on the source MAC address.                                                                                                                                                                                                                                                                                                                                                                                                                                                                                                                      |

| Parameter           | Type    | Description                                                                                                                        |
|---------------------|---------|------------------------------------------------------------------------------------------------------------------------------------|
| dst-mac             |         | Enter to specify that the traffic distribution is based on the destination MAC address.                                            |
| vlanid              |         | Enter to specify that the traffic distribution is based on the VLAN ID to be filtered.                                             |
| src-tcpport         |         | Enter to specify that the traffic distribution is based on the source TCP port number.                                             |
| dst-tcpport         |         | Enter to specify that the traffic distribution is based on the destination TCP Port number.                                        |
| src-udpport         |         | Enter to specify that the traffic distribution is based on the source UDP port number                                              |
| dst-udpport         |         | Enter to specify that the traffic distribution is based on the destination UDP port number.                                        |
| sub-action          |         | Enter to configure the VLAN specific sub action to be performed on the packet.                                                     |
| none                |         | Enter to specify that the actions related to the VLAN ID will not be considered.                                                   |
| modify-vlan         |         | Enter to specify to modify the VLAN ID to which the packet gets classified. The packet could be an untagged or VLAN tagged packet. |
| <short<br>(1-4094)> | Integer | Enter a value for the VLAN ID to which the packet gets classified. This value ranges from 1 to 4094.                               |
| nested-vlan         |         | Enter to specify to add an outer VLAN tag to the packet with the specified VLAN ID (nested VLAN).                                  |
| <short<br>(1-4094)> | Integer | Enter a value for the outer VLAN tag to the packet with the specified VLAN ID. This value ranges from 1 to 4094.                   |

## Mode

Extended ACL IP Configuration Mode

## Default

- protocol-type - 255
- priority - 1
- dscp - 0
- svlan-id - 0
- svlan-priority - 1



- cvlan-id - 0
- cvlan-priority - 1
- single-tag | double-tag - Single tag

## Examples

```
iS5Comm (config)# ip access-list extended 1001
```

```
iS5Comm (config-ext-nacl)# permit ospf any host 14.0.0.0 tos 5 priority 200 svlan-id 200 svlan-priority 3
cvlan-id 345 cvlan-priority 4 redirect gi 0/4 gi 0/10 load-balance dst-udpport sub-action nested-vlan 222
```

```
iS5Comm(config-ext-nacl)#
```

## 30.13. permit

To configure the packets to be forwarded based on the *MAC* address and the associated parameters, use the command **permit** in Extended *ACL MAC* Configuration Mode. This command allows non-IP traffic to be forwarded if the conditions are matched.

### permit

```
permit {any | host <src-ip-address>} | host <dest-mac-address>}
 [{aarp | amber | dec-spanning | decnet-iv | diagnostic | dsm | etype-6000 |
 etype-8042 | lat | lavc-sca | mop-console | mop-dump | msdos | mumps |
 netbios | vines-echo | vines-ip | xns-id | <protocol (0-65535)>
 | encapsype | <integer (1-65535)>] [vlan <vlan-id (1-4094)>] {priority
 <value (1-255)>}]
 [outerEtherType < integer (1-65535)>] [svlan-id <vlan-id (1-4094)>]
 [svlan-priority <value (0-7)>] [cvlan-priority <value (0-7)>]
 [{single-tag | double-tag}]
 [redirect {interface <iftype> <ifnum> | <iftype> <ifnum> [<iftype>
 <iface_list>] load-balance {src-ip | dst-ip | src-mac | dst-mac | vlanid |
 src-tcpport | dst-tcpport | src-udpport | dst-udpport}}]
 [sub-action {none | modify-vlan <short (1-4094)> | nested-vlan <short (1
 -4094)> | strip-ether-hdr}}]
 [next-filter-type {12 | 13 | user-defined} next-filter-id | <short
 (1-65535)>}]
 dp {green | yellow | red} sub-action {modify-cfi-dei <short (0-1)>}}]
 | user-priority <short (0-7)> cfi-dei <short (0-1)> sub-action {modify-dp
 {green | yellow | red} | modify-dc <short (0-7)>}
```

## Parameters

| Parameter          | Type | Description                                                                                                                                        |
|--------------------|------|----------------------------------------------------------------------------------------------------------------------------------------------------|
| any                |      | Enter to specify that packets can be forwarded from any source MAC Address.                                                                        |
| host               |      | Enter to specify the host source MAC address to be used for forwarding the packets                                                                 |
| <src-ip-address>   |      | Enter a value for the host source MAC address to be used for forwarding the packets.                                                               |
| host               |      | Enter to specify the destination MAC address from which the packets are denied.                                                                    |
| <dest-mac-address> |      | Enter a value for the destination MAC address from which the packets are denied.                                                                   |
| aarp               |      | Enter to configure the non-IP protocol type as EtherType AppleTalk Address Resolution Protocol that maps a data-link address to a network address. |
| amber              |      | Enter to configure the non-IP protocol type as the address of the host that the packet is destined for.                                            |
| dec-spanning       |      | Enter to configure the non-IP protocol type as EtherType Digital Equipment Corporation spanning tree                                               |
| decnet-iv          |      | Enter to configure the non-IP protocol type as EtherType DECnet Phase IV protocol.                                                                 |
| diagnostic         |      | Enter to configure the non-IP protocol type as EtherType DEC-Diagnostic.                                                                           |
| dsm                |      | Enter to configure the non-IP protocol type as EtherType DEC-DSM/DDP.                                                                              |
| etype-6000         |      | Enter to configure the non-IP protocol type as EtherType 0x6000.                                                                                   |
| etype-8042         |      | Enter to configure the non-IP protocol type as EtherType 0x8042.                                                                                   |
| lat                |      | Enter to configure the non-IP protocol type as EtherType DEC-LAT.                                                                                  |
| lavc-sca           |      | Enter to configure the non-IP protocol type as EtherType DEC-LAVC-SCA                                                                              |
| mop-console        |      | Enter to configure the non-IP protocol type as EtherType DEC-MOP Remote Console                                                                    |
| mop-dump           |      | Enter to configure the non-IP protocol type as EtherType DEC-MOP Dump.                                                                             |
| msdos              |      | Enter to configure the non-IP protocol type as EtherType DEC-MSDOS.                                                                                |

| Parameter               | Type | Description                                                                                                                                                                                                 |
|-------------------------|------|-------------------------------------------------------------------------------------------------------------------------------------------------------------------------------------------------------------|
| mumps                   |      | Enter to configure the non-IP protocol type as EtherType DEC-MUMPS.                                                                                                                                         |
| netbios                 |      | Enter to configure the non-IP protocol type as EtherType DEC- Network Basic Input/Output System.                                                                                                            |
| vines-echo              |      | Enter to configure the non-IP protocol type as EtherType Virtual Integrated Network                                                                                                                         |
| vines-ip                |      | Enter to configure the non-IP protocol type as EtherType VINES IP                                                                                                                                           |
| xns-id                  |      | Enter to configure the non-IP protocol type as EtherType Xerox Network Systems protocol suite                                                                                                               |
| <protocol<br>(0-65535)> |      | Enter to configure the non-IP protocol type to be filtered. This value ranges from 0 to 65535. The value 0 represents that filter is applicable for all protocols.                                          |
| encaptype               |      | Enter to configure the arbitrary ether type of a packet with Ethernet II or SNAP encapsulation in decimal                                                                                                   |
| <short<br>(1-65535)>    |      | Enter a value for the arbitrary ether type of a packet. This value ranges from 1 to 65535.                                                                                                                  |
| vlan                    |      | Enter to specify the VLAN ID to be filtered.                                                                                                                                                                |
| <vlan-id<br>(1-4094)>   |      | Enter a value for the VLAN ID. This value ranges from 1 to 4094.                                                                                                                                            |
| priority                |      | Enter to specify the priority of the filter to decide which filter rule is applicable when the packet matches with more than one filter rules. Higher value of 'filter priority' implies a higher priority. |
| <short<br>(1-255)>      |      | Enter a priority value. This value ranges from 1 to 255.                                                                                                                                                    |
| outerEtherT<br>ype      |      | Enter to specify the EtherType value to match on Service vlan tag (OutEthertype).                                                                                                                           |
| <integer<br>(1-65535)>  |      | Enter a value for OutEthertype. The value ranges from 1 to 65535                                                                                                                                            |
| svlan-id                |      | Enter to configure Service VLAN ID value to match against incoming packets.                                                                                                                                 |
| <vlan-id<br>(1-4094)>   |      | Enter a value for Service VLAN ID. This value ranges from 1 to 4094.                                                                                                                                        |
| svlan-prior<br>ity      |      | Enter to configure Customer VLAN priority value to match against incoming packets.                                                                                                                          |

| Parameter        | Type | Description                                                                                                                                                                                                                                                                                                                                                                                                                                                                                                                                                          |
|------------------|------|----------------------------------------------------------------------------------------------------------------------------------------------------------------------------------------------------------------------------------------------------------------------------------------------------------------------------------------------------------------------------------------------------------------------------------------------------------------------------------------------------------------------------------------------------------------------|
| <value<br>(0-7)> |      | Enter a Service VLAN priority value. This value ranges from 0 to 7.                                                                                                                                                                                                                                                                                                                                                                                                                                                                                                  |
| cvlan-priority   |      | Enter to configure Customer VLAN priority value to match against incoming packets.                                                                                                                                                                                                                                                                                                                                                                                                                                                                                   |
| <value<br>(0-7)> |      | Enter a customer VLAN ID value. This value ranges from 0 to 7.                                                                                                                                                                                                                                                                                                                                                                                                                                                                                                       |
| double-tag       |      | Enter to specify double tag type of the packet.                                                                                                                                                                                                                                                                                                                                                                                                                                                                                                                      |
| single-tag       |      | Enter to specify single tag type of the packet                                                                                                                                                                                                                                                                                                                                                                                                                                                                                                                       |
| redirect         |      | Enter to redirect the action to the destination interface or set of interfaces.                                                                                                                                                                                                                                                                                                                                                                                                                                                                                      |
| <iftype>         |      | Enter destination interface type. The interface can be: <ul style="list-style-type: none"> <li>fastethernet – Officially referred to as 100BASE-T standard. This is a version of LAN standard architecture that supports data transfer up to 100 Megabits per second.</li> <li>gigabitethernet – A version of LAN standard architecture that supports data transfer up to 1 Gigabit per second.</li> <li>extreme-ethernet – A version of Ethernet that supports data transfer up to 10 Gigabits per second. This Ethernet supports only full duplex links</li> </ul> |
| <ifnum>          |      | Enter to redirect the packets to the specified interface identifier. This is a unique value that represents the specific interface. This value is a combination of slot number and port number separated by a slash, for interface types Gigabitethernet, Fastethernet and Extreme-Ethernet.                                                                                                                                                                                                                                                                         |
| <iface_list<br>> |      | Enter to redirect the packets to the list of interfaces.                                                                                                                                                                                                                                                                                                                                                                                                                                                                                                             |
| load-balance     |      | Enter to specify the parameters based on which the traffic distribution needs to be done.                                                                                                                                                                                                                                                                                                                                                                                                                                                                            |
| src-ip           |      | Enter to specify that the traffic distribution is based on the source IP address.                                                                                                                                                                                                                                                                                                                                                                                                                                                                                    |
| dst-ip           |      | Enter to specify that the traffic distribution is based on the destination IP address.                                                                                                                                                                                                                                                                                                                                                                                                                                                                               |
| src-mac          |      | Enter to specify that the traffic distribution is based on the source MAC address.                                                                                                                                                                                                                                                                                                                                                                                                                                                                                   |
| dst-mac          |      | Enter to specify that the traffic distribution is based on the destination MAC address.                                                                                                                                                                                                                                                                                                                                                                                                                                                                              |

| Parameter             | Type    | Description                                                                                                                        |
|-----------------------|---------|------------------------------------------------------------------------------------------------------------------------------------|
| vlanid                |         | Enter to specify that the traffic distribution is based on the VLAN ID to be filtered.                                             |
| src-tcpport           |         | Enter to specify that the traffic distribution is based on the source TCP port number.                                             |
| dst-tcpport           |         | Enter to specify that the traffic distribution is based on the destination TCP Port number.                                        |
| src-udpport           |         | Enter to specify that the traffic distribution is based on the source UDP port number                                              |
| dst-udpport           |         | Enter to specify that the traffic distribution is based on the destination UDP port number.                                        |
| sub-action            |         | Enter to configure the VLAN specific sub action to be performed on the packet.                                                     |
| none                  |         | Enter to specify that the actions related to the VLAN ID will not be considered.                                                   |
| modify-vlan           |         | Enter to specify to modify the VLAN ID to which the packet gets classified. The packet could be an untagged or VLAN tagged packet. |
| <short<br>(1-4094)>   | Integer | Enter a value for the VLAN ID to which the packet gets classified. This value ranges from 1 to 4094.                               |
| nested-vlan           |         | Enter to specify to add an outer VLAN tag to the packet with the specified VLAN ID (nested VLAN).                                  |
| <short<br>(1-4094)>   | Integer | Enter a value for the outer VLAN tag to the packet with the specified VLAN ID. This value ranges from 1 to 4094.                   |
| none                  |         | Enter to specify that the actions related to the VLAN ID will not be considered.                                                   |
| strip-ether-<br>-hdr  |         | Enter to specify Strip outer Ethernet header for MPLS packets.                                                                     |
| next-filter-<br>-type |         | Enter to specify the type of next access-control list.                                                                             |
| L2                    |         | Enter to specify filtering to be done for MAC-based ACL.                                                                           |
| L3                    |         | Enter to specify filtering to be done for IP-based ACL.                                                                            |
| user-define<br>d      |         | Enter to specify User defined packets related configuration                                                                        |
| next-filter-<br>-id   |         | Enter to specify next filter ID related configuration                                                                              |

| Parameter            | Type | Description                                                                                                                                   |
|----------------------|------|-----------------------------------------------------------------------------------------------------------------------------------------------|
| <short<br>(1-65535)> |      | Enter a value for next filter ID related configuration.                                                                                       |
| dp                   |      | Enter to configure the packets to be forwarded based on the drop precedence.                                                                  |
| green                |      | Enter to specify drop precedence as green which implies that green packets are forwarded. This is the default                                 |
| red                  |      | Enter to specify drop precedence as red which implies that red packets are forwarded.                                                         |
| yellow               |      | Enter to specify drop precedence as yellow which implies that yellow packets are forwarded.                                                   |
| sub-action           |      | Enter to specify sub action related configuration.                                                                                            |
| modify-cfi-dei       |      | Enter to modify cfi-dei bit value in the c-vlan tag or s-vlan tag of the packet to be applied in the filter. This value can be either 0 or 1. |
| user-priority        |      | Enter to configures that the packets are forwarded based on the user priority.                                                                |
| <short<br>(0-7)>     |      | Enter a value for c-vlan user priority.                                                                                                       |
| cfi-dei              |      | Enter to configure the CFI DEI value in the c-vlan tag or s-vlan tag of the packet to be applied in the filter. The value can be 0 or 1       |
| <short<br>(0-7)>     |      | Enter a value for CFI DEI value in the c-vlan tag or s-vlan tag of the packet.                                                                |
| sub-action           |      | Enter to configure sub action to be performed on the packet.                                                                                  |
| modify-dp            |      | Enter to configure the drop-precedence.                                                                                                       |
| green                |      | Enter to specify drop precedence as green which implies that green packets are forwarded. This is the default                                 |
| red                  |      | Enter to specify drop precedence as red which implies that red packets are forwarded.                                                         |
| yellow               |      | Enter to specify drop precedence as yellow which implies that yellow packets are forwarded.                                                   |
| sub-action           |      | Enter to specify sub action related configuration.                                                                                            |
| modify-tc            |      | Enter to configure traffic class value.                                                                                                       |
| <short<br>(0-1)>     |      | Enter a traffic class value. The value ranges from 0 to 7                                                                                     |

## Mode

Extended ACL MAC Configuration Mode

## Default

- protocol - 0
- sub-action - none
- vlan-id - 0
- priority - 1
- outerEtherType - 0
- svlan-id - 0
- cvlan-priority - 1
- svlan-priority - 1
- single-tag | double-tag - Single tag

## Examples

```
iS5Comm (config)# mac access-list extended 5
```

```
iS5Comm (config-ext-macl)# permit user-priority 1 cfi-dei 1 sub-action modify-dp green
```

```
iS5Comm (config-ext-macl)# permit dp red sub-action modify-cfi-dei 1
```

```
iS5Comm (config-ext-macl)# permit any any priority 255
```

## 30.14. permit

To configure the packets to be forwarded depending upon the associated parameters, use the command **permit** in Standard *ACL* Configuration Mode. Standard IP access lists use source addresses for matching operations.

### permit

```

permit {any | host <src-ip-address> | <network-src-ip> <mask>}
 [{any | host <src-ip-address> | <network-src-ip> <mask>}]
 [redirect {interface <iftype> <ifnum> | <iftype> <iface_list> [<iftype>
<iface_list>]
 load-balance {src-ip | dst-ip | src-mac | dst-mac | vlanid | src-tcpport |
dst-tcpport | src-udpport | dst-udpport}}]
 [sub-action {none | modify-vlan <short (1-4094)> | nested-vlan <short (1
-4094)>}]
 priority <value (1-255)>

```

## Parameters

| Parameter        | Type | Description                                                                                                                                                                                                                                                                                                                                                                                                                                                                                                                                                                |
|------------------|------|----------------------------------------------------------------------------------------------------------------------------------------------------------------------------------------------------------------------------------------------------------------------------------------------------------------------------------------------------------------------------------------------------------------------------------------------------------------------------------------------------------------------------------------------------------------------------|
| any              |      | Enter to specify that packets can be forwarded from any source IP Address.                                                                                                                                                                                                                                                                                                                                                                                                                                                                                                 |
| host             |      | Enter to specify the host source IPv4 address to be used for forwarding the packets                                                                                                                                                                                                                                                                                                                                                                                                                                                                                        |
| <src-ip-address> |      | Enter a value for the host source IPv4 address to be used for forwarding the packets.                                                                                                                                                                                                                                                                                                                                                                                                                                                                                      |
| <network-src-ip> |      | Enter to specify the address of the host that the packet is from.                                                                                                                                                                                                                                                                                                                                                                                                                                                                                                          |
| <mask>           |      | Enter to specify the network mask to be used with the source IP address.                                                                                                                                                                                                                                                                                                                                                                                                                                                                                                   |
| any              |      | Enter to specify that packets can be denied to any destination                                                                                                                                                                                                                                                                                                                                                                                                                                                                                                             |
| host             |      | Enter to specify the destination IPv4 address from which the packets are denied.                                                                                                                                                                                                                                                                                                                                                                                                                                                                                           |
| <src-ip-address> |      | Enter a value for the destination IPv4 address from which the packets are denied.                                                                                                                                                                                                                                                                                                                                                                                                                                                                                          |
| <network-src-ip> |      | Enter to specify the address of the host that the packet is destined for.                                                                                                                                                                                                                                                                                                                                                                                                                                                                                                  |
| <mask>           |      | Enter to specify the network mask to use with the destination IP address                                                                                                                                                                                                                                                                                                                                                                                                                                                                                                   |
| redirect         |      | Enter to redirect the action to the destination interface or set of interfaces.                                                                                                                                                                                                                                                                                                                                                                                                                                                                                            |
| <iftype>         |      | Enter destination interface type. The interface can be: <ul style="list-style-type: none"> <li>• fastethernet – Officially referred to as 100BASE-T standard. This is a version of LAN standard architecture that supports data transfer up to 100 Megabits per second.</li> <li>• gigabitethernet – A version of LAN standard architecture that supports data transfer up to 1 Gigabit per second.</li> <li>• extreme-ethernet – A version of Ethernet that supports data transfer up to 10 Gigabits per second. This Ethernet supports only full duplex links</li> </ul> |
| <ifnum>          |      | Enter to redirect the packets to the specified interface identifier. This is a unique value that represents the specific interface. This value is a combination of slot number and port number separated by a slash, for interface types Gigabitethernet, Fastethernet and Extreme-Ethernet.                                                                                                                                                                                                                                                                               |
| <iface_list>     |      | Enter to redirect the packets to the list of interfaces.                                                                                                                                                                                                                                                                                                                                                                                                                                                                                                                   |



| Parameter        | Type    | Description                                                                                                                        |
|------------------|---------|------------------------------------------------------------------------------------------------------------------------------------|
| load-balance     |         | Enter to specify the parameters based on which the traffic distribution needs to be done.                                          |
| src-ip           |         | Enter to specify that the traffic distribution is based on the source IP address.                                                  |
| dst-ip           |         | Enter to specify that the traffic distribution is based on the destination IP address.                                             |
| src-mac          |         | Enter to specify that the traffic distribution is based on the source MAC address.                                                 |
| dst-mac          |         | Enter to specify that the traffic distribution is based on the destination MAC address.                                            |
| vlanid           |         | Enter to specify that the traffic distribution is based on the VLAN ID to be filtered.                                             |
| src-tcpport      |         | Enter to specify that the traffic distribution is based on the source TCP port number.                                             |
| dst-tcpport      |         | Enter to specify that the traffic distribution is based on the destination TCP Port number.                                        |
| src-udpport      |         | Enter to specify that the traffic distribution is based on the source UDP port number                                              |
| dst-udpport      |         | Enter to specify that the traffic distribution is based on the destination UDP port number.                                        |
| sub-action       |         | Enter to configure the VLAN specific sub action to be performed on the packet.                                                     |
| none             |         | Enter to specify that the actions related to the VLAN ID will not be considered.                                                   |
| modify-vlan      |         | Enter to specify to modify the VLAN ID to which the packet gets classified. The packet could be an untagged or VLAN tagged packet. |
| <short (1-4094)> | Integer | Enter a value for the VLAN ID to which the packet gets classified. This value ranges from 1 to 4094.                               |
| nested-vlan      |         | Enter to specify to add an outer VLAN tag to the packet with the specified VLAN ID.                                                |
| <short (1-4094)> | Integer | Enter a value for the outer VLAN tag to the packet with the specified VLAN ID. This value ranges from 1 to 4094.                   |

| Parameter       | Type    | Description                                                                                                                                                                                                     |
|-----------------|---------|-----------------------------------------------------------------------------------------------------------------------------------------------------------------------------------------------------------------|
| priority        |         | Enter to specify the priority of the filter to be decided which filter rule is applicable when the packet matches with more than one filter rules. Higher value of 'filter priority' implies a higher priority. |
| <value (1-255)> | Integer | Enter a value for the priority of the filter. This value ranges from 1 to 255.                                                                                                                                  |

## Mode

Standard ACL Configuration Mode

## Default

priority - 1

## Examples

```
iS5Comm (config)# ip access-list standard 1
```

```
iS5Comm (config-std-nacl)# permit any priority 255
```

## 30.15. permit icmp

To configure the *ICMP* (Internet Control Message Protocol) packets to be forwarded based on the associated parameters, use the command **permit icmp** in Extended ACL IP Configuration Mode.

### permit

```
permit icmp
 {any | host <src-ip-address> | <src-ip-address> <src-mask>}
 {any | host <dest-ip-address> | <dest-ip-address> <dest-mask>}
 [message-type <short (0-255)>] [message-code <short (0-255)>] {priority
<value (1-255)>}]
 [svlan-id <vlan-id (1-4094)>] [svlan-priority <value (0-7)>] [cvlan-id
<vlan-id (1-4094)>] [cvlan-priority <value (0-7)>]
 [{single-tag | double-tag}]
 [redirect {interface <iftype> <ifnum> | <iftype> <iface_list> [<iftype>
<iface_list>]}]
 load-balance {src-ip | dst-ip | src-mac | dst-mac | vlanid | src-tcpport |
dst-tcpport | src-udpport | dst-udpport}}]
```

```
[sub-action {none | modify-vlan <short (1-4094)> | nested-vlan <short (1-4094)>}]
```

## Parameters

| Parameter         | Type | Description                                                                                                                                                                                                                          |
|-------------------|------|--------------------------------------------------------------------------------------------------------------------------------------------------------------------------------------------------------------------------------------|
| icmp              |      | Enter to specify the ICMP (Internet Control Message Protocol) to be forwarded based on the associated parameters.                                                                                                                    |
| any               |      | Enter to specify that ICMP packets can be forwarded from any source.                                                                                                                                                                 |
| host              |      | Enter to specify the host source IPv4 address to be used for forwarding the packets.<br><b>NOTE:</b> Both source and destination port cannot be configured. Only either source or the destination port range can be configured.      |
| <src-ip-address>  |      | Enter a value for the host source IPv4 address to be used for forwarding the packets.                                                                                                                                                |
| <src-mask>        |      | Enter to specify the address of the host that the packet is destined for and the network mask to use with the destination IP address.                                                                                                |
| any               |      | Enter to specify that ICMP packets can be forwarded to any destination.                                                                                                                                                              |
| host              |      | Enter to specify the host destination IPv4 address to be used for forwarding the packets.<br><b>NOTE:</b> Both source and destination port cannot be configured. Only either source or the destination port range can be configured. |
| <dest-ip-address> |      | Enter a value for the host destination IPv4 address to be used for forwarding the packets.                                                                                                                                           |
| <dest-mask>       |      | Enter to specify the address of the host that the packet is destined for and the network mask to use with the destination IP address.                                                                                                |
| message-type      |      | Enter to configure the ICMP Message type to be checked against the packet. The packet is allowed if it matches with the message type.                                                                                                |

| Parameter          | Type    | Description                                                                                                                                                                                                                                                                                                                                                                                                                                                                                                                                                                                                                                                                                                         |
|--------------------|---------|---------------------------------------------------------------------------------------------------------------------------------------------------------------------------------------------------------------------------------------------------------------------------------------------------------------------------------------------------------------------------------------------------------------------------------------------------------------------------------------------------------------------------------------------------------------------------------------------------------------------------------------------------------------------------------------------------------------------|
| <short<br>(0-255)> | Integer | <p>Enter a ICMP Message type. This value ranges from 0 to 255. Some of the ICMP message types are:</p> <ul style="list-style-type: none"> <li>• Value ICMP Message type</li> <li>• 0 Echo reply</li> <li>• 3 Destination unreachable</li> <li>• 4 Source quench</li> <li>• 5 Redirect</li> <li>• 8 Echo request</li> <li>• 11 Time exceeded</li> <li>• 12 Parameter problem</li> <li>• 13 Timestamp request</li> <li>• 14 Timestamp reply</li> <li>• 15 Information request</li> <li>• 16 Information reply</li> <li>• 17 Address mask request</li> <li>• 18 Address mask reply</li> <li>• 55 No ICMP type</li> </ul>                                                                                               |
| message-code       |         | Enter to configure the ICMP Message code to be checked against the packet. The packet is allowed if it matches with the message type.                                                                                                                                                                                                                                                                                                                                                                                                                                                                                                                                                                               |
| <short<br>(0-255)> | Integer | <p>Enter a ICMP Message code. This value ranges from 0 to 255. Some of the ICMP message Codes are:</p> <ul style="list-style-type: none"> <li>• Value ICMP code</li> <li>• 0 Network unreachable</li> <li>• 1 Host unreachable</li> <li>• 2 Protocol unreachable</li> <li>• 3 Port unreachable</li> <li>• 4 Fragment needed</li> <li>• 5 Source route fail</li> <li>• 6 Destination network unknown</li> <li>• 7 Destination host unknown</li> <li>• 8 Source host isolated</li> <li>• 9 Destination network administratively prohibited</li> <li>• 10 Destination host administratively prohibited</li> <li>• 11 Network unreachable TOS</li> <li>• 12 Host unreachable TOS</li> <li>• 255 No ICMP code</li> </ul> |

| Parameter             | Type    | Description                                                                                                                                                                                                   |
|-----------------------|---------|---------------------------------------------------------------------------------------------------------------------------------------------------------------------------------------------------------------|
| priority              |         | Enter to configure the priority of the filter to decide which filter rule is applicable when the packet matches with more than one filter rules. Higher value of 'filter priority' implies a higher priority. |
| <short<br>(1-255)>    | Integer | Enter a priority value. This value ranges from 1 to 255.                                                                                                                                                      |
| svlan-id              |         | Enter to configure Service VLAN value to match against incoming packets.                                                                                                                                      |
| <vlan-id<br>(1-4094)> | Integer | Enter a value for Service VLAN. This value ranges from 1 to 4094.                                                                                                                                             |
| svlan-priori<br>ty    |         | Enter to specify Service VLAN related configuration.                                                                                                                                                          |
| <value<br>(0-7)>      | Integer | Enter a Service VLAN ID value. This value ranges from 0 to 7.                                                                                                                                                 |
| cvlan-id              |         | Enter to configure Customer VLAN value to match against incoming packets.                                                                                                                                     |
| <vlan-id<br>(1-4094)> | Integer | Enter a value for Customer VLAN value to match against incoming packets.                                                                                                                                      |
| cvlan-priori<br>ty    |         | Enter to configure Customer VLAN priority value to match against incoming packets.                                                                                                                            |
| <value<br>(0-7)>      |         | Enter a customer vlan ID value. This value ranges from 0 to 7.                                                                                                                                                |
| double-tag            |         | Enter to specify that the filter is to be applied on double VLAN tagged packets                                                                                                                               |
| single-tag            |         | Enter to specify that the filter is to be applied on Single VLAN tagged packets                                                                                                                               |
| redirect              |         | Enter to redirect the action to the destination interface or set of interfaces.                                                                                                                               |

| Parameter    | Type | Description                                                                                                                                                                                                                                                                                                                                                                                                                                                                                                                                                          |
|--------------|------|----------------------------------------------------------------------------------------------------------------------------------------------------------------------------------------------------------------------------------------------------------------------------------------------------------------------------------------------------------------------------------------------------------------------------------------------------------------------------------------------------------------------------------------------------------------------|
| <iftype>     |      | Enter destination interface type. The interface can be: <ul style="list-style-type: none"> <li>fastethernet – Officially referred to as 100BASE-T standard. This is a version of LAN standard architecture that supports data transfer up to 100 Megabits per second.</li> <li>gigabitethernet – A version of LAN standard architecture that supports data transfer up to 1 Gigabit per second.</li> <li>extreme-ethernet – A version of Ethernet that supports data transfer up to 10 Gigabits per second. This Ethernet supports only full duplex links</li> </ul> |
| <ifnum>      |      | Enter to redirect the packets to the specified interface identifier. This is a unique value that represents the specific interface. This value is a combination of slot number and port number separated by a slash, for interface types Gigabitethernet, Fastethernet and Extreme-Ethernet.                                                                                                                                                                                                                                                                         |
| <iface_list> |      | Enter to redirect the packets to the list of interfaces.                                                                                                                                                                                                                                                                                                                                                                                                                                                                                                             |
| load-balance |      | Enter to specify the parameters based on which the traffic distribution needs to be done.                                                                                                                                                                                                                                                                                                                                                                                                                                                                            |
| src-ip       |      | Enter to specify that the traffic distribution is based on the source IP address.                                                                                                                                                                                                                                                                                                                                                                                                                                                                                    |
| dst-ip       |      | Enter to specify that the traffic distribution is based on the destination IP address.                                                                                                                                                                                                                                                                                                                                                                                                                                                                               |
| src-mac      |      | Enter to specify that the traffic distribution is based on the source MAC address.                                                                                                                                                                                                                                                                                                                                                                                                                                                                                   |
| dst-mac      |      | Enter to specify that the traffic distribution is based on the destination MAC address.                                                                                                                                                                                                                                                                                                                                                                                                                                                                              |
| vlanid       |      | Enter to specify that the traffic distribution is based on the VLAN ID to be filtered.                                                                                                                                                                                                                                                                                                                                                                                                                                                                               |
| src-tcpport  |      | Enter to specify that the traffic distribution is based on the source TCP port number.                                                                                                                                                                                                                                                                                                                                                                                                                                                                               |
| dst-tcpport  |      | Enter to specify that the traffic distribution is based on the destination TCP Port number.                                                                                                                                                                                                                                                                                                                                                                                                                                                                          |
| src-udpport  |      | Enter to specify that the traffic distribution is based on the source UDP port number                                                                                                                                                                                                                                                                                                                                                                                                                                                                                |
| dst-udpport  |      | Enter to specify that the traffic distribution is based on the destination UDP port number.                                                                                                                                                                                                                                                                                                                                                                                                                                                                          |

| Parameter           | Type    | Description                                                                                                                        |
|---------------------|---------|------------------------------------------------------------------------------------------------------------------------------------|
| sub-action          |         | Enter to configure the VLAN specific sub action to be performed on the packet.                                                     |
| none                |         | Enter to specify that the actions related to the VLAN ID will not be considered.                                                   |
| modify-vlan         |         | Enter to specify to modify the VLAN ID to which the packet gets classified. The packet could be an untagged or VLAN tagged packet. |
| <short<br>(1-4094)> | Integer | Enter a value for the VLAN ID to which the packet gets classified. This value ranges from 1 to 4094.                               |
| nested-vlan         |         | Enter to specify to add an outer VLAN tag to the packet with the specified VLAN ID (nested VLAN).                                  |
| <short<br>(1-4094)> | Integer | Enter a value for the outer VLAN tag to the packet with the specified VLAN ID. This value ranges from 1 to 4094.                   |

## Mode

Extended ACL IP Configuration Mode

## Default

- dscp - 1
- priority - 1
- svlan-id - 0
- svlan-priority - 1
- cvlan-id - 0
- cvlan-priority - 1
- single-tag | double-tag - Single tag

## Examples

```
iS5Comm (config)# ip access-list extended 1001
```

```
iS5Comm (config-ext-nacl)# permit icmp any 14.0.0.0 255.0.0.0 message-type 0 message-code 18
priority 22 svlan-id 2 svlan-priority 2 cvlan-id 2 cvlan-priority 2 double-tag redirect interface gigabiteth-
ernet 0/10 sub-action none
```

```
iS5Comm (config-ext-nacl)#
```



## 30.16. permit tcp

To configure the *TCP* packets to be forwarded based on the associated parameters, use the command **permit tcp** in Extended *ACL* IP Configuration Mode.

### permit

```

permit tcp
 {any | host <src-ip-address>} | <src-ip-address> <src-mask>
 [{gt <port-number (1-65535)> | lt <port-number (1-65535)> | eg <port-number
(1-65535)> | range <port-number (1-65535)> <port-number (1-65535)>}]
 {any | host <dest-ip-address>} | <dest-ip-address> <dest-mask>
 [{gt <port-number (1-65535)> | lt <port-number (1-65535)> | eg <port-number
(1-65535)> | range <port-number (1-65535)> <port-number (1-65535)>}] [{ack |
rst}]
 [{tos {max-reliability | max-throughput | min-delay | normal |<value(0-7)>}
| dscp <value (0-63)>}] {priority <value (1-255)>}]
 [svlan-id <vlan-id (1-4094)>] [svlan-priority <value (0-7)>] [cvlan-id
<vlan-id (1-4094)>] [cvlan-priority <value (0-7)>]
 [{single-tag | double-tag}]
 [redirect {interface <iftype> <ifnum> | <iftype> <iface_list> [<iftype>
<iface_list>]}
 load-balance {src-ip | dst-ip | src-mac | dst-mac | vlanid | src-tcpport |
dst-tcpport | src-udpport | dst-udpport}]
 [sub-action {none | modify-vlan <short (1-4094)> | nested-vlan <short (1
-4094)>}]

```

## Parameters

| Parameter               | Type | Description                                                                                                                                                                                                                          |
|-------------------------|------|--------------------------------------------------------------------------------------------------------------------------------------------------------------------------------------------------------------------------------------|
| tcp                     |      | Enter to configure the TCP packets to be forwarded based on the associated parameters.                                                                                                                                               |
| any                     |      | Enter to specify that TCP packets can be forwarded from any source.                                                                                                                                                                  |
| host                    |      | Enter to specify the host source IPv4 address to be used for forwarding the packets.<br><b>NOTE:</b> Both source and destination port cannot be configured. Only either source or the destination port range can be configured.      |
| <src-ip-address>        |      | Enter a value for the host source IPv4 address to be used for forwarding the packets.                                                                                                                                                |
| <src-mask>              |      | Enter to specify the network mask to be used with the destination IP address.                                                                                                                                                        |
| gt                      |      | Enter to allow only the TCP control packets having the TCP source port numbers greater than the specified port number.                                                                                                               |
| <port-number (1-65535)> |      | Enter a value for the port number. This value ranges from 1 to 65535.                                                                                                                                                                |
| lt                      |      | Enter to allow only the TCP control packets having the TCP source port numbers lesser than the specified port number.                                                                                                                |
| <port-number (1-65535)> |      | Enter a value for the port number. This value ranges from 1 to 65535.                                                                                                                                                                |
| eq                      |      | Enter to allow only the TCP control packets having the specified TCP source port number.                                                                                                                                             |
| <port-number (1-65535)> |      | Enter a value for the port number. This value ranges from 1 to 65535.                                                                                                                                                                |
| range                   |      | Enter to allow only the TCP control packets having the TCP source port numbers within the specified range.                                                                                                                           |
| <port-number (1-65535)> |      | Enter a value for the port number. This value ranges from 1 to 65535.                                                                                                                                                                |
| any                     |      | Enter to specify that TCP packets can be forwarded to any destination.                                                                                                                                                               |
| host                    |      | Enter to specify the host destination IPv4 address to be used for forwarding the packets.<br><b>NOTE:</b> Both source and destination port cannot be configured. Only either source or the destination port range can be configured. |

| Parameter               | Type | Description                                                                                                                           |
|-------------------------|------|---------------------------------------------------------------------------------------------------------------------------------------|
| <dest-ip-address>       |      | Enter a value for the host destination IPv4 address to be used for forwarding the packets.                                            |
| <dest-mask>             |      | Enter to specify the address of the host that the packet is destined for and the network mask to use with the destination IP address. |
| gt                      |      | Enter to allow only the TCP control packets having the TCP destination port numbers greater than the specified port number.           |
| <port-number (1-65535)> |      | Enter a value for the port number. This value ranges from 1 to 65535.                                                                 |
| lt                      |      | Enter to allow only the TCP control packets having the TCP destination port numbers lesser than the specified port number.            |
| <port-number (1-65535)> |      | Enter a value for the port number. This value ranges from 1 to 65535.                                                                 |
| eq                      |      | Enter to allow only the TCP control packets having the specified TCP destination port number.                                         |
| <port-number (1-65535)> |      | Enter a value for the port number. This value ranges from 1 to 65535.                                                                 |
| range                   |      | Enter to allow only the TCP control packets having the TCP destination port numbers within the specified range.                       |
| <port-number (1-65535)> |      | Enter a value for the port number. This value ranges from 1 to 65535.                                                                 |
| ack                     |      | Enter to configure the TCP ACK bit to be checked against the packet.                                                                  |
| rst                     |      | Enter to configure the TCP RST bit to be checked against the packet.                                                                  |
| tos                     |      | Enter to allow the TCP packets based on the following type of service configuration.                                                  |
| max-reliability         |      | Enter to allow the TCP packets having TOS field set as high reliability.                                                              |
| max-throughput          |      | Enter to allow the TCP packets having TOS field set as high throughput.                                                               |
| min-delay               |      | Enter to allow the TCP packets having TOS field set as low delay                                                                      |
| normal                  |      | Enter to allow all TCP packets. Does not check for the TOS field in the packets.                                                      |

| Parameter           | Type | Description                                                                                                                                                                                                                                                                                                                                                                                                                                                                                                                                                                                                                                                                                                                                                                                                                                                                                                                                                                                                        |
|---------------------|------|--------------------------------------------------------------------------------------------------------------------------------------------------------------------------------------------------------------------------------------------------------------------------------------------------------------------------------------------------------------------------------------------------------------------------------------------------------------------------------------------------------------------------------------------------------------------------------------------------------------------------------------------------------------------------------------------------------------------------------------------------------------------------------------------------------------------------------------------------------------------------------------------------------------------------------------------------------------------------------------------------------------------|
| <value (0-7) >      |      | <p>Enter to allow the protocol packets based on the TOS value set. This value ranges from 0 to 7. This value represents different combination of TOS.</p> <ul style="list-style-type: none"> <li>• 0 - Allows all protocol packets. Does not check for the TOS field in the packets.</li> <li>• 1 - Allows the protocol packets having TOS field set as high reliability.</li> <li>• 2 - Allows the protocol packets having TOS field set as high throughput.</li> <li>• 3 - Allows the protocol packets having TOS field set either as high reliability or high throughput.</li> <li>• 4 - Allows the protocol packets having TOS field set as low delay.</li> <li>• 5 - Allows the protocol packets having TOS field set either as low delay or high reliability.</li> <li>• 6 - Allows the protocol packets having TOS field set either as low delay or high throughput.</li> <li>• 7 - Allows the protocol packets having TOS field set either as low delay or high reliability or high throughput.</li> </ul> |
| dscp                |      | Enter to configure the Differentiated Services Code Point (DSCP) value to be checked against the packet                                                                                                                                                                                                                                                                                                                                                                                                                                                                                                                                                                                                                                                                                                                                                                                                                                                                                                            |
| <value ((0-63)) >   |      | Enter a DSCP value. This value provides the quality of service control. This value ranges from 0 to 63.                                                                                                                                                                                                                                                                                                                                                                                                                                                                                                                                                                                                                                                                                                                                                                                                                                                                                                            |
| priority            |      | Enter to configure the priority of the filter to decide which filter rule is applicable when the packet matches with more than one filter rules. Higher value of 'filter priority' implies a higher priority.                                                                                                                                                                                                                                                                                                                                                                                                                                                                                                                                                                                                                                                                                                                                                                                                      |
| <short (1-255) >    |      | Enter a priority value. This value ranges from 1 to 255.                                                                                                                                                                                                                                                                                                                                                                                                                                                                                                                                                                                                                                                                                                                                                                                                                                                                                                                                                           |
| svlan-id            |      | Enter to configure Service VLAN value to match against incoming packets.                                                                                                                                                                                                                                                                                                                                                                                                                                                                                                                                                                                                                                                                                                                                                                                                                                                                                                                                           |
| <vlan-id (1-4094) > |      | Enter a value for Service VLAN. This value ranges from 1 to 4094.                                                                                                                                                                                                                                                                                                                                                                                                                                                                                                                                                                                                                                                                                                                                                                                                                                                                                                                                                  |
| svlan-priority      |      | Enter to specify Service VLAN related configuration.                                                                                                                                                                                                                                                                                                                                                                                                                                                                                                                                                                                                                                                                                                                                                                                                                                                                                                                                                               |
| <value (0-7) >      |      | Enter a Service VLAN ID value. This value ranges from 0 to 7.                                                                                                                                                                                                                                                                                                                                                                                                                                                                                                                                                                                                                                                                                                                                                                                                                                                                                                                                                      |
| cvlan-id            |      | Enter to configure Customer VLAN value to match against incoming packets.                                                                                                                                                                                                                                                                                                                                                                                                                                                                                                                                                                                                                                                                                                                                                                                                                                                                                                                                          |

| Parameter             | Type | Description                                                                                                                                                                                                                                                                                                                                                                                                                                                                                                                                                                |
|-----------------------|------|----------------------------------------------------------------------------------------------------------------------------------------------------------------------------------------------------------------------------------------------------------------------------------------------------------------------------------------------------------------------------------------------------------------------------------------------------------------------------------------------------------------------------------------------------------------------------|
| <vlan-id<br>(1-4094)> |      | Enter a value for customer VLAN ID.                                                                                                                                                                                                                                                                                                                                                                                                                                                                                                                                        |
| cvlan-priority        |      | Enter to configure Customer VLAN priority value to match against incoming packets.                                                                                                                                                                                                                                                                                                                                                                                                                                                                                         |
| <value<br>(0-7)>      |      | Enter a customer vlan ID value. This value ranges from 0 to 7.                                                                                                                                                                                                                                                                                                                                                                                                                                                                                                             |
| double-tag            |      | Enter to specify that the filter is to be applied on double VLAN tagged packets                                                                                                                                                                                                                                                                                                                                                                                                                                                                                            |
| single-tag            |      | Enter to specify that the filter is to be applied on Single VLAN tagged packets                                                                                                                                                                                                                                                                                                                                                                                                                                                                                            |
| redirect              |      | Enter to redirect the action to the destination interface or set of interfaces.                                                                                                                                                                                                                                                                                                                                                                                                                                                                                            |
| <iftype>              |      | Enter destination interface type. The interface can be: <ul style="list-style-type: none"> <li>• fastethernet – Officially referred to as 100BASE-T standard. This is a version of LAN standard architecture that supports data transfer up to 100 Megabits per second.</li> <li>• gigabitethernet – A version of LAN standard architecture that supports data transfer up to 1 Gigabit per second.</li> <li>• extreme-ethernet – A version of Ethernet that supports data transfer up to 10 Gigabits per second. This Ethernet supports only full duplex links</li> </ul> |
| <ifnum>               |      | Enter to redirect the packets to the specified interface identifier. This is a unique value that represents the specific interface. This value is a combination of slot number and port number separated by a slash, for interface types Gigabitethernet, Fastethernet and Extreme-Ethernet.                                                                                                                                                                                                                                                                               |
| <iface_list>          |      | Enter to redirect the packets to the list of interfaces.                                                                                                                                                                                                                                                                                                                                                                                                                                                                                                                   |
| load-balance          |      | Enter to specify the parameters based on which the traffic distribution needs to be done.                                                                                                                                                                                                                                                                                                                                                                                                                                                                                  |
| src-ip                |      | Enter to specify that the traffic distribution is based on the source IP address.                                                                                                                                                                                                                                                                                                                                                                                                                                                                                          |
| dst-ip                |      | Enter to specify that the traffic distribution is based on the destination IP address.                                                                                                                                                                                                                                                                                                                                                                                                                                                                                     |
| src-mac               |      | Enter to specify that the traffic distribution is based on the source MAC address.                                                                                                                                                                                                                                                                                                                                                                                                                                                                                         |

| Parameter           | Type    | Description                                                                                                                        |
|---------------------|---------|------------------------------------------------------------------------------------------------------------------------------------|
| dst-mac             |         | Enter to specify that the traffic distribution is based on the destination MAC address.                                            |
| vlanid              |         | Enter to specify that the traffic distribution is based on the VLAN ID to be filtered.                                             |
| src-tcpport         |         | Enter to specify that the traffic distribution is based on the source TCP port number.                                             |
| dst-tcpport         |         | Enter to specify that the traffic distribution is based on the destination TCP Port number.                                        |
| src-udpport         |         | Enter to specify that the traffic distribution is based on the source UDP port number                                              |
| dst-udpport         |         | Enter to specify that the traffic distribution is based on the destination UDP port number.                                        |
| sub-action          |         | Enter to configure the VLAN specific sub action to be performed on the packet.                                                     |
| none                |         | Enter to specify that the actions related to the VLAN ID will not be considered.                                                   |
| modify-vlan         |         | Enter to specify to modify the VLAN ID to which the packet gets classified. The packet could be an untagged or VLAN tagged packet. |
| <short<br>(1-4094)> | Integer | Enter a value for the VLAN ID to which the packet gets classified. This value ranges from 1 to 4094.                               |
| nested-vlan         |         | Enter to specify to add an outer VLAN tag to the packet with the specified VLAN ID (nested VLAN).                                  |
| <short<br>(1-4094)> | Integer | Enter a value for the outer VLAN tag to the packet with the specified VLAN ID. This value ranges from 1 to 4094.                   |

## Mode

Extended ACL IP Configuration Mode

## Default

- any -Source and Destination address are not checked.
- gt - 0 (the packets are not checked for TCP port number)
- lt - 0 (the packets are not checked for TCP port number)
- eq - 0 (the packets are not checked for TCP port number)
- range - 0 for minimum port number, 65535 for maximum port number.

- tos-value - 0
- dscp - 1
- priority - 1
- svlan-id - 0
- svlan-priority - 1
- cvlan-id - 0
- cvlan-priority - 1
- single-tag | double-tag - Single tag

## Examples

```
iS5Comm (config)# ip access-list extended 1001
iS5Comm (config-ext-nacl)# permit tcp any any priority 255
iS5Comm (config-ext-nacl)#
```

## 30.17. permit udp

To specify the UDP (User Datagram Protocol) packets to be forwarded based on the associated parameters, use the command **permit udp** in Extended ACL IP Configuration Mode.

### permit

```
permit udp
 {any | host <src-ip-address>} | <src-ip-address> <src-mask>}
 [{gt <port-number (1-65535)> | lt <port-number (1-65535)> | eg <port-number
(1-65535)> | range <port-number (1-65535)> <port-number (1-65535)>}]
 {any | host <dest-ip-address>} | <dest-ip-address> <dest-mask>}
 [{gt <port-number (1-65535)> | lt <port-number (1-65535)> | eg <port-number
(1-65535)> | range <port-number (1-65535)> <port-number (1-65535)>}] [{ack |
rst}]
 [{tos {max-reliability | max-throughput | min-delay | normal |<value(0-7)>}
| dscp <value (0-63)>}] {priority <value (1-255)>}]
 [svlan-id <vlan-id (1-4094)>] [svlan-priority <value (0-7)>] [cvlan-id
<vlan-id (1-4094)>] [cvlan-priority <value (0-7)>]
 [{single-tag | double-tag}]
 [redirect {interface <iftype> <ifnum> | <iftype> <iface_list> [<iftype>
<iface_list>]}
 load-balance {src-ip | dst-ip | src-mac | dst-mac | vlanid | src-tcpport |
dst-tcpport | src-udpport | dst-udpport}}]
```

```
[sub-action {none | modify-vlan <short (1-4094)> | nested-vlan <short (1-4094)>}]
```



## Parameters

| Parameter               | Type | Description                                                                                                                                                                                                                          |
|-------------------------|------|--------------------------------------------------------------------------------------------------------------------------------------------------------------------------------------------------------------------------------------|
| udp                     |      | Enter to specify the UDP (User Datagram Protocol) to be forwarded based on the associated parameters.                                                                                                                                |
| any                     |      | Enter to specify that UDP packets can be forwarded from any source.                                                                                                                                                                  |
| host                    |      | Enter to specify the host source IPv4 address to be used for forwarding the packets.<br><b>NOTE:</b> Both source and destination port cannot be configured. Only either source or the destination port range can be configured.      |
| <src-ip-address>        |      | Enter a value for the host source IPv4 address to be used for forwarding the packets.                                                                                                                                                |
| <src-mask>              |      | Enter to specify the address of the host that the packet is destined for and the network mask to use with the destination IP address.                                                                                                |
| gt                      |      | Enter to allow only the UDP control packets having the UDP source port numbers greater than the specified port number.                                                                                                               |
| <port-number (1-65535)> |      | Enter a value for the port number. This value ranges from 1 to 65535.                                                                                                                                                                |
| lt                      |      | Enter to allow only the UDP control packets having the UDP source port numbers lesser than the specified port number.                                                                                                                |
| <port-number (1-65535)> |      | Enter a value for the port number. This value ranges from 1 to 65535.                                                                                                                                                                |
| eq                      |      | Enter to allow only the UDP control packets having the specified UDP source port number.                                                                                                                                             |
| <port-number (1-65535)> |      | Enter a value for the port number. This value ranges from 1 to 65535.                                                                                                                                                                |
| range                   |      | Enter to allow only the UDP control packets having the UDP source port numbers within the specified range.                                                                                                                           |
| <port-number (1-65535)> |      | Enter a value for the port number. This value ranges from 1 to 65535.                                                                                                                                                                |
| any                     |      | Enter to specify that UDP packets can be forwarded to any destination.                                                                                                                                                               |
| host                    |      | Enter to specify the host destination IPv4 address to be used for forwarding the packets.<br><b>NOTE:</b> Both source and destination port cannot be configured. Only either source or the destination port range can be configured. |

| Parameter               | Type | Description                                                                                                                           |
|-------------------------|------|---------------------------------------------------------------------------------------------------------------------------------------|
| <dest-ip-address>       |      | Enter a value for the host destination IPv4 address to be used for forwarding the packets.                                            |
| <dest-mask>             |      | Enter to specify the address of the host that the packet is destined for and the network mask to use with the destination IP address. |
| gt                      |      | Enter to allow only the UDP control packets having the UDP destination port numbers greater than the specified port number.           |
| <port-number (1-65535)> |      | Enter a value for the port number. This value ranges from 1 to 65535.                                                                 |
| lt                      |      | Enter to allow only the UDP control packets having the UDP destination port numbers lesser than the specified port number.            |
| <port-number (1-65535)> |      | Enter a value for the port number. This value ranges from 1 to 65535.                                                                 |
| eq                      |      | Enter to allow only the UDP control packets having the specified UDP destination port number.                                         |
| <port-number (1-65535)> |      | Enter a value for the port number. This value ranges from 1 to 65535.                                                                 |
| range                   |      | Enter to allow only the UDP control packets having the UDP destination port numbers within the specified range.                       |
| <port-number (1-65535)> |      | Enter a value for the port number. This value ranges from 1 to 65535.                                                                 |
| tos                     |      | Enter to allow the UDP packets based on the following type of service configuration.                                                  |
| max-reliability         |      | Enter to allow the UDP packets having TOS field set as high reliability.                                                              |
| max-throughput          |      | Enter to allow the UDP packets having TOS field set as high throughput.                                                               |
| min-delay               |      | Enter to allow the UDP packets having TOS field set as low delay                                                                      |
| normal                  |      | Enter to allow all UDP packets. Does not check for the TOS field in the packets.                                                      |

| Parameter           | Type | Description                                                                                                                                                                                                                                                                                                                                                                                                                                                                                                                                                                                                                                                                                                                                                                                                                                                                                                                                                                                                        |
|---------------------|------|--------------------------------------------------------------------------------------------------------------------------------------------------------------------------------------------------------------------------------------------------------------------------------------------------------------------------------------------------------------------------------------------------------------------------------------------------------------------------------------------------------------------------------------------------------------------------------------------------------------------------------------------------------------------------------------------------------------------------------------------------------------------------------------------------------------------------------------------------------------------------------------------------------------------------------------------------------------------------------------------------------------------|
| <value (0-7) >      |      | <p>Enter to allow the protocol packets based on the TOS value set. This value ranges from 0 to 7. This value represents different combination of TOS.</p> <ul style="list-style-type: none"> <li>• 0 - Allows all protocol packets. Does not check for the TOS field in the packets.</li> <li>• 1 - Allows the protocol packets having TOS field set as high reliability.</li> <li>• 2 - Allows the protocol packets having TOS field set as high throughput.</li> <li>• 3 - Allows the protocol packets having TOS field set either as high reliability or high throughput.</li> <li>• 4 - Allows the protocol packets having TOS field set as low delay.</li> <li>• 5 - Allows the protocol packets having TOS field set either as low delay or high reliability.</li> <li>• 6 - Allows the protocol packets having TOS field set either as low delay or high throughput.</li> <li>• 7 - Allows the protocol packets having TOS field set either as low delay or high reliability or high throughput.</li> </ul> |
| dscp                |      | Enter to configure the Differentiated Services Code Point (DSCP) value to be checked against the packet                                                                                                                                                                                                                                                                                                                                                                                                                                                                                                                                                                                                                                                                                                                                                                                                                                                                                                            |
| <value ((0-63) >    |      | Enter a DSCP value. This value provides the quality of service control. This value ranges from 0 to 63.                                                                                                                                                                                                                                                                                                                                                                                                                                                                                                                                                                                                                                                                                                                                                                                                                                                                                                            |
| priority            |      | Enter to configure the priority of the filter to decide which filter rule is applicable when the packet matches with more than one filter rules. Higher value of 'filter priority' implies a higher priority.                                                                                                                                                                                                                                                                                                                                                                                                                                                                                                                                                                                                                                                                                                                                                                                                      |
| <short (1-255) >    |      | Enter a priority value. This value ranges from 1 to 255.                                                                                                                                                                                                                                                                                                                                                                                                                                                                                                                                                                                                                                                                                                                                                                                                                                                                                                                                                           |
| svlan-id            |      | Enter to configure Service VLAN value to match against incoming packets.                                                                                                                                                                                                                                                                                                                                                                                                                                                                                                                                                                                                                                                                                                                                                                                                                                                                                                                                           |
| <vlan-id (1-4094) > |      | Enter a value for Service VLAN. This value ranges from 1 to 4094.                                                                                                                                                                                                                                                                                                                                                                                                                                                                                                                                                                                                                                                                                                                                                                                                                                                                                                                                                  |
| svlan-priority      |      | Enter to specify the Service VLAN priority value to match against incoming packets.                                                                                                                                                                                                                                                                                                                                                                                                                                                                                                                                                                                                                                                                                                                                                                                                                                                                                                                                |
| <value (0-7) >      |      | Enter a Service VLAN priority value. This value ranges from 0 to 7.                                                                                                                                                                                                                                                                                                                                                                                                                                                                                                                                                                                                                                                                                                                                                                                                                                                                                                                                                |
| cvlan-id            |      | Enter to configure Customer VLAN value to match against incoming packets.                                                                                                                                                                                                                                                                                                                                                                                                                                                                                                                                                                                                                                                                                                                                                                                                                                                                                                                                          |

| Parameter             | Type | Description                                                                                                                                                                                                                                                                                                                                                                                                                                                                                                                                                                |
|-----------------------|------|----------------------------------------------------------------------------------------------------------------------------------------------------------------------------------------------------------------------------------------------------------------------------------------------------------------------------------------------------------------------------------------------------------------------------------------------------------------------------------------------------------------------------------------------------------------------------|
| <vlan-id<br>(1-4094)> |      | Enter a value for Customer VLAN value to match against incoming packets.                                                                                                                                                                                                                                                                                                                                                                                                                                                                                                   |
| cvlan-priority        |      | Enter to configure Customer VLAN priority value to match against incoming packets.                                                                                                                                                                                                                                                                                                                                                                                                                                                                                         |
| <value<br>(0-7)>      |      | Enter a customer vlan ID value. This value ranges from 0 to 7.                                                                                                                                                                                                                                                                                                                                                                                                                                                                                                             |
| double-tag            |      | Enter to specify that the filter is to be applied on double VLAN tagged packets                                                                                                                                                                                                                                                                                                                                                                                                                                                                                            |
| single-tag            |      | Enter to specify that the filter is to be applied on Single VLAN tagged packets                                                                                                                                                                                                                                                                                                                                                                                                                                                                                            |
| redirect              |      | Enter to redirect the action to the destination interface or set of interfaces.                                                                                                                                                                                                                                                                                                                                                                                                                                                                                            |
| <iftype>              |      | Enter destination interface type. The interface can be: <ul style="list-style-type: none"> <li>• fastethernet – Officially referred to as 100BASE-T standard. This is a version of LAN standard architecture that supports data transfer up to 100 Megabits per second.</li> <li>• gigabitethernet – A version of LAN standard architecture that supports data transfer up to 1 Gigabit per second.</li> <li>• extreme-ethernet – A version of Ethernet that supports data transfer up to 10 Gigabits per second. This Ethernet supports only full duplex links</li> </ul> |
| <ifnum>               |      | Enter to redirect the packets to the specified interface identifier. This is a unique value that represents the specific interface. This value is a combination of slot number and port number separated by a slash, for interface types Gigabitethernet, Fastethernet and Extreme-Ethernet.                                                                                                                                                                                                                                                                               |
| <iface_list>          |      | Enter to redirect the packets to the list of interfaces.                                                                                                                                                                                                                                                                                                                                                                                                                                                                                                                   |
| load-balance          |      | Enter to specify the parameters based on which the traffic distribution needs to be done.                                                                                                                                                                                                                                                                                                                                                                                                                                                                                  |
| src-ip                |      | Enter to specify that the traffic distribution is based on the source IP address.                                                                                                                                                                                                                                                                                                                                                                                                                                                                                          |
| dst-ip                |      | Enter to specify that the traffic distribution is based on the destination IP address.                                                                                                                                                                                                                                                                                                                                                                                                                                                                                     |
| src-mac               |      | Enter to specify that the traffic distribution is based on the source MAC address.                                                                                                                                                                                                                                                                                                                                                                                                                                                                                         |

| Parameter           | Type    | Description                                                                                                                        |
|---------------------|---------|------------------------------------------------------------------------------------------------------------------------------------|
| dst-mac             |         | Enter to specify that the traffic distribution is based on the destination MAC address.                                            |
| vlanid              |         | Enter to specify that the traffic distribution is based on the VLAN ID to be filtered.                                             |
| src-tcpport         |         | Enter to specify that the traffic distribution is based on the source TCP port number.                                             |
| dst-tcpport         |         | Enter to specify that the traffic distribution is based on the destination TCP Port number.                                        |
| src-udpport         |         | Enter to specify that the traffic distribution is based on the source UDP port number                                              |
| dst-udpport         |         | Enter to specify that the traffic distribution is based on the destination UDP port number.                                        |
| sub-action          |         | Enter to configure the VLAN specific sub action to be performed on the packet.                                                     |
| none                |         | Enter to specify that the actions related to the VLAN ID will not be considered.                                                   |
| modify-vlan         |         | Enter to specify to modify the VLAN ID to which the packet gets classified. The packet could be an untagged or VLAN tagged packet. |
| <short<br>(1-4094)> | Integer | Enter a value for the VLAN ID to which the packet gets classified. This value ranges from 1 to 4094.                               |
| nested-vlan         |         | Enter to specify to add an outer VLAN tag to the packet with the specified VLAN ID (nested VLAN).                                  |
| <short<br>(1-4094)> | Integer | Enter a value for the outer VLAN tag to the packet with the specified VLAN ID. This value ranges from 1 to 4094.                   |

## Mode

Extended ACL IP Configuration Mode

## Default

- dscp - 1
- priority - 1
- svlan-id - 0
- svlan-priority - 1
- cvlan-id - 0

- cvlan-priority - 1
- single-tag | double-tag - Single tag

## Examples

```
iS5Comm (config)# ip access-list extended 1001
iS5Comm (config-ext-nacl)# permit udp any any priority 1
iS5Comm (config-ext-nacl)#
```

## 30.18. rate-limit

To enable the rate limiting by configuring the egress packet rate of an interface, use the command **rate-limit** in Interface Configuration Mode. The no form of this command disables the rate limiting on an egress port.

### rate-limit

```
rate-limit {output {rate-value <integer(0-80000000)> | pause | <packet rate
(1-2800)>}}
```

### no rate-limit

```
no rate-limit {output [rate-limit] | pause}
```

## Parameters

| Parameter              | Type    | Description                                                                                                                                                                                        |
|------------------------|---------|----------------------------------------------------------------------------------------------------------------------------------------------------------------------------------------------------|
| output                 |         | Enter to configure the egress packet rate of an interface.                                                                                                                                         |
| rate-value             |         | Enter to configure the rate-limit for the interface in Kbps. This is the number of packets that can be transferred on the port at a particular second.                                             |
| <integer (1-80000000)> | Integer | Enter a value for the rate-limit for the interface in Kbps. This value ranges from 0 to 80000000.<br><b>NOTE:</b> The value 0 disables rate limiting for the port. It sets the port to full speed. |
| pause                  |         | Enter to configure that pause frames are sent.                                                                                                                                                     |
| <packet rate (1-2800)> | Integer | Enter a value for the packet rate above which pause frames are sent. This value ranges from 1 to 2800 packets per second.                                                                          |
| rate-limit             |         | Enter to disable the rate limiting rate limiting on an egress port. This is a part of the no form of the command.                                                                                  |

## Mode

Interface Configuration Mode

## Default

- rate-value - 0

## Examples

```
iS5Comm # configure terminal
iS5Comm (config)# interface gigabit 0/1
iS5Comm (config-if)# rate-limit output rate-value 1000
```

## 30.19. show access-lists

To display the access lists configuration, use the command **show access-lists** in Privileged EXEC Mode.

### show access-lists

```
show access-lists
```

```
[{ip <access-list-number(1-65535)>
| mac <access-list-number(1-65535)>
| user-defined <access-list-number(1-65535)>}]
| <access-list-number(1-65535)>
```

## Parameters

| Parameter                     | Type | Description                                                                                                                        |
|-------------------------------|------|------------------------------------------------------------------------------------------------------------------------------------|
| ip                            |      | Enter to configure the configurations for the specified IP access-list to be displayed.                                            |
| <access-list-number(1-65535)> |      | Enter a value for the configurations for the specified IP access-list to be displayed. The value ranges from 1 to 65535.           |
| mac                           |      | Enter to configure the configurations for the specified MAC access-list to be displayed.                                           |
| <access-list-number(1-65535)> |      | Enter a value for the configurations for the specified MAC access-list to be displayed. The value ranges from 1 to 65535.          |
| user-defined                  |      | Enter to configure the configurations for the specified user-defined access-list to be displayed.                                  |
| <access-list-number(1-65535)> |      | Enter a value for the configurations for the specified user-defined access-list to be displayed. The value ranges from 1 to 65535. |
| <access-list-number(1-65535)> |      | Enter a value for the configurations for the specified access-list to be displayed. The value ranges from 1 to 65535.              |

## Mode

Privileged EXEC Mode

## Examples

iS5Comm# show access-list

```
IP ACCESS LISTS

Standard IP Access List 1

Filter Priority : 10
IP address Type : IPV4
Source IP address : 0.0.0.0
```



```

Source IP address mask : 0.0.0.0
Source IP Prefix Length : 0
Destination IP address : 0.0.0.0
Destination IP address mask : 0.0.0.0
Destination IP Prefix Length : 0
Flow Identifier : 0
In Port List : NIL
Out Port List : NIL
Filter Action : Deny
Redirect Port List : NIL
TrafficDistField : Unknown
Sub Action : NONE
Sub Action Id : 0
Status : InActive
Extended IP Access List 1001

Filter Priority : 1
Filter Protocol Type : ICMP
ICMP type : No
ICMP types to be filtered ICMP code : No ICMP
codes to be filtered
IP address Type : IPV4
Source IP address : 0.0.0.0
Source IP address mask : 0.0.0.0
Source IP Prefix Length : 0
Destination IP address : 0.0.0.0
Destination IP address mask : 0.0.0.0
Destination IP Prefix Length : 0
Flow Identifier : 0
In Port List : NIL
Out Port List : NIL
Service Vlan : 0
Service Vlan Priority : 0
Customer Vlan : 0
Customer Vlan Priority : None
Packet Tag Type : Single-tag
Filter Action : Deny
Redirect Port List : NIL
TrafficDistField : Unknown
Sub Action : NONE
Sub Action Id : 0

```

Status : InActive

MAC ACCESS LISTS

-----  
Extended MAC Access List 2  
-----

Filter Priority : 1  
 Ether Type : 0  
 Protocol Type : 0  
 VLAN ID : 0  
 Destination MAC Address : 00:00:00:00:00:00  
 Source MAC Address : 00:00:00:00:00:00  
 In Port List : NIL  
 Out Port List : NIL  
 Outer EtherType : 0  
 Service Vlan : 0  
 Service Vlan Priority : None  
 Customer Vlan Priority : None  
 Packet Tag Type : Single-tag  
 Drop precedence value : 3  
 Filter Action : Permit  
 Redirect Port List : NIL  
 TrafficDistField : Unknown  
 Sub Action : MODIFY  
 CFI/DEI Sub Action Id : 1  
 Status : InActive

-----  
Extended MAC Access List 5  
-----

Filter Priority : 1  
 Ether Type : 0  
 Protocol Type : 0  
 VLAN ID : 0  
 Destination MAC Address : 00:00:00:00:00:00  
 Source MAC Address : 00:00:00:00:00:00  
 In Port List : Gi0/10  
 Out Port List : NIL  
 Outer EtherType : 0  
 Service Vlan : 0  
 Service Vlan Priority : None

```

Customer Vlan Priority : None
Packet Tag Type : Single-tag
Filter Action : Permit
Redirect Port List : NIL
TrafficDistField : Unknown
Sub Action : NONE
Sub Action Id : 0
Status : Active

```

#### USER DEFINED LISTS

```

User Defined Access List 2

```

```

Priority : 1
Packet Type : User-Defined
Offset Base : L2
Offset Position :
Offset Value :
Filter Action : Permit
In Port List : NIL
Filter One Type : None
Filter Id : 0
Filter Two Type : None
Filter Id : 0
Redirect Port List : NIL
TrafficDistField : Unknown
Sub Action : NONE
Sub Action Id : 0
Status : InActive

```

## 30.20. show egress access-list mode

To display the egress filter mode configuration, use the command **show egress access-list mode** in Privileged EXEC Mode.

### show egress access-list mode

```
show egress access-list mode
```

## Mode

Privileged EXEC Mode

## Examples

```
iS5Comm# show egress access-list mode
 Egress Filter Mode : IP
```

## 30.21. show interfaces rate-limit

To display the interface status and configuration, use the command **show interfaces rate-limit** in Privileged EXEC Mode.

### show interfaces rate-limit

```
show interfaces rate-limit
```

## Mode

Privileged EXEC Mode

## Examples

```
iS5Comm# show interfaces rate-limit
Gi0/1
Port Control Rate Limit : 64 kbps
Port Control Burst Size : 32 kbits

Gi0/2
Port Control Rate Limit : 0 kbps
Port Control Burst Size : 0 kbits

Gi0/3
Port Control Rate Limit : 0 kbps
Port Control Burst Size : 0 kbits
```

## 30.22. show interfaces storm-control

To display interface status and configuration, use the command **show interfaces storm-control** in Privileged EXEC Mode.

## show interfaces storm-control

```
show interfaces storm-control
```

## Mode

Privileged EXEC Mode

## Examples

```
iS5Comm# show interfaces storm-control
```

```
Gi0/1
DLF Storm Control : Disabled
Broadcast Storm Control : Enabled
Broadcast Storm Control Limit : 1000
```

```
Multicast Storm Control : Disabled
```

```
Gi0/2
DLF Storm Control : Disabled
Broadcast Storm Control : Disabled
Multicast Storm Control : Disabled
```

## 30.23. storm-control

To set the storm control rate for broadcast, multicast, and DLF packets, use the command **storm-control** in Interface Configuration Mode. The no form of this command deletes the configured storm control rate for broadcast, multicast, and DLF packets to the default value.

### storm-control

```
storm-control {broadcast |multicast | dlf} level <rate-value (1-262143)>
```

### no storm-control

```
no storm-control <access-list-number (1-65535)> {in | out}
```

## Parameters

| Parameter                  | Type    | Description                                                                                                                                                |
|----------------------------|---------|------------------------------------------------------------------------------------------------------------------------------------------------------------|
| broadcast                  |         | Enter to set the storm control rate for Broadcast packets.                                                                                                 |
| multicast                  |         | Enter to set the storm control rate for Multicast packets.                                                                                                 |
| dlf                        |         | Enter to set the storm control rate for Destination lookup failure (dlf) packets.<br><b>NOTE:</b> Redirect Filter is not applicable for out bound packets. |
| level                      |         | Enter to configure the storm control suppression level.                                                                                                    |
| <rate-value<br>(1-262143)> | Integer | Enter a value for the storm control rate for Destination lookup failure (dlf) packets. This value ranges from 1 to 262143 packets per second.              |

## Mode

Interface Configuration Mode

## Default

Broadcast, multicast, and DLF storm control are disabled.

## Prerequisites

Storm control is supported only on physical interfaces.

The above configurations are applicable per port level in ingress direction, not per device level. The value configured in level, should be applicable to the type (broadcast/multicast/dlf) whichever is configured.

## Examples

```
iS5Comm (config)# interface gigabit 0/1
iS5Comm (config-if)# storm-control broadcast level 1000
iS5Comm (config-if)# end
iS5Comm # show interfaces storm-control
```

# VRRP

## 31. VRRP

The Virtual Router Redundancy Protocol (*VRRP*) is a standard first hop redundancy protocol that specifies an election protocol that dynamically assigns responsibility for a virtual router (VR) to one of the *VRRP* routers on a LAN. The *VRRP* router controlling the IP address(es) associated with a virtual router is called the Master and it forwards packets sent to these IP addresses. The election process provides dynamic failover in the forwarding responsibility, when the Master becomes unavailable. This will allow any virtual router (Master) IP addresses on the *LAN* to be used as the default gate for the hosts. The advantage of using *VRRP* is to provide a redundancy for the default gateways which used by endpoints.

In the *VRRP*, the Master router is responsible for forwarding the data packets received for *VRRP MAC* address. Backup routers listen for advertisement packets from the Master. In the case that Backup routers do not receive advertisement packets for a certain period of time from the Master, an election will start between backup routers to elect the new Master for *VRRP* interface.

### 31.1. VRRP Definitions

The following table gives definitions for some of the features used in this document.

## Definitions

| Acronym                                 | Definitions                                                                                                                                                                                                                                                                                                                                                                                                                                                                                                                |
|-----------------------------------------|----------------------------------------------------------------------------------------------------------------------------------------------------------------------------------------------------------------------------------------------------------------------------------------------------------------------------------------------------------------------------------------------------------------------------------------------------------------------------------------------------------------------------|
| <b>Accept Mode</b>                      | Controls whether a virtual router in Master state will accept packets addressed to the virtual IP address ( <i>VRRP</i> IP address). The default is False. Deployments that rely on, for example, pinging the address owner's IPvX address may wish to configure Accept Mode to True.                                                                                                                                                                                                                                      |
| <b>Preempt Mode</b>                     | Controls whether a (starting or restarting) higher-priority Backup router preempts a lower-priority Master router.                                                                                                                                                                                                                                                                                                                                                                                                         |
| <b>Primary IP Address</b>               | An IPv4 address is selected from the set of real interface addresses. In IPv4 mode, <i>VRRP</i> advertisements are always sent using the primary IPv4 address as the source of the IPv4 packet. For adding a secondary IP address, the use the secondary one should be explicitly specified.                                                                                                                                                                                                                               |
| <b>Priority</b>                         | Priority value to be used by this <i>VRRP</i> router in Master election for this virtual router. The value of 255 (decimal) is reserved for the router that owns the IP address associated with the virtual router. The value of 0 (zero) is reserved for the Master router to indicate it is releasing responsibility for the virtual router. The range 1-254 (decimal) is available for <i>VRRP</i> routers backing up the virtual router. Higher values indicate higher priorities. The default value is 100 (decimal). |
| <b>Router Advertisement</b>             | This is an <i>VRRP</i> packet used by routers to advertise their presence together with various link and Internet parameters either periodically. Router Advertisements contain prefixes that are used for determining whether another address shares the same link (on-link determination) and/or address configuration, a suggested hop limit value, etc.                                                                                                                                                                |
| <b>VRRP Router</b>                      | A router running <i>VRRP</i> . It may participate as one or more virtual routers.                                                                                                                                                                                                                                                                                                                                                                                                                                          |
| <b>Virtual Router (VR)</b>              | An abstract object managed by <i>VRRP</i> that acts as a default router for hosts on a shared LAN. It consists of a Virtual Router Identifier and either a set of associated IPv4 addresses or a set of associated addresses across a common LAN. A <i>VRRP</i> Router may back up one or more virtual routers. The scope of each virtual router is restricted to a single LAN.                                                                                                                                            |
| <b>Virtual Router Master</b>            | The <i>VRRP</i> router that is assuming responsibility of forwarding packets sent to the IP address(es) associated with the virtual router answering <i>ARP</i> requests.                                                                                                                                                                                                                                                                                                                                                  |
| <b>Virtual Router Identifier (VRID)</b> | This is the <i>VRRP</i> group number. It is configurable item in the range 1-255 (decimal). There is no default.                                                                                                                                                                                                                                                                                                                                                                                                           |

## Reference

These definitions have been taken from



1) Network Working Group, RFC 3768 Virtual Router Redundancy Protocol (VRRP)

<https://tools.ietf.org/html/rfc3768>

## 31.2. auth-deprecate

To configure the interface related information, use the command **auth-deprecate** in VRRP Configuration Mode.

### auth-deprecate

```
auth-deprecate {disable | enable}
```

### Parameters

| Parameter | Type | Description                                           |
|-----------|------|-------------------------------------------------------|
| disable   |      | Enter to disable the Authentication Deprecation flag. |
| enable    |      | Enter to enable the Authentication Deprecation flag   |

### Mode

VRRP Configuration Mode

### Examples

```
iS5Comm(config)# router vrrp
iS5Comm (config-vrrp)# vrrp version v3
```

## 31.3. interface

To configure the interface related information, use the command **interface** in VRRP Configuration Mode.

### interface

```
interface {<ipiftype> | Extreme-Ethernet <0>/<1-28> | Gigabitethernet
<0>/<1-28> | vlan <vlan_vfi_id>}
```

### no interface

```
no interface
```

## Parameters

| Parameter                           | Type    | Description                                                                                                                                                                     |
|-------------------------------------|---------|---------------------------------------------------------------------------------------------------------------------------------------------------------------------------------|
| <code>ipiftype</code>               |         | Enter to set IP interface type.                                                                                                                                                 |
| <code>Extreme-Ethernet</code>       |         | Enter to enable extreme Ethernet interface. This is a version of Ethernet that supports data transfer up to 10 Gbits per second. This Ethernet supports only full duplex links. |
| <code>&lt;0&gt;/&lt;1-28&gt;</code> |         | Enter to set slot number/port number.                                                                                                                                           |
| <code>Gigabitethernet</code>        |         | Enter to enable Gigabit Ethernet interface. This is a version of LAN standard architecture that supports data transfer up to 1 Gigabit per second.                              |
| <code>vlan</code>                   | Integer | Enter for VLAN related configuration.                                                                                                                                           |
| <code>&lt;vlan_vfi_id&gt;</code>    |         | Enter a value for the range. the range for VLAN ID is from 1 to 4094 and from 4096 to 65535 for VFI.                                                                            |

## Mode

VRRP Configuration Mode

## Examples

```
iS5Comm(config)# router vrrp
iS5Comm(config-vrrp)# interface vlan 55
```

## 31.4. router vrrp

To enable *VRRP* in the router and enter the *VRRP* Configuration Mode, use the command **router vrrp** in Global Configuration Mode. The **no** form of the command disables the *VRRP*.

### router vrrp

```
router vrrp
```

### no router vrrp

```
no router vrrp
```

## Mode

Global Configuration Mode

## Examples

```
iS5Comm (config)# router vrrp
```

```
iS5Comm (config-vrrp)#
```

## 31.5. track

To enable Link Track or IP track feature, use the command **track** in Global Configuration Mode. The **no** form of the command resets the number of links tracked if number of links is configured or disables the IP track feature.

### track

```
track <group-index> {IPv4 address <IpAddress> | {interface {Extreme-Ethernet
<0>/<1-28> | GigabitEthernet <0>/<1-28> | vlan <vlan_vfi_id>} | links
<1-255>}}
```

### no track

```
no track <group-index> {IPv4 address <IpAddress> | {interface
{Extreme-Ethernet <0>/<1-28> | GigabitEthernet <0>/<1-28> | vlan
<vlan_vfi_id>} | links}}
```

## Link-track and IP-track

In a Link-track, if uplink of the Master fails, the forwarding capability of the router will be affected. In this case, Link-track feature is used. When an uplink of Master *VRRP* router goes down, a trigger is given to decrement Master router's priority, and after that, election process begins. Thus, Backup becomes Master Router and forwarding capability is carried by Backup router.

If any one of the uplinks comes up, the Master will send *VRRP* advertisement with its original priority and becomes Master. For example, in the current scenario, the number of links tracked can be 2. This means, that the number of links tracked is 2, and when any two uplinks of the Master go down, then, a trigger will be sent to the Master. Then, the Master will send the *VRRP* advertisement with the decreased priority, which is configured in *VRRP* instance as decrement priority.

In IP-track, if the tracked destination fails, the forwarding capability will be affected. In case, IP-tracking feature is used. When tracked IP address of Master *VRRP* router goes down, a trigger is given to decrement Master router's priority, and after that, election process begins. Thus, Backup becomes Master Router and forwarding capability is carried by Backup router.

When the uplink on the Master router changes its status to online, the reverse process occurs. The previous Master router advertises with original Priority, and after election, the previous Master becomes Master again.

## Parameters

| Parameter        | Type    | Description                                                                                                                                                                                                                             |
|------------------|---------|-----------------------------------------------------------------------------------------------------------------------------------------------------------------------------------------------------------------------------------------|
| ipiftype         |         | Enter to set IP interface type.                                                                                                                                                                                                         |
| IPv4             |         | Enter to enable IPv4 related configuration                                                                                                                                                                                              |
| address          |         | Enter to set the IP address of the node to be pinged.                                                                                                                                                                                   |
| <IpAddress>      |         | Enter a value to specify the IP address of the node to be pinged                                                                                                                                                                        |
| interface        |         | Enter for interface related configuration.                                                                                                                                                                                              |
| Extreme-Ethernet |         | Enter to enable extreme Ethernet interface. This is a version of Ethernet that supports data transfer up to 10 Gbits per second. This Ethernet supports only full duplex links.                                                         |
| <0>/<1-28>       |         | Enter to set slot number/port number.                                                                                                                                                                                                   |
| GigabitEthernet  |         | Enter to enable Gigabit Ethernet interface. This is a version of LAN standard architecture that supports data transfer up to 1 Gigabit per second.                                                                                      |
| vlan             | Integer | Enter for VLAN related configuration.                                                                                                                                                                                                   |
| <vlan_vfi_id>    |         | Enter a value for the range. the range for VLAN ID is from 1 to 4094 and from 4096 to 65535 for VFI.                                                                                                                                    |
| links            |         | Enter the number of links to be tracked for the VRRP instance. By default, the number of links tracked is All (i.e. when all three uplinks of the Master go down, the Master will send the VRRP advertisement with decreased priority). |
| <1-255>          |         | Enter to set tracked links value.                                                                                                                                                                                                       |

## Mode

Global Configuration Mode

## Examples

```
iS5Comm(config)# track 30 interface vlan 1
```

## 31.6. vrrp

For the *VRRP* deployment on an interface, use the command **vrrp** in *VRRP* Interface Configuration Mode. The no form of the command resets all configured parameters.

### vrrp

```
vrrp {<vrid (1-255)>
 {accept-mode {disable | enable}
 | authentication {none | text <password>}
 | ip {<ip_addr> [secondary] | A.B.C.D <ip_addr>} | AAAA::BBBB <ipv6_addr>}
 | accept-mode {disable | enable} | preempt [delay minimum <value(0-30)>] |
 priority <priority (1-254)> | timer {advertise [msec] <interval(1-255secs) /
 (10-255000msecs)> | msec <interval(1-255secs) / (10-255000msecs)> | track
 <group-index (1-4294967295)> decrement <1-254>}
 | preempt [delay minimum <value (0-30)>]
 | priority <priority (1-254)>
 | text-authentication <password>}
 | timer {advertise [msec] <interval(1-255secs)/(10-255000msecs)> | msec
 <interval(1-255secs)/(10-255000msecs)>
 | timers {advertise [msec] <interval(1-255secs)/(10-255000msecs)> | msec
 <interval(1-255secs)/(10-255000msecs)>
 | track <group-index (1-4294967295)> decrement <1-254>}
 | group shutdown}
```

### no vrrp

```
no vrrp {<vrid (1-255)> [ipv4] {preempt | priority | timer | track} | ip
{<ip_addr> [secondary] | text-authentication}
```

## Parameters

| Parameter                 | Type    | Description                                                                                                                                                                                                                                                                                                                                                                                  |
|---------------------------|---------|----------------------------------------------------------------------------------------------------------------------------------------------------------------------------------------------------------------------------------------------------------------------------------------------------------------------------------------------------------------------------------------------|
| <vrid(1-255)>             | Integer | Enter to set the virtual router's (VR)'s ID.                                                                                                                                                                                                                                                                                                                                                 |
| accept-mode               |         | Enter to configure Accept mode. Enabling Accept mode allows the Master VRRP device to respond to ping, traceroute, and Telnet/ SSH packets.                                                                                                                                                                                                                                                  |
| disable                   |         | Enter to disable Accept mode. This is the default option.                                                                                                                                                                                                                                                                                                                                    |
| enable                    |         | Enter to enable Accept mode.                                                                                                                                                                                                                                                                                                                                                                 |
| authentication            |         | Enter to set authentication-related configuration. VRRP uses the authentication type associated with the interfaces on which the virtual router is defined. VRRP text authentication can be configured to authenticate VRRP packets. An advertisement packet will get discarded if the authentication key in the packet does not match the locally configured value.                         |
| none                      |         | Enter for no authentication.                                                                                                                                                                                                                                                                                                                                                                 |
| text                      |         | Enter to set clear text authentication. A simple text password can be used.                                                                                                                                                                                                                                                                                                                  |
| <password>                |         | Enter a value for authentication password used to validate the incoming VRRP packets.                                                                                                                                                                                                                                                                                                        |
| ip                        |         | Enter to specify the IP address of a virtual router (VR). A VR can be associated with more than one IP address. When a router becomes the Master for an instance, it replies to the ARP request(s) for all associated with the VRRP instance IP addresses.                                                                                                                                   |
| <ip_addr>                 |         | Enter a value for the IP address. The format is A.B.C.D                                                                                                                                                                                                                                                                                                                                      |
| secondary                 |         | Enter to specify secondary IP Address.                                                                                                                                                                                                                                                                                                                                                       |
| A.B.C.D<br><ip_addr>      |         | Enter a value for the IP address. The format is A.B.C.D                                                                                                                                                                                                                                                                                                                                      |
| AAAA::BBBB<br><ipv6_addr> |         | Enter a value for IPv6 address.                                                                                                                                                                                                                                                                                                                                                              |
| preempt                   |         | Enter to specify which router becomes the master router and enable Preempt mode. Preemption of a backup VRRP device acting as a master device is allowed when another backup device has a higher priority. By default, preemption is enabled for VRRP. In VRRP, preemption allows a backup device with the highest priority to become the master device when the master device goes offline. |

| Parameter                                 | Type    | Description                                                                                                                                                                                                                                                                                                                     |
|-------------------------------------------|---------|---------------------------------------------------------------------------------------------------------------------------------------------------------------------------------------------------------------------------------------------------------------------------------------------------------------------------------|
| delay                                     |         | Enter to specify the number of seconds the router delays before issuing an advertisement claiming virtual IP address ownership to be the master router. By default preempt is Enabled and the delay value is 0 seconds (no delay).                                                                                              |
| minimum                                   |         | Enter to specify the minimum number of seconds.                                                                                                                                                                                                                                                                                 |
| <value (0-30)>                            | Integer | Enter a value for minimum number of seconds the router delays before issuing an advertisement claiming virtual IP address ownership to be the master router.                                                                                                                                                                    |
| priority                                  |         | Enter to establish a priority for a VR. A VR can be configured with a priority so that the router with higher priority will become the Master for that instance.                                                                                                                                                                |
| <priority (1-254)>                        | Integer | Enter a value for the priority for a VR. Priority can be configured from 1 to 254, with 1 being the lowest priority. A priority of 255 is used for the router that owns the associated IP address associated with the virtual router. The default is 110.                                                                       |
| timer / timers                            |         | Enter to configure the interval between successive advertisements by the Master Router. The VRRP Master router sends a router advertisement at regular intervals to convey to the backup routers that the Master is alive. By default, the advertisement interval value is 1 second.                                            |
| advertise                                 |         | Enter to set the advertisement timer.                                                                                                                                                                                                                                                                                           |
| msec                                      |         | Enter to specify that the unit is changed to milli-seconds.                                                                                                                                                                                                                                                                     |
| <interval (1-255secs) / (10-255000msecs)> | Integer | Enter a value for the he interval between successive advertisements by the Master Router acceptable range for version 2 is (1-255 secs)/(100-255000 msecs) / acceptable range for version 2-3 and version 3 is (1-40 secs)/(10-40950 msecs). For example, timer 5 will configure the advertisement timer interval as 5 seconds. |
| track                                     |         | Enter to configure tracking of the priority for a VR based on an interface.                                                                                                                                                                                                                                                     |
| <group-index (1-429496729)>               | Integer | Enter a value for group Index Value.                                                                                                                                                                                                                                                                                            |
| decrement                                 |         | Enter to configure the decrement.                                                                                                                                                                                                                                                                                               |
| <1-254>                                   | Integer | Enter a value for the decrement with a default of 10.                                                                                                                                                                                                                                                                           |
| text-authentication                       |         | Enter to set authentication password to be used to validate the incoming VRRP packet.                                                                                                                                                                                                                                           |

| Parameter    | Type | Description                                                                           |
|--------------|------|---------------------------------------------------------------------------------------|
| <random_str> |      | Enter a value for authentication password used to validate the incoming VRRP packets. |
| group        |      | Enter to set group related configuration.                                             |
| shutdown     |      | Enter to shut down the VRRP feature.                                                  |

## Mode

VRRP Interface Configuration Mode

## Examples

```
iS5Comm(config)# router vrrp
iS5Comm (config-vrrp)# interface vlan 1
iS5Comm(config-vrrp-if)# vrrp 1 accept-mode enable
iS5Comm(config-vrrp-if)# vrrp 1 authentication text 1234
iS5Comm(config-vrrp-if)# vrrp 1 ipv4 192.168.10.3
iS5Comm(config-vrrp-if)# vrrp 1 ipv4 192.168.10.4
iS5Comm(config-vrrp-if)# vrrp 1 preempt
iS5Comm(config-vrrp-if)# vrrp 1 priority 200
iS5Comm(config-vrrp-if)# vrrp 1 vrrp 1 text-authentication 1234
iS5Comm(config-vrrp-if)# vrrp 1 timer 5
iS5Comm(config-vrrp-if)# vrrp 1 timer msec 5000
iS5Comm(config-vrrp-if)# vrrp 1 timers advertise 5
iS5Comm(config-vrrp-if)# vrrp 1 track 30 decrement 150
iS5Comm(config-vrrp-if)# vrrp group shutdown
```

## 31.7. vrrp version

To configure the *VRRP* version, use the command **vrrp version** in VRRP Configuration Mode.

### vrrp version

```
vrrp version {v2 | v2-v3 | v3}
```



## Parameters

| Parameter | Type | Description                                                                                                                                                                                                                                                                                                                                                                                                                                                             |
|-----------|------|-------------------------------------------------------------------------------------------------------------------------------------------------------------------------------------------------------------------------------------------------------------------------------------------------------------------------------------------------------------------------------------------------------------------------------------------------------------------------|
| v2        |      | Enter to enable <i>VRRP</i> Version 2. <i>VRRP</i> version 2 is intended for use with IPv4 routers only. For <i>VRRPv2</i> , no authentication methods are supported; these are deprecated in the <i>VRRPv2</i> specification as they do not provide any additional security over the base protocol. For details, see RFC 3768 Virtual Router Redundancy Protocol ( <i>VRRP</i> ) <a href="https://tools.ietf.org/html/rfc3768">https://tools.ietf.org/html/rfc3768</a> |
| v2-v3     |      | Enter to enable both <i>VRRP</i> Version 2 and Version 3. Use this mode to switch between both versions.                                                                                                                                                                                                                                                                                                                                                                |
| v3        |      | Enter to enable <i>VRRP</i> Version 3. <i>VRRP</i> version 3 ( <i>VRRPv3</i> ) introduces IPv6 address support. For details, see RFC 5798 Virtual Router Redundancy Protocol ( <i>VRRP</i> ) Version 3 for IPv4 and IPv6, <a href="https://tools.ietf.org/html/rfc5798">https://tools.ietf.org/html/rfc5798</a>                                                                                                                                                         |

## Mode

VRRP Configuration Mode

## Default

v2

## Examples

```
iS5Comm(config)# router vrrp
```

```
iS5Comm(config-vrrp)# vrrp version v3
```

## 31.8. ip-tracking

To set the *VRRP* IP tracking feature, use the command **ip-tracking** in *VRRP* Configuration Mode. The *VRRP* object tracking describes how to track an IP object using a *VRRPv3* group. Each *VRRP* group can track multiple objects that may affect the priority of the *VRRP* device. *VRRP* is notified of any changes to a specified object to be tracked. *VRRP* increments (or decrements) the priority of the virtual device based on the state of the object being tracked. The no form of the disables the IP tracking configuration.

### ip-tracking

```
ip-tracking
```

```
{query-delay <short (2-60)>
```

```
| query-success <short (1-10)>
```

```
| ping-frequency <short(1-5)>
| pings-per-query <short(1-10)>
| connectivity-success <short(1-10)>
| connectivity-failure <short(1-10)>}
```

**no ip-tracking**

```
no ip-tracking {query-delay | query-success | ping-frequency |
pings-per-query | connectivity-success | connectivity-failure}
```

## Parameters

| Parameter            | Type    | Description                                                                                                 |
|----------------------|---------|-------------------------------------------------------------------------------------------------------------|
| query-delay          |         | Enter to configure delay between consecutive tracking queries                                               |
| <short (2-60)>       | Integer | Enter a value for the delay between consecutive tracking queries; default is 5.                             |
| query-success        |         | Enter to configure the number of successful pings per tracking query for it to be a success.                |
| <short (1-10)>       | Integer | Enter a value for the number of successful pings per tracking query for it to be a success; default is 4    |
| ping-frequency       |         | Enter to configure frequency of pings within a tracking query (pings per second).                           |
| <short (1-5)>        | Integer | Enter a value for the frequency of pings within a tracking query (pings per second); default is 2/sec       |
| pings-per-query      |         | Enter to configure number of pings per tracking query.                                                      |
| <short (1-10)>       | Integer | Enter a value for the number of pings / tracking query; default is 5.                                       |
| connectivity-success |         | Enter to configure number of consecutive successful tracking queries for raising the priority.              |
| <short (1-10)>       | Integer | Enter a value for number of consecutive successful tracking queries for raising the priority; default is 5. |
| connectivity-failure |         | Enter to configure number of failed tracking queries for lowering the priority.                             |
| <short (1-10)>       | Integer | Enter a value for the number of failed tracking queries for lowering the priority; default is 2             |

## Mode

VRRP Configuration Mode

## Prerequisites

The VRRP IP Tracking Feature only works for VRRP Version 3. Include as follows:

```
iS5Comm(config-vrrp)# vrrp version v3
```

Create a track group in Global Configuration Mode before setting the VRRP tracking feature.

## Examples

```
i5Comm(config)# router vrrp
i5Comm(config-vrrp)# vrrp version v3
i5Comm(config-vrrp)# ip-tracking query-delay 2
i5Comm(config-vrrp)# ip-tracking query-success 1
i5Comm(config-vrrp)# ip-tracking pings-per-query 2
i5Comm(config-vrrp)# ip-tracking ping-frequency 2
i5Comm(config-vrrp)# ip-tracking connectivity-success 1
i5Comm(config-vrrp)# ip-tracking connectivity-failure 1
```

## 31.9. show running vrrp

To display the current operating *VRRP* configuration in the system, use the command **show running vrrp** in Privileged EXEC Mode.

### show running vrrp

```
show running vrrp
```

### Mode

Privileged EXEC Mode

### Examples

```
i5Comm# show running vrrp
#Building configuration...
!
!
track 30 interface vlan 1
router vrrp
vrrp version v3
interface vlan 1
vrrp 1 ipv4 192.168.10.4
vrrp 1 priority 200
vrrp 1 timer 5
vrrp 1 accept-mode enable
```

```
vrp 1 track 30 decrement 150
end
!
end
```

## 31.10. show track

To display the *VRRP* track group Information., use the command **show track** in Privileged EXEC Mode.

### show track

```
show track
```

### Mode

Privileged EXEC Mode

### Examples

```
iS5Comm# show track
```

```
Track Group Information for Group 30

Number of Links Required to go down for state transition: 0
Interfaces Tracked are

vlan 1
```

## 31.11. show vrrp

To display the *VRRP* status, use the command **show vrrp** in Privileged EXEC Mode. The options are brief, detail, interface, and statistics.

### show vrrp

```
show vrrp {brief | detail | interface <ipiftype> {Extreme-Ethernet
<0>/<1-28> | Gigabitethernet <0>/<1-28>} | statistics}
```

## Parameters

| Parameter        | Type | Description                                                                                                                                                                                       |
|------------------|------|---------------------------------------------------------------------------------------------------------------------------------------------------------------------------------------------------|
| brief            |      | Enter to display brief information.                                                                                                                                                               |
| detail           |      | Enter to display detailed information.                                                                                                                                                            |
| interface        |      | Enter to display interface related configuration.                                                                                                                                                 |
| <ipiftype>       |      | Enter to identify IP interface type to be displayed.                                                                                                                                              |
| Extreme-Ethernet |      | Enter to identify extreme Ethernet interface to be displayed. This is a version of Ethernet that supports data transfer up to 10 Gbits per second. This Ethernet supports only full duplex links. |
| <0>/<1-28>       |      | Enter to identify slot number/port number to be displayed.                                                                                                                                        |
| Gigabitethernet  |      | Enter to identify Gigabit Ethernet interface to be displayed. This is a version of LAN standard architecture that supports data transfer up to 1 Gigabit per second.                              |
| statistics       |      | Enter to display statistics related information.                                                                                                                                                  |

## Mode

Privileged EXEC Mode

## Examples

iS5Comm# show vrrp

P indicates configured to preempt

```
Interface vrID Prio P State Master Address VRouter Address
```

```

```

```
vlan1 1 200 P Master 192.168.10.1 192.168.10.3
```

iS5Comm# show vrrp brief

P indicates configured to preempt

```
Interface vrID Prio P State Master Address VRouter Address
```

```

```

```
vlan1 1 200 P Master 192.168.10.1 192.168.10.3
```

### iS5Comm# show vrrp detail

```
lan1 - vrID 1

State is Master
Virtual IP address is 192.168.10.3
Virtual MAC address is 00:00:5e:00:01:01
Master router is 192.168.10.1
Associated IpAddresses :

192.168.10.3
Advertise time is 5000 milli secs
Current priority is 200
Configured priority is 200, may preempt
Tracked Group is 30, Decrement Priority is 150
Tracked Group is UP
Accept Mode is Enabled
Time Since Virtual Router is UP is 00:08:57
```

### iS5Comm(config)# show vrrp interface

P indicates configured to preempt

| Interface | vrID | Prio | P | State  | Master Address | VRouter Address |
|-----------|------|------|---|--------|----------------|-----------------|
| vlan1     | 1    | 200  | P | Master | 192.168.10.1   | 192.168.10.3    |

### iS5Comm# show vrrp interface gi 0/1 1

P indicates configured to preempt

| Interface | vrID | Prio | P | State | Master Address | VRouter Address |
|-----------|------|------|---|-------|----------------|-----------------|
|           |      |      |   |       |                |                 |

### iS5Comm# show vrrp statistics

```
RRP Statistics

Router Checksum Errors : 0
Router Version Errors : 0
Router VrId Errors : 0
```

```
vlan1 - vrID 1

Transitions to Master : 13
Advertisements Received : 0
Advertise Interval Errors : 0
TTL Errors : 0
Zero Priority Packets Received : 0
Zero Priority Packets Sent : 12
Invalid Type Packets Received : 0
Address List Errors : 0
Packet Length Errors : 0
V3 Advertisements Sent : 1419
V2 Advertisements Sent : 8730
V2 Advertisements Ignored : 0
New Master Reason : Master No Response
Last Protocol Error : No Error
```



# Alarms

## 32. Alarms

The software monitors the conditions of all its ports, per switch, for its chassis, or if they are Alarms security, services, and protocol -related.

If a condition which is present on the switch or a port does not match predetermined parameters, an alarm or a system message appear. By default, the switch software sends the system messages to a syslog facility. The switch can be configured to send Simple Network Management Protocol (*SNMP*) traps to an *SNMP* server.

All alarms which are related to power supply failure; CPU/RAM/Flash/Temperature/Line Module mismatch or a chassis type are referred as global alarms. The switch can also monitor the status of the Ethernet ports and generate alarm messages which are categorized as Port Status Monitoring Alarms.

There are eight different categories of alarms as depicted in the below table. GPS and cell alarms are not currently defined as the base feature is not available yet.

| No. & Type   | ID Range        | Events                                                                                          |
|--------------|-----------------|-------------------------------------------------------------------------------------------------|
| 1 - Admin    | 1000 - 1999     | Administrative aspect of the device, such as license key problems, etc.                         |
| 2 - Chassis  | 2000 - 2999     | Alarms related to power supply failure; CPU / RAM / Flash / Temperature / Line Module mismatch. |
| 3 - Switch   | 3000 - 3999     | Port link up/down; SFP not compatible, etc.                                                     |
| 4 - Security | 4000 - 4999     | Invalid login; <i>SNMP</i> authentication failure                                               |
| 5 - Services | 5000 - 5999     | Alarms related to software download failure/syslog buffer overflow/login failures               |
| 6 - Protocol | 6000 - 6999     | All protocol-related alarms like STP root change, VRRP role change, etc                         |
| 7 - Cell     | Not defined yet | -                                                                                               |
| 8 - GPS      | Not defined yet | -                                                                                               |

## 32.1. Example

For interface-specific alarms such as link up/down, the alarm ID is the sum of the base alarm ID plus the port no. For example, the port 11 link up / down alarm is denoted by ID 3011 (i.e. 3000 +11).

```

ID TYPE TIMESTAMP STATE DESCRIPTION SEVERITY

3011 SWITCH Sep/10/19:43:28 SET Gi0/11 Interface Link State DOWN
Critical

```

## 32.2. Alarm events supported

All critical alarms will have a relay feature and red LED enabled by default.

| No. & Type   | Description                      | Threshold & Severity |
|--------------|----------------------------------|----------------------|
| 1 - Switch   | Link UP / DOWN event             | N/A - Critical       |
| 2 - Chassis  | Main board temperature threshold | 10 to +40 - Alert    |
| 3 - Chassis  | CPU over usage                   | 80% - Alert          |
| 4 - Chassis  | Flash over usage threshold       | 80% - Alert          |
| 5 - Chassis  | RAM over usage threshold         | 80% - Alert          |
| 6 - Security | Invalid log-in                   | N/A - Alert          |
| 7 - Services | Firmware upgrade fail            | N/A - Error          |
| 8 - Protocol | VRRP master change               | N/A - Info           |
| 9 - Protocol | RSTP root bridge node            | N/A - Info           |

**NOTE:** The most essential alarms are to be installed during the first phase; later, we will increase the number of alarms. Request QA to help on identifying the alarms.

### Relay and LED for Alarms

By default, all critical severity alarms are enabled with a relay and red LED indication. The LED and relay are triggered during the first occurrence of fault and cleared during the next occurrence of fault clearance. Some examples are as follows.

iS5Comm# show alarm history all

```

ID TYPE TIMESTAMP STATE DESCRIPTION
SEVERITY

```

```


3024 SWITCH May/2/07:48:01 SET Gi0/24 Interface link state DOWN
Critical
3024 SWITCH May/2/07:48:03 CLR Gi0/24 Interface link state UP
Critical
3037 SWITCH May/2/07:48:03 CLR vlan1 Interface link state UP
Critical
3037 SWITCH May/2/07:48:04 SET vlan1 Interface link state DOWN
Critical
3024 SWITCH May/2/07:48:07 CLR Gi0/24 Interface link state UP
Critical
3037 SWITCH May/2/07:48:07 CLR vlan1 Interface link state UP
Critical
3037 SWITCH May/2/07:48:08 SET vlan1 Interface link state DOWN
Critical
3024 SWITCH May/2/07:48:08 SET Gi0/24 Interface link state DOWN
Critical
3024 SWITCH May/2/07:48:13 CLR Gi0/24 Interface link state UP
Critical
3037 SWITCH May/2/07:48:13 CLR vlan1 Interface link state UP
Critical
3037 SWITCH May/2/10:32:29 SET vlan1 Interface link state DOWN
Critical
4000 SECURITY May/6/01:50:17 SET Invalid login
Alert
4000 SECURITY May/6/01:50:29 CLR Invalid login
Alert

```

## iS5Comm# show alarm history switch

```

ID TYPE TIMESTAMP STATE DESCRIPTION
SEVERITY

3024 SWITCH May/2/07:48:01 SET Gi0/24 Interface link state DOWN
Critical
3024 SWITCH May/2/07:48:03 CLR Gi0/24 Interface link state UP
Critical
3037 SWITCH May/2/07:48:03 CLR vlan1 Interface link state UP
Critical
3037 SWITCH May/2/07:48:04 SET vlan1 Interface link state DOWN
Critical

```

## 32.3. set alarm

To enable or disable globally the alarm module, use the command **set alarm** in Global Configuration Mode. When the module is disabled, the alarms are not captured.

### set alarm

```
set alarm {disable | enable}
```

### Parameters

| Parameter | Type | Description                                        |
|-----------|------|----------------------------------------------------|
| disable   |      | Enter to disable the alarm module.                 |
| enable    |      | Enter to enable the alarm module. This is default. |

### Mode

Global Configuration Mode

### Default

enable

### Examples

```
iS5Comm(config)# set alarm enable
```

## 32.4. alarm buffered

To configure the number of alarm messages to be hold in RAM, use the command **alarm buffered** in Global Configuration Mode. The no form of the command resets the alarm level to its default value.

### alarm buffered

```
alarm buffered <100-2048>
```

### no alarm buffered

```
no alarm buffered
```

## Parameters

| Parameter  | Type    | Description                                                                                                                                 |
|------------|---------|---------------------------------------------------------------------------------------------------------------------------------------------|
| <100-2048> | Integer | Enter a value for the number of alarm messages to be hold in RAM. The configurable numbers are between 100 to 2048 entries. 512 is default. |

## Mode

Global Configuration Mode

## Default

512 (entries)

## Examples

```
iS5Comm(config)# alarm buffered 1024
```

## 32.5. alarm config-type

To enable / disable alarm's administrative state, relay feature, or LED feature based on its type, use the command **alarm config-type** in Global Configuration Mode.

### alarm config-type

```
alarm config-type
 {{switch | admin | chassis | security | protocol | service}
 {admin | relay | LED} {enable | disable}}
```

## Parameters

| Parameter | Type | Description                                                                                    |
|-----------|------|------------------------------------------------------------------------------------------------|
| switch    |      | Enter to enable switch type alarm.                                                             |
| admin     |      | Enter to enable admin type alarm.                                                              |
| chassis   |      | Enter to enable chassis type alarm.                                                            |
| security  |      | Enter to enable security type alarm.                                                           |
| protocol  |      | Enter to enable protocol type alarm.                                                           |
| service   |      | Enter to enable service type alarm.                                                            |
| admin     |      | Enter to enable / disable alarm's administrative state based on its type.                      |
| relay     |      | Enter to enable / disable alarm's relay feature based on its type.                             |
| LED       |      | Enter to enable / disable alarm's LED feature based on its type                                |
| enable    |      | Enter to enable alarm's administrative state, relay feature, or LED feature based on its type  |
| disable   |      | Enter to disable alarm's administrative state, relay feature, or LED feature based on its type |

## Mode

Global Configuration Mode

## Default

All alarms are disabled

## Examples

```
iS5Comm(config)# alarm config-type admin admin enable
```

```
iS5Comm(config)# alarm config-type admin relay enable
```

```
iS5Comm(config)# alarm config-type admin LED enable
```

## 32.6. show active alarms

To display all active [SET] alarms, use the command **show active alarms** in Privileged EXEC Mode.

**show active alarms**

```
show active alarms
```

**Mode**

Privileged EXEC Mode

**Examples**

```
iS5Comm# show active alarms
```

| ID   | TYPE     | TIMESTAMP       | STATE | DESCRIPTION                 | SEVERITY         |
|------|----------|-----------------|-------|-----------------------------|------------------|
| 2000 | CHASSIS  | Sep/10/17:47:18 | SET   | Power supply limit exceeded | Alert            |
| 6000 | PROTOCOL | Sep/10/17:47:08 | SET   | RSTP root bridge node       | Info             |
| 3011 | SWITCH   | Sep/10/19:43:28 | SET   | Gi0/11 Interface Link State | DOWN<br>Critical |
| 3025 | SWITCH   | Sep/10/17:47:08 | SET   | Ex0/1 Interface Link State  | DOWN<br>Critical |
| 3026 | SWITCH   | Sep/10/17:47:08 | SET   | Ex0/2 Interface Link State  | DOWN<br>Critical |
| 3027 | SWITCH   | Sep/10/17:47:08 | SET   | Ex0/3 Interface Link State  | DOWN<br>Critical |
| 3028 | SWITCH   | Sep/10/17:47:08 | SET   | Ex0/4 Interface Link State  | DOWN<br>Critical |
| 3037 | SWITCH   | Sep/22/17:59:50 | SET   | vlan1 Interface Link State  | DOWN<br>Critical |

**32.7. show alarm history**

To display alarms for all alarm types—both SET and CLEARED, use the command **show alarm history** in Privileged Exec Mode.

**show alarm history**

```
show alarm history
```

```
{all | switch | admin | chassis | security | protocol | service}
```

## Parameters

| Parameter | Type | Description                                           |
|-----------|------|-------------------------------------------------------|
| all       |      | Enter to specify all alarms to be displayed.          |
| switch    |      | Enter to specify switch type alarm to be displayed.   |
| admin     |      | Enter to specify admin type alarm to be displayed.    |
| chassis   |      | Enter to specify chassis type alarm to be displayed.  |
| security  |      | Enter to specify security type alarm to be displayed. |
| protocol  |      | Enter to specify protocol type alarm to be displayed. |
| service   |      | Enter to specify service type alarm to be displayed.  |

## Mode

Privileged Exec Mode

## Default

All alarms are disabled

## Examples

```
iS5Comm# show alarm history all
```



```
Switch-3# sh alarm history all
```

| ID   | TYPE     | TIMESTAMP       | STATE | DESCRIPTION                      | SEVERITY |
|------|----------|-----------------|-------|----------------------------------|----------|
| 3002 | SWITCH   | Oct/13/13:40:47 | CLR   | Gi0/2 Interface link state UP    | Critical |
| 3003 | SWITCH   | Oct/13/13:40:47 | CLR   | Gi0/3 Interface link state UP    | Critical |
| 3005 | SWITCH   | Oct/13/13:40:47 | CLR   | Gi0/5 Interface link state UP    | Critical |
| 3006 | SWITCH   | Oct/13/13:40:47 | CLR   | Gi0/6 Interface link state UP    | Critical |
| 3007 | SWITCH   | Oct/13/13:40:47 | CLR   | Gi0/7 Interface link state UP    | Critical |
| 3009 | SWITCH   | Oct/13/13:40:47 | CLR   | Gi0/9 Interface link state UP    | Critical |
| 3017 | SWITCH   | Oct/13/13:40:48 | CLR   | Gi0/17 Interface link state UP   | Critical |
| 3001 | SWITCH   | Oct/13/13:40:48 | CLR   | Gi0/1 Interface link state UP    | Critical |
| 3018 | SWITCH   | Oct/13/13:40:48 | CLR   | Gi0/18 Interface link state UP   | Critical |
| 3019 | SWITCH   | Oct/13/13:40:48 | CLR   | Gi0/19 Interface link state UP   | Critical |
| 3020 | SWITCH   | Oct/13/13:40:49 | CLR   | Gi0/20 Interface link state UP   | Critical |
| 6003 | PROTOCOL | Oct/13/13:40:50 | CLR   | VRRP master - VRID Gi0/2         | Info     |
| 6004 | PROTOCOL | Oct/13/13:40:50 | CLR   | VRRP master - VRID Gi0/3         | Info     |
| 6005 | PROTOCOL | Oct/13/13:40:50 | CLR   | VRRP master - VRID Gi0/4         | Info     |
| 6006 | PROTOCOL | Oct/13/13:40:50 | CLR   | VRRP master - VRID Gi0/5         | Info     |
| 6007 | PROTOCOL | Oct/13/13:40:50 | CLR   | VRRP master - VRID Gi0/6         | Info     |
| 6008 | PROTOCOL | Oct/13/13:40:50 | CLR   | VRRP master - VRID Gi0/7         | Info     |
| 6009 | PROTOCOL | Oct/13/13:40:50 | CLR   | VRRP master - VRID Gi0/8         | Info     |
| 6012 | PROTOCOL | Oct/13/13:40:50 | CLR   | VRRP master - VRID Gi0/11        | Info     |
| 6013 | PROTOCOL | Oct/13/13:40:50 | CLR   | VRRP master - VRID Gi0/12        | Info     |
| 6014 | PROTOCOL | Oct/13/13:40:50 | CLR   | VRRP master - VRID Gi0/13        | Info     |
| 6015 | PROTOCOL | Oct/13/13:40:50 | CLR   | VRRP master - VRID Gi0/14        | Info     |
| 6016 | PROTOCOL | Oct/13/13:40:50 | CLR   | VRRP master - VRID Gi0/15        | Info     |
| 6011 | PROTOCOL | Oct/13/13:40:50 | CLR   | VRRP master - VRID Gi0/10        | Info     |
| 6010 | PROTOCOL | Oct/13/13:40:50 | CLR   | VRRP master - VRID Gi0/9         | Info     |
| 3026 | SWITCH   | Oct/13/13:40:52 | CLR   | Ex0/CPU Interface link state UP  | Critical |
| 3019 | SWITCH   | Oct/13/13:40:55 | SET   | Gi0/19 Interface link state DOWN | Critical |
| 3020 | SWITCH   | Oct/13/13:40:55 | SET   | Gi0/20 Interface link state DOWN | Critical |
| 3017 | SWITCH   | Oct/13/13:40:55 | SET   | Gi0/17 Interface link state DOWN | Critical |
| 3018 | SWITCH   | Oct/13/13:40:55 | SET   | Gi0/18 Interface link state DOWN | Critical |
| 3017 | SWITCH   | Oct/13/13:41:50 | CLR   | Gi0/17 Interface link state UP   | Critical |
| 3019 | SWITCH   | Oct/13/13:41:51 | CLR   | Gi0/19 Interface link state UP   | Critical |
| 3020 | SWITCH   | Oct/13/13:41:51 | CLR   | Gi0/20 Interface link state UP   | Critical |
| 3018 | SWITCH   | Oct/13/13:41:51 | CLR   | Gi0/18 Interface link state UP   | Critical |
| 3036 | SWITCH   | Oct/13/13:49:45 | SET   | Gi0/3 Cyber-security link DOWN   | Critical |
| 3036 | SWITCH   | Oct/13/13:49:50 | CLR   | Gi0/3 Cyber-security link UP     | Critical |
| 6000 | PROTOCOL | Oct/13/13:50:35 | CLR   | RSTP root bridge node            | Info     |

The Serial Port Monitoring alarm IDs is from 3237 (they can be up to 3268).

|      |        |                 |     |                                   |          |
|------|--------|-----------------|-----|-----------------------------------|----------|
| 3237 | SWITCH | Dec/15/17:11:03 | SET | Ser0/1 Serial cable Disconnected  | Critical |
| 3238 | SWITCH | Dec/11/10:29:09 | SET | Ser0/2 Serial cable Disconnected  | Critical |
| 3251 | SWITCH | Dec/21/16:37:35 | SET | Ser0/15 Serial cable Disconnected | Critical |
| 3261 | SWITCH | Dec/21/16:38:06 | SET | Ser0/25 Serial cable Disconnected | Critical |
| 3263 | SWITCH | Dec/21/16:39:45 | SET | Ser0/27 Serial cable Disconnected | Critical |

## 32.8. show alarm supported

To display all supported alarms, use the command **show alarm supported** in Privileged Exec Mode.

**show alarm supported**

```
show alarm supported
```

```
{all | switch | admin | chassis | security | protocol | service}
```

**Parameters**

| Parameter | Type | Description                                               |
|-----------|------|-----------------------------------------------------------|
| all       |      | Enter to specify all alarms to be displayed.              |
| switch    |      | Enter to specify switch-related alarms to be displayed.   |
| admin     |      | Enter to specify admin-related alarms to be displayed.    |
| chassis   |      | Enter to specify chassis-related alarms to be displayed.  |
| security  |      | Enter to specify security-related alarms to be displayed. |
| protocol  |      | Enter to specify protocol-related alarms to be displayed. |
| service   |      | Enter to specify service-related alarms to be displayed.  |

**Mode**

Privileged Exec Mode

**Examples**

```
iS5Comm# show alarm supported all
```

```

ALARM-ID ALARM-SUPPORTED
----- -
2000 Power supply limit exceeded
2001 Mainboard temperature overheat
2002 CPU usage exceeded threshold
2003 Flash usage exceeded threshold
2004 RAM usage exceeded threshold
2005 Power supply not operationl
2007 Line card
2011 PoE PSE chassis not operational

3001 Interface link state
3034 Cyber-security link
3067 Line module temperature threshold reached

```

---

|      |                                 |
|------|---------------------------------|
| 3072 | SFP remote fault                |
| 3105 | SFP local receiver status       |
| 3138 | SFP remote receiver status      |
| 3171 | SFP not compatible              |
| 3204 | PoE PSE port not operational    |
| 3237 | Serial cable                    |
| 4000 | Invalid login                   |
| 5000 | Firmware upgrade failed         |
| 6000 | RSTP root bridge node           |
| 6002 | VRRP master - VRID              |
| 6018 | End point unreachable           |
| 6050 | MRP Ring status changed         |
| 6051 | MRP Multiple MRM condition      |
| 6053 | HSR-PRP one link down in LRE    |
| 6086 | HSR-PRP both links down in LRE  |
| 6119 | HSRFastBpdu link down in LRE    |
| 6151 | MRP Intconn Ring status changed |

iS5Comm# show alarm history all

Switch-3# sh alarm history all

| ID   | TYPE     | TIMESTAMP       | STATE | DESCRIPTION                      | SEVERITY |
|------|----------|-----------------|-------|----------------------------------|----------|
| 3002 | SWITCH   | Oct/13/13:40:47 | CLR   | Gi0/2 Interface link state UP    | Critical |
| 3003 | SWITCH   | Oct/13/13:40:47 | CLR   | Gi0/3 Interface link state UP    | Critical |
| 3005 | SWITCH   | Oct/13/13:40:47 | CLR   | Gi0/5 Interface link state UP    | Critical |
| 3006 | SWITCH   | Oct/13/13:40:47 | CLR   | Gi0/6 Interface link state UP    | Critical |
| 3007 | SWITCH   | Oct/13/13:40:47 | CLR   | Gi0/7 Interface link state UP    | Critical |
| 3009 | SWITCH   | Oct/13/13:40:47 | CLR   | Gi0/9 Interface link state UP    | Critical |
| 3017 | SWITCH   | Oct/13/13:40:48 | CLR   | Gi0/17 Interface link state UP   | Critical |
| 3001 | SWITCH   | Oct/13/13:40:48 | CLR   | Gi0/1 Interface link state UP    | Critical |
| 3018 | SWITCH   | Oct/13/13:40:48 | CLR   | Gi0/18 Interface link state UP   | Critical |
| 3019 | SWITCH   | Oct/13/13:40:48 | CLR   | Gi0/19 Interface link state UP   | Critical |
| 3020 | SWITCH   | Oct/13/13:40:49 | CLR   | Gi0/20 Interface link state UP   | Critical |
| 6003 | PROTOCOL | Oct/13/13:40:50 | CLR   | VRRP master - VRID Gi0/2         | Info     |
| 6004 | PROTOCOL | Oct/13/13:40:50 | CLR   | VRRP master - VRID Gi0/3         | Info     |
| 6005 | PROTOCOL | Oct/13/13:40:50 | CLR   | VRRP master - VRID Gi0/4         | Info     |
| 6006 | PROTOCOL | Oct/13/13:40:50 | CLR   | VRRP master - VRID Gi0/5         | Info     |
| 6007 | PROTOCOL | Oct/13/13:40:50 | CLR   | VRRP master - VRID Gi0/6         | Info     |
| 6008 | PROTOCOL | Oct/13/13:40:50 | CLR   | VRRP master - VRID Gi0/7         | Info     |
| 6009 | PROTOCOL | Oct/13/13:40:50 | CLR   | VRRP master - VRID Gi0/8         | Info     |
| 6012 | PROTOCOL | Oct/13/13:40:50 | CLR   | VRRP master - VRID Gi0/11        | Info     |
| 6013 | PROTOCOL | Oct/13/13:40:50 | CLR   | VRRP master - VRID Gi0/12        | Info     |
| 6014 | PROTOCOL | Oct/13/13:40:50 | CLR   | VRRP master - VRID Gi0/13        | Info     |
| 6015 | PROTOCOL | Oct/13/13:40:50 | CLR   | VRRP master - VRID Gi0/14        | Info     |
| 6016 | PROTOCOL | Oct/13/13:40:50 | CLR   | VRRP master - VRID Gi0/15        | Info     |
| 6011 | PROTOCOL | Oct/13/13:40:50 | CLR   | VRRP master - VRID Gi0/10        | Info     |
| 6010 | PROTOCOL | Oct/13/13:40:50 | CLR   | VRRP master - VRID Gi0/9         | Info     |
| 3026 | SWITCH   | Oct/13/13:40:52 | CLR   | Ex0/CPU Interface link state UP  | Critical |
| 3019 | SWITCH   | Oct/13/13:40:55 | SET   | Gi0/19 Interface link state DOWN | Critical |
| 3020 | SWITCH   | Oct/13/13:40:55 | SET   | Gi0/20 Interface link state DOWN | Critical |
| 3017 | SWITCH   | Oct/13/13:40:55 | SET   | Gi0/17 Interface link state DOWN | Critical |
| 3018 | SWITCH   | Oct/13/13:40:55 | SET   | Gi0/18 Interface link state DOWN | Critical |
| 3017 | SWITCH   | Oct/13/13:41:50 | CLR   | Gi0/17 Interface link state UP   | Critical |
| 3019 | SWITCH   | Oct/13/13:41:51 | CLR   | Gi0/19 Interface link state UP   | Critical |
| 3020 | SWITCH   | Oct/13/13:41:51 | CLR   | Gi0/20 Interface link state UP   | Critical |
| 3018 | SWITCH   | Oct/13/13:41:51 | CLR   | Gi0/18 Interface link state UP   | Critical |
| 3036 | SWITCH   | Oct/13/13:49:45 | SET   | Gi0/3 Cyber-security link DOWN   | Critical |
| 3036 | SWITCH   | Oct/13/13:49:50 | CLR   | Gi0/3 Cyber-security link UP     | Critical |
| 6000 | PROTOCOL | Oct/13/13:50:35 | CLR   | RSTP root bridge node            | Info     |

# Serial

## 33. Serial

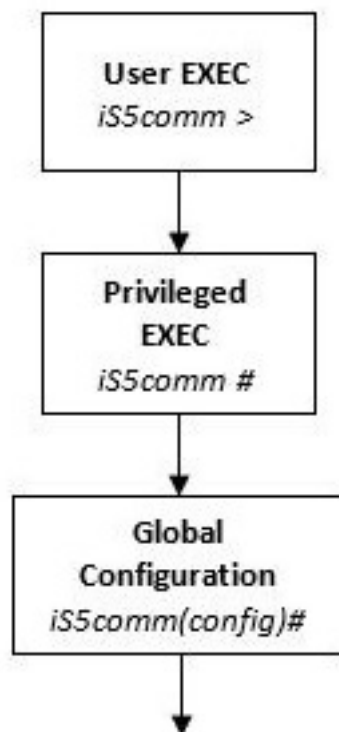
Serial support in the device software includes Modbus Client and Server modes as well as Raw Socket mode. This chapter describes the CLI commands needed to enable these capabilities.

### 33.1. CLI Serial Command Modes

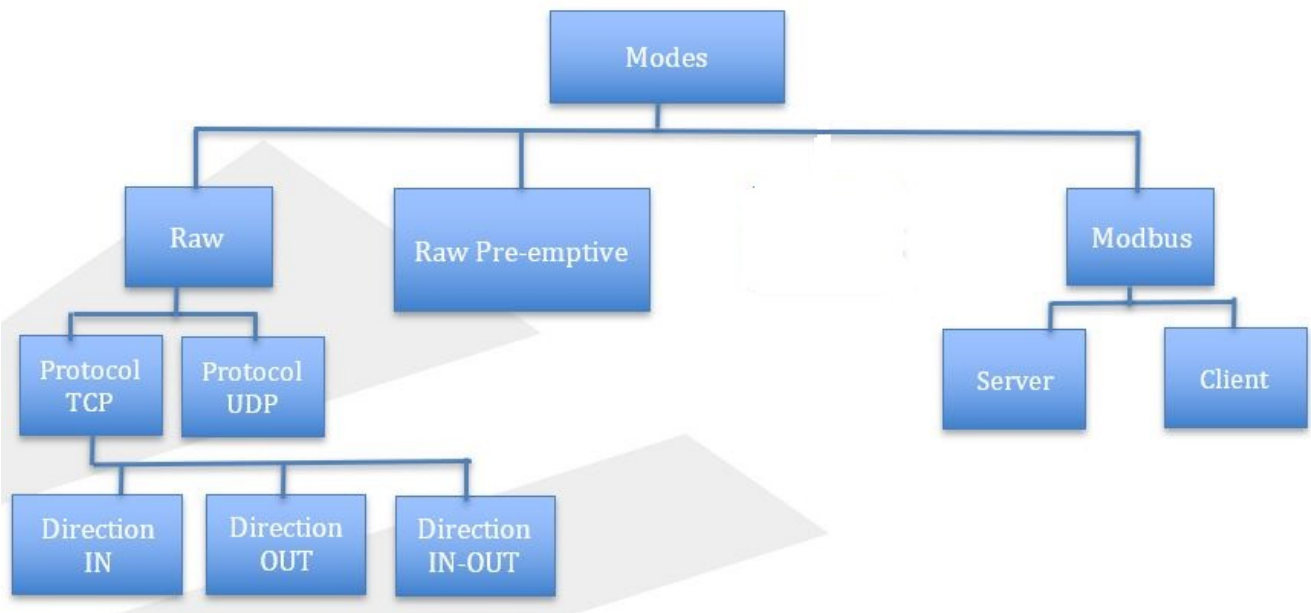
Depending on the CLI mode, `iS5Comm` prompt will be specific. This cannot be changed by the end user. For example, when the command mode is Global Configuration, the prompt display will be `iS5Comm(config)#`.

The hierarchical structure of the command modes used for serial interface is as shown on the figure below.

**Figure 1:** CLI Command Modes



**Figure 2:** Serial Module only CLI Command Modes



## User Exec Mode

| Prompt   | Access method                                | Exit Method |
|----------|----------------------------------------------|-------------|
| iS5Comm> | This is the initial mode to start a session. | logout      |

## Privileged Exec Mode

| Prompt   | Access method                                                                            | Exit Method                                                                                          |
|----------|------------------------------------------------------------------------------------------|------------------------------------------------------------------------------------------------------|
| iS5Comm# | The User EXEC mode command <code>enable</code> is used to enter the Privileged EXEC Mode | To return from the Privileged EXEC Mode to User EXEC mode, the command <code>disable</code> is used. |

## Global Configuration Mode

| Prompt             | Access method                                                                                                    | Exit Method                                                                                             |
|--------------------|------------------------------------------------------------------------------------------------------------------|---------------------------------------------------------------------------------------------------------|
| iS5Comm (config) # | The Privileged EXEC mode command <code>configure terminal</code> is used to enter the Global Configuration Mode. | To return from the Global Configuration Mode to Privileged Mode, the command <code>exit</code> is used. |

## Serial Interface Configuration Mode

| Prompt                       | Access method                                                                                                                                        | Exit Method                                                                                                                                                                                                                       |
|------------------------------|------------------------------------------------------------------------------------------------------------------------------------------------------|-----------------------------------------------------------------------------------------------------------------------------------------------------------------------------------------------------------------------------------|
| iS5Comm (config-serial-if) # | The Global Configuration mode command <code>iS5Comm (config) # interface serial 0/9</code> is used to enter the Serial Interface Configuration Mode. | To return from the Interface Configuration mode to Global Configuration Mode, the command <code>exit</code> is used. To exit from the Interface Configuration mode to Privileged EXEC Mode, the command <code>end</code> is used. |

### Serial Profile Mode (Raw Socket)

| Prompt                          | Access method                                                                                                                                                                                            | Exit Method                                                                                                                                                                                                                   |
|---------------------------------|----------------------------------------------------------------------------------------------------------------------------------------------------------------------------------------------------------|-------------------------------------------------------------------------------------------------------------------------------------------------------------------------------------------------------------------------------|
| <code>iS5Comm (raw-p1) #</code> | The Global Configuration mode command<br><code>iS5Comm (config) #</code><br><code>serial</code><br><code>connection-type raw</code><br><code>profile p1</code> is used to enter the Serial Profile Mode. | To return from the Serial Profile mode to Global Configuration Mode, the command <code>exit</code> is used. To exit from the VLAN Interface Configuration mode to Privileged EXEC Mode, the command <code>end</code> is used. |

### Serial Profile Mode (Preemptive-raw)

| Prompt                                 | Access method                                                                                                                                                                                                                                         | Exit Method                                                                                                      |
|----------------------------------------|-------------------------------------------------------------------------------------------------------------------------------------------------------------------------------------------------------------------------------------------------------|------------------------------------------------------------------------------------------------------------------|
| <code>iS5Comm (preemptive-p2) #</code> | The Global Configuration Mode command<br><b><code>iS5Comm (config) #</code></b><br><b><code>serial connection-type</code></b><br><b><code>preemptive-raw profile</code></b><br><b><code>p2</code></b> is used to enter the Profile Mode (Preemptive). | To exit from the Serial Profile Mode (Preemptive) to Privileged EXEC Mode, the command <code>end</code> is used. |

### Serial Profile Mode (UDP)

| Prompt                           | Access method                                                                                                                                                                                          | Exit Method                                                                                               |
|----------------------------------|--------------------------------------------------------------------------------------------------------------------------------------------------------------------------------------------------------|-----------------------------------------------------------------------------------------------------------|
| <code>iS5Comm (raw-udp) #</code> | The Global Configuration Mode command<br><code>iS5Comm (config) #</code><br><b><code>serial connection-type</code></b><br><b><code>raw profile udp</code></b> is used to enter the Profile Mode (UDP). | To exit from the Serial Profile Mode (UDP) to Privileged EXEC Mode, the command <code>end</code> is used. |



**Serial Profile Mode (TCP)**

| Prompt                           | Access method                                                                                                                                         | Exit Method                                                                                               |
|----------------------------------|-------------------------------------------------------------------------------------------------------------------------------------------------------|-----------------------------------------------------------------------------------------------------------|
| <code>iS5Comm (raw-tcp) #</code> | The Global Configuration Mode command <code>iS5Comm (config) # serial connection-type raw profile tcp</code> is used to enter the Profile Mode (TCP). | To exit from the Serial Profile Mode (UDP) to Privileged EXEC Mode, the command <code>end</code> is used. |

**Serial Profile Mode (Modbus)**

| Prompt                             | Access method                                                                                                                                              | Exit Method                                                                                                  |
|------------------------------------|------------------------------------------------------------------------------------------------------------------------------------------------------------|--------------------------------------------------------------------------------------------------------------|
| <code>iS5Comm (modbus-m1) #</code> | The Global Configuration Mode command <code>iS5Comm (config) # serial connection-type modbus profile m1</code> is used to enter the Profile Mode (Modbus). | To exit from the Serial Profile Mode (Modbus) to Privileged EXEC Mode, the command <code>end</code> is used. |

**Transport Protocol TCP Mode**

| Prompt                               | Access method                                                                                                                             | Exit Method                                                                                             |
|--------------------------------------|-------------------------------------------------------------------------------------------------------------------------------------------|---------------------------------------------------------------------------------------------------------|
| <code>iS5Comm (raw-tcp-TCP) #</code> | The Serial Profile mode command <code>iS5Comm (raw-tcp) # transport protocol tcp</code> is used to enter the Transport Protocol TCP Mode. | To exit from the Transport Protocol Mode to Privileged EXEC Mode, the command <code>end</code> is used. |

## Transport Protocol UDP Mode

| Prompt                  | Access method                                                                                                                            | Exit Method                                                                                             |
|-------------------------|------------------------------------------------------------------------------------------------------------------------------------------|---------------------------------------------------------------------------------------------------------|
| iS5Comm (raw-udp-UDP) # | The Serial Profile mode command <code>iS5Comm (raw-p1) # transport protocol udp</code> is used to enter the Transport Protocol UDP Mode. | To exit from the Transport Protocol Mode to Privileged EXEC Mode, the command <code>end</code> is used. |

## Direction (In) Mode (Raw)

| Prompt                    | Access method                                                                                                                                | Exit Method                                                                                                 |
|---------------------------|----------------------------------------------------------------------------------------------------------------------------------------------|-------------------------------------------------------------------------------------------------------------|
| iS5Comm (raw-p1-TCP-in) # | The Transport Protocol mode command <code>iS5Comm (serial-p1-TCP) # direction in</code> is used to enter the Direction IN Mode (Raw Socket). | To exit from the Direction Mode (Raw Socket) to Privileged EXEC Mode, the command <code>end</code> is used. |

## Direction (Out) Mode (Raw)

| Prompt                     | Access method                                                                                                                                  | Exit Method                                                                                                 |
|----------------------------|------------------------------------------------------------------------------------------------------------------------------------------------|-------------------------------------------------------------------------------------------------------------|
| iS5Comm (raw-p1-TCP-out) # | The Transport Protocol mode command <code>iS5Comm (serial-p1-TCP) # direction out</code> is used to enter the Direction OUT Mode (Raw Socket). | To exit from the Direction Mode (Raw Socket) to Privileged EXEC Mode, the command <code>end</code> is used. |

## Direction (IN-OUT) Mode (Raw)

| Prompt                                    | Access method                                                                                                                                           | Exit Method                                                                                                 |
|-------------------------------------------|---------------------------------------------------------------------------------------------------------------------------------------------------------|-------------------------------------------------------------------------------------------------------------|
| <code>iS5Comm (raw-p1-TCP-InOut) #</code> | The Transport Protocol mode command<br><code>iS5Comm (serial-p1-TCP) # direction in-out</code> is used to enter the Direction IN-OUT Mode (Raw Socket). | To exit from the Direction Mode (Raw Socket) to Privileged EXEC Mode, the command <code>end</code> is used. |

## Role Mode (Modbus Server)

| Prompt                                    | Access method                                                                                                                                                                                       | Exit Method                                                                                        |
|-------------------------------------------|-----------------------------------------------------------------------------------------------------------------------------------------------------------------------------------------------------|----------------------------------------------------------------------------------------------------|
| <code>iS5Comm (modbus-m1-server) #</code> | The Transport Protocol mode command<br><code>iS5Comm (config) # serial connection-type modbus profile m1 ; iS5Comm (modbus-m1) # role server</code> is used to enter the Role Mode (Modbus server). | To exit from the Role Mode (Modbus) to Privileged EXEC Mode, the command <code>end</code> is used. |

## Role Mode (Modbus Client)

| Prompt                                    | Access method                                                                                                                                                                                       | Exit Method                                                                                        |
|-------------------------------------------|-----------------------------------------------------------------------------------------------------------------------------------------------------------------------------------------------------|----------------------------------------------------------------------------------------------------|
| <code>iS5Comm (modbus-m1-client) #</code> | The Transport Protocol mode command<br><code>iS5Comm (config) # serial connection-type modbus profile m1 ; iS5Comm (modbus-m1) # role client</code> is used to enter the Role Mode (Modbus server). | To exit from the Role Mode (Modbus) to Privileged EXEC Mode, the command <code>end</code> is used. |

## 33.2. add slave-id

To define the MODBUS profile to act either as server or client, use the **add slave-id** command in Role Mode. Modbus is a stateless client-server (master -slave) protocol. A transaction consist of two

messages: a request (issued by the client) and a response (issued by the server).

Each MODBUS server or client are uniquely identified by a slave ID. The MODBUS server slave IDs are bound to an interface, whereas MODBUS client slave IDs is bound to a profile. This is because a MODBUS server can support multiple interface to be mapped to same profile. Each interface can be mapped to a set of slave IDs.

Each profile can support 247 slave IDs and its range is between 1 - 247.

### add slave-id

MODBUS server

```
add slave-id
```

```
<ids> interface serial <interface-id>
```

```
remove slave-id
```

```
<ids> interface serial <interface-id>
```

MODBUS client

```
add slave-id
```

```
<ids>
```

```
remove slave-id
```

```
<ids>
```

### Parameters

Parameter	Type	Description
ids (1-247)	Integer	Enter an ID number.

## 33.3. add udp-host

To add an *UDP* remote host with which the device to communicate, use the **add udp-host** command in Transport Protocol *UDP* Mode. By this command, we can restrict the device to allow data transfer to only selected remote host / clients.

### add udp-host

```
add udp-host
```

```
{<IpAddress> port <integer(1-65535)>
```

## Parameters

Parameter	Type	Description
<IpAddress>	A.B.C.D	Unicast IP address of the remote host.
port		Enter for a port of the UDP remote host.
<integer(1-65535)>		Enter a port number of the remote host.

## Mode

Transport Protocol UDP Mode

## Examples

```
iS5Comm(config)# serial connection-type raw profile udp
iS5Comm(raw-udp)# transport protocol udp
iS5Comm(raw-udp-UDP)# add udp-host 192.168.20.66 port 35478
iS5Comm(raw-udp-UDP)# end
```

## 33.4. baud-rate

To define the baud rate, use the **baud rate** command in Interface Configuration Mode. The baud rate is the rate at which information is transferred in a serial communication channel. In the serial port context, "9600 baud" means that the serial port is capable of transferring a maximum of 9600 bits per second.

### baud-rate

```
baud-rate
<integer>
```

### no baud-rate

```
no baud-rate
```

## Parameters

Parameter	Type	Description
integer	Integer	<p>Enter a number that represent the baud-rate setting. The available values are:</p> <ul style="list-style-type: none"> <li>• 300 baudrate of 300 bps</li> <li>• 600 baudrate of 600 bps</li> <li>• 1200 baudrate of 1200 bps</li> <li>• 2400 baudrate of 2400 bps</li> <li>• 4800 baudrate of 4800 bps</li> <li>• 9600 baudrate of 9600 bps</li> <li>• 14400 baudrate of 14400 bps</li> <li>• 19200 baudrate of 19200 bps</li> <li>• 38400 baudrate of 38400 bps</li> <li>• 57600 baudrate of 57600 bps</li> <li>• 115200 baudrate of 115200 bps</li> <li>• 230400 baudrate of 230400 bps</li> </ul>

## Mode

Serial Interface Configuration Mode

## Examples

```
i5Comm # configure terminal
```

```
i5Comm(config)# interface serial 0/9
```

```
i5Comm(config-serial-if)# baud-rate 115200
```

```
i5Comm(config-if)# no baud-rate
```

**NOTE:** “no baud-rate” will revert back the baud rate settings to the default value which is 9600.

## 33.5. clear serial config

To erase all serial profile configurations from the system, use the **clear serial config** command in Global Configuration Mode.

### clear serial config

```
clear serial config
```

```
[MODBUS] [RAW_SOCKET]
```

## Parameters

Parameter	Type	Description
MODBUS		When selected, it clears only MODBUS configuration.
RAW_SOCKET		When selected, it clears only Raw Socket configuration.

## Mode

### Global Configuration Mode

## Examples

iS5Comm(config)# clear serial config ?

```
<CR> Erase all serial profile
configurations from the system
MODBUS MODBUS configurations
RAW_SOCKET RAW_SOCKET configurations
```

iS5Comm(modbus-m20)# clear serial config

Note: "clear serial config" will erase entire serial profile configurations...

```
Are you sure you want to clear it? (Y/N) [N]? y
Erasing configurations ...
```

iS5Comm(config)# clear serial config MODBUS

Note: "clear serial config" will erase entire MODBUS configurations...

```
Are you sure you want to clear it? (Y/N) [N]? y
Erasing configurations ...
```

iS5Comm(config)#

iS5Comm(config)# clear serial config RAW\_SOCKET

Note: "clear serial config" will erase entire raw socket configurations...

```
Are you sure you want to clear it? (Y/N) [N]? y
Erasing configurations ...
```

iS5Comm(config)#

## 33.6. clear serial counters

To clear application level serial profile counters, use the **clear serial counters** command in Global Configuration Mode. There are three options available: clearing of interface level, profile level, or all serial profile counters.

### clear serial counters

```
clear serial counters
```

```
[interface serial <interface-id>] [profile <string(64)>]
```

### Parameters

Parameter	Type	Description
interface		Enter to select interface.
serial		Enter to select serial interface.
interface-id (<0>/<9-16>)		Enter a value for serial interface ID. 0/9-0/12 or 0/9-0/16
profile		Enter to select serial interface.
<string(64)>		Enter a value for profile name.

### Mode

Global Configuration Mode

### Examples

```
iS5Comm(config)# clear serial counters
```

```
iS5Comm(config)# clear serial counters interface serial 0/9 profile p1
```

```
iS5Comm(config)# clear serial counter profile p1
```

## 33.7. connection-map interface

To map the profile to an physical serial interface, use the **connection-map interface** command in Serial Profile Mode. The profile gets activated with this operation.

### connection-map interface

```
connection-map interface
```

```
serial (<0>/<9-16>)
```



**no connection-map**

```
no connection-map
```

**Parameters**

Parameter	Type	Description
<0>/<9-16>	Integer	Enter a slot number / port number for serial interface.

**Mode**

Serial Profile Mode (Raw)

**Examples**

```
iS5Comm# configure terminal
iS5Comm(config)# serial connection-type raw profile p1
iS5Comm(raw-p1)# connection-map interface serial 0/9
iS5Comm(raw-p1)# no connection-map
```

**33.8. data-bits**

To determine the number of bits for the port to operate with, use the **data-bits** command in Interface Configuration Mode.

**data-bits**

```
data-bits
<integer (7-8)>
```

## Parameters

Parameter	Type	Description
integer (7-8)	Integer	Enter a number of bits for the port to operate with. The default is 8. Binary data is typically transmitted as eight bits, and text-based data is transmitted as seven bits or eight bits. If the data is based on the ASCII character set, then a minimum of seven bits is required because there are 27 or 128 distinct characters. If an eighth bit is used, it must have a value of

## Mode

Serial Interface Configuration Mode

## Examples

```
iS5Comm # configure terminal
```

```
iS5Comm(config-serial-if)# data-bits 7
```

```
iS5Comm(config-serial-if)# data-bits 8
```

## 33.9. debug serial

To the debug traces for the serial line module, use the **debug serial** command Global Configuration Mode.

There are several severity available:

- Critical level enables all the failure traces.
- Info level enables all traces related to information to end user.
- Trace level helps the software team to see the code flow.
- Data level includes info and critical level debugs.

### debug serial

```
debug serial
```

```
{all | |trace | data |info |critical none}
```

## Parameters

Parameter	Type	Description
all		Enter to enable debugging for all severity levels available.
trace		Enter to enable debugging for trace level debugging.
data		Enter to enable debugging for data level debugging.
info		Enter to enable debugging for info level debugging.
critical		Enter to enable debugging for critical level debugging.
none		Enter to disable debugging.

## Mode

Global Execution Mode

## Examples

```
iS5Comm# debug serial critical
```

```
[SER_IP_DBG] : DBG Critical 2
```

```
iS5Comm# debug serial none
```

```
[SER_IP_DBG] : nmhSetSerialIpDebug() i4SetValSerialIpDebug 0
```

```
iS5Comm#
```

## 33.10. description

To assign a name to a serial interface, use the **description** command in Serial Interface Configuration Mode.

### description

```
description
```

```
<string(127)>
```

no description

## Parameters

Parameter	Type	Description
string (127)		Enter a description of the interface.

## Mode

Serial Interface Configuration Mode

## Examples

```
iS5Comm # configure terminal
iS5Comm(config)# interface serial 0/9
iS5Comm(config-serial-if)# description AB_interface
```

## 33.11. direction

To define the direction for a serial protocol, use the **direction** command in Transport Protocol Mode. There are IN, OUT, and IN-OUT directions. When the device acts as a server, IN direction is configured. The device acts as a client in OUT direction, and as both server and client in IN-OUT direction. For UDP transport protocol, the default direction is IN-OUT.

### direction

```
direction
{in | out | in-out}
```

## Parameters

Parameter	Type	Description
in		Enter for IN direction for server mode.
out		Enter for OUT direction for client mode
in-out		Enter for IN-OUT direction for TCP connection.

## Mode

Transport Protocol Mode

### Examples

```
iS5Comm# configure terminal
iS5Comm(config)# serial connection-type raw profile p1
iS5Comm(raw-p1)# transport protocol tcp
iS5Comm(serial-p1-TCP)# direction in
iS5Comm(raw-p1-TCP-in)# end
```

```
iS5Comm# configure terminal
iS5Comm(config)# serial connection-type raw profile p1
iS5Comm(raw-p1)# transport protocol tcp
iS5Comm(raw-p1-TCP)# direction out
iS5Comm(raw-p1-TCP-Out)# end
```

```
iS5Comm# configure terminal
iS5Comm(config)# serial connection-type raw profile p1
iS5Comm(raw-p1)# transport protocol tcp
iS5Comm(raw-p1-TCP!)# direction in-out
iS5Comm(raw-p1-TCP-InOut)# end
```

**NOTE:** There is no need to configure direction for UDP connection. In a case of UDP connection, the default direction is IN-OUT, and the software assigns it without need for configuration by the user.

## 33.12. DSCP

To define the Differentiated service code point ( *DSCP*) which is set in the IP header for the outgoing packets, use the **DSCP** command in Role Mode (Modbus Client).

### DSCP

DSCP

```
<integer(0-63)>
```

### no DSCP

no DSCP

### Parameters

Parameter	Type	Description
<integer(0-63)>	Integer	Enter a decimal value for the Differentiated service code point (DSCP). The default is OFF.

### Mode

Role Mode (Modbus Client)

### Examples

```
iS5Comm(config)# serial connection-type modbus profile m1
```

```
iS5Comm(modbus-m1)# role client
```

```
iS5Comm(modbus-m1-client)# DSCP 44
```

```
iS5Comm(modbus-p1-client)# no DSCP
```

**NOTE:** As per RFC5865, DSCP with decimal value f 44 stands for VOICE-ADMIT. Refer to <https://www.iana.org/assignments/dscp-registry/dscp-registry.xhtml>

## 33.13. dynamic idle-timeout

To configure the time delay for auto disconnection, use the **dynamic idle-timeout** command in Serial Profile Mode (Preemptive). In case of no activity for the specified period of time, the socket will be disconnected automatically.

**dynamic idle-timeout**

```
dynamic idle-timeout
<integer(10-3600)>
```

**no dynamic idle-timeout**

```
no dynamic idle-timeout
```

**Parameters**

Parameter	Type	Description
<code>&lt;integer(10-3600)&gt;</code>	Integer	Enter a number for idle time. The default is 10 seconds.

**Mode**

Serial Profile Mode (Preemptive)

**Examples**

```
iS5Comm(config)# serial connection-type preemptive-raw profile p2
iS5Comm(preemptive-p2)# dynamic idle-timeout 45
iS5Comm(preemptive-p2)# no dynamic idle-timeout
```

**33.14. dynamic packet timeout**

To configure the time delay for auto disconnection of the dynamic client, use the **dynamic packet timeout** command in Serial Profile Mode (Preemptive). A dynamic client denotes a temporary client that connects to the preemptive raw profile.

**dynamic packet timeout**

```
dynamic packet timeout
<integer(0-10000)>
```

**no dynamic packet timeout**

```
no dynamic packet timeout
```

**Prerequisites**

To set the dynamic packet timeout in Serial Profile Mode (Preemptive), the dynamic packet character trigger should be off.

```
iS5Comm(preempt-p2)# dynamic packet char off
```

## Parameters

Parameter	Type	Description
<integer(0-10000)>	Integer	Enter a number for dynamic packet timeout. The default is 10 milliseconds.

## Mode

Serial Profile Mode (Preemptive)

## Examples

```
iS5Comm(config)# serial connection-type preemptive-raw profile p2
iS5Comm(preemptive-p2)# dynamic packet char off
iS5Comm(preemptive-p2)# dynamic packet timeout 100
iS5Comm(preemptive-p2)# no dynamic packet timeout
iS5Comm(preemptive-p2)# packetizing enable
```

## 33.15. dynamic packet char

To demarcate the packets sent out of a dynamic client, use the **dynamic packet char** command in Serial Profile Mode (Preemptive). A dynamic client denotes a temporary client that connects to the preemptive raw profile.

### dynamic packet char

```
dynamic packet char
(off | <integer(0 - 255)>)
```

### Prerequisites

To set the dynamic packet character, the dynamic packet timeout command has to be disabled.

```
iS5Comm(preemptive-p2) # packetizing enable
iS5Comm(preemptive-p2) # dynamic packet timeout 0
```



## Parameters

Parameter	Type	Description
off		Enter to disable the dynamic packet char command. By default, the dynamic character trigger is OFF.
<integer(0 - 255)>	Integer	Enter a number for the dynamic packet character. Its range is between 0 and 255.

## Mode

Serial Profile Mode (Preemptive)

## Examples

```
i5Comm# configure terminal
i5Comm(config)# serial connection-type preemptive-raw profile p2
i5Comm(preemptive-p2)# packetizing enable
i5Comm(preemptive-p2)# dynamic packet timeout 0
i5Comm(preemptive-p2)# dynamic packet char 39
```

## 33.16. flow-control

To enable or disable hardware and software flow control, use the **flow-control** command in Serial Interface Configuration Mode. Flow control provides extra signaling to inform the transmitter that it should stop (pause) or start (resume) the transmission.

There is a hardware and software flow control.

For RS-232, the hardware method uses the RTS / CTS outputs. If the transmitter is ready to send data, then it sets the signal on the RTS line. If the receiver is ready to receive data, it sets the signal on the CTS line. If one of the signals is not set, no data transfer will occur.

The software method uses the Xon and Xoff characters (in the ASCII characters set: Xon = 17, Xoff = 19) which are transmitted using the same TXD / RXD communication lines as the main data instead of the pins. If the data cannot be received, the receiver transmits the Xoff symbol. To resume data transmission, the Xon symbol is sent.

### flow-control

```
flow-control
{hardware | none | software}
```

## Parameters

Parameter	Type	Description
hardware		Enter this option to enable hardware flow control.
none		Enter this option for no flow control.
software		Enter this option to enable software flow control.

## Mode

Serial Interface Configuration Mode

## Examples

```
iS5Comm # configure terminal
iS5Comm (config)# interface serial 0/9
iS5Comm (config-serial-if)# flow-control hardware
iS5Comm (config-serial-if)# flow-control software
iS5Comm (config-serial-if)# flow-control none
```

## 33.17. force half-duplex

To enable or disable half duplex mode of operation, use the **force half-duplex** command in Serial Interface Configuration Mode. While sending data out of the serial port, all received data is ignored. This mode of operation is available only on ports that operate in full duplex mode.

### force half-duplex

```
force half-duplex
{on | off}
```

## Parameters

Parameter	Type	Description
on		Enter this option to enable half duplex mode. Half duplex is to be used while the interface is either transmitting or receiving, while in full duplex mode, data can be received and transmitted simultaneously.
off		Enter this option to disable half duplex mode. This is default.

## Mode

Serial Interface Configuration Mode

## Examples

```
iS5Comm # configure terminal
iS5Comm (config)# interface serial 0/1
iS5Comm (config-serial-if)# force half-duplex on
iS5Comm (config-serial-if)# force half-duplex off
```

## 33.18. forward-exception

To enable / disable forwarding TCP exception, use the **forward-exception** command in Role Mode.

### forward-exception

```
MODBUS client
 forward-exception
 {enable | disable}
```

## Parameters

Parameter	Type	Description
enable		Enter this option to enable forwarding TCP exception. Default is enabled which is numerically denoted as 1.
disable		Enter this option to disable forwarding TCP exception. The numerical notation for disabled is 0.

## Mode

Role Mode (Modbus Client)

## Examples

```
iS5Comm# configure terminal
iS5Comm(config)# serial connection-type modbus profile m1
iS5Comm(modbus-m1)# role client
iS5Comm(modbus-m1-client)# forward-exception enable
```

## 33.19. hold-time

To define the maximum amount of time that the serial packet can be held in the queue before being sent to the serial line, use the **hold-time** command in Serial Interface Configuration Mode. Time is measured from the moment the packet is received from the IP Layer.

### hold-time

```
hold-time
<integer (0-15000)>
```

## Parameters

Parameter	Type	Description
<code>integer</code> (0-15000)	Integer	Enter a value, in milliseconds, for the delay time after which UART start listening to Rx line. The default is 0 ms.

## Mode

Serial Interface Configuration Mode

## Examples

```
iS5Comm # configure terminal
iS5Comm (config)# interface serial 0/9
iS5Comm (config-serial-if)# hold-time 500
iS5Comm (config-serial-if)# hold-time 0
```

## 33.20. interface serial

To help end users to select the serial interface in config mode, use the **interface serial** command Global Configuration Mode. They can make it administratively up and can configure all the serial parameters like baud rate, flow control, stop, parity, data bits, etc.

### interface serial

```
interface serial
<integer (<0>/<9-16>>>
```

## Parameters

Parameter	Type	Description
<code>integer</code> (<0>/<9-16>)	Integer	Enter a number that represent a serial interface number which a range between 9 through 16 or 0.

## Mode

Global Configuration Mode

## Examples

```
iS5Comm # configure terminal
iS5Comm(config)# interface serial 0/9
iS5Comm(config-serial-if)# baud-rate 115200
iS5Comm(config-serial-if)# force half-duplex on
iS5Comm(config-serial-if)# hardware flow-control enable
iS5Comm(config-serial-if)# hold-time 1234
iS5Comm(config-serial-if)# post-tx delay 12
iS5Comm(config-serial-if)# rx-to-tx delay 500
iS5Comm(config-serial-if)# software flow-control enable
iS5Comm(config-serial-if)# stop-bits 2
iS5Comm(config-serial-if)# turnaround delay 300
iS5Comm(config-serial-if)# parity even
iS5Comm(config-serial-if)# end
```

```
iS5Comm# show interfaces serial
```

```
Interface name : serial 9
Admin status : Up
Interface baudrate : 115200
Interface stopbits : 2
HW Flow ctl : Enabled
SE Flow ctl : Enabled
IfForceHD : Enabled
IfParity : Even
IfDataBits : 8
IfTurnAroundDelay : 300 secs
IfHoldTime : 1234 secs
IfPostTxDelay : 12 secs
IfRxToTxDelay : 500 secs
```

```
iS5Comm # configure terminal
iS5Comm(config)# interface serial 0/9
iS5Comm(config-serial-if)# shutdown
iS5Comm(config-serial-if)# end
```

```
iS5Comm# show interfaces serial
```

```
Interface name : serial 9
```

```

Admin status : Down
Interface baudrate : 115200
Interface stopbits : 2HW
Flow ctl : Enabled
SE Flow ctl : Enabled
IfForceHD : Enabled
IfParity : Even
IfDataBits : 8
IfTurnAroundDelay : 300 secs
IfHoldTime : 1234 secs
IfPostTxDelay : 12 secs
IfRxToTxDelay : 500 secs

```

## 33.21. keep-alive

To perform a *TCP* alive check time, use the **keep-alive** command in Direction Mode (Raw Socket) and Role Mode (Modbus). The time specifies how long the device will wait for a response to keep alive packets sent before terminating the *TCP* connection. If the remote host does not respond to the keep alive packet within the specified time, the device will force the existing *TCP* connection to close. This command is applicable for *TCP* connections and for raw as well as MODBUS modes.

### keep-alive timeout

```

keep-alive timeout
<integer(60-600)>

```

### no keep-alive timeout

```
no keep-alive timeout
```

### Parameters

Parameter	Type	Description
<integer(60-600)>	Integer	Enter a keep-alive timeout range in seconds. The default is 240 seconds.

### Mode

Direction Mode (Raw Socket)

Role Mode (Modbus Server/Client)

## Examples

```
iS5Comm# configure terminal
iS5Comm(config)# serial connection-type raw profile p1
iS5Comm(raw-p1)# transport protocol tcp
iS5Comm(raw-p1-TCP)# direction in
iS5Comm(raw-p1-TCP-in)# keep-alive timeout 5
```

```
iS5Comm# configure terminal
iS5Comm(config)# serial connection-type raw profile p1
iS5Comm(raw-p1)# transport protocol tcp
iS5Comm(raw-p1-TCP)# direction in
iS5Comm(raw-p1-TCP-in)# no keep-alive timeout
```

```
iS5Comm# configure terminal
iS5Comm(config)# serial connection-type modbus profile m1
iS5Comm(modbus-m1)# role server
iS5Comm(modbus-m1-server)# keep-alive timeout 70
iS5Comm(modbus-m1-server)# no keep-alive timeout
```

```
iS5Comm# configure terminal
iS5Comm(config)# serial connection-type modbus profile m2
iS5Comm(modbus-m2)# role client
iS5Comm(modbus-m2-client)# keep-alive timeout 70
iS5Comm(modbus-m1-client)# no keep-alive timeout
```

## 33.22. local client port

To the local client port when the device acts in a client mode both in Raw Socket and MODBUS connection types, use the **local client port** command Global Configuration Mode.

### local client port

Raw socket:

```
local client port <integer(15010-15110)>
```

MODBUS Client:



```
local client port {modbus | <integer(15010-15110)>}
```

## Parameters

Parameter	Type	Description
modbus		Enter to select Modbus. The TCP port number is 502. Software internally assigns 502 if an user configures Modbus as its port.
integer (15010-15110)		Enter a value for local client port ID. Port numbers range between 15010 to 15110.

## Mode

Direction mode (Raw)

Role mode (Modbus Client)

## Examples

```
iS5Comm(config)# serial connection-type raw profile p1
```

```
iS5Comm(raw-p1)# transport protocol tcp
```

```
iS5Comm(raw-p1-TCP)# direction out
```

```
iS5Comm(raw-p1-TCP-Out)# local client port 15010
```

```
iS5Comm(raw-p1-TCP-Out)# remote ipv4 address 192.168.20.66 port 15023
```

```
iS5Comm(raw-p1-TCP-Out)# !
```

```
iS5Comm(raw-p1-TCP)# !
```

```
iS5Comm(raw-p1)# connection-map interface serial 0/12
```

```
iS5Comm(raw-p1)# end
```

```
iS5Comm(config)# serial connection-type modbus profile m1
```

```
iS5Comm(modbus-m1)# role client
```

```
iS5Comm(modbus-m1-client)# local client port modbus
```

## 33.23. local server

To configure the local server port in use while listening for the incoming *TCP* or *UDP* connection, use the **local server** command in Direction Mode (Raw Socket) and Role Mode (Modbus). This command is also applicable to MODBUS server mode.

**local server**

Raw socket:

```
local server
port <integer(15010-15110)>
```

MODBUS:

```
local server
port {modbus | <integer(15010-15110)> }
```

**no local server port**

```
no local server port
```

**Parameters**

Parameter	Type	Description
port		Enter for a port to listen.
<integer(15010-15110)>	Integer	Enter a port range. The range is between 15010 to 15110.
modbus		Enter for Modbus mode.

**Mode**

Direction Mode (Raw)

Role Mode (Modbus Server)

**Examples**

```
iS5Comm(config)# serial connection-type raw profile p1
```

```
iS5Comm(raw-p1)# transport protocol tcp
```

```
iS5Comm(serial-p1-TCP)# direction in
```

```
iS5Comm(raw-p1-TCP-in)# local server port 15010
```

```
iS5Comm(config)# serial connection-type raw profile p1
```

```
iS5Comm(raw-p1)# transport protocol tcp
```

```
iS5Comm(serial-p1-TCP)# direction in
```

```
iS5Comm(raw-p1-TCP-in)# no local server port
```

For MODBUS connection-type:

```
iS5Comm(config)# serial connection-type modbus profile m1
```

```
iS5Comm(modbus-m1)# role server
```

```
iS5Comm(modbus-m1-server)# local server port modbus
```

```
iS5Comm(modbus-m1-server)# no local server port
```

## 33.24. loopback local

To enable loopback on a serial interface, use the command **loopback local** in Serial Interface Configuration Mode. The **no** form of this command disables the loopback on a physical interface.

**loopback local**

**no loopback local**

### Mode

Serial Interface Configuration Mode

### Examples

```
iS5Comm # configure terminal
```

```
iS5Comm(config)# interface serial 0/9
```

```
iS5Comm (config-serial-if)# loopback local
```

## 33.25. max client connections

To establish the maximum number of clients supported by MODBUS server, use the **max client connections** command in Role (server) Mode.

**max client connections**

```
max client connections
```

```
<integer(1-64)>
```

**no max client connections**

```
no max client connections
```

## Parameters

Parameter	Type	Description
<integer(1-64)>	Integer	Enter a maximum number of clients supported by MODBUS server. The default is 64.

## Mode

Role Mode (Modbus Server)

## Examples

```
i5Comm(config)# serial connection-type modbus profile m1
```

```
i5Comm(modbus-m1)# role server
```

```
i5Comm(modbus-m1-server)# max client connections 45
```

## 33.26. max connections

For configurations using *TCP*, to configure the maximum number of allowed incoming *TCP* connections, use the **max connections** command in Direction Mode. This is applicable when the device acts as a server (IN and IN-OUT direction).

### max connections

```
max connections
<integer(1-64)>
```

### no max connection

```
no max connection
```

## Parameters

Parameter	Type	Description
<integer(1-64)>	Integer	Enter a maximum number of allowed incoming TCP connections. The default is 1.

## Mode

Direction Mode (Raw)

## Examples

```
iS5Comm(config)# serial connection-type raw profile p1
iS5Comm(raw-p1)# transport protocol tcp
iS5Comm(raw-p1-TCP)# direction in
iS5Comm(raw-p1-TCP-in)# max connections 25
```

```
iS5Comm(config)# serial connection-type raw profile p1
iS5Comm(raw-p1)# transport protocol tcp
iS5Comm(raw-p1-TCP)# direction in
iS5Comm(raw-p1-TCP-in)# no max connections
```

## 33.27. max pending messages

For a maximum number of messages that Modbus server can handle from different clients, use the **max pending messages** command in Role Mode (Modbus server).

### max pending messages

```
max pending messages
<integer(0-16)>
```

### no max pending messages

```
no max pending messages
```

## Parameters

Parameter	Type	Description
<integer(0-16)>	Integer	Enter a maximum number of messages that Modbus server can handle from different clients. The default is 16.

## Mode

Role Mode (Modbus server)

## Examples

```
iS5Comm(config)# serial connection-type modbus profile m20
iS5Comm(modbus-m20)# role server
```

```
iS5Comm(modbus-m20-server)# max pending messages 10
```

```
iS5Comm(modbus-m20-server)# no max pending messages
```

## 33.28. max udp connections

To establish the maximum number of UDP host/client to connect with, use the **max udp connections** command in Transport Protocol UDP Mode.

### max udp connections

```
max udp connections
```

```
<integer(1-64)>
```

### Parameters

Parameter	Type	Description
<integer(1-64)>	Integer	Enter a UDP connections with which the device can connect with. The default is 64.

### Mode

Transport Protocol UDP Mode

### Examples

```
iS5Comm# configure terminal
```

```
iS5Comm(config)# serial connection-type raw profile udp
```

```
iS5Comm(raw-udp)# transport protocol udp
```

```
iS5Comm(raw-udp-UDP)# max udp connections 55
```

```
iS5Comm(raw-udp-UDP)# end
```

## 33.29. mtu

To configure the Maximum Transmission Unit ( *MTU* ) frame size for all frames transmitted and received on a serial interface, use the command **mtu** in Serial Interface Configuration Mode. The no form of this command sets the maximum transmission unit to the default value in all interfaces.

### mtu

```
mtu <frame-size(46-9216)>
```

## Parameters

Parameter	Type	Description
<code>&lt;frame-size (46-9216)&gt;</code>	Integer	Enter a size of the MTU frame. The value ranges from 46 to 9216 and defines the largest PDU that can be passed by the interface without any need for fragmentation. This value is shown to the higher interface sub-layer and should not include size of the encapsulation or header added by the interface. This value represents the IP MTU over the interface, if IP is operating over the interface. Default is 1500.

## Mode

Serial Interface Configuration Mode

## Examples

```
iS5Comm (config-serial-if)# mtu 900
```

## 33.30. packet char

To demarcate the packets sent out of serial interface, use the **packet char** command in Direction Mode or Serial Profile Mode. A specified character by this command will trigger packetizing and force forward the accumulated serial data to the network. The character length may range between 0 - 255.

### packet char

```
packet char
(off | <integer(0 - 255)>)
```

## Prerequisites

To set the packet character, packetizing has to be enabled and packet timeout has to be set as 0.

```
iS5Comm(raw-p1-TCP-out)# packetizing enable
iS5Comm(raw-p1-TCP-Out)# packet timeout 0
```

## Parameters

Parameter	Type	Description
off		Enter to disable packet char command. By default, the character trigger is OFF.
<integer(0 - 255)>	Integer	Enter a value for a packet character. Its range is between 0 and 255.

## Mode

Direction Mode (Raw)

Serial Profile Mode (Raw Preemptive)

## Examples

```
iS5Comm# configure terminal
iS5Comm(config)# serial connection-type raw profile p1
iS5Comm(raw-p1)# transport protocol tcp
iS5Comm(raw-p1-TCP)# direction out
iS5Comm(raw-p1-TCP-Out)# packetizing enable
iS5Comm(raw-p1-TCP-Out)# packet char 240
% Make sure packet timeout is 0 for profile p1 and retry !
iS5Comm(raw-p1-TCP-Out)# packet timeout 0
iS5Comm(raw-p1-TCP-Out)# packet char 240
iS5Comm(raw-p1-TCP-Out)# packet char off
iS5Comm(raw-p1-TCP-Out)# ex
iS5Comm(raw-p1-TCP)# direction in
iS5Comm(raw-p1-TCP-in)# packetizing enable
iS5Comm(raw-p1-TCP-in)# packet char 240
```

```
iS5Comm# configure terminal
iS5Comm(config)# serial connection-type preemptive-raw profile p2
iS5Comm(preempt-p2)# packetizing enable
iS5Comm(preempt-p2)# packet timeout 0
iS5Comm(preempt-p2)# packet char 39
```



```
iS5Comm(preempt-p2)# end
```

## 33.31. packet size

For the server to packetize based on packet size, use the **packet size** command in Direction Mode or Serial Profile Mode. The server packetizes and forwards the packet when the number of bytes reaches the configured value.

### packet size

```
packet size
<integer(16 - 1400)>
```

### no packet size

```
no packet size
```

### Prerequisites

To set the packet size in Direction Mode (Raw), packetizing has to be enabled.

```
iS5Comm(raw-p1-TCP-in)# packetizing enable
```

### Parameters

Parameter	Type	Description
<integer(16 - 1400)>	Integer	Enter a value for packet size. The default value is 1400.

### Mode

Direction Mode (Raw)

Serial Profile Mode (Raw Preemptive)

### Examples

```
iS5Comm# configure terminal
iS5Comm(config)# serial connection-type raw profile p1
iS5Comm(raw-p1)# transport protocol tcp
iS5Comm(raw-p1-TCP)# direction in
iS5Comm(raw-p1-TCP-in)# packet size 1340
iS5Comm(raw-p1-TCP-in)# no packet size
```

```
iS5Comm(config)# serial connection-type preemptive-raw profile p2
iS5Comm(preempt-p2)# packetizing enable
iS5Comm(preempt-p2)# packet size 19
iS5Comm(preempt-p2)# no packet size
```

## 33.32. packet timeout

To define the delay between the packets sent from serial ports, use the **packet timeout** command in Direction Mode or Serial Profile Mode (Raw).

### packet timeout

```
packet timeout
<integer(0-1000)>
```

### no packet timeout

```
no packet timeout
```

### Prerequisites

To set the packet timeout in Direction Mode (Raw), packetizing has to be enabled and packet char should be off.

```
iS5Comm(raw-p1-TCP-in) # packetizing enable
iS5Comm(raw-p1-TCP-in) # packetizing char off
```

### Parameters

Parameter	Type	Description
<integer(0-1000)>	Integer	Enter a timeout value in milliseconds. The default is 10 ms.

### Mode

Direction Mode (Raw)

Serial Profile Mode (Raw Preemptive)

### Examples

```
iS5Comm# configure terminal
iS5Comm(config)# serial connection-type raw profile p1
```

```
iS5Comm(raw-p1)# transport protocol tcp
iS5Comm(raw-p1-TCP)# direction in-out
iS5Comm(raw-p1-TCP-InOut)# packetizing enable
 Error: Cannot set packet timer for profile p1
 Check if packet char is off for profile p1 !
iS5Comm(raw-p1-TCP-InOut)# packet char off
iS5Comm(raw-p1-TCP-InOut)# packet timeout 500
iS5Comm(preempt-p2)# packet char off
iS5Comm(raw-p1-TCP-InOut)# end
```

```
iS5Comm# configure terminal
iS5Comm(config)# serial connection-type preemptive-raw profile p2
iS5Comm(preempt-p2)# packetizing enable
iS5Comm(preempt-p2)# packet timeout 600
iS5Comm(preempt-p2)# end
```

```
iS5Comm# configure terminal
iS5Comm(config)# serial connection-type raw profile p1
iS5Comm(raw-p1)# transport protocol tcp
iS5Comm(raw-p1-TCP)# direction in-out
iS5Comm(raw-p1-TCP-InOut)# no packet timeout
iS5Comm(raw-p1-TCP-InOut)# end
```

```
iS5Comm# configure terminal
iS5Comm(config)# serial connection-type preemptive-raw profile p2
iS5Comm(preempt-p2)# packetizing enable
iS5Comm(preempt-p2)# no packet timeout
iS5Comm(preempt-p2)# end
```

### 33.33. packetizing

For enable or disable packetizing, use the **packetizing** command in Direction Mode. Packetizing is a feature of Raw Socket which uses the *TCP* as its transport protocol. Only if this is enabled, the packet timer, packet size, and packet char can be set.

## packetizing

```
packetizing
 {enable | disable}
```

## Parameters

Parameter	Type	Description
enable		Enter this option to enable packetizing.
disable		Enter this option to disable packetizing. This is the default option.

## Mode

Direction Mode (Raw)

## Examples

```
iS5Comm# configure terminal
iS5Comm(config)# serial connection-type raw profile p1
iS5Comm(raw-p1)# transport protocol tcp
iS5Comm(raw-p1-TCP)# direction in
iS5Comm(raw-p1-TCP-in)# packetizing enable
iS5Comm(raw-p1-TCP-in)# packetizing disable
```

## 33.34. parity

To detect errors in transmission, use the **parity** command in Serial Interface Configuration Mode. When parity is used with a serial port, an extra data bit is sent with each data character and is arranged so that the number of 1 bits in each character, including the parity bit, is always odd or always even. If a byte is received with the wrong number of 1s, then, it must have been corrupted. However, an even number of errors can pass the parity check.

### parity

```
parity
 {none | even | odd}
```

## Parameters

Parameter	Type	Description
none		Enter this option for no error checking mechanism. This is default.
even		Enter this option for the number of 1's in the data plus parity to be an even number.
odd		Enter this option for the number of 1's in the data plus parity to be an odd number.

## Mode

Serial Interface Configuration Mode

## Examples

```
iS5Comm # configure terminal
iS5Comm(config)# interface serial 0/1
iS5Comm(config-serial-if)# parity even
iS5Comm(config-serial-if)# parity odd
iS5Comm(config-serial-if)# parity none
```

## 33.35. permanent-client

To configure the permanent client for preemptive mode, use the **permanent-client** command in Serial Profile Mode (Preemptive Raw).

In Preemptive mode, the device acts as a server and can support maximum of two clients (one can be active at any point of time). One is a permanent client (permanent master), and another is a dynamic client or dynamic master. The dynamic client can preempt the existing permanent client connection and can start data transfer with the device (acting as a server). After a certain period of idle time, the connection with the dynamic client is discontinued, and the permanent client resumes control.

### permanent-client

```
permanent-client
 ipv4 address <IpAddress>
```

### no permanent-client

```
no permanent-client
```

## Parameters

Parameter	Type	Description
ipv4 address		Enter to specify unicast IP address to be defined.
<IpAddress>	A.B.C.D	Enter the unicast IP address of the client which is connected to the server permanently.

## Mode

Serial Profile Mode (Preemptive Raw)

## Examples

```
iS5Comm# configure terminal
iS5Comm(config)# serial connection-type preemptive-raw profile p2
iS5Comm(preempt-p2)# permanent-client ipv4 address 192.168.20.66
iS5Comm(preempt-p2)# no permanent-client
```

## 33.36. post-tx delay

To define the delay after transmitting a packet, use the **post-tx delay** command in Serial Interface Configuration Mode. This is the dead time after transmitting a packet.

### post-tx delay

```
post-tx delay
<integer (0-15)>
```

## Parameters

Parameter	Type	Description
integer (0-15)	Integer	Enter a value (in seconds) for the delay after transmitting a packet.

## Mode

Serial Interface Configuration Mode

## Examples

```
iS5Comm # configure terminal
iS5Comm(config)# interface serial 0/9
iS5Comm(config-serial-if)# post-tx delay 12
```

## 33.37. re-connect timeout

For configurations enabling the device to perform reconnection attempts, use the **re-connect timeout** command in Direction Mode (Raw Socket) or Role Mode (Modbus Client). This is applicable when the device acts as a client attempting to connect an external server. This configuration also applies to a MODBUS client as well.

### re-connect timeout

```
re-connect timeout
<integer(60-300)>
```

### no re-connect timeout

```
no re-connect timeout
```

## Parameters

Parameter	Type	Description
<integer(60-300)>	Integer	Enter a maximum time for attempting to connect to an external server. The range is between 60 to 300 seconds, with a default of 120 seconds.

## Mode

Direction Mode (Raw Socket)  
Role Mode (Modbus Client)

## Examples

```
iS5Comm# configure terminal
iS5Comm(config)# serial connection-type raw profile p2
iS5Comm(raw-p2)# transport protocol tcp
iS5Comm(raw-p2-TCP)# direction out
iS5Comm(raw-p2-TCP-Out)# re-connect timeout 299
```

```
iS5Comm# configure terminal
iS5Comm(config)# serial connection-type raw profile p2
iS5Comm(raw-p2)# transport protocol tcp
iS5Comm(raw-p2-TCP)# direction out
iS5Comm(raw-p2-TCP-Out)# no re-connect timeout
```

#### Modbus client

```
iS5Comm(config)# serial connection-type modbus profile m1
iS5Comm(modbus-m1)# role client
iS5Comm(modbus-m1-client)# re-connect timeout 75
iS5Comm(modbus-m1-client)# no re-connect timeout
```

## 33.38. remote ipv4 address

To configure the remote IP and port for the device to communicate as a client, use the **remote ipv4 address** command in Direction Mode. The port “modbus” comes into picture for configuring Modbus.

### **remote ipv4 address**

Raw socket:

```
remote ipv4 address <IpAddress> port <integer(1-65535)>
```

MODBUS:

```
remote ipv4 address
<IpAddress> port {modbus | <integer(1-65535)>
```

### **no remote ipv4 address port**

```
no remote ipv4 address port
```



## Parameters

Parameter	Type	Description
<IpAddress>	A.B.C.D	Enter an Unicast IPv4 address.
port		Enter for a port to listen.
<integer(1-65535)>	Integer	Enter a number in the port range. The range is between 1-65535.
modbus		Enter for Modbus. The TCP port number for Modbus is 502. Software internally assigns 502 if user configures Modbus.

## Mode

Direction Mode (Raw Socket)

Role Mode (Modbus client)

## Examples

```
iS5Comm(config)# serial connection-type raw profile p1
```

```
iS5Comm(raw-p1)# transport protocol tcp
```

```
iS5Comm(raw-p1-TCP)# direction out
```

```
iS5Comm(raw-p1-TCP-out)# remote ipv4 address 192.168.20.66 port 650
```

```
iS5Comm(config)# serial connection-type raw profile p1
```

```
iS5Comm(raw-p1)# transport protocol tcp
```

```
iS5Comm(raw-p1-TCP)# direction out
```

```
iS5Comm(raw-p1-TCP-out)# no remote ipv4 address port
```

```
iS5Comm# configure terminal
```

```
iS5Comm(config)# serial connection-type modbus profile m1
```

```
iS5Comm(modbus-m1)# role client
```

```
iS5Comm(modbus-m1-client)# remote ipv4 address 192.168.20.66 port modbus
```

## 33.39. remove slave-id

To delete the MODBUS profile identification (its slave-id), use the **remove slave-id** command in Role Mode.

### remove slave-id

```
MODBUS server
```

```
remove slave-id
```

```
<ids> interface serial <interface-id>
```

```
MODBUS client
```

```
remove slave-id
```

```
<ids>
```

### Parameters

Parameter	Type	Description
ids (1-247)	Integer	Enter a value for the slave ID. The format is comma separated integer values with a maximum of 10 slave IDs per command.
interface serial		Enter this option for the interface to be defined.
interface-id (<0>/<9-16>)	Integer	Enter a value for the interface ID range. The serial interface ranges between 0/9-16. <b>NOTE:</b> Interface mapping is applicable only to server.

### Mode

Role Mode (Server /Client)

### Examples

```
iS5Comm# configure terminal
```

```
iS5Comm(config)# serial connection-type modbus profile m1
```

```
iS5Comm(modbus-m1)# role server
```

```
iS5Comm(modbus-m1-server)# add slave-id 1,2,3,4,5,6,7,8,9,10 interface serial 0/9
```

```
iS5Comm(modbus-m1-server)# remove slave-id 1,2,3,4,5,6,7,8,9,10 interface serial 0/9
```

```
iS5Comm(modbus-m1-server)# exit
```

```
iS5Comm(modbus-m1)# role client
iS5Comm(modbus-m1-client)# remove slave-id
iS5Comm(modbus-m1)# exit
```

## 33.40. remove udp-host

To remove an *UDP* remote host from the raw socket profile, use the **remove udp-host** command in Transport Protocol *UDP* Mode. By this command we can restrict the device to allow data transfer to only selected remote host / clients.

### remove udp-host

```
remove udp-host
 {<IpAddress> port <integer(1-65535)>
```

### Parameters

Parameter	Type	Description
<IpAddress>	A.B.C.D	Unicast IP address of the remote host.
port		Enter for a port of the UDP remote host.
<integer(1-65535)>		Enter a port number of the remote host.

### Mode

Transport Protocol UDP Mode

### Examples

```
iS5Comm(config)# serial connection-type raw profile udp
iS5Comm(raw-udp)# transport protocol udp
iS5Comm(raw-udp-UDP)# remove udp-host 192.168.20.66 port 35478
iS5Comm(raw-udp-UDP)# end
```

## 33.41. response-timeout

To define the response time of a serial port, use the **response-timeout** command in Role Mode (Modbus).

Response time is the time to wait for a response from a serial port.

Same as for slave IDs, response time configuration is bound to:

- an interface for MODBUS servers, or
- a profile for MODBUS clients

### response-timeout

MODBUS server

```
response-timeout
<integer(50-10000)> interface serial <interface-id>
no response-timeout
<ids> interface serial <interface-id>
```

MODBUS client

```
response-timeout
<integer(50-10000)>
no response-timeout
```

### Parameters

Parameter	Type	Description
<integer(50-10000)>	Integer	Enter a value for the response timeout in milliseconds. The default is 2000 ms.
interface serial		Enter this option for the interface to be defined.
< interface-id (0/9-16)>	Integer	Enter a value for the interface id range. The serial interface range is between 0/9-16. <b>NOTE:</b> Interface mapping is applicable only to server.

### Mode

Role Mode (Modbus Server / Client)

## Examples

```
i5Comm# configure terminal
i5Comm(config)# serial connection-type modbus profile m1
i5Comm(modbus-m1)# role server
i5Comm(modbus-m1-server)# response-timeout 50 interface serial 0/9
i5Comm(modbus-m1-server)# exit
```

```
i5Comm(modbus-m1)# role client
i5Comm(modbus-m1-client)# response-timeout 300
```

## 33.42. role

To define the MODBUS profile to act either as a server or a client, use the **role** command in Profile Mode.

### role

```
role
 {server | client}
```

### Parameters

Parameter	Type	Description
server		Enter this option for the MODBUS profile to act as a server.
client		Enter this option for the MODBUS profile to act as a client.

### Mode

Serial Profile Mode (Server / Client)

### Examples

```
i5Comm# configure terminal
i5Comm(config)# serial connection-type modbus profile m1
i5Comm(modbus-m1)# role server
i5Comm(modbus-m1-server)# exit
i5Comm(modbus-m1)# role client
```

```
iS5Comm(modbus-m1-client)# exit
```

### 33.43. rx-to-tx delay

To define the delay between Receive mode and Transmit mode, use the **rx-to-tx delay** command in Serial Interface Configuration Mode.

#### rx-to-tx delay

```
rx-to-tx delay
<integer (0-1000)>
```

#### Parameters

Parameter	Type	Description
integer (0-1000)	Integer	Enter a value for request to transmit delay (in seconds).

#### Mode

Serial Interface Configuration Mode

#### Examples

```
iS5Comm # configure terminal
iS5Comm(config)# interface serial 0/9
iS5Comm(config-serial-if)# rx-to-tx delay 500
```

### 33.44. serial connection-type

To define a profile name and its connection type, use the **serial connection-type** command in Global Configuration Mode. There are three modes available: raw, raw-preemptive, and Modbus. The profile is created by this command and is not activated until a serial interface is mapped to it.

#### serial connection-type

```
serial connection-type
{raw | preemptive-raw | modbus} profile <string(64)>
```

#### no serial profile

```
no serial profile <string(64)>
```

## Parameters

Parameter	Type	Description
raw		Enter for raw mode. User can configure a simple raw mode for TCP or UDP communication.
raw-preemptive		Enter for preemptive mode. The device acts as a server in preemptive mode. In this mode, direction and protocol are implicitly set as IN and TCP. Any dynamic client can preempt the permanent client and start communicating with the device for specified period of time
modbus		Enter for Modbus mode.
profile		Enter for profile name definition.
<string(64)>	string	Enter a string for an user defined profile name

## Mode

Global Configuration Mode

## Examples

```
iS5Comm(config)# serial connection-type raw profile p1
iS5Comm(raw-p1)# exit
iS5Comm(config)# serial connection-type preemptive-raw profile p2
iS5Comm(preempt-p2)# exit
iS5Comm(config)# serial connection-type modbus profile p3
iS5Comm(modbus-p3)# exit
iS5Comm(config)# no serial profile profile1
iS5Comm(config)# no serial profile profile2
iS5Comm(config)# no serialprofile profile3
```

## 33.45. show interfaces serial

To display the serial profile configuration, use the command **show interfaces serial** in Privileged EXEC Mode.

### show interfaces serial

```
show interfaces serial
```

```
<interface-id> <0>/<9-16>
```

## Parameters

Parameter	Type	Description
interface serial		Enter to display the serial interface details.
<interface-id>		Enter to display a specific slot number / port number. The format is <0>/<9-16> without spaces between Slot Number/Port Number. For example, 0/9.

## Mode

Privileged EXEC Mode

## Examples

```
iS5Comm# show interfaces serial 0/9
```

```

Interface name : serial 0/9
Admin status : Up
Baudrate : 9600
Data bits : 8
Parity : Even
Stop bits : 2
Flow control : None
Interface type : rs232
Termination resistor : Disabled
Force HD : Enabled
Turn around delay : 0 secs
Hold time : 0 secs
Post Tx delay : 12 secs
Rx to Tx delay : 500 secs

```

## 33.46. show serial profile

To display the serial profile configuration and display both the active and inactive profiles, use the command **show serial profile** in Privileged EXEC Mode.

### show serial profile

```
show serial profile
```



```
{all | active | inactive | name <string(64)> | interface serial <inter-
face-id> <0>/<9-16>}
```

## Parameters

Parameter	Type	Description
all		Enter to display all profiles no matter active or inactive.
active		Enter to display all active profiles. Active profiles are the these with a serial interface mapped to them.
inactive		Enter to display all inactive profiles. Inactive profiles are the these with no serial interface mapped to them.
name		Enter to display a profile by its name.
string(64)		Enter the name of the profile to be displayed.
interface serial		Enter to display a profile based on a serial interface.
<interface-id>		Enter to display a profile by specific slot number / port number. The format is <0>/<9-16> without spaces between Slot Number/Port Number. For example, 0/9.

## Mode

Privileged EXEC Mode

## Examples

iS5Comm# show serial profile all

```
Profile : p1
Status : Inactive
Packet size : 1400
Buffering : Disabled
Packetizing : Disabled
Max connection : 64
TCP keep alive seconds : 240
```

```
Profile : m1
Status : Inactive
Role : Server
Local client port : 502
Keep-alive seconds : 240
```

```
Max connections : 64
Max TCP pending messages: 16
Send exception : Enabled
```

```
iS5Comm# configure terminal
```

```
iS5Comm(config)# serial connection-type raw profile PROF_X2
```

```
iS5Comm(raw-PROF_X2)# transport protocol tcp
```

```
iS5Comm(raw-PROF_X2-TCP)# direction out
```

```
iS5Comm(raw-PROF_X2-TCP-Out)# enable mirroring interface gi 0/10 dest-mac
00:01:02:03:04:05 source-ip 192.168.11.12
```

```
iS5Comm(raw-PROF_X2-TCP-Out)# exit
```

```
iS5Comm(raw-PROF_X2-TCP)# exit
```

```
iS5Comm(raw-PROF_X2)# connection-map interface serial 0/17
```

```
iS5Comm(raw-PROF_X2)# end
```

```
iS5Comm# show serial profile all
```

```
Profile : PROF_X2
Status : Inactive
Transport Protocol : TCP
Direction : OUT
Remote server IP : 192.168.10.16
Remote server port : 15030
Local client port : 15036
Packet size : 1400
Buffering : Disabled
Packetizing : Disabled
Serial TCP Mirroring : Enabled
Reconnect time (Sec) : 120
Max connection : 64
TCP keep alive seconds : 240
```

```
Profile : PROF_X1_OUT
Status : Active
Serial interface : 18
Protocol : RAW Socket
Mode : Client
Direction : Out
Transport : TCP
```

```
Remote Server IP : 192.168.10.15
Remote Server Port : 15030
Serial RX byte counter : 5
Serial TX byte counter : 0
TCP RX byte counter : 0
TCP TX byte counter : 5
TCP Packets retry : 0
TCP Bytes retry : 0
Connection to server : TCP Mirroring enabled
Mirror Destination Port : 10
Mirror Source IP : 192.168.111.112
Mirror Destination Mac : 00:01:02:03:04:05
Local Client Port : 15035
KeepAlive interval (sec) : 240
Reconnect timer(sec) : 120
Packetizing : OFF
TCP buffering : disabled
Turnaround delay(msec) : 0
Hold time(msec) : 0
Rx-to-Tx delay(msec) : 0
```

**iS5Comm# show serial profile interface serial 0/9**

```
Profile : p3
Status : Active
Serial interface : 9
Protocol : RAW Socket
Transport : UDP
Max connections : 64
Remote connections : 2
Remote Ip 1 : 192.168.20.66
Remote Port 1 : 15031
Remote Udp 1 RX cnt : 0
Remote Udp 1 TX cnt : 4
Remote Ip 2 : 192.168.20.66
Remote Port 2 : 49777
Remote Udp 2 RX cnt : 6
Remote Udp 2 TX cnt : 4
Local IP : 192.168.20.2
Local Port : 15030
Serial RX byte counter : 4
```

```
Serial TX byte counter : 6
Pack size : 1400
Pack timer(msec) : 10
Pack char : disabled
Turnaround delay(msec) : 0
Hold time(msec) : 0
Rx-to-Tx delay(msec) : 0
```

## 33.47. shutdown

To disable a serial interface, use the command **shutdown** in Serial Interface Configuration Mode. The **no** form of the command enables the interface.

**shutdown**

**no shutdown**

### Mode

Serial Interface Configuration Mode

### Examples

```
iS5Comm(config-serial-if)# shutdown
```

## 33.48. stop-bits

To signal the end of a serial frame or packet, use the **stop-bits** command in Interface Configuration Mode. The stop bit is used to signal the completion of the message transmission.

**stop-bits**

```
stop-bits
```

```
<integer (1-2)>
```

**no stop-bits**

```
no stop-bits
```

## Parameters

Parameter	Type	Description
integer (1-2)	Integer	Enter a value from the range. The default is 1. Choose 1 stop bit if parity is used or 2 stop bits with no parity.

## Mode

Serial Interface Configuration Mode

## Examples

```
iS5Comm # configure terminal
```

```
iS5Comm(config)# interface serial 0/1
```

```
iS5Comm(config-serial-if)# stop-bits 1
```

```
iS5Comm(config-serial-if)# no stop-bits
```

**NOTE:** “no stop-bits” will revert the stop bits settings to default value which is 1.

## 33.49. tcp buffering

To buffer data, use the **tcp buffering** command in Direction Mode (Raw) and Profile Mode (Preemptive-Raw). *TCP* buffering is similar to `TCP_NODELAY`. If this feature is set, it follows Nagle algorithm, and data is buffered until there is a sufficient amount to be send out, thereby avoiding frequent sending of small packets, which results in poor utilization of the network. If this feature is not set, the segments are always sent as soon as possible, even if there is only a small amount of data.

### tcp buffering

```
tcp buffering
{enable | disable}
```

## Parameters

Parameter	Type	Description
enable		Enter this option to enable TCP buffering.
disable		Enter this option to disable TCP buffering. This is the default option.

## Mode

Direction Mode (Raw)

Serial Profile Mode (Preemptive Raw)

## Examples

```
iS5Comm# configure terminal
iS5Comm(config)# serial connection-type raw profile p1
iS5Comm(raw-p1)# transport protocol tcp
iS5Comm(raw-p1-TCP)# direction in
iS5Comm(raw-p1-TCP-in)# tcp buffering enable
iS5Comm(raw-p1-TCP-in)# tcp buffering disable
```

```
iS5Comm# configure terminal
iS5Comm(config)# serial connection-type preemptive-raw profile p2
iS5Comm(preempt-p2)# tcp buffering disable
iS5Comm(preempt-p2)# tcp buffering enable
```

## 33.50. transmit-exception

To enable / disable sending *TCP* exception back to the master if a response has not been received from RTU within the expected time, use the **transmit-exception** command in Role Mode.

### transmit-exception

```
MODBUS server
 transmit-exception
 {enable | disable}
```

## Parameters

Parameter	Type	Description
enable		Enter this option to enable sending TCP exception back to the master. Default is "Enable" which is numerically denoted as 1.
disable		Enter this option to disable sending TCP exception back to the master. The numerical notation for disable is 0.

## Mode

Role Mode (Modbus Server)

## Examples

```
iS5Comm# configure terminal
iS5Comm(config)# serial connection-type modbus profile m1
iS5Comm(modbus-m1)# role server
iS5Comm(modbus-m1-server)# transmit-exception enable
```

## 33.51. transport protocol

To configure the transport protocol to be used for Raw Socket communication, use the **transport protocol** command in Serial Profile Mode (Raw Socket). The transport protocol can be either TCP or UDP.

### transport protocol

```
transport protocol
{tcp | udp}
```

## Parameters

Parameter	Type	Description
tcp		Enter for Transmission Control Protocol.
udp		Enter for User Datagram Protocol.

## Mode

Serial Profile Mode (Raw Socket)

## Examples

```
iS5Comm(config)# serial connection-type raw profile p1
```

```
iS5Comm(raw-p1)# transport protocol
```

SERIAL\_TRANSPORT commands :

```
transport protocol { tcp | udp }
```

```
iS5Comm(raw-p1)# transport protocol tcp
```

```
iS5Comm(serial-p1-TCP)# !
```

```
iS5Comm(raw-p1)# transport protocol udp
```

```
iS5Comm(raw-p1-UDP)#
```

## 33.52. turnaround delay

To define the delay between individual messages, use the **turnaround delay** command in Serial Interface Configuration Mode. This is the amount of delay inserted between the transmission of individual messages on a serial port. It represents the delay between sending a message and the next poll out of the serial port. Some devices does not respond to specific message like broadcast; in that case, enough time must be ensured for processing.

### turnaround delay

```
turnaround delay
<integer (0-1000)>
```



## Parameters

Parameter	Type	Description
<code>integer</code> (0-1000)	Integer	Enter a value for the delay between individual messages. The default is 0 ms.

## Mode

Serial Interface Configuration Mode

## Examples

```
iS5Comm # configure terminal
iS5Comm(config)# interface serial 0/1
iS5Comm(config-serial-if)# turnaround delay 100
iS5Comm(config-serial-if)# turnaround delay 0
```

## 33.53. enable mirroring interface

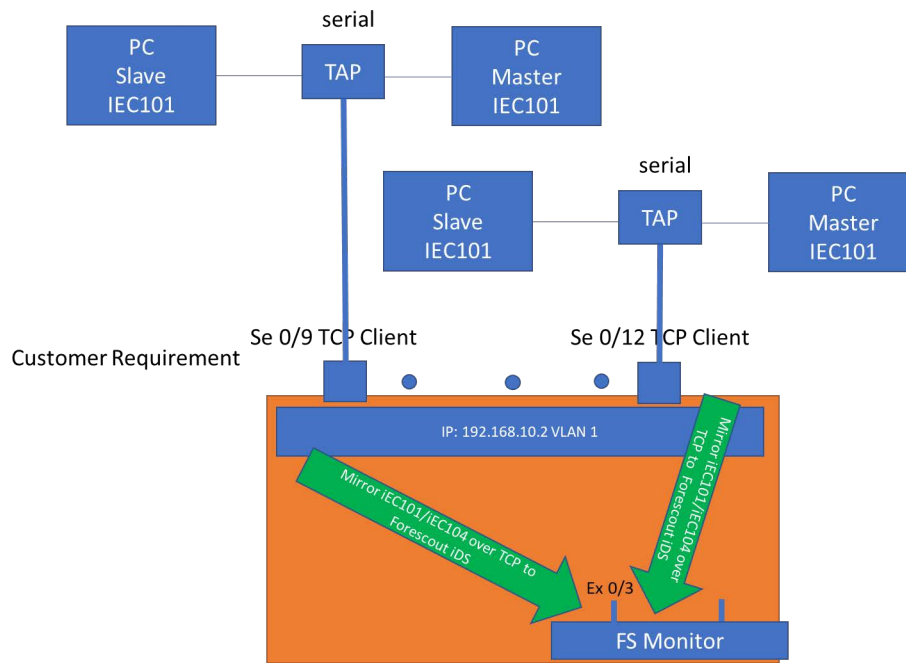
To enable the Serial TCP mirroring feature on raw-socket profile acting as TCP client, use the **enable mirroring interface** command in Direction (Out) Mode (Raw). Enabling this feature would simulate TCP stream with the received serial data as payload for the TCP traffic.

Serial TCP mirroring feature is intended to monitor the serial data from the Serial Tap as TCP traffic.

### Serial TCP Mirroring

The destination port simulates an exchange between a TCP client and TCP server and forwards (mirrors) it on a separate destination Ethernet port.

**Figure 3:** Serial TCP Mirroring



**enable mirroring interface**

enable mirroring interface

```
<ifXtype> <ifnum> [dest-mac <mac_addr>] [source-ip <ip_addr>]
```

**Parameters**

Parameter	Type	Description
ifXtype		Enter destination interface type.
ifnum		Enter destination interface number (e.g. 0/X)
dest-mac		Enter for a destination unicast MAC Address for the TCP data packet.
mac_addr		Enter a destination unicast MAC for the TCP data packet.
source-ip		Enter for a source unicast MAC Address for the TCP data packet.
mac_addr		Enter a source unicast MAC Address for the TCP data packet.

**Mode**

Direction (Out) Mode (Raw)

## Examples

### Example 1

```
iS5Comm# configure terminal
iS5Comm(config)# serial connection-type raw profile PROF_X2
iS5Comm(raw-PROF_X2)# transport protocol tcp
iS5Comm(raw-PROF_X2-TCP)# direction out
iS5Comm(raw-PROF_X2-TCP-Out)# enable mirroring interface gigabitethernet 0/10
iS5Comm(raw-PROF_X2-TCP-Out)# remote ipv4 address 192.168.10.16 port 15030
iS5Comm(raw-PROF_X2-TCP-Out)# local client port 15036
iS5Comm(raw-PROF_X2-TCP-Out)# exit
iS5Comm(raw-PROF_X2-TCP)# exit
iS5Comm(raw-PROF_X2)# connection-map interface serial 0/17
iS5Comm(raw-PROF_X2)# end
```

### Example 2

```
iS5Comm# configure terminal
iS5Comm(config)# serial connection-type raw profile PROF_X2
iS5Comm(raw-PROF_X2)# transport protocol tcp
iS5Comm(raw-PROF_X2-TCP)# direction out
iS5Comm(raw-PROF_X2-TCP-Out)# enable mirroring interface gigabitethernet 0/10 dest-mac
 00:01:02:03:04:05 source-ip 192.168.11.12
iS5Comm(raw-PROF_X2-TCP-Out)# exit
iS5Comm(raw-PROF_X2-TCP-Out)# remote ipv4 address 192.168.10.16 port 15030
iS5Comm(raw-PROF_X2-TCP-Out)# local client port 15036
iS5Comm(raw-PROF_X2-TCP)# exit
iS5Comm(raw-PROF_X2)# connection-map interface serial 0/17
iS5Comm(raw-PROF_X2)# end
```

## Verification

Once the feature is enabled on any given serial profile, the serial data received on the corresponding serial port shall be encapsulated as a TCP packet with the specific L2, L3 and L4 headers as specified in the configuration. This encapsulated traffic would be sent on the configured destination port. The Wire-shark capture of the traffic received from the destination port should show a valid TCP transaction.

```
iS5Comm# show serial profile interface serial 0/10
```

```
Profile : PROF_X1_OUT
Status : Active
Serial interface : 18
Protocol : RAW Socket
Mode : Client
Direction : Out
Transport : TCP
Remote Server IP : 192.168.10.15
Remote Server Port : 15030
Serial RX byte counter : 100015
Serial TX byte counter : 0
TCP RX byte counter : 0
TCP Bytes retry : 0
Connection to server : TCP Mirroring enabled
Mirror Destination Port : 10
Mirror Source IP : 192.168.111.112
Mirror Destination Mac : 00:01:02:03:04:05
Local Client Port : 15035
KeepAlive interval (sec) : 240
Reconnect timer(sec) : 120
Packetizing : OFF
TCP buffering : disabled
Turnaround delay(msec) : 0
Hold time(msec) : 0
Rx-to-Tx delay(msec) : 0
```

## 33.54. disable mirroring

To disable the Serial TCP mirroring feature on raw-socket profile acting as TCP client, use the **disable mirroring interface** command in Direction (Out) Mode (Raw). Disabling the feature would mean that the serial profile would act as traditional TCP client attempting to connect to the specified remote TCP server.

### disable mirroring

```
disable mirroring
```

### Mode

```
Direction (Out) Mode (Raw)
```

## Examples

```
i5Comm# configure terminal
i5Comm(config)# serial connection-type raw profile PROF_X2
i5Comm(raw-PROF_X2)# transport protocol tcp
i5Comm(raw-PROF_X2-TCP)# direction out
i5Comm(raw-PROF_X2-TCP-Out)# disable mirroring
i5Comm(raw-PROF_X2-TCP-Out)# exit
i5Comm(raw-PROF_X2-TCP)# exit
i5Comm(raw-PROF_X2)# connection-map interface serial 0/17
i5Comm(raw-PROF_X2)# end
```

```
i5Comm(config)# serial connection-type raw profile PROF_X1_OUT
i5Comm(raw-PROF_X1_OUT)# transport protocol tcp
i5Comm(raw-PROF_X1_OUT-TCP)# disable mirroring
i5Comm(raw-PROF_X1_OUT-TCP)#
```

## 33.55. serial-port-offline

To enable or disable the serial port offline indication feature, use the command **serial-port-offline** in Serial Interface Configuration Mode. The serial port offline indication feature is used to monitor whether or not a serial tap is connected to a serial interface with this feature enabled.

### serial-port-offline

```
{enable | disable}
```

### Parameters

Parameter	Type	Description
enable		Select it to enable the serial port offline indication feature.
disable		Select it to disable the serial port offline indication feature.

### Mode

Serial Interface Configuration Mode

## Examples

```
iS5Comm# configure terminal
```

```
iS5Comm (config)# interface serial 0/10
```

```
iS5Comm (config-serial-if)# serial-port-offline enable
```

---

# GLOSSARY ENTRIES

## **802.1D**

IEEE 802.1D is the Ethernet MAC bridges standard which includes Bridging, Spanning Tree and others. It is standardized by the IEEE 802.1 working group. It includes details specific to linking many of the other 802 projects including the widely deployed 802.3 (Ethernet), 802.11 (Wireless LAN) and 802.16 (WiMax) standards.

Bridges using virtual LANs (VLANs) have never been part of 802.1D, but were instead specified in separate standard, 802.1Q originally published in 1998.

By 2014, all the functionality defined by IEEE 802.1D has been incorporated into either IEEE 802.1Q (Bridges and Bridged Networks) or IEEE 802.1AC (MAC Service Definition).

## **802.1Q**

IEEE 802.1Q, often referred to as DOT1Q or 1Q, is the networking standard that supports virtual LANs (VLANs) on an IEEE 802.3 Ethernet network. It is the most widely used encapsulation method for VLAN tagging.

## **802.1X**

IEEE 802.1X is an IEEE Standard for port-based Network Access Control (PNAC). 802.1X authentication requires a client, an authenticator, and an authentication server. The client is a device that wants to connect to the network.

## **802.1W**

IEEE 802.1W feature provides rapid traffic reconvergence for point-to-point links within a few milliseconds (0-500 milliseconds), following the failure of bridge or bridge point. This reconvergence occurs more rapidly than the reconvergence provided by the 802.1F spanning Tree Protocol (STP) or by RSTP.

## **AAA**

Authentication, Authorization and Accounting (AAA) functionalities. AAA are provided by TACACS+. TACACS+ is used because it provides independently separate and modular authentication, authorization, and accounting (AAA) facilities achieved by a single access control server (the TACACS+ daemon).

## **AARP**

AppleTalk Address Resolution Protocol (AARP). The AARP maps computers' physical hardware addresses to their temporarily assigned AppleTalk network addresses. AARP is functionally equivalent to Address Resolution Protocol (ARP). The AARP table permits management of the address mapping table on the managed device. This protocol allows Apple computers' AppleTalk hosts to generate their own network addresses

## **ABR**

Area Border Router (ABR)

## **ACK**

ACK stands for acknowledgment. ACK is one of the TCP flags.

---

TCP flags are various types of flag bits present in the TCP header. Each of them has its own significance. They initiate connections, carry data, and tear down connections. The commonly used TCP flags are SYN, ACK, RST, FIN, URG, PSH.

- SYN (synchronize): Packets that are used to initiate a connection.
- ACK (acknowledgment): Packets that are used to confirm that the data packets have been received, also used to confirm the initiation request and tear down requests.
- RST (reset): Signify the connection is down or maybe the service is not accepting the requests.
- FIN (finish): Indicate that the connection is being torn down. Both the sender and receiver send the FIN packets to gracefully terminate the connection.
- PSH (push): Indicate that the incoming data should be passed on directly to the application instead of getting buffered.
- URG (urgent): Indicate that the data that the packet is carrying should be processed immediately by the TCP stack

### **ACL**

An access-control list (ACL) is a list of permissions associated with a system resource (object). An ACL specifies which users or system processes are granted access to objects, as well as what operations are allowed on given objects. Each entry in a typical ACL specifies a subject and an operation. For instance, if a file object has an ACL that contains (Admin: read, write; guest 1: read), this would give Admin permission to read and write the file, and only give guest 1 permission to read it.

### **AES**

The Advanced Encryption Standard (AES) is a symmetric-key block cipher algorithm and U.S. government standard for secure and classified data encryption and decryption.

### **AH**

The Authentication Header (AH) protocol provides data origin authentication, data integrity, and replay protection. However, AH does not provide data confidentiality, which means that all of your data is sent in the clear.

AH ensures data integrity with the checksum that a message authentication code, like MD5, generates. To ensure data origin authentication, AH includes a secret shared key in the algorithm that it uses for authentication. To ensure replay protection, AH uses a sequence number field within the AH header. It is worth noting here, that these three distinct functions are often lumped together and referred to as authentication. In the simplest terms, AH ensures that your data has not been tampered with en route to its final destination.

Although AH authenticates as much of the IP datagram as possible, the values of certain fields in the IP header cannot be predicted by the receiver. AH does not protect these fields, known as mutable fields. However, AH always protects the payload of the IP packet.

The Internet Engineering Task Force (IETF) formally defines AH in Request for Comment (RFC) 4302, IP Authentication Header.

### **AO**

*Authentication Option (AO). TCP-AO specifies the use of stronger Message Authentication Codes (MACs), protects against replays even for long-lived TCP connections, and provides more details on the association of security with TCP connections than TCP MD5. TCP-AO is compatible with either a static Master Key Tuple (MKT) configuration or an external, out-of-band MKT management mechanism; in either case, TCP-AO also protects connections when using the same MKT across repeated*



---

*instances of a connection, using traffic keys derived from the MKT, and coordinates MKT changes between endpoints.*

#### **ARAP**

Apple Remote Access Protocol (ARAP); the Apple Remote Access Protocol (ARAP) sends traffic based on the AppleTalk protocol across PPP links and ISDN switched-circuit networks. ARAP is still pervasive in the Apple market, although the company is attempting to transition into an Apple-specific TCP stack for use over a PPP link.

#### **ARP**

ARP (Address Resolution Protocol). The ARP is a communication protocol used for discovering the link layer address, such as a MAC address, associated with a given Internet layer address, typically an IPv4 address.

#### **AS**

Autonomous System (AS)

#### **ASBR**

Autonomous Border System Router (ASBR)

#### **Asdot**

Asdot format is used when the 4-byte ASN are represented by their decimal value e.g. 100.1. BGP uses AS numbers as a fundamental part of its routing process. Because conventional 2-byte public AS numbers were becoming exhausted, the IANA increased the AS numbers by introducing a 4-byte AS numbers. The Asdot notation to represent these AS numbers is as follows. For values between 0 and 65535, Asdot notation is simply the decimal value of the AS number. These values take up to 16 bits to express in binary. Examples include:

- 5
- 25
- 196
- 65000
- 65535

For values above 65536, Asdot notation splits the 32 bit binary value into two 16 bit values. These values are represented as two decimal numbers separated by a dot. Examples include:

- 0.65536
- 15.418
- 65535.8520
- 65535.65535

You will notice that for values of up to 65535, the Asdot is the same as the Asplain notation, and for values of 65536 and above, the Asdot is the same as the Asdot+ notation.

#### **ASN**

Autonomous System Number (ASN)

#### **BDR**

BDR stands for Backup Designated Router.

---

**BFD**

Bidirectional Forwarding Detection (BFD) is a super fast protocol that is able to detect link failures within milliseconds or even microseconds. BFD runs independent from any other (routing) protocols. Once it's up and running, you can configure protocols like OSPF, EIGRP, BGP, HSRP, MPLS LDP etc. to use BFD for link failure detection instead of their own mechanisms. When the link fails, BFD will inform the protocol

**BGP**

BGP (Border Gateway Protocol) is an Inter AS (Autonomous Systems) Routing Protocol that manages the distribution of Network Layer Reachability Information (NLRI) across AS. It is used to build an AS connectivity graph that is used to prune routing loops and enforce policies at AS level

**BGP**

BGP-4 is an extension of BGP-3 (BGP version 3), and it is the current version of BGP. BGP4 was published as RFC 4271 in 2006. Its major enhancement is the support for Classless Inter-Domain Routing (CIDR) and use of route aggregation to decrease the size of routing tables. The new RFC allows BGP4 to carry a wide range of IPv4 and IPv6 "address families".

**BIDIR-PIM**

Bi-directional Sparse Mode (PIM-SM); Derived from PIM-SM, BIDIR-PIM builds and maintains a bidirectional RPT, which is rooted at the RP and connects the multicast sources and the receivers. Along the bidirectional RPT, the multicast sources send multicast data to the RP, and the RP forwards the data to the receivers. Each router along the bidirectional RPT needs to maintain only one (\*, G) entry, saving system resources.

Another difference between PIM sparse mode and PIM bidirectional mode is that with sparse mode traffic only flows down the shared tree. Using PIM bidirectional mode, traffic will flow up and down the shared tree. When the multicast packets arrive at the RP, they will be forwarded down the shared tree (if there are receivers) or dropped (when we don't have receivers).

**BMS**

Best Master Clock (BMS); The ordinary clock executes the port state machine and BMC (Best Master Clock) algorithm to select the *PTP* port state.

**BOOTP**

The Bootstrap Protocol (BOOTP) is a computer networking protocol used in Internet Protocol networks to automatically assign an IP address to network devices from a configuration server. The BOOTP was originally defined in RFC 951.

**BPDU**

Bridge Protocol Data Units (BPDUs) are frames that contain information about the spanning tree protocol (STP). A switch sends BPDUs using a unique source MAC address from its origin port to a multicast address.

There are two kinds of BPDUs for 802.1D Spanning Tree:

- Configuration BPDU, sent by root bridges to provide information to all switches.
- TCN (Topology Change Notification), sent by bridges towards the root bridge to notify changes in the topology, such as port up or port down.

**BPS**

BPS (Bits-per-second)

---

**BR**

Border Router (BR)

**BSD**

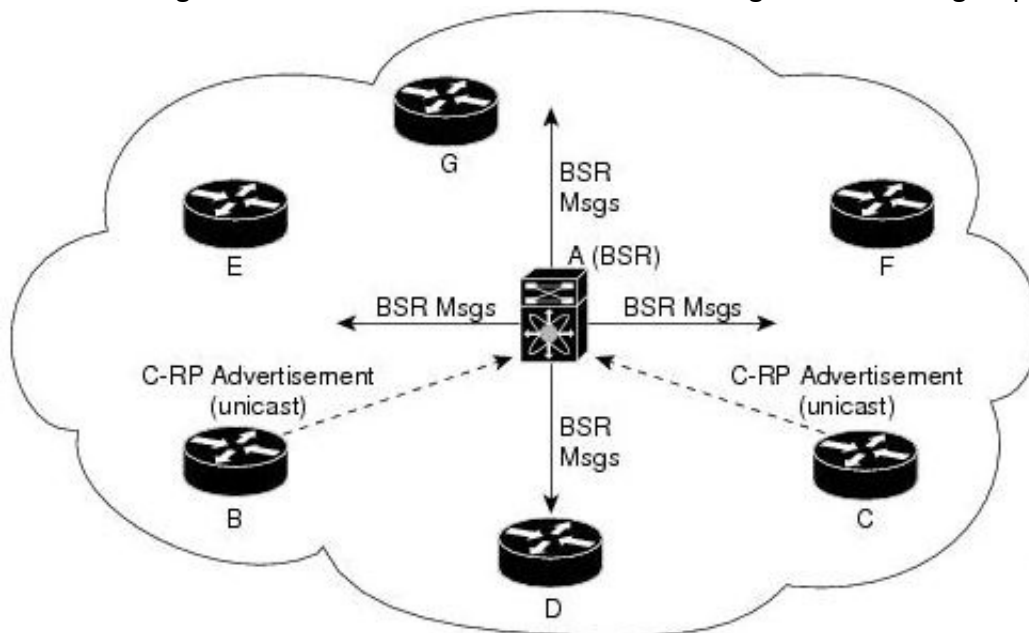
Berkeley Software Distribution (BSD)

**BSR**

The bootstrap router (BSR) ensures that all routers in the PIM domain have the same RP cache as the BSR. You can configure the BSR to help you select an RP set from BSR candidate RPs. The function of the BSR is to broadcast the RP set to all routers in the domain. You select one or more candidate BSRs to manage the RPs in the domain. Only one candidate BSR is elected as the BSR for the domain.

This figure shows the BSR mechanism. Router A, the software-elected BSR, sends BSR messages out all enabled interfaces (shown by the solid lines in the figure). The messages, which contain the RP set, are flooded hop by hop to all routers in the network. Routers B and C are candidate RPs that send their candidate-RP advertisements directly to the elected BSR (shown by the dashed lines in the figure).

The elected BSR receives candidate-RP messages from all the candidate RPs in the domain. The bootstrap message sent by the BSR includes information about all of the candidate RPs. Each router uses a common algorithm to select the same RP address for a given multicast group.

**CA**

Certificate Authorization (CA)

**CBP**

Customer Backbone Port (CBP)

**CBS**

Committed burst size (CBS). During periods of average traffic rates below the Committed information rate (CIR), any unused bandwidth capacity accumulates up to a maximum amount defined by the CBS. Short periods of bursting traffic (back-to-back traffic at averages rates that exceed the CIR) are also categorized as green provided that unused bandwidth capacity is available.

---

**CEP**

Customer Edge Port (CEP). The Customer Edge Port (CEP) and each Provider Edge Port are treated as separate Bridge Ports by the spanning tree protocol. If the C-VLAN component connects to the S-VLAN component with a single Provider Edge Port, and the associated service instance supports no more than two customer interfaces, then all frames (including Spanning Tree BPDUs) addressed to the Bridge Group Address may be relayed between the two Ports of the C-VLAN component without modification. Otherwise, the Spanning Tree Protocol Entity shall execute the Rapid Spanning Tree Protocol (RSTP, Clause 17 of IEEE Std 802.1D), as modified by the provisions of this subclause.

**CFI**

Canonical Format Identifier (CFI). If Drop Eligible Indicator (DEI) bit is enabled in 802.1ad header or has Canonical Format Identifier (CFI) bit enabled in 802.1q header on an arriving packet, such packets will be dropped using QoS.

**MS-CHAP**

CHAP stands for Challenge Handshake Authentication Protocol. MS-CHAP is the Microsoft version of the Challenge-Handshake Authentication Protocol, CHAP. The protocol exists in two versions, MS-CHAPv1 (defined in RFC 2433) and MS-CHAPv2 (defined in RFC 2759). MS-CHAPv2 provides mutual authentication between peers by piggybacking a peer challenge on the Response packet and an authenticator response on the Success packet.

**CIDR**

Classless Inter Domain Routing (CIDR).

**CIR**

Committed information rate (CIR) is defines the guaranteed bandwidth for traffic arriving at or departing from the interface under normal line conditions.

**CIST**

The Common and Internal Spanning Tree (CIST) is a collection of the ISTs in each MST region.

**CLI**

Command line interface (CLI) is a text-based interface that is used to operate software and operating systems while allowing the user to respond to visual prompts by typing single commands into the interface and receiving a reply in the same way

**CLKIWF**

CLKIWF is short for Clock InterWorking Function.

**CoS**

Output queue scheduling defines the class-of-service (CoS) properties of output queues. Based on certain types of traffic are preferred. The level of service is determined by the egress port queue to which the traffic is assigned. When traffic is queued for transmission, the rate at which it is serviced depends on how the queue is configured and possibly the amount of traffic present in other queues for that port.

Some traffic is classified for service (i.e., packet marking) before it arrives at the switch. If you decide to use these classifications, you can map this traffic to egress queues by setting the CoS in the Queue table.

---

**CPLD**

A Complex Programmable logic device (CPLD) is a logic device with completely programmable AND/OR arrays and macrocells. Macrocells are the main building blocks of a CPLD, which contain complex logic operations and logic for implementing disjunctive normal form expressions. AND/OR arrays are completely reprogrammable and responsible for performing various logic functions.

**CPU**

The central processing unit (CPU) is the primary component of a computer that processes instructions. It runs the operating system and applications, constantly receiving input from the user or active software programs. It processes the data and produces output.

**CRT**

CRT stands for "Internet security certificate.

**CSR**

Certificate Signing Request (CSR)

**CST**

common spanning tree (CST); The common spanning tree (CST) that interconnects the MST regions and single spanning trees

**CTS**

CTS stands for Clear to Send. Request to Send (RTS)/CTS Flow Control is another flow control mechanism that is part of the RS232 standard.

**CVID**

The C-VID registration table is as follows:

**Table 1:** C-VID registration table

<b>C-VID Registration Table</b>	<b>Description</b>
Cvid value	The value of the Customer VLAN id on the Customer edge port. (Table key)
Svid Value	The S-VLAN tag. Auto creates an S-VLAN component and the CNP and PNP and links the PEP of the C-VLAN component to the CNP.
Untagged-pep	A boolean indicating frames for this C-VLAN should be forwarded untagged through the Provider Edge Port (PEP).
Untagged-cep	A boolean indicating frames for this C-VLAN should be forwarded untagged through the Customer Edge Port (CEP).

**CVLAN**

Set of ports & inner VLANs (CVLAN); or C-VLAN or Customer Bridge (CB)

**DB9**

DB9 refers to a common connector type from the D-Subminiatures (D-Sub) connector family, which when introduced, was among the smallest connectors used on computer systems. DB9 houses 9 pins (for the male connector) or 9 holes (for the female connector). DB9 connectors were once very

---

common on PCs and servers. Today, the DB9 has mostly been replaced by more modern interfaces such as USB, PS/2, Firewire, and others.

**DB25**

The DB25 connector is an analog socket, with 25 pins, from the D-Subminiatures (D-Sub) connector family. The prefix “D” represents the D-shape of the connector shell. The DB25 connector is mainly used in serial and parallel ports, allowing asynchronous data transmission according to the RS-232 standard (RS-232C).

**DCD**

DCD stands Data Carrier Detect. The description is modem connected to another.

**DEC**

Digital Equipment Corporation (DEC)

**DEI**

Drop Eligible Indicator (DEI). If DEI bit is enabled in 802.1ad header or has Canonical Format Identifier (CFI) bit enabled in 802.1q header on an arriving packet, such packets will be dropped using QoS.

**DES**

The Advanced Encryption Standard (AES) is a symmetric-key block cipher algorithm and U.S. government standard for secure and classified data encryption and decryption.

**DF**

Designated Forwarder (DF).

**DH**

Diffie and Hellman (*DH*) describe a method for two parties to agree upon a shared secret number, called *ZZ*, in such a way that the secret will be unavailable to eavesdroppers. This method requires that both the sender and recipient of a message have key pairs (private and public). By combining one's private key and the other party's public key, both parties can compute the same shared secret number *ZZ*.

**DHCP**

Dynamic Host Configuration Protocol (DHCP)

**DITA**

Darwin Information Typing Architecture (DITA); the DITA specification defines a set of document types for authoring and organizing topic-oriented information, as well as a set of mechanisms for combining, extending, and constraining document types.

**D-LAG**

Distributed Link Aggregation (D-LAG or DLAG)

**DLF**

The Destination Lookup Failure (DLF). When a packet arrives at the device and the device doesn't have an entry for the destination MAC address in its MAC address table, the packet is classified as a Destination Lookup Failure (DLF)

**DM**

DM stands for Dense Mode. Protocol-Independent Multicast Dense Mode (PIM-DM) uses dense multicast routing.

## DNAT

Destination network address translation (DNAT) is a technique for transparently changing the destination IP address of an end route packet and performing the inverse function for any replies.

## DNS

Domain Name System

## DOT1Q

IEEE 802.1Q, often referred to as DOT1Q or 1Q, is the networking standard that supports virtual LANs (VLANs) on an IEEE 802.3 Ethernet network. It is the most widely used encapsulation method for VLAN tagging.

## Dot1x

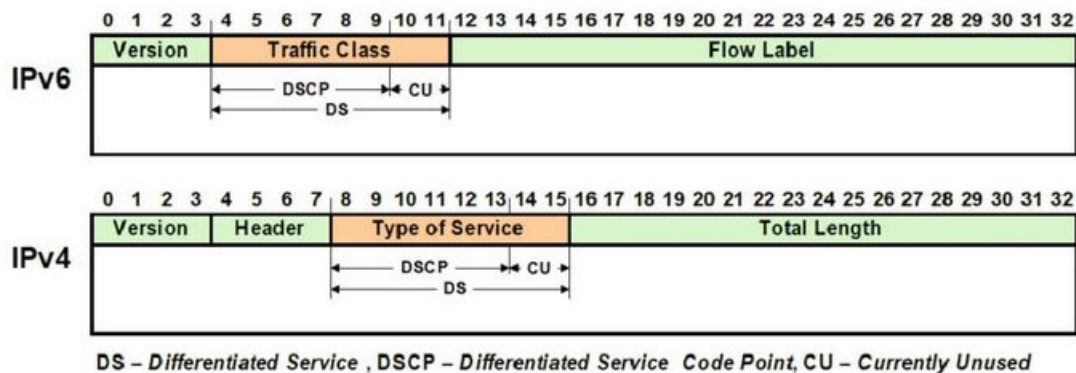
Dot1x Authentication is enabled when dot1x system-auth-control is enabled, and aaa authentication dot1x default is local. If you enable authentication on a port by using the default setting of dot1x port-control, which is force-authorized, it disables 802.1X authentication and causes the port to transition to the authorized state without any authentication exchange required. The port transmits and receives normal traffic without 802.1X-based authentication of the client

## DR

The Designated Router (DR) is the router that will forward the PIM join message from the receiver to the RP (rendezvous point).

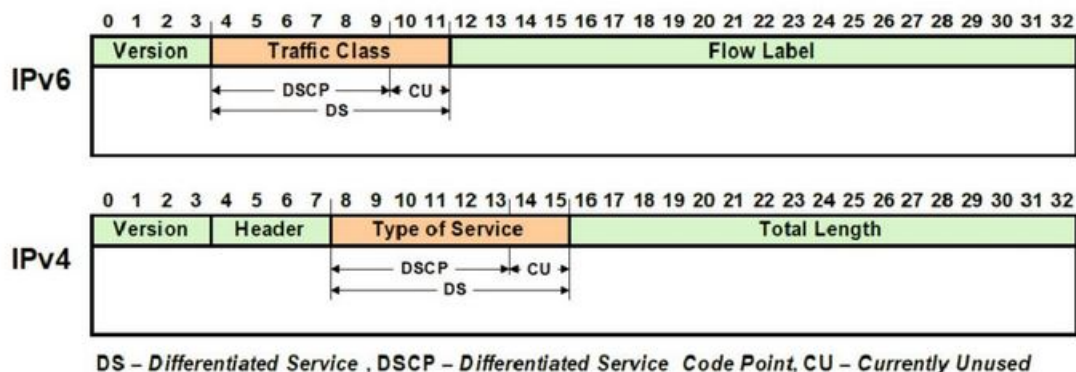
## DS

Differentiated Services (DS).



## DSCP

A Differentiated Services Code Point (DSCP) is a packet header value that can be used to request (for example) high priority or best effort delivery for traffic.



---

**DSR**

DSR stands Data Set Ready. The description is ready to communicate.

**DST**

Daylight Saving Time (DST) is a system of setting clocks ahead so that both sunrise and sunset occur at a later hour. The effect is additional daylight in the evening. Many countries observe DST, although most have their own rules and regulations for when it begins and ends. The dates of DST may change from year to year

**DTR**

DTR stands Data Terminal Ready. The description is ready to communicate.

**DUT**

Device under Test (DUT)

**DVMRP**

Distance Vector Multicast Routing Protocol (DVMRP)

**E2E**

End-to-end (E2E) transparent clock for Precision Time Protocol (PTP). With an E2Etransparent clock, only the residence time is included in the timestamp in the packet.

**EAP**

Extensible Authentication Protocol (EAP) is an authentication framework frequently used in network and Internet connections. EAP is usually tunnelled over RADIUS between the Authenticator and the Authentication Server. 802.1x uses EAP.

EAP is an authentication framework, not a specific authentication mechanism. Commonly used modern methods capable of operating in wireless networks include EAP-TLS, EAP-SIM, EAP-AKA, LEAP and EAP-TTLS. Requirements for EAP methods used in wireless LAN authentication are described in RFC 4017.

The Lightweight Extensible Authentication Protocol (LEAP) method was developed by Cisco Systems prior to the IEEE ratification of the 802.11i security standard.

**EAPoL**

Extensible Authentication Protocol (EAP) over LAN (EAPoL) is used between the Supplicant (software on your laptop) and the Authenticator (switch)

**EBGP**

External *BGP* (EBGP); EBGP runs between two BGP routers in different Autonomous System (AS).

**EBS**

The Excess Burst size (EBS) specifies how much data above the committed burst size (CBS) a user can transmit. The EBS is the size up to which the traffic is allowed to burst without being discarded. EBS allows for moderate periods of bursting traffic that exceeds both the committed information rate (CIR) and the committed burst size (CBS).

**ECN**

Explicit Congestion Notification (ECN)

**EGP**

Exterior Gateway Protocol (EGP) is a defunct routing protocol used in autonomous systems to exchange data between surrounding gateway sites. Border Gateway Protocol (BGP) supplanted EGP, widely utilized by research institutes, universities, government agencies, and commercial



---

companies (BGP). EGP is built on poll instructions to request update answers and periodic message exchange polling for neighbor reachability.

### **EIGRP**

Enhanced Interior Gateway Routing Protocol (EIGRP) is a network protocol that enables routers to exchange information more efficiently than earlier network protocols, such as Interior Gateway Routing Protocol (IGRP) or Border Gateway Protocol (BGP), and provides intelligent traffic sharing.

### **EIR**

The excess information rate (EIR) specifies the rate above the CIR (committed information rate) at which traffic is allowed into the network and that may get delivered if the network is not congested. The EIR has an additional parameter associated with it called the excess burst size (EBS). The EBS is the size up to which the traffic is allowed to burst without being discarded.

### **ESD**

ElectroStatic Discharge (ESD) is the sudden flow of electricity between two electrically charged objects caused by contact, an electrical short or dielectric breakdown. A buildup of static electricity can be caused by tribocharging or by electrostatic induction. The ESD occurs when differently-charged objects are brought close together or when the dielectric between them breaks down, often creating a visible spark.

### **EXEC**

*exec:* Protocol

Commands that are invoked using the *exec:* protocol must be executable as standalone commands. Commands that are built into a command interpreter or other program cannot be executed directly, but must be executed (if possible) within the context of the application that provides them. For example, the following seed URL would not work on Microsoft Windows systems because the *dir* command is built into the Windows command interpreter (*cmd.exe*):

*exec: dir e:\data*

To use the *exec* protocol with commands that are built into the Windows command interpreter, you must do something as the following:

*exec: cmd /c dir 'e:\data'*

### **ESP**

Encapsulation Security Protocol (ESP); the ESP protocol provides data confidentiality, and also optionally provides data origin authentication, data integrity checking, and replay protection. The difference between ESP and the Authentication Header (AH) protocol is that ESP provides encryption, while both protocols provide authentication, integrity checking, and replay protection. With ESP, both communicating systems use a shared key for encrypting and decrypting the data they exchange.

### **EVB**

Edge Virtual Bridge (EVB) is an IEEE standard that involves the interaction between virtual switching environments in a hypervisor and the first layer of the physical switching infrastructure. The EVB enhancements are following 2 different paths – 802.1qbg and 802.1qbh.

### **EVC**

Ethernet Virtual Connection (EVC).

### **FCS**

A frame check sequence (FCS) is an error-detecting code added to a frame in a communication protocol. Frames are used to send payload data from a source to a destination.

---

**FDB**

Forwarding Database (FDB)

**FID**

Filtering ID (FID)

**FHRP**

First Hop Redundancy Protocol (FHRP)

**FPGA**

The Field Programmable Gate Array (FPGA) is a programmable logic device that can have its internal configuration set by the firmware.

**FTP**

The File Transfer Protocol (FTP) is a standard communication protocol used for the transfer of computer files from a server to a client on a computer network. FTP is built on a client–server model architecture using separate control and data connections between the client and the server.[1] FTP users may authenticate themselves with a clear-text sign-in protocol, normally in the form of a username and password, but can connect anonymously if the server is configured to allow it. For secure transmission that protects the username and password, and encrypts the content, FTP is often secured with SSL/TLS (FTPS) or replaced with SSH File Transfer Protocol (SFTP).

**GARP**

GARP (Generic Attribute Registration Protocol) is a local area network (LAN) protocol that defines procedures by which end stations and switches can register and deregister attributes, such as network identifiers or addresses, with each other. Every end station and switch thus has a record, or list, of all the other end stations and switches that can be reached at any given time.

When an attribute for an end station or switch is registered or deregistered according to GARP, the set of reachable end stations and switches, called participants, is modified according to specific rules. The defined set of participants at any given time, along with their attributes, is a subset of the network topology called the reachability tree. Data frames are propagated only to registered end stations. This prevents attempts to send data to end stations that are not reachable.

**GGP**

Gateway-to-Gateway Protocol (GGP) is an obsolete protocol defined for routing datagrams between Internet gateways. It was first outlined in 1982. The GGP was designed as an IP datagram service similar to the TCP and the UDP.

**GMRP**

GARP Multicast Registration Protocol (GMRP) is a Generic Attribute Registration Protocol (GARP) application that provides a constrained multicast flooding facility similar to IGMP snooping.

**GND**

Ground

**GPS**

Global Positioning System

**GR**

Graceful Restart (GR)

**GRE**

Generic routing encapsulation (GRE) is an IP encapsulation protocol which is used to transport IP packets over a network. In GRE, an IP datagram is tunnelled (encapsulated) within another IP data-

---

gram. One great advantage of GRE is that it allows routing of IP packets between private IPv4 networks which are separated over public IPv4 Internet. GRE also supports encapsulating IPv4 broadcast and multicast traffic.

### **GVRP**

GVRP (GARP VLAN Registration Protocol or Generic VLAN Registration Protocol) is a protocol that facilitates control of virtual local area networks (VLANs) within a larger network. GVRP conforms to the IEEE 802.1Q specification, which defines a method of tagging frames with VLAN configuration data

### **HA**

High Availability (HA)

### **HDMI**

HDMI (High-Definition Multimedia Interface) is digital interface capable of transmitting high-quality and high-bandwidth streams of audio and video between devices

### **HOL**

Head-Of-Line (HOL) blocking should be prevented on a port. HOL blocking happens when HOL packet of a buffer cannot be switched to an output port (i.e. HOL occurs when a line of packets is held up by the first packet).

### **HSR**

High-availability Seamless Redundancy (HSR) is a network protocol for Ethernet that provides seamless failover against failure of any single network component. PRP and HSR are standardized by the IEC 62439 and are suited for applications that request high availability and no switchover time.

### **HTTP**

Hyper Text Transfer Protocol (HTTP)

### **HTTPS**

Hyper Text Transfer Protocol Secure (HTTPS)

### **IANA**

Internet Assigned Numbers Authority (IANA)

### **IBGP**

Internal BGP (iBGP) is the protocol used between the routers in the same autonomous system (AS). iBGP is used to provide information to your internal routers. iBGP requires all the devices in same AS to form full mesh neighborhood or either of Route reflectors and Confederation for prefix learning.

### **ICMP**

Internet Control Message Protocol

### **IDPR**

Inter-domain Routing Protocol (IDPR). The objective of IDPR is to construct and maintain routes, between source and destination administrative domains, that provide user traffic with the requested services within the constraints stipulated for the domains transited.

### **IETF**

Internet Engineering Task Force (IETF) is an open standards organization, which develops and promotes voluntary Internet standards, in particular the technical standards that comprise the Internet protocol suite (TCP/IP).

---

## **IGMP**

The Internet Group Management Protocol (IGMP) is a communications protocol used by hosts and adjacent routers on IPv4 networks to establish multicast group memberships. IGMP is an integral part of IP multicast and allows the network to direct multicast transmissions only to hosts that have requested them.

## **IGP**

Interior Gateway Protocol (IGP) is a type of routing protocol used for exchanging routing table information between gateways (commonly routers) within an autonomous system (for example, a system of corporate local area networks). This routing information can then be used to route network-layer protocols like IP.

## **IGRP**

Interior Gateway Routing Protocol (IGRP) is a proprietary distance vector routing protocol that manages the flow of routing information within connected routers in the host network or autonomous system. The protocol ensures that every router has routing tables updated with the best available path. IGRP also avoids routing loops by updating itself with the changes occurring over the network and by error management.

## **IGS**

The Internet Group Management Protocol (IGMP) Snooping (IGS) is designed to prevent hosts on a local network from receiving traffic for a multicast group they have not explicitly joined. It provides switches with a mechanism to prune multicast traffic from links that do not contain a multicast listener (an IGMP client). Essentially, IGS is a layer 2 optimization for the Layer 3 IGMP.

## **IKE**

Internet Key Exchange (IKE)

## **IP**

Internet Protocol (IP).

## **IPSec**

IPSec (Internet Protocol Security) is a suite of protocols that provides security to Internet communications at the IP layer. The most common current use of IPSec is to provide a Virtual Private Network (VPN), either between two locations (gateway-to-gateway) or between a remote user and an enterprise network (host-to-gateway); it can also provide end-to-end, or host-to-host, security.

## **IPv4**

IPv4 and IPv6 are Internet protocol version 4 and Internet protocol version 6. IPv4 supports:

- IPv4 has a 32-bit address length
- IPv4 binary bits are separated by a dot(.) whereas IPv6 binary bits are separated by a colon(:).
- IPv4 is a numeric addressing method whereas IPv6 is an alphanumeric addressing method
- It Supports Manual and DHCP address configuration
- In IPv4 end to end, connection integrity is Unachievable
- It can generate  $4.29 \times 10^9$  address space
- Fragmentation performed by Sender and forwarding routers
- In IPv4 Packet flow identification is not available
- In IPv4 checksum field is available
- It has broadcast Message Transmission Scheme

- 
- In IPv4 Encryption and Authentication facility not provided
  - IPv4 has a header of 20-60 bytes.

### **IPv6**

IPv6 stands for Internet protocol version 6. An IPv6 address consists of eight groups of four hexadecimal digits. An example of IPv6 address is as follows

3001:0da8:75a3:0000:0000:8a2e:0370:7334

there are different types of IPv6 addresses:

- Unicast addresses—it identifies a unique node on a network and usually refers to a single sender or a single receiver.
- Multicast addresses—it represents a group of IP devices and can only be used as the destination of a datagram.
- Anycast addresses—it is assigned to a set of interfaces that typically belong to different nodes.

### **IRDP**

ICMP Router Discovery Protocol (IRDP) allows hosts to locate routers that can be used as a gateway to reach IP-based devices on other networks. When the device running IRDP operates as a router, router discovery packets are generated. When the device running IRDP operates as a host, router discovery packets are received. ICMP stands for Internet Control Message Protocol.

### **IRTP**

Internet Reliable Transaction Protocol (IRTP) is a transport level host to host protocol designed for an Internet environment. It provides reliable, sequenced delivery of packets of data between hosts and multiplexes / demultiplexes streams of packets from/to user processes representing ports.

### **ISAKMP**

Internet Security Association and Key Management Protocol (ISAKMP)

### **ISDN**

Integrated Services Digital Network (ISDN)

### **ISL**

ISL stands for Inter-Switch Link which is one of the VLAN protocols. The ISL is proprietary of Cisco and is used only between Cisco switches. It operates in a point-to-point VLAN environment and supports up to 1000 VLANs and can be used over Fast Ethernet and Gigabit Ethernet links only.

### **ISP**

Internet service provider (ISP)

### **ISS**

Intelligent Switch Solution (ISS).

### **IST**

The Internal Spanning Tree (IST) instance receives and sends BPDUs to the CST. The IST can represent the entire MST region as a CST virtual bridge to the outside world.

### **IVL**

Independent VLAN Learning (IVL)

### **IVR**

Inter VLAN Routing (IVR)

---

**IWF**

InterWorking Function (IWF).

**KDF**

Key Derivation Functions (KDFs); TCP-AO's Traffic\_Keys are derived using KDFs. As per RFC5926, when invoked, a KDF generates a string of length Output\_Length bit based on the Master\_Key and context value. This result may then be used as a cryptographic key for any algorithm that takes anOutput\_Length length key. A KDF MAY specify a maximum Output\_Length parameter.

**L2GP**

Layer 2 Gateway Port (L2GP)

**LA**

Link Aggregation

**LACP**

Link Aggregation Control Protocol

**LAG**

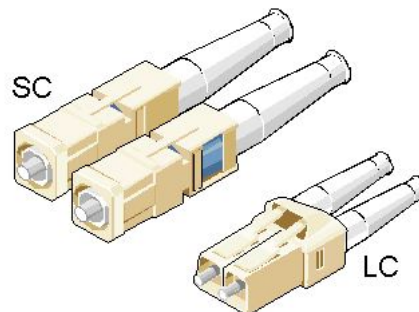
Link Aggregation Group

**LAN**

Local Area Network

**LC**

LC (Lucent Connector) is a miniaturized version of the fiber-optic SC (Standard Connector) connector. It looks somewhat like the SC, but is half the size with a 1.25mm ferrule instead of 2.5mm.



**SC and LC Connectors**

**LED**

Light-emitting diode (LED) is a widely used standard source of light in electrical equipment.

**LLDP**

Link Layer Discovery Protocol (LLDP)

**LM**

Line Module (LM)

**LSA**

Link State Advertisement (LSA)

---

**LSDB**

link state database (LSDB)

**LSR**

Link State Routing (LSR)

**MAC**

Media access control (MAC) is a sublayer of the data link layer in the seven-layer OSI network reference model. MAC is responsible for the transmission of data packets to and from the network-interface card, and to and from another remotely shared channel.

**MAU**

Medium Attachment Unit (MAU)

**MD5**

Message Digest Algorithm 5 (MD5) is a cryptographic hash algorithm that can be used to create a 128-bit string value from an arbitrary length string.

A hash function provides encryption using an algorithm and no key. A variable-length plaintext is “hashed” into a (typically) fixed-length hash value (often called a “message digest” or simply a “hash”). Hash functions are primarily used to provide integrity; if the hash of a plaintext changes, the plaintext itself has changed.

Common older hash functions include Secure Hash Algorithm 1 (SHA-1), which creates a 160-bit hash and Message Digest 5 (MD5), which creates a 128-bit hash.

Although there has been insecurities identified with MD5, it is still widely used, and its most common use is to verify the integrity of files.

**MDI**

Media Independent Interface (MDI) and Media Independent Interface with Crossover (MDIX) are basically ports on a computer and a network switch, router, or hub, respectively.

**MDIX**

Media Independent Interface with Crossover (MDIX) and Media Independent Interface (MDI) are basically ports on a computer and a network switch, router, or hub, respectively.

**MED**

- 1) Media Endpoint Discovery (MED); LLDP does not contain the capability of negotiating additional information such as PoE management and VLAN assignments. This capability was added as an enhancement known as Media Endpoint Discovery or MED, resulting in the enhanced protocol LLDP-MED. The MED enhancement has been standardized by the Telecommunications Industry Association in standard number ANSI/TIA-1057.
- 2) Multi Exit Discriminator (MED) for routes received from different autonomous systems; MED is one of the parameters considered for selecting the best path among many alternative paths. The path with a lower MED is preferred over a path with a higher MED.

**MHRP**

Multipath Hybrid Routing Protocol (MHRP) is a multipath routing protocol for hybrid Wireless Mesh Network (WMN), which provides security and uses technique to find alternate path in case of route failure.

**MIB**

Management Information Base (MIB) is the hierarchical database used by the simple network management protocol (SNMP) to describe the particular device being monitored.

---

**MIB OID**

Management Information Base (MIB) is the hierarchical database used by the simple network management protocol (SNMP) to describe the particular device being monitored.

MIB Object Identifier (OID), as known as a MIB object identifier in the SNMP, is a number assigned to devices in a network for identification purposes. OID numbering is hierarchical. Using the IETF notation of digits and dots, resembling very long IP addresses, various registries such as ANSI assign high-level numbers to vendors and organizations. They, in turn, append digits to the number to identify individual devices or software processes.

**MIC**

Media redundancy Interconnection Client (MIC) is a member node of a MRP Interconnect ring.

**MIM**

Media redundancy Interconnection Manager (MIM) is a node in a MRP Interconnect ring which acts a redundancy manager.

**MLDS**

Multicast Listener Discovery Snooping (MLDS) constrains the flooding of IPv6 multicast traffic on VLANs. When MLDS is enabled on a VLAN, a device examines MLD messages between hosts and multicast routers and learns which hosts are interested in receiving traffic for a multicast group. On the basis of what it learns, the device then forwards multicast traffic only to those interfaces in the VLAN that are connected to interested receivers instead of flooding the traffic to all interfaces.

**MKT**

Master Key Tuple (MKT). TCP-AO uses cryptographic algorithms to convert MKTs, which can be shared across connections, into unique traffic keys for each connection.

**MM**

MultiMode (MM) Mode is in optical fiber with a larger core than singlemode fiber. Typically, MM has a core diameter of 50 or 62.5  $\mu\text{m}$  and a cladding diameter of 125  $\mu\text{m}$ .

**MIC**

Media redundancy Interconnection Client (MIC) is a member node of a MRP Interconnect ring.

**MPLS**

Multiprotocol Label Switching (MPLS) is a routing technique in telecommunications networks that directs data from one node to the next based on short path labels rather than long network addresses, thus avoiding complex lookups in a routing table and speeding traffic flows. The labels identify virtual links (paths) between distant nodes rather than endpoints. MPLS can encapsulate packets of various network protocols, hence the "multiprotocol" reference on its name.

**MRA**

Media Redundancy Automanager (MRA). To configure a Media Redundancy Automanager (MRA), the node or nodes elect an MRM by a configured priority value.

**MRC**

Media Redundancy Client (MRC) is a member node of a MRP ring.

**MRM**

Media Redundancy Manager (MRM) is a node in the network which acts a redundancy manager.

**MRP**

Media Redundancy Protocol (MRP) is a networking protocol designed to implement redundancy and recovery in a ring topology.



---

**MSR**

- 1) MSR (MIB Save and Restore).
- 2) Model-Specific Register (*MSR*)

**MST**

MST (Multiple Spanning Tree) is the version of STP that allows multiple VLANs to a single instance. It is the standard based protocol defined with IEEE 802.1s. Unlike other spanning tree protocols, in which all the spanning tree instances are independent, MST establishes and maintains IST, CIST, and CST spanning trees.

**MSTI**

Multiple spanning trees, called MSTIs; inside an MST region, multiple spanning trees, called MSTIs, are calculated. Among these MSTIs, MSTI 0 is the IST.

**MSTP**

Multiple Spanning-Tree Protocol

**MTU**

Maximum Transmission Unit (MTU)

**MVLAN**

Multicast VLANs (MVLAN)

**NAP**

Network Access Protection (NAP)

**NAPT**

Network address port translation (NAPT) is a variation of the traditional *NAT*. NAPT extends the notion of translation one step further by also translating transport identifiers (e.g., TCP and UDP port numbers, ICMP query identifiers).

**NAS**

The Network Access Server (NAS) is the front line of authentication – it's the first server that fields network authentication requests before they pass through to the RADIUS. The NAS Identifier (NAS-ID) is a feature that allows the RADIUS server to confirm information about the sender of the authentication request.

**NAT**

Network address translation (NAT) is a method of mapping an IP address space into another by modifying network address information in the IP header of packets while they are in transit across a traffic routing device.

**NBMA**

NBMA (Non Broadcast Multi Access)

**NBNS**

NetBIOS Name Server where NetBIOS stands for Network Basic Input / Output System.

**NC**

NC (normally closed) is a closed (short) circuit creating a path for the current.

**ND**

Neighbor Discovery (ND); the Virtual Router Redundancy Protocol (*VRRP*) for IPv6 provides a much faster switchover to an alternate default router than can be obtained using standard neighbor discovery (ND) procedures.

---

**NETBIOS**

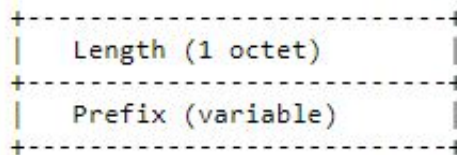
Network Basic Input / Output System (NETBIOS)

**NIP**

This set of fields are a vector of N IP unicast addresses, where the value N corresponds to the Number or Sources (N) field.

**NLRI**

Network Layer Reachability Information (NLRI). The Network Layer Reachability information is encoded as one or more 2-tuples of the form <length, prefix>, whose fields are described below.

**NMS**

Network Management System (NMS)

**NO**

NO (normally open) is an open circuit not creating a path for the current.

**NPS**

Network Policy Server (NPS)

**NSSA**

Not-so-stubby Area (NSSA)

**NTP**

Network Time Protocol (NTP)

**NVP**

Network Voice Protocol (NVP) was a pioneering computer network protocol for transporting human speech over packetized communications networks. It was an early example of Voice over Internet Protocol technology.

**NVRAM**

Non-volatile random-access memory (NVRAM) is random-access memory that retains data without applied power. This is in contrast to dynamic random-access memory (DRAM) and static random-access memory (SRAM), which both maintain data only for as long as power is applied, or such forms of memory as magnetic tape, which cannot be randomly accessed but which retains data indefinitely without electric power.

**OID**

Object Identifier

**ORF**

Outbound Route Filter (ORF); the BGP Prefix-Based ORF feature uses BGP ORF send and receive capabilities for minimizing the number of BGP updates that are sent between BGP peers. Configuring this feature can help reduce the amount of system resources required for generating and processing routing updates by filtering out unwanted routing updates at the source.

**OSPF**

Open Shortest Path First routing protocol

---

**OUI**

organization unique identifiers (OUI)s. LLDP enables defining optional *TLV* units by using organization unique identifiers (OUIs) or organizationally-specific *TLVs*. An OUI identifies the category for a *TLV* unit depending on whether the OUI follows the IEEE 802.1 or IEEE 802.3 standard.

**P2P**

Peer-to-peer (P2P) transparent clock for Precision Time Protocol (PTP).

**PAE**

Port Access Entity (PAE). 802.1X-2001 defines two logical port entities for an authenticated port—the "controlled port" and the "uncontrolled port". The controlled port is manipulated by the 802.1X PAE (Port Access Entity) to allow (in the authorized state) or prevent (in the unauthorized state) network traffic ingress and egress to/from the controlled port. The uncontrolled port is used by the 802.1X PAE to transmit and receive EAPOL frames.

**PAP**

Password Authentication Protocol (PAP) is a password-based authentication protocol used by Point to Point Protocol (PPP) to validate users. PAP stops working after establishing the authentication; thus, it can lead to attacks on the network.

**PBB**

Provider backbone bridging (PBB) extends Layer 2 Ethernet switching to provide enhanced scalability, quality-of-service (QoS) features, and carrier-class reliability.

**PC**

Personal Computer

**PCB**

Provider Core Bridge (PCB) or S-VLAN Bridge; PCB integrates only one S-VLAN component. It is capable of providing single service on a port.

**PDU**

A Protocol Data Unit (PDU) is a single unit of information transmitted among peer entities of a computer network. A PDU is composed of protocol-specific control information and user data.

**P/E**

Program/Erase (P/E). Writing a byte to flash memory involves two steps: Program and Erase (P/E). P/E cycles can serve as a criterion for quantifying the endurance of a flash storage device.

**PEB**

Provider Edge Bridge (PEB); Provider Edge Bridge integrates one S-VLAN component with zero or many C-VLAN components as well as integrates each C-VLAN (up to 4094 C-VLANs) individually with a different S-VLAN (up to 4094 S-VLANs).

**PEM**

PEM (originally "Privacy Enhanced Mail") is the most common format for X.509 certificates, CSRs, and cryptographic keys. A PEM file is a text file containing one or more items in Base64 ASCII encoding, each with plain-text headers and footers (e.g. -----BEGIN CERTIFICATE----- and -----END CERTIFICATE-----). A single PEM file could contain an end-entity certificate, a private key, or multiple certificates forming a complete chain of trust. Most certificate files downloaded from SSL.com will be in PEM format

---

**PEP**

Provider Edge Port (PEP). The Customer Edge Port and each Provider Edge Port are treated as separate Bridge Ports by the spanning tree protocol. If the C-VLAN component connects to the S-VLAN component with a single Provider Edge Port, and the associated service instance supports no more than two customer interfaces, then all frames (including Spanning Tree BPDUs) addressed to the Bridge Group Address may be relayed between the two Ports of the C-VLAN component without modification. Otherwise, the Spanning Tree Protocol Entity shall execute the Rapid Spanning Tree Protocol (RSTP, Clause 17 of IEEE Std 802.1D), as modified by the provisions of this subclause.

**PFS**

Perfect Forward Secrecy (PFS) means that a piece of an encryption system automatically and frequently changes the keys it uses to encrypt and decrypt information, such that if the latest key is compromised, it exposes only a small portion of the user's sensitive data.

If PFS is specified in the IPsec policy, a new Diffie-Hellman exchange is performed with each quick mode, providing keying material that has greater entropy (key material life) and thereby greater resistance to cryptographic attacks. Each Diffie-Hellman exchange requires large exponentiations, thereby increasing CPU use and exacting a performance cost.

**PHB**

PHB (Per Hop Behavior) is a term used in differentiated services (DiffServ) or multiprotocol label switching (MPLS). It defines the policy and priority applied to a packet when traversing a hop (such as a router) in a DiffServ network.

**PHY**

A PHY, an abbreviation for "physical layer", is an electronic circuit, usually implemented as an integrated circuit, required to implement physical layer functions of the OSI model in a network interface controller. A PHY connects a link layer device (often called MAC as an acronym for medium access control) to a physical medium such as an optical fiber or copper cable. A PHY device typically includes both physical coding sublayer (PCS) and physical medium dependent (PMD) layer functionality. PHY may also be used as a suffix to form a short name referencing a specific physical layer protocol, for example M-PHY.

**PIM**

Protocol-Independent Multicast (PIM) is a family of multicast routing protocols for Internet Protocol (IP) networks that provide one-to-many and many-to-many distribution of data over a LAN, WAN or the Internet. It is termed protocol-independent because PIM does not include its own topology discovery mechanism, but instead uses routing information supplied by other routing protocols. PIM is not dependent on a specific unicast routing protocol; it can make use of any unicast routing protocol in use on the network. PIM does not build its own routing tables. PIM uses the unicast routing table for reverse-path forwarding.

There are four variants of PIM:

- PIM Sparse Mode (PIM-SM) explicitly builds unidirectional shared trees rooted at a rendezvous point (RP) per group, and optionally creates shortest-path trees per source. PIM-SM generally scales fairly well for wide-area usage.
- PIM Dense Mode (PIM-DM) uses dense multicast routing. It implicitly builds shortest-path trees by flooding multicast traffic domain wide, and then pruning back branches of the tree where no receivers are present. PIM-DM is straightforward to implement but generally has poor scaling prop-

---

erties. The first multicast routing protocol, DVMRP used dense-mode multicast routing. See the PIM Internet Standard RFC 3973.

- Bidirectional PIM (Bidir-PIM) explicitly builds shared bi-directional trees. It never builds a shortest path tree, so may have longer end-to-end delays than PIM-SM, but scales well because it needs no source-specific state. See Bidirectional PIM Internet Standard RFC 5015, 70–73.
- PIM Source-Specific Multicast (PIM-SSM) builds trees that are rooted in just one source, offering a more secure and scalable model for a limited number of applications (mostly broadcasting of content). In SSM, an IP datagram is transmitted by a source *S* to an SSM destination address *G*, and receivers can receive this datagram by subscribing to channel (*S,G*). See informational RFC 3569

### **Bidirectional (Bidir) PIM**

Bidirectional PIM (Bidir-PIM) explicitly builds shared bi-directional trees. It never builds a shortest path tree, so may have longer end-to-end delays than PIM-SM, but scales well because it needs no source-specific state. See Bidirectional PIM Internet Standard RFC 5015, 70–73.

### **PIM-DM**

Protocol-Independent Multicast Dense Mode (PIM-DM) uses dense multicast routing. It implicitly builds shortest-path trees by flooding multicast traffic domain wide, and then pruning back branches of the tree where no receivers are present. PIM-DM is straightforward to implement but generally has poor scaling properties.

### **PIM-SM**

Protocol-Independent Multicast Sparse Mode (PIM-SM) explicitly builds unidirectional shared trees rooted at a rendezvous point (RP) per group, and optionally creates shortest-path trees per source. PIM-SM generally scales fairly well for wide-area usage.

### **PING**

Packet INternet Groper (PING or Ping)

### **PIP**

Provider Instance Port (PIP)

### **PIR**

Peak Information Rate (PIR) is a burstable rate set on routers and/or switches that allows throughput overhead. Related to committed information rate (CIR) which is a committed rate speed guaranteed/capped.

### **PMBR**

*PIM* Multicast Border Router (PMBR)

### **PMTU**

Path Maximum Transmission Unit (PMTU)

### **PNAC**

Port Based Network Access Control (PNAC), or 802.1X, authentication requires a client, an authenticator, and an authentication server. The client is a device that wants to connect to the network.

### **PNP**

Provider Network Ports (PNP)

---

**PoE**

Power over Ethernet (PoE) is distributing power over an Ethernet network. Because the power and signal are on the same cable, PoE enables remote network devices such as ceiling-mounted access points, surveillance cameras and LED lighting to be installed far away from AC power sources.

**PPP**

- Point-to-Point Protocol (PPP); The user or machine sends a request to a Network Access Server (NAS) to gain access to a particular network resource using access credentials. The credentials are passed to the NAS device via the data link layer (L2) protocol—for example, Point-to-Point Protocol (PPP) in the case of many dial up or DSL providers or posted in an HTTPS secure web form.
- Protocol Packet Processing (PPP)

**PPVID**

Port and Protocol *VLAN* ID (PPVID)

**PRP**

Parallel Redundancy Protocol (PRP) is a network protocol standard for Ethernet that provides seamless failover against failure of any network component. This redundancy is invisible to the application. PRP nodes have two ports and are attached to two separated networks of similar topology. This is in contrast to the companion standard HSR (IEC 62439-3 Clause 5), with which PRP shares the operating principle.

**PS**

Power Supply

**PTP**

Precision Timing Protocol

**PVID**

Port *VLAN* ID (PVID)

**PVLAN**

Private *VLAN* (PVLAN); Private *VLAN*, also known as port isolation, is a technique in computer networking where a *VLAN* contains switch ports that are restricted such that they can only communicate with a given uplink. The restricted ports are called private ports

**PVRST**

Per *VLAN* Rapid Spanning-Tree

**PVRSTP**

Per *VLAN* Rapid Spanning-Tree Protocol

**PW**

An Ethernet pseudowire (PW) is used to carry Ethernet/802.3 Protocol Data Units (PDUs) over an MPLS network. See RFC 4448 for details.

**Q-in-Q**

802.1Q tunneling (Q-in-Q) is a technique often used by Ethernet providers as a layer 2 VPN for customers. During 802.1Q (or dot1q) tunneling, the provider will put an 802.1Q tag on all the frames that it receives from a customer with a unique *VLAN* tag. By using a different *VLAN* tag for each customer we can separate the traffic from different customers and also transparently transfer it throughout the service provider network.

---

**QoS**

Quality of Service (QoS) refers to traffic prioritization and resource reservation control mechanisms rather than the achieved service quality. QoS defines the ability to provide different priorities to different applications, users, or data flows or the ability to guarantee a certain level of performance to a data flow.

**QRV**

Querier's Robustness Variable (QRV).

**RADIUS**

Remote Authentication Dial-In User Service

**RAM**

Random-access memory (RAM) is a form of computer memory that can be read and changed in any order, and typically is used to store working data and machine code.

**RARP**

The Reverse Address Resolution Protocol (RARP) is an obsolete computer communication protocol used by a client computer to request its Internet Protocol (IPv4) address from a computer network, when all it has available is its link layer or hardware address, such as a MAC address.

**RBAC**

Role Based Authentication (RBAC)

**RED**

- 1) Random early detection (RED) is where a single queue may have several different sets of queue thresholds.
- 2) Redundant interface (RED) or Red (e.g. RED 1 or RED 2).

**RFD**

A flapping route is an unstable route that is advertised and withdrawn over and over again. Every time a flap occurs, a BGP UPDATE message is sent. When routers have to process many BGP UPDATE messages, their CPU load increases.

BGP route dampening can be used to prevent installing flapping BGP routes and forwarding them to other BGP routers. This decreases the CPU load of routers and increases network stability. Nowadays, routers are powerful enough to process BGP updates so dampening isn't considered a best practice anymore

RFP has 5 attributes - the default values are shown

- Penalty
- Suppress-Limit - 2000
- Half-Life - 900 secs
- Reuse limit - 750
- Maximum Suppress-Limit -3600 secs (60 min)

When the route exceeds the suppress limit, the route is dampened. Once the route is dampened, the router won't install the route in the routing table nor advertise it to other BGP neighbor.

If for example the penalty is 4000 and the half-life time is 15 minutes. After 15 minutes the penalty will be 2000, after another 15 minutes, the penalty is 1000, and after another 15 minute, the penalty is 500. Once the penalty is below the reuse limit of 750, the route can be used again and

---

advertised to other BGP routers. When the penalty is below 50% of the reuse limit, the penalty is removed from the route.

The maximum suppress limit ensures that a route won't be dampened forever. The maximum suppress time is 3600 secs or 60 minutes by default.

#### **RFL**

Route Reflector Client (RFL); The route reflector allows all IBGP speakers within your autonomous network to learn about the available routes without introducing loops

#### **RIB**

Routing Information Base (RIB); Routing and routing functions in enterprise and carrier networks are typically performed by network devices (routers and switches) using an RIB. Protocols and configuration push data into the RIB and the RIB manager installs state into the hardware for packet forwarding.

#### **RIP**

**RIP** (Routing Information Protocol) sends routing-update messages at regular intervals and when the network topology changes. When a router receives a routing update that includes changes to an entry, it updates its routing table to reflect the new route. The metric value for the path is increased by 1, and the sender is indicated as the next hop. RIP routers maintain only the best route (the route with the lowest metric value) to a destination. After updating its routing table, the router immediately begins transmitting routing updates to inform other network routers about the change. These updates are sent independently of the regularly scheduled updates that RIP routers send. RIP uses a hop count as a way to determine network distance. Each host with a router in the network uses the routing table information to determine the next host to route a packet for a specified destination.

#### **RMON**

Remote network monitoring (RMON) is the process of monitoring network traffic on a remote Ethernet segment for detecting network issues such as dropped packets, network collisions, and traffic congestion

#### **RP**

Rendezvous point (RP)

#### **RPF**

RPF stands for Reverse Path Forwarding. PIM uses reverse-path forwarding (RPF) to prevent multicast routing loops by leveraging the unicast routing table on the virtual router. When the virtual router receives a multicast packet, it looks up the source of the multicast packet in its unicast routing table to see if the outgoing interface associated with that source IP address is the interface on which that packet arrived. If the interfaces match, the virtual router duplicates the packet and forwards it out the interfaces toward the multicast receivers in the group. If the interfaces don't match, the virtual router drops the packet. *This is called a RPF failure.*

#### **RPT**

Root Part Tree (RPT)

#### **RRD**

Route Redistribution (RRD)



---

## RSVP

Resource Reservation Protocol (RSVP) is a transport layer protocol designed to reserve resources across a network using the integrated services model. RSVP operates over an IPv4 or IPv6 and provides receiver-initiated setup of resource reservations for multicast or unicast data flows.

## RS-232

RS-232 is a short range connection between a single host and a single device (such as a PC to a modem) or another host (such as a PC to another PC). The standard uses a single TX line, a single RX line, numerous modem handshaking lines and a ground line with the option of DB9 and DB25 connectors. A minimal 3-wire RS-232 connection consists only the TX, RX, and ground lines, but if flow control is required a minimal 5-wire RS-232 is used adding the RTS and CTS lines. The RS-232 standard has been commonly used in computer serial ports and is still widely used in industrial communication devices.

## RS-422

RS-422 was meant as a replacement for RS-232 as it offered much higher speeds, better immunity to noise and allow for longer cable lengths making it better suited to industrial environments. The standard uses the same signals as the RS-232 standard, but used differential twisted pair so requires double the number of wires as RS-232. Connectors are not specified in the standard so block or DB connectors are commonly used. RS-422 cannot implement a true multi-point communications network since there can be only one driver on each pair of wires. However, one driver can fan-out to up to ten receivers.

## RS-485

RS-485 standard addresses some short coming of the RS-422 standard. The standard supports inexpensive local networks and multidrop communication links, using the same differential signalling over twisted pairs as RS-422. The main difference being that in RS-485 drivers use three-state logic allowing the individual transmitters to deactivate while not transmitting, while RS-422 the transmitter is always active therefore holding the differential lines. Up to 32 devices can be connected, but with repeaters a network with up to 256 devices can be achieved. RS-485 can be used in a full-duplex 4-wire mode or half-duplex 2-wire mode. With long wires and high baud-rates it is recommended that termination resistors are used at the far ends of the network for signal integrity

## RST

RST stands for reset. RST is one of the TCP flags.

TCP flags are various types of flag bits present in the TCP header. Each of them has its own significance. They initiate connections, carry data, and tear down connections. The commonly used TCP flags are SYN, ACK, RST, FIN, URG, PSH.

- SYN (synchronize): Packets that are used to initiate a connection.
- ACK (acknowledgment): Packets that are used to confirm that the data packets have been received, also used to confirm the initiation request and tear down requests.
- RST (reset): Signify the connection is down or maybe the service is not accepting the requests.
- FIN (finish): Indicate that the connection is being torn down. Both the sender and receiver send the FIN packets to gracefully terminate the connection.
- PSH (push): Indicate that the incoming data should be passed on directly to the application instead of getting buffered.
- URG (urgent): Indicate that the data that the packet is carrying should be processed immediately by the TCP stack.

---

**RSTP**

Rapid Spanning-Tree Protocol

**RT**

Route Target (RT) value; RT can be used to share routes among them. We can apply route targets to a VRF to control the import and export of routes among it and other VRFs. When you configure RT import, it imports all prefixes that match the configured RT value as one of the attributes in the BGP update. So in any-any VRF, it is common to see all PE configured with same RT value

**RTM**

Routing Table Manager (RTM). The RTM is the central repository of routing information for all routing protocols that operate under the routing and remote access service (RRAS). It provides routing information to all interested clients, such as routing protocols, management programs, and monitoring programs. The RTM also determines the best route to each destination network that is known to the routing protocols. The determination of this route is based on routing protocol priorities and on the metrics associated with the routes.

**RTS**

Request to Send (RTS)/CTS Flow Control is another flow control mechanism that is part of the RS232 standard.

**RX**

Receive

**SA**

Security Associations (SA). A SA is a relationship between two or more entities that describes how the entities will utilize security services to communicate securely. In endpoint-to-endpoint Transport Mode, both end points of the IP connection implement IPSec.

**SAN**

Singly attached nodes (SAN); singly attached nodes don't have the same redundancy as the doubly attached nodes since they still have just one connection that could fail.

**SEM**

State Event Machines (SEM)

**SFP**

SFP (Small Form-factor Pluggable) is a small transceiver that plugs into the SFP port of a network switch and connects to fibre channel and gigabit Ethernet (GbE) optical fiber cables at the other end. The SFP converts the serial electrical signals to serial optical signals and vice versa. SFP modules are hot swappable and contain ID and system information for the switch.

**SFTP**

SSH File Transfer Protocol (SFTP)

**SHA**

Secure Hash Algorithm is the name of a series of hash algorithms.

A hash function provides encryption using an algorithm and no key. A variable-length plaintext is "hashed" into a (typically) fixed-length hash value (often called a "message digest" or simply a "hash"). Hash functions are primarily used to provide integrity; the hash of a plaintext changes, the plaintext itself has changed.

Common older hash functions include Secure Hash Algorithm 1 (SHA-1), which creates a 160-bit hash and Message Digest 5 (MD5), which creates a 128-bit hash.

---

**SIP**

Session Initiation Protocol (SIP) is mostly well known for establishing voice and video calls over the Internet. To initiate such sessions, SIP uses simple request and response messages. For example, the INVITE request message is used to invite a user to begin a session and ACK confirms the user has received the request. The response code 180 (Ringing) means the user is being alerted of the call and 200 (OK) indicates the request was successful. Once a session has been established, BYE is used to end the communication.

**SISP**

Switch Instance Shared Port (SISP)

**SLA**

Service-level agreements (SLA).

**SLIP**

Serial Line Internet Protocol (SLIP); SLIP is the predecessor protocol of Point-to-Point Protocol (PPP). SLIP does not provide authentication, is a static IP addressing assignment, and data is transferred in synchronous form.

**SM**

State Machine

**SNAT**

Static Network Address Translation (SAT, SNAT) performs one-to-one translation of internal IP addresses to external ones.

**SNMP**

Simple Network Management Protocol

**SNTP**

Simple Network Time Protocol (SNTP)

**SPT**

Shortest path tree (SPT) is used for multicast transmission of packets with the shortest path from sender to recipients.

**SR**

State Refresh (SR) message. For a given (S,G) tree, SR messages will be originated by all routers that use an interface directly connected to the source as the RPF interface for the source. Ref: IETF "State Refresh in PIM-DM"

**SRM**

State Refresh Message (SRM). For a given (S,G) tree, SRM will be originated by all routers that use an interface directly connected to the source as the RPF interface for the source. Ref: IETF "State Refresh in PIM-DM"

**SSD**

SSD (Solid State Drive) is an all-electronic, non-volatile random access storage drive.

**SSH**

(Secure SHell) is a security protocol for logging into a remote server. SSH provides an encrypted session for transferring files and executing server programs on all platforms. Also serving as a secure client/server connection for applications such as database access and email, SSH supports a variety of authentication methods.

---

**SSL**

Secure Sockets Layer

**SSM**

Source-Specific Multicast (SSM)

**SST**

Single Spanning Tree (SST); SST is formed in either of the following situations:

- A switch running STP or RSTP belongs to only one spanning tree.
- An MST region has only one switch.

**STP**

Spanning Tree Protocol (STP) is a Layer 2 protocol that runs on bridges and switches. The specification for STP is IEEE 802.1D. The main purpose of STP is provide path redundancy while preventing undesirable loops in the network.

**SVL**

Shared VLAN Learning (SVL)

**S-VLAN**

Stacked VLAN (S-VLAN)

**TAC**

Taxonomy Access Control (TAC) allows the user administrator to control access to nodes indirectly by controlling which roles can access which categories.

**TACACS**

Terminal Access Controller Access-Control System

**TAI**

International Atomic Time (TAI); if the port is in the master state, the local clock is synchronized to an external source of time traceable to TAI (International Atomic Time) and UTC (Universal Coordinated Time) such as GPS (Global Positioning System) system.

**TB**

Token Bucket (TB). The TB algorithm is based on an analogy of a fixed capacity bucket into which tokens, normally representing a unit of bytes or a single packet of predetermined size, are added at a fixed rate. When a packet is to be checked for conformance to the defined limits, the bucket is inspected to see if it contains sufficient tokens at that time. If so, the appropriate number of tokens, e.g. equivalent to the length of the packet in bytes, are removed ("cached in"), and the packet is passed, e.g., for transmission. The packet does not conform if there are insufficient tokens in the bucket, and the contents of the bucket are not changed.

**TC**

TC (Topology Change); once the Root Bridge is aware of a change in the topology of the network, it sets the Topology Change (TC) flag on the sent BPDs.

**TCN**

TCN (Topology Change Notification), a kind of BPDU, is sent by bridges towards the root bridge to notify changes in the topology, such as port up or port down.

**TCP**

Transmission Control Protocol

---

**TCP-AO**

TCP-AO MKT (Transmission Control Protocol Authentication Option). TCP-AO uses cryptographic algorithms to convert MKTs, which can be shared across connections, into unique traffic keys for each connection.

**TCP-AO MKT**

TCP-AO MKT (Transmission Control Protocol Authentication Option Master Key Tuple). TCP-AO uses cryptographic algorithms to convert MKTs, which can be shared across connections, into unique traffic keys for each connection.

**TFTP**

Trivial File Transfer Protocol

**TLS**

Transport Layer Security (TLS), the successor of the now-deprecated Secure Sockets Layer (SSL), is a cryptographic protocol designed to provide communications security over a computer network.

**TLV**

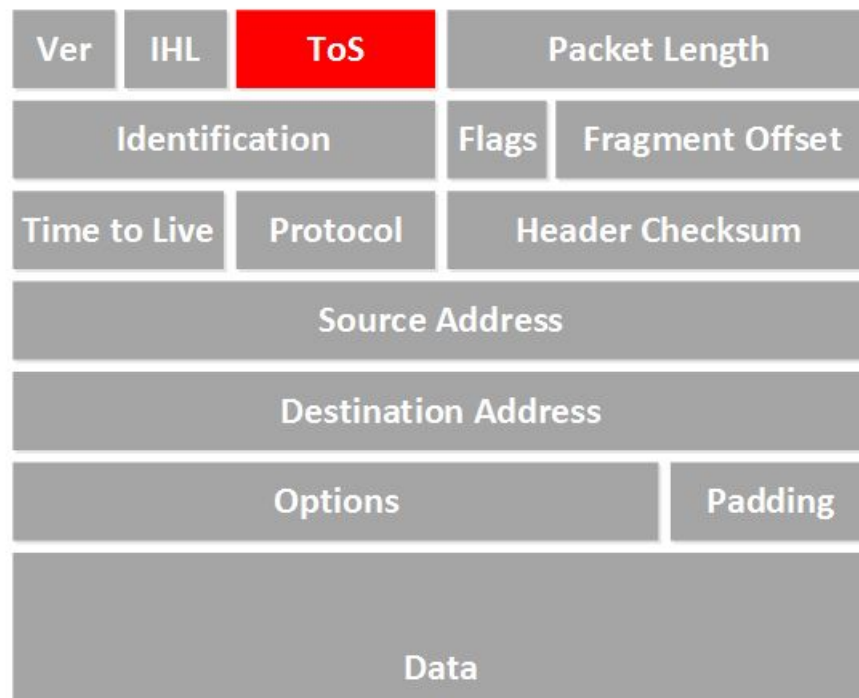
type, length, and value (TLV) traces

**TN**

Telnet (TN) is a networking protocol and software program used to access remote computers and terminals over the Internet or a TCP/IP computer network. Upon providing correct login and sign-in credentials, a user may access a remote system's privileged functionality. Telnet sends all messages in clear text and has no specific security mechanisms.

**TOS**

Type of Service (TOS). IP packets have a field called the Type of Service field (also known as the TOS byte).

**TPID**

Tag Protocol Identifier (TPID)

---

**TTL**

TTL (time to live). Under IP, TTL is an 8-bit field. In the IPv4 header, TTL is the 9th octet of 20. In the IPv6 header, it is the 8th octet of 40. The maximum TTL value is 255, the maximum value of a single octet. A recommended initial value is 64.

**TX**

Transmit

**UAP**

Uplink Access Port (UAP); when a tagged LLDP is enabled, the LLDP packets with destination address as 'nearest bridge address (01-80-c2-00-00-0E)' will be replicated for all S-Channels emulated over that UAP.

**UART**

UART (Universal Asynchronous Transmitter Receiver) is the most common protocol used for full-duplex serial communication. It is a single LSI (large scale integration) chip designed to perform asynchronous communication. This device sends and receives data from one system to another system.

**UDP**

User Datagram Protocol

**UFD**

Uplink failure detection (UFD)

**URM**

Unified Route Map (URM)

**USM**

USM stands for User based Security Model; USM (User based Security Model) and VACM (View-based Access Control Model) are the main features added as a part of the SNMPv3 specification. USM provides both encryption and authentication of the SNMP PDUs, while VACM specifies a mechanism for defining access policies for different users with different MIB trees.

**UTC**

Coordinated Universal Time (UTC); If the port is in the master state, the local clock is synchronized to an external source of time traceable to TAI (International Atomic Time) and UTC (Universal Coordinated Time) such as GPS (Global Positioning System) system.

**UTP**

Unshielded Twisted Pair (UTP) is a pair of wires that are twisted around each other to minimize interference. Ethernet cables are common example of UTP wires.

**UUID**

A Universally Unique Identifier (UUID) is a 128-bit domain UUID unique to a MRP domain/ring. All MRP instances belonging to the same ring must have the same domain ID.

**VACM**

VACM stands for View-based Access Control Model; USM (User based Security Model) and VACM (View-based Access Control Model) are the main features added as a part of the SNMPv3 specification. USM provides both encryption and authentication of the SNMP PDUs, while VACM specifies a mechanism for defining access policies for different users with different MIB trees.

---

**Varbind**

A Variable Binding (Varbind) represents a set of Oid/Value pairs. Individual Variable Bindings are stored in the Vb class. Individual Variable Bindings are stored in the Vb class.

Create a variable binding and add the Object identifier in string format:

```
Vb vb = new Vb("1.3.6.1.2.1.1.1.0")
```

Create a variable binding and add the Object identifier in Oid format:

```
Oid oid = new Oid("1.3.6.1.2.1.1.1.0");
```

```
Vb vb = new Vb(oid);
```

**VFI**

Virtual Forwarding Interface (VFI)

**VID**

Management VLAN ID (VID)

**VINES**

Virtual Integrated Network Service (VINES)

**VLAN**

Virtual Local Area Network (VLAN) is a logical subgroup within a local area network that is created via software rather than manually moving cables in the wiring closet.

**VPN**

Virtual Private Network (VPN)

**VRF**

Virtual Routing and Forwarding (VRF). In IP-based computer networks, VRF is a technology that allows multiple instances of a routing table to co-exist within the same router at the same time. One or more logical or physical interfaces may have a VRF and these VRFs do not share routes; therefore, the packets are only forwarded between interfaces on the same VRF. VRFs are the TCP/IP layer 3 equivalent of a VLAN. Because the routing instances are independent, the same or overlapping IP addresses can be used without conflicting with each other.

**VRRP**

**VRRP** (Virtual Router Redundancy Protocol) is an election protocol that dynamically assigns responsibility for one or more virtual router(s) to the VRRP router(s) on a LAN, allowing several routers on a multi-access link to utilize the same virtual IP address. A VRRP router is configured to run the VRRP protocol in conjunction with one or more other routers attached to a LAN. In a VRRP setup, one router is elected as the virtual router master, and the other routers are acting as backups in case of the failure of the virtual router master. VRRP is designed to eliminate the single point of failure inherent in the static default routed environment

**VSA**

Vendor Specific Attribute (VSA)

**WAN**

A wide area network is a telecommunications network that extends over a large geographic area for the primary purpose of computer networking.

**Web UI**

Web User Interface (Web UI) is a control panel in a device presented to the user via the Web browser. Network devices such as gateways, routers, and switches typically have such control panel

---

that is accessed by entering the IP address of the device into a Web browser in a computer on the same local network.

**WINS**

Windows Internet Naming Service (WINS)

**WRED**

*WRED* (Weighted Random Early Detection) is a queueing discipline for a network scheduler suited for congestion avoidance. It is an extension to random early detection (RED) where a single queue may have several different sets of queue thresholds.

**WRR**

Weighted Round Robin (WRR) is one of the scheduling algorithms used by the device. In WRR, there is a number of queues and to every queue is assigned weight ( $w$ ). In a classical WRR, the scheduler cycles over the queues, and when a queue with weight  $w$  is visited, the scheduler can send consequently a burst of up to  $w$  packets. This works well for packets with the same size.

**XNS**

Xerox Network Systems (XNS)



---

# Index

## Symbols

20-??, 73-??, 148-??, 513-??, 577-??, 646-??,  
1129-??, 1141-??

## A

aaa 521

abr-type 690

    cisco 690

    ibm 690

    standard 690

access-group 947, 1012, 1014

    mac 1014

    match 947

access-list 1011, 1013, 1015, 1056

    deny 24

    mac 1015

    permit 24

access-lists 1052

acl

    ACL Introduction 985

active 464, 1084

add 1097

    udp-host 1097

aggregate-route 660

    ip 660

alarm 1081, 1082, 1084

    active 1084

    buffered 1081

    config-type

        admin 1082

        chassis 1082

        protocol 1082

    security 1082

    service 1082

    switch 1082

    Relay and LED for Alarms 1079

    set 1081

alarm

    Alarm events covered – First phase 1079

alias 22, 159

aliases 37

all 247, 884

archive

    download-sw 58

area 691

    default-cost 691

    nssa 691

    range 691

    stability-interval 691

    stub 691

    translation-role 691

    virtual-link 691

arp 184, 655, 659, 660, 674, 679

    clear ip 659

    Cpu0 655

    Linuxvlan 655

    max-retries 660

    timeout 655

    Vlan 655

arp-check timer 773

asbr-default-route 738

auth-deprecate 1062

    disable, enable 1062

---

authentication 52, 521  
   dot1x 521  
   dot1x default  
     group  
       radius 521  
       tacacs+ 521  
       tacacsplus 521  
     local 521  
 authorized-manager 54  
 authorized-managers 105  
 auto-summary 812

**B**

banner-name 33  
 base 543  
 baud 1098  
 bfd 701, 705, 709  
   all-interface 701  
   disable 705  
   enable 709  
   Extreme-Ethernet 701  
   Gigabitethernet 701  
   vlan 701

BGP

aggregate-address 844  
 always-compare-med 846  
 asnotation 846  
 bestpath 846  
 client-to-client 846  
 cluster-id 846  
 comm-filter 846  
 comm-policy 846  
 comm-route 846  
 confederation 846  
 dampening 843  
   HalfLife-Time 846  
   Max-Suppress-Time 846  
   Reuse-Value 846  
   Suppress-Value 846  
 default 846  
 default-information  
   originate 865  
 default-metric 865  
 distance 866  
 distribute-list 867  
 do shutdown ip bgp 868  
   ecomm-filter 846  
   ecomm-policy 846  
   ecomm-route 846  
   graceful-restart 846  
   Introduction 843  
   ip bgp 869  
   label-allocation-mode  
     per-route 871  
   local-preference 846  
   maximum-paths 871  
   med 846  
   neighbor 872  
   network 883  
   nonbgproute-advt 846  
   redistribute  
     static 884  
   redistribute-interna 846  
   restart-reason 887  
   restart-support 888  
   router bgp 888  
   router-id 846  
   show bgp-version 890  
   show ip bgp 890  
   synchronization 891  
   tcp-ao mkt 892  
   trap 846  
   update-delay 846  
   update-filter 846

block-for 140  
 bootfile 756, 769  
   config-file 756  
 both 869  
 buffering 1146

**C**

capability 702  
 channel-group 464  
   mode 464  
 channel-protocol 465  
   lacp 465  
 char 1124  
 class 960  
 class-map 942, 971  
 clear 100, 102, 358, 375, 379, 380, 1101  
   counters 102  
   counters redundant 462

---

---

- garp counters 544
  - all 544
  - port 544
- http server statistics 166
- interface redundant 461
- interfaces 100
- lldp
  - counters 498
  - table 498
- logs 358
- mac-address-table 545
  - dynamic 545
  - remote 545
- meter-stats 943
- protocol counters 168
- serial config 1099
- serial counters 1101
- spanning-tree 380
  - counters 380
- spanning-tree detected 375, 379
- vlan statistic 548
- clear line vty 29
- clear screen 15
- CLI Command Modes 1090
- cli console 82
- cli-console 39
- client 756, 769, 773, 801, 1117
- client-id 769
- clock 80, 124
- cmdbuffs 357
- compatible 703
- config-file 756
- config-restore 154, 167
  - status 167
- configure terminal 15
- connected 884
- connection-map 1101
  - interface
    - serial 1101
- connections 1123
- copy 73
- core-file 168
- counters 177
- cpu 151
  - controlled learning 151
- cpu-mirroring 71

- cpu-port 69
- criticall 247
- crypto 219, 221, 222, 224
  - keygen 219
  - pki 219
    - import
      - ca-cert 222
      - cert 222
      - key 222
    - pki import 221, 222
- custom-param 117, 118

## D

- data 1102
- debug 86, 171, 174, 383, 387, 1103
  - customer spanning-tree 383
  - garp
    - global 549
    - gmrp 549
    - gvrp 549
    - protocol 549
    - redundancy 549
    - switch 549
  - interface 86
  - ip arp
    - all 674
    - buffer 674
    - control 674
    - data 674
    - dump 674
    - failure 674
    - init 674
    - mgmt 674
    - os 674
  - ip dhcp
    - client 758
    - relay 758
    - server 758
    - snooping 758
  - ip igmp
    - snooping
      - all 894
      - buffer 894
      - entry 894
      - exit 894
      - fwd 894

---

- grp 894
- icch 894
- init 894
- mgmt 894
- np 894
- pkt 894
- qry 894
- redundancy 894
- resources 894
- src 894
- tm 894
- trace 894
- vlan 894

ip ospf

- module
  - adj\_formation 703
  - config 703
  - helper 703
  - interface 703
  - ism 703
  - nsm 703
  - redundancy 703
  - restarting-router 703
- pkt
  - ddp 703
  - hp 703
  - lrq 703
  - lsa 703
  - lsu 703

ip rip

- all 813
- buffer 813
- control 813
- data 813
- database 813
- dump 813
- events 813
- failure 813
- init 813
- mgmt 813
- os 813
- triggers 813

iss 171

lacp

- all 466
- buffer 466
- data 466
- events 466
- failall 466
- init-shutdown 466
- mgmt 466
- os 466
- packet 466

lldp

- all 499
- all-fail 499
- buf 499
- critical 499
- ctrl 499
- data-path 499
- init-shut 499
- mgmt 499
- pkt-dump 499
- redundancy 499
- resource 499
- tlv 499

np module 174

ptp 247

qos

- buffer 944
- ctrl 944
- dump 944
- failall 944
- initshut 944
- mgmt 944
- os 944

radius 200

spanning-tree 387

- all 387
- bpdu 387
- bridge-detection-state-machine 387
- errors 387
- events 387
- global 387
- init-shut 387
- management 387
- memory 387
- port-info-state-machine 387
- port-receive-state-machine 387
- port-role-selection-state-machine 387
- port-transmit-state-machine 387
- protocol-migration-state-machine 387

---

---

- pseudoInfo-state-machine 387
- redundancy 387
- role-transition-state-machine 387
- sem-variables 387
- state-transition-state-machine 387
- topology-change-state-machine 387
- ssh 212
- tacacs 205
- vlan
  - all-debug 552
  - all-module 552
  - buffer 552
  - ctpl 552
  - data 552
  - dump 552
  - failall 552
  - fwd 552
  - global 552
  - initshut 552
  - mgmt 552
  - os 552
  - priority 552
  - redundancy 552
  - switch 552
- debug dot1x
  - all 536
  - errors 536
  - events 536
  - packets 536
  - redundancy 536
  - registry 536
  - state-machine 536
  - state-machine} 536
- debug etherchannel
  - all 465
  - detaill 465
  - error 465
  - event 465
- debugging 123
- debug-logging 88, 122
  - console 88
  - file 88
  - flash 88
- default-distance 661, 672
- defaulted-state-threshold 469
- default-information 705, 815
  - originate 815
    - always
      - metric 705
      - metric-type 705
      - route-map 705
  - default-metric 816
  - default-router 762
  - default-ttl 662
  - default-value 160
  - deny 985, 991, 994
    - any 994
    - host 994
  - icmp 985
    - message-code 996
    - message-type 996
    - priority 996
  - ip 985
  - ipv6 985
  - ospf 985
  - pim 985
  - tcp 985
    - ack 1001
    - dscp 1001
    - eq 1001
    - gt 1001
    - lt 1001
    - priority 1001
    - range 1001
    - rst 1001
    - tos 1001
  - udp 985
    - dscp 1007
    - eq 1007
    - gt 1007
    - lt 1007
    - priority 1007
    - range 1007
    - tos 1007
  - description 176, 1104
  - designated-uplink 95
  - DHCP 754, 755
    - Client 754
    - Introduction 754
    - Relay 755
    - Server 755
- dhcp 756, 757, 758, 769, 773, 775, 776, 777, 778,

---

---

779, 780, 782, 783, 784, 785, 795, 797, 798, 800,  
803, 804, 807  
  bootfile 769  
  client 756, 769, 773  
    statistics 756  
  debug 758  
  dns-server 775  
  excluded-address 776  
  next-server 777  
  ntp-server 778  
  pool 779  
  relay 757, 780, 803  
    statistics 757  
  release 795  
  renew 797  
  server 758, 782, 800, 804  
    statistics 758  
  service 798  
  sip-server 783  
  snooping 784, 785, 807  
  trust 784  
dhcp-client  
  module 808  
  status 808  
dhcp-relay 798, 801  
  client 801  
  service 798  
dhcp-server 799  
  service 799  
directed-broadcast 663  
direction 1105  
Direction Mode 1095  
disable  
  bfd 705  
discovery time 773  
distance 707, 816  
  route-map 707, 816  
distribute-list 708, 817  
  route-map 817  
  in 708  
dns-server 762, 775  
domain-name 763  
dot1x 522, 527, 529, 536, 537  
  access-control 529  
  auth-mode 529  
  clear 527  
  control-direction 529  
  debug 536  
  default 529  
  disable 529  
  distributed 522  
  enable 529  
  host-mode 529  
  init 522  
  initialize 527  
  init-session 522  
  Introduction 521  
  local-database 522  
  max-req 529  
  max-start 529  
  mode 522  
  port-control 529  
  re-authenticate 527  
  reauthentication 529  
  reauth-max 529  
  show 537  
  system-auth-control 522  
  timeout 529  
download-sw 58  
DSCP 1107  
dump 168, 169  
dynamic 1108, 1109  
  idle-timeout 1108  
  packet char 1109  
  packet timeout 1108

**E**  
echo-reply 663  
egress 1011, 1056  
  access-list 1056  
  mode  
    ip, mac 1011  
email 362  
  show 362  
enable 20  
  bfd 709  
enableuser 28  
end 27  
entity 179, 181  
  physical-index 179  
env 118  
erase 82

---

- flash log 82
- mvrnm 82
- startup-config 82
- errordisable 390
  - recovery-interval 390
- etherchannel 465, 486, 492
  - debug 465
  - interfaces 492
  - show 486
- excluded-address 764, 776
- exit 28
- external-storage 40

## F

- factory reset 35
- feature 142
- filtering-utility-criteria 583
- firmware 78, 79
  - switch 78
  - upgrade 79
- flash 58, 362
  - show 362
- flow-control 122
- flowcontrol 83
  - receive 83
  - send 83
- force 1111
- forward-all 554, 597
  - forbidden-ports 554
  - static-ports 554
- forward-unregistered 557, 598
  - forbidden-ports 557
  - static-ports 557

## G

- garp 544, 549, 585, 600, 628
  - clear 544
  - debug 549
  - shutdown 628
  - timer 585, 600
- Global Configuration Mode 1092
- globals 807
- gmrp 601
  - statistics 601
- gratuitous 184
- group 560

- group restricted
  - disable 560
  - enable 560
- gvrp 602
  - statistics 602

## H

- hardware-type 765
- health status 128
- help 14
- history 37
- hold 1113
- host 765, 1097, 1136
  - hardware-type
    - client-identifier
      - dns-server 765
      - ip 765
      - ntp-server 765
      - option 765
      - sip-server 765
- hostname 95
- HSR
  - clear
    - counters redundant 462
    - hsr-prp redundant 462
      - node-table 462
      - proxy-node-table 462
    - interface redundant 461
  - hsr-netid 452
  - interface range redundant 441
  - no shutdown 442
  - port
    - A 449
    - B 449
    - down 449
    - up 449
  - redundancy 446
    - disable 446
    - enable 446
  - redundancy interface modes 443
  - redundancy modes
    - HSR 443
    - HSR-HSR-A 443
    - HSR-HSR-B 443
    - HSR-PRP 443
    - HSR-PRP-A 443

---

- HSR-PRP-B 443
- NetID 443
- PRP 443
- redundancy state 446
- redundant quad-box
  - base-vlan 454
- show
  - interfaces counters redundant 460
- shutdown 442
- supervision-vlan-id 447
- hsr 450, 451
- http 143, 144, 146, 166
  - clear 166
  - port 48, 216
  - redirect 146
  - secure 48, 216
  - secure cryptokey 48, 216
  - secure server 48, 216
  - server 166
  - set 143
  - show 144
  - statistics 166
- hw-failure 470
  - recovery-threshold 470

**I**

- icmp 996
  - deny 996
- icmp-accept 872
- idle-timeout 1108
- ietf 723
- iftype protocol 139
- igmp 894, 906, 914, 915, 917
  - clear 915
  - counters 915
  - snooping 894, 906, 915, 917
- IN 1105
- in, out 1012
- information 681
- IN-OUT 1105
- instance 391
  - vlan 391
- integration 249
- Interface
  - range redundant 441
- interface 60, 440, 441, 1062, 1114
  - all 86
  - arppktdump 86
  - buffer 86
  - enetpktdump 86
  - Extreme-Ethernet 1062
  - failall 86
  - Gigabitethernet 1062
  - ippktdump 86
  - os 86
  - range 561
  - track 86
  - trcerror 86
  - vlan 1062
- interfaces 1057, 1140
  - rate-limit 1057
- internal-lan 138, 139
  - add interface virtua 138
  - add interface virtual 138
  - delete interface virtual 138
  - show 139
- ip 47, 184, 223, 660, 661, 662, 663, 664, 666, 667, 668, 672, 674, 675, 678, 679, 681, 682, 683, 685
  - access-group 1012
  - access-list
    - extended 1013
    - standard 1013
  - address 47
  - aggregate-route 660
  - arp 674, 679
  - arp gratuitous 184
  - arp max-retries 660
  - default ip 47
  - default-distance 661, 672
  - default-ttl 662
  - directed-broadcast 663
  - echo-reply 663
  - http 48, 216, 223
  - igmp snooping
    - blocked-router 906
    - fast-leave 906
    - max-response-code 906
    - mrouter 906
    - mrouter-port 906
    - multicast-vlan 906
    - other-querier-present-interval 906
    - querier 906

---



---

- query-interval 906
- startup-query-count 906
- startup-query-interval 906
- static-group 906
- information 681
- mask-reply 664
- ospf 739
- path 664
- pmtu 682
- proxy-arp 666, 672, 682
- proxyarp-subnetoption 666
- rarp 683
- rarp client 667
- redirects 668
- rip 818, 825
- route 675, 683
  - Cpu0 675
  - Linuxvlan 675
  - ppp 675
  - tunnel 675
  - Vlan 675
- routing 678
- secure crypto 223
- split-horizon poisson 827, 838
- ssh 210
- ssh pubkey-chain 212
- traffic 685
- unreachables 668
- ip address 42
  - allocation protocol 47
- ip arp
  - show 679
- ip bgp
  - four-byte-asn 869
- ip dhcp
  - client 769, 773
  - dns-server 775
  - excluded-address 776
  - fast-access 773
  - idle timer 773
  - next-server 777
  - ntp-server 778
  - pool 779
  - relay 780
  - server 782
  - sip-server 783
  - snooping 784, 785
  - snooping trust 784
- ip http 54
  - disable 54
  - enable 54
- ip igmp
  - filter 914
  - max-groups 914
  - snooping clear counters 915
- ip rip
  - authentication 818
  - auth-type 818
  - default 818
  - key-id 818
  - receive 818
  - retransmission 825
  - security 825
  - send 818
  - summary-address 818
- ip-source 54
- ip-tracking 1070
  - connectivity-failure 1070
  - connectivity-success 1070
  - ping-frequency 1070
  - pings-per-query 1070
  - query-delay 1070
  - query-success 1070
- ipv4 669
  - enable 669
- ipv4 address 1133
- ipv4-address 883
- ipv6-address 883
- isis 91

**K**

- keep-alive 1116
- keep-alive timeout 1116

**L**

- l3vlan 177
- LA
  - introduction 463
- lACP 466, 470, 471, 472, 473, 474, 475, 476, 477, 494
  - admin-key 470
  - mode

---

---

- active 470
  - passive 470
- debug 466
- LACP Introduction 463
- port-identifier 471
- port-priority 472
- rate 473
  - fast 473
  - normal 473
- show 494
- system-identifier 474
- system-priority 475
- timeout 476
  - long 476
  - short 476
- wait-time 477
- lease 786
  - days, hours, minutes 786
  - infinite 786
- less-specific 869
- line 36
- linkup-delay 76, 77
- listuser
  - admin 16
  - guest 16
  - root 16
- lldp 498, 499, 502, 505, 511
  - chassis-id-subtype 502
  - clear 498
  - debug 499
  - Dest-mac 505
  - holdtime-multiplier 502
  - LLDP Introduction 497
  - med-location 505
  - med-tlv-select 505
  - notification 505
  - notification-interval 502
  - port-id-subtype 505
  - receive 505
  - reinitialization-delay 502
  - set 511
  - tlv-select 505
  - transmit 505
  - transmit-interval 502
  - txCreditMax 502
  - tx-delay 502

- lldp-med 513
  - set 513
- local 1117, 1119
  - client port 1117
  - server 1119
- lock 16
- logging 346
  - console 346
  - facility 346
  - local 346
  - on 346
  - port 346
  - remote 346
  - severity 346
  - tls 346
- logging-file 365
  - show 365
- logging-server 364
  - show 364
- login
  - authentication 52
  - block-for 140
- logout 26
- loopback 58, 1120

## **M**

- mac 1014, 1015
  - access-group
    - in, out 1014
- mac-addr 63
- mac-address-table 545, 563, 604
  - aging-time 563
  - clear 545
  - static
    - multicast 563
    - unicast 563
- mac-learning 589
- mac-learn-rate 97, 128
- mac-map 567
  - vlan 567
    - mcast-bcast
      - allow 567
      - discard 567
- mail-server 355, 366
  - ipv4 355
  - ipv6 355

---

show 366  
map 569, 572, 945  
  interface  
    in-priority-type  
      dot1P 945  
      ipDscp 945  
      vlanPri 945  
  subnet  
    arp 572  
    mask 572  
map protocol  
  appletalk 569  
  enet-v2 569  
  ip 569  
  llcOther 569  
  netbios 569  
  novell 569  
  other 569  
  snap 569  
  snap8021H 569  
  snapOther 569  
mask 883  
mask-reply 664  
match access-group  
  ip-access-list 947  
  mac-access-list 947  
  priority-map 947  
max 1123  
  client connections 1120  
  connections 1121  
  pending messages 1122  
  udp messages 1123  
max connections 1121  
mdi  
  set port 153  
mdix 153  
  auto 153  
  set port 153  
meter 948, 961, 972  
meter-stats 943, 968  
  clear 943  
meter-type 949  
  srTCM  
    cir 949  
    color-mode 949  
    ebs 949  
    eir 949  
  trTCM  
    cir 949  
    color-mode 949  
    ebs 949  
    eir 949  
mgmt-port 39, 155  
mib 284  
  show 284  
mirror 69  
mirroring 161  
mkt  
  key-id 892  
mls 951  
  qos 951  
mls qos aggregate-policer  
  exceed-action  
    drop  
      ebs 951  
    set-ip-dscp-transmit 951  
MODBUS 1097, 1099, 1107, 1120, 1122, 1133,  
1135, 1137, 1138, 1147  
  local  
    server 1119  
    remote ipv4 address 1133  
Modbus 1094  
MODBUS client  
  remove  
    slave-id 1135  
    response-timeout 1137  
Modbus Client 1096  
MODBUS server  
  remove  
    slave-id 1135  
    response-timeout 1137  
Modbus Server 1096  
monitor 65, 67  
MRP  
  Alarms supported in MRP 431  
  Failure Detection  
    Ring Open 430  
  MRM condition/detected 432  
  MRP status change 432  
  Normal Operation  
    Ring Closed 430  
mrp 433, 434, 435, 436, 437

---

---

- mode 435
- priority 436
- ringid 433, 434
- uuid 437
- mtu 57
- mvr 916

**N**

- name 392, 574
- nas-id 541
  - set 541
- neighbor 718, 827
  - advertisement-interval 872
  - as-override 872
  - capability 872
  - connect-retry-count 872
  - cost 718
  - database-filter all 718
  - ebgp-multihop
    - ttl 872
  - fall-over bfd 872
  - gateway 872
  - hold-advertised-route 872
  - local-as 872
  - maximum-prefix 872
  - network-address 872
  - password password-string 872
  - peer-group 872
  - poll-interval 718
  - priority 718
  - remote-as 872
  - route-map
    - prefix-list 872
  - route-reflector-client 872
  - send-community 872
  - shutdown 872
  - timers 872
  - transport connection-mode 872
  - trp-ao
    - mkt 872
  - update-source 872
- netbios-name 788
- netbios-node 789
  - b-node 789
  - h-node 789
  - m-node 789

- p-node 789
- netbios-node-type 790
  - b-node 790
  - h-node 790
  - m-node 790
  - p-node 790
- network 720, 791, 828
  - area
    - unnum 720
  - unnum
    - Extreme-Ethernet 828
    - Gigabitethernet 828
    - vlan 828
- next-server 777
- nsf 723
- nsf ietf
  - grace 723
  - grlsa 723
  - helper 723
  - helper-support 723
  - restart-interval 723
  - restart-reason 723
  - restart-support 723
- nssa 738
- ntp-server 778, 793

**O**

- offer-reuse 782
- on 464
- opaque 702
- opensource-packages 187, 189, 190, 191
- option 794
  - code
    - ascii 794
    - hex 794
    - ip address 794
- OSPF
  - ASBR Router 700
  - LSA 690
- ospf 703, 709, 737, 739
  - debug 703
  - ip 709
  - OSPF Introduction 690
  - router 737
- OUT 1105
- output 831

---

overlap-policy 869  
  more-specific 869

**P**

packet 156, 158, 1124, 1126, 1127  
  char  
    off 1124  
  receive index 156  
  send index 156  
  show 158  
  size 1126  
  timeout 1127

packet char 1109

packetizing 1124, 1126, 1127, 1129  
  enable, disable 1129

packet-reflection 590

pagination 33

parity 1129

passive 464

passive-interface 728, 831  
  default 728  
  Extreme-Ethernet 728, 831  
  Gigabitethernet 728, 831  
  vlan 728, 831

password  
  max-life-time 30  
  minimum password length 32

path 664

pbit-preference 954

pending messages 1122

performance-data 393

performance-data-status 394

permanent-client 1130  
  ipv4 address 1130

permit 1016, 1022, 1028, 1031, 1038, 1044  
  any 1022, 1028  
  dp 1022  
  host 1022, 1028  
  icmp 1016, 1031  
    message-code 1031  
    message-type 1031  
    priority 1031  
  ip 1016  
  ospf 1016  
  pim 1016  
  priority 1028

redirect 1028

sub-action 1028

tcp 1016, 1038  
  ack 1038  
  dscp 1038  
  eq 1038  
  gt 1038  
  lt 1038  
  priority 1038  
  range 1038  
  rst 1038  
  tos 1038

udp 1016, 1044  
  dscp 1044  
  eq 1044  
  gt 1044  
  lt 1044  
  priority 1044  
  range 1044  
  tos 1044  
  user-priority 1022

pki 224

pmtu 682

PNAC Introduction 521

policy 968

policy-map 952, 974

pool 779

port 153, 164, 247, 468, 575, 1117  
  default 468  
  mac-vlan 575  
  protocol-vlan 575  
  set 153  
  subnet-vlan 575

port-channel 478, 479, 485, 496  
  defaulted-state-threshold 479  
  error-recovery-threshold 479  
  hw-failure 479  
  load-balance 479  
  max-ports 478  
  rec-threshold-exceed-action 479  
  same-state 479  
  shutdown 496

port-role 100

ports 99, 577  
  add 99  
  delete 99

---

---

- port-security 581, 582, 613
  - trap-syslog 581
  - violation 582
- port-security violation
  - protect 582
  - restrict 582
  - shutdown 582
- port-security-state 159
  - trusted 159
- post 1131
- Preemptive-raw 1093
- priority-map 953
- privilege 35
- Privileged Exec Mode 1092
- profile 1139
- prompt-name 34
- protocol 168, 569
  - clear 168
  - counters 168
- protocol-vlan 583
- proxy-arp 666, 672, 682
- proxyarp-subnetoption 666
- prp 453
- PTP
  - interfaces 244
- ptp 240, 244, 245, 247
  - debug 247
  - mode
    - e2transparent 240
    - p2ptransparent 240
  - show 245

## Q

- qos 944, 954, 955, 975
  - debug 944
  - pbit-preference 954
  - QoS Introduction 942
- queue 956, 979
  - priority 956
  - qtype 956
  - queue-type 956
  - scheduler 956
  - shaper 956
  - weight 956
- queue-map 958, 981
  - CLASS

- queue-id 958
- queue-template 982

## R

- RADIUS 195
- radius 197, 198, 200
  - debug 200
  - set 197
  - show 198
- radius-server 195
  - host 195
- range 561
  - interface 561
- rarp 667, 683
- rate-limit 150, 1051, 1057
  - output
    - burst-value 1051
    - rate-value 1051
  - pause 150, 1051
- Raw 1095
- Raw Socket 1093
- raw socket
  - local
    - server 1119
    - remote ipv4 address 1133
- RAW\_SOCKET 1099
- re-connect
  - timeout 1132
- redirects 668
- redist-config 731
  - gmetric-type 731, 735
  - metric-value 731, 735
  - tag 731, 735
- redistribute 733, 834
  - all 834
  - connected 834
  - ospf 834
  - static 834
- relay 757, 780, 803
- release 795
  - dhcp
    - cpu0 795
    - interface 795
    - vlan 795
- remote 1133
- remove 1135, 1136

---

- udp-host 1136
- renew 797
  - dhcp
    - cpu0 797
    - interface 797
    - vlan 797
- request 769
- response-timeout 1137
- restricted 560
  - group 560
- revision 392
- rfc1583 703
- rip 813, 818, 825, 836, 837, 838, 884
  - authentication last-key infinite lifetime
    - false 836
    - true 836
  - debug 813
  - RIP Introduction 812
  - router 837
  - show 838
- rmon 930, 933, 935, 936, 937
  - alarm
    - absolute
      - rising-threshold, falling-threshold 930
    - delta
      - rising-threshold, falling-threshold 930
  - collection
    - history
      - buckets 933
      - interval 933
      - owner 933
    - stats
      - owner 933
  - event
    - description 935
    - log 935
    - owner 935
    - trap 935
  - set 936
- role 1097, 1135, 1138
  - client 1138
  - server 1138
- Role Mode 1096
- rollback 89
  - disable 89
  - enable 89

- route 675, 683
- route-calculation 735
- router 1063
  - vrrp 1063
- router-id 737
- routing 155, 678
- running 1073
  - vrrp 1073
- rx 1139

## S

- same-state 484
  - recovery-threshold 484
- save
  - default-value 160
- scheduler 959, 983
  - interface
    - sched-algo
      - rr 959
      - strict-priority 959
      - wrr 959
- sender 357
  - mail-id 357
- serial 1090, 1103, 1140
  - connection-type
    - modbus
      - profile 1139
    - preemptive-raw
      - profile 1139
    - raw
      - profile 1139
- serial connection 1139, 1148
- serial counters 1101
- Serial Interface Configuration Mode 1092
- Serial Profile Mode 1093
- Server 1121, 1122
- server 758, 782, 800, 804, 1120
- service 798, 799
  - dhcp 798
  - dhcp-relay 798
  - dhcp-server 799
- set 191, 595
  - alarm
    - disable, enable 1081
  - banner-name 33
  - class

---

- pre-color
  - green 960
  - none 960
  - red 960
  - yellow 960
- cli pagination 33
- cli-console 39
- custom-param 117
  - attribute 117
  - length 117
  - type 117
  - value 117
- designated-uplink 95
- external-storage 40
- http 143
- linkup-delay 76
  - disable 76
  - enable 76
- lldp
  - disable 511
  - enable 511
  - tag 511
  - version 511
- lldp-med
  - disable 513
  - enable 513
- mac-learning 589
- meter
  - conform-action 961
  - exceed-action 961
  - set-conform-newclass 961
  - set-exceed-newclass 961
  - set-violate-newclass 961
  - violate-action 961
- meter-stats
  - disable, enable 968
  - meter-id 968
- mgmt-port 39
- mgmt-port routing 155
- minimum password length 32
- mirroring 161
- nas-id 541
- nssa
  - sbr-default-route translator 738
- packet-reflection 590
- performance-data
  - disable 393
  - enable 393
- policy
  - class 968
  - default-priority-type
    - dot1P 968
    - ipDsc 968
    - vlanPri 968
- port
  - mdi 153
  - mdix 153
- port-channel
  - disable 485
  - enable 485
- port-role
  - downlink 100
  - uplink 100
- prompt-name 34
- radius 197
- rmon
  - disable, enable 936
- sntp 229
  - broadcast-delay-time 229
  - broadcast-mode 229
  - broadcast-poll-timeout 229
  - client 229
  - manycast-poll-interval 229
  - manycast-poll-retry-count 229
  - manycast-poll-timeout 229
  - manycast-server 229
  - multicast-delay-time 229
  - multicast-group-address 229
  - multicast-mode 229
  - multicast-poll-timeout 229
  - unicast server 229
  - unicast-max-poll-retry 229
  - unicast-max-poll-timeout 229
  - unicast-poll-interval 229
  - unicast-poll-timeout 229
- split-horizon 146
- switch 92
- switch-name 155
- sw-stats 594
- vlan traffic-classes 596

set garp timer  
join 585

---



---

- leave 585
- leaveall 585
- sftp 58
- shape-template 970, 984
  - cbs 970
  - cir 970
- show 38, 124, 141, 173, 188, 225, 227, 361, 438, 455, 513, 611, 1141
  - access-lists
    - ip 1052
    - mac 1052
    - user-defined 1052
  - aliases 37
  - authorized-managers 105
  - bgp-version 890
  - class-map 971
  - clock 124
  - config-restore status 167
  - cpu-mirroring 71
  - crypto 225, 227
    - map 227
      - brief 227
    - pki 221, 225
      - csrgen 221
  - custom-param 118
  - debugging 123
  - dhcp server 800
  - dhcp-client module status 808
  - dot1x
    - all 537
    - distributed 537
    - interface 537
    - local-database 537
    - mac-info 537
    - mac-statistics 537
    - statistics 537
    - supplicant-statistics 537
  - egress access-list mode 1056
  - email alerts 362
  - entity 181
  - env
    - all 118
    - CPU 118
    - flash 118
    - power 118
    - RAM 118
    - temperature 118
  - etherchannel
    - detail 486
    - load-balance 486
    - port 486
    - port-channel 486
    - protocol 486
    - summary 486
  - eula 38
  - flash logs 362
  - flow-control 122
  - forward-all 597
  - forward-unregistered 598
  - garp timer 600
  - gmrp statistics 601
  - grat-arp 185
  - gvrp statistics 602
  - health status 128
  - history 37
  - iftype protocol deny table 139
  - interfaces 492
    - rate-limit 1057
    - serial 1140
  - interfaces counters redundant 460
  - ip arp
    - Extreme-Ethernet 679
    - Gigabitethernet 679
    - information 679
    - statistics 679
    - summary 679
    - vlan 679
  - ip bgp 890
  - ip default-distance 672
  - ip dhcp
    - client
      - client-id 801
      - fast-access 801
      - interface 801
      - option 801
    - relay 803
    - snooping 807
  - ip igmp
    - snooping
      - blocked-router 917
      - forwarding-database 917
    - globals 917

---

- groups 917
- mrouter 917
- multicast-receivers 917
- multicast-vlan 917
- port-cfg 917
- statistics 917
- switch 917
- vlan 917
- ip information 681
- ip ospf
  - area-range 739
  - border-routers 739
  - database 739
  - interface 739
  - neighbor 739
  - redundancy 739
  - request-list 739
  - retransmission-list 739
  - route 739
  - summary-address 739
  - virtual-links 739
- ip pmtu 682
- ip proxy-arp 672, 682
- ip rarp 683
- ip rip
  - authentication 838
  - database 838
  - statistics 838
- ip route
  - bgp 683
  - connected 683
  - cybsec 683
  - details 683
  - failed 683
  - hardware 683
  - isis 683
  - ospf 683
  - rip 683
  - static 683
  - summary 683
- ip ssh 209
- ip traffic
  - hc 685
  - interface 685
- l3vlan interfaces counters 177
- lacp
  - counters 494
  - neighbor 494
- line 36
- mac-address-table
  - address 604
  - aging-time 604
  - count 604
  - dynamic 604
  - hardware 604
  - interface 604
  - static 604
  - switch 604
  - vlan 604
- mac-learn-rate 128
- meter 972
- mib 284
- monitor 67
- mrp 438
- opensource-packages 187, 189, 190, 191
- packet 158
- policy-map 974
- privilege 35
- ptp
  - clock 245
  - counters 245
  - global info 245
  - profile 245
- qos 975
  - meter-stats 975
  - pbit-preference-over-Dscp
    - queue-stats 975
- queue 979
- queue-map 981
- queue-template 982
- radius 198
- rmon
  - alarms 937
  - events 937
  - history 937
  - statistics 937
- running vrrp 1073
- scheduler 983
- shape-template 984
- snmp 285
  - agentx 285
  - community 285

---

---

- engineid 285
- filter 285
- group 285
- mibproxy 285
- notif 285
- proxy 285
- proxy-udp-port 285
- targetaddr 285
- targetparam 285
- traps 285
- user 285
- viewtree 285
- snmp-server 290
  - proxy-udp-port 290
  - traps 290
- spanning-tree
  - active 394
  - blockedports 394
  - bridge 394
  - detail 394
  - interface 394
  - layer2-gateway-port 394
  - mst 394
  - pathcost 394
  - performance-data 394
  - root 394
  - summary 394
  - switch 394
  - vlan 394
- split-horizon 148
- ssh 208
- ssh-configurations 209
- syslog
  - file-name 363
  - information 363
  - localstorage 363
  - mail 363
  - profile 363
  - relay 363
  - relay-port 363
  - role 363
- system
  - acknowledgement 120
  - information 120
  - port-id 120
- system-specific port-id 116
- tacacs 204
- tcp 369
  - connections 369
  - listeners 369
  - retransmission details 369
  - statistics 369
- telnet server 143
- timer speed 129
- udp 373
- unicast port-security 613
- users 38
- vrrp
  - brief 1074
  - detail 1074
  - interface 1074
  - statistics 1074
  - web-session timeout 167
- show ssl server-cert 214
- shutdown 85, 89, 1145
  - garp 628
  - HSR 442
  - snooping 927
  - spanning-tree 411
  - split-horizon 147
  - vlan 629
- sip-server 783, 809
  - domain 809
  - ip 809
- size 1126
- slave-id 1097, 1135
- sleep 149
- smtp 366
  - authentication 366
    - auth-login 366
    - auth-plain 366
    - cram-md5 366
    - digest-md 366
- snmp 65, 285
  - link-status 65
  - show 285
  - trap 65
- snmp mib
  - input 309
  - name 309
  - oid 309
  - short 309

---

---

SNMP Traps  
  Alarm Trap 274  
  Authentication Failure Trap 276  
  Cold Start Trap 276  
  General SNMP configuration for Traps 272  
  Line Module Trap 273  
  Link UP / DOWN Trap 277  
  Power Supply Trap 275  
  Spanning Tree Trap 278  
  Temperature Trap 281  
  Warm Start Trap 273

snmpagent 283, 284  
  disable 283  
  enable 284

snmpget 306  
  mib 306  
    name 306  
    oid 306

snmpgetnext 306  
  mib 306  
    name 306  
    oid 306  
    short 306

snmp-server 290, 307  
  enable traps 307  
  show 290  
  trap 307  
  udp-port 307

snmpset 309  
  mib 309

SNMPv3 249

snmpwalk 311  
  mib 311

snmpwalk mib  
  count 311  
  name 311  
  oid 311  
  short 311

snooping 784, 785, 807, 894, 906, 915, 917, 927, 928, 929  
  leave-process 928  
    config-level  
      all-ports 929  
      port 928  
      vlan 928  
  report-process 929  
    config-level  
      non-router-ports 929  
  shutdown 927

sntp 228, 229, 236, 238  
  debug 238  
  introduction 228  
  set 229  
  show 236

spanning-tree 394, 411, 419  
  auto-edge 419  
  bpdudfilter 419  
  bpduguard 419  
  bpdu-receive 419  
  bpdu-transmit 419  
  compatibility 411  
  cost 419  
  disable 419  
  encap 419  
  flush-indication-threshold 411  
  flush-interval 411  
  forwarddelay 411  
  forward-time 411  
  guard 419  
  hello-time 411  
  layer2-gateway-port 419  
  link-type 419  
  max-age 411  
  mode 411, 419  
  mst 411, 419  
  pathcost 411  
  portfast 411, 419  
  port-priority 419  
  priority 411  
  pseudoRootId 419  
  restricted-role 419  
  restricted-tcn 419  
  show 394  
  shutdown 411  
  transmit 411  
  vlan 411, 419

speed 148

spf 752

split-horizon 146, 147, 148, 827  
  set 146  
  show 148  
  shutdown 147

---

---

SSH 207  
ssh 207, 208, 209, 210, 212  
    debug 212  
    ip 210  
    pubkey-chain 212  
    show 208, 209  
ssh-configurations 209  
SSL 214  
ssl 214  
    server-cert 214  
start 91  
    bgp 91  
    ldp 91  
    ospf 91  
    ospf3 91  
    rsvte 91  
statistics 756, 757, 758  
stop 1145  
stp  
    STP Introduction  
    MSTP 375  
    PVRST+ 375  
    RSTP 375  
subnet 572  
summary-address 750  
    advertise 750  
    allowAll 750  
    denyAll 750  
    not-advertise 750  
    tag 750  
    Translation 750  
switch 92  
switch-name 155  
switchport 47, 630  
    acceptable-frame-type 630, 643  
    access 630, 643  
    dot1q 630, 643  
    egress 630, 643  
    encapsulation 630, 643  
    filtering-utility-criteria 630, 643  
    ingress 630, 643  
    ingress-filter 630, 643  
    map 630, 643  
    mode 630, 643  
    port-security 630, 643  
    priority 630, 643  
    protected 630, 643  
    pvid 630, 643  
    unicast-mac 630, 643  
sw-stats 594  
synchronization 869  
syslog 350, 354, 359, 363  
    crypto 354  
    filename-one 359  
    filename-three 359  
    filename-two 359  
    key 354  
    localstorage 359  
    mail 359  
    profile 359  
    relay 359  
    relay-port 359  
    secure 354  
    show 363  
system 64, 120  
    contact 64  
    location 64  
    mtu 64  
    name 64  
system-specific 116  
    port-id 116

**T**  
TACACS 201  
tacacs 204, 205  
    debug 205  
    show 204  
tacacs-server 201  
    radius-server 201  
TCP 1121, 1148  
tcp 369, 1001, 1146  
    buffering  
        disable 1146  
        enable 1146  
    deny 1001  
    show 369  
telnet 142, 143  
    server 143  
tftp 58  
threshold 810  
timeout 166, 1127  
timer 1116

---

- timer speed 129
- timers 752, 840
  - basic 840
  - spf 752
- TLV Introduction 497
- TPID 615, 642
- traceroute 688
  - max-ttl 688
  - min-ttl 688
- track 1064, 1074
  - interface 1064
  - IPv4 1064
  - links 1064
- traffic 685
- traffic-separation 151
  - control 151
- traffic-share 673
- transmit-exception 1147
  - disable 1147
  - enable 1147
- transport protocol 1148
- Transport Protocol TCP Mode 1094
- Transport Protocol UDP Mode 1095
- trust 784
- turnaround 1149

## U

- UDP 1148
- udp 373, 1007, 1097, 1123, 1136
  - deny 1007
  - show 373
  - UDP Introduction 373
- ufd 134, 135
  - set 134
  - shutdown 134
- unicast 613
  - port-security 613
- unreachables 668
- untrusted 159
- User Exec Mode 1092
- user-defined 615, 642
  - TPID 615, 642
- username 17
- utilization 810
  - threshold 810

## V

- vendor-specific 769, 811
- version 841, 1069
  - 1,2 841
  - none 841
- VLAN
  - introduction 543
- vlan 548, 552, 596, 629, 643, 646, 648, 807
  - clear 548
  - debug 552
  - learning mode
    - hybrid 648
    - ivl 648
    - svl 648
  - shutdown 629
  - traffic-classes 596
- VLAN ID
  - supervision-vlan-id 447
- VRRP
  - Accept Mode 1061
  - Preempt Mode 1061
  - Primary IP Address 1061
  - Priority 1061
  - Router Advertisement 1061
  - Virtual Router (VR) 1061
  - Virtual Router Identifier (VRID) 1061
  - Virtual Router Master 1061
  - VRRP Router 1061
- vrrp 1063, 1066, 1069, 1073, 1074
  - accept-mode 1066
  - authentication 1066
  - group 1066
  - ip 1066
  - ipv4 1066
  - preempt 1066
  - priority 1066
  - text-authentication 1066
  - timer 1066
  - timers 1066
  - track 1066
  - version
    - v2 1069
    - v2-v3 1069
    - v3 1069

---

## **W**

web-session 166, 167

  show 167

  timeout 166, 167

write 71

  flash 71

  sftp 71

  startup-config 71

  tftp 71