

CUSTOMER SUCCESS STORY

CUSTOMER: CLASSIFIED AEROSPACE APPLICATION
INDUSTRY: AEROSPACE
REGION: EUROPE
PRODUCT: iRBX6GF, iSG18GFP, iES20GF

THE CHALLENGE

The aerospace customer located in an undisclosed location in Europe, was looking for secure SCADA communications network for protection and control systems for their substations.

THE SOLUTION

To solve this problem, iS5 Communications implemented a Secure gateway for electronic security perimeter for engineers and technicians to do remote maintenance and access of RTU's and IED's. Additionally, the network needed to allow for seamless fail-over protection through redundant design schemes to achieve the highest reliability.

1. Implemented Secure Gateway Device at the Control Center

Provided for encryption and unwanted restricted access.

2. Zero packet loss redundancy through HSR/PRP

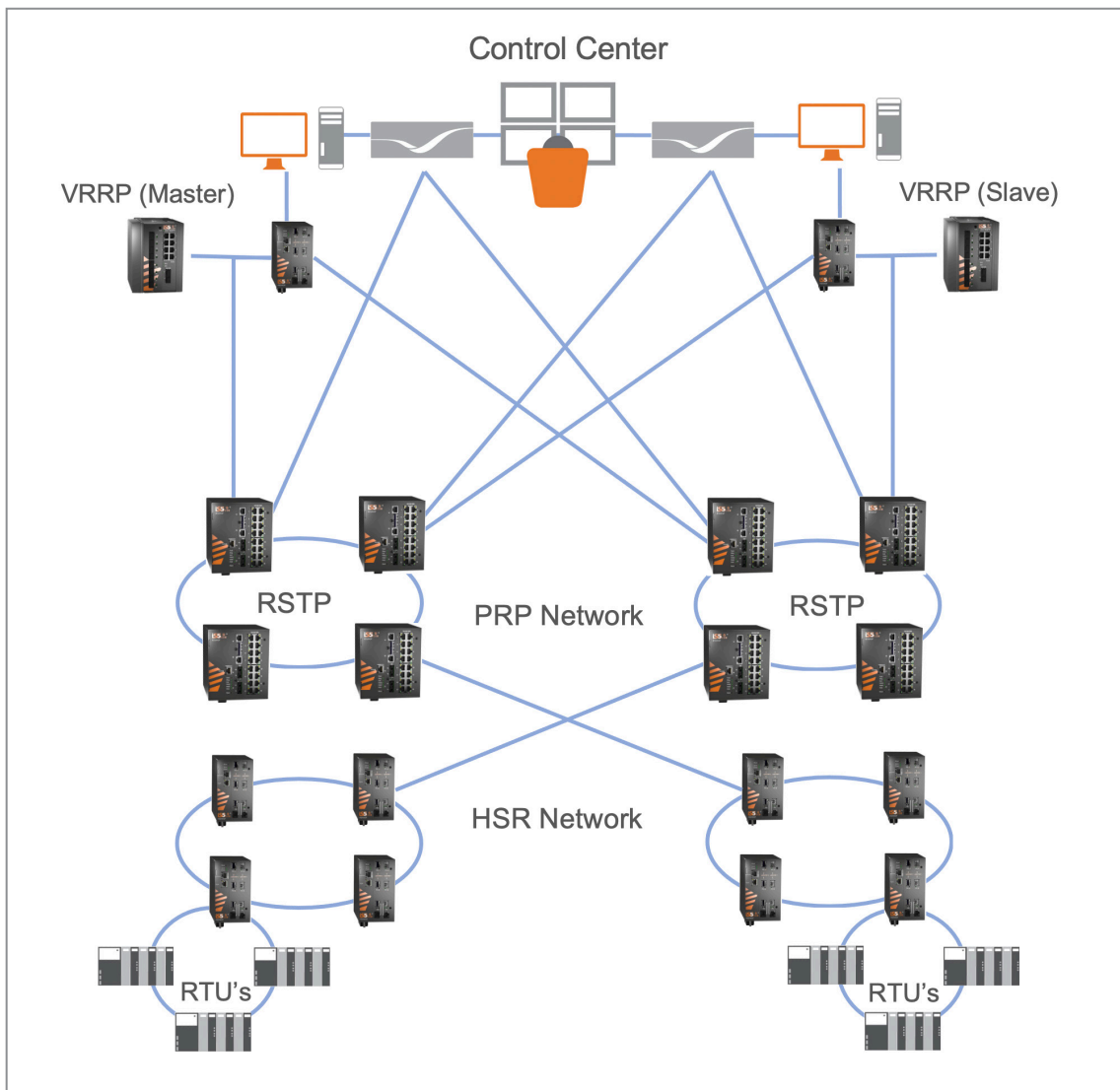
Higher reliability and resilience.

3. Enabled Access Control List (ACL) & VLAN's

ACL's for improved secure traffic flow control and segmentation for permissible devices. The implementation of VLANS also improved the network management, performance and security.

4. Secure Gateway redundancy using VRRP protocol

Increased reliability and availability of routing paths.



BENEFITS

- **Protected monitoring** and access of RTU/IED equipment by EMS/SCADA systems for analysis & response.
- **Secure Redundancy** gateways for failover protection.
- **Protection** of internal network from attacks.
- **Zero millisecond fail-over** protection through HSR/PRP/RSTP, domain separation (iS5Com patent).

ABOUT iS5 COMMUNICATIONS INC.

iS5 Communications Inc. (“iS5Com”) is a global provider of integrated services and solutions, and manufacturer of intelligent Industrial Ethernet products. Our products are designed to meet the stringent demand requirements of utility sub-stations, roadside transportation, rail, and industrial applications. iS5Com’s services and products are key enablers of advanced technology implementation such as the Smart Grid, Intelligent Transportation Systems, Intelligent Oil Field, and Internet of Things. All products have the ability to transmit data efficiently without the loss of any packets under harsh environments and EMI conditions.



SERVICES • SUPPORT • SECURITY • SOLUTIONS • SYSTEMS

For more information, visit: is5com.com

toll free: +1-844-520-0588 | fax: +1-289-401-5206 | info@is5com.com

technical support: +1-844-475-8324 | support@is5com.com

Address: 5895 Ambler Dr, Mississauga, ON L4W 5B7