


2. REFER TO THE BOMS FOR ACURATE PART SELECTION.
 1. THIS LAYOUT DRAWING IS FOR GENERAL VISUAL REFERENCE ONLY. ACTUAL PCBA COMPONENTS MAY VARY.

i5Com
 PROPRIETARY
 INFORMATION

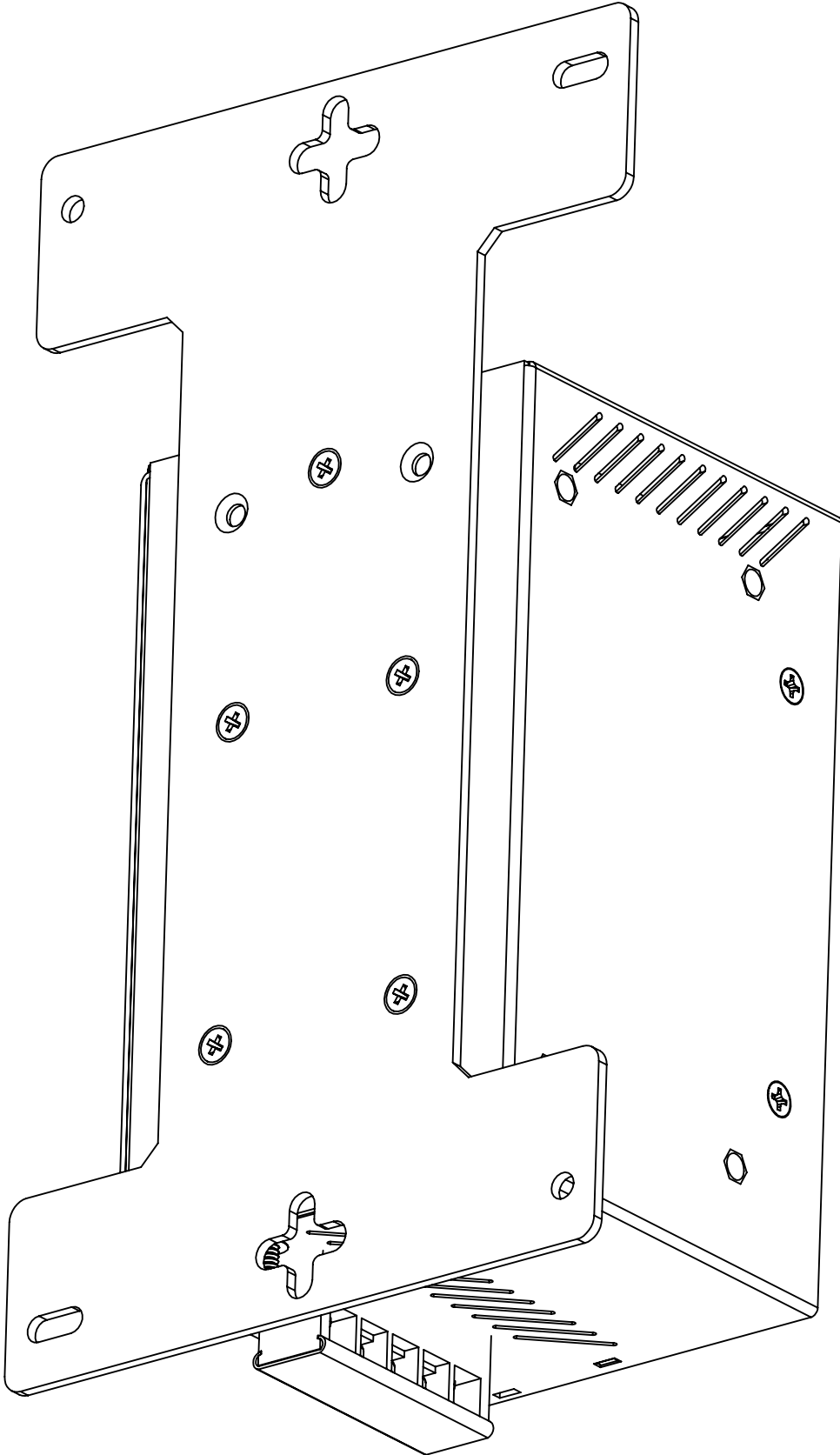
THIRD ANGLE PROJECTION

 3D MODEL FILE: STEP

SCALE: NONE
 REF #:
 SIZE: A3

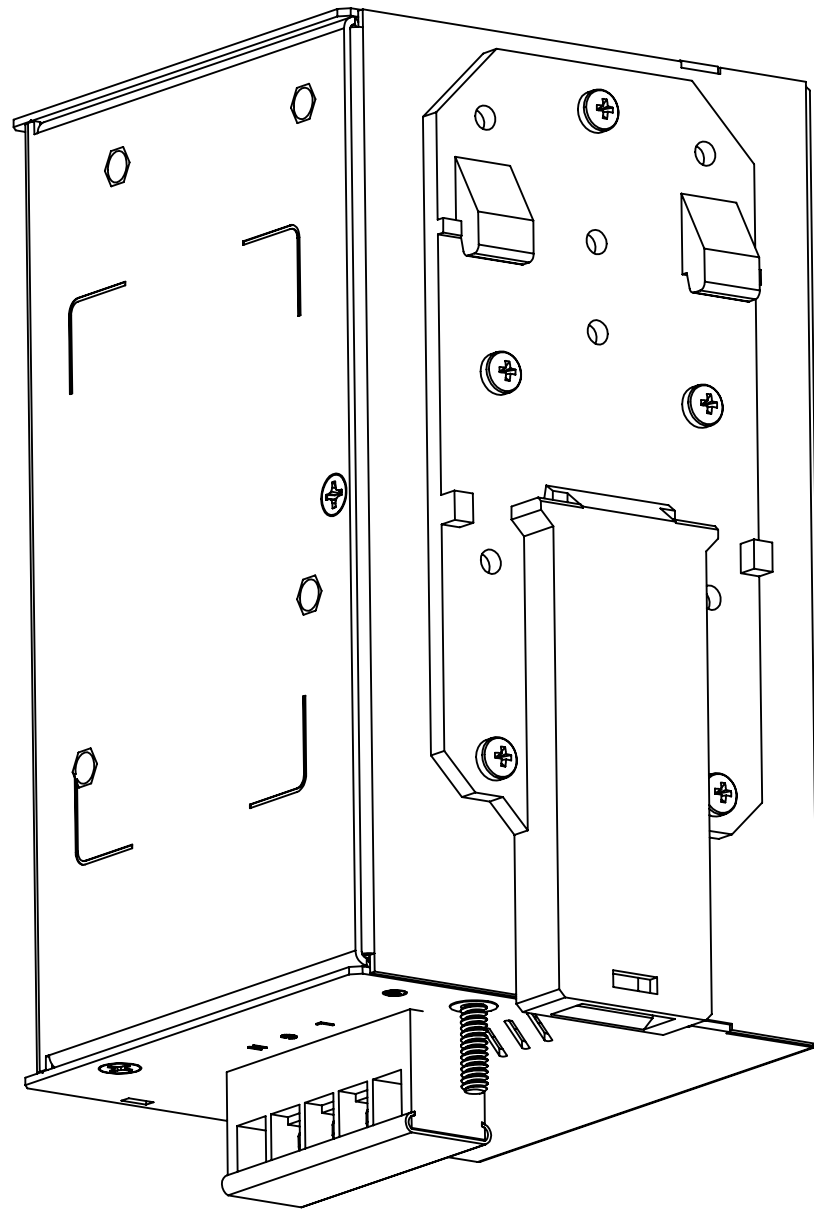
TITLE:
IMC4 Dimension Drawing

INITIAL DESIGN	R.MONTEATH	-	2018-02-06	A01
DESCRIPTION	DRAWN	CHK'D	DATE	REV

DWG NO.
 SHEET 1 OF 3
 N/A



PANEL MOUNT



DINRAIL MOUNT