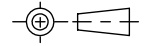


2. REFER TO THE BOMS FOR ACURATE PART SELECTION.  
 1. THIS LAYOUT DRAWING IS FOR GENERAL VISUAL REFERENCE ONLY. ACTUAL PCBA COMPONENTS MAY VARY.

**i5Com**  
 PROPRIETARY  
 INFORMATION

THIRD ANGLE PROJECTION  
  
 3D MODEL FILE: STEP

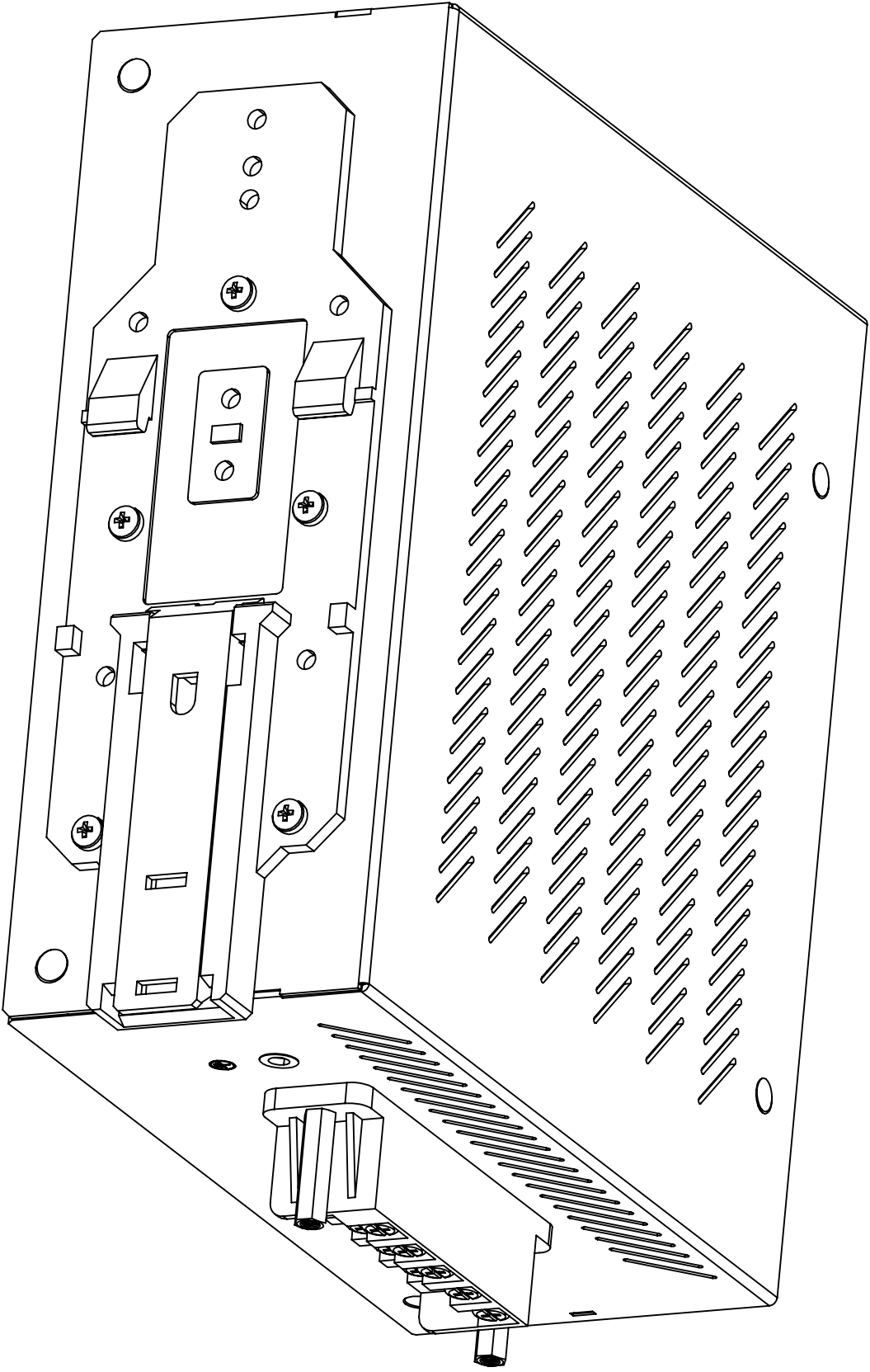
SCALE: NONE  
 REF #:  
 SIZE: A3

TITLE:  
 iES6-S

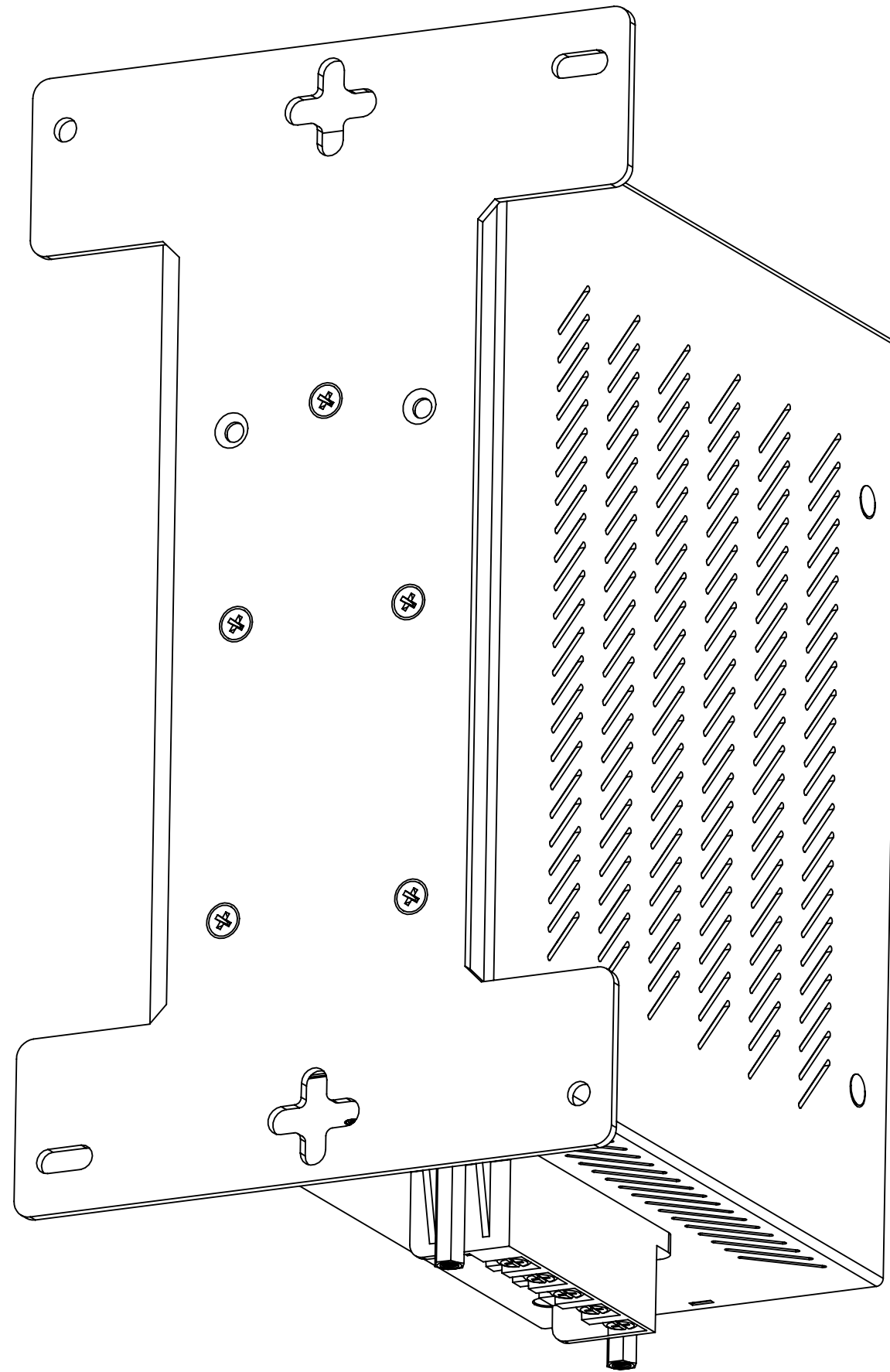
SHEET  
 1 OF 3

DWG NO.  
 DIM REF DWG

INITIAL DESIGN	R.MONTEATH	-	2018-03-28	A01
DESCRIPTION	DRAWN	CHK'D	DATE	REV



DINRAIL MOUNT



PANEL MOUNT