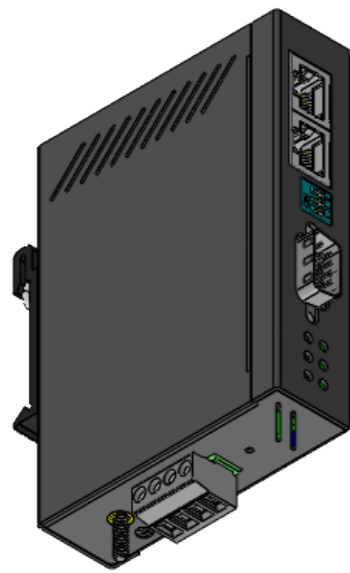
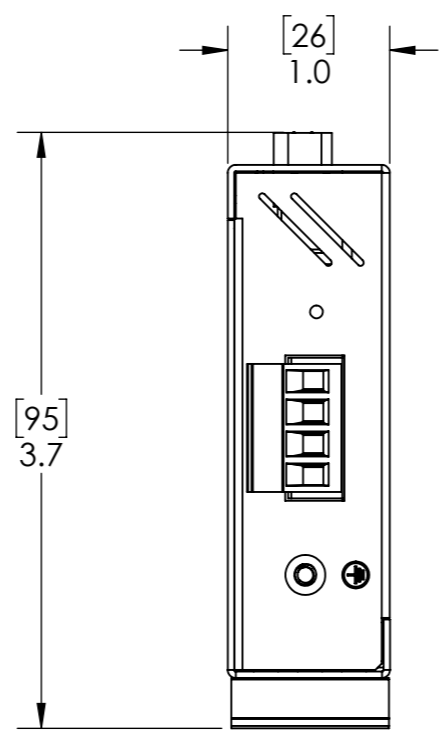


DINRAIL MOUNT SHOWN



PANEL MOUNT SHOWN



INITIAL DESIGN	R.MONTEATH	-	2017-05-16	A01
DESCRIPTION	DRAWN	CHK'D	DATE	REV
DWG NO.		IDS3-S		

iS5Com
PROPRIETARY
INFORMATION

THIRD ANGLE PROJECTION
3D MODEL FILE: STEP

SCALE: NONE
REF #:
SIZE: A3

TITLE:
IDS3-S DIMENSION DRAWING

SHEET
1 OF 1

1. THIS LAYOUT DRAWING IS FOR GENERAL VISUAL REFERENCE ONLY. ACTUAL PRODUCT DETAILS MAY VARY.