

# Quick Start Guide

# iMC2S Series

# Industrial Media Converter

## Introduction

iMC2S is an industrial grade cost-effective solution for conversion of 10/100Base-T(X) to 100Base-X SFP interface which allows extending of communication distance using optical fiber. The media converter supports MDI/MDIX auto detection for 100Base-T(X) interface, so crossover wires are not required. The iMC2S has a wide operating temperature range from -40°C to +85°C, accepts a wide input voltage range, and is suitable for harsh operating environments.

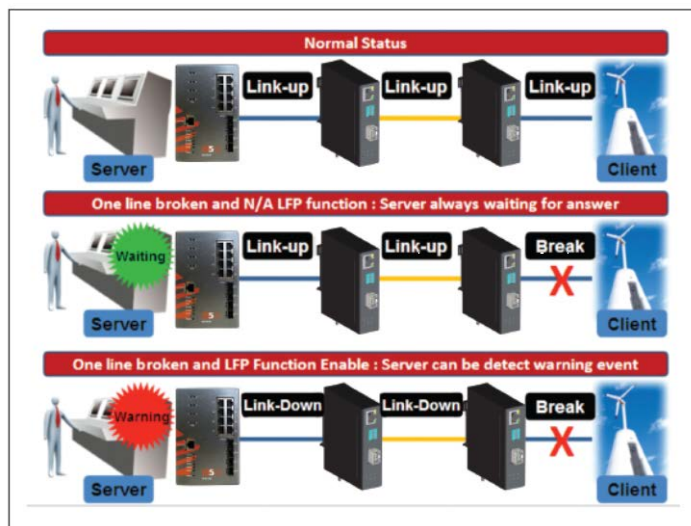
iMC2S supports Link Fault Pass-through (LFP) feature, which is used to solve problems encountered when operating traditional media converters. Such problems occur when one side of the link fails, and the other side still continues to transmit packets while waiting for a response that will never arrive. With LFP, system administrators can notice a link failure within a short period of time, minimizing the loss caused by this problem.



## Features

- > Supports 1 port 10/100Base-T(X) auto-negotiation and auto-MDI/
- > Supports Ethernet to SFP port
- > Supports LFP (Link Fault Pass-through) function
- > Supports full/half duplex operation mode
- > Supports store and forward transmission
- > Provided DIP-Switch to setting function
- > High reliability and rigid IP-30 housing
- > DIN-Rail and wall-mount enabled

## Connections of Media Converter and LFP Functions

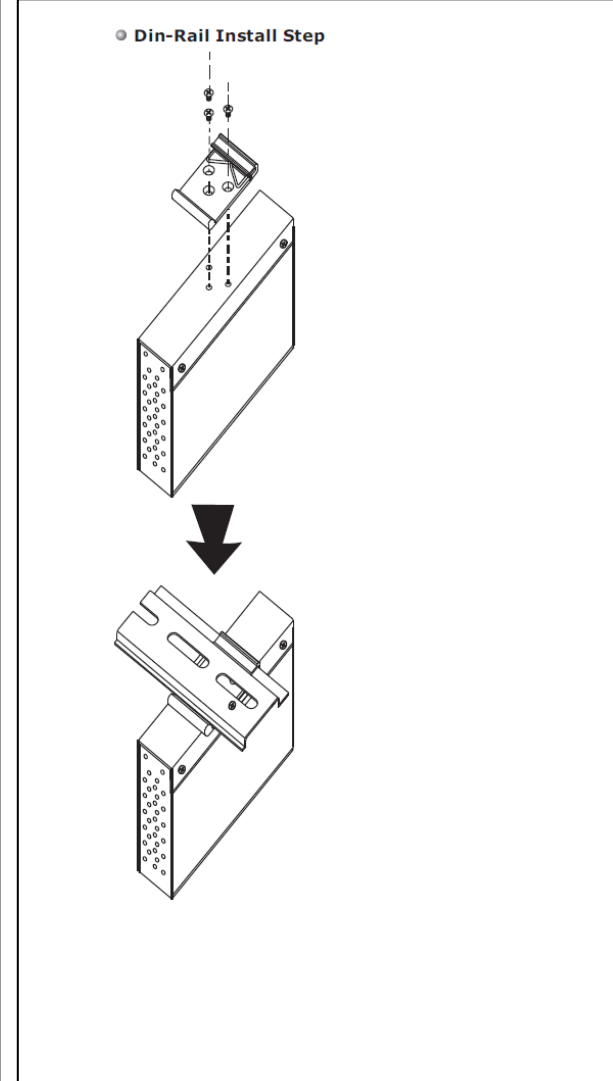


## Specifications

Technology	
Ethernet Standards	IEEE 802.3 for 10Base-T, IEEE 802.3u for 100Base-T(X) and 100Base-FX, IEEE 802.3x for Flow control
Processing	Store-and-Forward
DIP-Switch setting	DIP-Switch 1 for LFP mode selection : (ON) enable / (OFF) disable DIP-Switch 2 for Ethernet speed selection : (ON)10Mbps / (OFF) 10/100Mbps Auto-negotiate DIP-Switch 3 for Ethernet full/half duplex selection : (ON) Half-duplex / (OFF) Full/Half-Duplex Auto-negotiate DIP-Switch 4 for fiber full/half duplex selection : (ON) Half-Duplex / (OFF) Full-Duplex
Power	
Input power	Dual DC inputs 10 to 48VDC
Power consumption (Typ.)	2.2 Watts
Overload current protection	Present
Reverse polarity protection	Present on terminal block
Physical Characteristic	
Enclosure	IP-40 Galvanized Steel
Dimension (W x D x H)	26.1 (W) x 70 (D) x 95 (H)mm (1.03 x 2.76 x 3.74 inch)
Weight (g)	218 g
Environmental	
Storage Temperature	-40 to 85°C (-40 to 185°F)
Operating Temperature	-40 to 85°C (-40 to 185°F)
Operating Humidity	5% to 95% Non-condensing

Regulatory approvals	
EMI	FCC Part 15, CISPR (EN55022) class A, EN50155 (EN50121-3-2, EN55011, EN50121-4)
EMS	EN61000-4-2 (ESD), EN61000-4-3 (RS), EN61000-4-4 (EFT), EN61000-4-5 (Surge), EN61000-4-6 (CS), EN61000-4-8, EN61000-4-11
Shock	IEC60068-2-27
Free Fall	IEC60068-2-32
Vibration	IEC60068-2-6
Safety	EN60950-1
Warranty	
Warranty	5 Years

## Installation

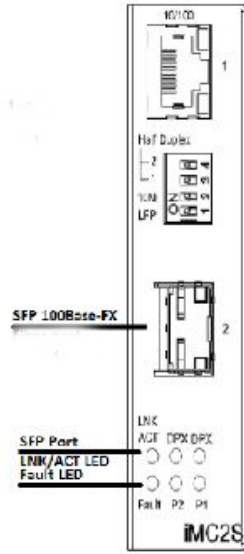


# Quick Start Guide

# iMC2S Series

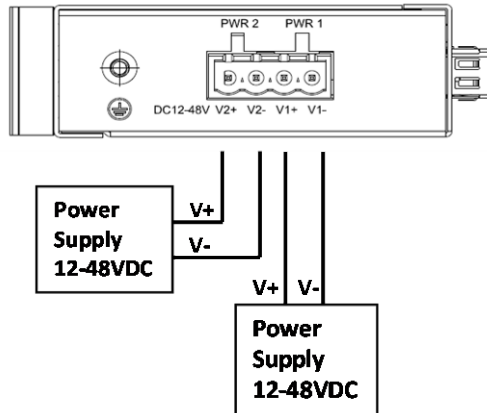
# Industrial Media Converter

## Front Panel

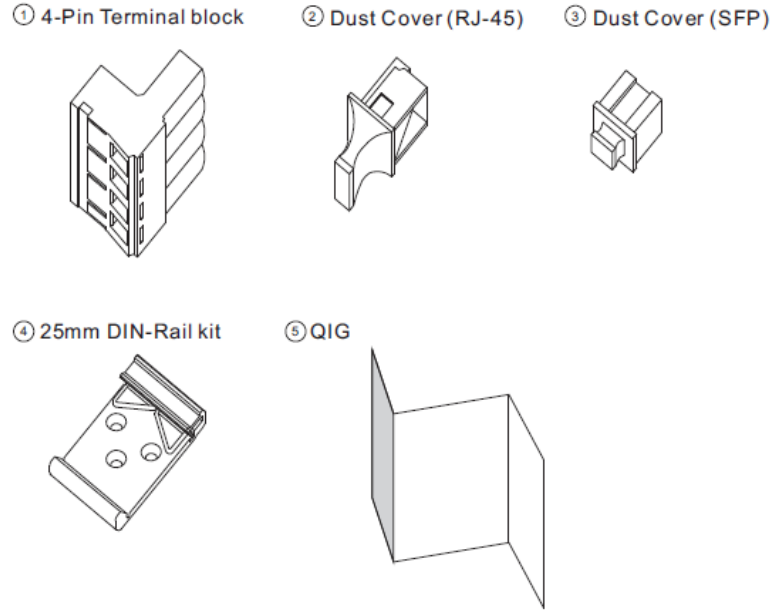


DIP-Switch	Description
1 ON	LFP mode enable
1 OFF	LFP mode disable
2 ON	Ethernet speed 10Mbps
2 OFF	Ethernet speed 100Mbps
3 ON	Full/Half-duplex Auto-negotiate
3 OFF	Ethernet Full-duplex
4 ON	Fiber Half-duplex
4 OFF	Fiber Full/Half-duplex Auto-negotiate

## Power Connection Guide



## Accessories



## Packing list

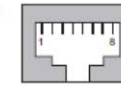
Model name	Model Description	Accessory
I MC2S-SFP	Industrial mini type Ethernet to fiber media converter with 1x10/100Base-T(X) and 1x100Base-FX, SFP socket	① X 1, ② X 1, ③ X 1, ④ X 1 ⑤ X 1

## Communication Connections

### 10/100Base-T(X) Ethernet Port Connection

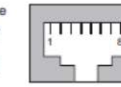
#### RJ45 (8-pin, MDI) Port Pinouts

Pin	Single
1	Tx+
2	Tx-
3	Rx+
6	Rx-

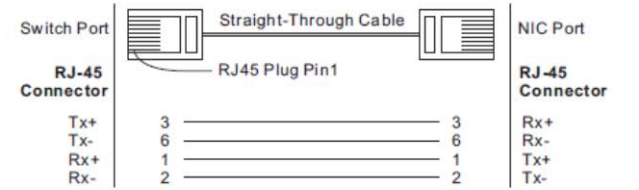


#### RJ45 (8-pin, MDI-X) Port Pinouts

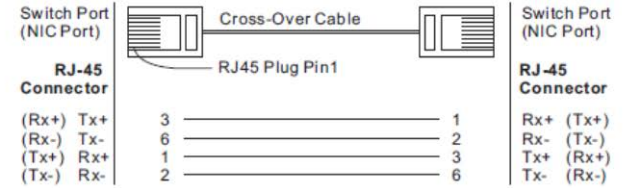
Pin	Single
1	Rx+
2	Rx-
3	Tx+
6	Tx-



#### RJ45 (8-pin) to RJ45 (8-Pin) Straight-Through Cable Wiring



#### RJ45 (8-pin) to RJ45 (8-Pin) Cross-Over Cable Wiring



### 100Base-FX SFP Port Connection

