

iWAP75

Hardened IP67 Outdoor Wireless Access Point



Product Highlights

- **High Bandwidth Wireless Connectivity**
 - o Designed for Point-to-Multi-Point wireless remote connectivity
 - o IEEE 802.11a/n/ac providing high throughput data transmission on 5GHz up to 866Mbps
 - o 2 x 2 MIMO antennas with high gains
- **Hardened grade with IP67 protection**
 - o Wide operating temperature range for extreme environments
 - o Fanless and ruggedized outdoor IP67 enclosure
- **Comprehensive and Advanced Software Features**
 - o Static routing, RIPv1 & v2 and OSPFv2
 - o Built in Stateful Firewall and RADIUS for security control
 - o RF strength LEDs and Bandwidth Tester to ease installation effort
- **Accessories**
 - o 2 ethernet cable grommets included for different sized ethernet cable
 - o Optional outdoor UV protected shielded ethernet cable available

OVERVIEW

The iWAP75 is a hardened IP67 outdoor wireless access point (WAP) providing high speed wireless connectivity for harsh and demanding environments. Comprised of a high-power, long-range IEEE 802.11ac MIMO wireless radio with gigabit IEEE 802.3at PoE connectivity, the iWAP75 is hardened against extreme temperatures and water ingress.

iWAP75 delivers the power and range (up to 3 miles) to wirelessly connect remote networks, or extend existing networks in an efficient and cost-effective way. It supports 5GHz 802.11a/n/ac for local device access like laptops, wireless IP cameras, or mobile devices and for long distance Point-to-Point and Point-to-Multi-Point data transmission. Maximum transmission speeds are up to 866Mbps.

SOFTWARE FEATURES	
INTERFACE	<ul style="list-style-type: none"> Web Browser SNMP v1/v2/v3
MANAGEMENT	<ul style="list-style-type: none"> Firmware and configuration upgrade and backup via Web Browser Supports DHCP Server/Client/Relay DNS cache and Web Proxy System health monitoring including temperature and voltage Local system log, e-mail and remote log service SNTP client Useful tools such as Bandwidth Test, E-mail, Ping, Traceroute, Packet Sniffer and Traffic Generator
WIRELESS	<ul style="list-style-type: none"> Encryption: WPA, WPA2, WEP, AES Dynamic Frequency selection Proprietary Nstreme and Nv2 protocols for long distance transmission
SECURITY	<ul style="list-style-type: none"> RADIUS client Powerful Firewall: Stateful packet inspection, Layer-7 protocol detection, Peer-to-peer protocols filtering Traffic Classification by: <ol style="list-style-type: none"> Source MAC address IP addresses (network or list) and address types (broadcast, local, multicast, unicast) Port or port range IP protocols Protocol options (ICMP type and code fields, TCP flags, IP options and MSS) Interface the packet arrived from or left through Internal flow and connection marks DSCP byte Packet content Rate at which packets arrive and sequence numbers Packet size Packet arrival time
ROUTING	<ul style="list-style-type: none"> Static routing, RIPv1 & v2 and OSPFv2 Bidirectional Forwarding Detection Prefix List to filter and control the routing table

Specifications

ACCESSORIES

STANDARD ETHERNET GROMMET (INCLUDED)



1 PC. INCLUDED. DESIGNED FOR STANDARD ETHERNET CABLE OF APPROXIMATELY 5.2 TO 5.75MM (.2 TO .23IN) IN DIAMETER

OVERSIZED OUTDOOR ETHERNET GROMMET (INCLUDED)



1 PC. INCLUDED. DESIGNED FOR OVERSIZED OUTDOOR CABLES, WHICH HAVE A DIAMETER OF 7.5MM (0.3IN)

CABLES

CABLE 25	25 Foot CAT6 Shielded Outdoor Patch Cable w/ Shielded Metal Connectors
CABLE 50	50 Foot CAT6 Shielded Outdoor Patch Cable w/ Shielded Metal Connectors
CABLE 100	100 Foot CAT6 Shielded Outdoor Patch Cable w/ Shielded Metal Connectors

HARDWARE SPECIFICATIONS

TECHNOLOGY

STANDARDS	IEEE 802.3 10BASE-T IEEE 802.3u 100BASE-TX IEEE 802.3ab 1000BASE-T IEEE 802.11a/n/ac Wireless LAN
PERFORMANCE	Wireless transmission rate 5GHz: 11a: 108Mbps, 11n: 300Mbps, 11ac: 866Mbps Ethernet data rate: Up to 540Mbps (LAN to wireless 11ac)
WIRELESS	RF channels: 2 Non-overlapping Frequency range: 5GHz: 5150-5250MHz and 5725-5850MHz Channel width: 5GHz: 10MHz, 20MHz, 40MHz, 80MHz Data security: 256-bit AES-CCM

TRANSMIT POWER AND RECEIVE SENSITIVITY 5GHZ	Transmit Power (dBm)		Receive Sensitivity
	6Mbit/s	31	-96
54Mbit/s	27	-81	
MCS0	30	-96	
MCS7	27	-77	
MCS9	22	-72	

POWER

INPUT	48VDC PoE Including Passive PoE, Telecom PoE, 802.3af and 802.3at
POWER CONSUMPTION	13W Max

Specifications

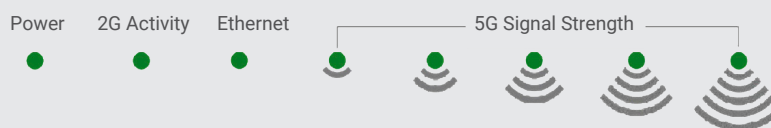
PHYSICAL

CASING	UV Protected Polystyrene case with internal metal enclosure IP67
DIMENSIONS (W X H X D)	270 x 301.7 x 76mm (10.63" x 11.88" x 3")
WEIGHT	1.59 kg (3.5 lbs.)
INSTALLATION TYPE	Pole/Wall Mounting

INTERFACE

ETHERNET PORT	10/100/1000BASE-TX PoE
---------------	------------------------

LED INDICATORS



ENVIRONMENTAL

OPERATING TEMP.	-40 to 75°C (-40 to 167°F)
STORAGE TEMP.	-40 to 85°C (-40 to 185°F)
AMBIENT RELATIVE HUMIDITY	5% to 95% (non-condensing)
WIND LOAD	132N @200km/h/h
WIND SURVIVABILITY	200km/h

REGULATORY

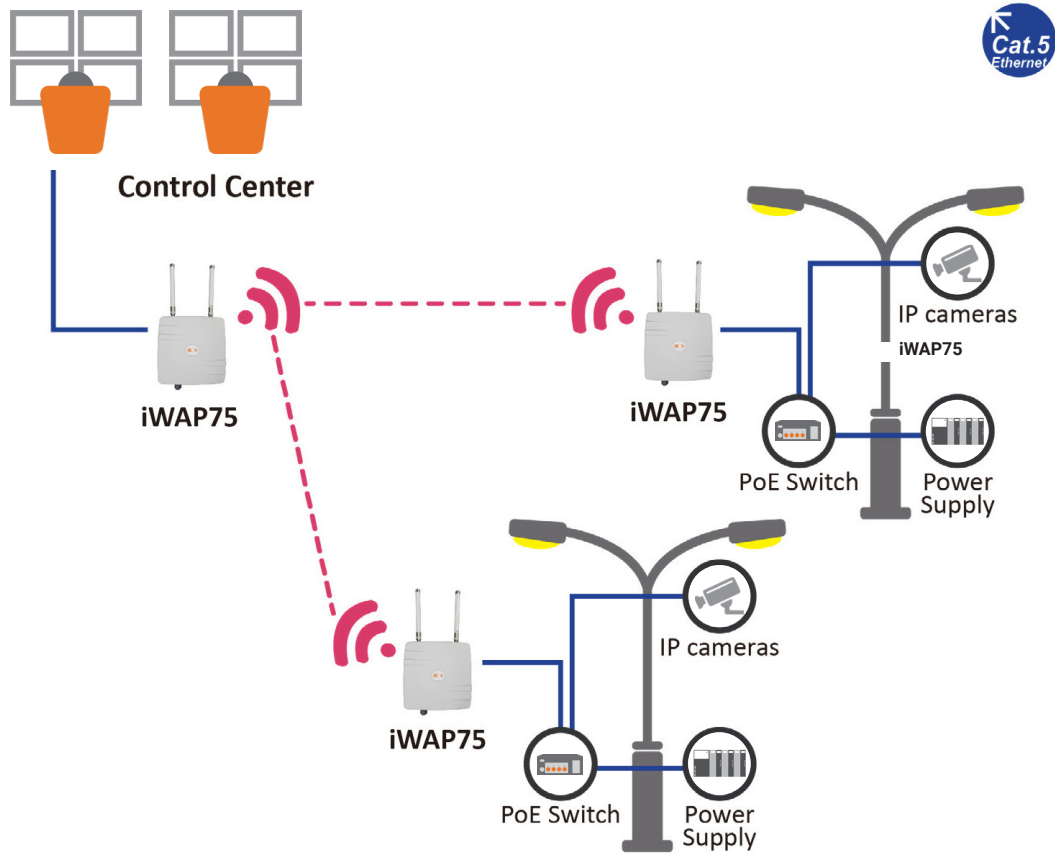
ISO	Manufactured in an ISO 9001 facility
EMI	FCC Part 15B Class A FCC Part 15C
ENVIRONMENTAL TEST COMPLIANCE	IEC 60068-2-6 Fc (Vibration Resistance) FED STD 101C Method 5007.1 (Free fall w/package)

ORDERING INFORMATION

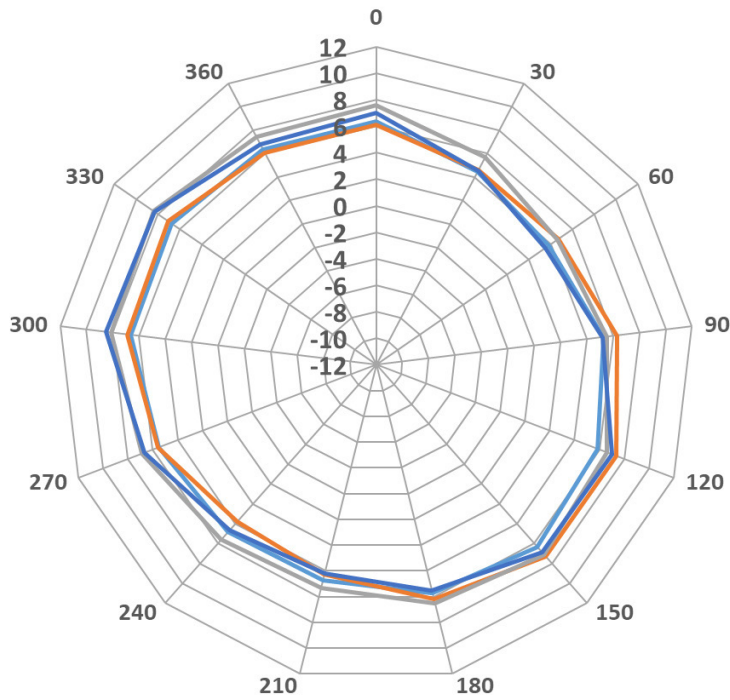
MODEL

iWAP75	Hardened IP67 outdoor wireless access point with (2) 5GHz/8dBi Omni antennas
--------	--

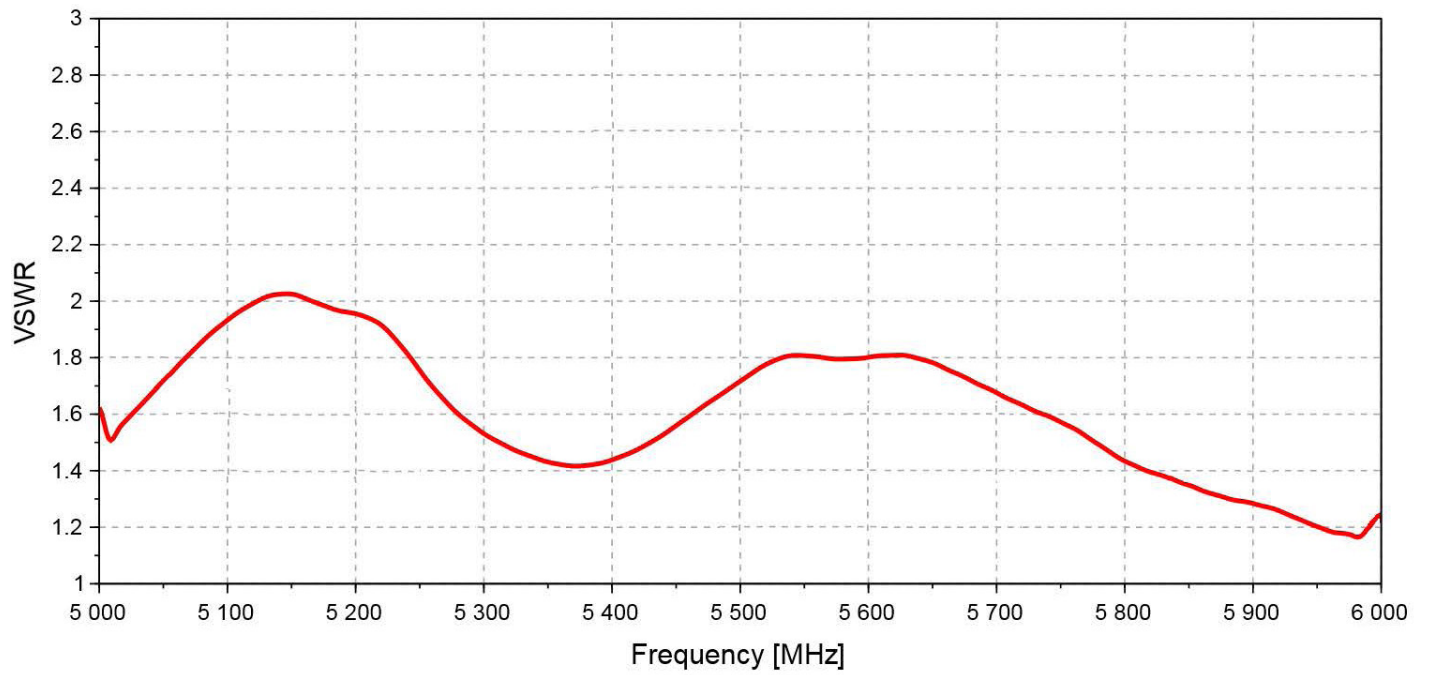
APPLICATION DIAGRAM



MEASURED APPROX. GAIN (dBI) PATTERN IN AZ PLANE



5 GHz OMNIDIRECTION ANTENNA: MEASURED VSWR





For more information, visit: is5com.com

toll free: +1-844-520-0588 | fax: +1-289-401-5206 | info@is5com.com

technical support: +1-844-475-8324 | support@is5com.com

5895 Ambler Drive. Mississauga, Ontario. L4W 5B7, Canada